

# WARNING!!

Children have died from furniture tipover. Tip restraints have been included with this product; you must install the tip restraints according to these instructions in order to minimize the risk of

NEVER allow children to climb or hang on furniture , including drawers or cabinet doors.

In addition to installing the restrains. To help prevent tip-over

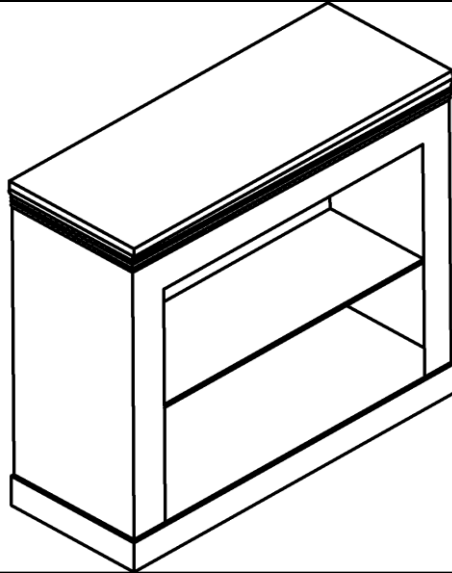
1. **NEVER** put a **TV** or other heavy objects on top of this product”.
2. Do not stand on the products.

| <b>⚠ WARNING</b>  |  |
|---|--|
|  | <p><b>Children have died from furniture tipover. To reduce the risk of furniture tipover:</b></p> <ul style="list-style-type: none"><li>• ALWAYS install tipover restraint provided.</li><li>• NEVER put a TV on this product.</li><li>• NEVER allow children to stand, climb or hang on drawers, doors, or shelves.</li><li>• NEVER open more than one drawer at a time.</li><li>• Place heaviest items in the lowest drawers.</li><li>• Do not defeat or remove the drawer interlock system.</li></ul> |
|  | <p><i>This is a permanent label.<br/>Do not remove!</i></p>  |

# Assembly Instructions

**Caution : You must read this before you proceed**

## **BOOKSHELF**

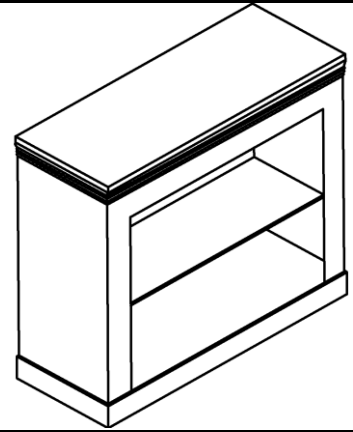
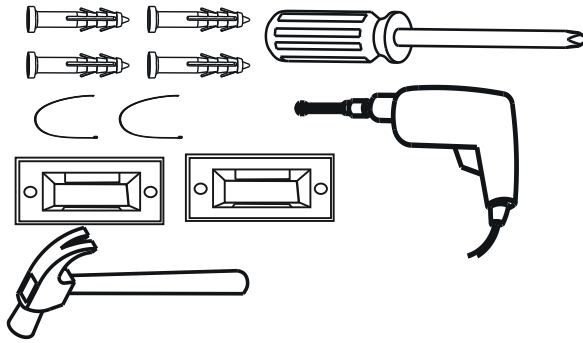


### Hardware

| Label | Picture | Description                   | QTY |
|-------|---------|-------------------------------|-----|
| ①     |         | Screwdriver<br>(Not Provided) | 1   |
| ②     |         | Hammer<br>(Not Provided)      | 1   |
| ③     |         | Power Drill<br>(Not Provided) | 1   |
| ④     |         | Bracket<br>(45mmx20mm)        | 2   |
| ⑤     |         | Wall Plug Screw               | 4   |
| ⑥     |         | Wall Plug                     | 4   |
| ⑦     |         | Restraint Strap               | 2   |

# Assembly Preparation

Before Beginning Assembly:



- Read instructions, cover to cover-



- Have 2 adults on hand for assembly-



- Do not assemble on flooring or carpet-



- Assemble on a clean non-marring surface (packing foam)-



- Save all packaging until finished-

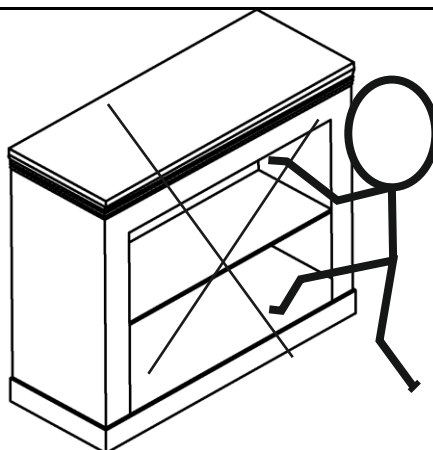
# Tipover Restraint Device Installation Instruction

WARNING 

Serious or fatal crushing injuries can occur from tripping furniture.

To help prevent tip-over : **ALWAYS** secure this furniture to the wall using tipover device.

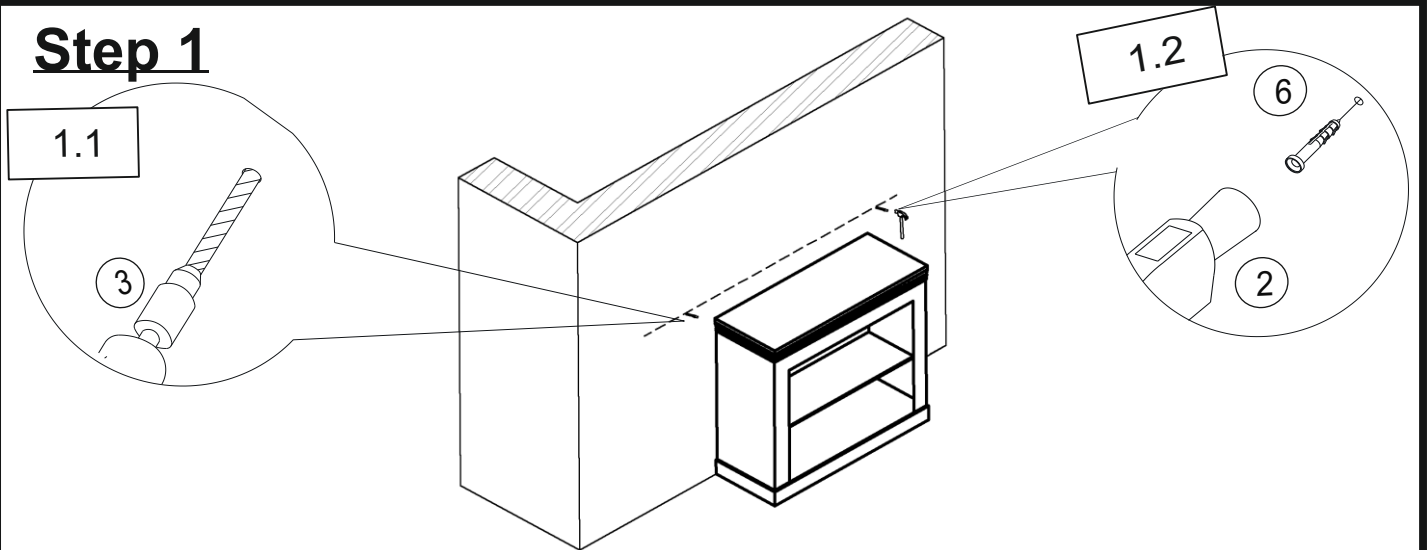
See products instruction for more ways to help prevent furniture tip-over.



## Usage For Tipover Restraint Device:

To secure Bookshelf against wall, attach two Brackets (④) on wall and 2 are already attached to the products, use restraint strap(⑦)to connect the brackets (④)

## Step 1



1.1) Drill two holes on wall at same height as Bracket (④) on Bookshelf with Power Drill (③).

**You can mark these points in the ways as below:**

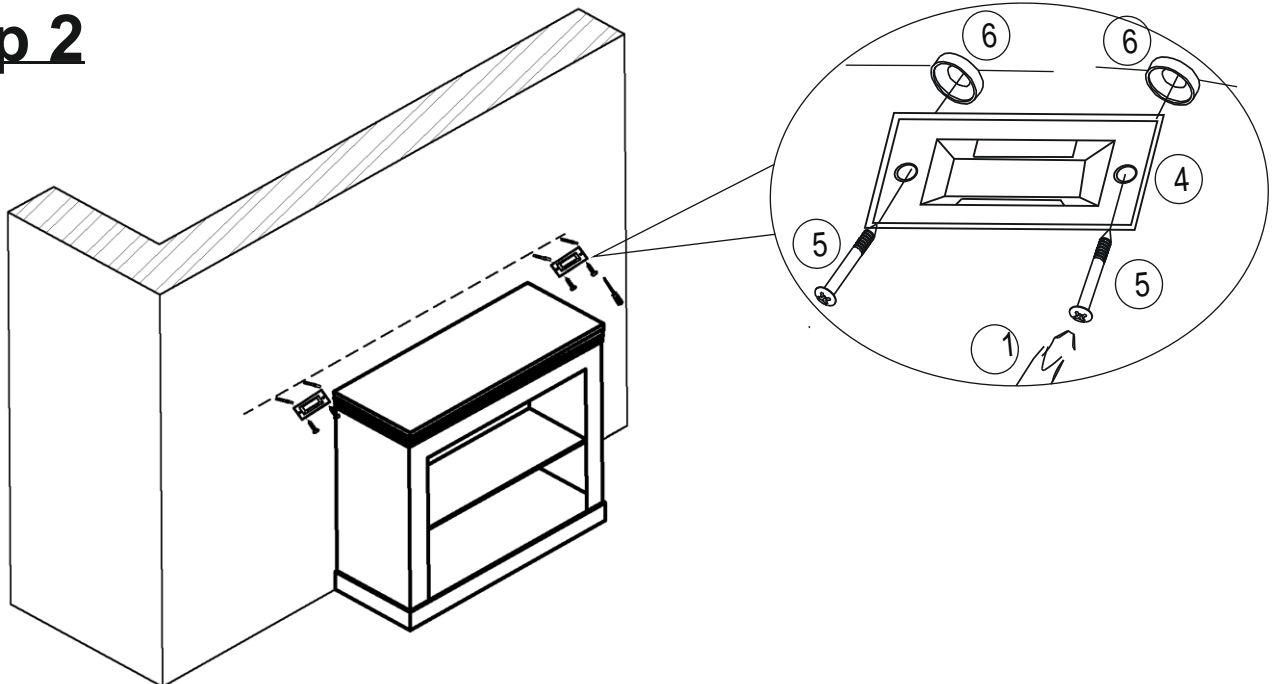
1) Move the Bookshelf back to the wall. Mark two point same height as Bookshelf on the wall.

**Note : The brackets need to be secured to solid ,load bearing surface. Please use a stud finder (not supplied) if needed to locate the wall frame.**

2) Measure the height of the Brackets (④) with ruler/measuring tape and mark on wall to keep them accurate and same height.

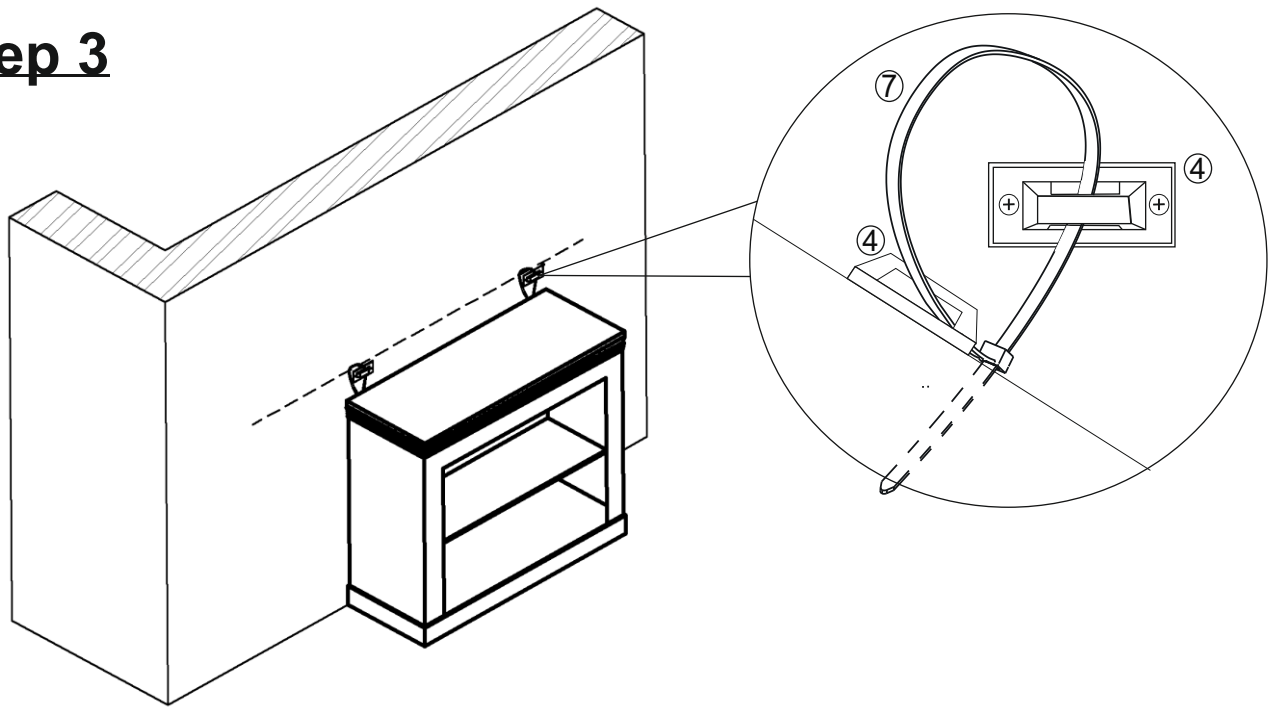
1.2) Insert wall plugs (⑥) into drilled holes on wall with Hammer (②).

## Step 2



Attach Brackets (④) to Wall Plugs (⑥) using Wall Plug Screws (⑤) with Screwdrivers (①)

### **Step 3**














Move Bookshelf to the wall. Pull the Restraint Straps (7) through the Brackets (4) on the wall and Bookshelf one by one , and pull the Restraint Straps (7) tight.

This Bookshelf is now is now ready to use.

**Caution: This Bookshelf can only be used on flat , level surface.**

## Care And Maintenance

- ✓  Furniture may scratch floors. We recommend using furniture pads to protect your floors.
  - ⊗  Do not put hot items directly on furniture surface.
  - ⊗  Do not clean furniture with harsh cleansers or polish.
  - ⊗  Do not place furniture under direct sunlight.
  - ⊗  Do not place furniture near heating or cooling vents.
  - ⊗  Do not write on furniture without a padded barrier to protect the surface.
  - ⊗  Do not place furniture outside . For indoor use only.
  - ⊗  Not for commercial use . For residential use only.
  - ⊗  Stains may be removed with mild soap solution and damp cloth.
  - ⊗  Children should not climb or jump on the furniture.
- ✓  Dust and pick-up spills using a clean, non-colored lint-free cloth.