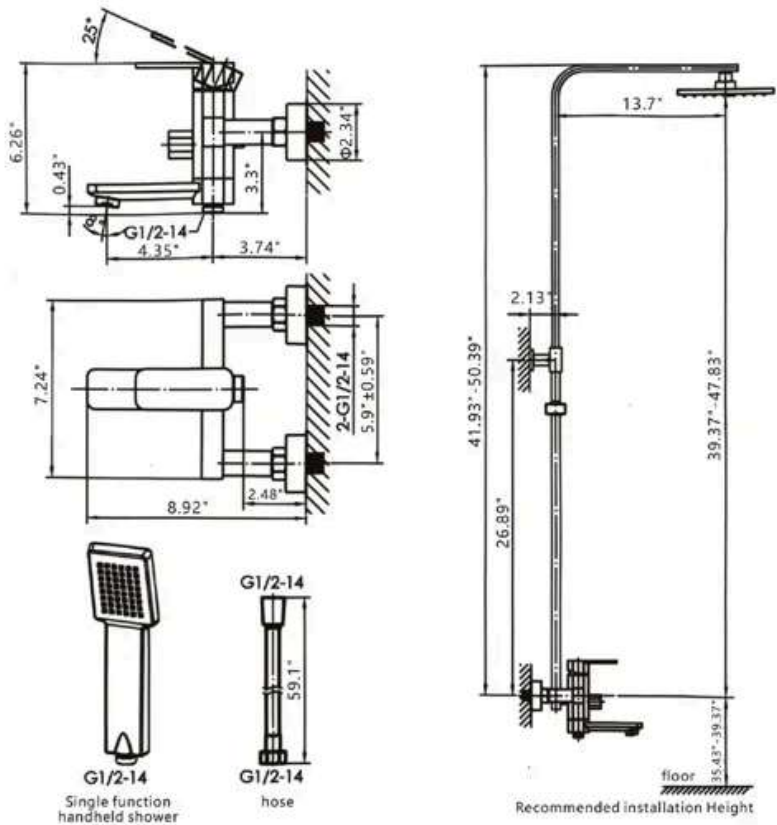


# PRODUCT DIMENSION



unit: in