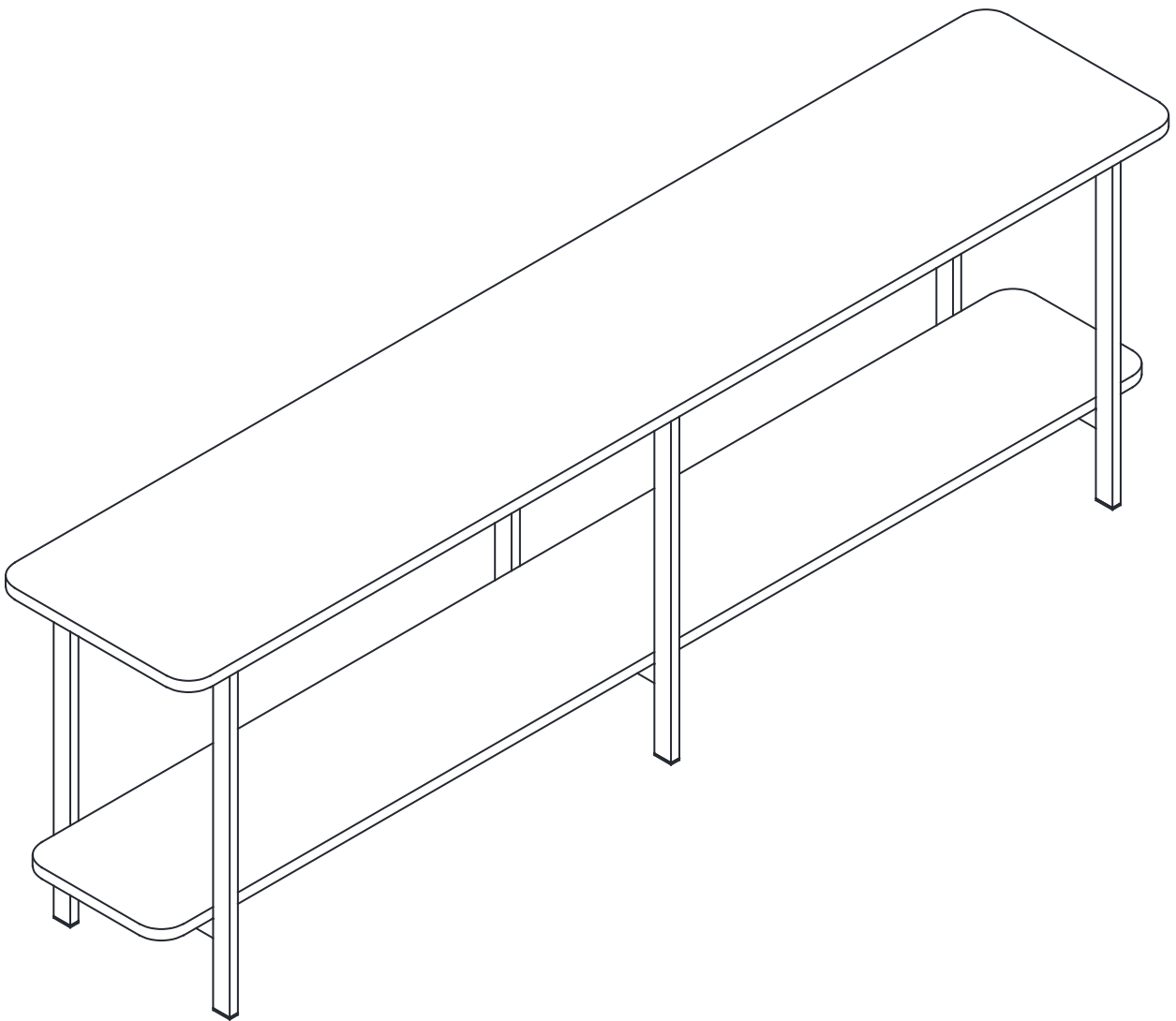


Owner Manual



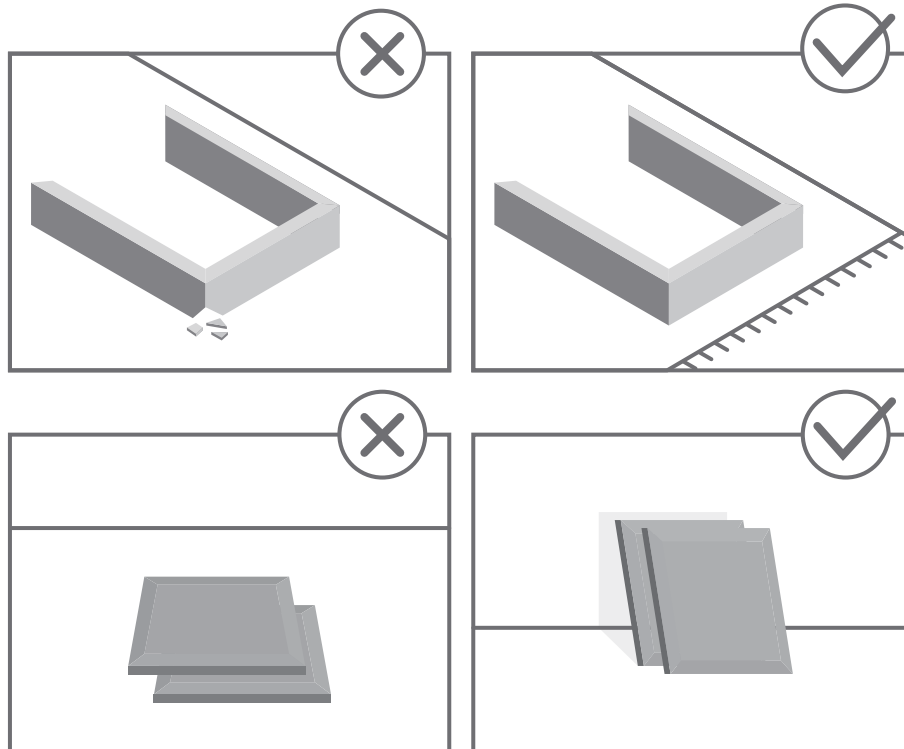


STOP!

Before beginning the assembly process, ensure all boxes and parts have been delivered.

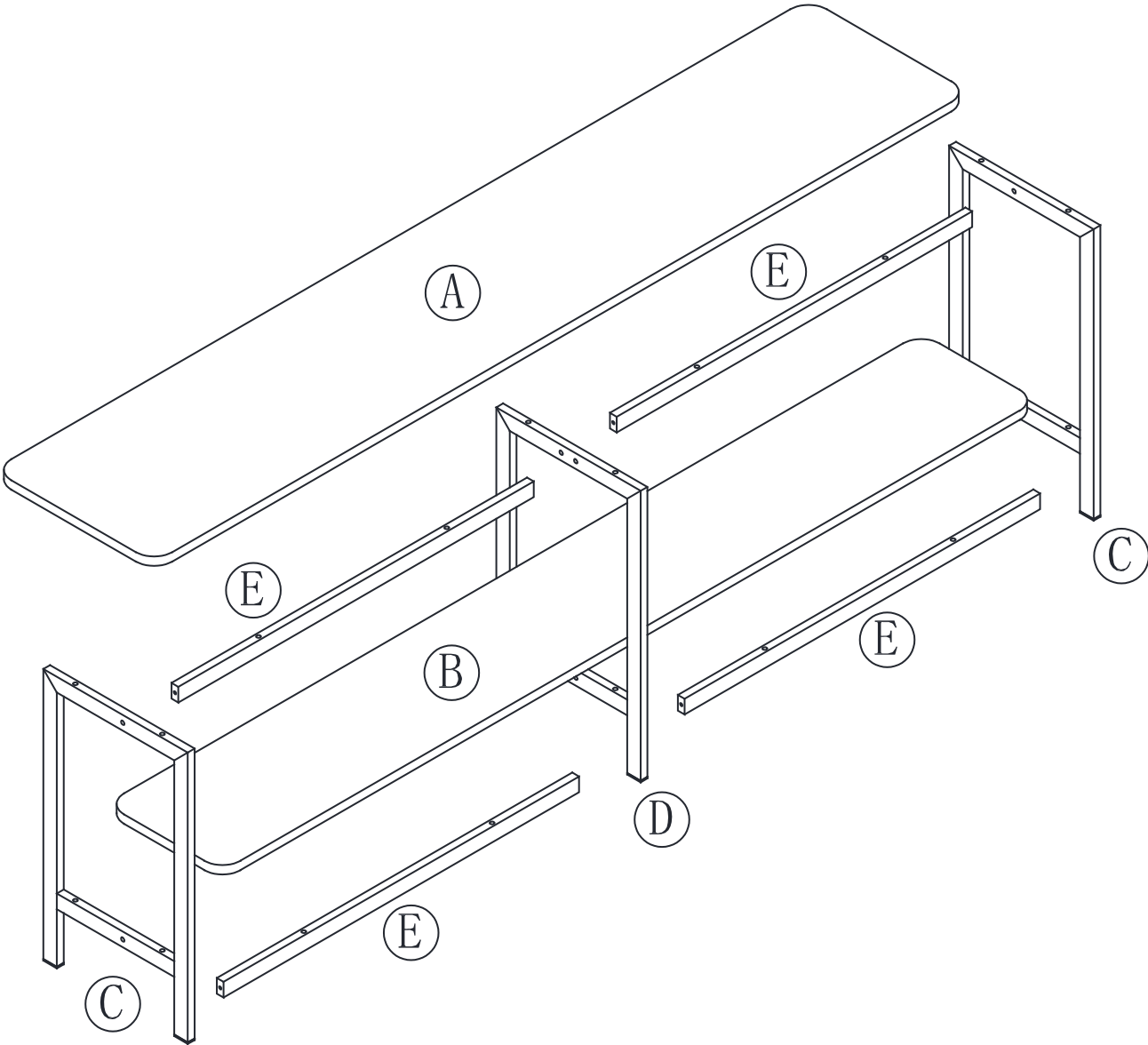
FOR BEST RESULTS:

- Do not throw away packaging materials until assembly is complete.
- Assemble item on a soft surface, such as cardboard or carpet, to protect finish.
- Proper assembly requires two people.



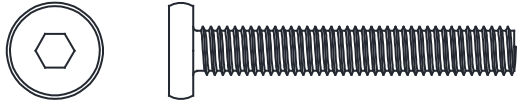
Included in this package:

- A. Top Shelf (1)
- B. Middle Shelf (1)
- C. End Frames (2)
- D. Middle Frame (1)
- E: Connecting Tubes (4)



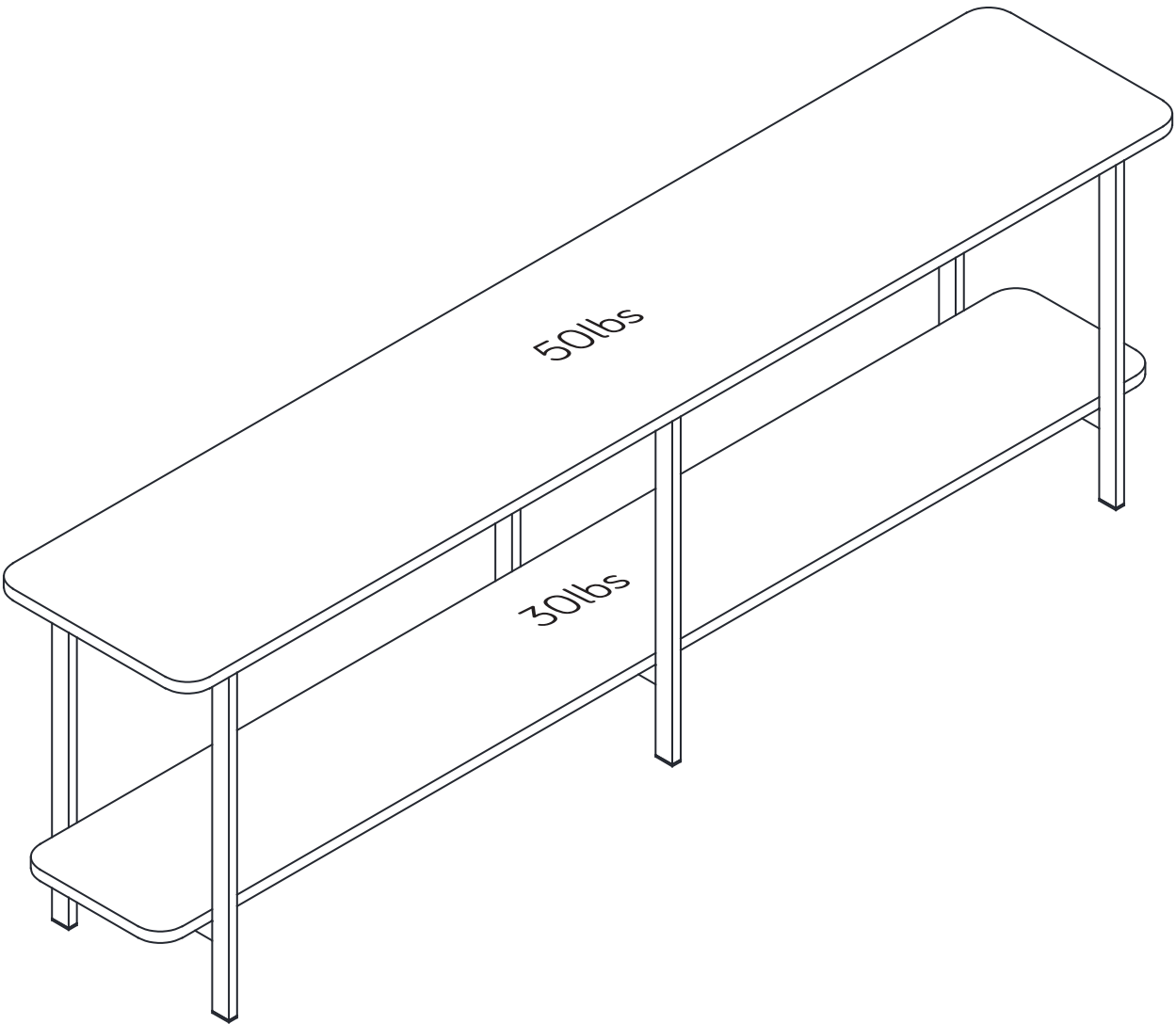
Hardware Identification

① HEX HEAD SCREW
M6*40mm - 28pcs



② L-WRENCH- 1pc

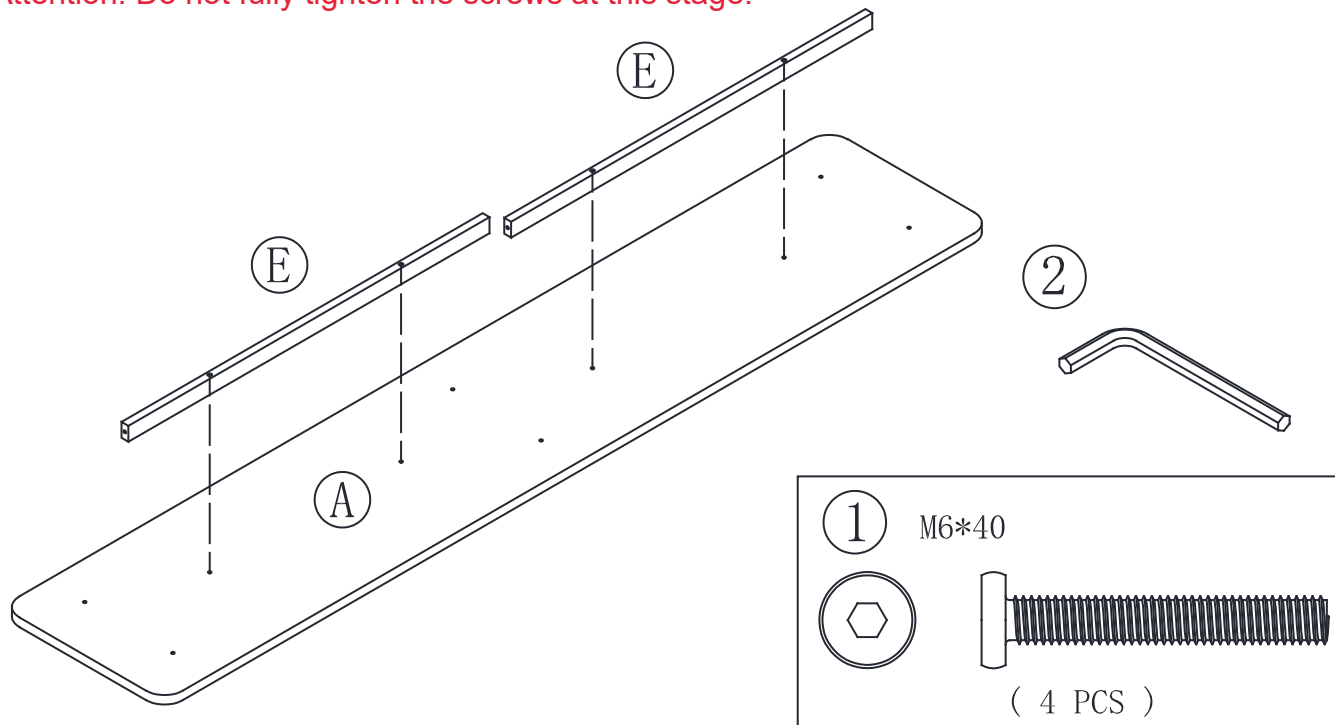




Step 1

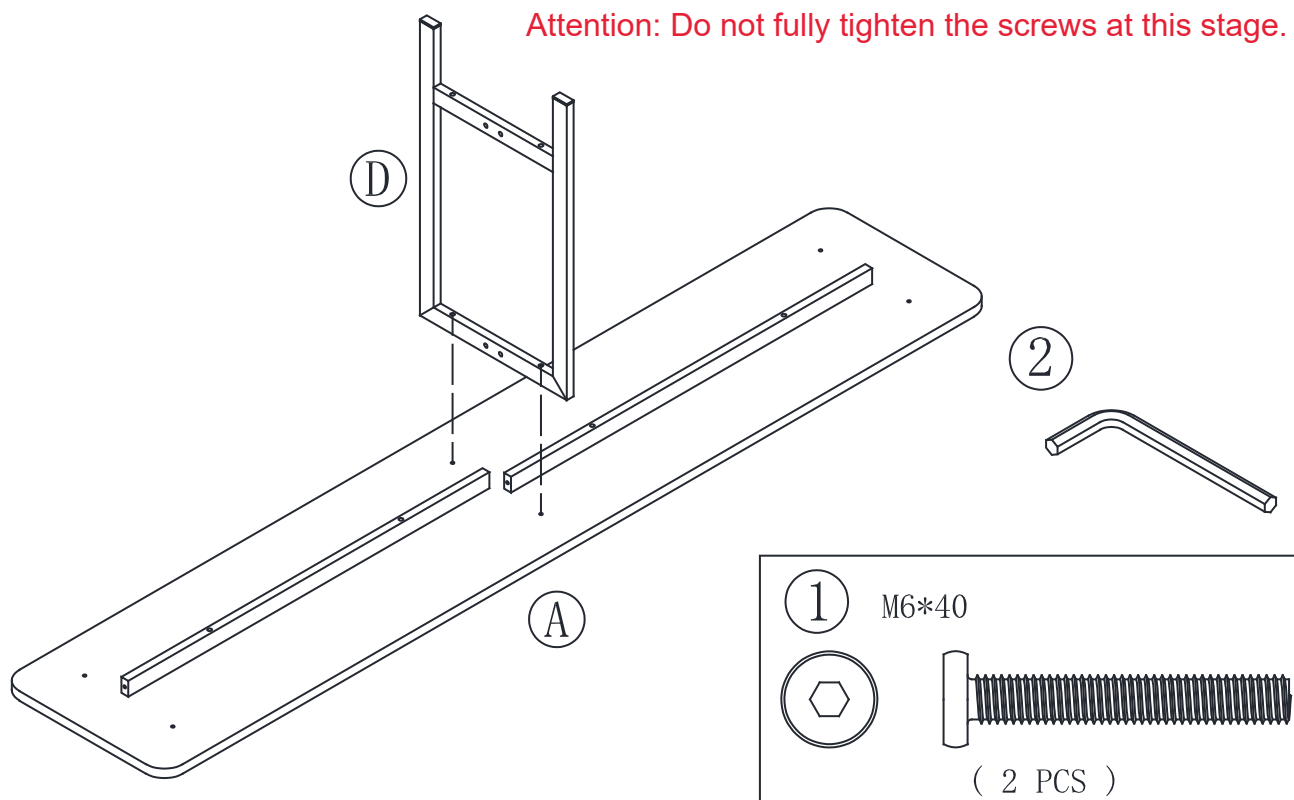
- ◆ Fasten the two Connecting Tubes (E) onto the Top Shelf (A) by using four screws (1).

Attention: Do not fully tighten the screws at this stage.



- ◆ Fasten the Middle Frame (D) onto the Top Shelf (A) by using two screws (1).

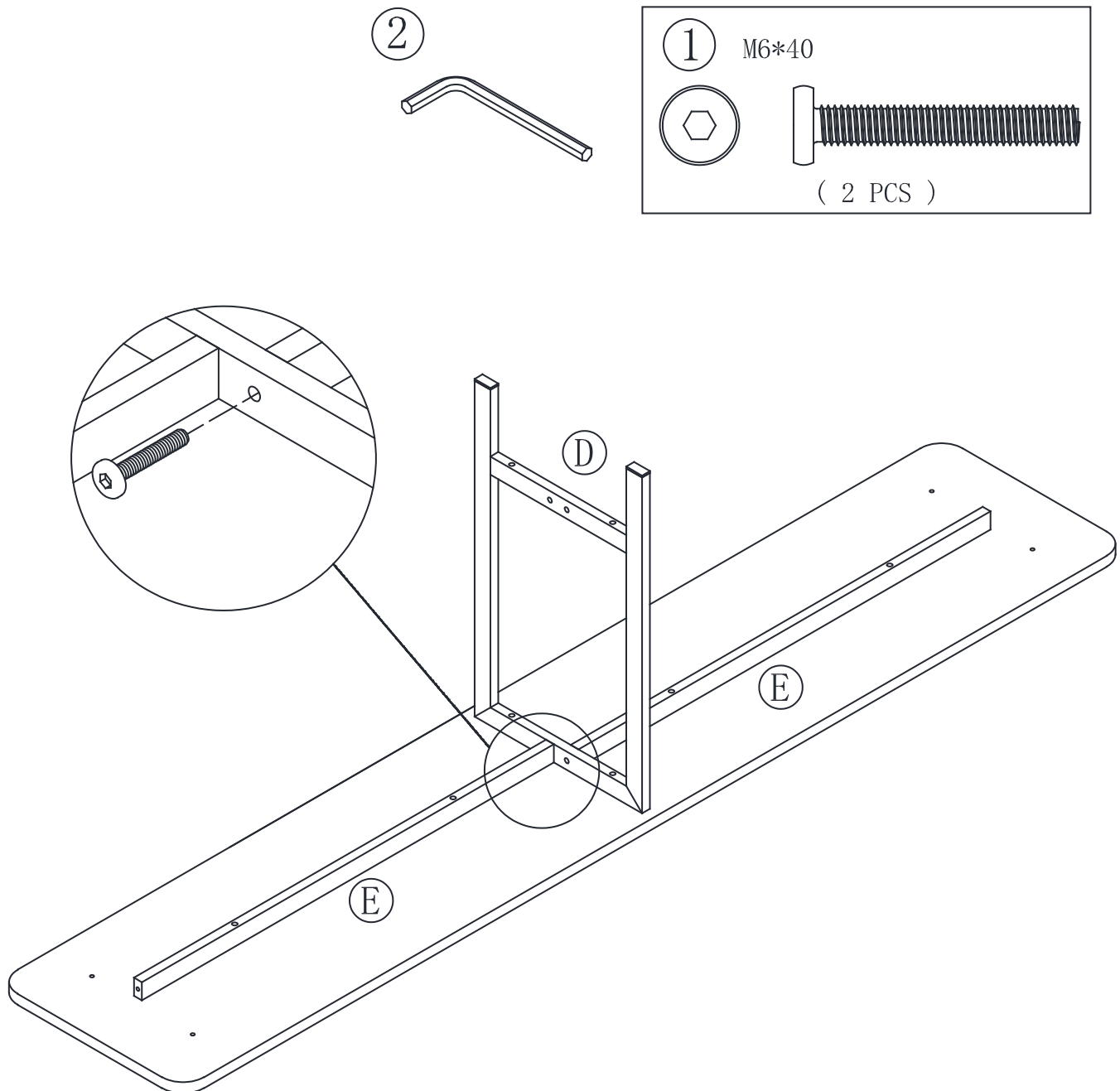
Attention: Do not fully tighten the screws at this stage.



Step 2

- ◆ Use two screws (1) to pass through the Middle Frame (D) and fasten it on the Connecting Tubes (E).

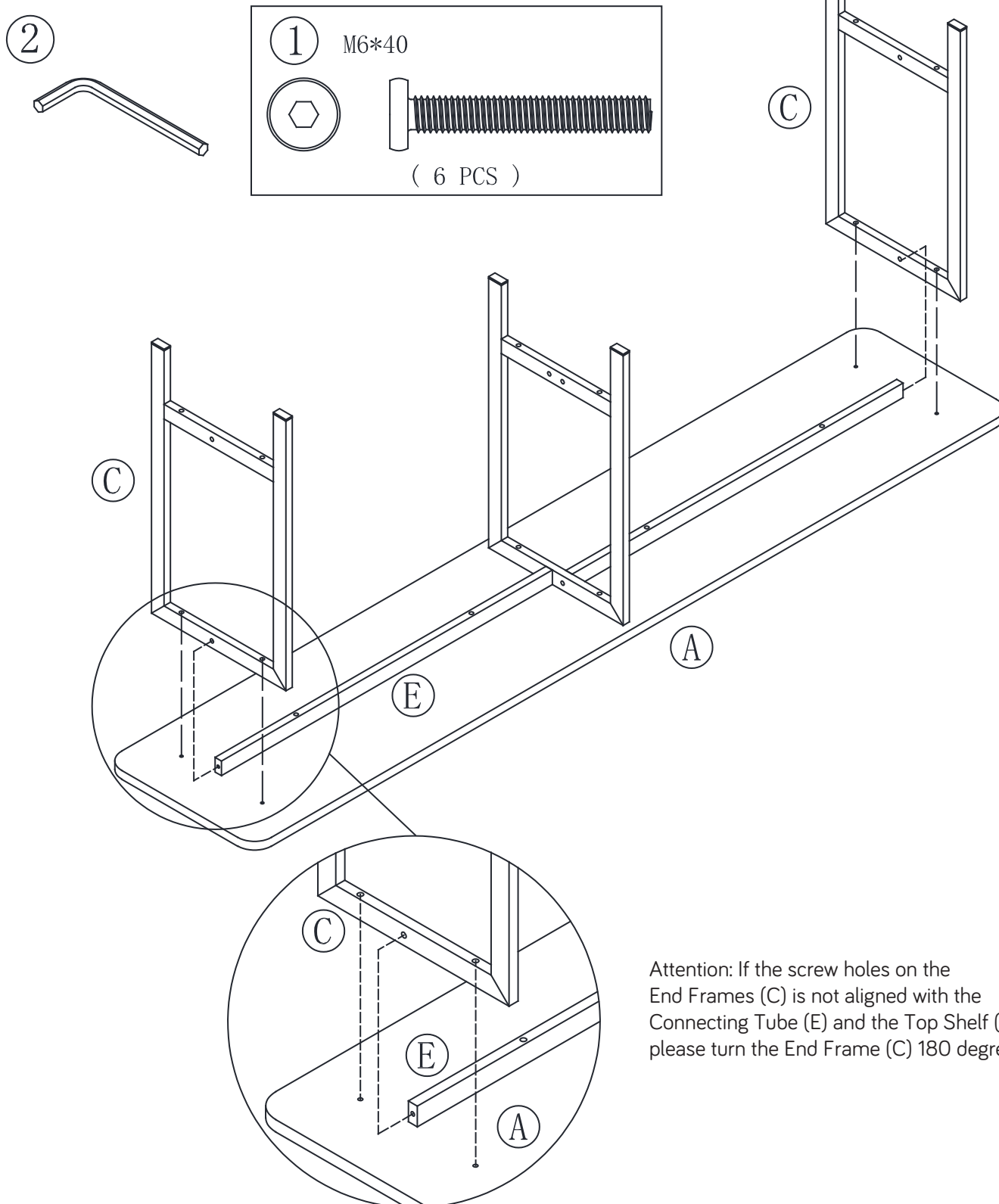
Attention: Do not fully tighten the screws at this stage.



Step 3

- ◆ Use six screws (1) to pass through the End Frames (C), fasten it on the Connecting Tubes (E) and the Top Shelf (A).

Attention: Do not fully tighten the screws at this stage.

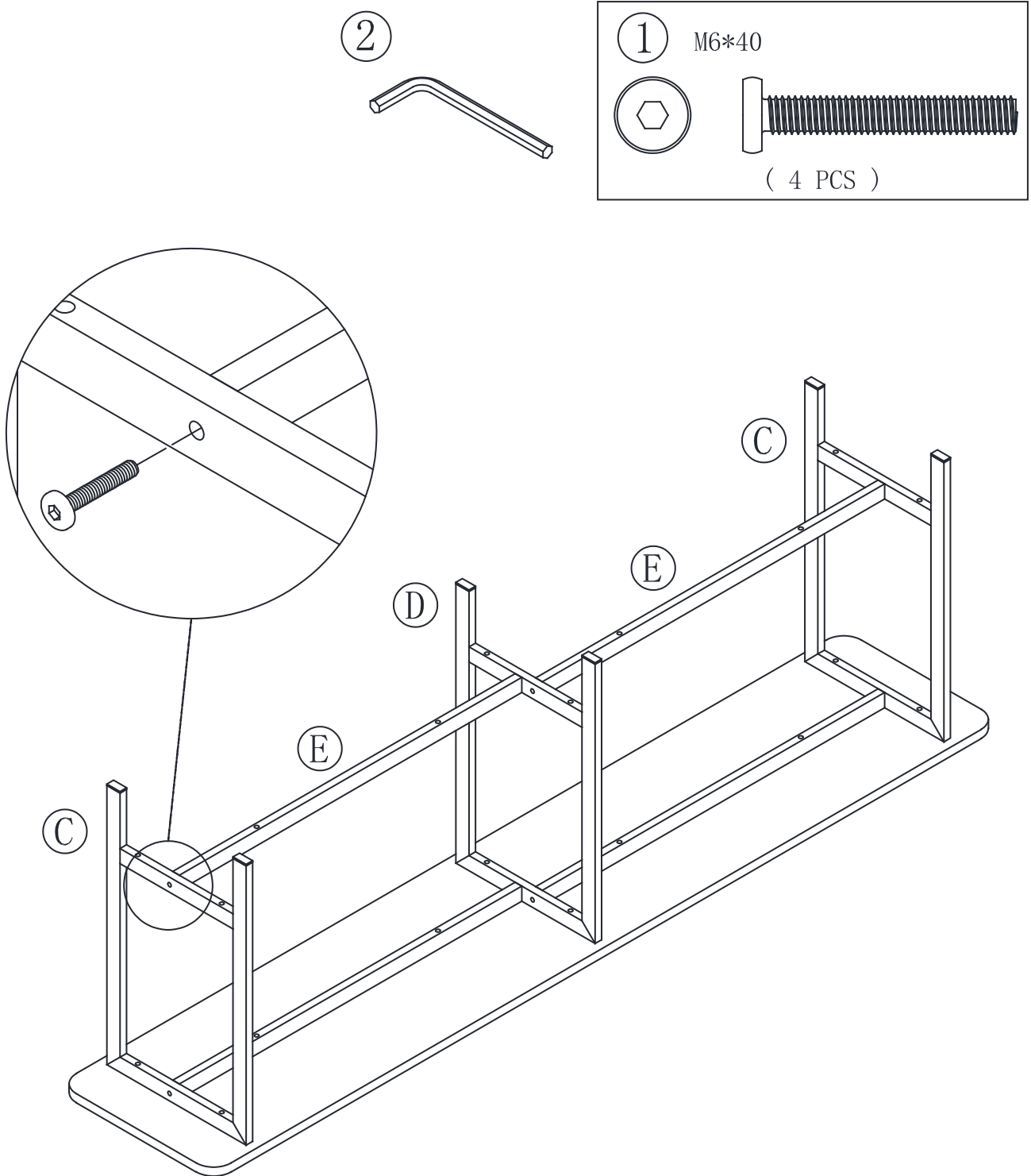


Attention: If the screw holes on the End Frames (C) is not aligned with the Connecting Tube (E) and the Top Shelf (A), please turn the End Frame (C) 180 degrees.

Step 4

- ◆ Use four screws (1) to pass through the End Frame (C) and the Middle Frame (D), fasten them onto the Connecting Tubes (E).

Attention: Do not fully tighten the screws at this stage.

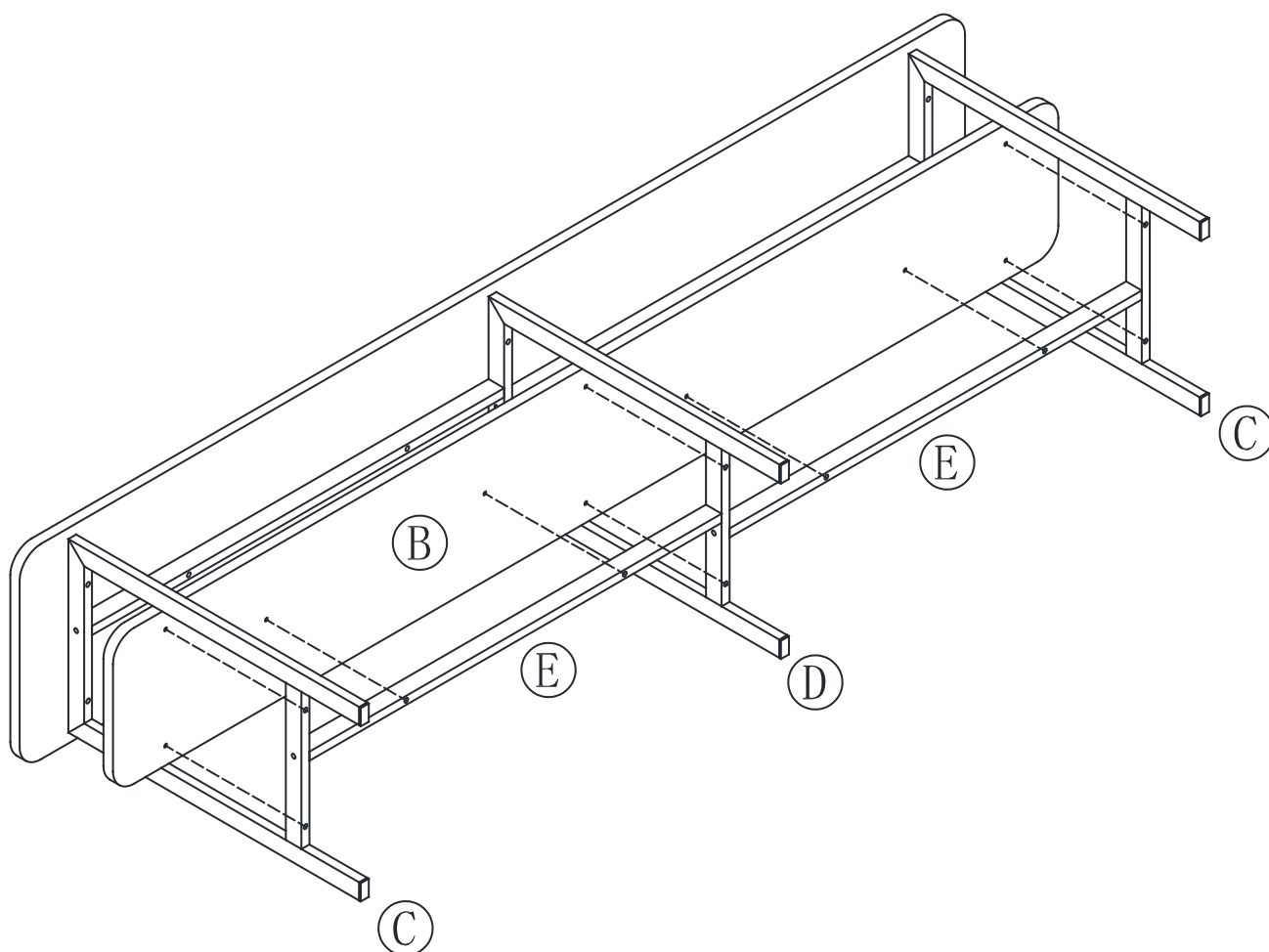
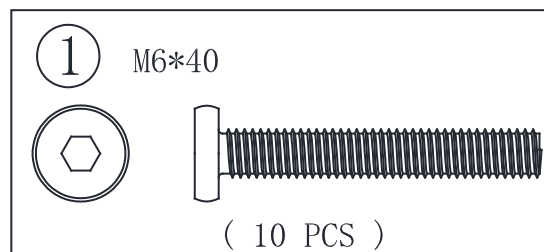
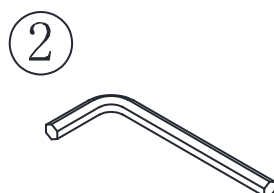


Now you can fully tighten all screws from Step 1 to Step 4

Step 5

- ◆ Fasten the Middle Shelf (B) by using ten screws (1) to pass through the End Frames (C), the Middle Frame (D) and the Connecting Tubes (E).

You should start each SCREW a few turns before completely tightening any of them.



WARRANTY POLICY

All furniture products are warranted, to the original purchaser at the time of purchase and for a period of 30 days thereafter.

Our warranty is limited to new products purchased in factory sealed cartons. This warranty is valid in the United States of America and Canada.

In order to provide you with timely assistance, please thoroughly inspect your furniture for missing or defective parts immediately after opening the carton.

Manhattan Comfort offers a 30-day parts replacement warranty on all items.

Our furniture products are not intended for outdoor use.

THE WARRANTY DOES NOT COVER:

- Defects/damages by improper assembly or disassembly.
- Defects/damages caused by shipping. Claims for damage during transit should be placed immediately to the transportation company.
- Defects/damages caused by inappropriate use of the furniture.