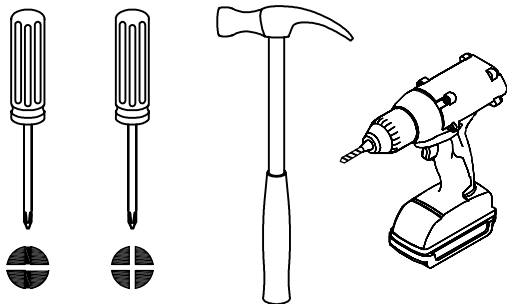
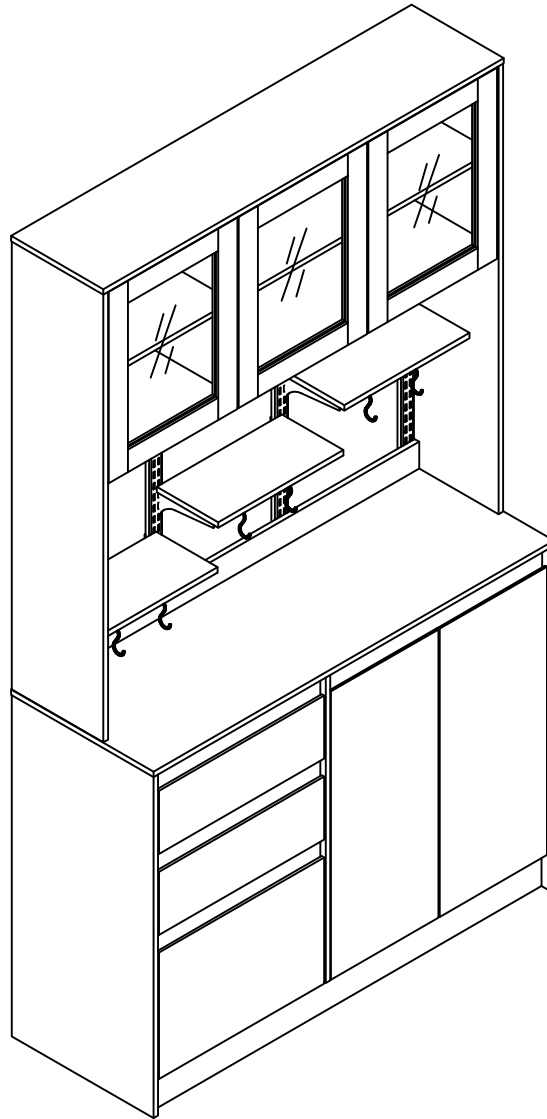
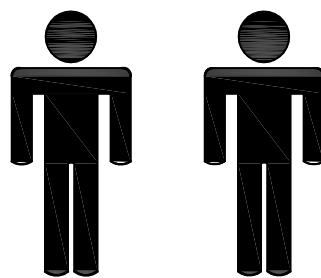


I870101118A1/A2



Tools required
(not included)



2 people for assembly

Notes:

1. ASSEMBLY PREPARATION AND TIPS FOR ASSEMBLY

- 1). Remove all packaging materials, staples and packing straps from the carton.
- 2). Refer to Parts List and Hardware List, and ensure parts and hardware are correct before assembly. Contact customer service for missing parts.
- 3). Place all wooden parts on a clean, flat and soft surface (e.g. carpet or rug) to prevent scratch and damage to parts.
- 4). Allow ample room for assembly and assemble the product near where the product will be placed.
- 5). During assembly, do not over-tighten any fittings as this may cause damage.
- 6). Always place the product on a flat, level surface.

2. CARE AND MAINTENANCE

- 1). KEEP ALL HARDWARE PARTS OUT OF REACH OF CHILDREN.
- 2). Wipe clean with a soft, dry cloth; avoid the use of harsh chemicals or household cleaners as they may damage the exterior finish of the furniture.
- 3). Hardware may loosen over time. Periodically, check that all connections are tight; re-tighten as necessary.

3. TIPS TO PROTECT & CARE FOR YOUR FURNITURE

- 1). Avoid placing your furniture in direct sunlight, as sunlight causes fading.
- 2). Use a protective pad when writing on the furniture surface.
- 3). Use cutting boards and trivets for food preparation in order to avoid damaging the top for the unit.

WARNING



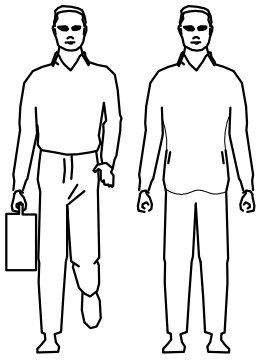
Children have died from furniture tipover. To reduce the risk of furniture tipover:

- ALWAYS install tipover restraint provided.
- NEVER put a TV on this product.
- NEVER allow children to stand, climb or hang on drawers, doors, or shelves.
- NEVER open more than one drawer at a time.
- Place heaviest items in the lowest drawers.

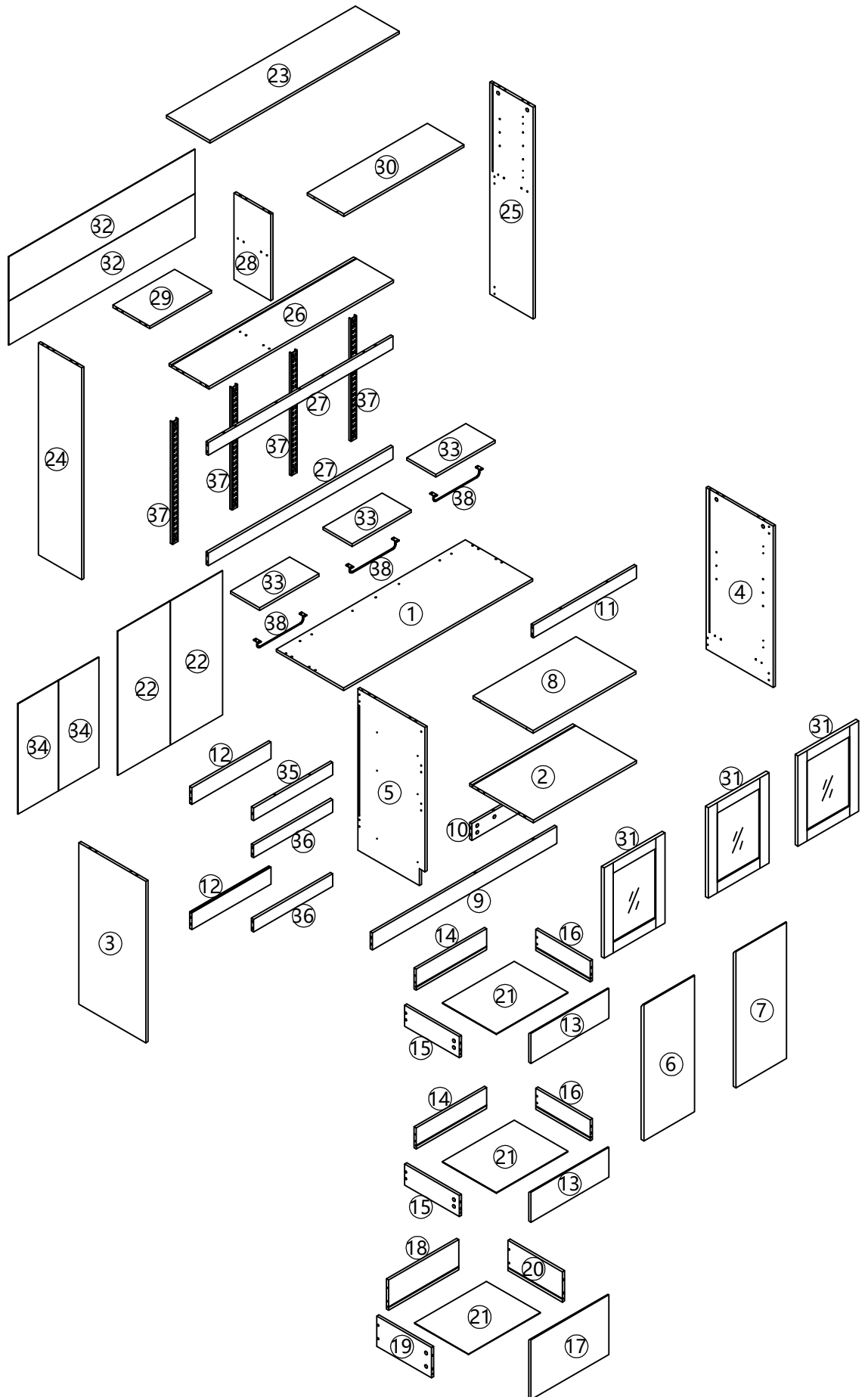


This is a permanent label.
Do not remove!

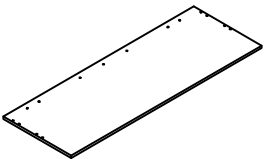
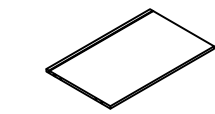
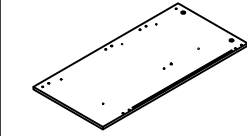
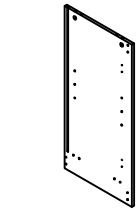
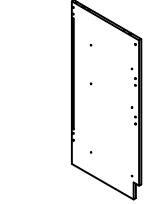
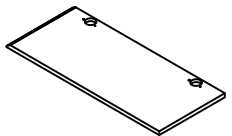
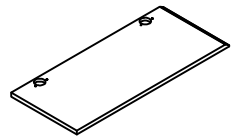
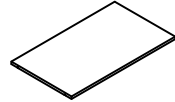
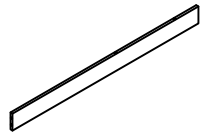
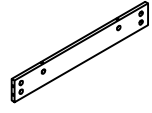
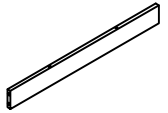
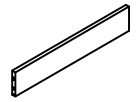
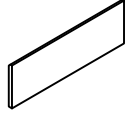
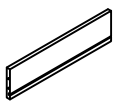
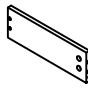
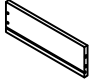
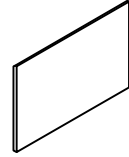
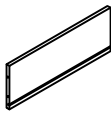
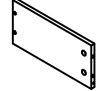
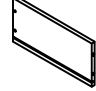
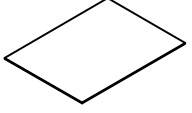
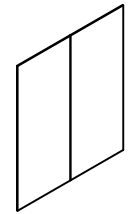
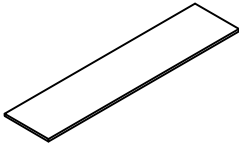


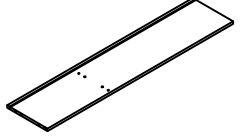


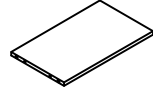
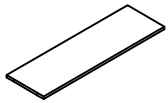
2-Person Assembly



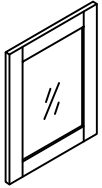
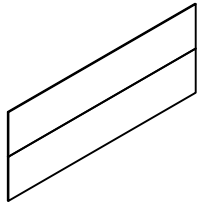
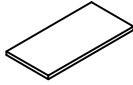
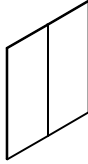
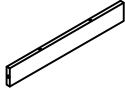
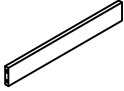


ASSEMBLY OVERVIEW






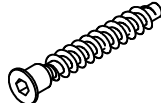
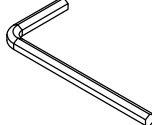
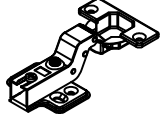
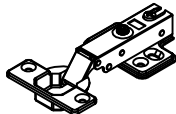
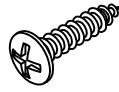
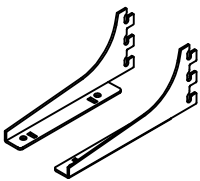
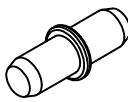
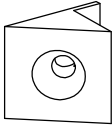
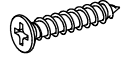
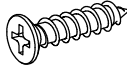
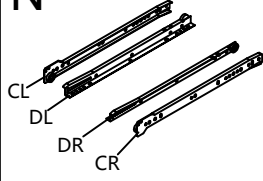

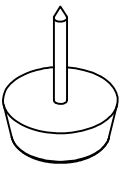
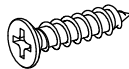

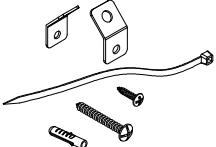

PART LIST

① X1 PCS 	② X1 PCS 	③ X1 PCS 	④ X1 PCS 	⑤ X1 PCS 
⑥ X1 PCS 	⑦ X1 PCS 	⑧ X1 PCS 	⑨ X1 PCS 	⑩ X1 PCS 
⑪ X1 PCS 	⑫ X2 PCS 	⑬ X2 PCS 	⑭ X2 PCS 	⑮ X2 PCS 
⑯ X2 PCS 	⑰ X1 PCS 	⑱ X1 PCS 	⑲ X1 PCS 	⑳ X1 PCS 
㉑ X3 PCS 	㉒ X1 PCS 	㉓ X1 PCS 	㉔ X1 PCS 	㉕ X1 PCS 
㉖ X1 PCS 	㉗ X2 PCS 	㉘ X1 PCS 	㉙ X1 PCS 	㉚ X1 PCS 

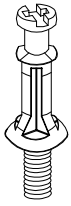
PART LIST

<p>③① X3 PCS</p> 	<p>③② X1 PCS</p> 	<p>③③ X3 PCS</p> 	<p>③④ X1 PCS</p> 	<p>③⑤ X1 PCS</p> 
<p>③⑥ X2 PCS</p> 	<p>③⑦ X4 PCS</p> 	<p>③⑧ X3 PCS</p> 		

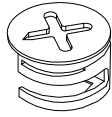
HARDWARE LIST

<p>A</p>  <p>Ø6*35mm</p> <p>88 PCS (Extra 4)</p>	<p>B</p>  <p>Ø15*10mm</p> <p>88PCS (Extra 4)</p>	<p>C</p>  <p>Ø6*30mm</p> <p>40PCS (Extra 4)</p>	<p>D</p>  <p>M5*48mm</p> <p>16PCS (Extra 2)</p>	<p>E</p>  <p>S3</p> <p>1PCS</p>
<p>F</p>  <p>Ø35mm</p> <p>8PCS</p>	<p>G</p>  <p>Ø35mm</p> <p>2PCS</p>	<p>H</p>  <p>Ø3.5*12mm</p> <p>24 PCS (Extra 2)</p>	<p>I</p>  <p>3 SET</p>	<p>J</p>  <p>8 PCS (Extra 2)</p>
<p>K</p>  <p>16 PCS (Extra 2)</p>	<p>L</p>  <p>Ø3*16mm</p> <p>16 PCS (Extra 2)</p>	<p>M</p>  <p>Ø3.5*12mm</p> <p>84 PCS (Extra 4)</p>	<p>N</p>  <p>12"</p> <p>3 SET</p>	<p>O</p>  <p>Ø20mm</p> <p>20 PCS (Extra 2)</p>
<p>P</p>  <p>Ø12*4mm</p> <p>9PCS (Extra 2)</p>	<p>Q</p>  <p>Ø3.5*16mm</p> <p>8 PCS (Extra 2)</p>	<p>R</p>  <p>1 PCS</p>	<p>S</p>  <p>2 SET</p>	<p>T</p>  <p>6 PCS</p>

Instructions For Fastening CAM-BOLT and CAM-LOCK

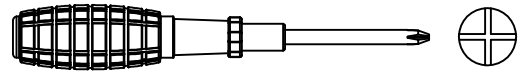


CAM-BOLT

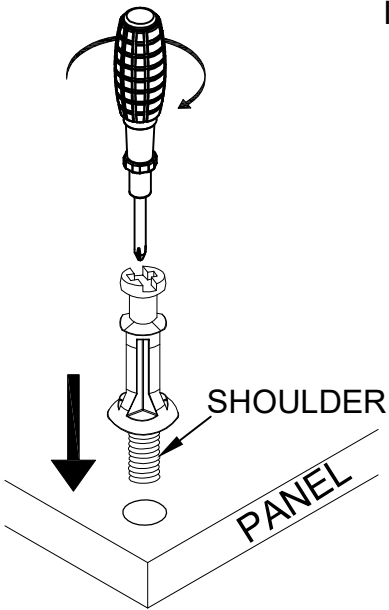


CAM-LOCK

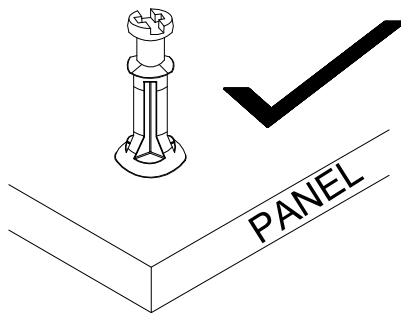
Tools Required



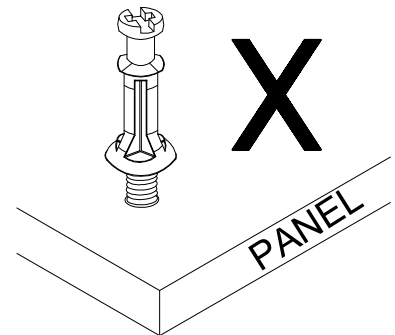
INSERTING AND TIGHTENING CAM-BOLT



Place Cam-bolt on pre-drilled hole and screw in vertically



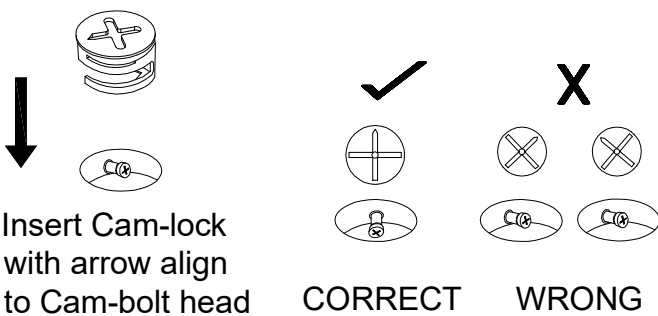
Shoulder is flushed (on the same level) with the panel.



Shoulder is above the panel.

Place Cam-bolt on the designated pre-drilled holes on the panel. Use a Phillips Screwdriver to screw-in Cam-bolt vertically until shoulder is flushed (on the same level) with panel.

INSERTING CAM-LOCK

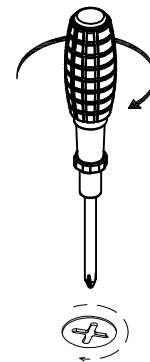


Insert Cam-lock with arrow align to Cam-bolt head

CORRECT

WRONG

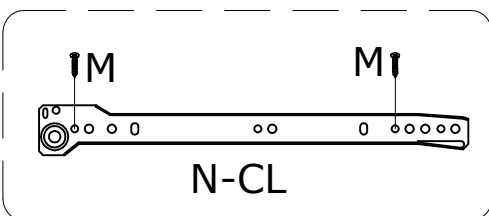
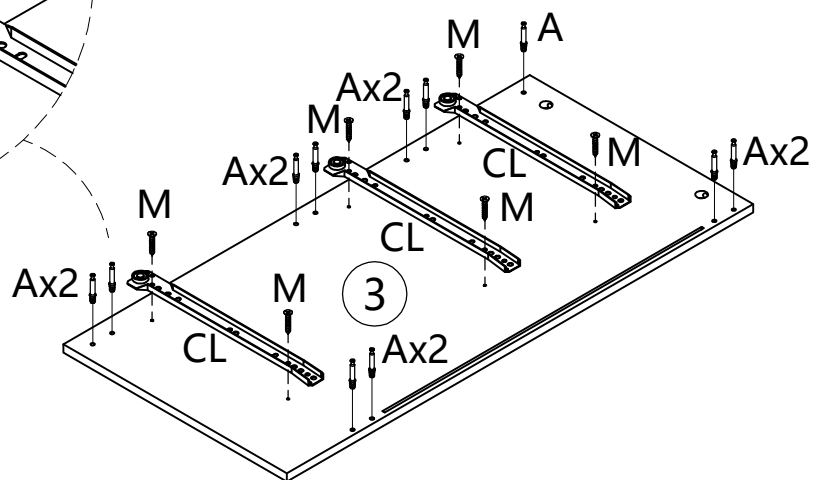
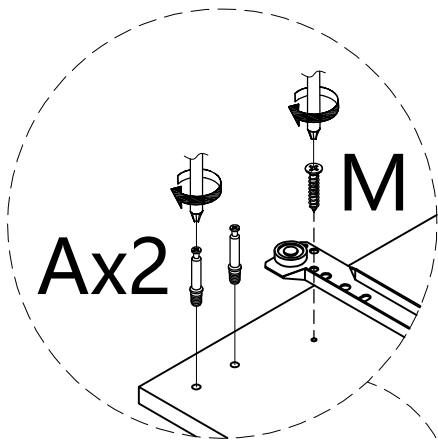
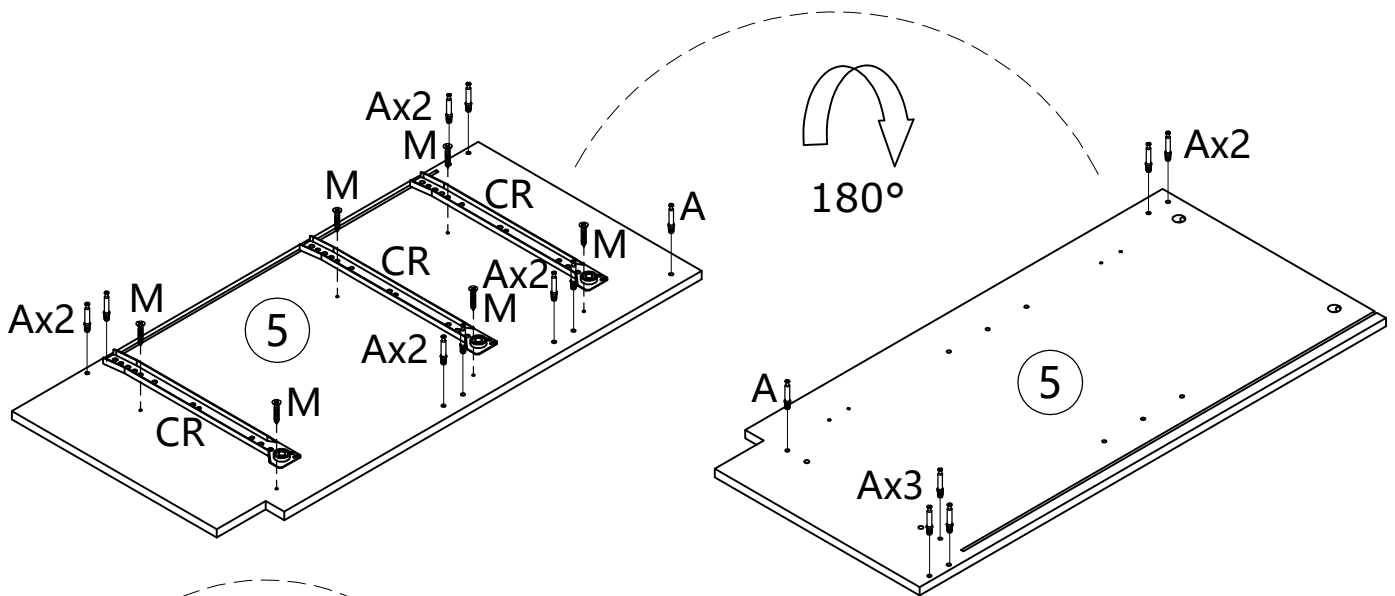
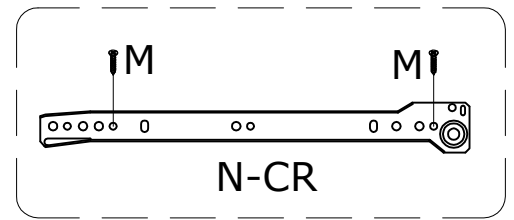
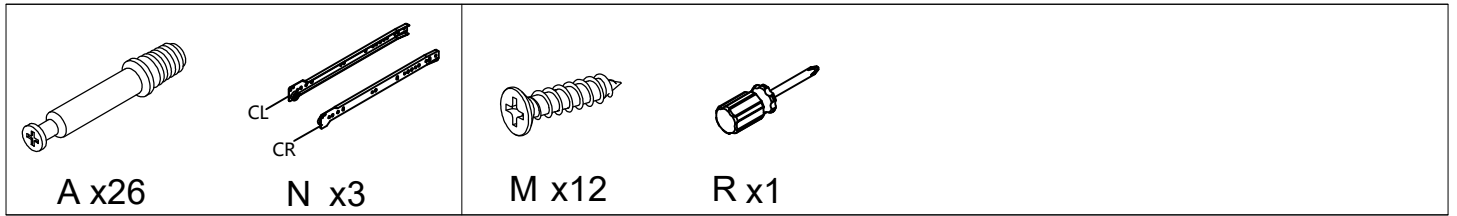
TIGHTENING CAM-LOCK



Align the arrow on the Cam-lock to the Cam-bolt head and insert the Cam-lock. Ensure Cam-lock is fully inserted.

Use a Flat-head Screwdriver to turn Camlock clockwise so it locks onto the head of the Cam-bolt. Turn until it is snug (about 3/4ths of a turn) -- over-tightening could damage Cam-lock or/and Cam-bolt.

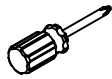
Step 1.



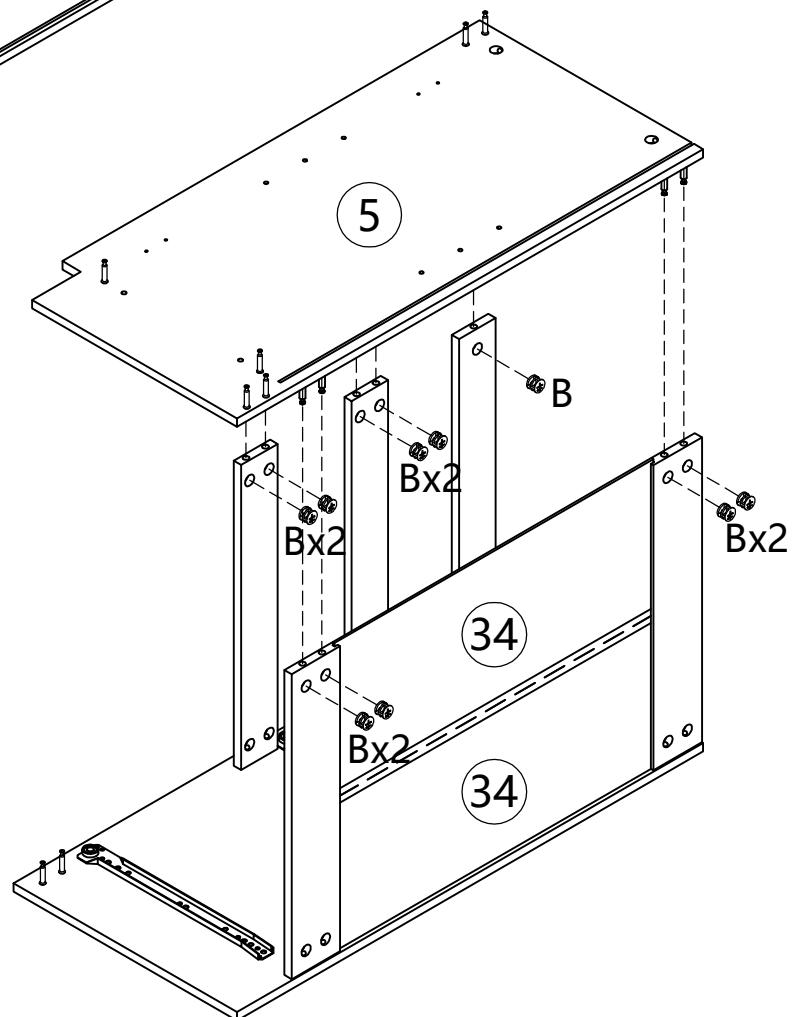
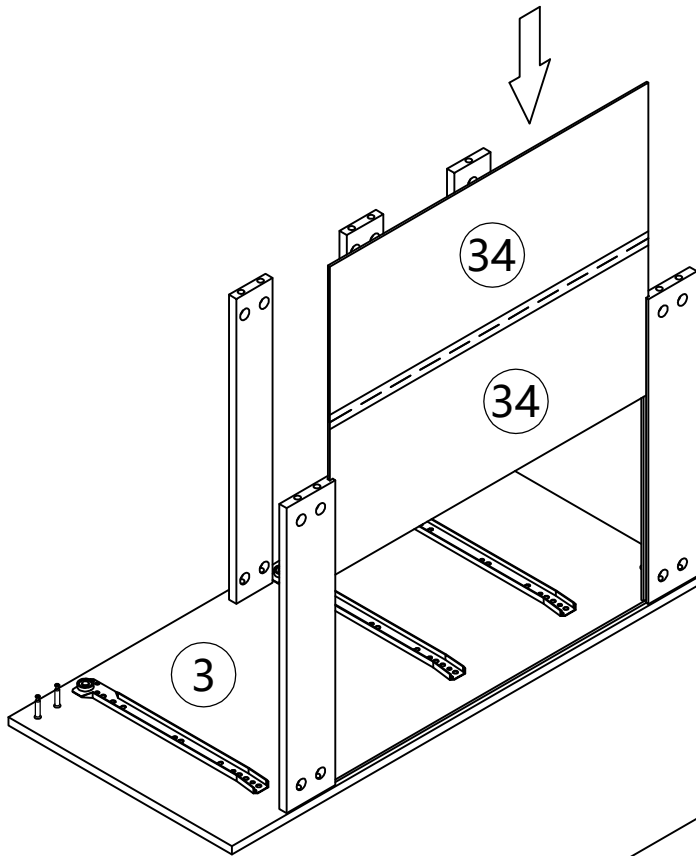
Step 3.



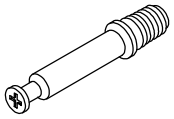
B x9



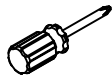
R x1



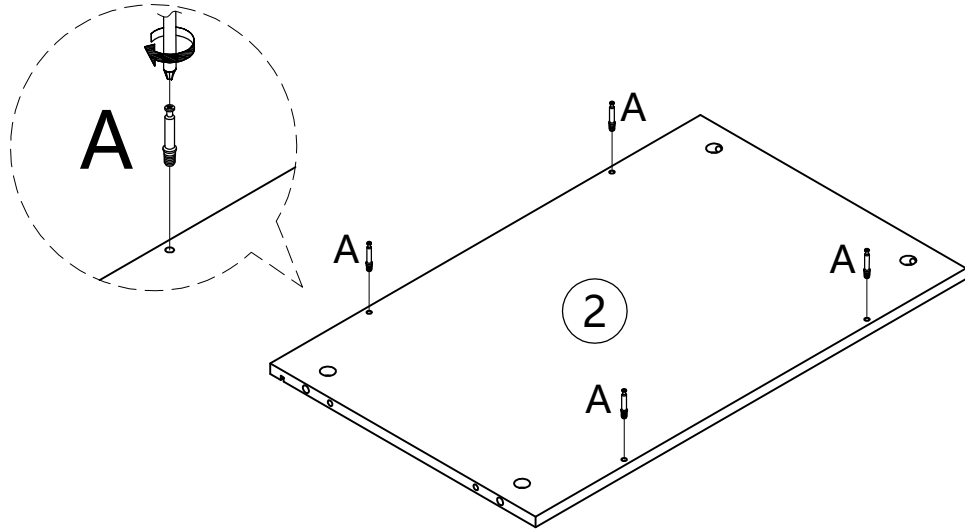
Step 4.



A x4



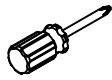
R x1



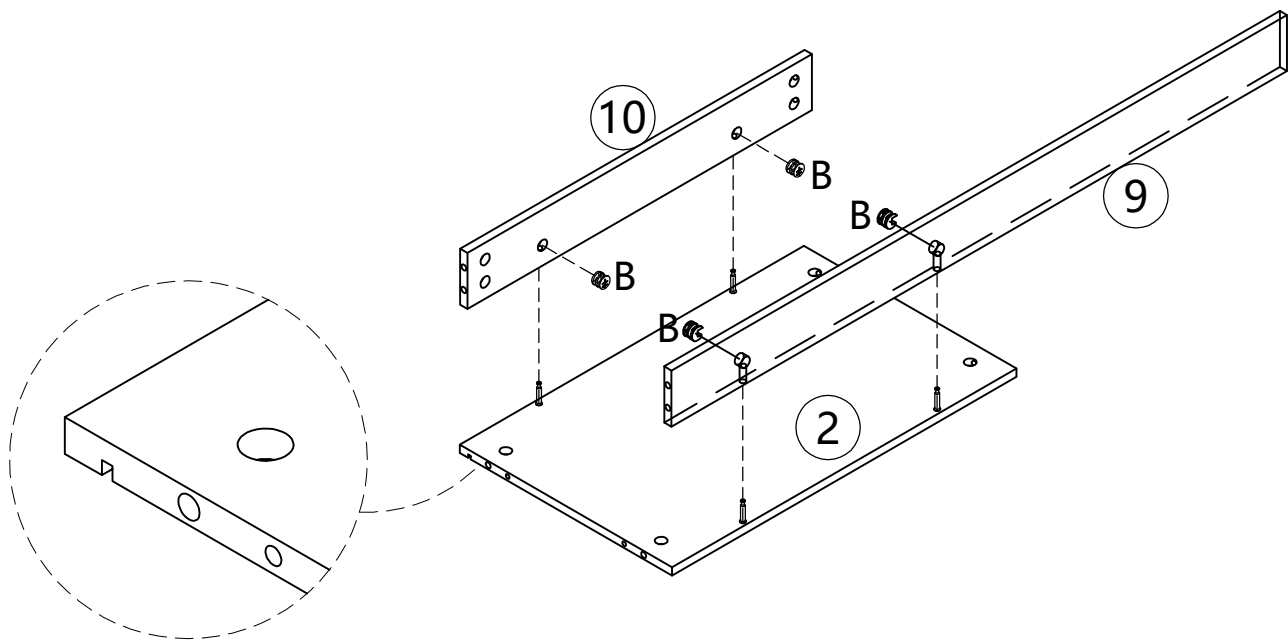
Step 5.



B x4



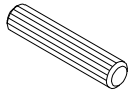
U x1



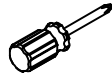
Step 6.



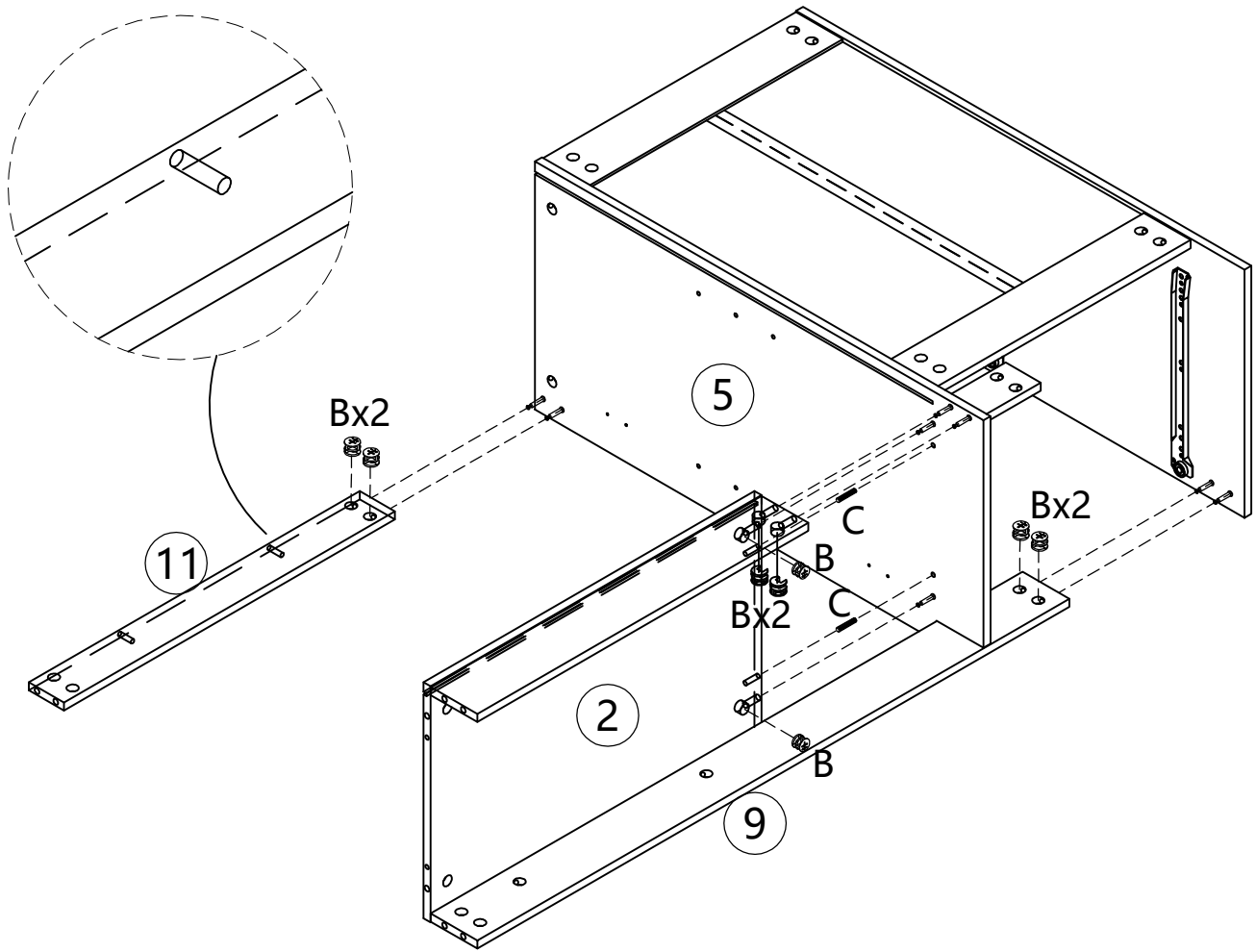
B x8



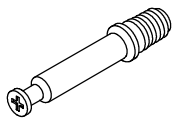
C x2



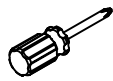
R x1



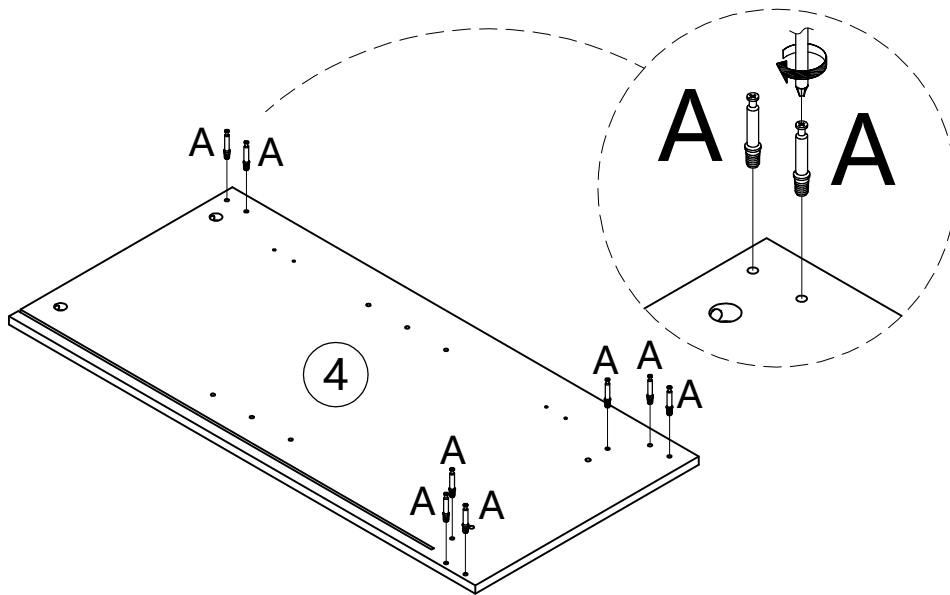
Step 7.



A x8



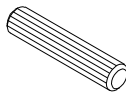
R x1



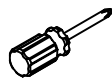
Step 8.



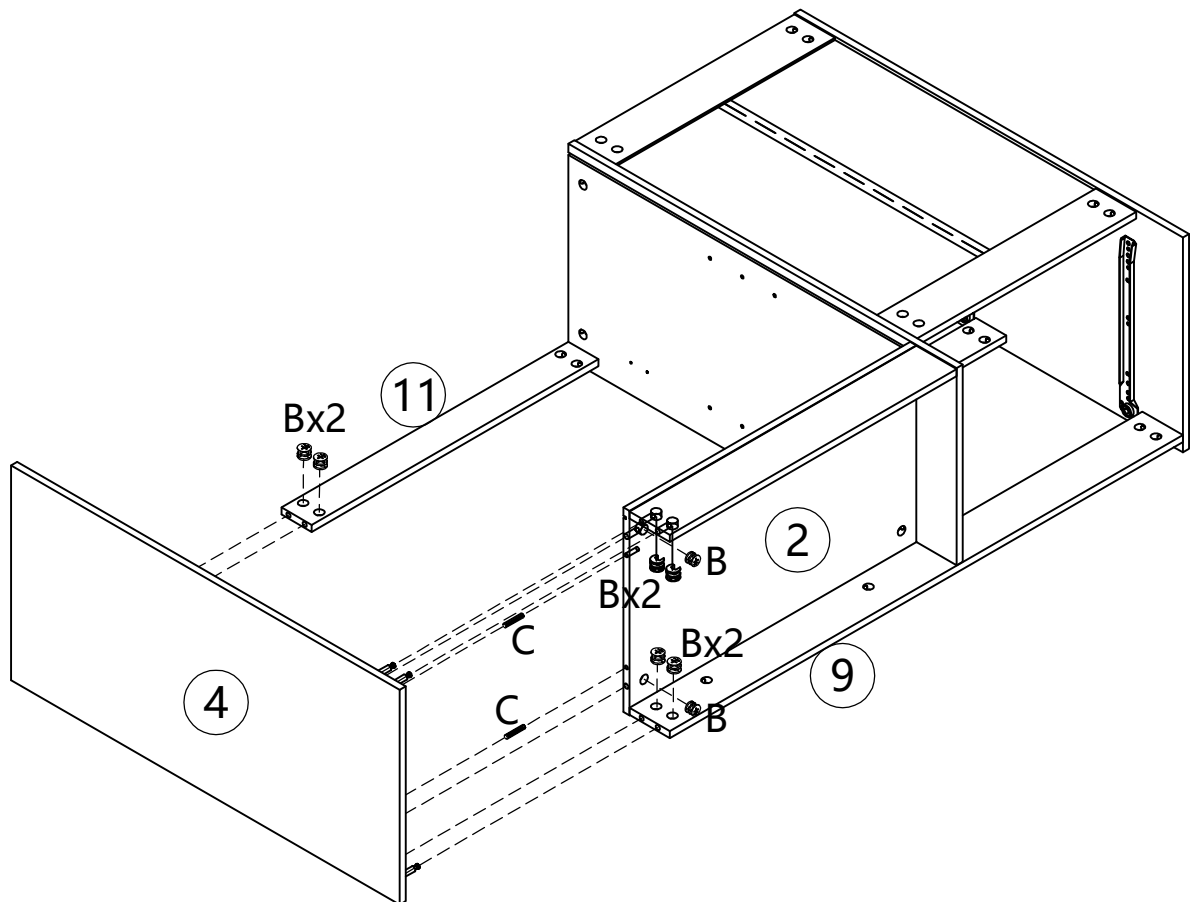
B x8



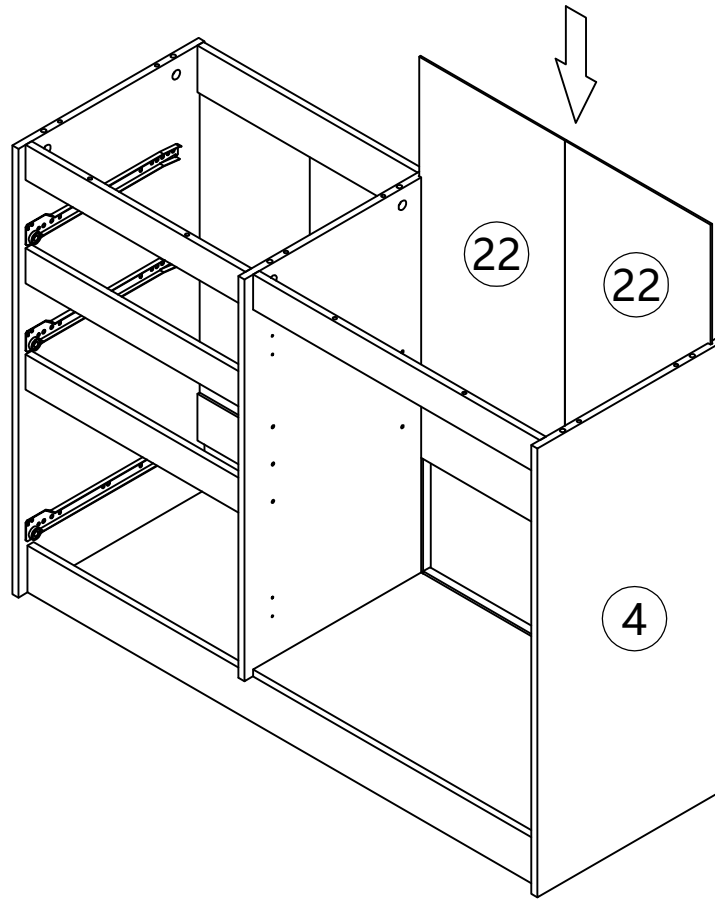
C x2



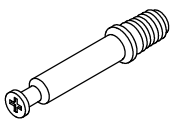
R x1



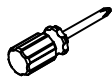
Step 9.



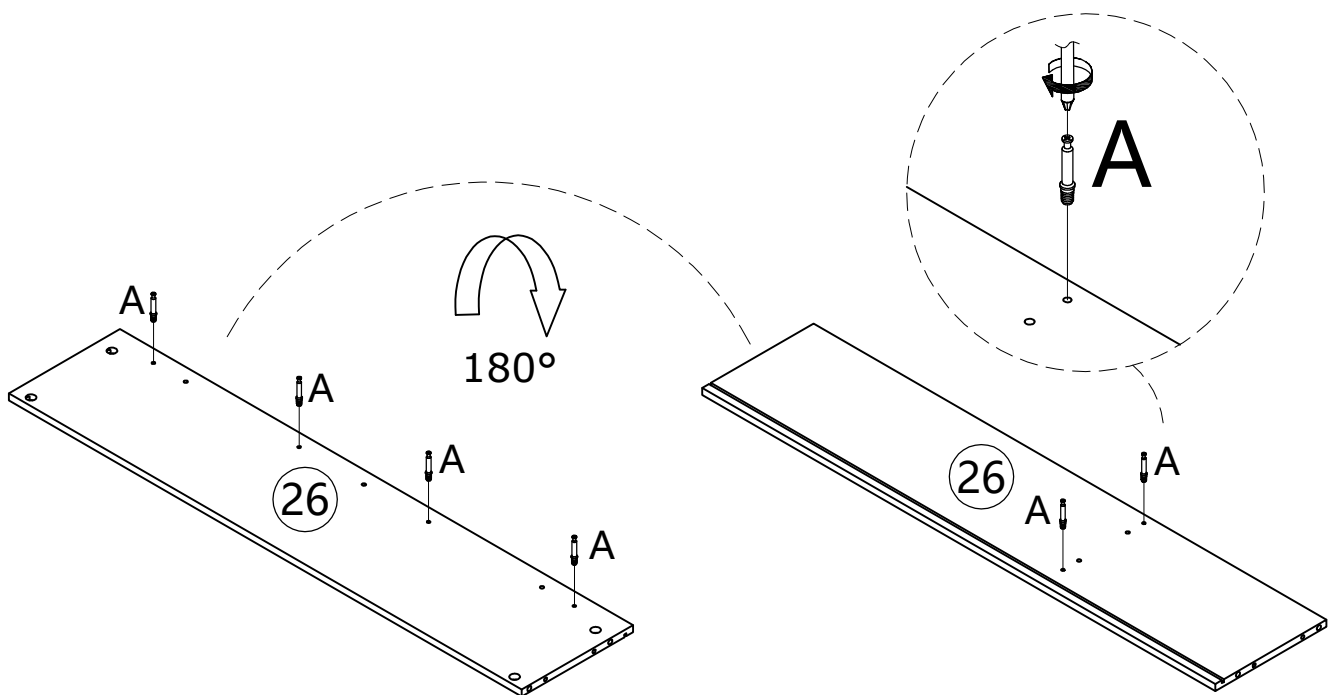
Step 10.



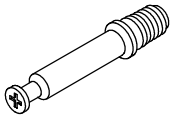
A x6



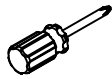
R x1



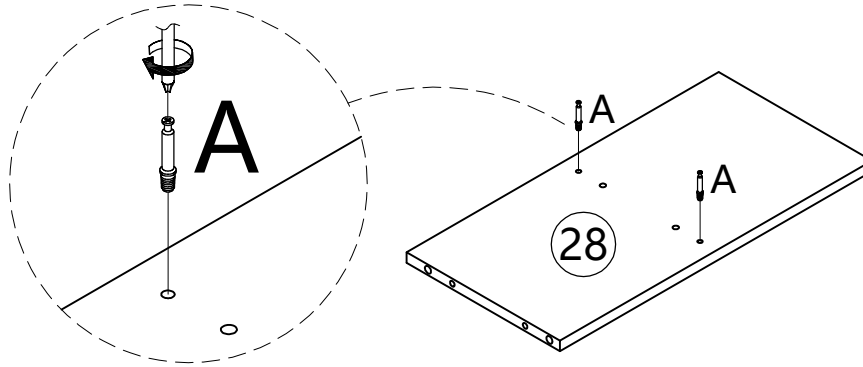
Step 11.



A x2



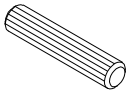
R x1



Step 12.



B x2



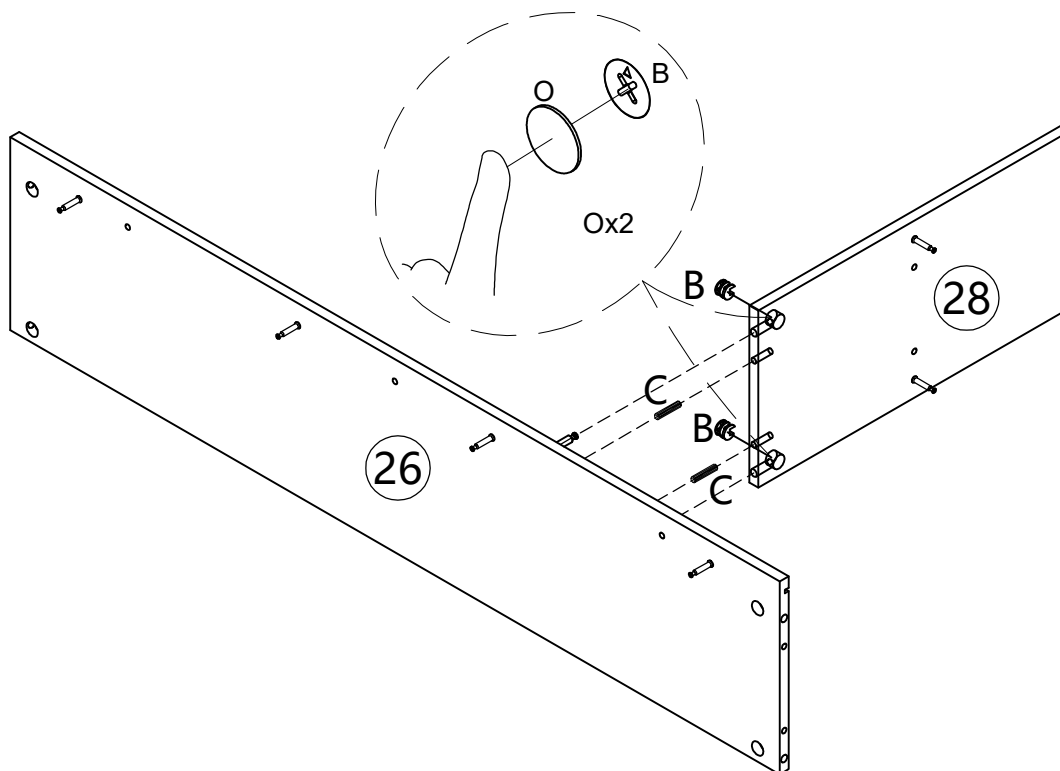
C x2



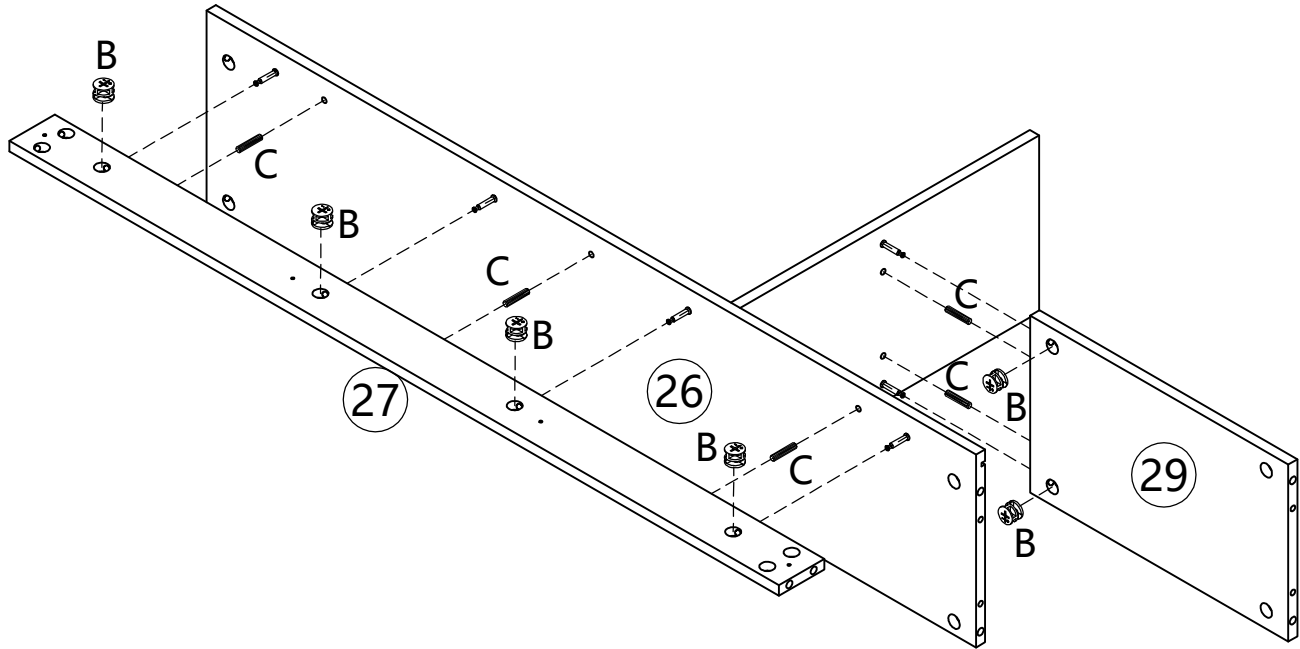
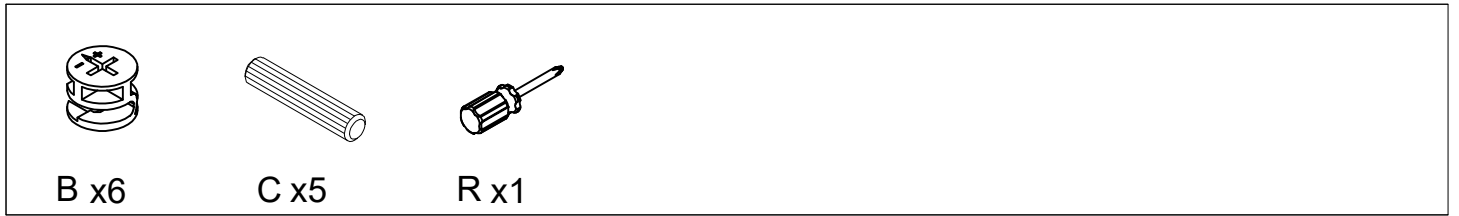
R x1



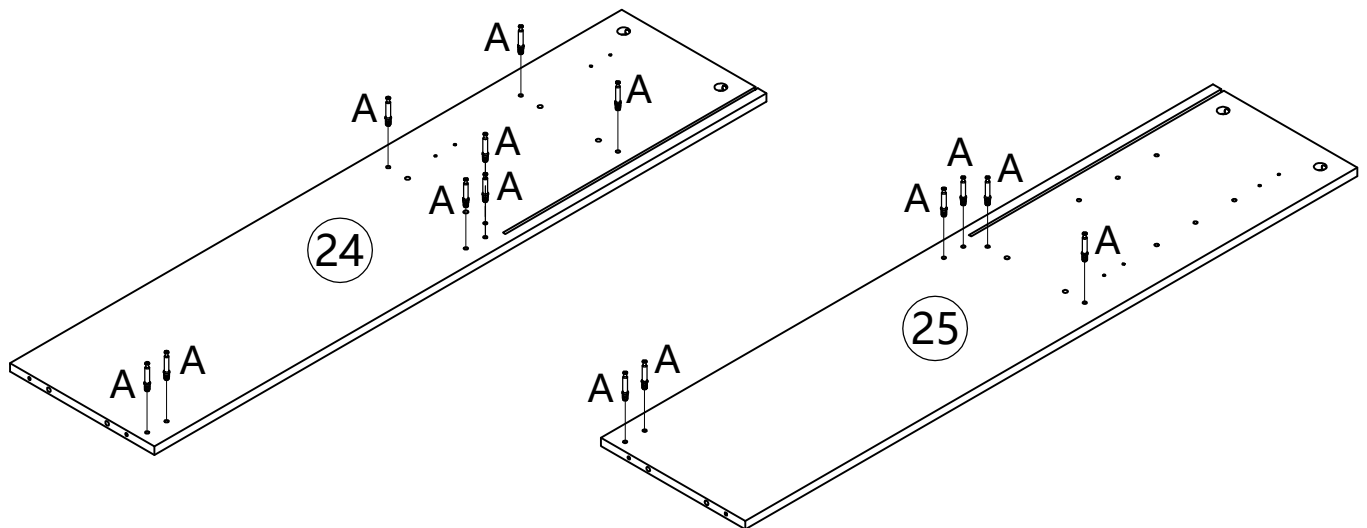
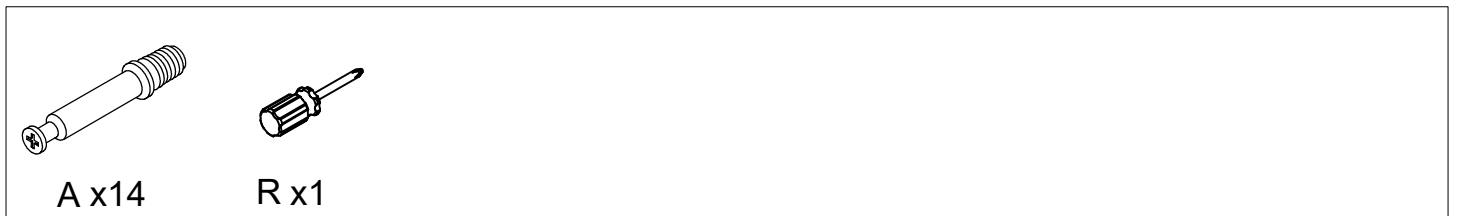
O x2



Step 13.



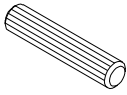
Step 14.



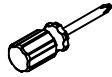
Step 15.



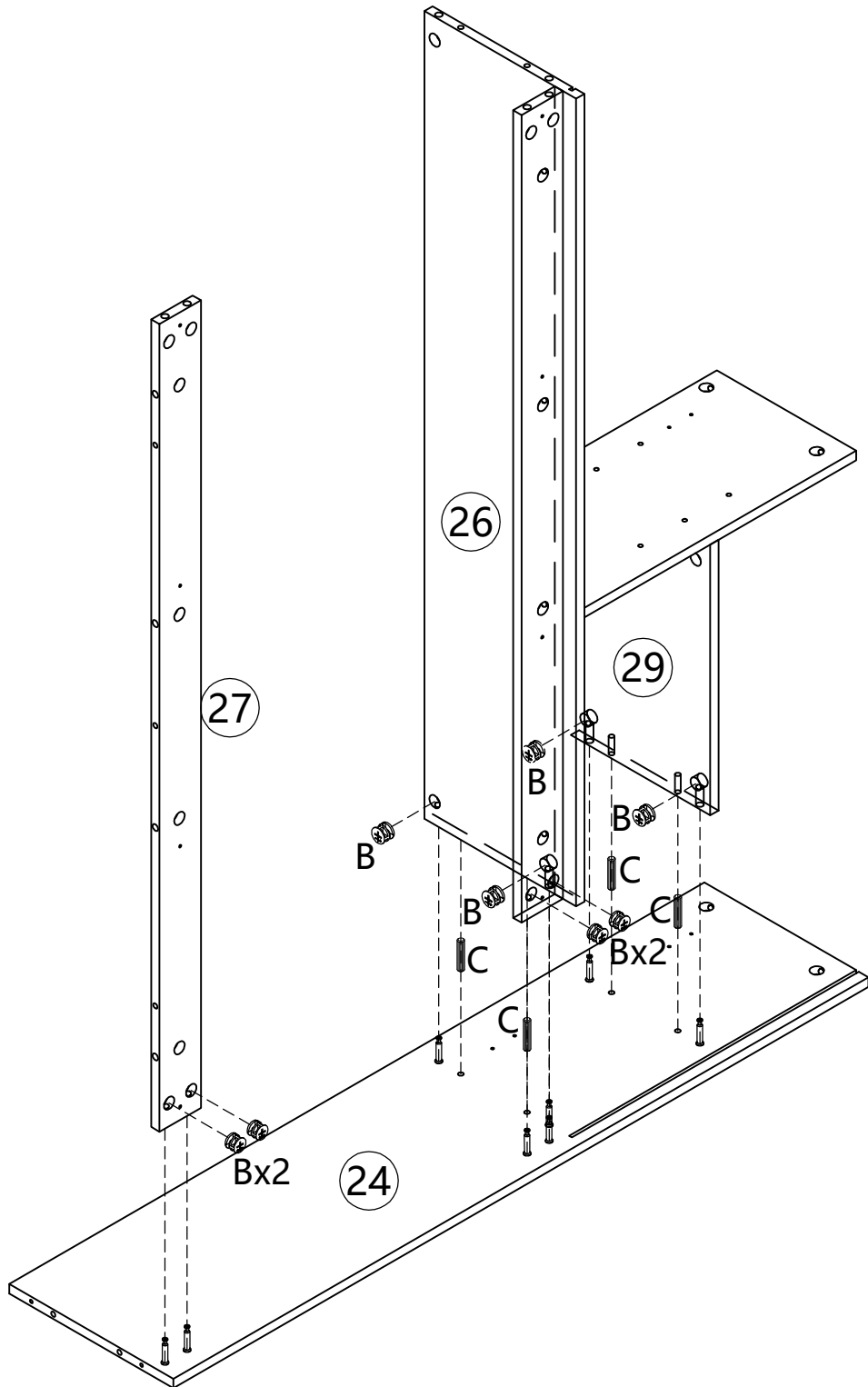
B x8



C x4



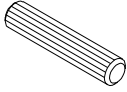
R x1



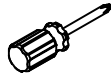
Step 16.



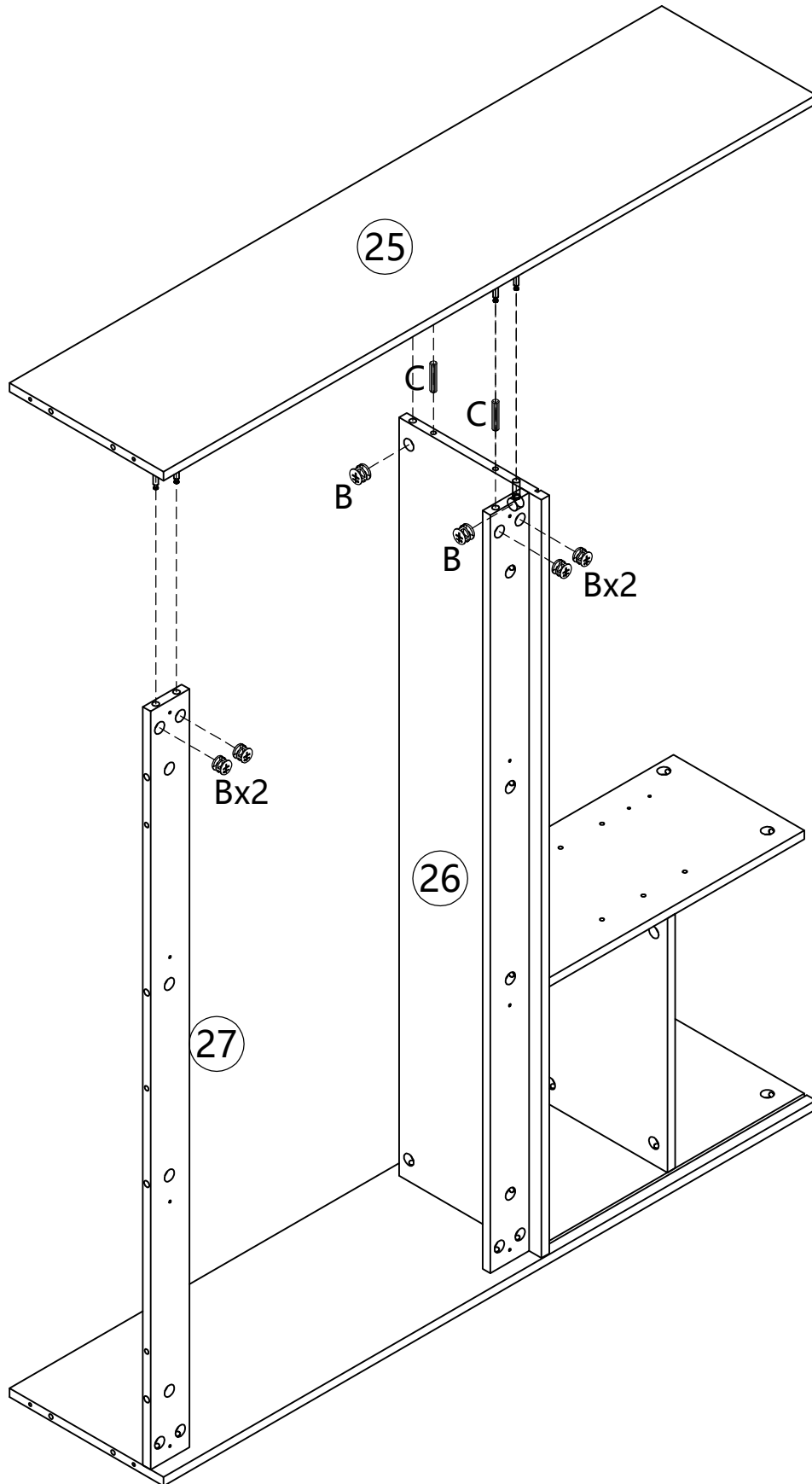
B x6



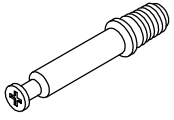
C x2



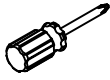
R x1



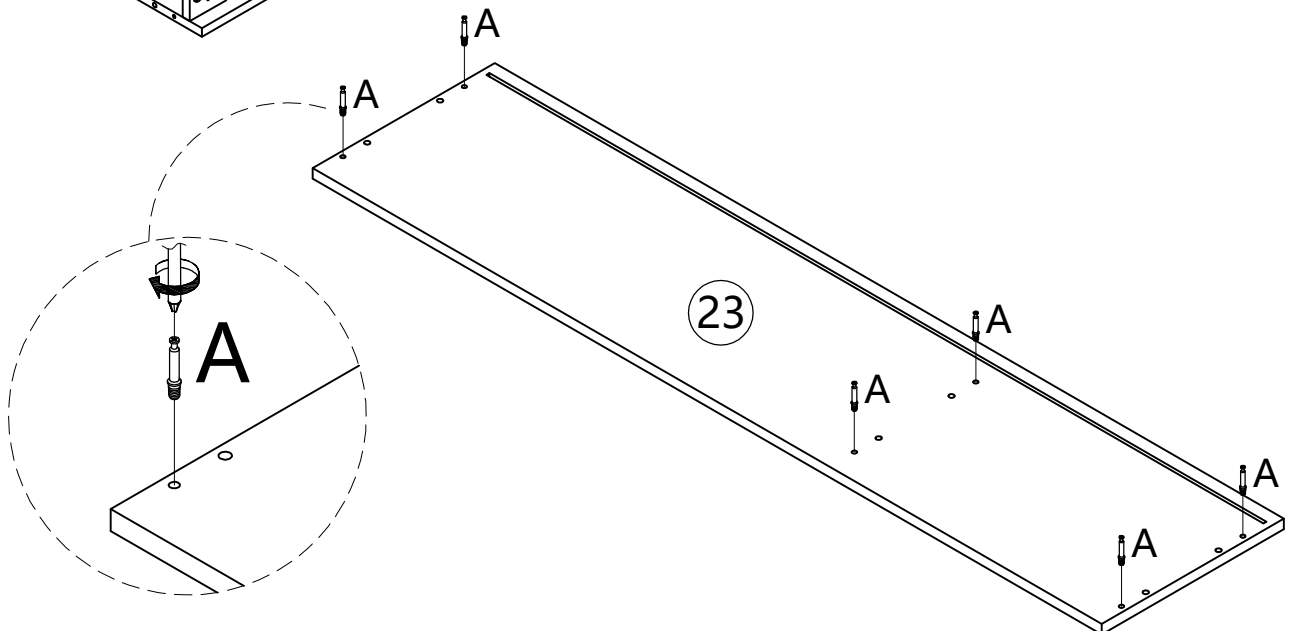
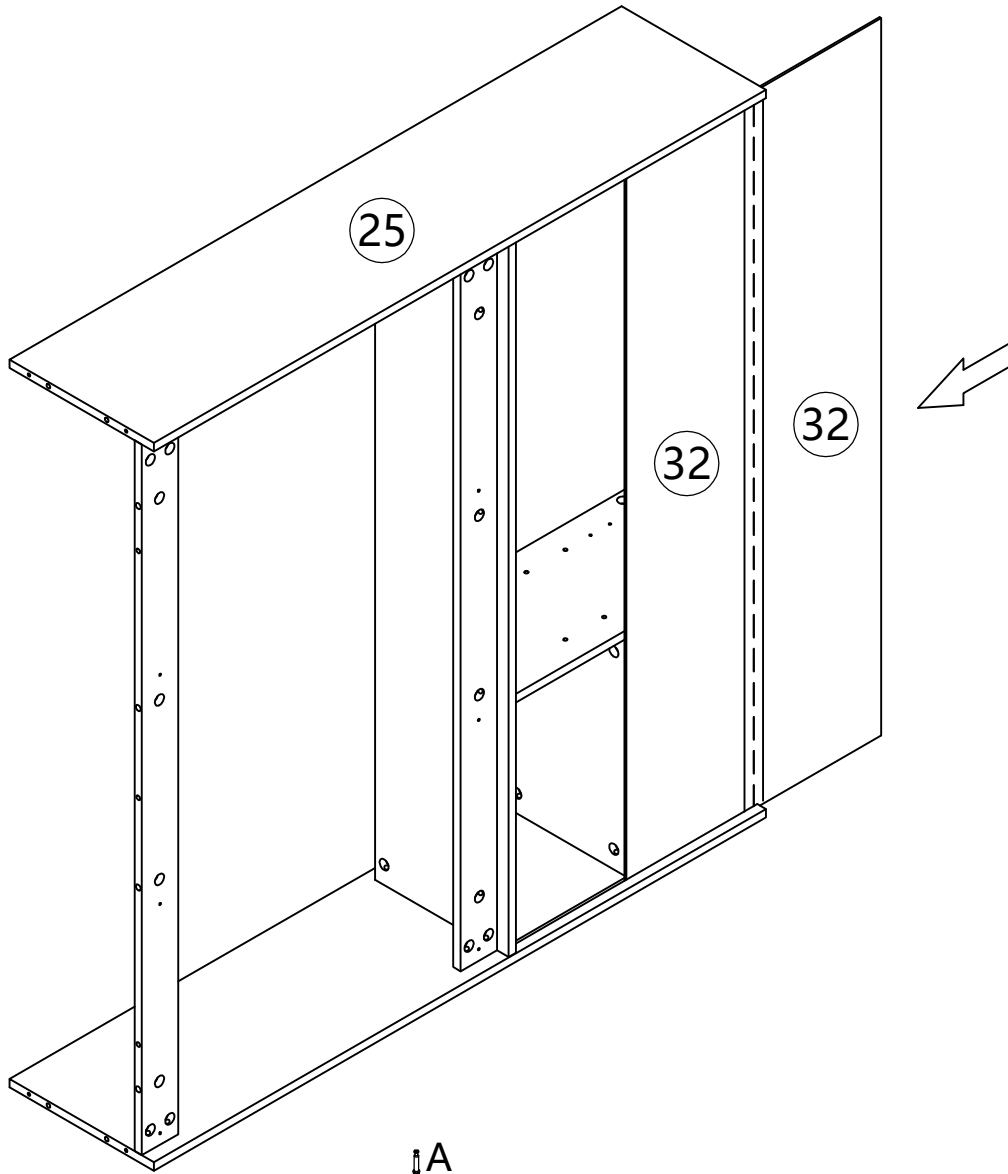
Step 17.



A x6



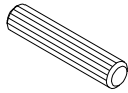
R x1



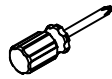
Step 18.



B x6



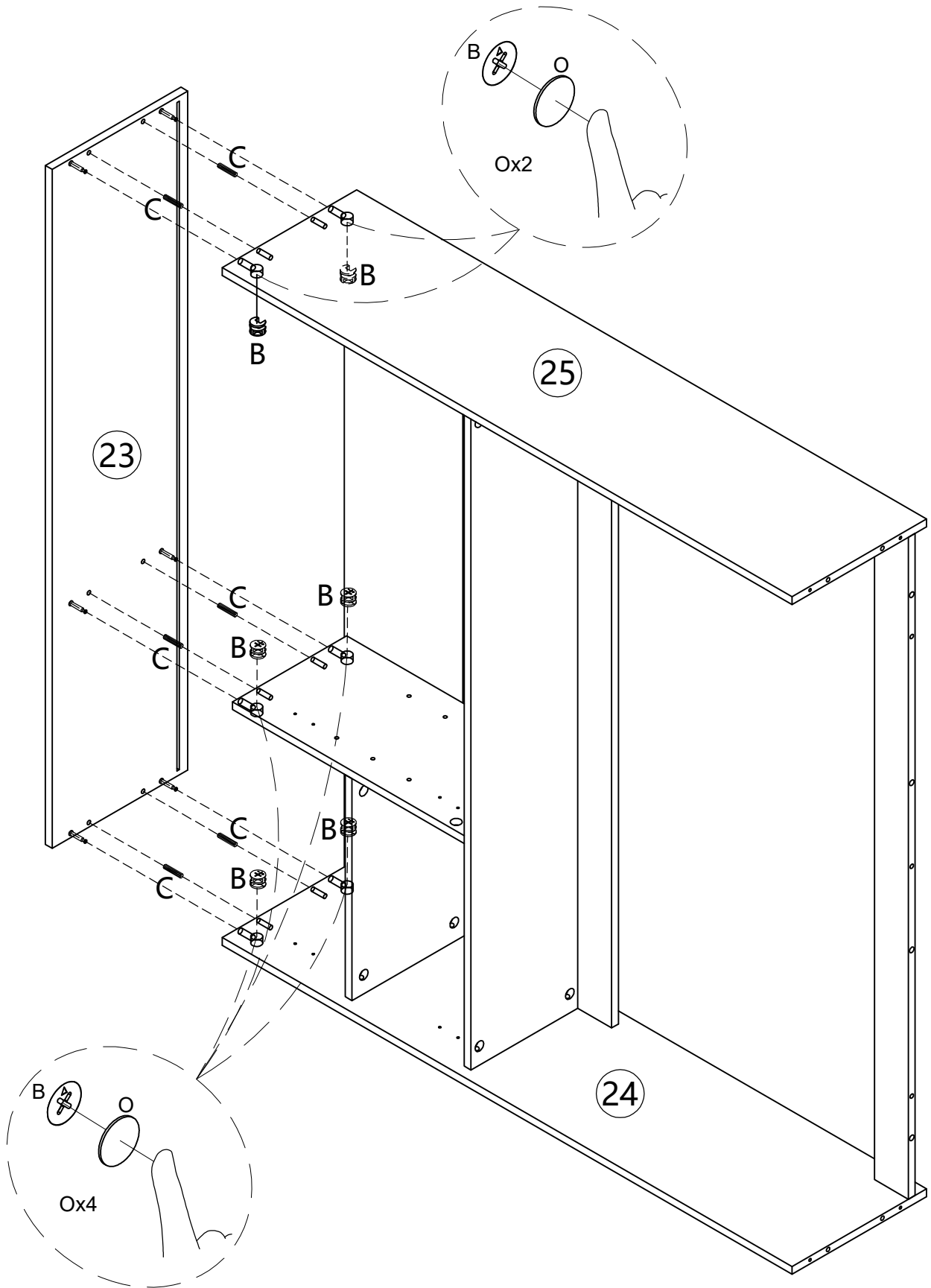
C x6



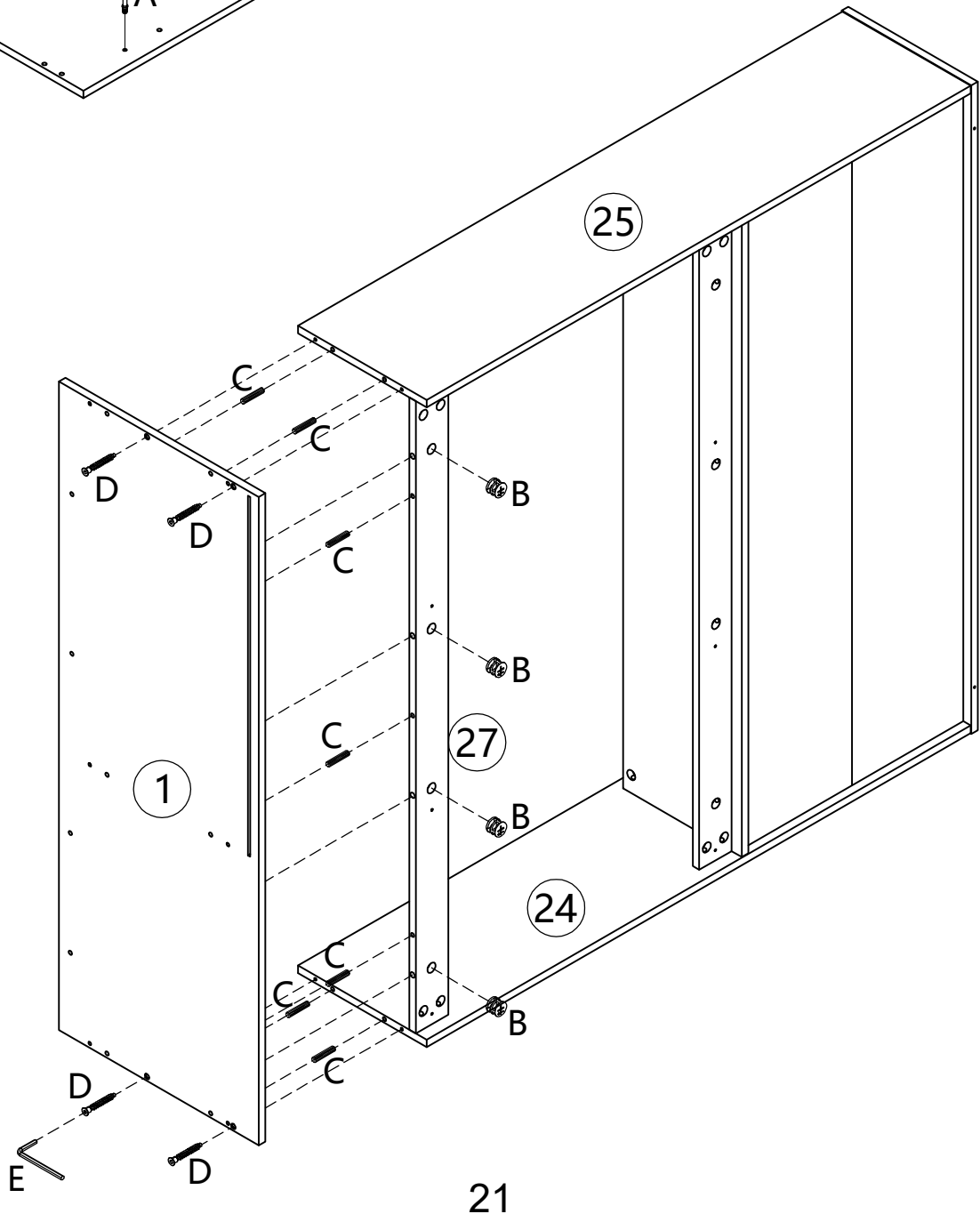
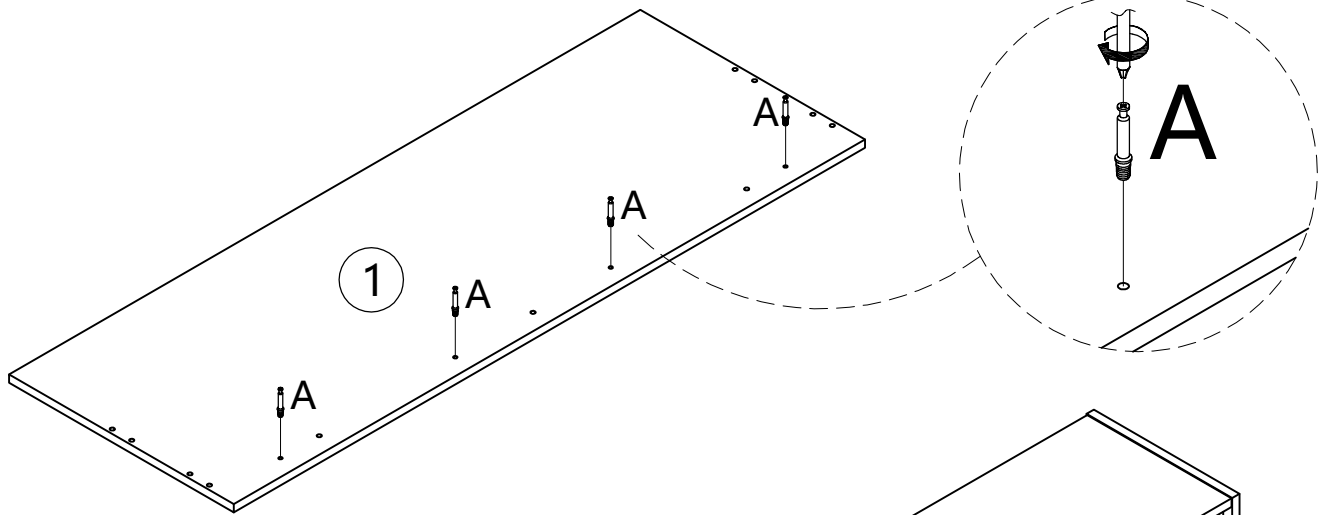
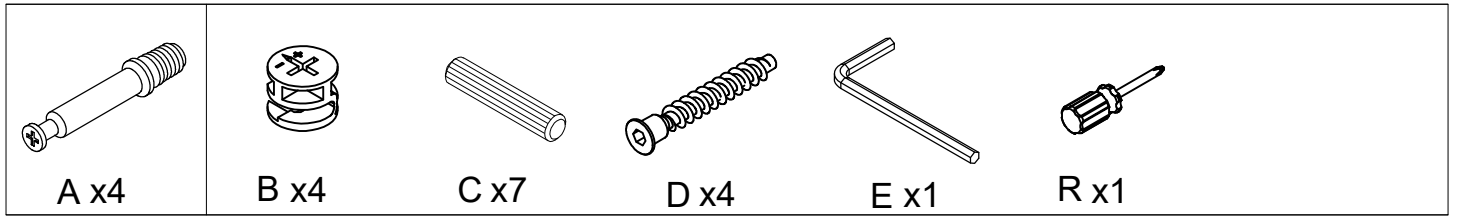
R x1



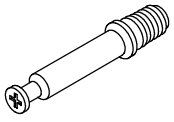
O x6



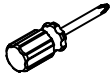
Step 19.



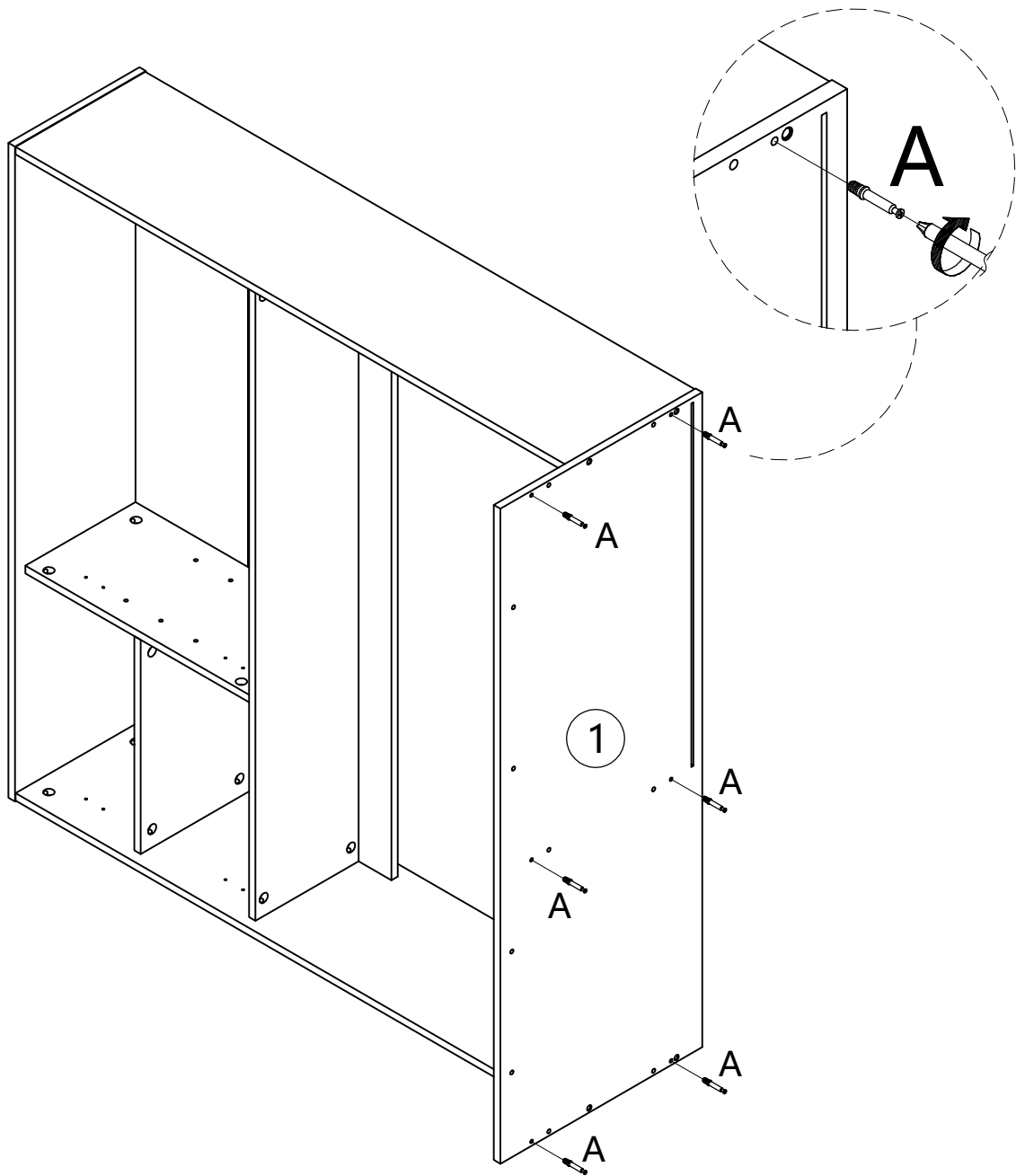
Step 20.



A x6



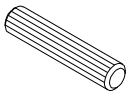
R x1



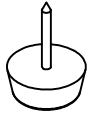
Step 21.



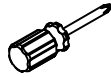
B x6



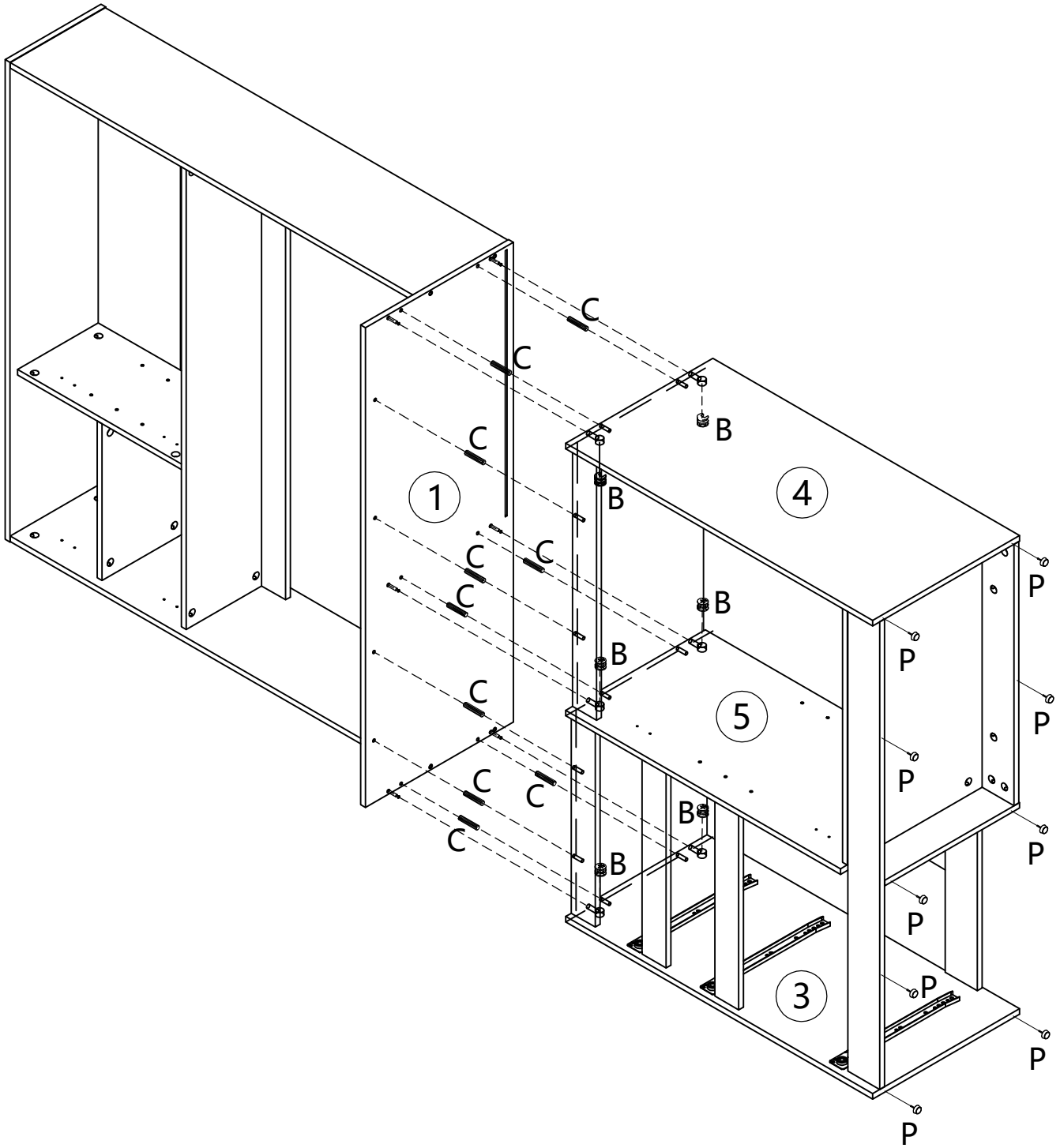
C x10



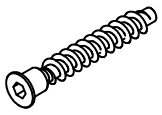
P x9



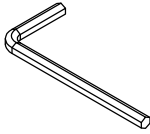
R x1



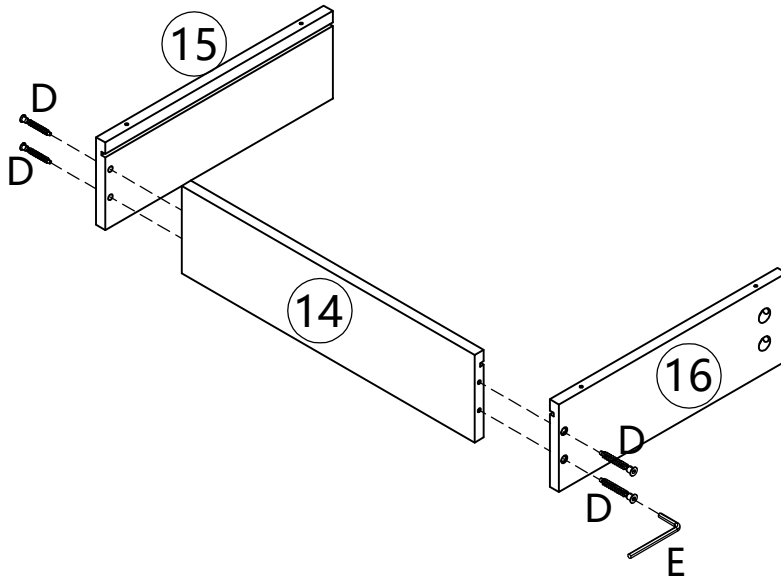
Step 22.



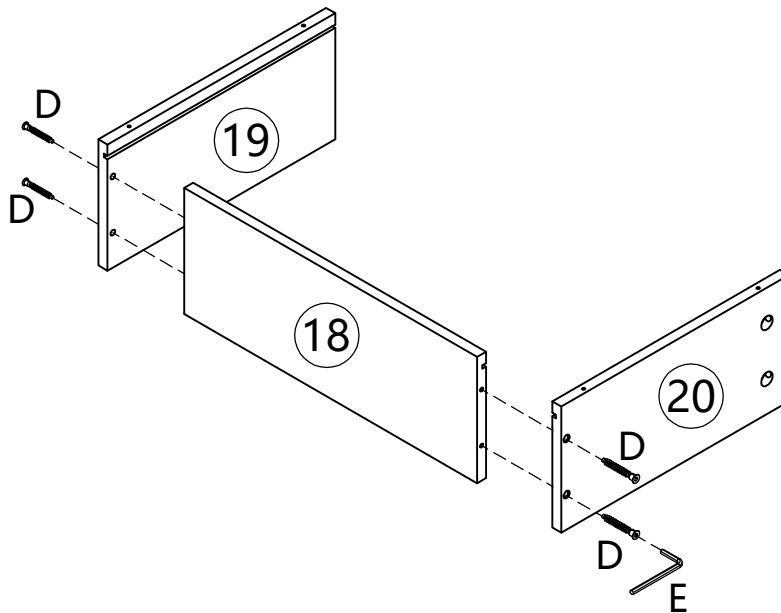
D x 12



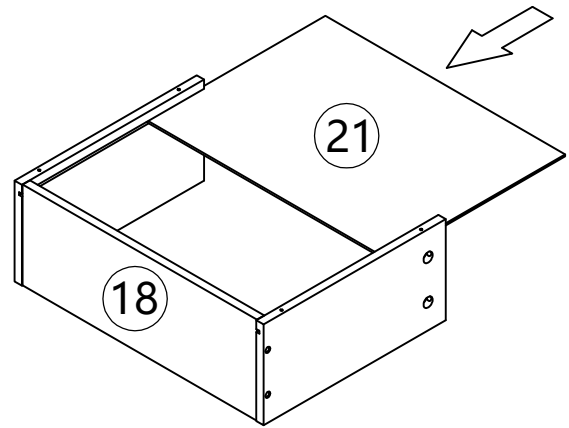
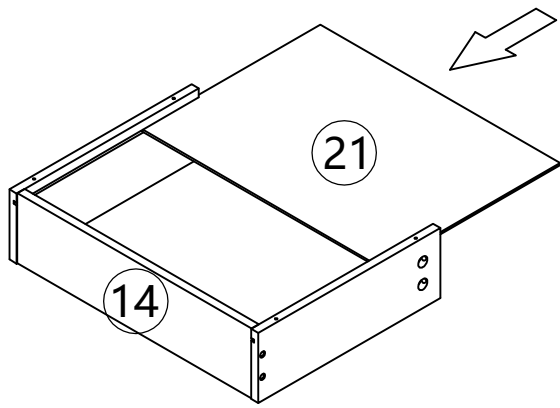
E x 1



x2

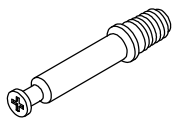


Step 23.

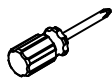


x2

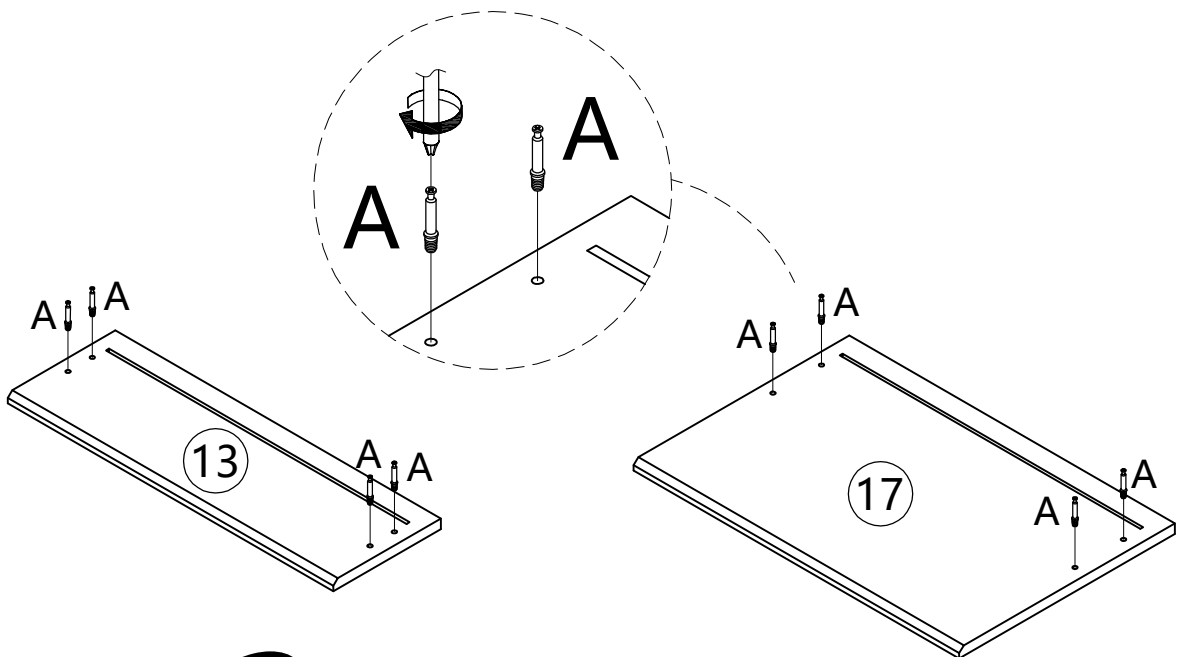
Step 24.



A x12



R x1

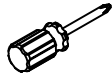


x2

Step 25.



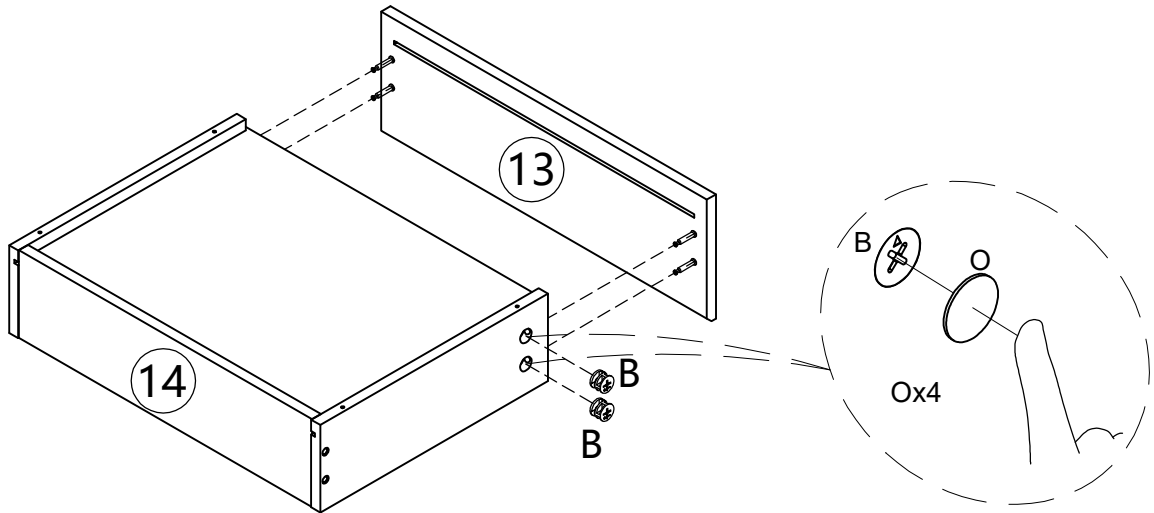
B x12



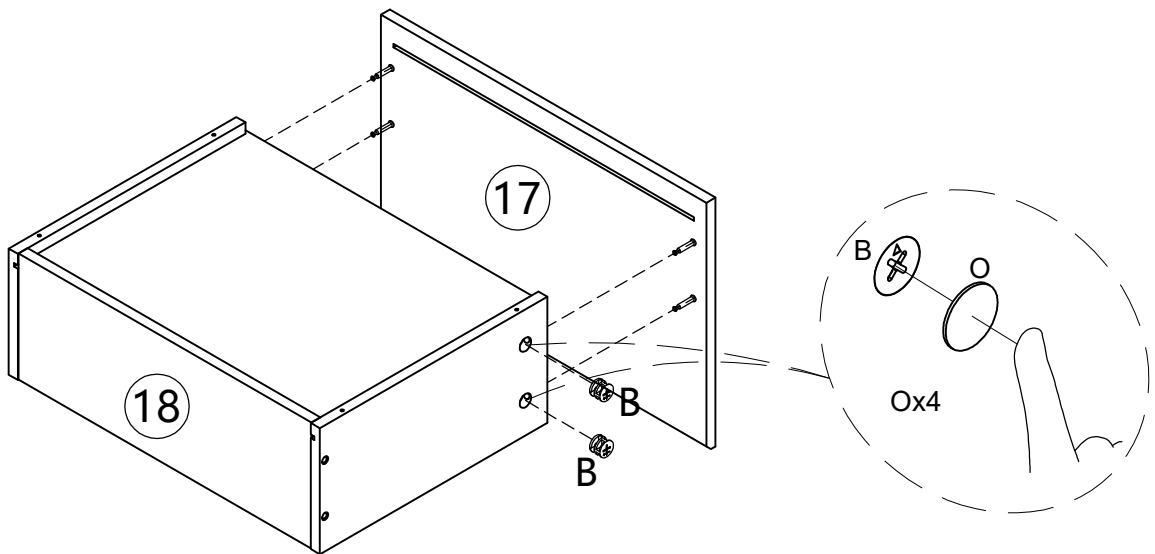
R x1



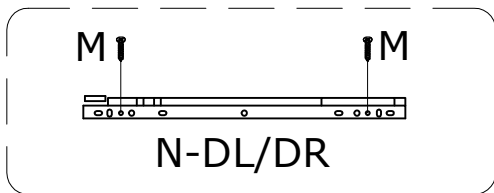
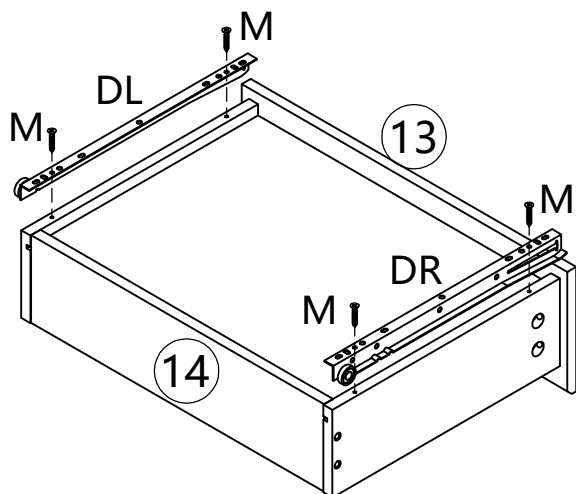
O x12



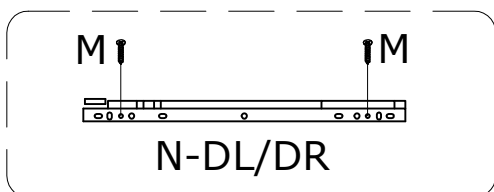
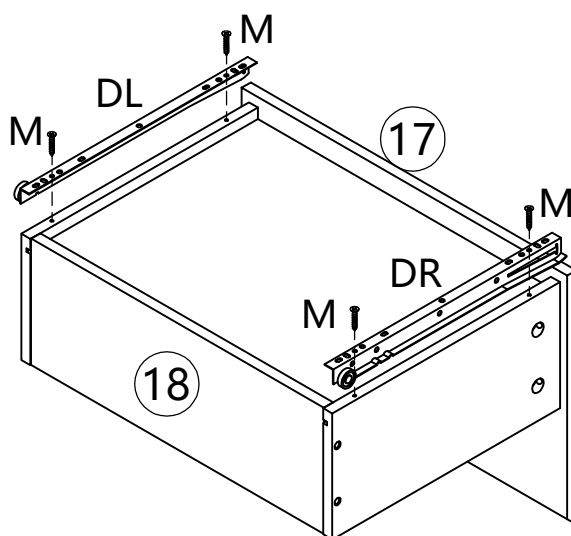
x2



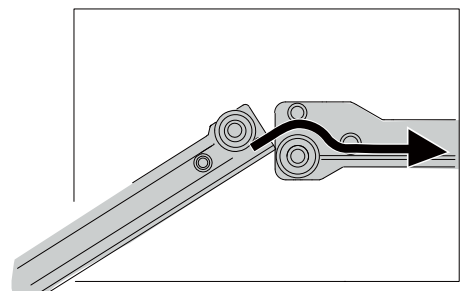
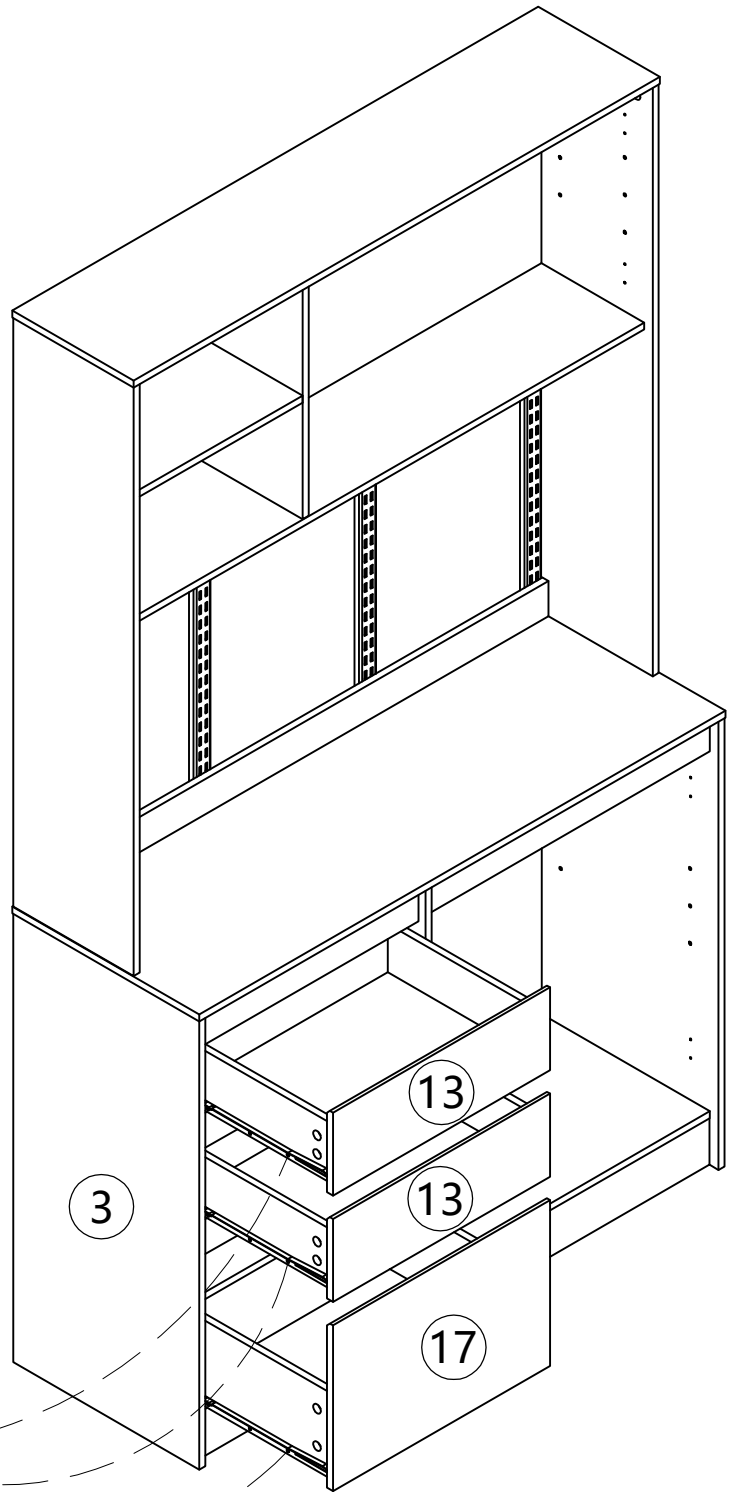
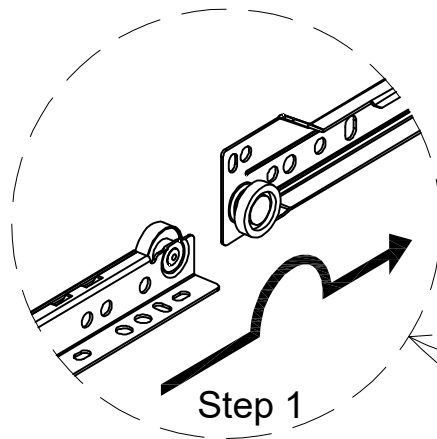
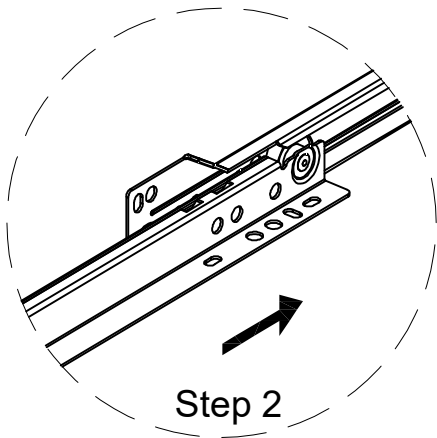
Step 26.



x2

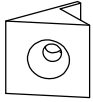


Step 27.

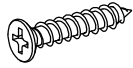


The drawer needs to be installed in a tilted manner.

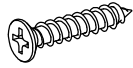
Step 28.



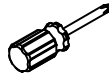
K x16



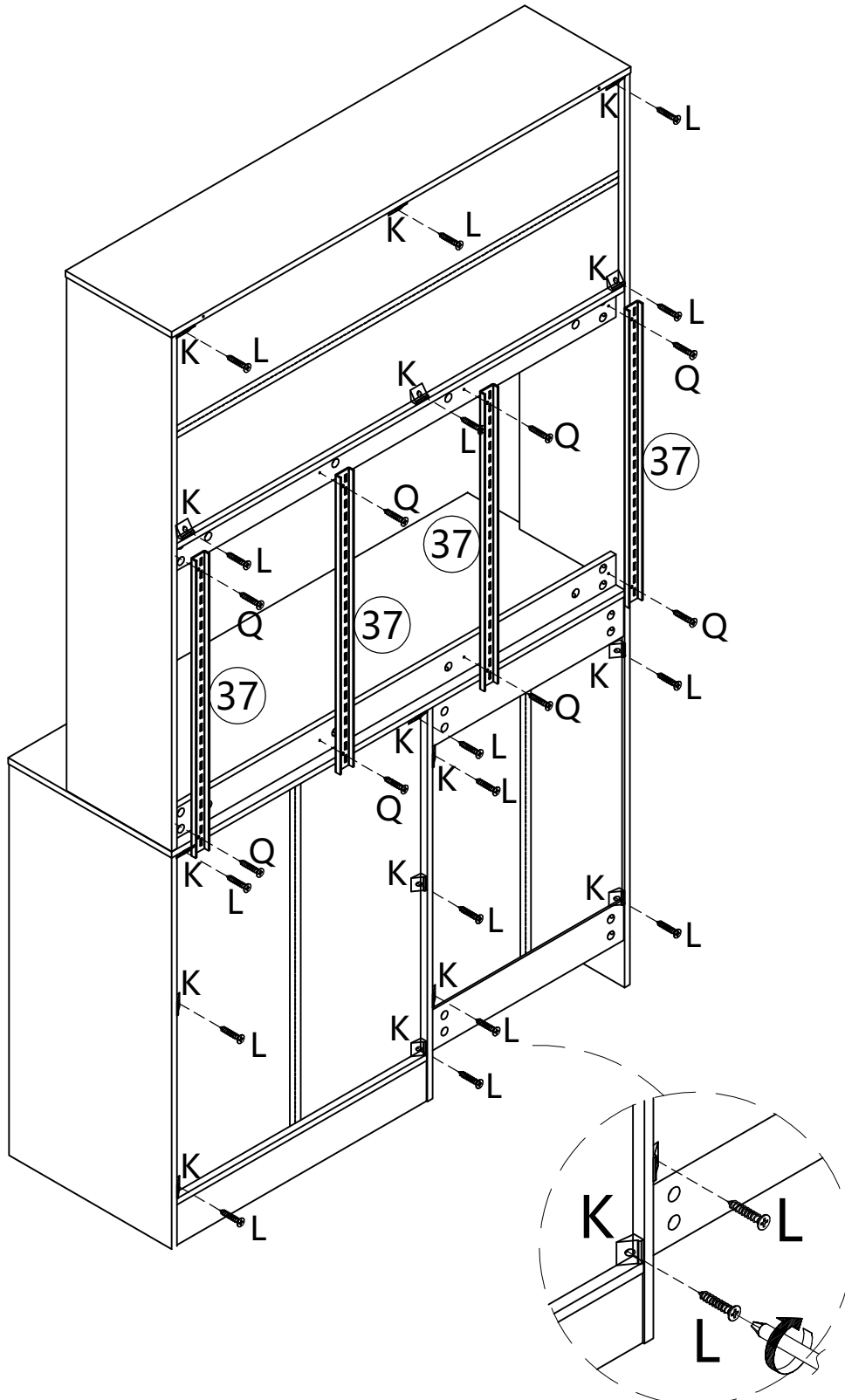
L x16



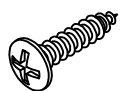
Q x8



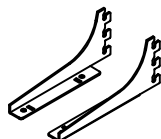
R x1



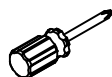
Step 29.



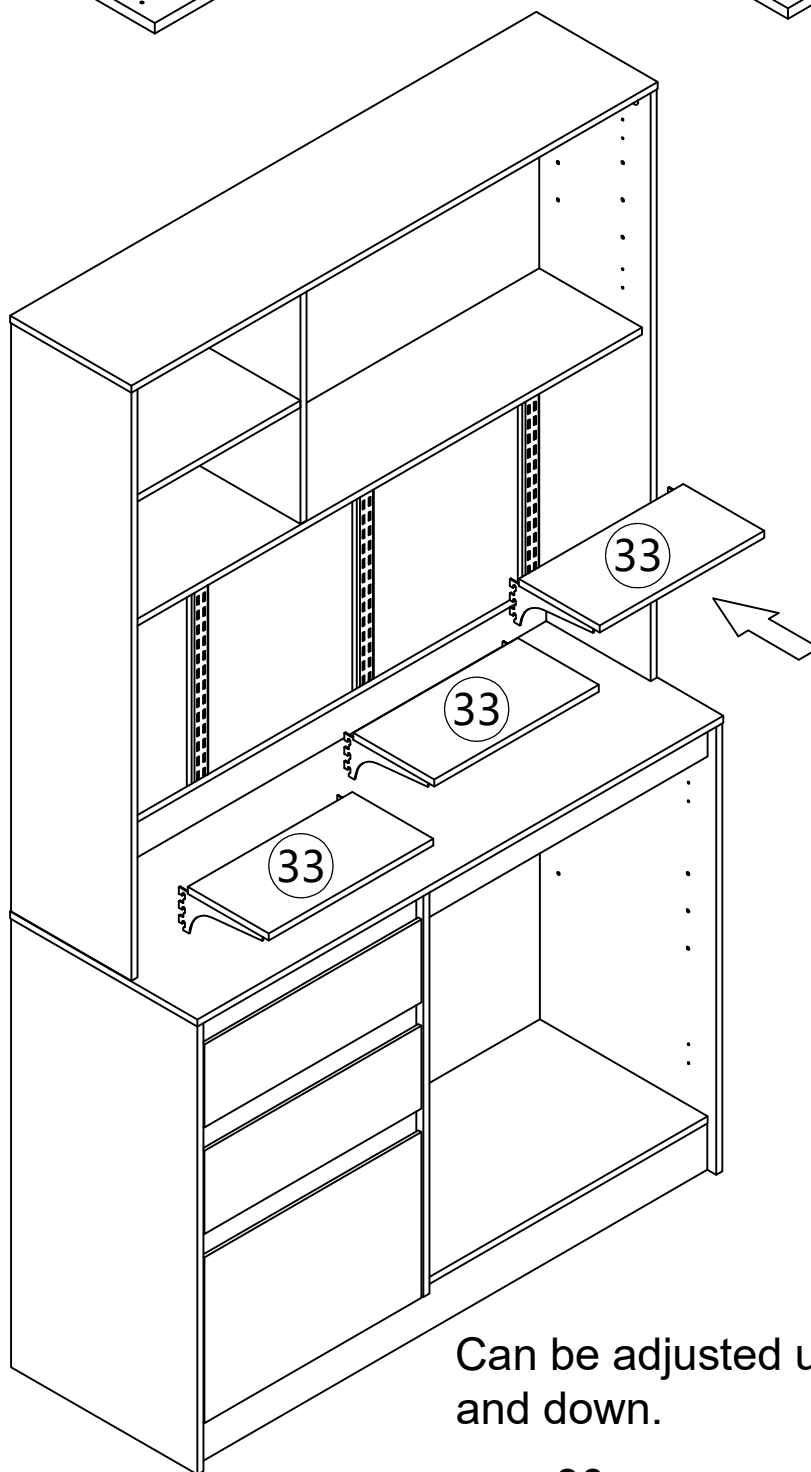
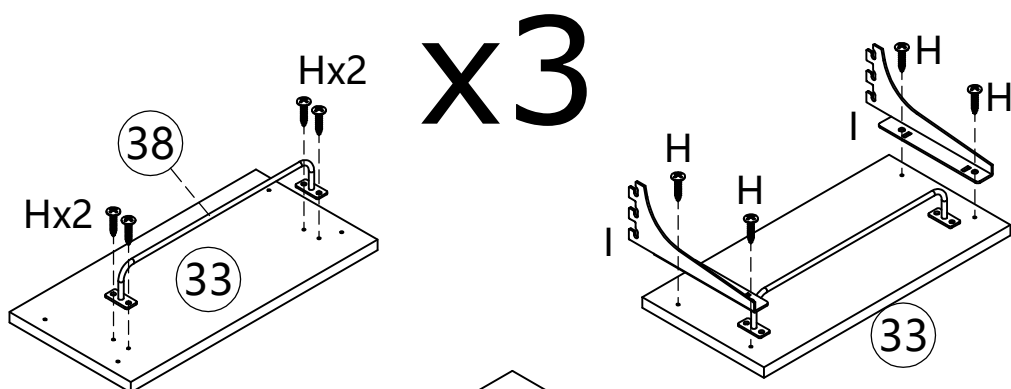
H x 24



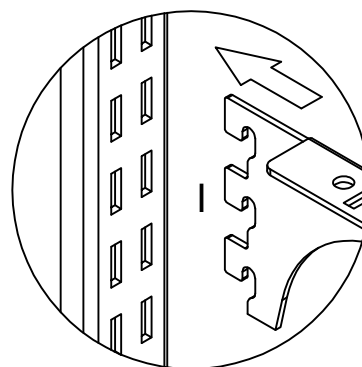
I x 3



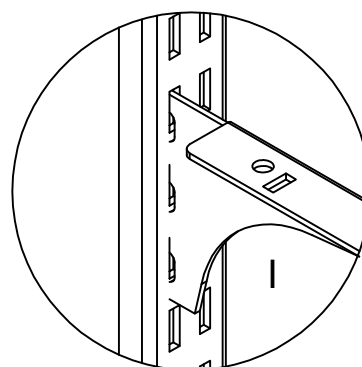
R x 1



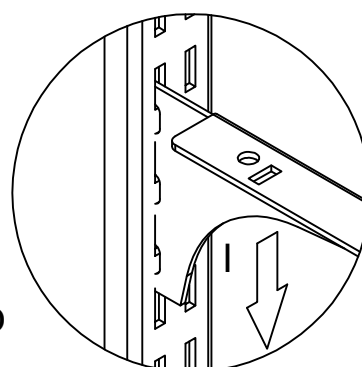
Step 1



Step 3

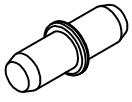


Step 3



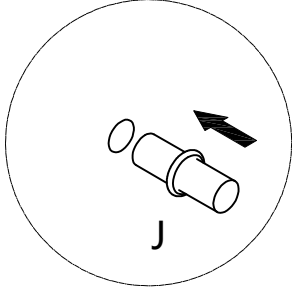
Can be adjusted up and down.

Step 30.

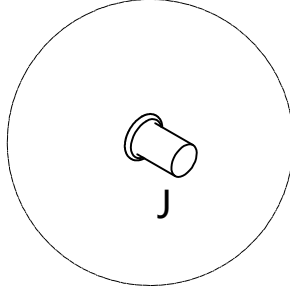


J x8

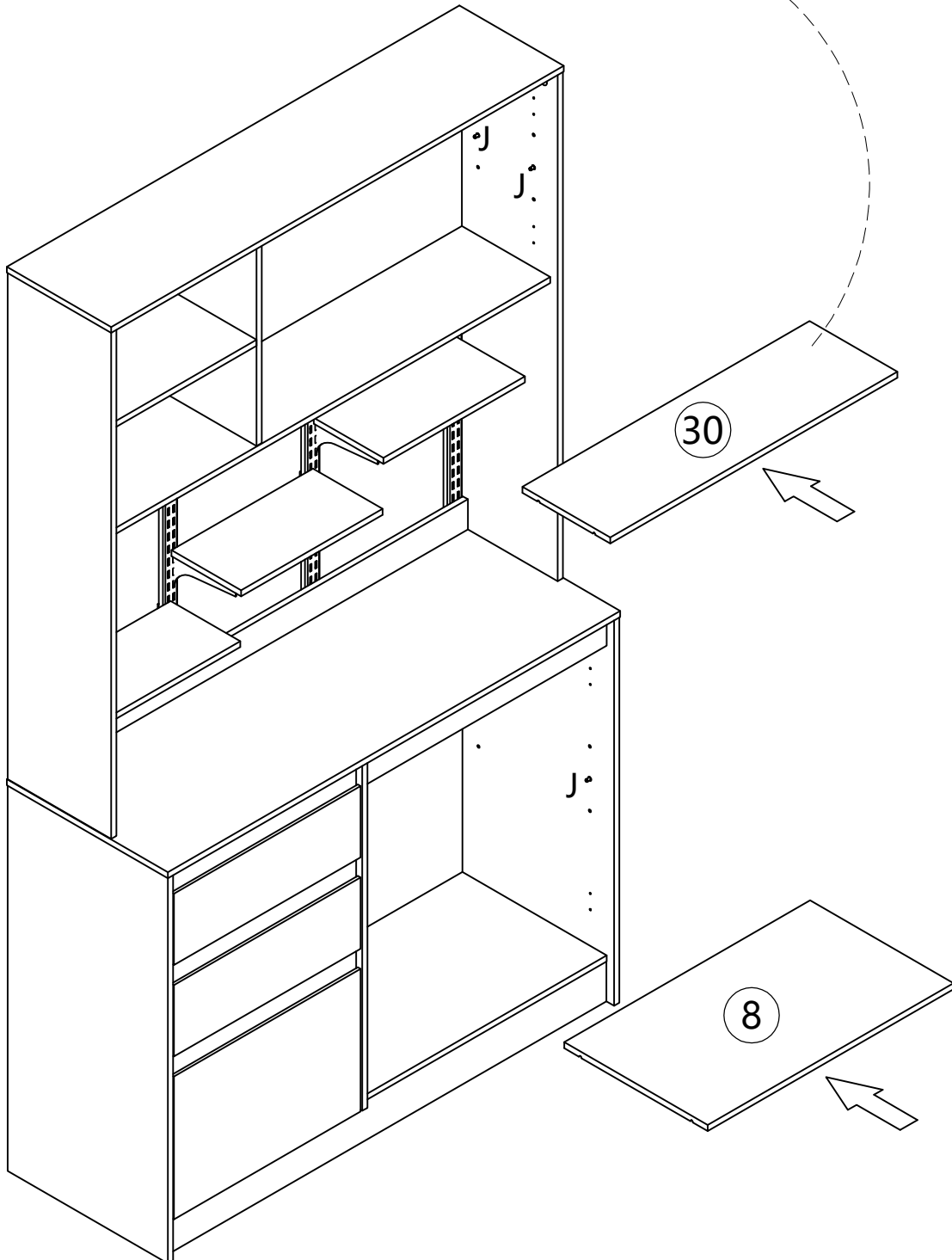
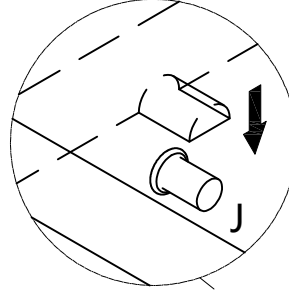
Step 1



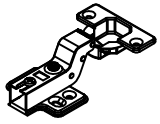
Step 2



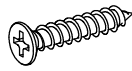
Step 3



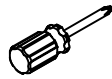
Step 31.



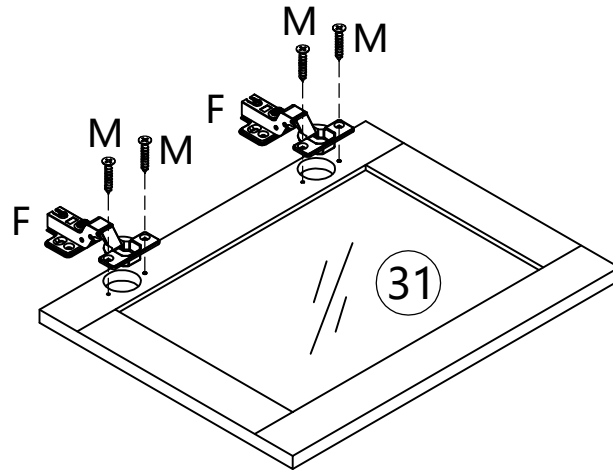
F x8



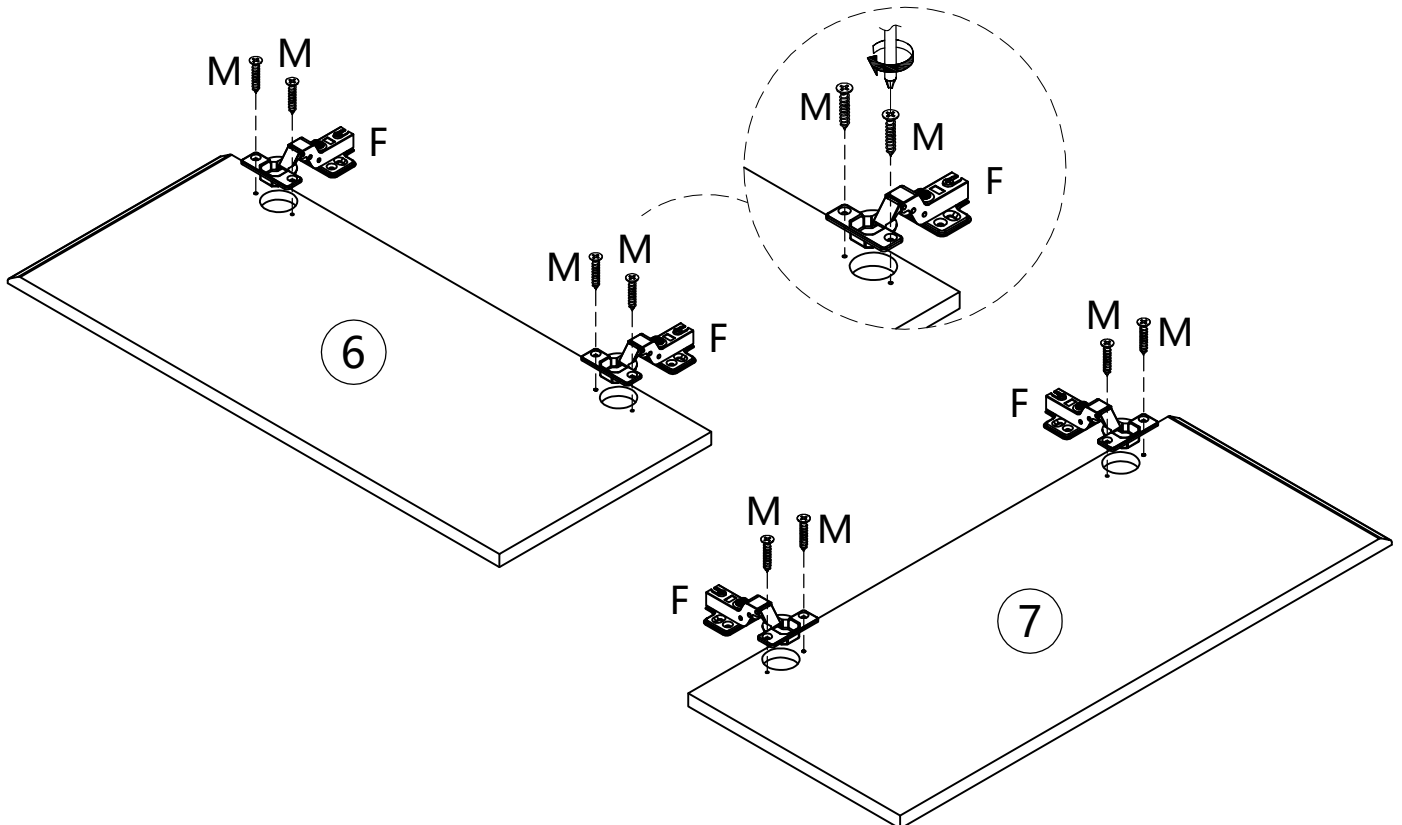
Mx16



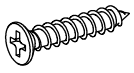
R x1



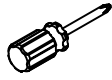
x2



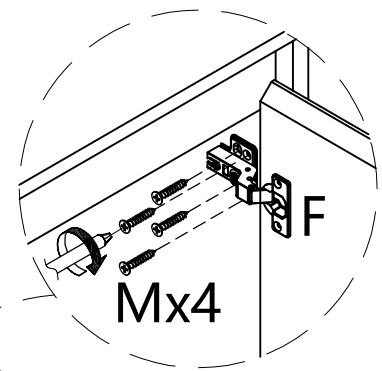
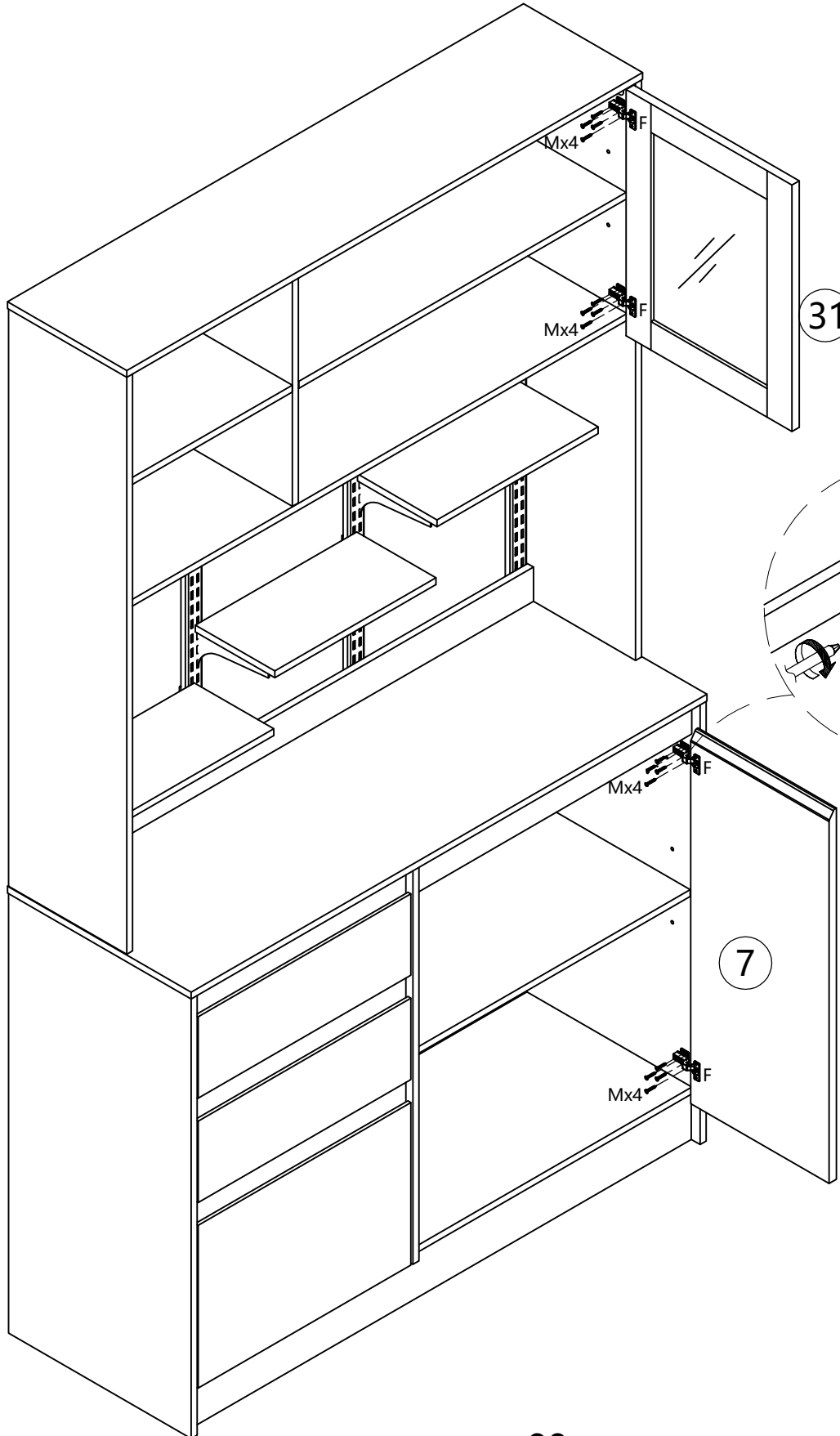
Step 32.



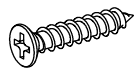
Mx16



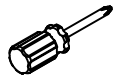
R x1



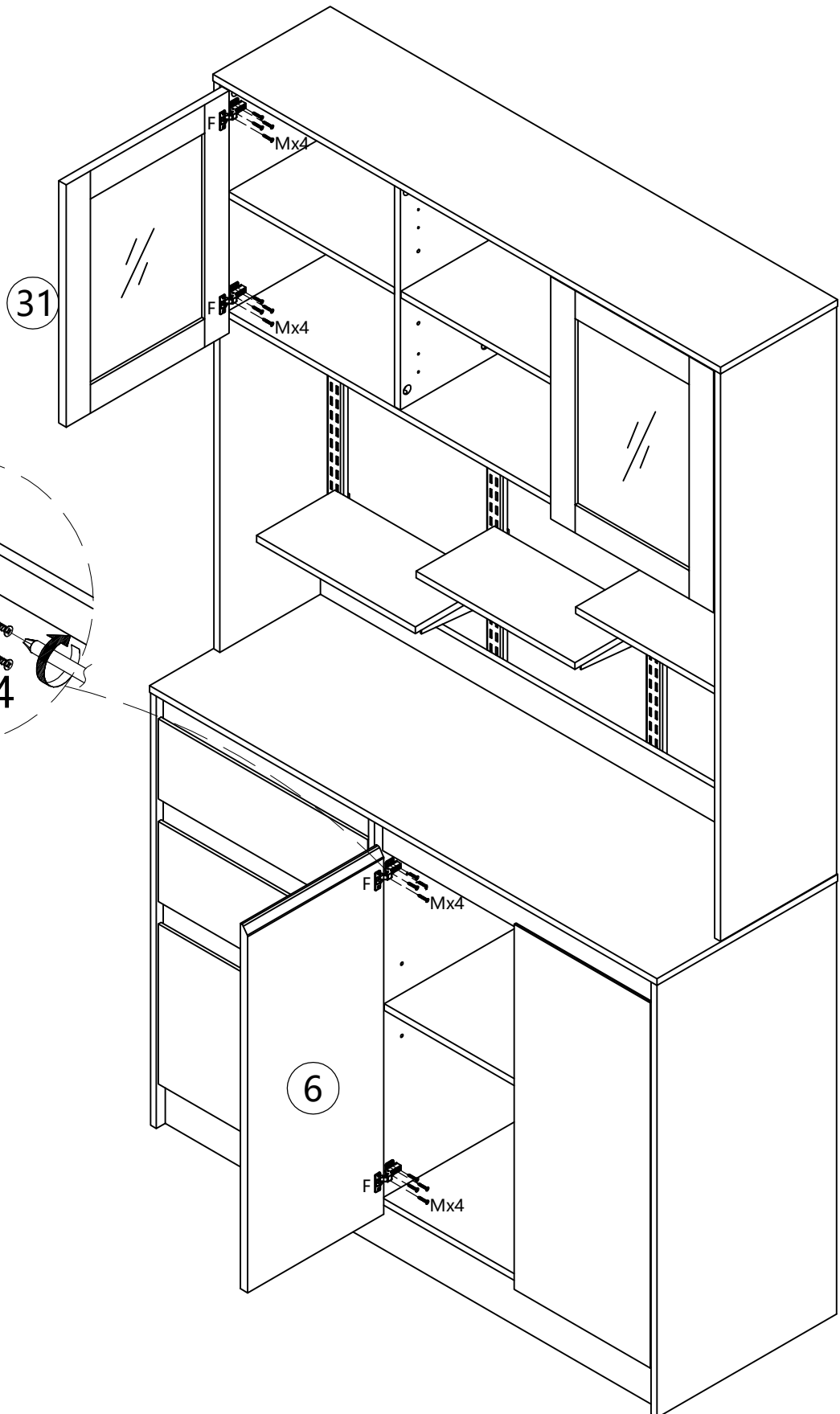
Step 33.



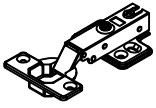
Mx16



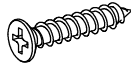
R x1



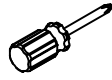
Step 34.



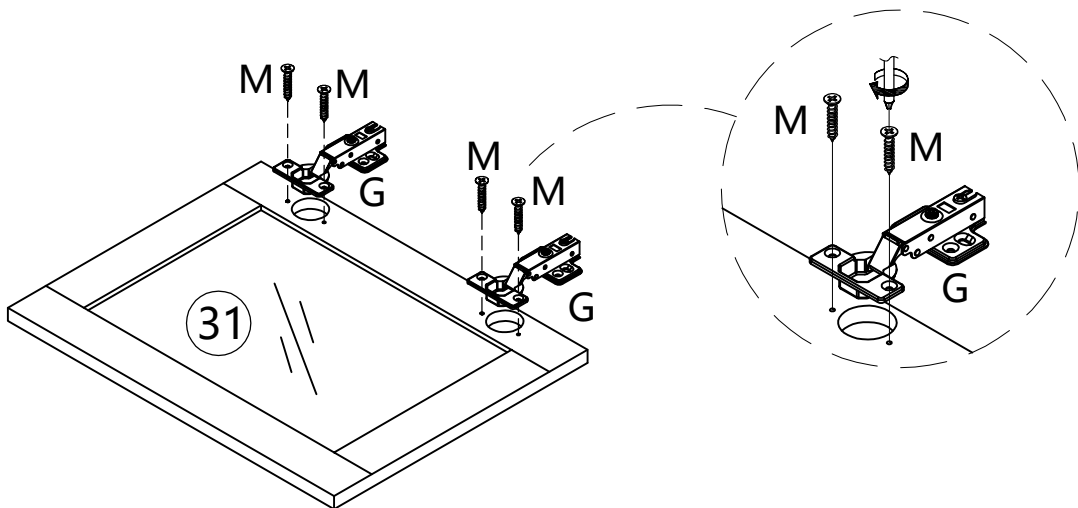
G x2



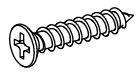
M x4



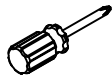
R x1



Step 35.



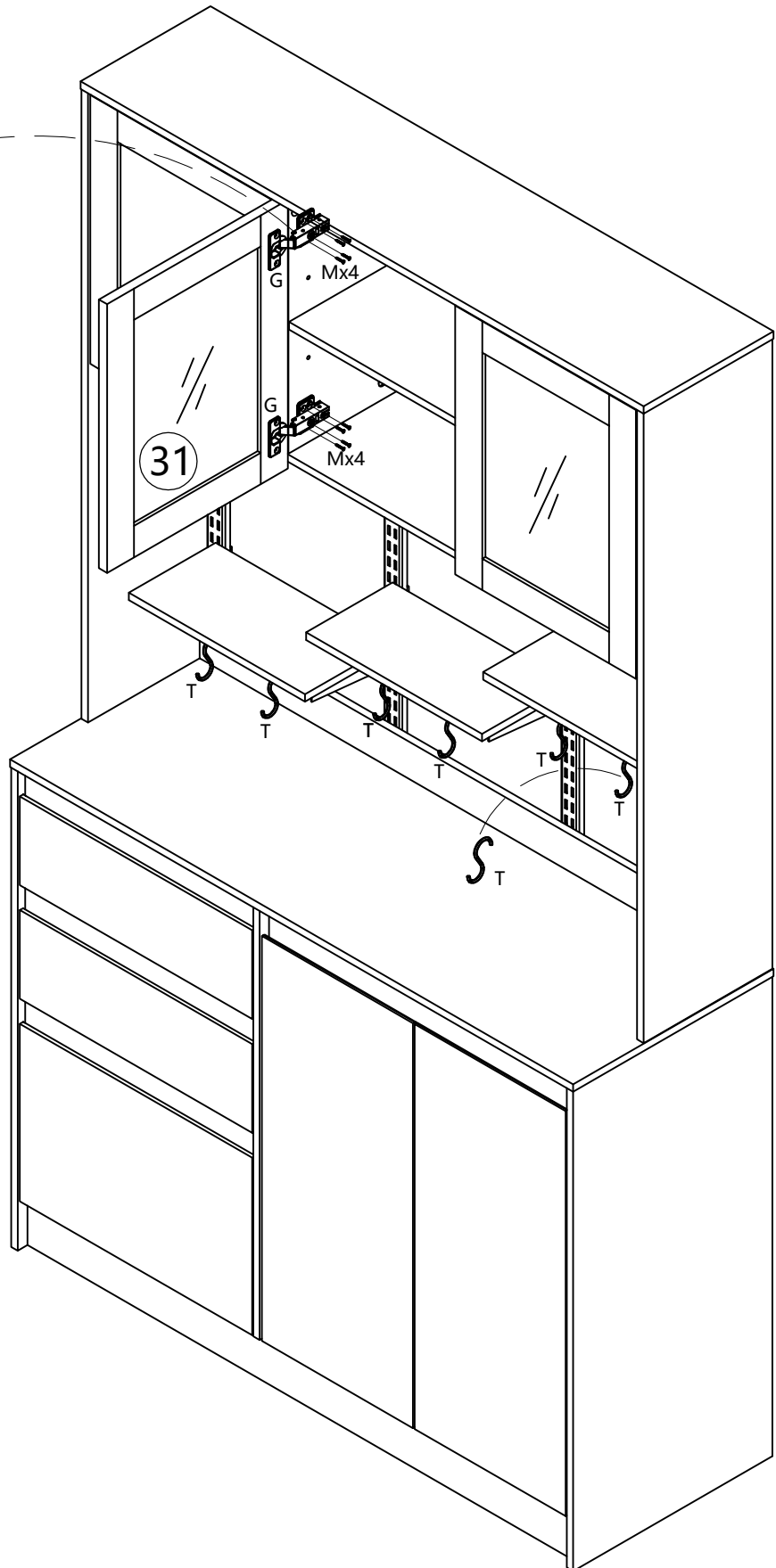
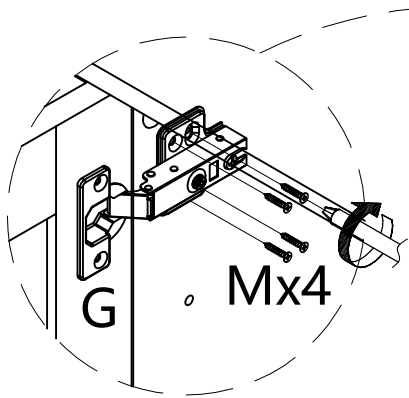
Mx8



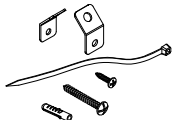
R x1



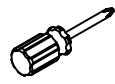
T x6



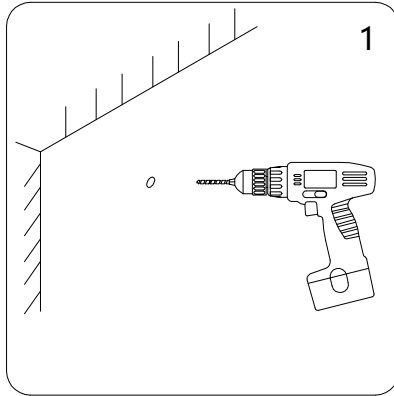
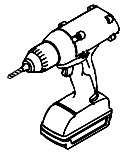
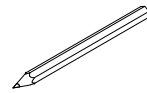
Step 36.



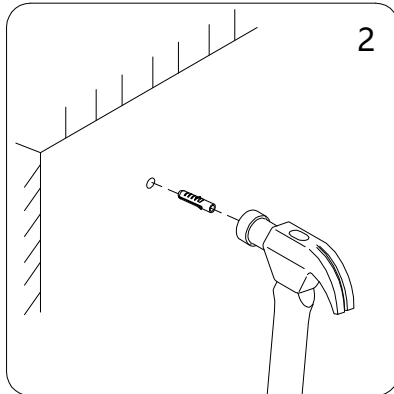
S x2



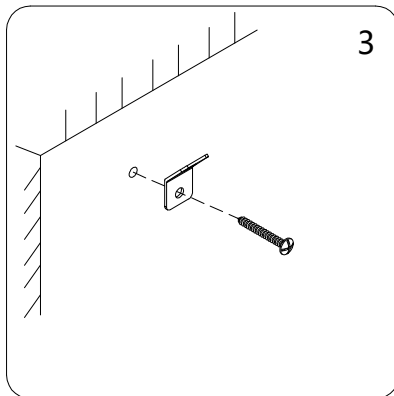
R x1



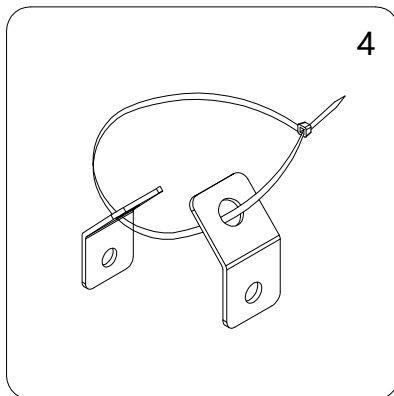
1



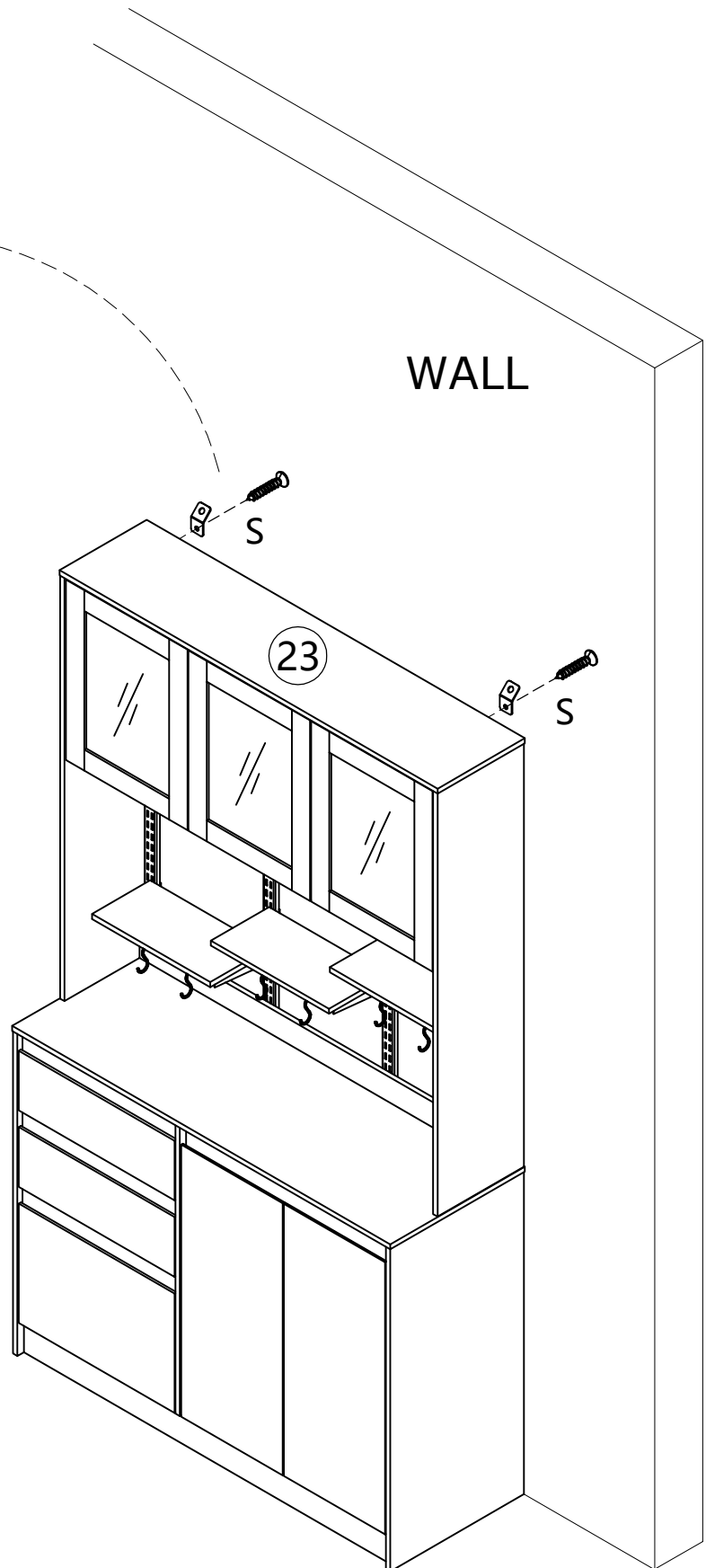
2



3

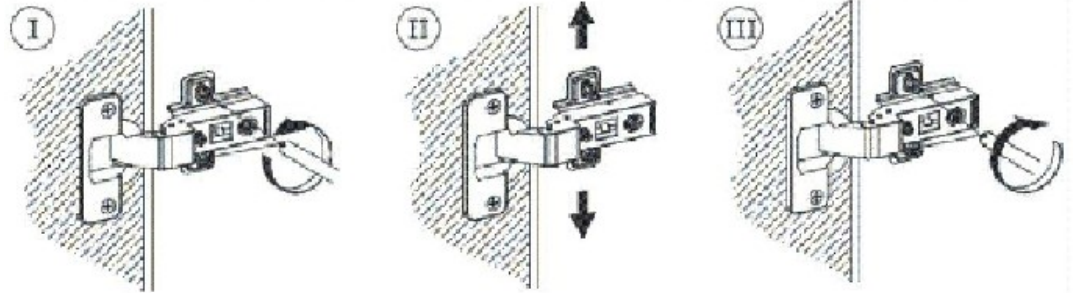
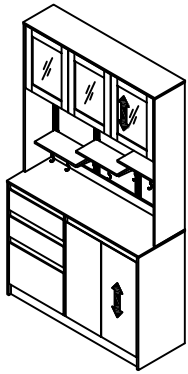


4

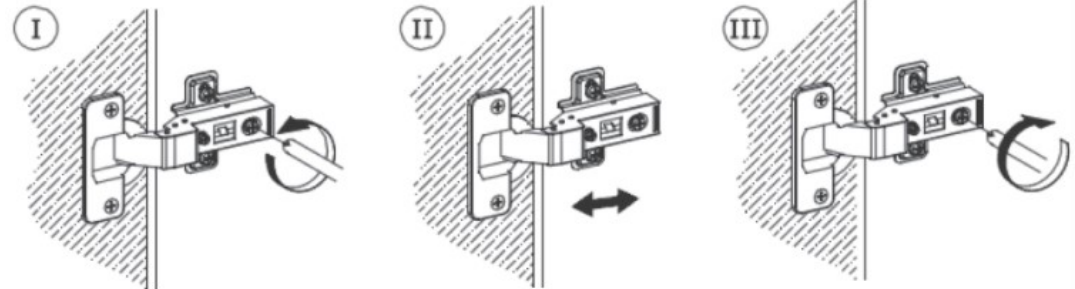
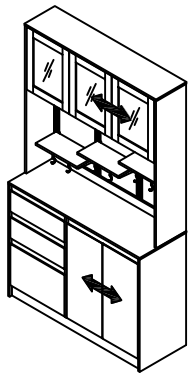


Adjust & Align Door Hinges

Up & Down Adjustment



Left & Right Adjustment



Forward & Back Adjustment

