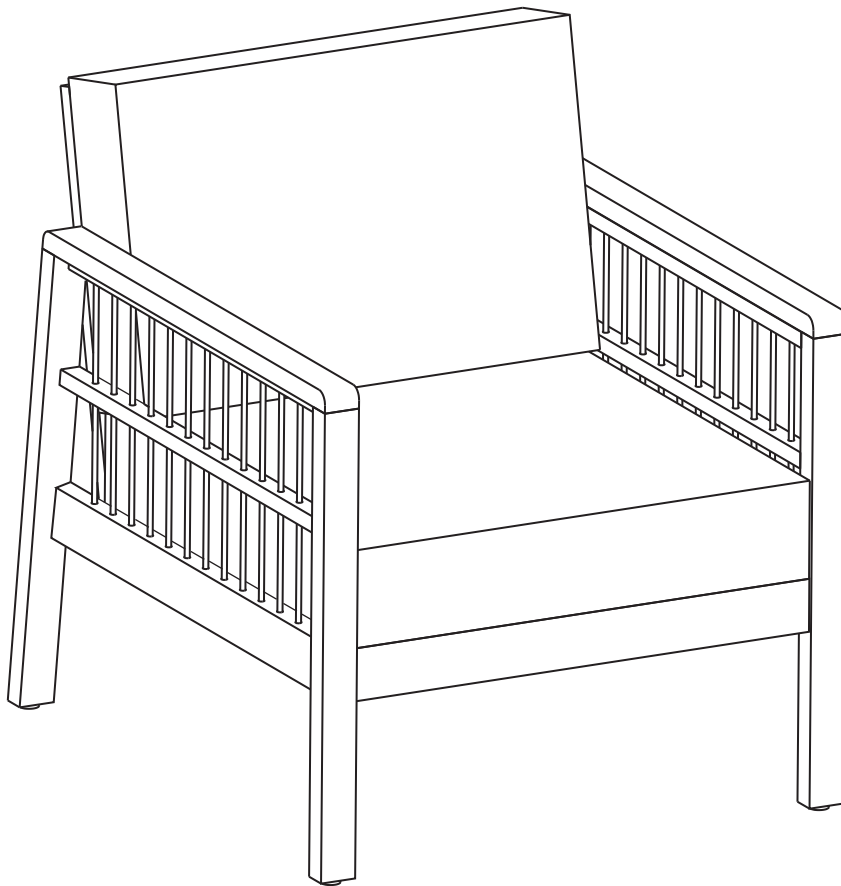


Assembly Instructions

Caution: You must read this before you proceed

Please look underneath Seat panel for hardware packs

CHAIR

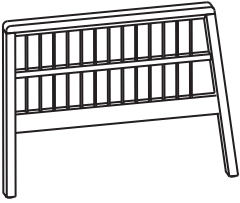
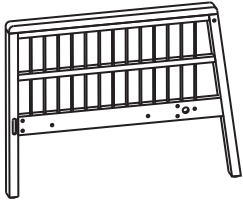
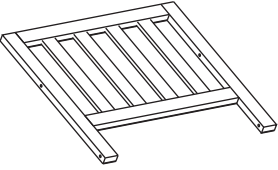
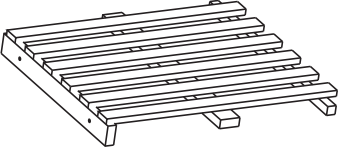
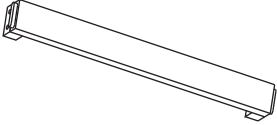
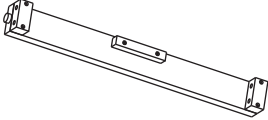
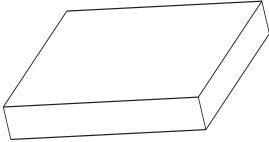
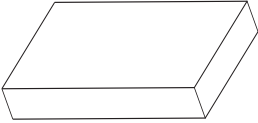


Caution: This Chair is NOT a TOY.

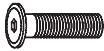



Keep your child / children at bay during the assembly process.

Whenever moving or lifting the Table and to prevent any possible damage to it, two adults are needed to execute this action.

Parts List

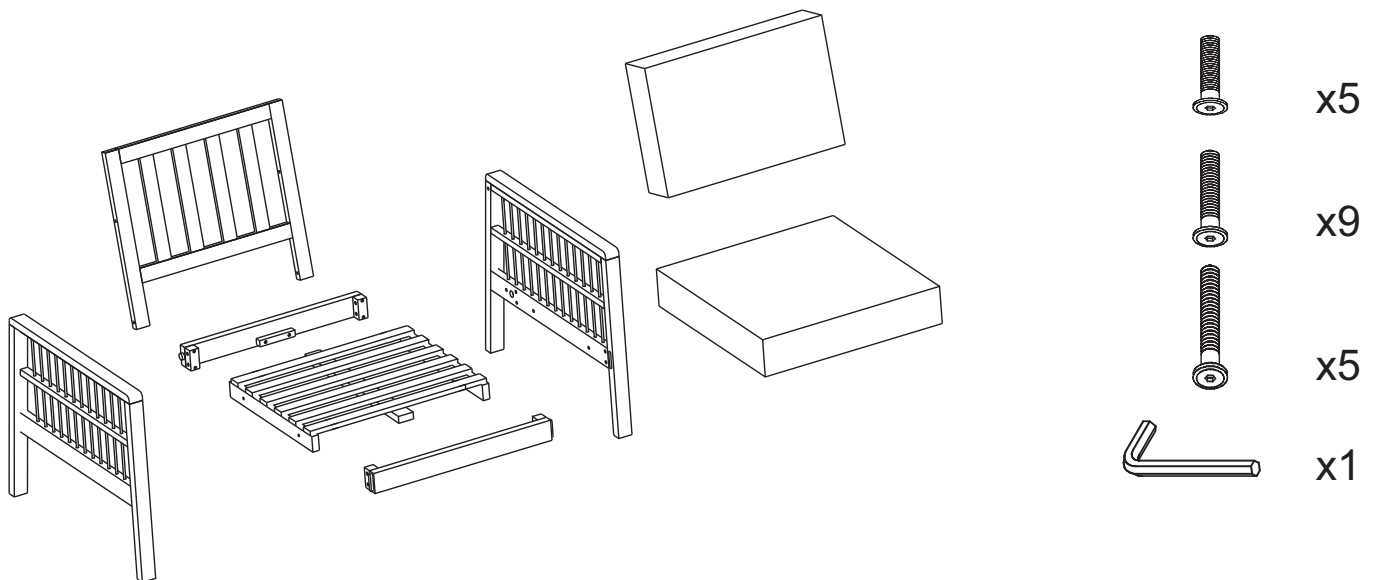
Label	Picture	Description	QTY
A		Right Leg Panel	1
B		Left Leg Panel	1
C		Backrest Panel	1
D		Seat Panel	1
E		First Support Bar	1
F		Second Support Bar	1
G		Seat Cushion	1
H		Backrest Cushion	1

Hardware

Label	Picture	Description	QTY
①		Bolt (M6x35 mm)	5
②		Bolt (M6x45 mm)	9
③		Bolt (M6x60 mm)	5
④		Allen Wrench	1

Assembly Preparation

Before Beginning Assembly:



- Read instructions, cover to cover-



- Have 2 adults on hand for assembly-



- Do not assemble on flooring or carpet-



- Assemble on a clean non-marring surface (packing foam)-

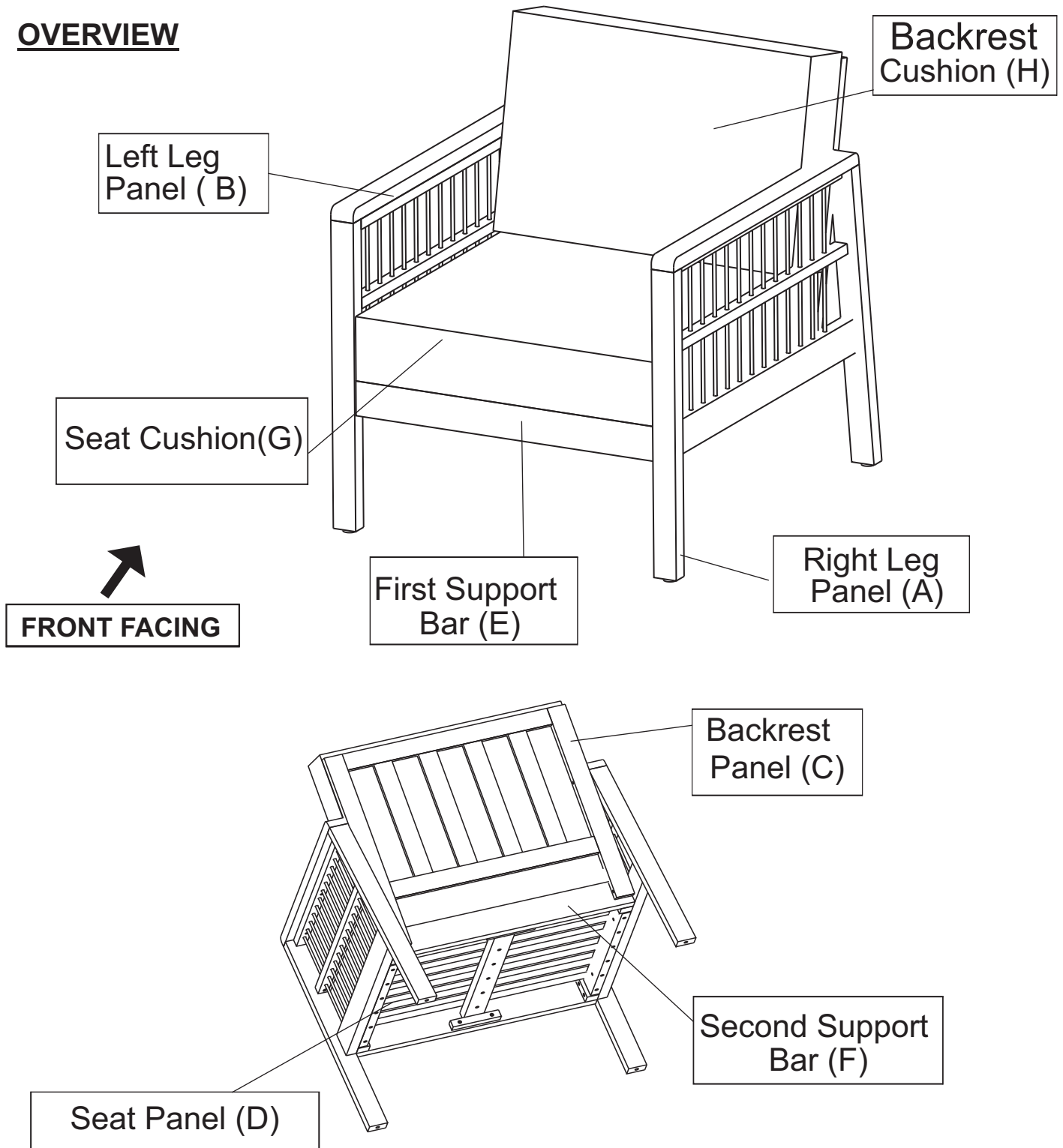


- Save all packaging until finished-

Assembly Preparation

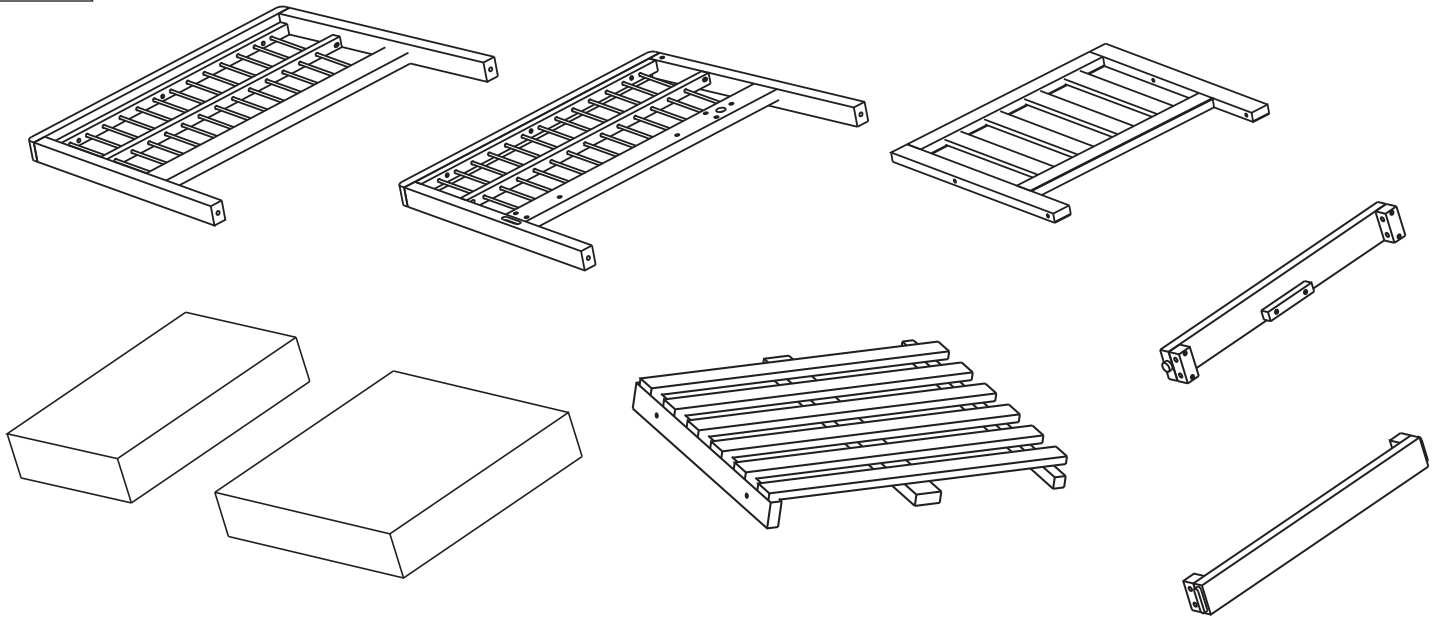
Before Beginning Assembly:

OVERVIEW



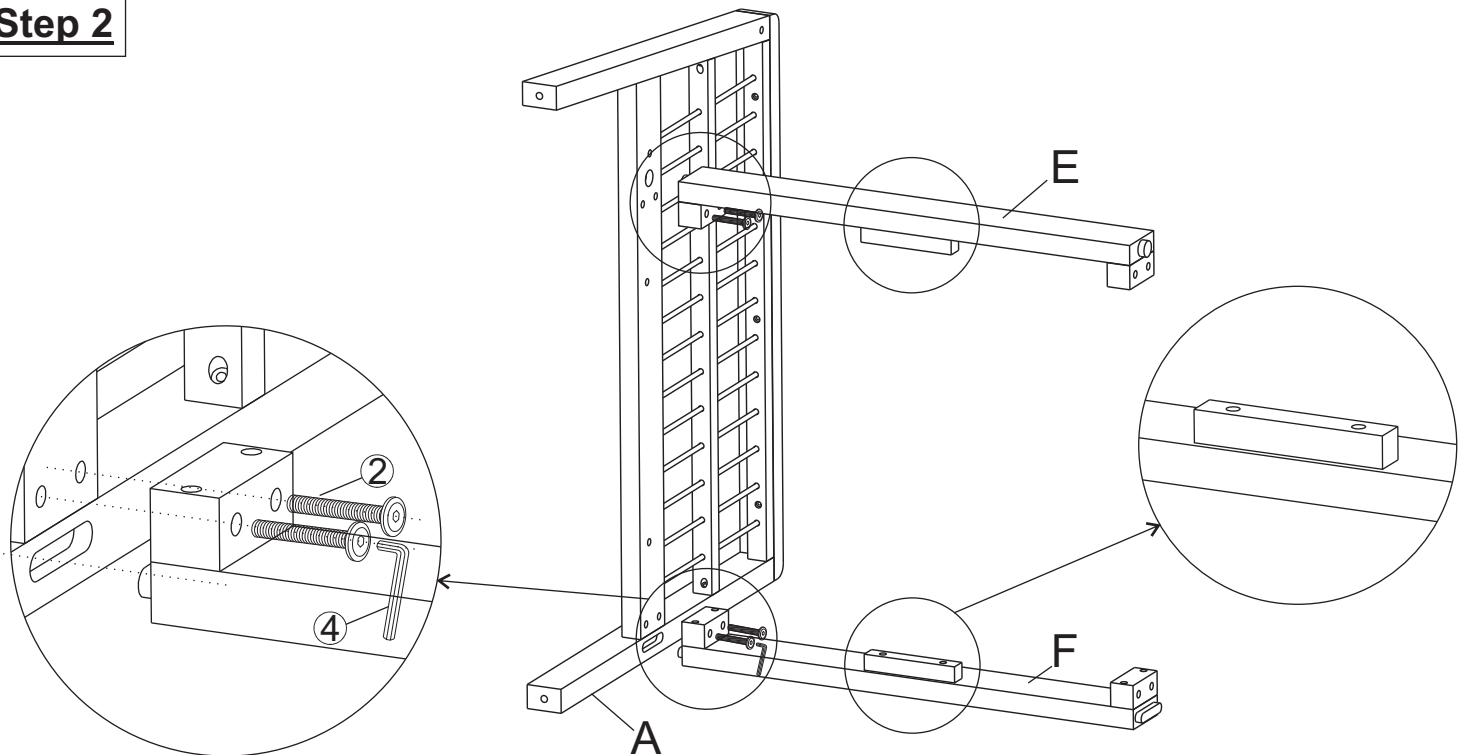
This Chair has multiple parts and may require up to 30 minutes to assemble. To give you an overview of the Chair parts, the above picture is to help you put the various parts into perspective. Please read through the instructions below to familiarise yourself with the parts and steps before assembly.

Step 1



Unpack and place all parts on a clean, non-marring surface.

Step 2

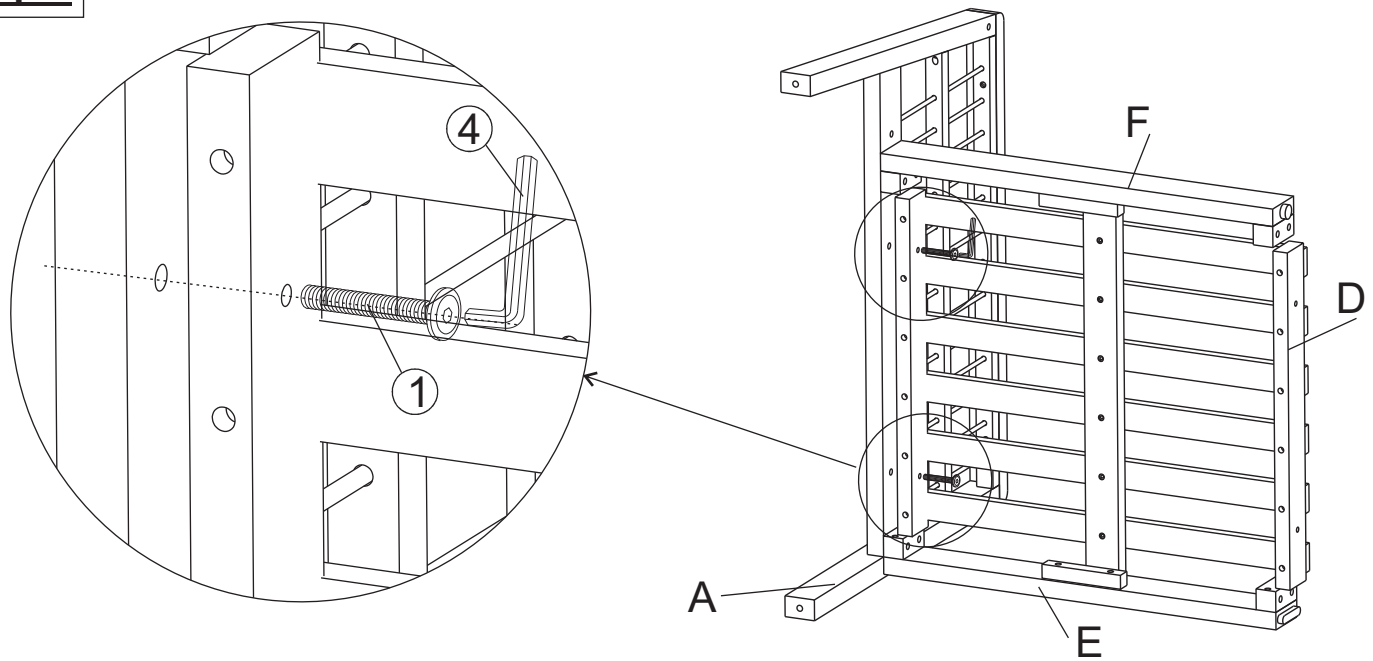


With the help of your adult partner, put the tenon of First Support Bar (E) and Second Support Bar (F) into the mortise of the Right Leg Panel (A) then secure the First Support Bar (E) and Second Support Bar (F) to the Right Leg Panel (A) using Bolts (2) and the Allen Wrench (4) as shown above

Do not fully tighten Bolts.

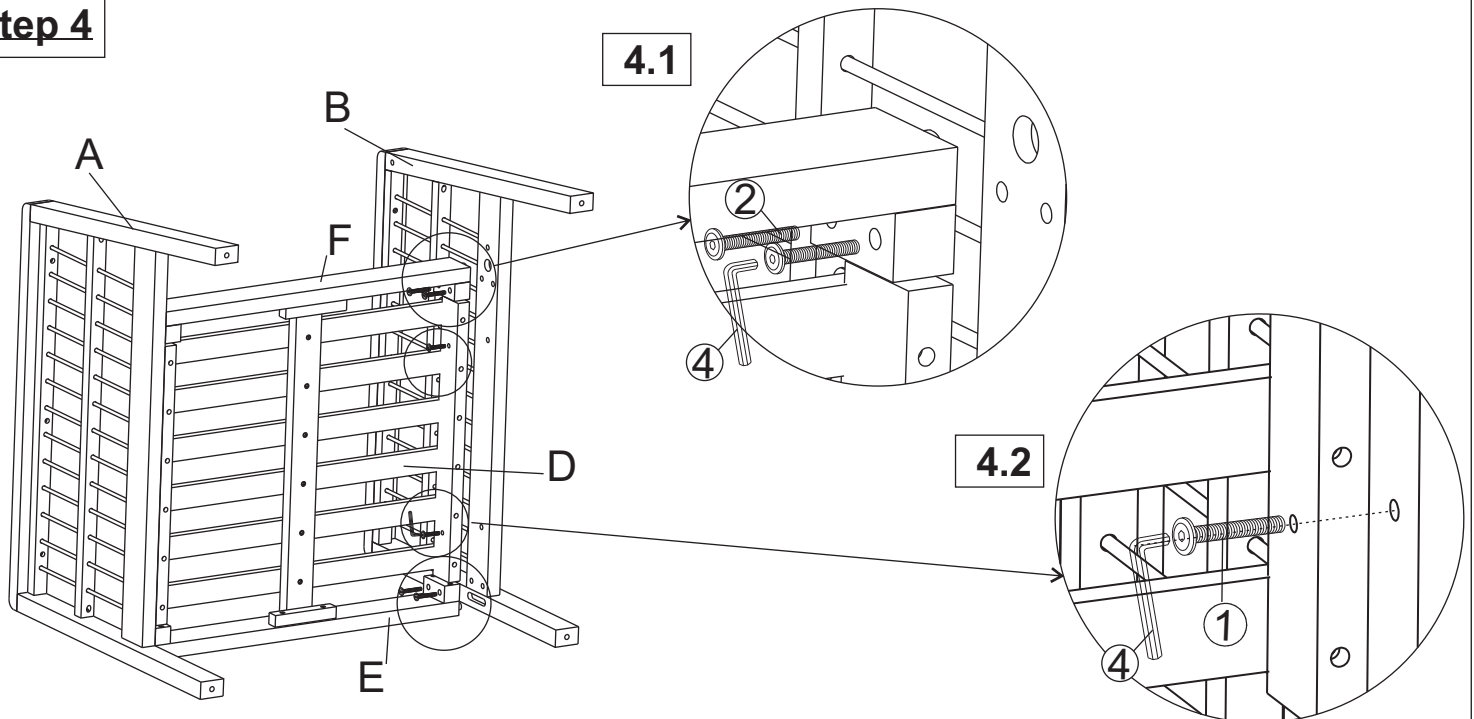
Note: The Wooden Block on the First Support Bar (E) and Second Support Bar (F) shall be opposite of each other

Step 3



Attach the Seat Panel (D) to the assemble in step 2, then secure the Seat Panel (D) to the Right Leg Panel (A) using 2 Bolts (①) and the Allen Wrench (④)
Do not fully tighten the Bolts.

Step 4



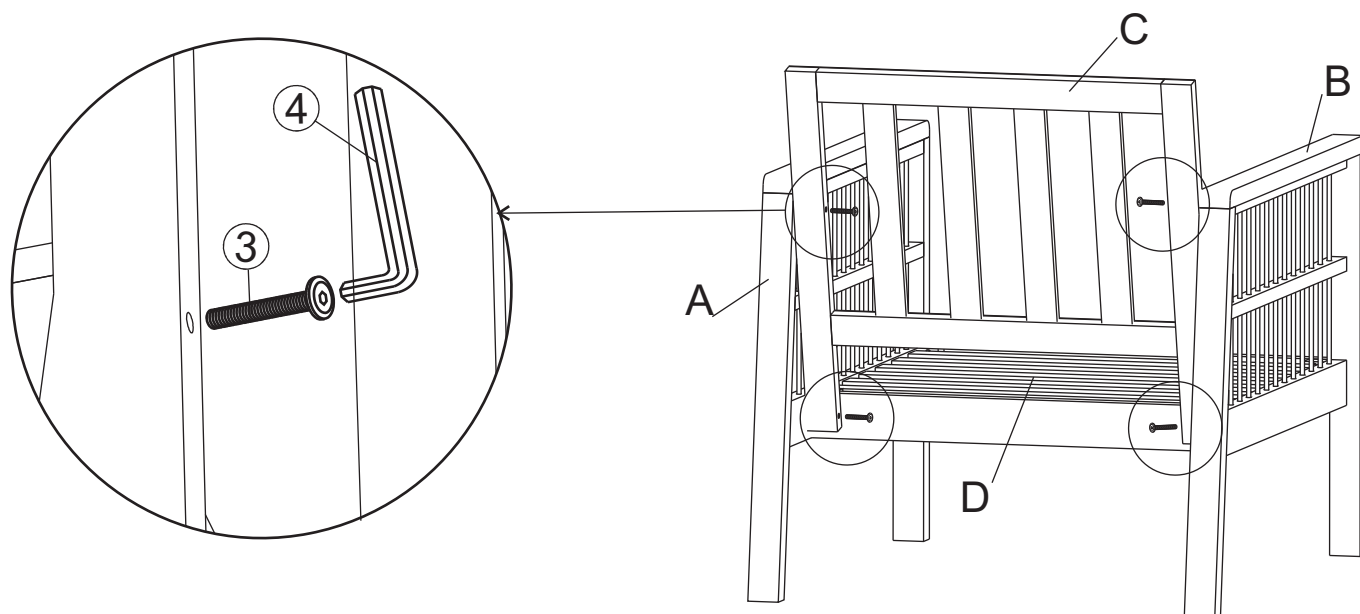
With assistance from your adult partner, position the assembly in step 3 to the Left Leg Panel (B):

4.1. Position the First Support Bar (E) and Second Support Bar (F) into the mortise of the Left Leg Panel (B) using 4 Bolts (②) and the Allen Wrench (④) as shown above

4.2. Attach the Seat Panel (D) to the Left Leg Panel (B) using Bolts (①) and the Allen Wrench (④) as shown above

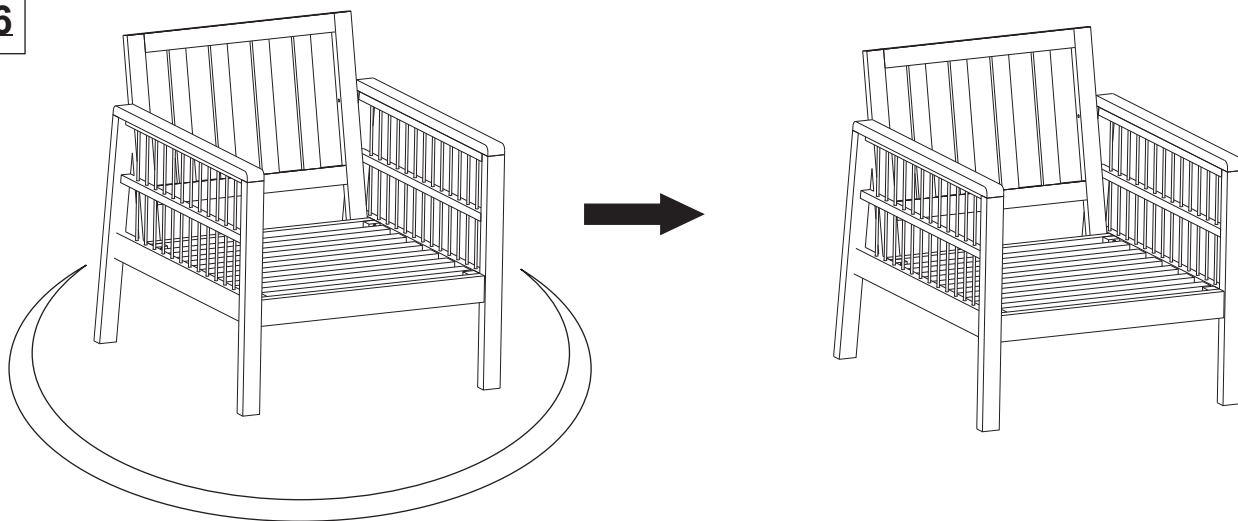
Do not fully tighten the Bolts.

Step 5



With assistance from your adult partner, stand the assembly in step 4 up, then attach the Backrest Panel (C) to the Right Leg Panel (A) and Left Leg Panel (B) using Bolts (③) and the Allen Wrench (④) as shown above
Do not fully tighten the Bolts.

Step 6



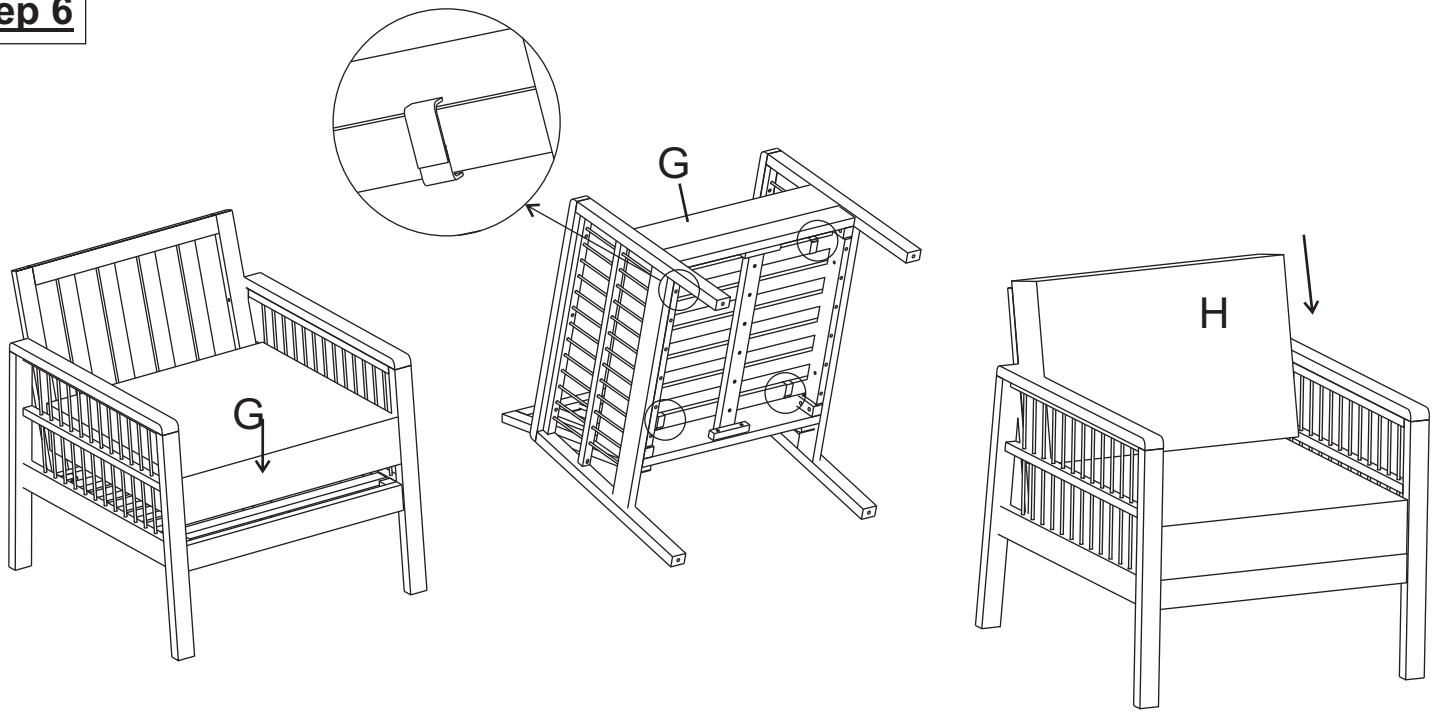
With assistance from your adult partner, stand the Chair up
Exert pressure floorwards, onto the Chair with both your hands.
This pressure will help the Legs and Chair reach full alignment status.
Check for wobbles on a LEVEL surface.
If no wobbles are found proceed to tighten Bolts in a sequential manner, until evenly secured.

When tightening Bolts tighten sequentially.

Do not tighten any Bolt fully and then move on towards the next one.

If there are still wobbles after tightening, loosen the Bolts and execute the same above process.

Step 6

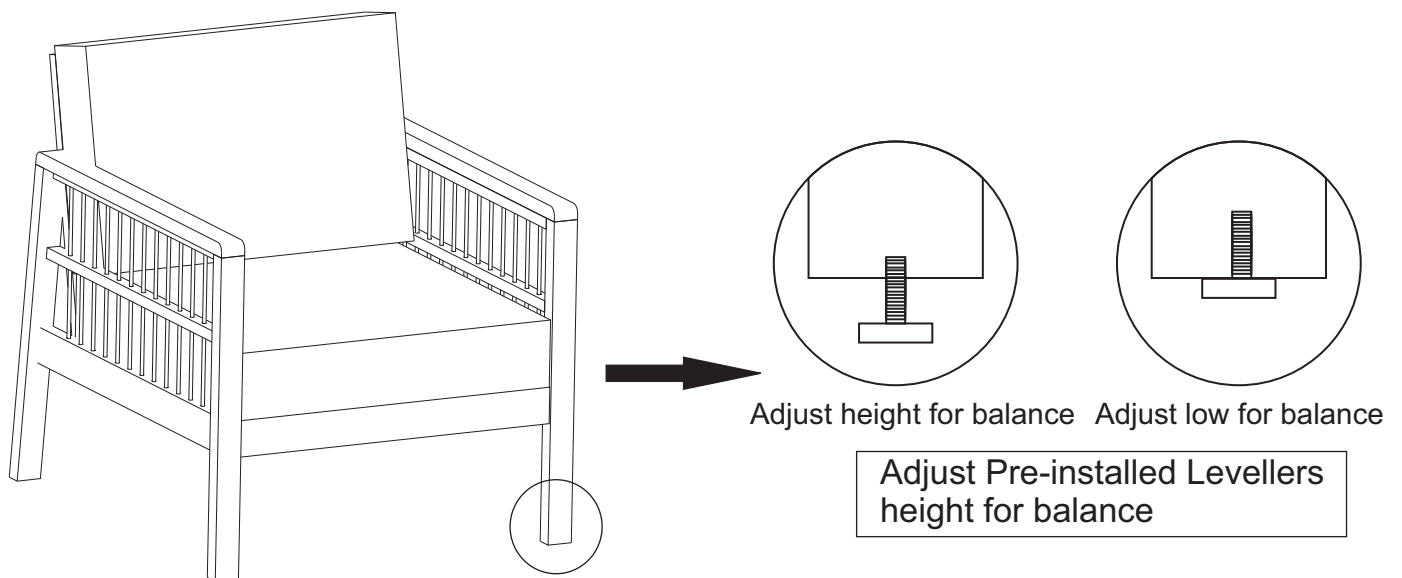


Place the Seat Cushion (G) onto the Chair

Lay the Chair on its back and tie the magic tape straps of the Seat Cushion (G) to the slats of the Seat Panel (D) as shown above

Then stand the Chair up and place the Backrest Cushion (H) onto the Chair

Step 6












Adjust the Levellers until the Chair is level with the ground.

To adjust the Levellers, get assistance from an adult partner to lift/lean and hold the Chair while you are working.

Your Chair is ready for use.

This Chair can only be used on a flat, level surface.

Care & Maintenance

- ⊘  ● Do not put hot items directly on furniture surface.
 - ⊘  ● Do not clean furniture with harsh cleansers or polish.
 - ✓  ● To obtain the longest lifespan of your outdoor products, minimizing exposure to direct sunlight is recommended.
 - ⊘  ● Children should not climb or jump on the furniture.
 - ⊘  ● Do not write on furniture without a padded barrier to protect the surface.
 - ✓  ● To obtain the longest lifespan of your outdoor products, avoid extended and lengthy exposure to rain, snow, and direct sunshine. Whenever possible cover the product and /or place under patio or awnings.
 - ⊘  ● Not for commercial use. For residential use only.
 - ⊘  ● Stains may be removed with mild soap solution and damp cloth.
 - ✓  ● Dust and pick-up spills using a clean, non-colored, lint-free cloth .
-