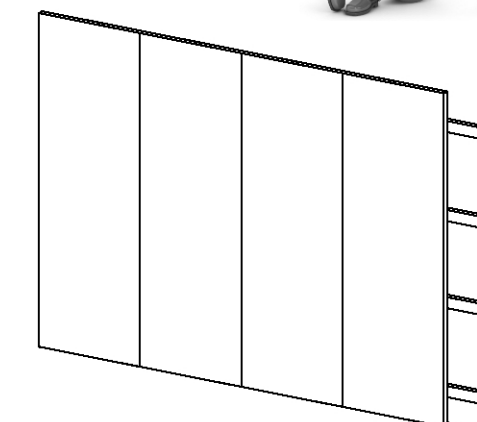
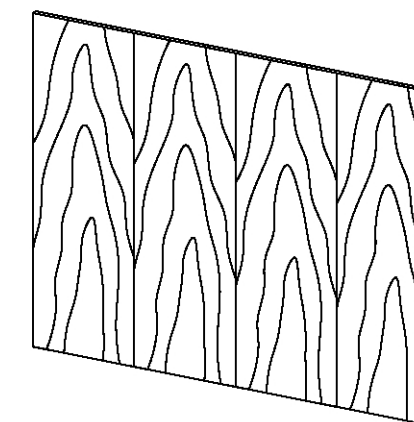
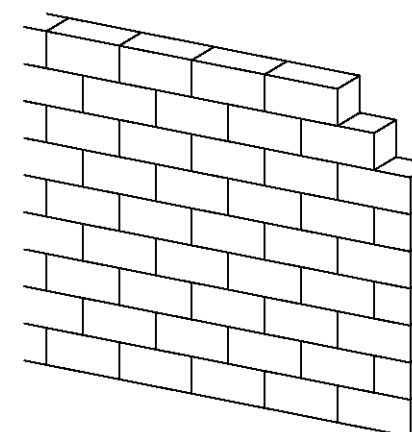
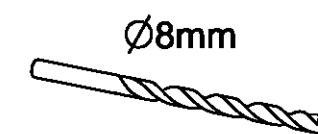
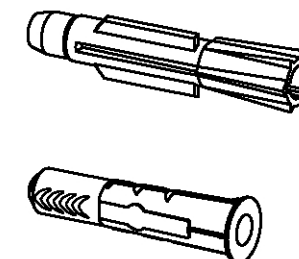
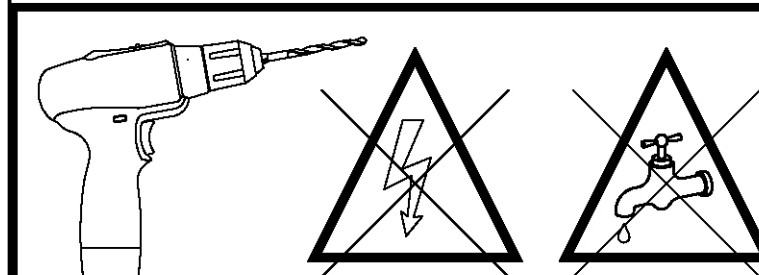
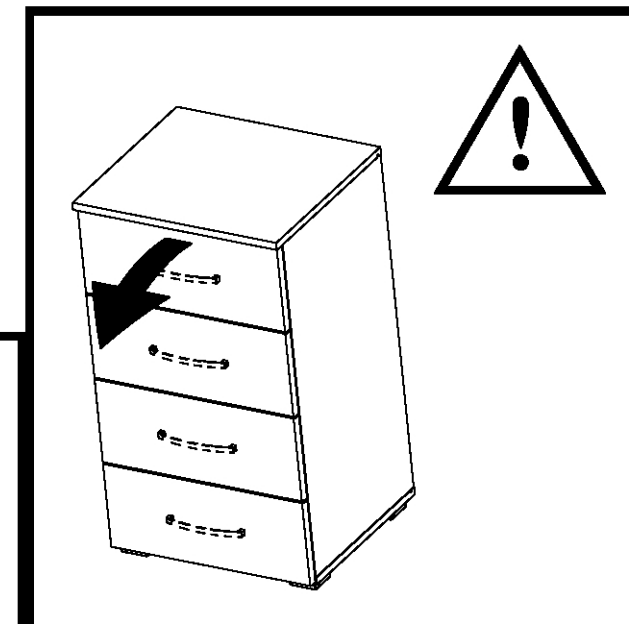
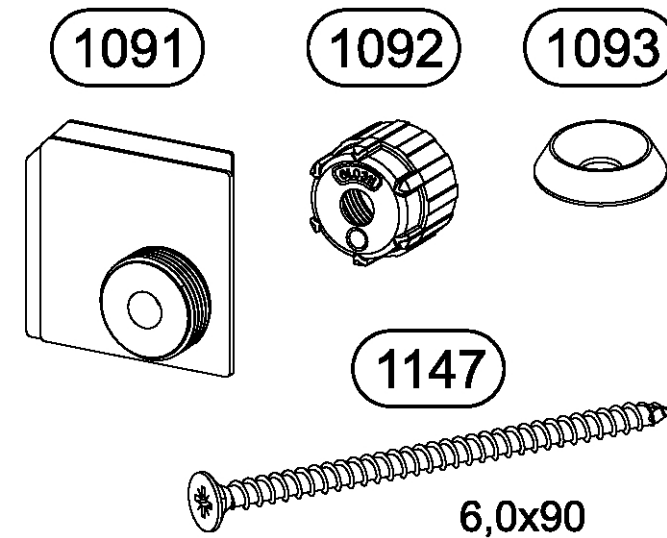
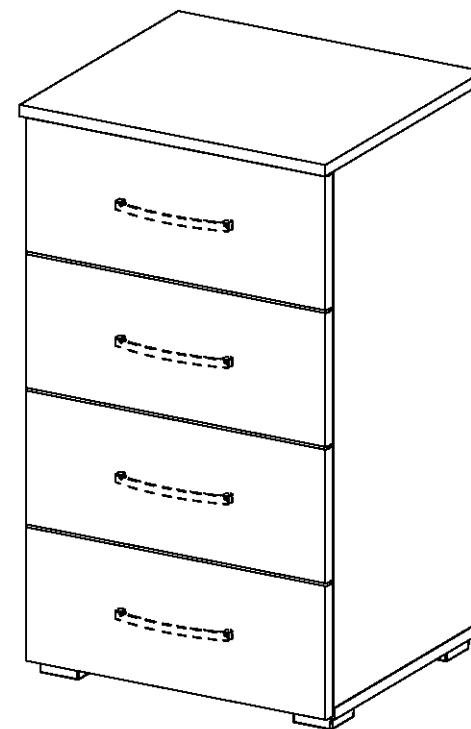
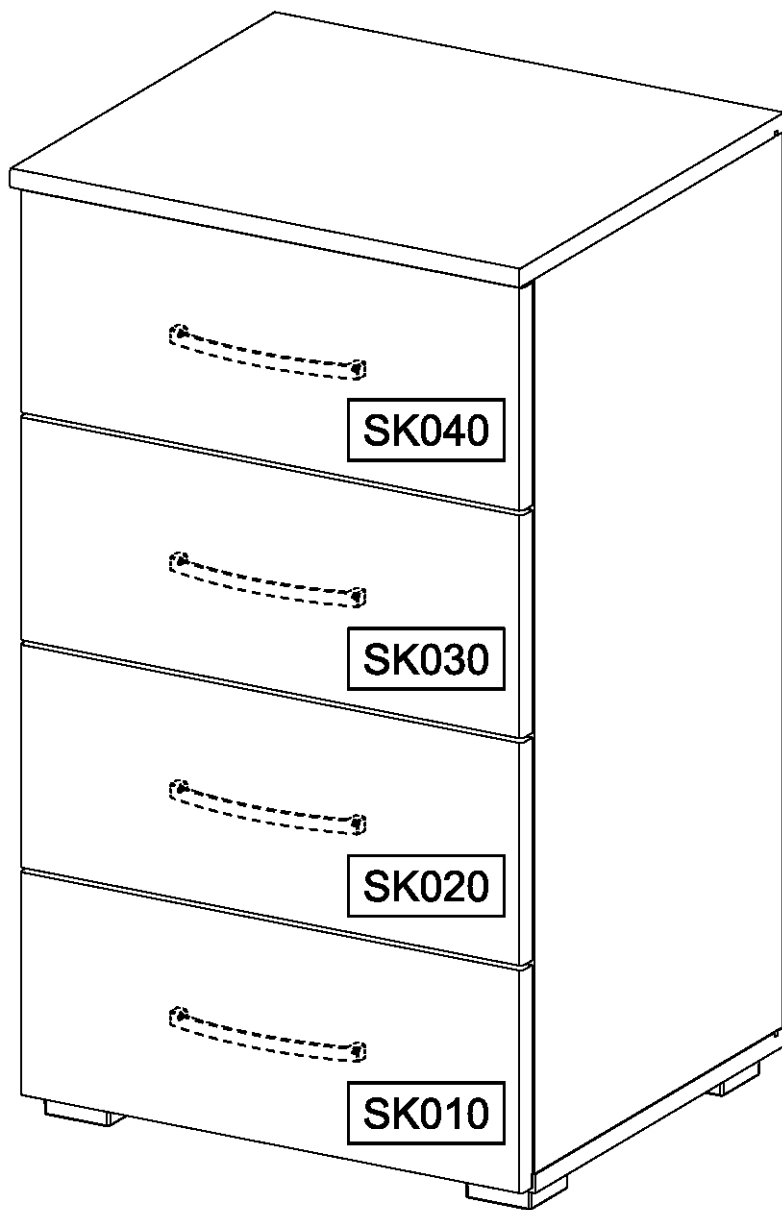
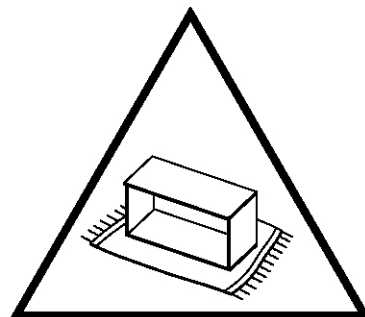
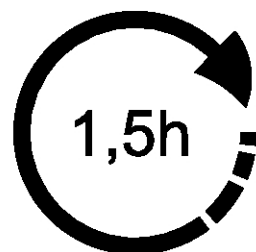
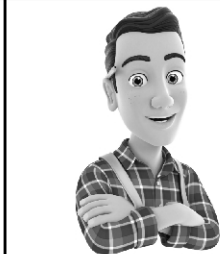
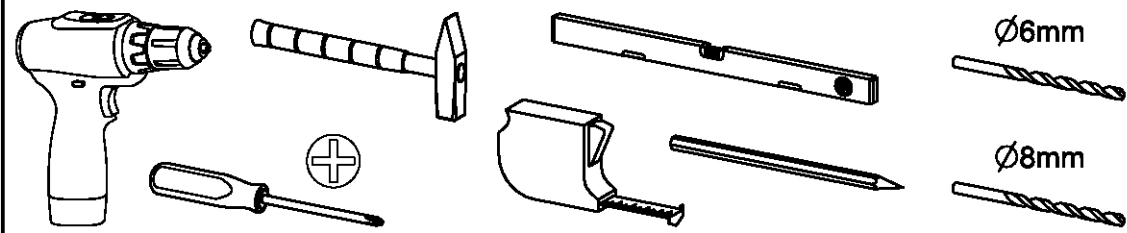
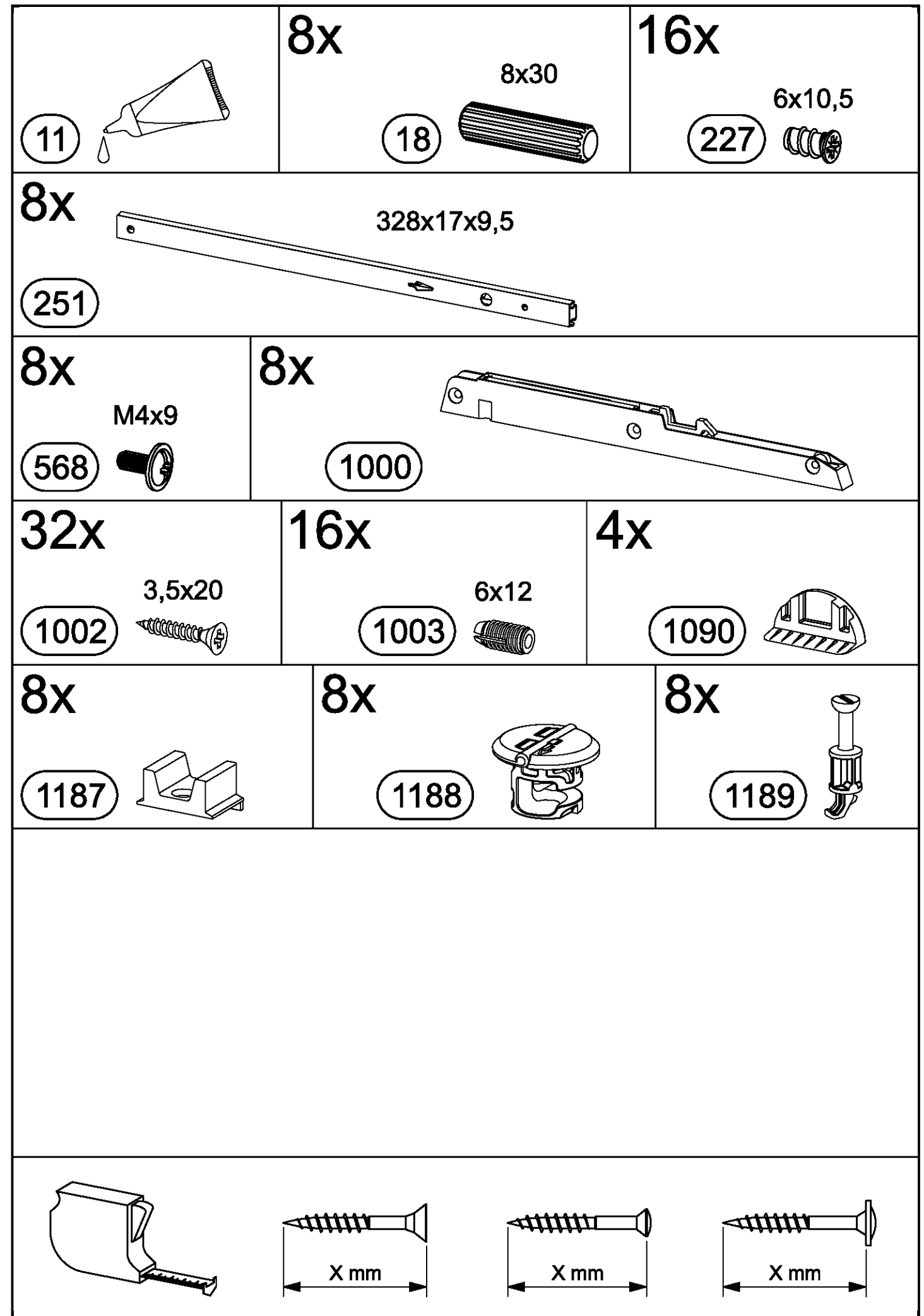
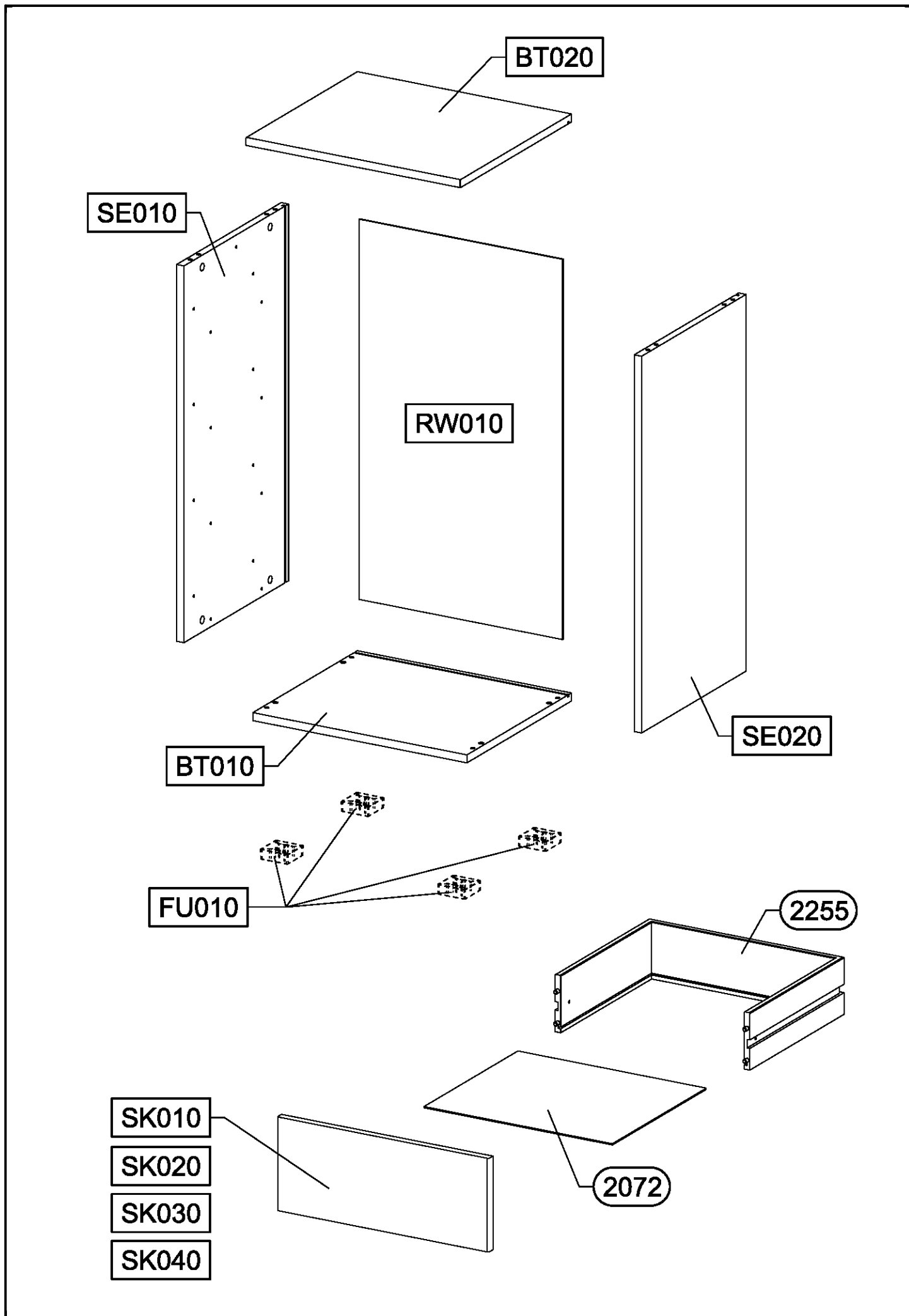
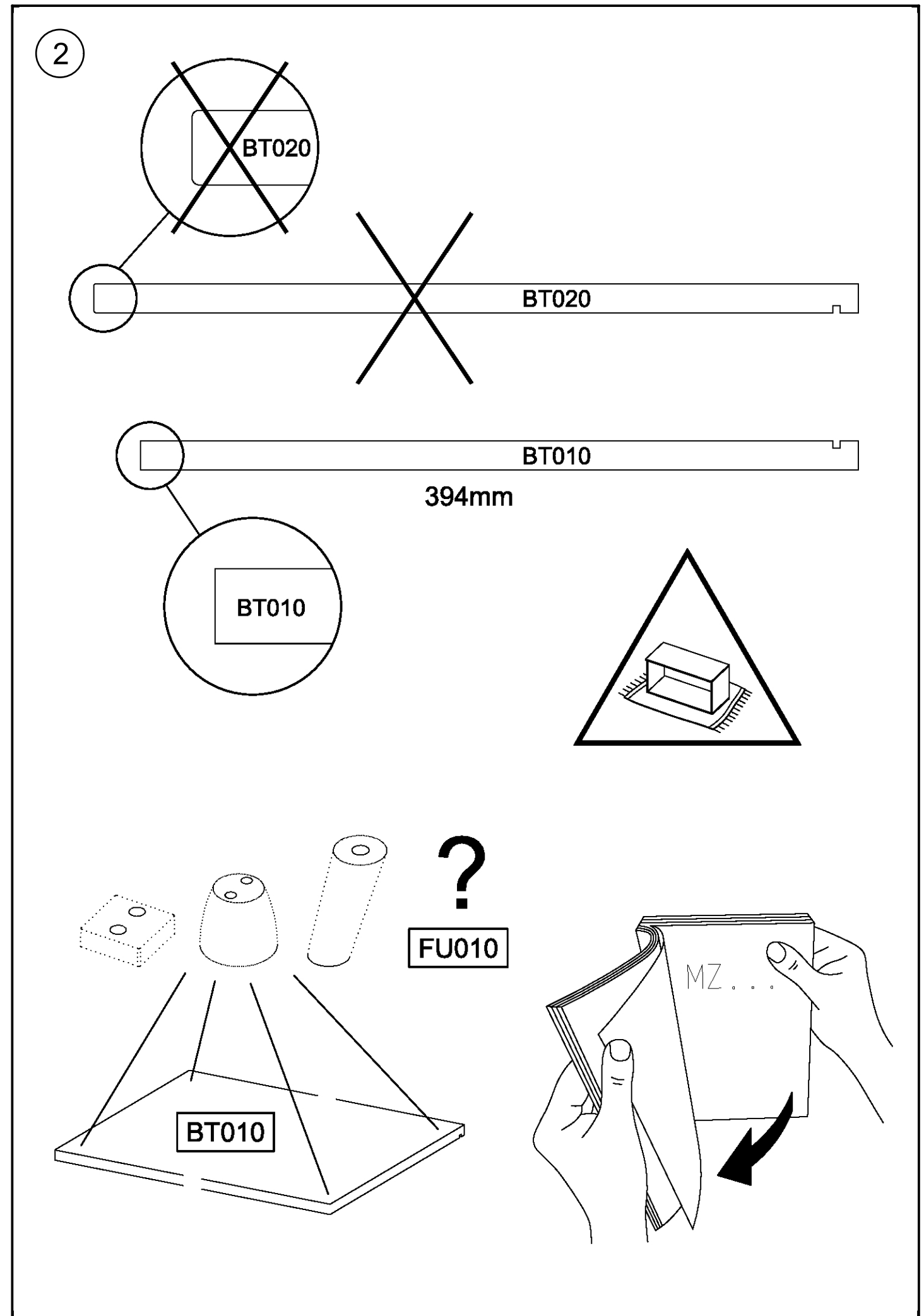
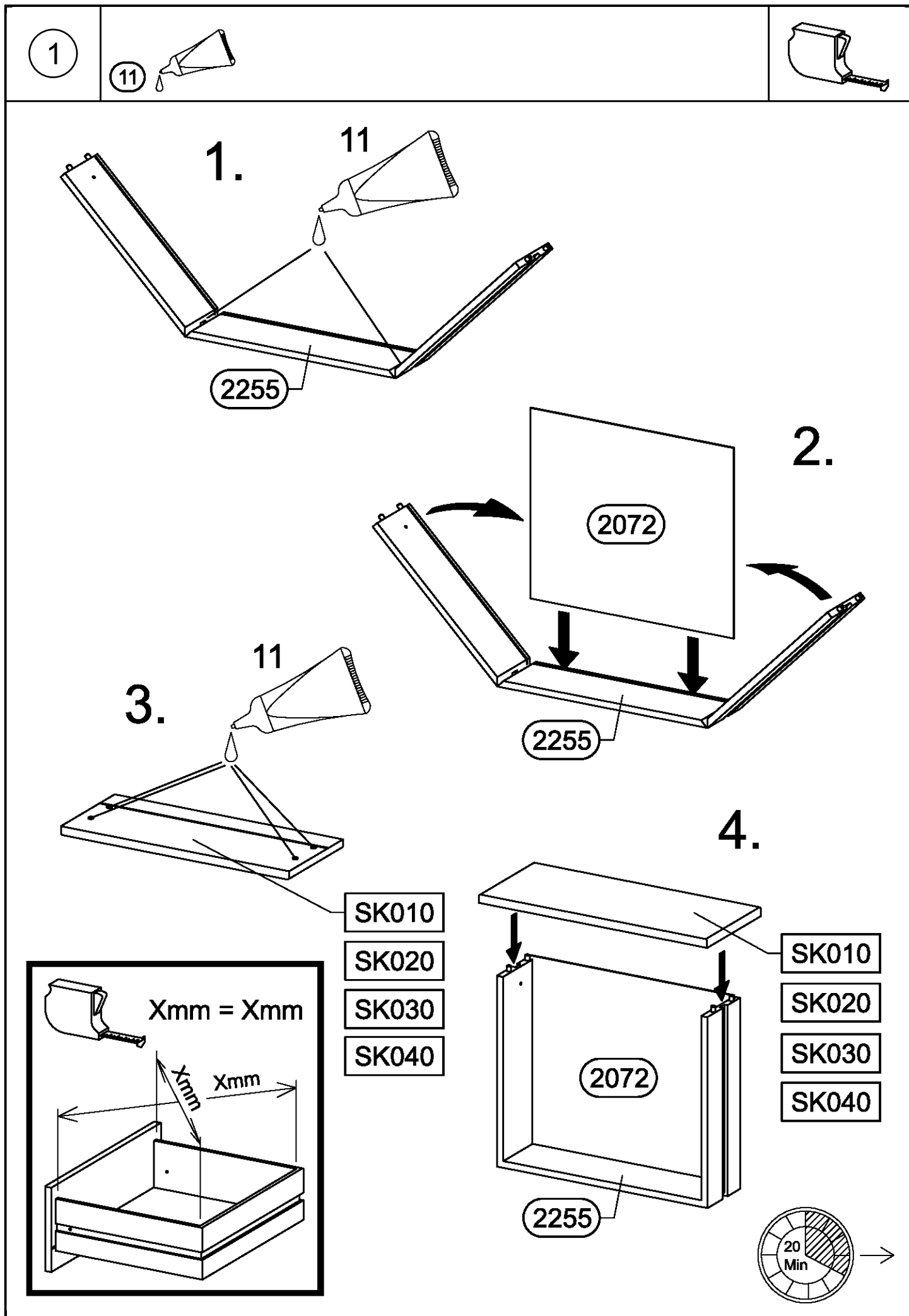


M2609\_01

rauch

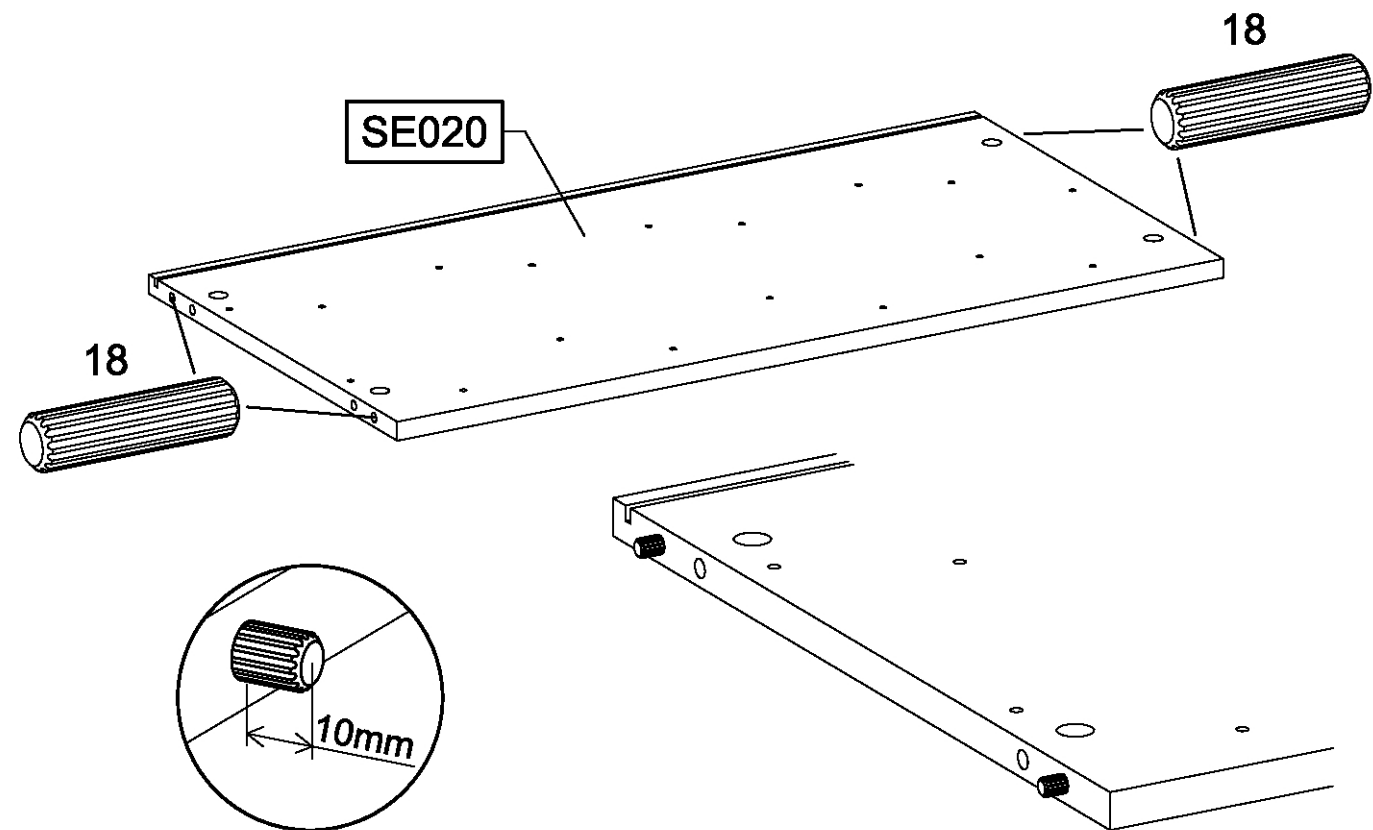
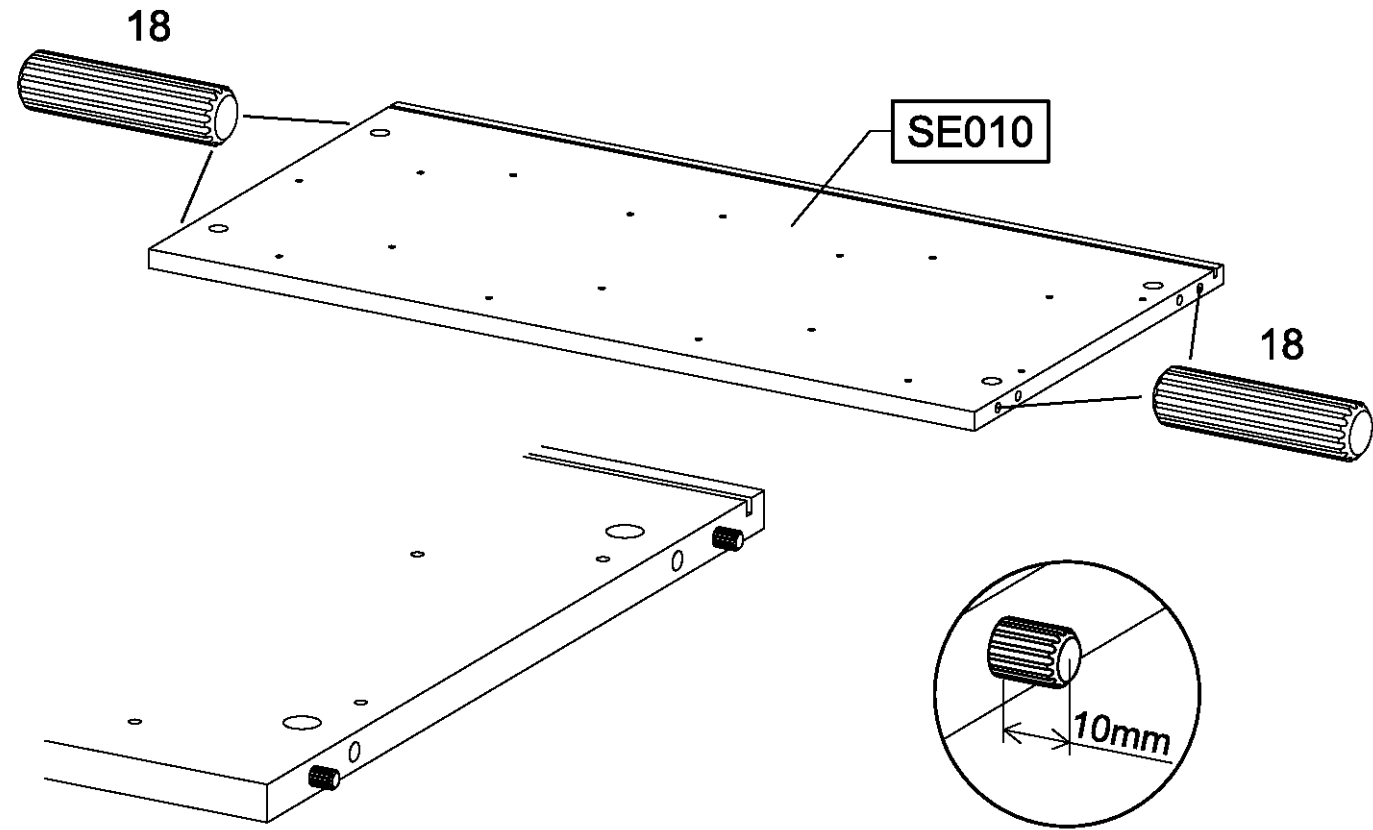
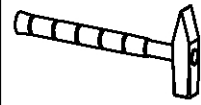






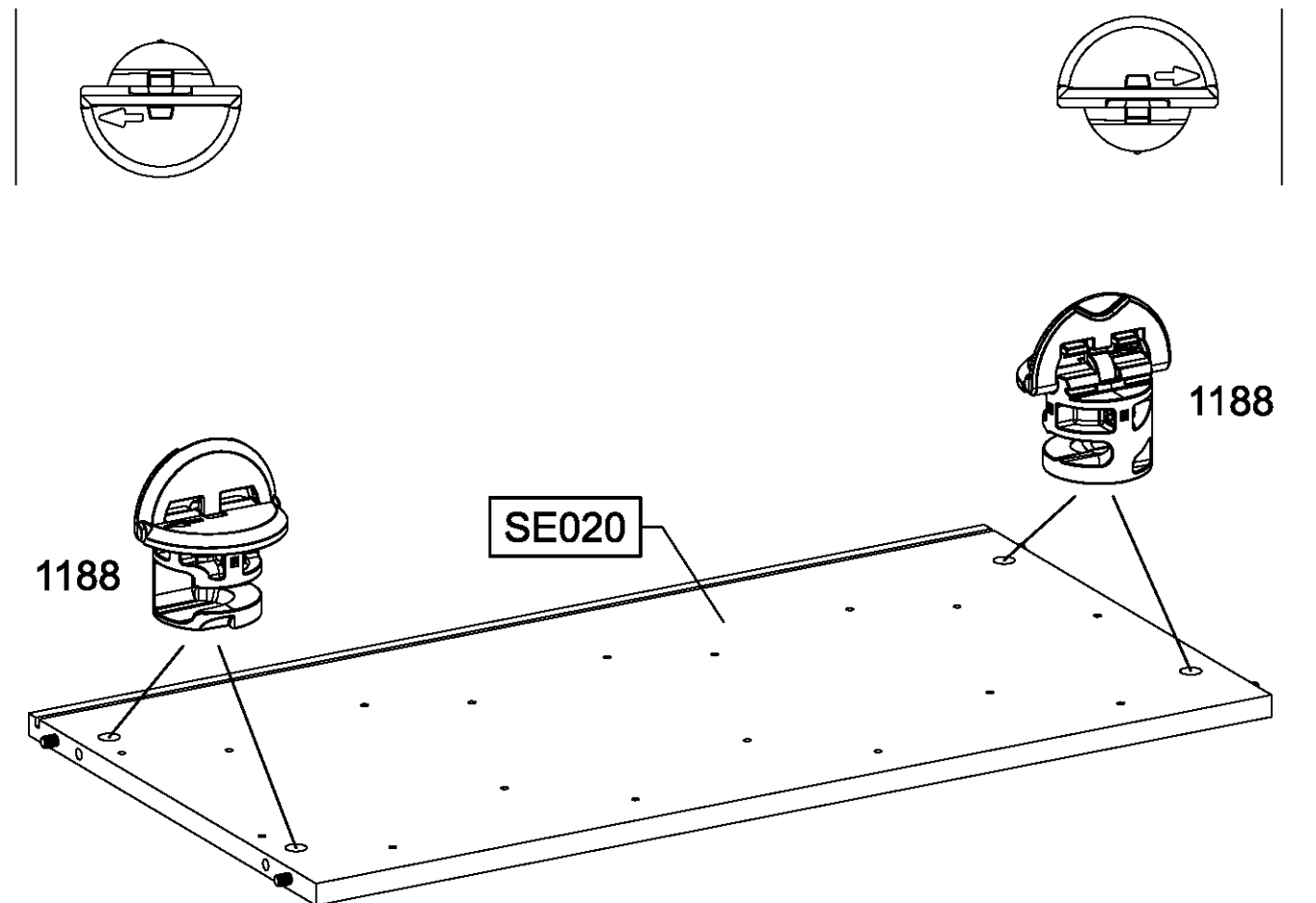
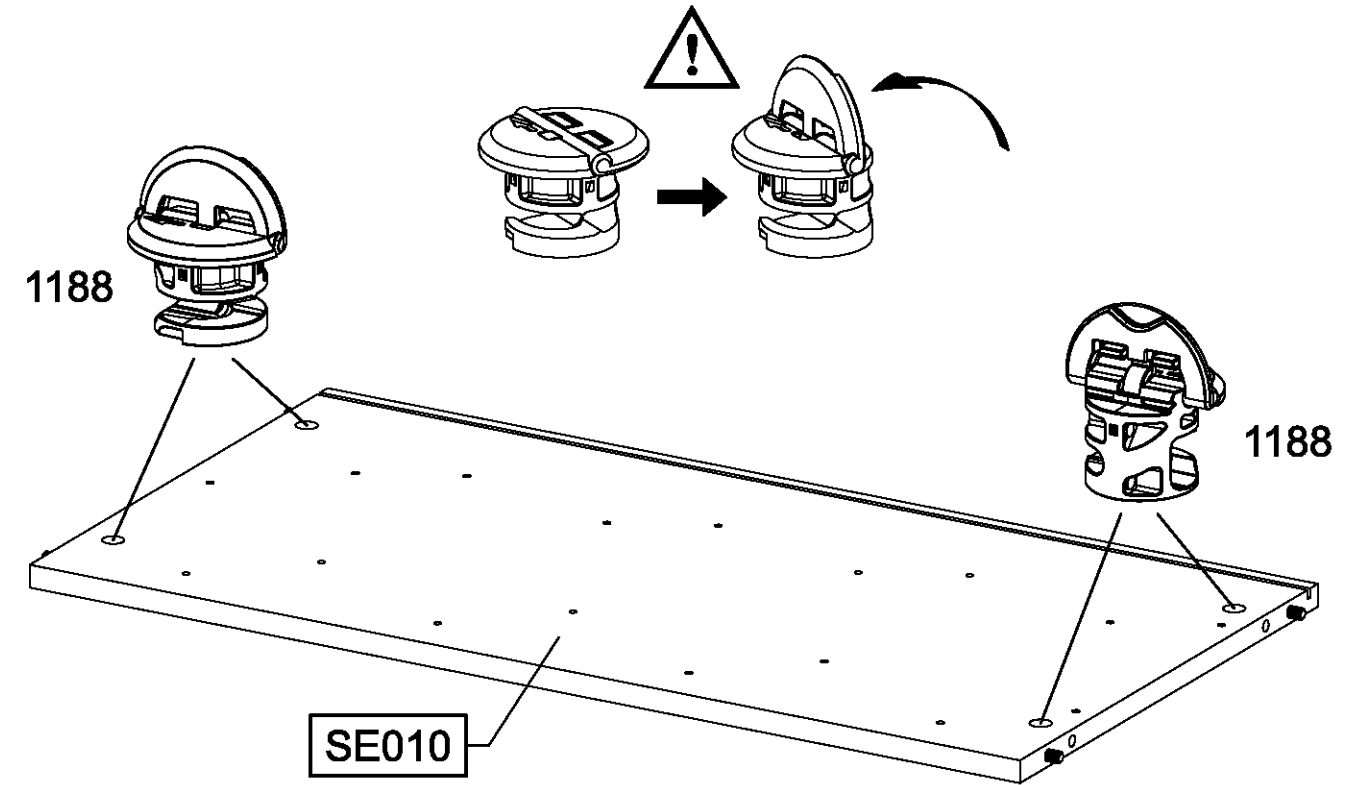
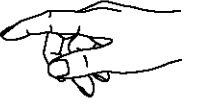
3

8x 18 8x30



4

8x 1188



328x17x9,5

5

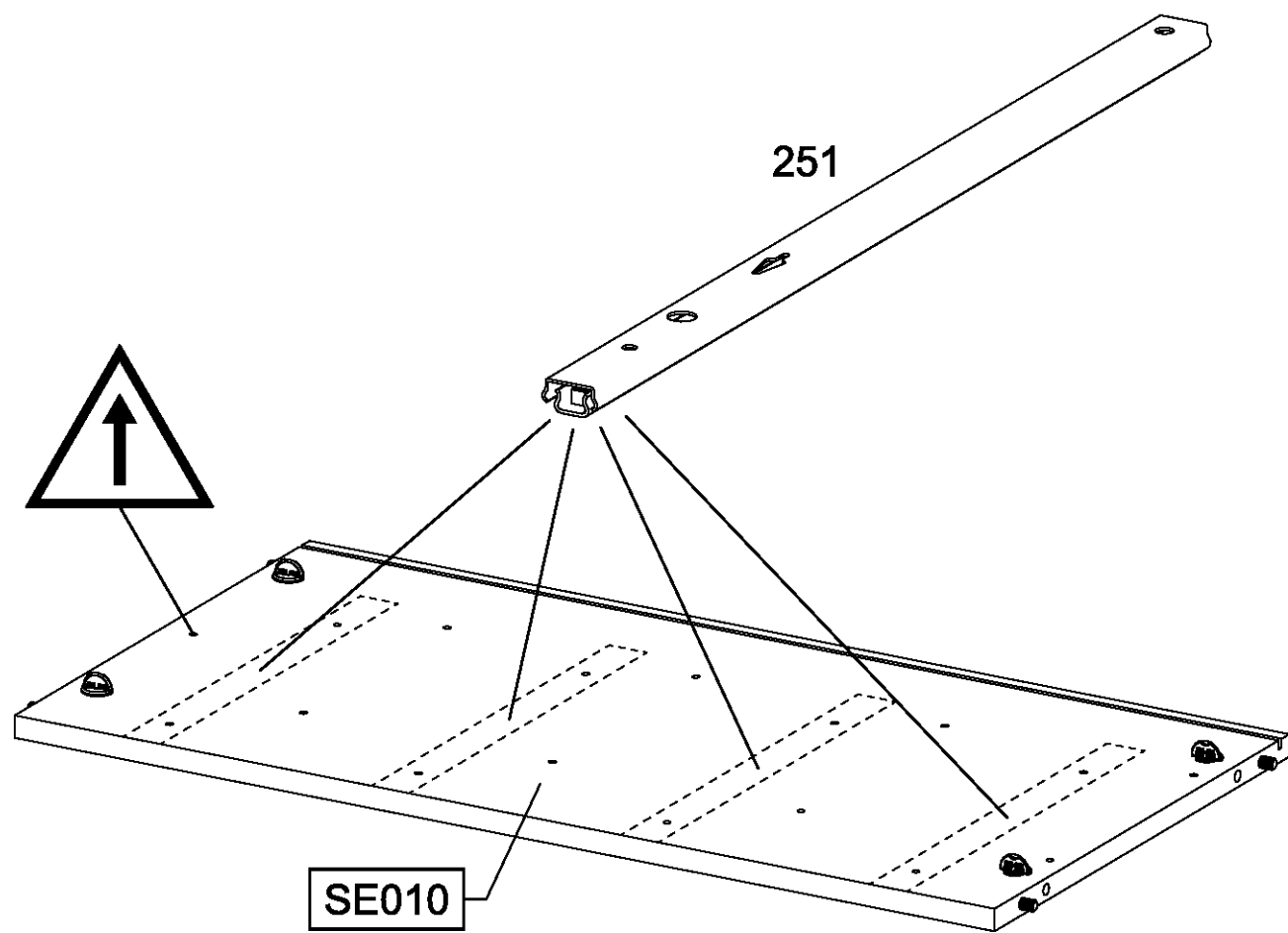
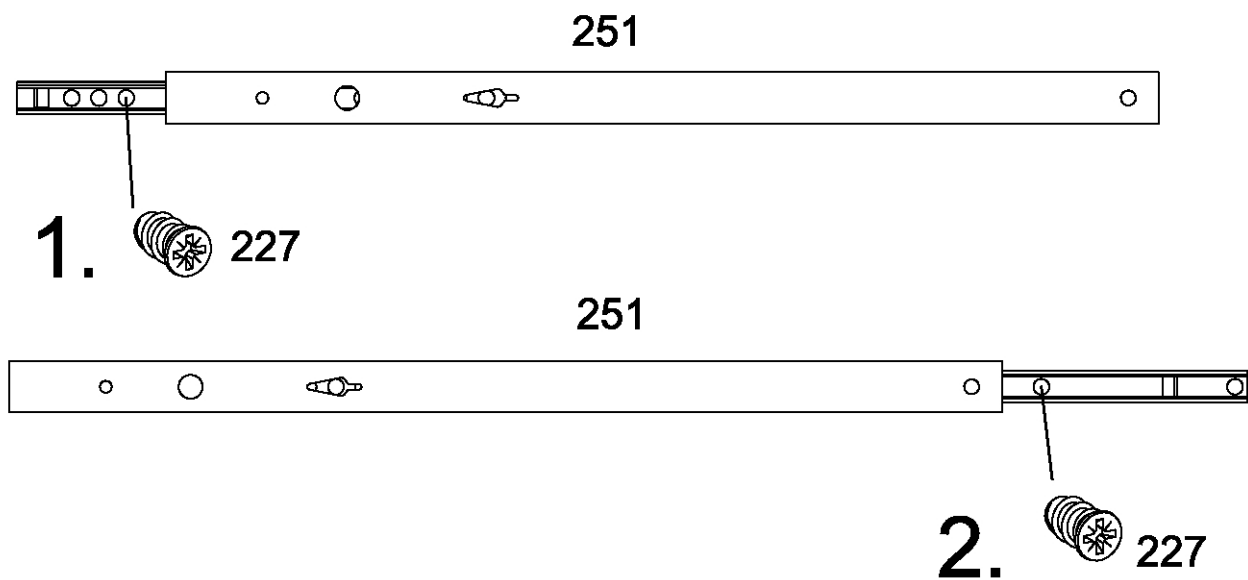
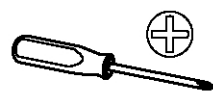
8x

6x10,5

227

4x

251

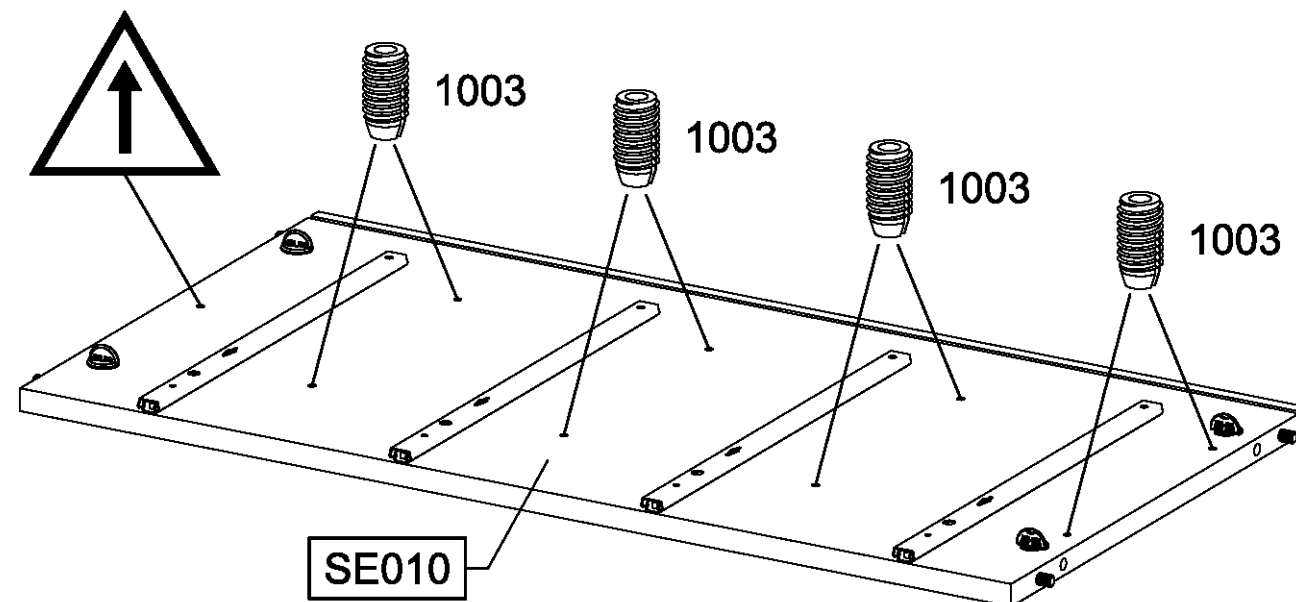
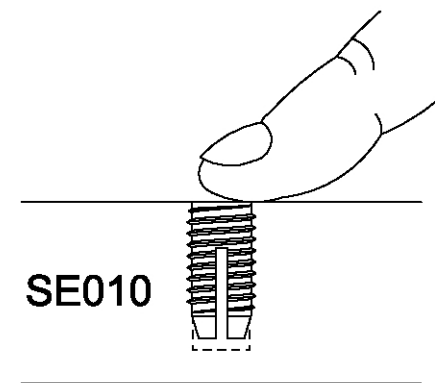
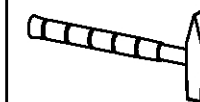


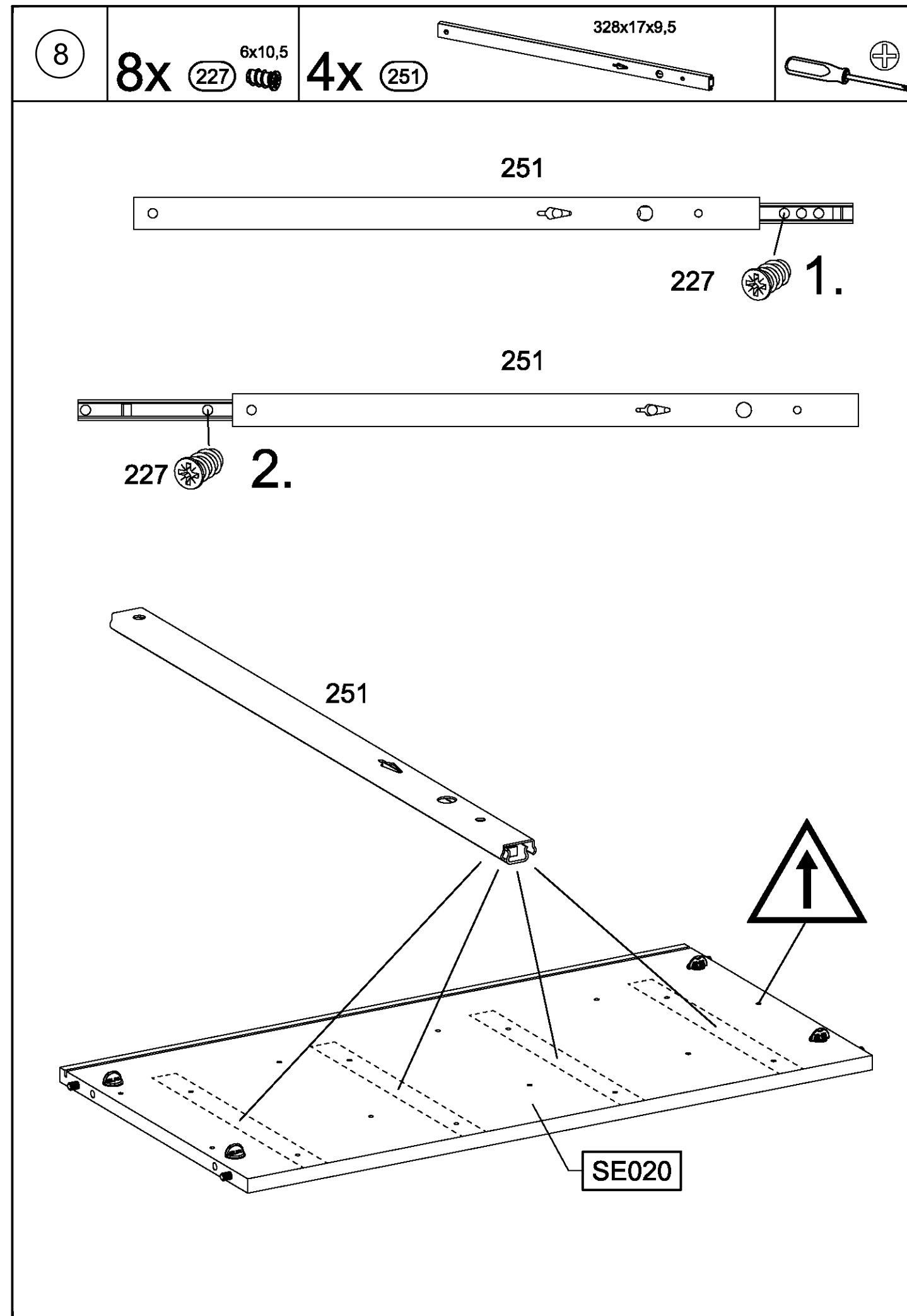
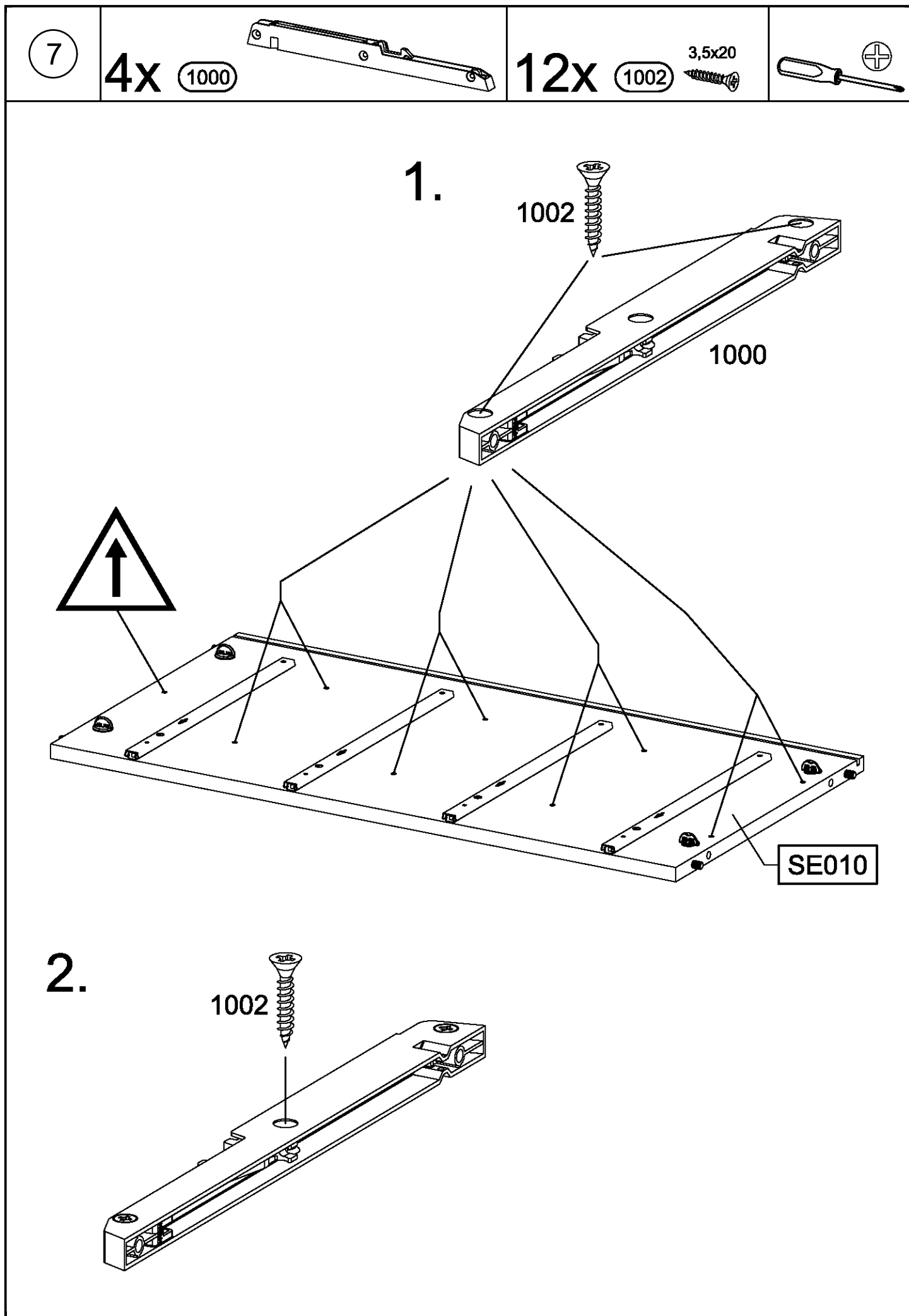
6

8x

6x12

1003



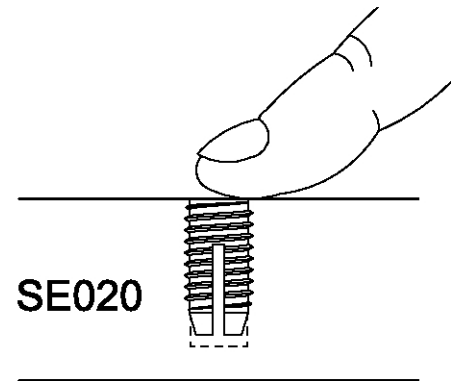
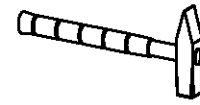


9

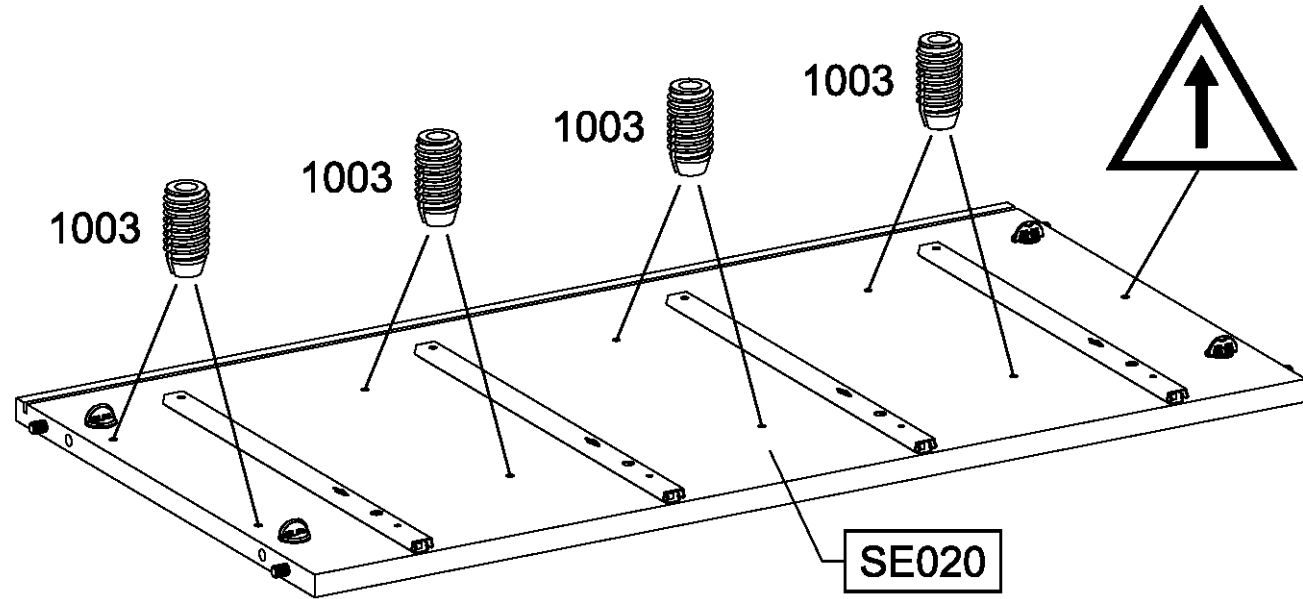
8x

1003

6x12



SE020

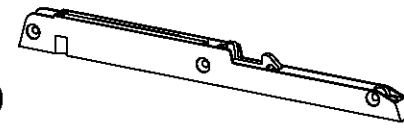


SE020

10

4x

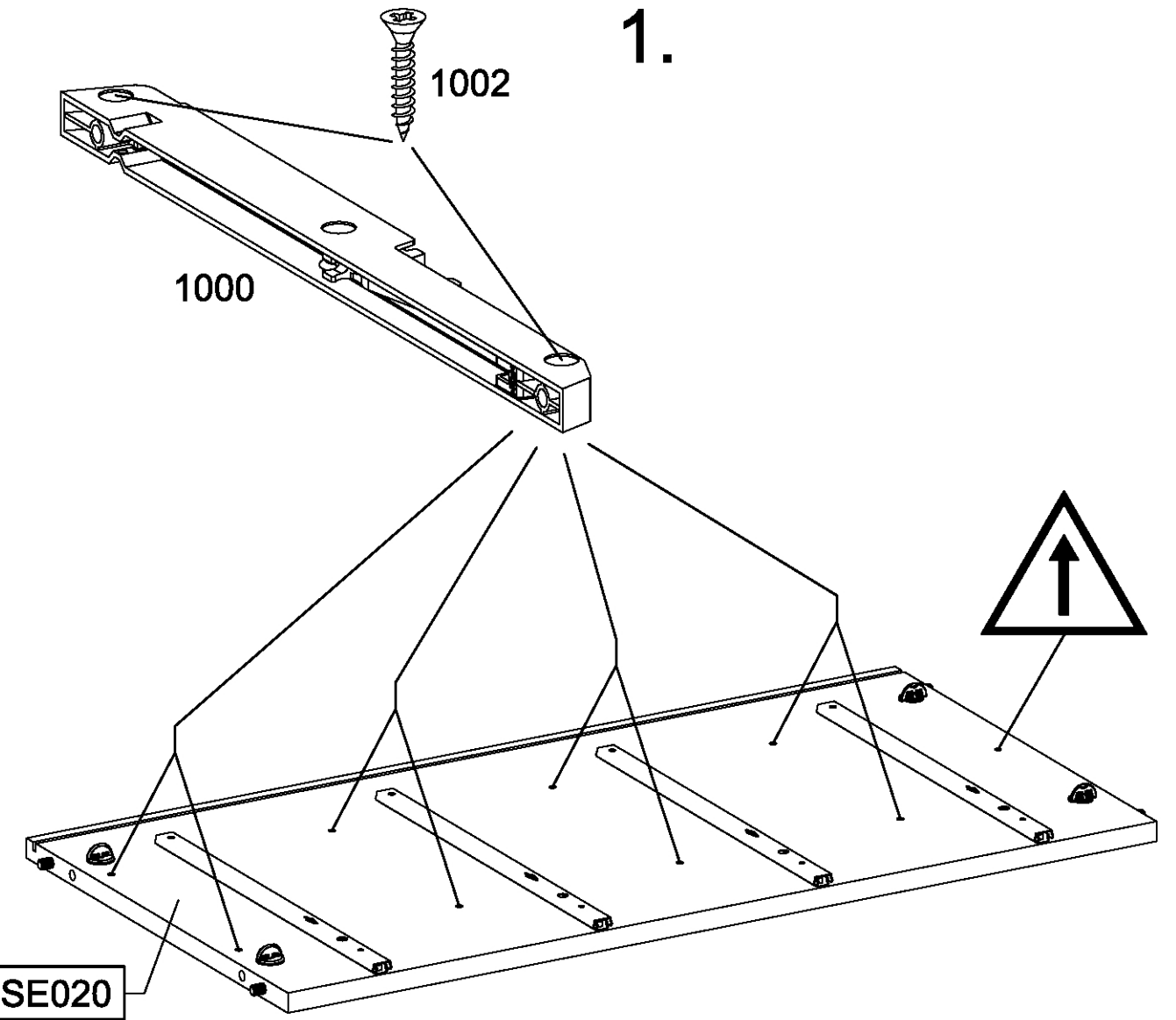
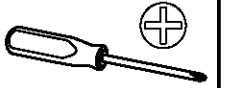
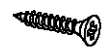
1000



12x

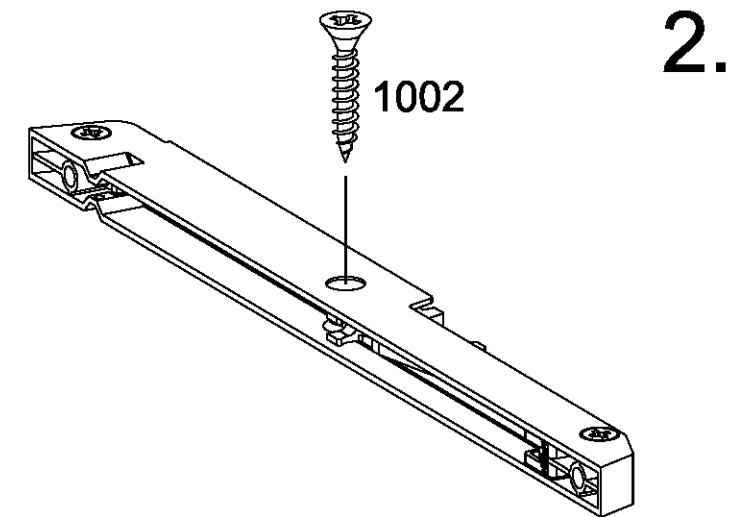
1002

3,5x20



SE020

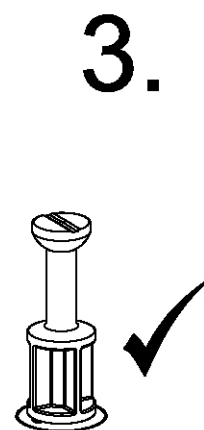
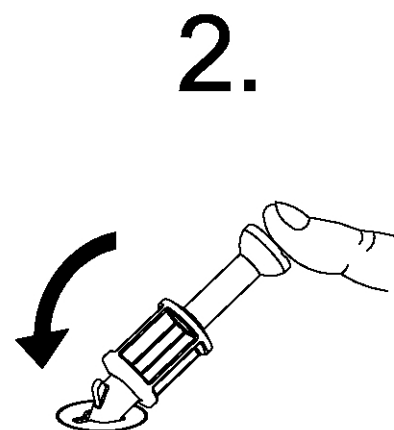
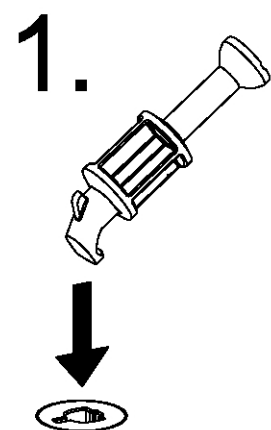
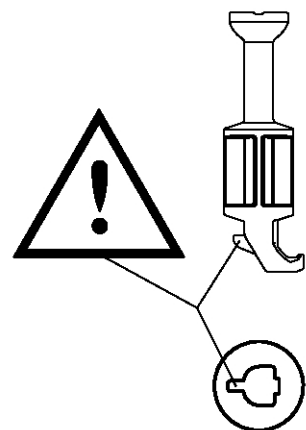
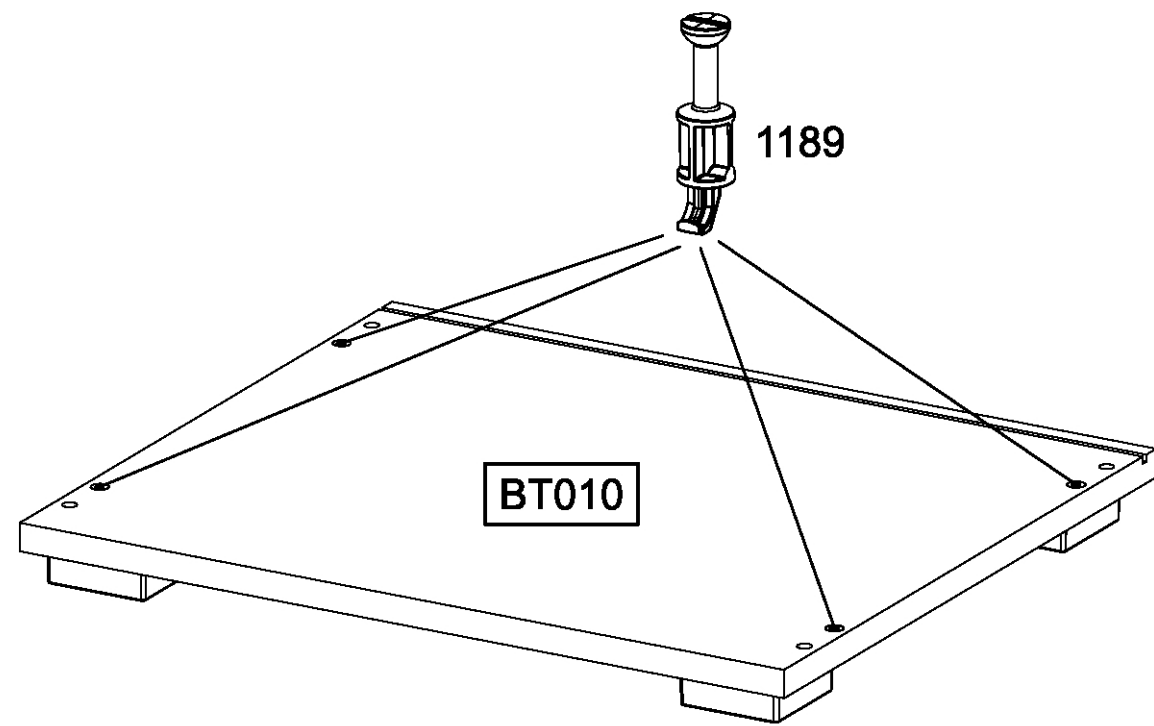
1.



2.

11

4x 1189

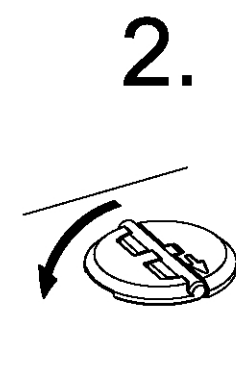
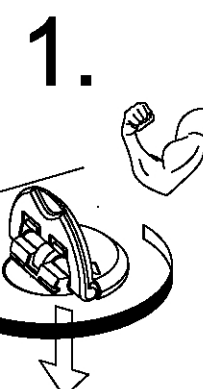
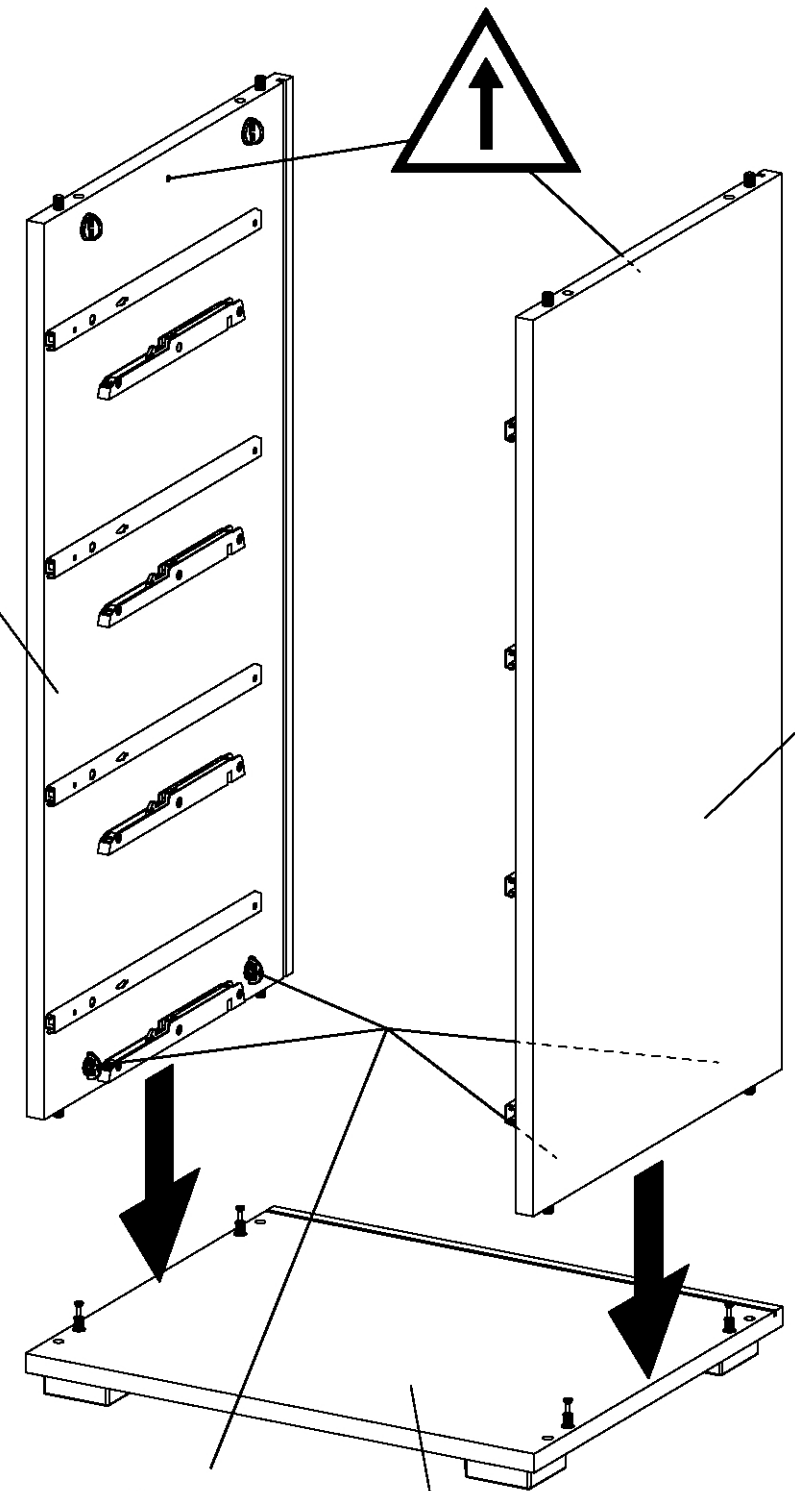


12



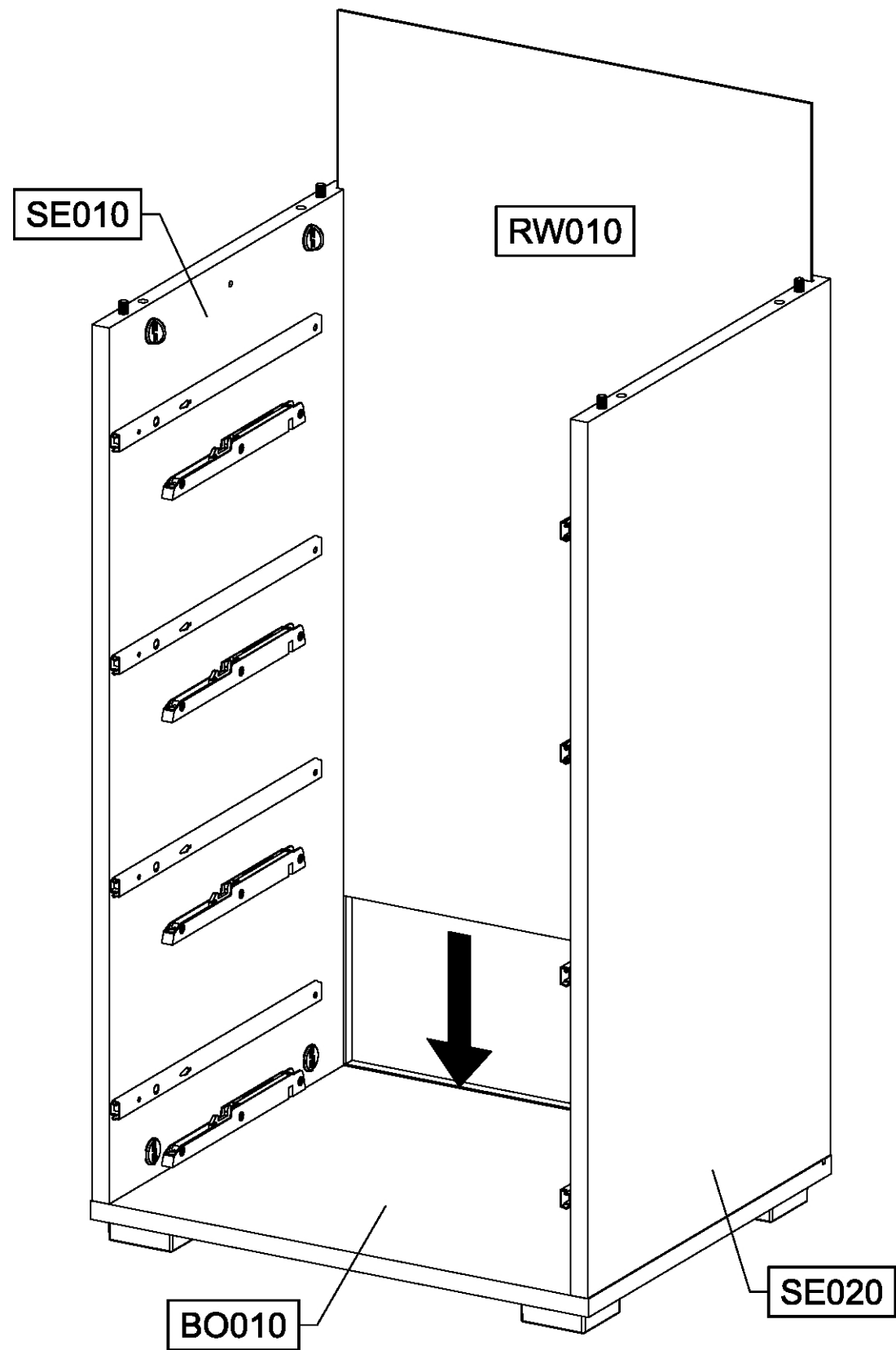
SE010

SE020



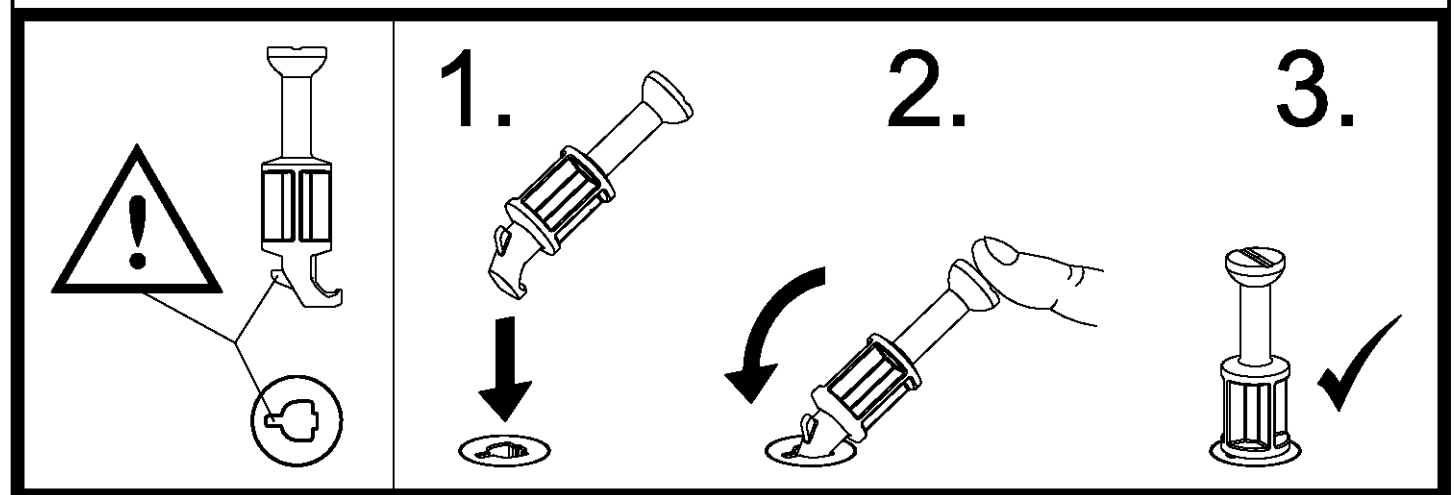
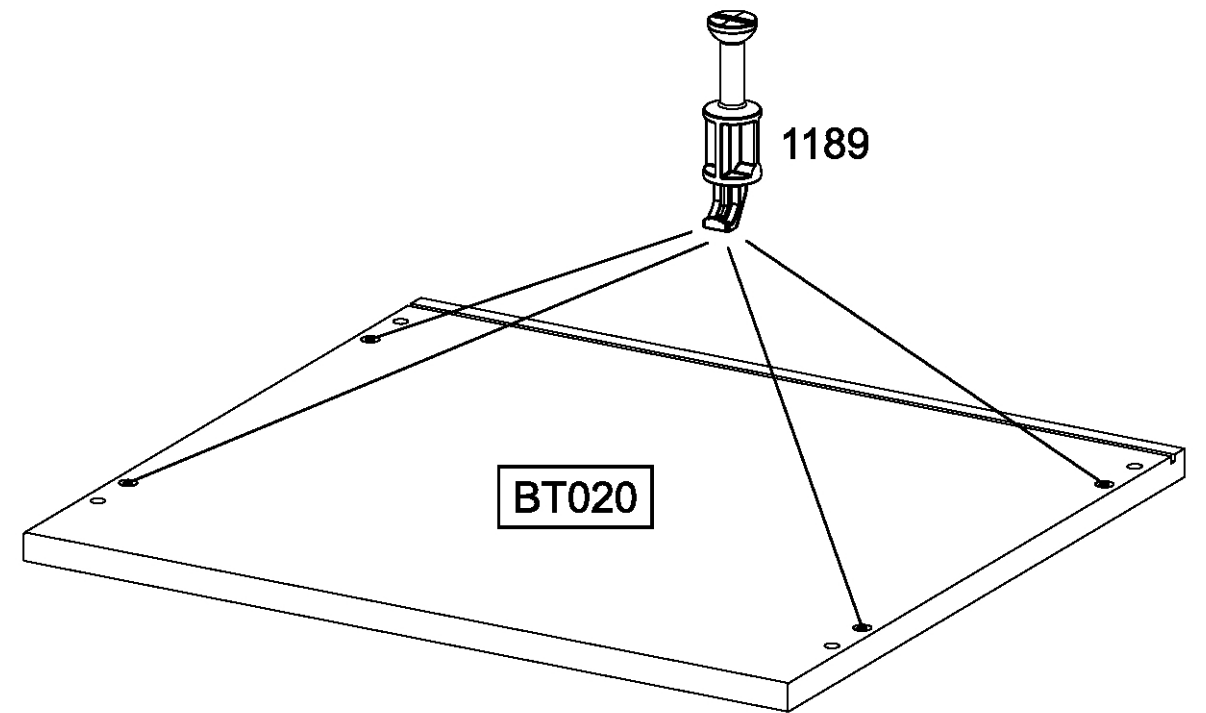
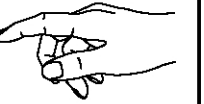
BT010

13

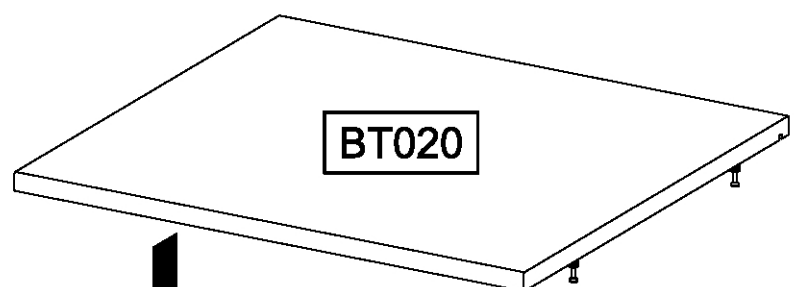


14

4x 1189

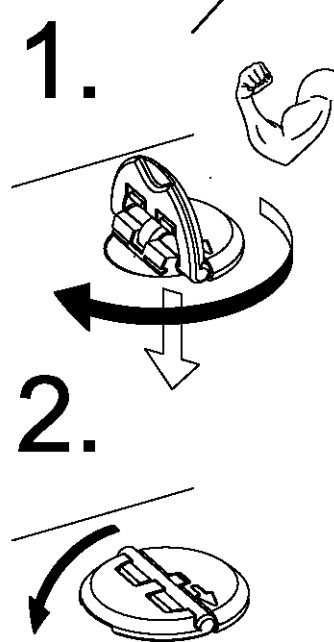


15



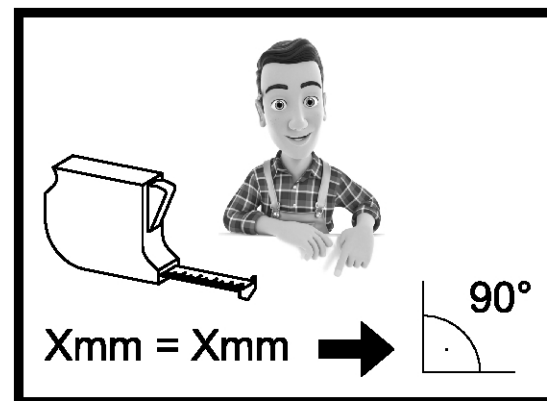
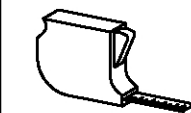
SE010

SE020

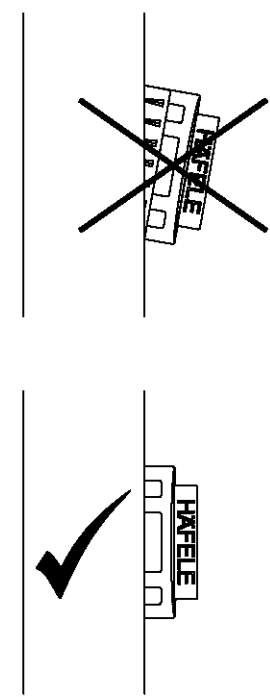
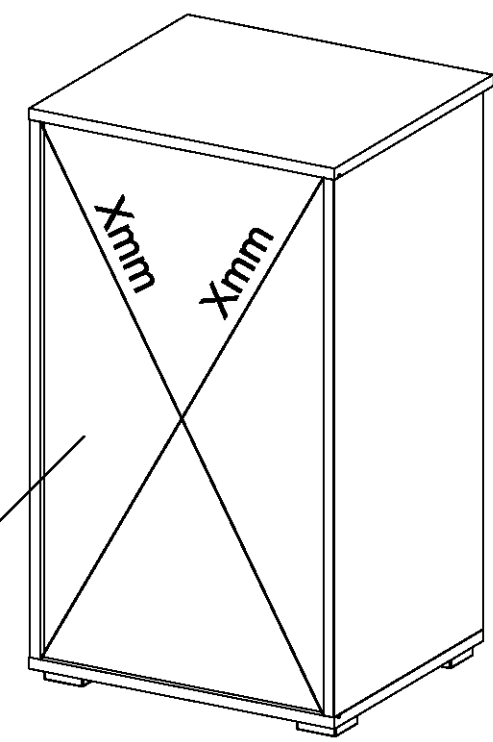


16

4x 1090



RW010

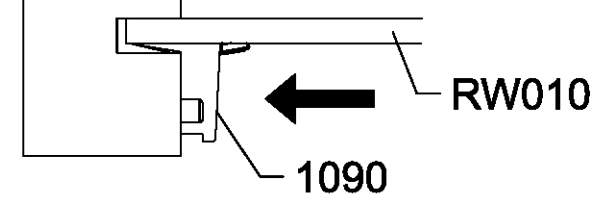


1090

RW010

1090

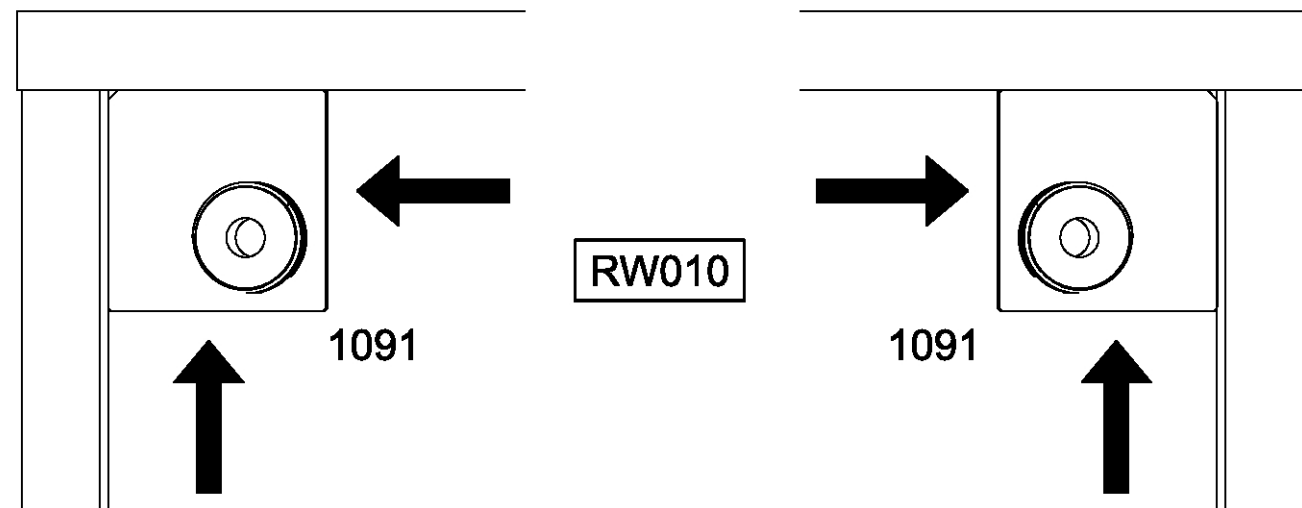
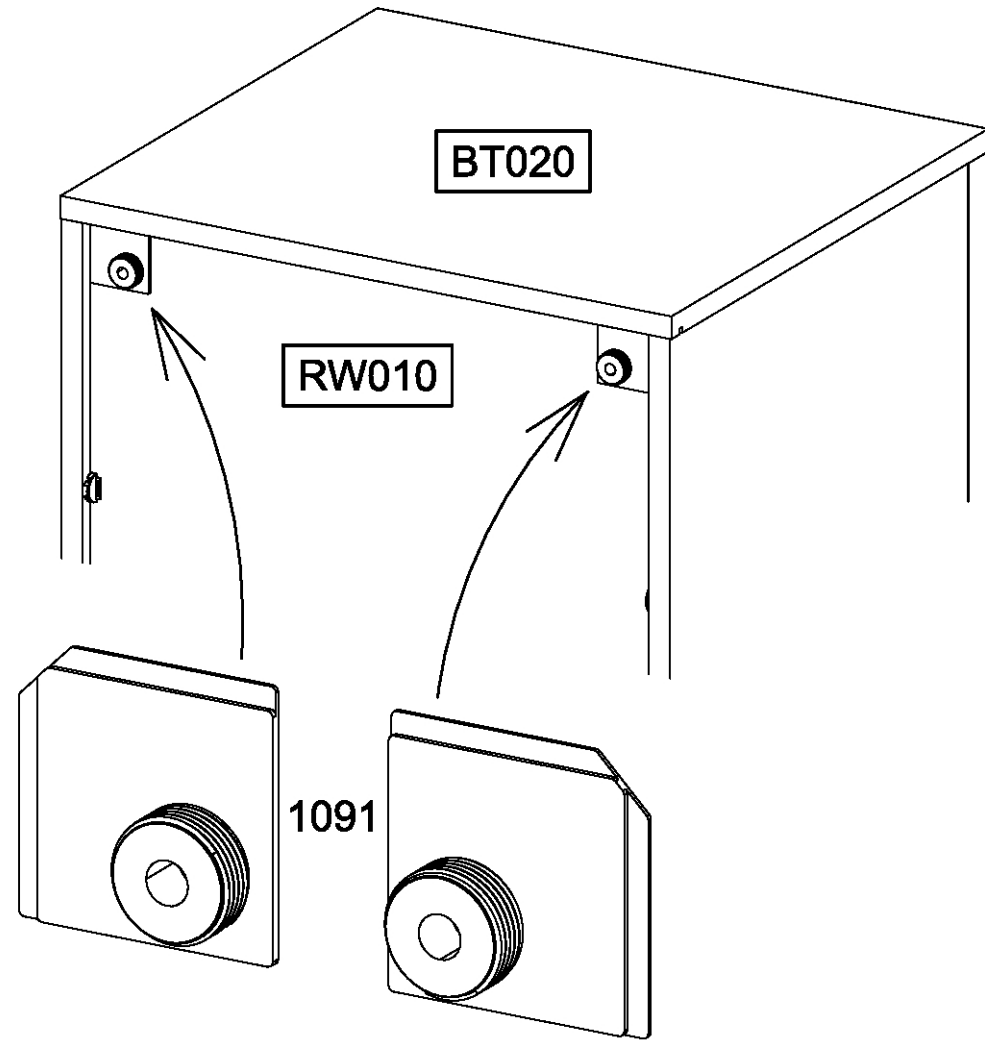
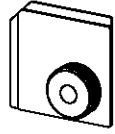
SE010  
SE020



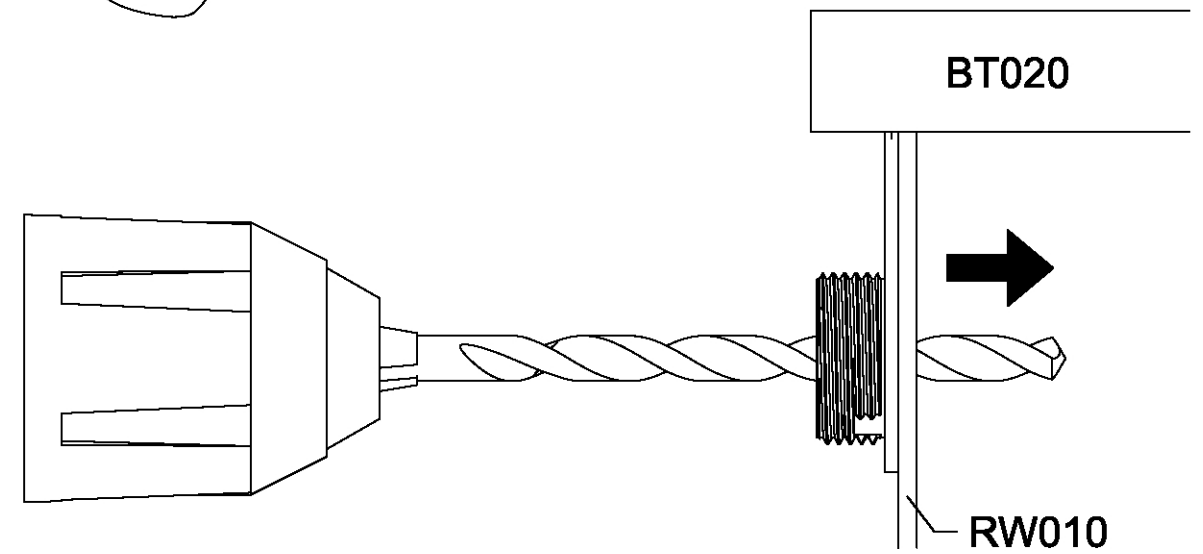
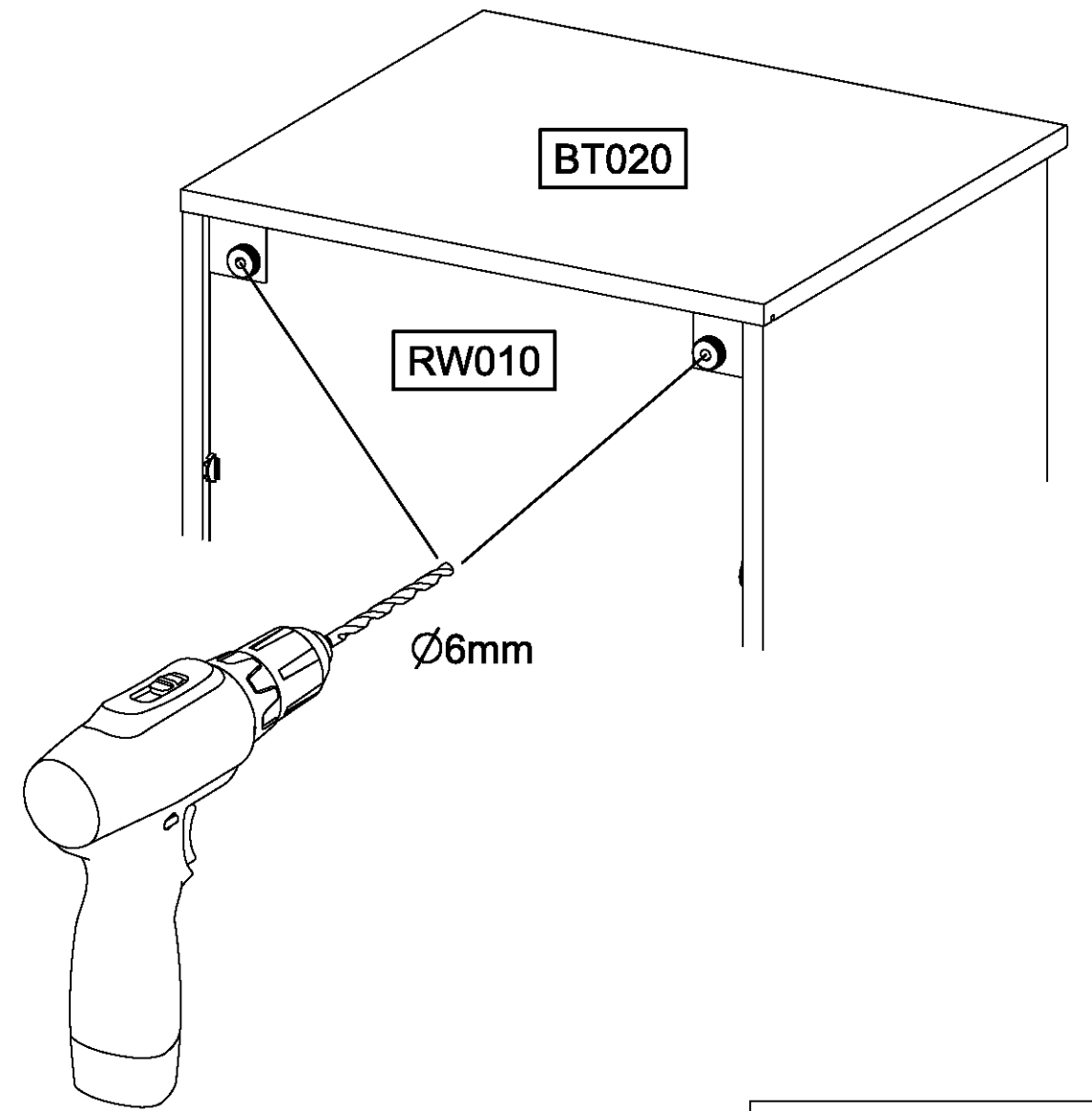
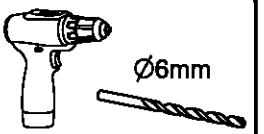
1090

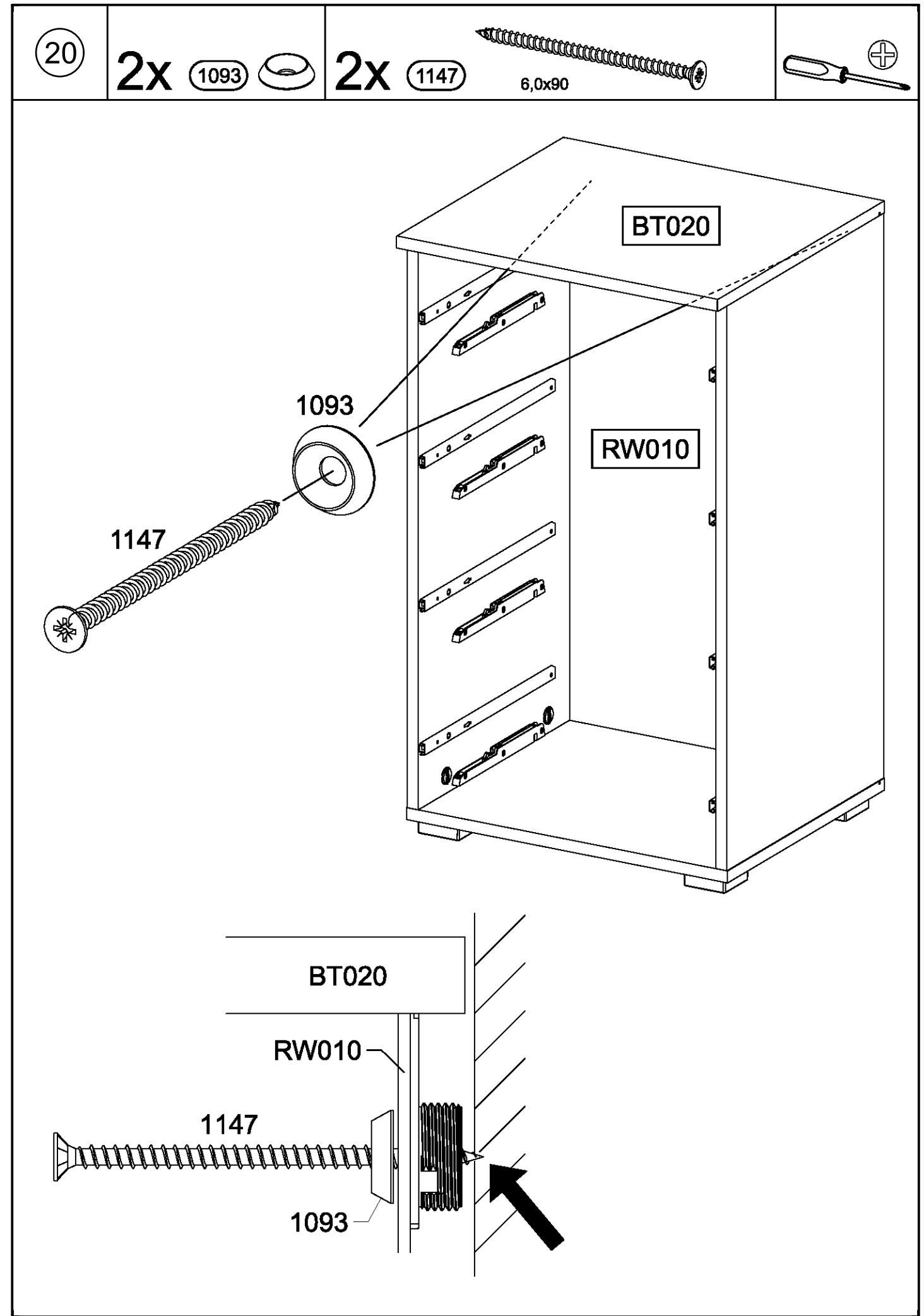
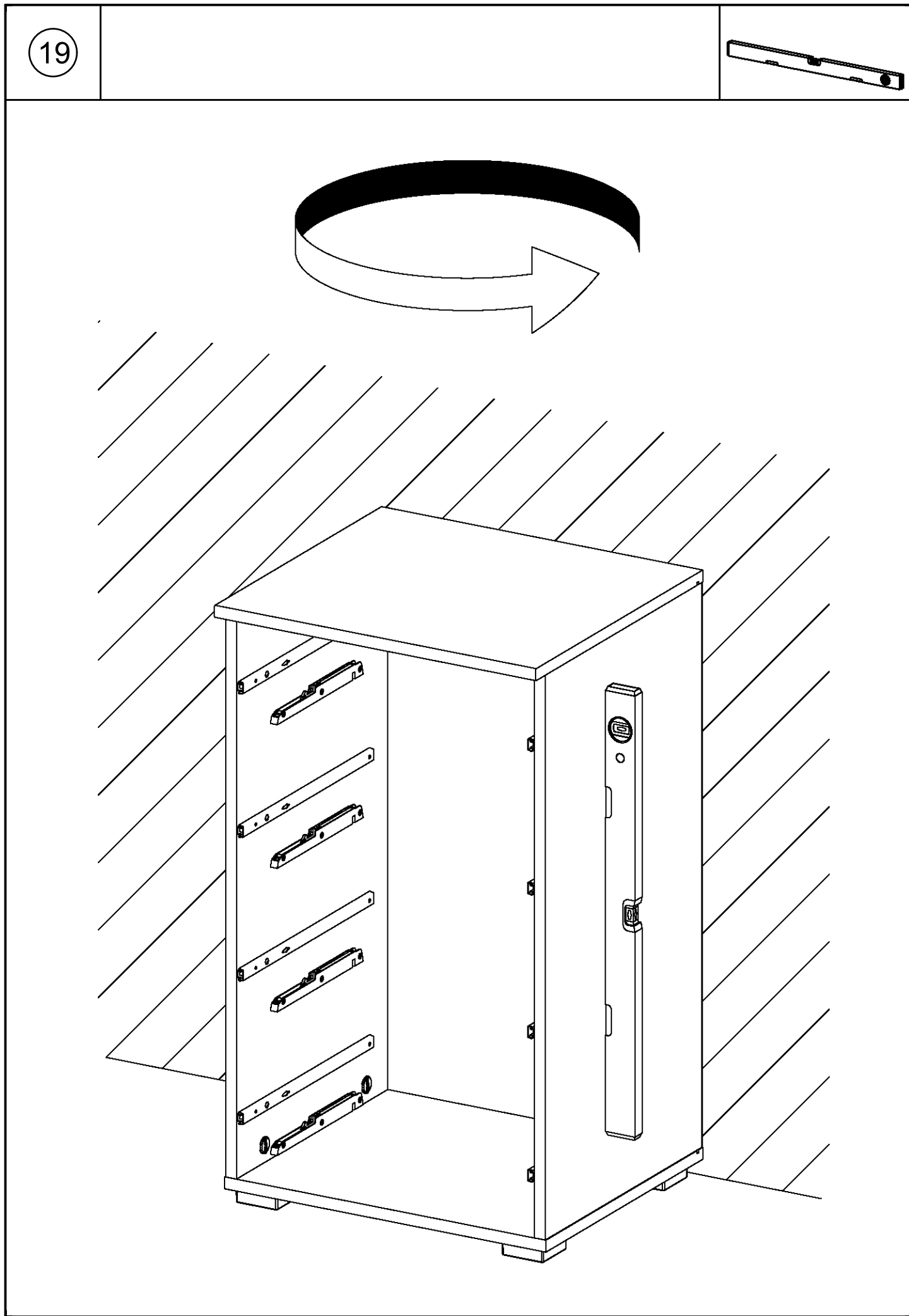
17

2x 1091

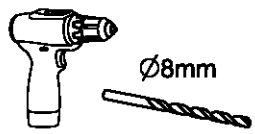


18

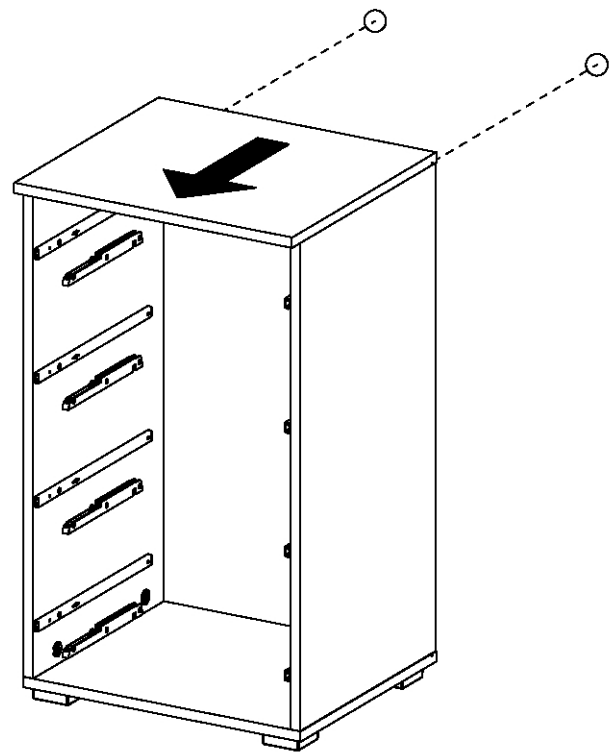




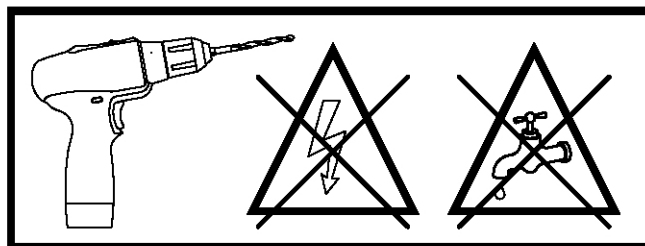
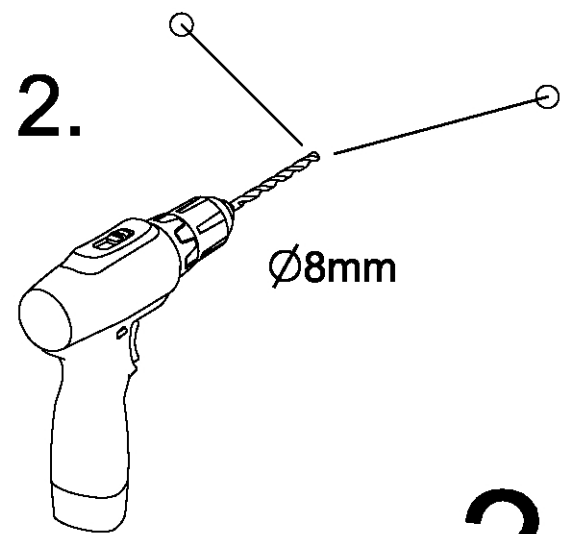
21



1.

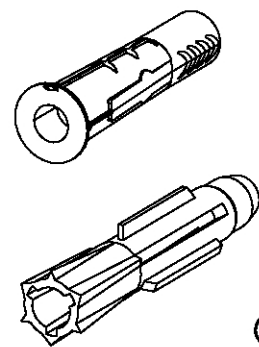
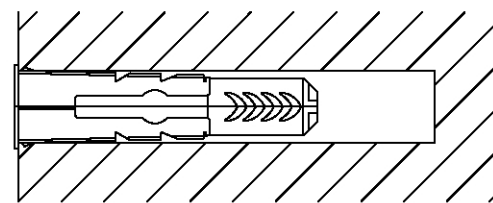


2.



?

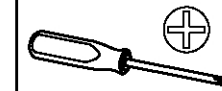
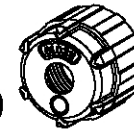
3.



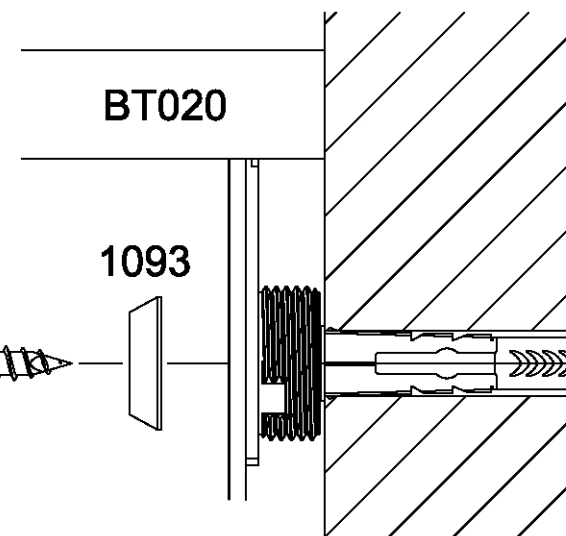
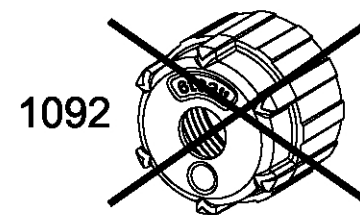
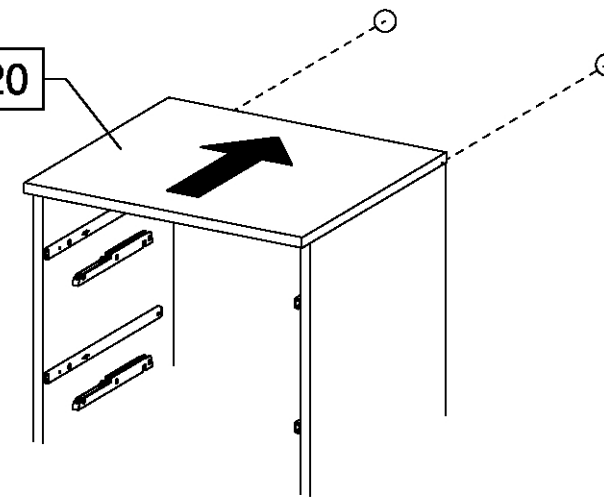
Ø8mm

22

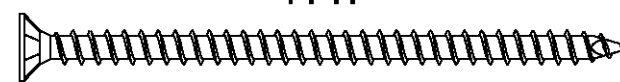
2x 1092



BT020



1147



1093

10-15mm

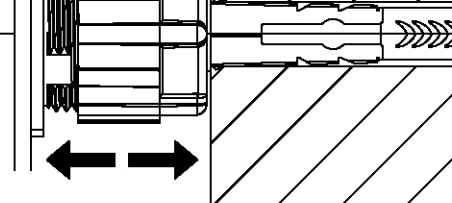
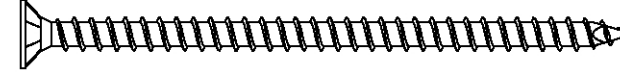


BT020

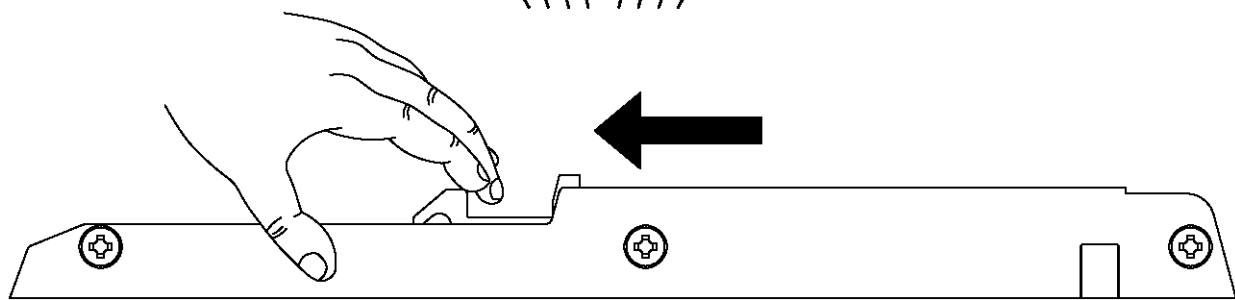
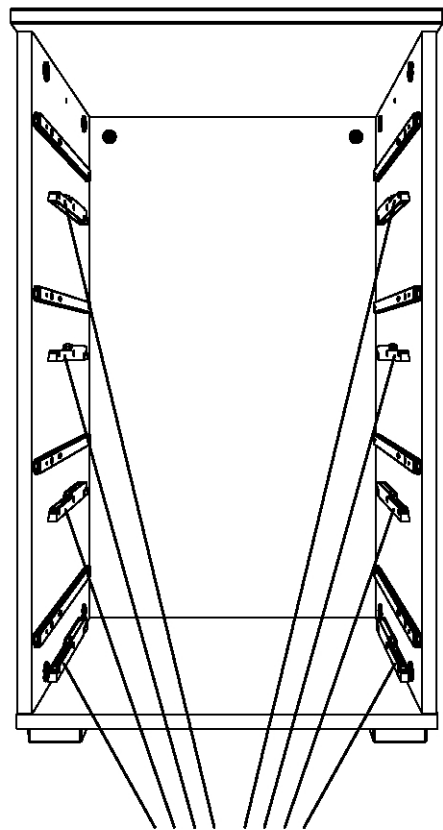
1093

1092

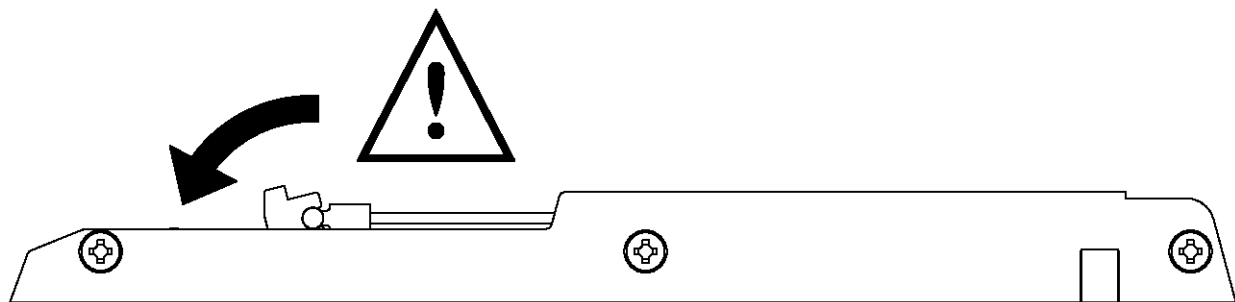
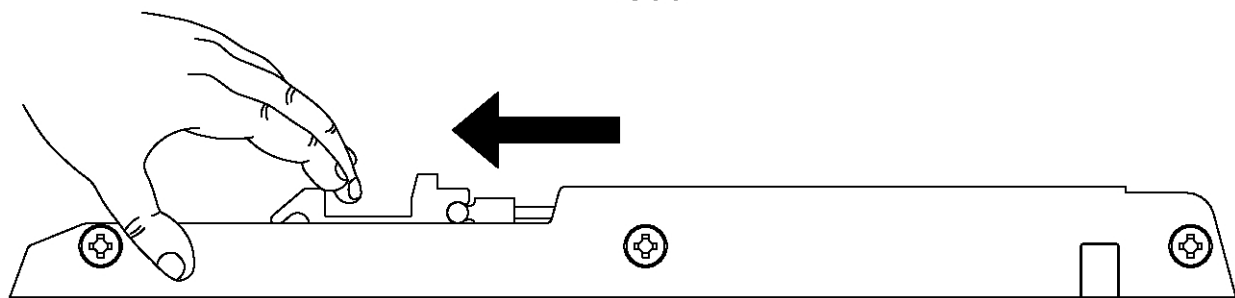
1147



23



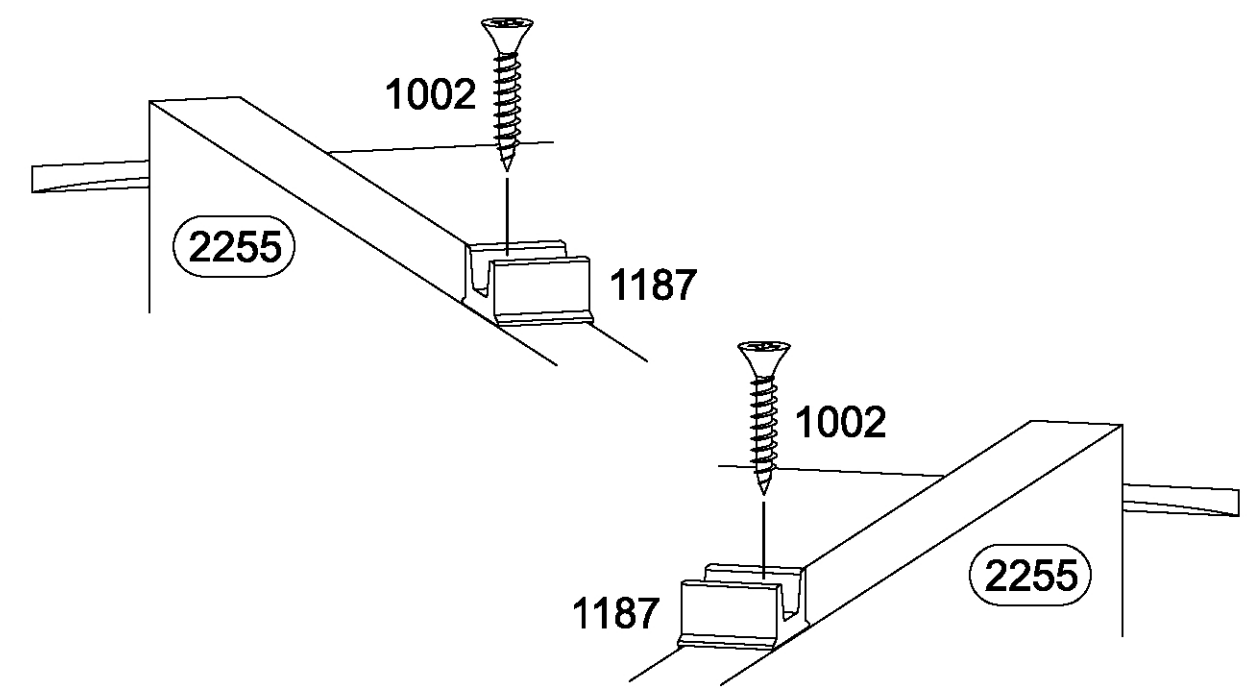
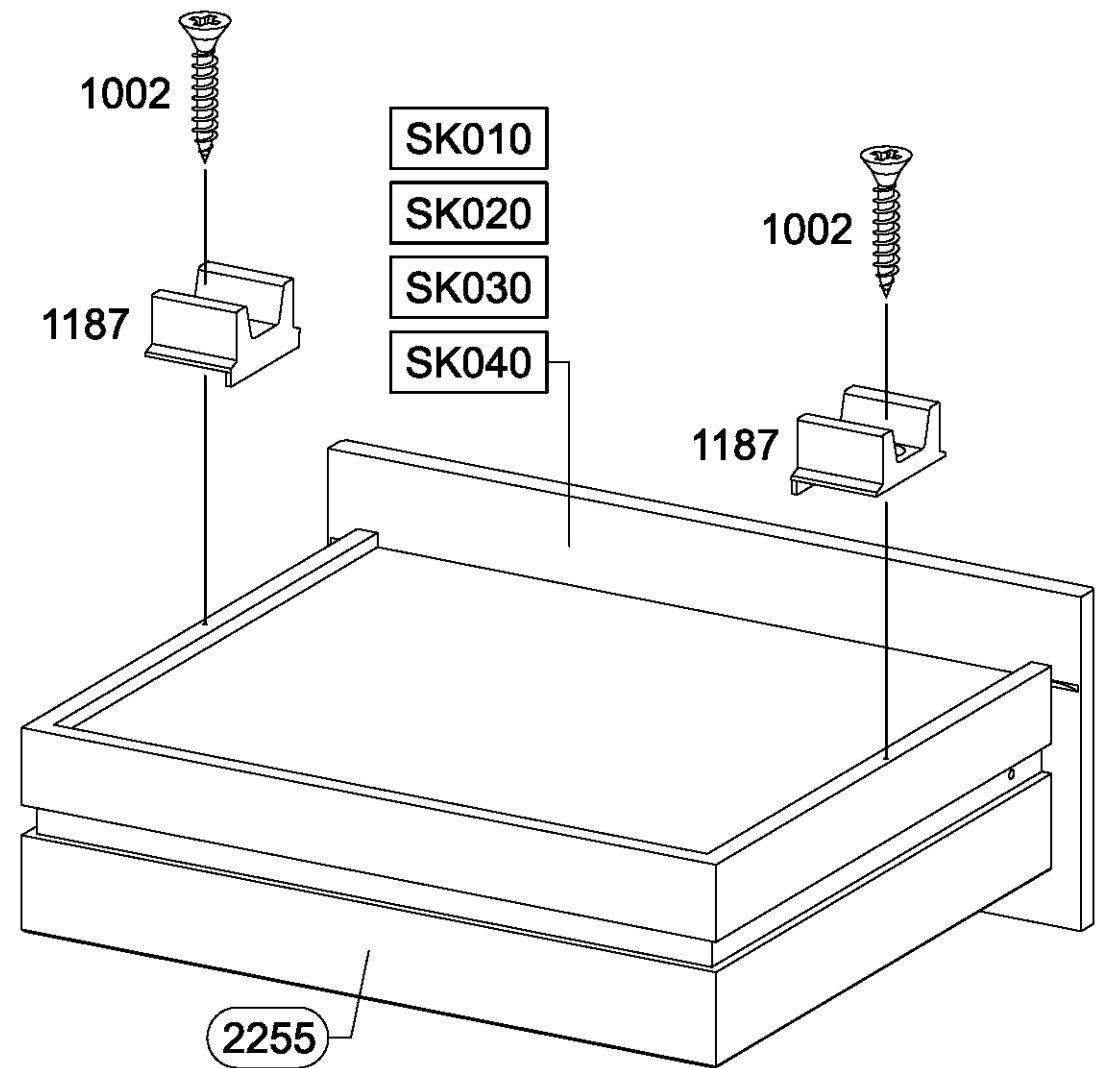
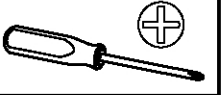
1000



24

8x 1002 3,5x20

8x 1187

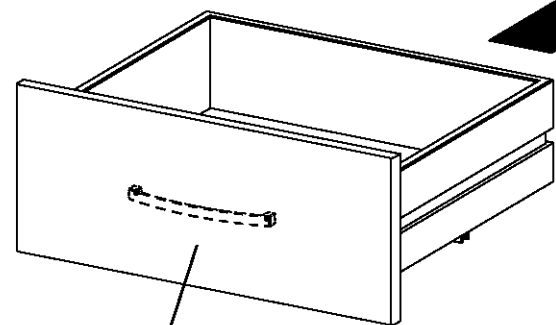
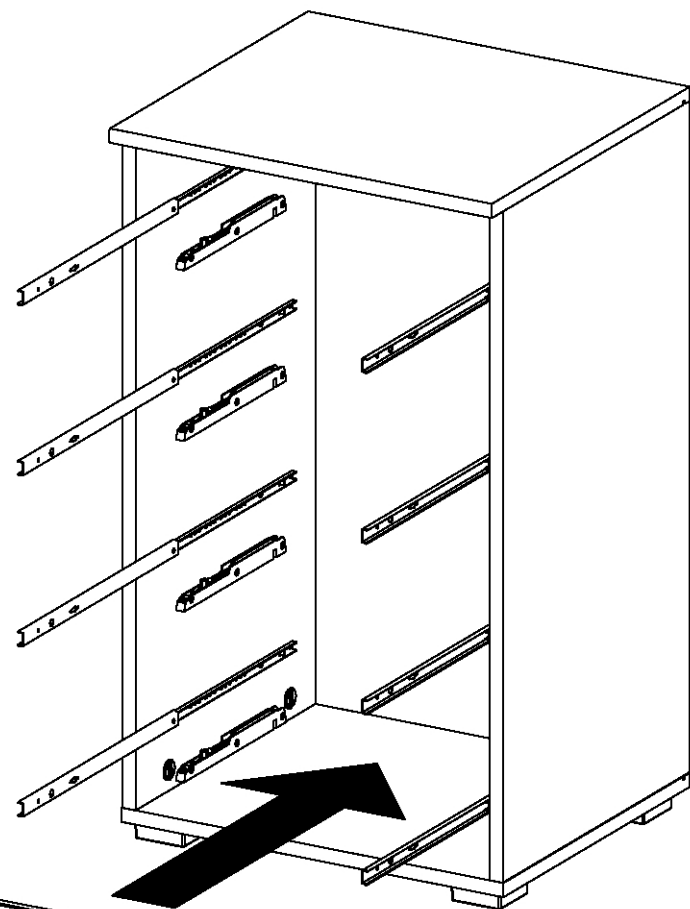
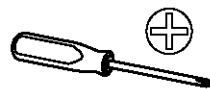


25

8x

568

M4x9

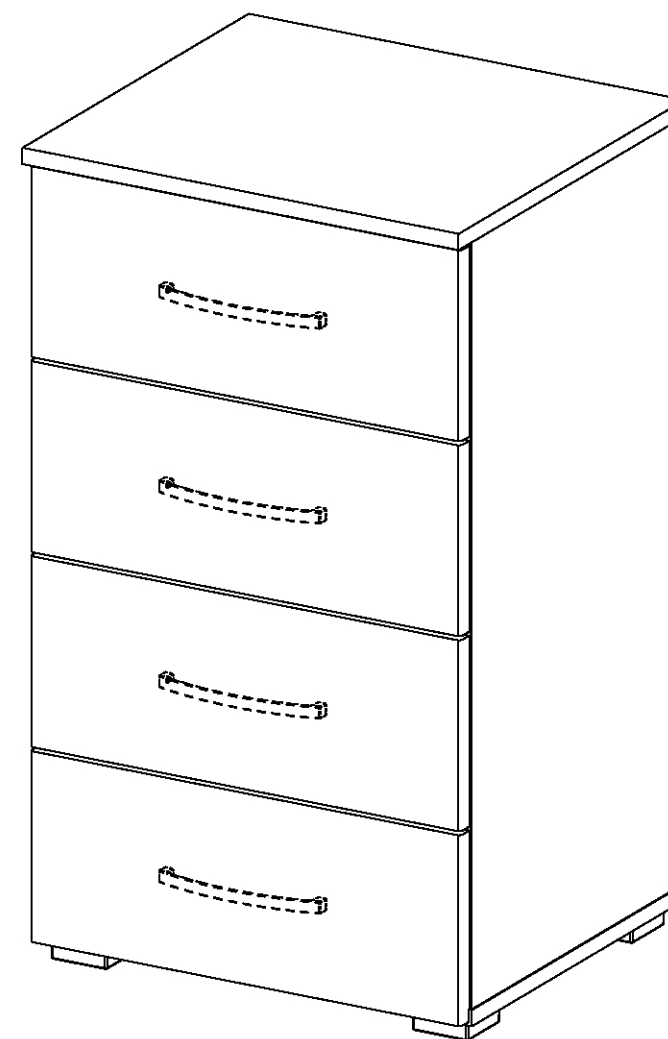
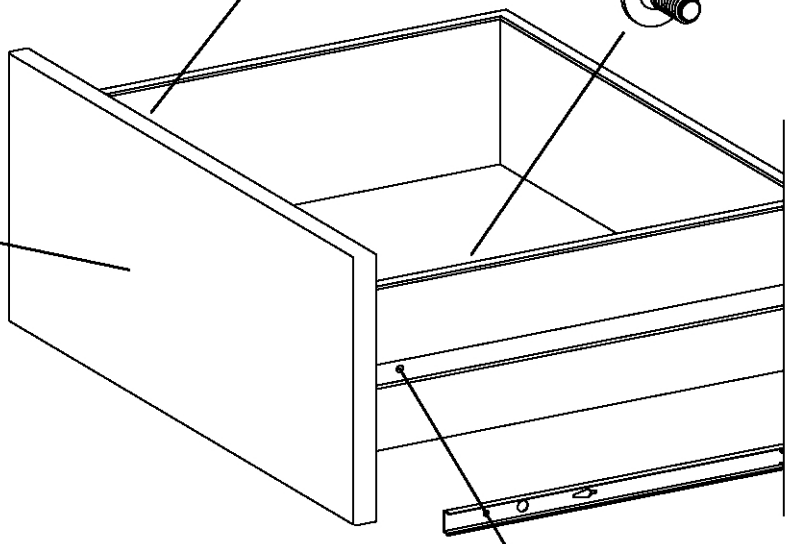


SK010

SK020

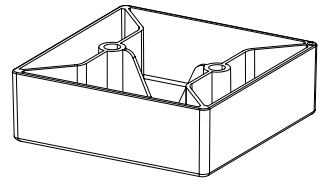
SK030

SK040



MZ044\_02

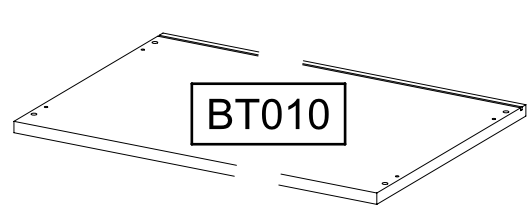
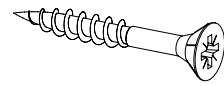
rauch



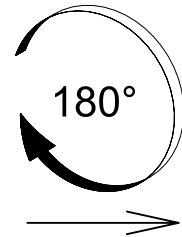
FU010

4x30

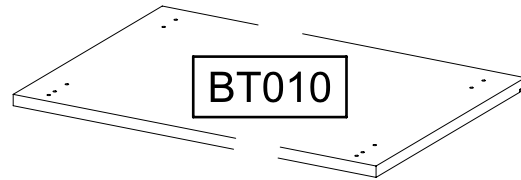
213



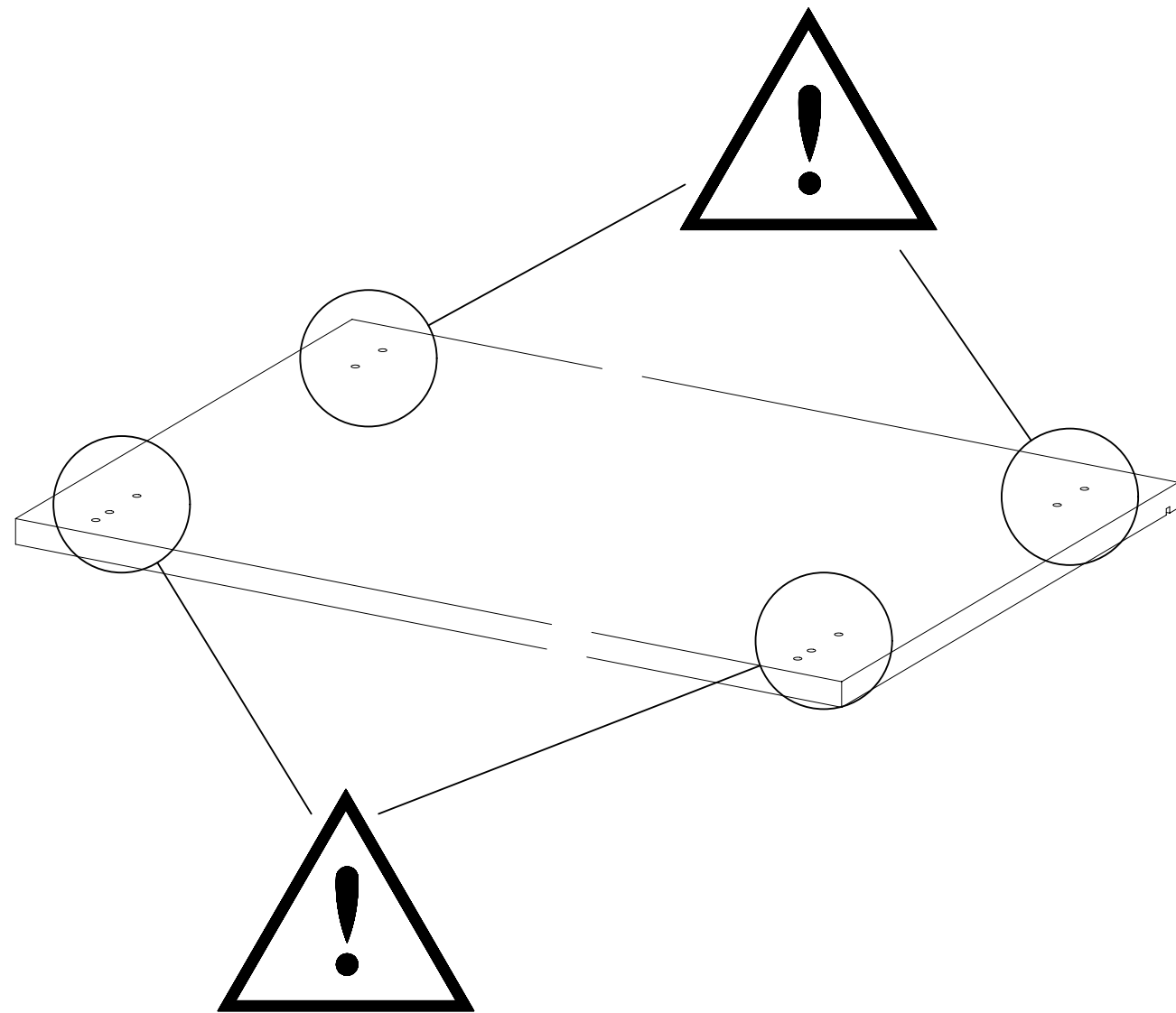
BT010



180°



BT010

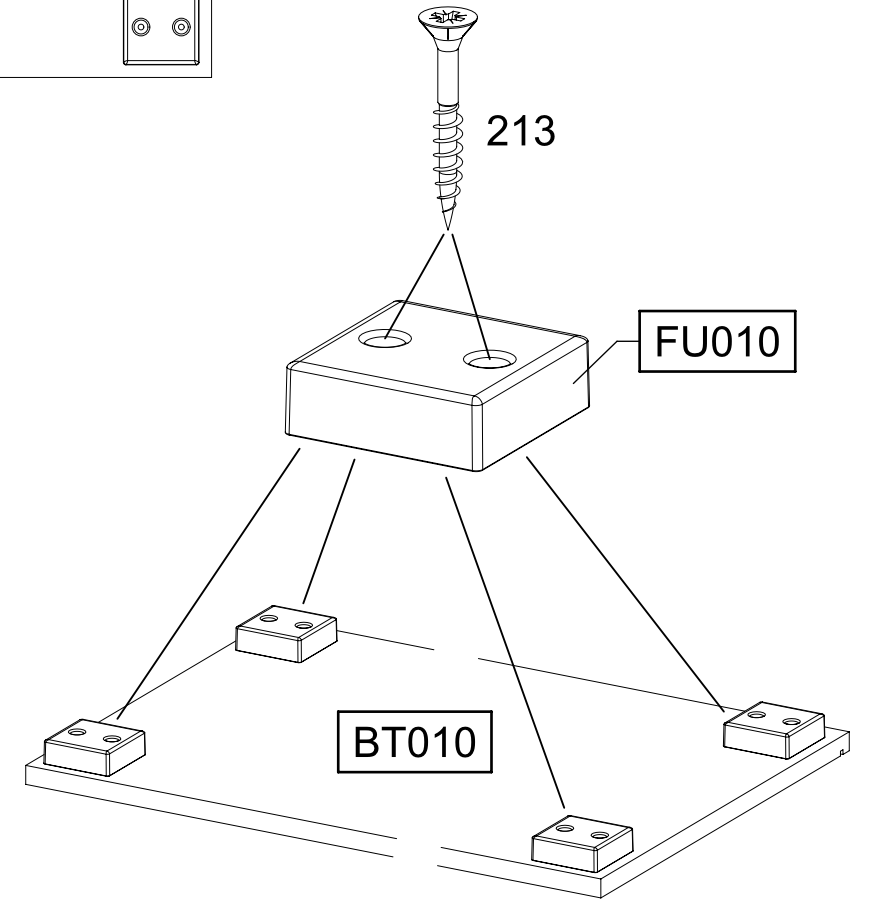
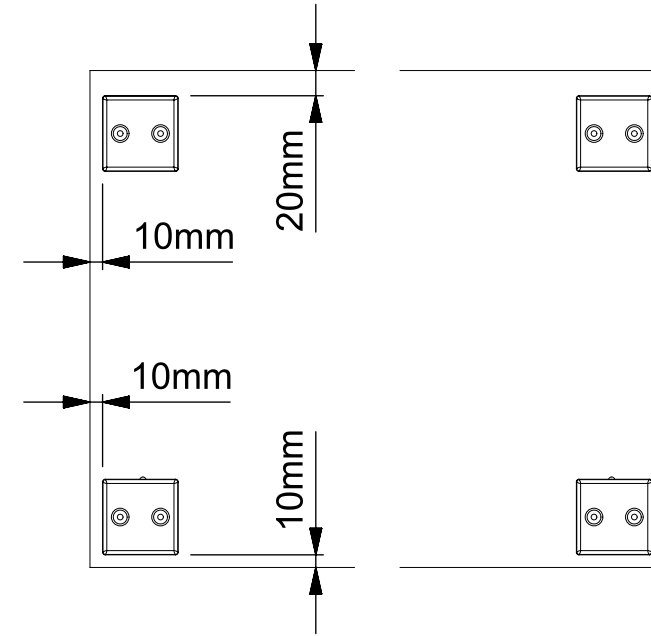
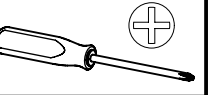
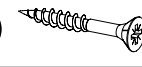


1

8x

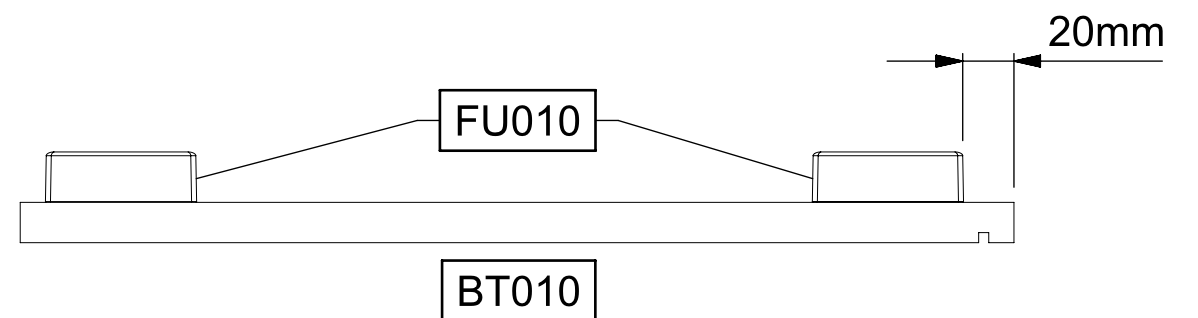
213

4x30



FU010

BT010



FU010

BT010

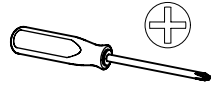
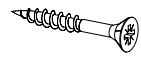
20mm

2

2x

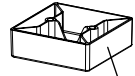
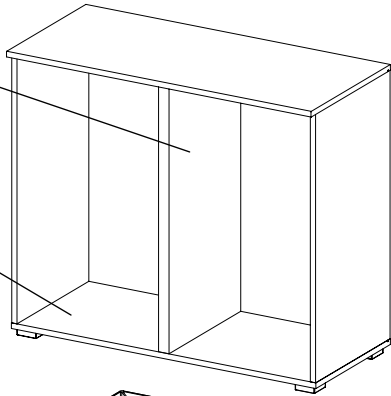
213

4x30



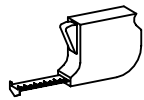
MS010

BT010

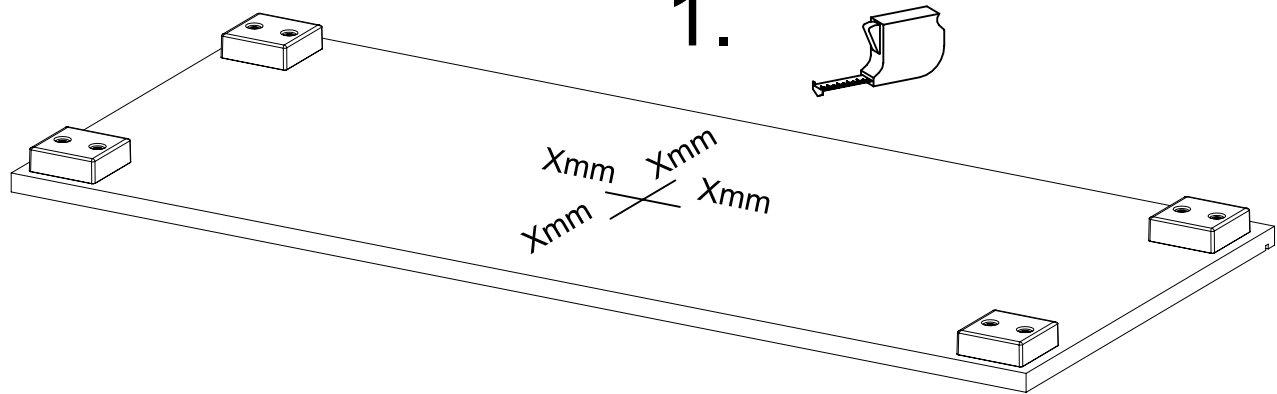


FU010

1.



Xmm Xmm  
Xmm Xmm

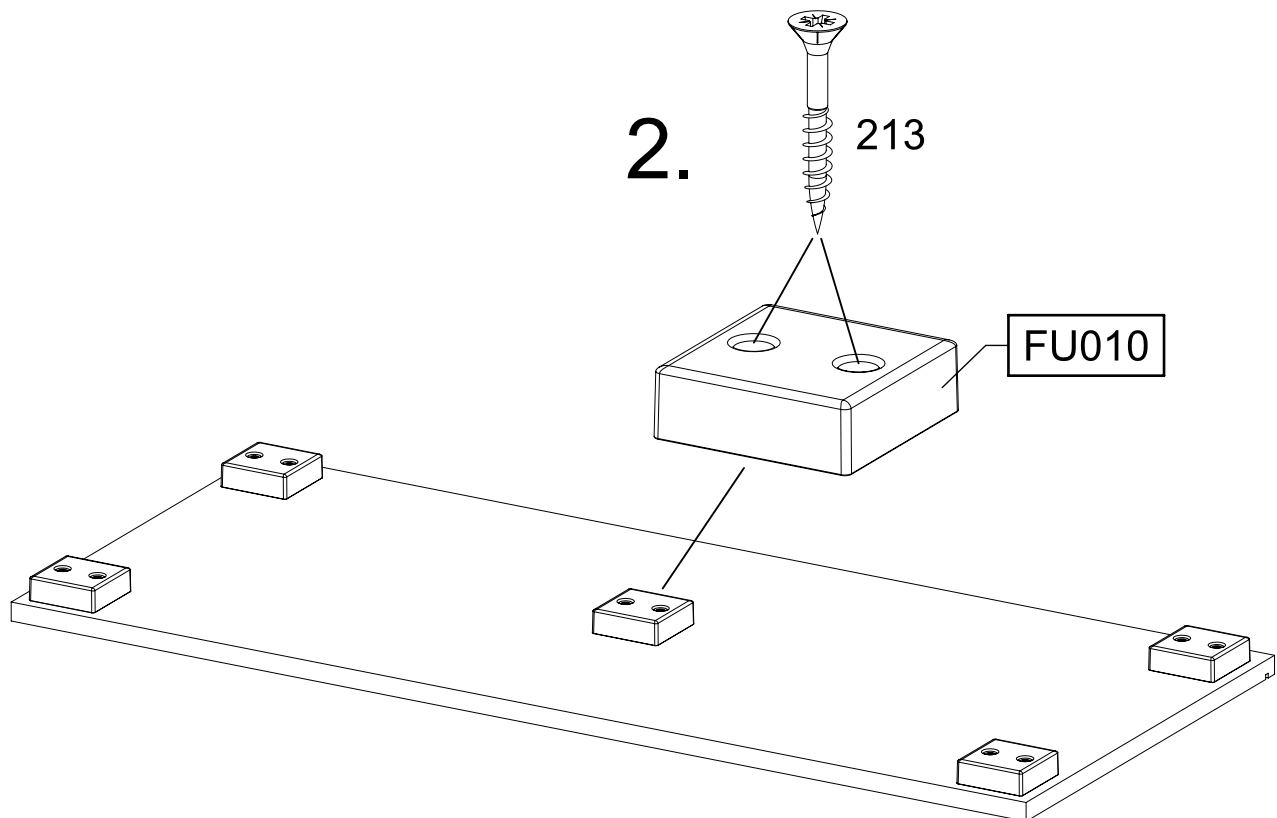


2.



213

FU010

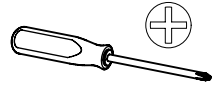
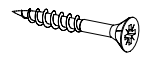


3

2x

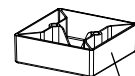
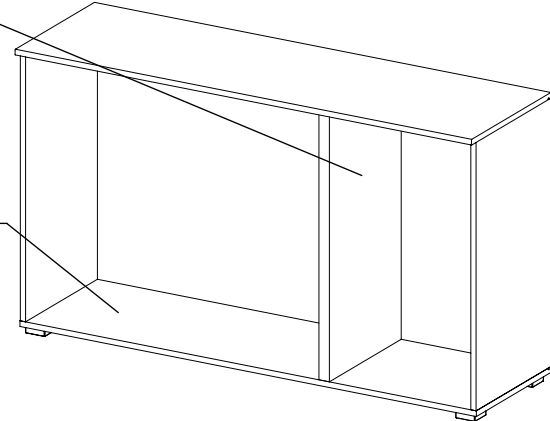
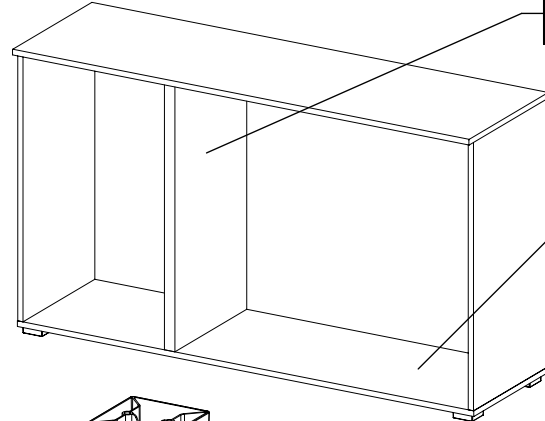
213

4x30

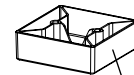


MS010

BT010

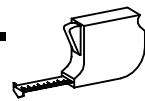


FU010



FU010

1.

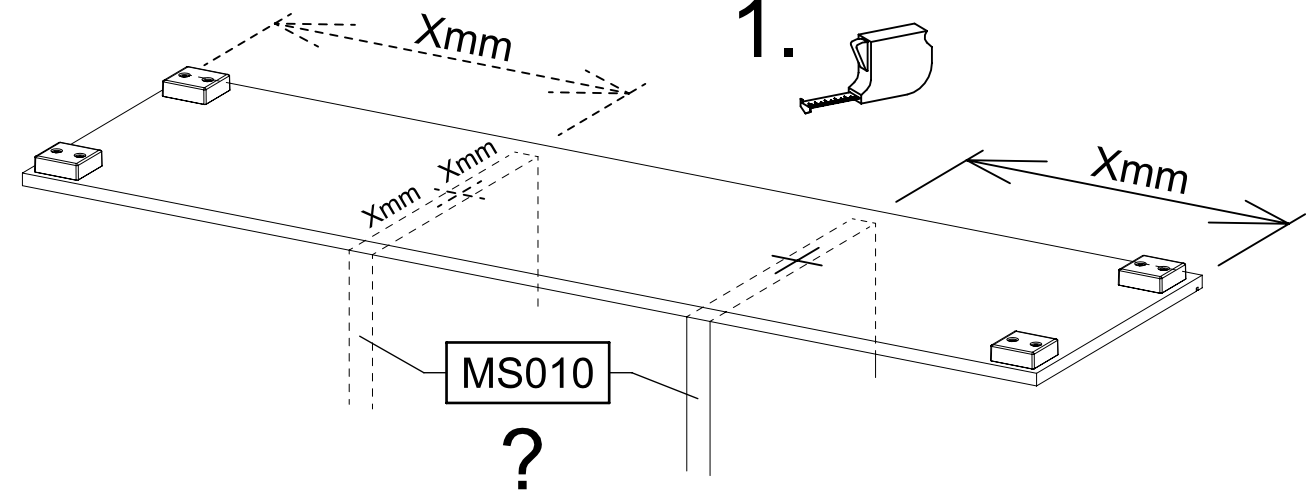


Xmm  
Xmm Xmm

Xmm

MS010

?

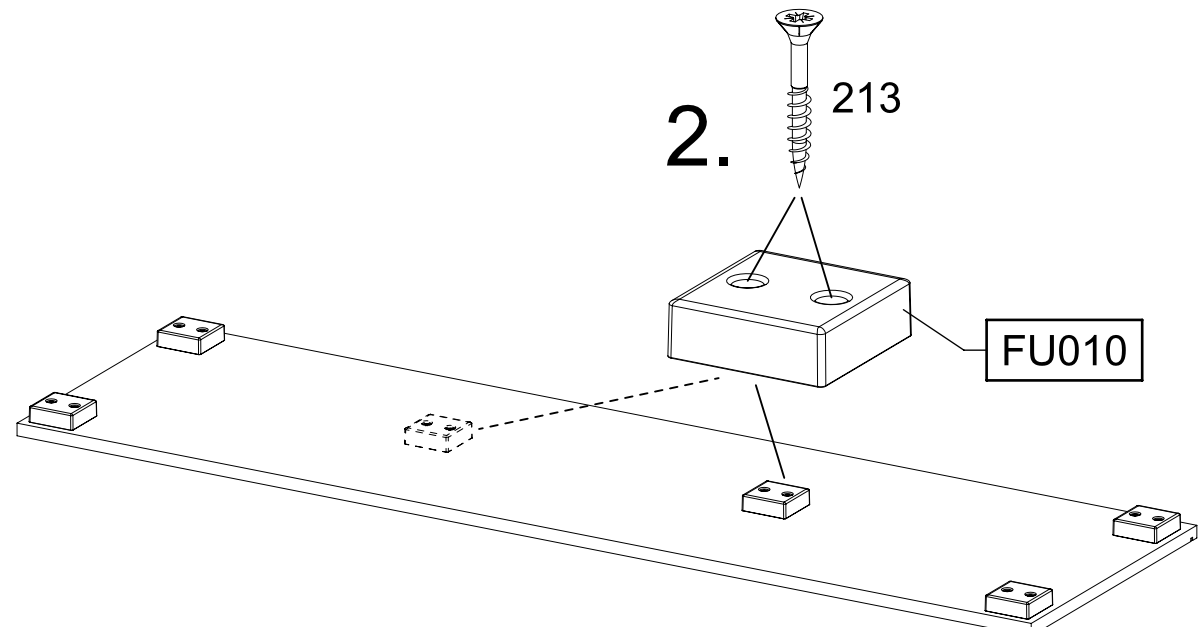


2.



213

FU010

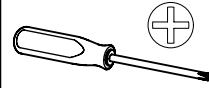
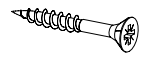


4

4x

213

4x30



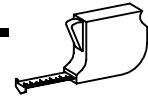
MS010

MS020

BT010

FU010

1.



Xmm

Xmm Xmm

Xmm

MS020

MS010

2.

213

FU010

