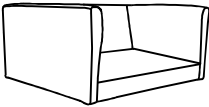






ASSEMBLY INSTRUCTION

A*1 	B*1 	C*1 
D*4 	E*16  m6*20mm	F*1 