

DRAWER DRESSER

User Manual

INTRODUCTION

Thank you for choosing the Drawer Dresser. Please read this user manual carefully and keep it for future reference. If you need any assistance, please contact us by email with your order number and details.



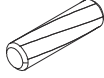

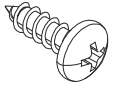
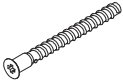
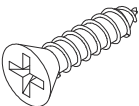

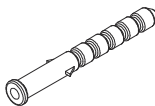
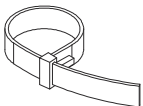
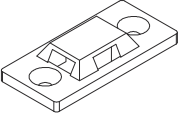
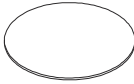


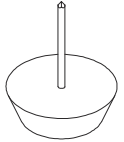
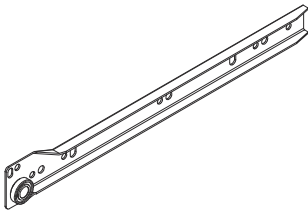
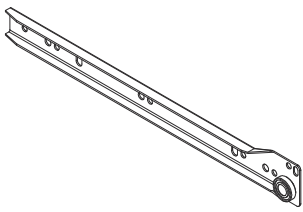
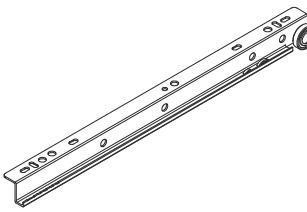
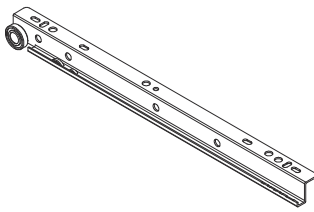
PACKAGE CONTENTS

- 1 x Drawer Dresser
- 1 x Pack of Accessories
- 1 x User Manual

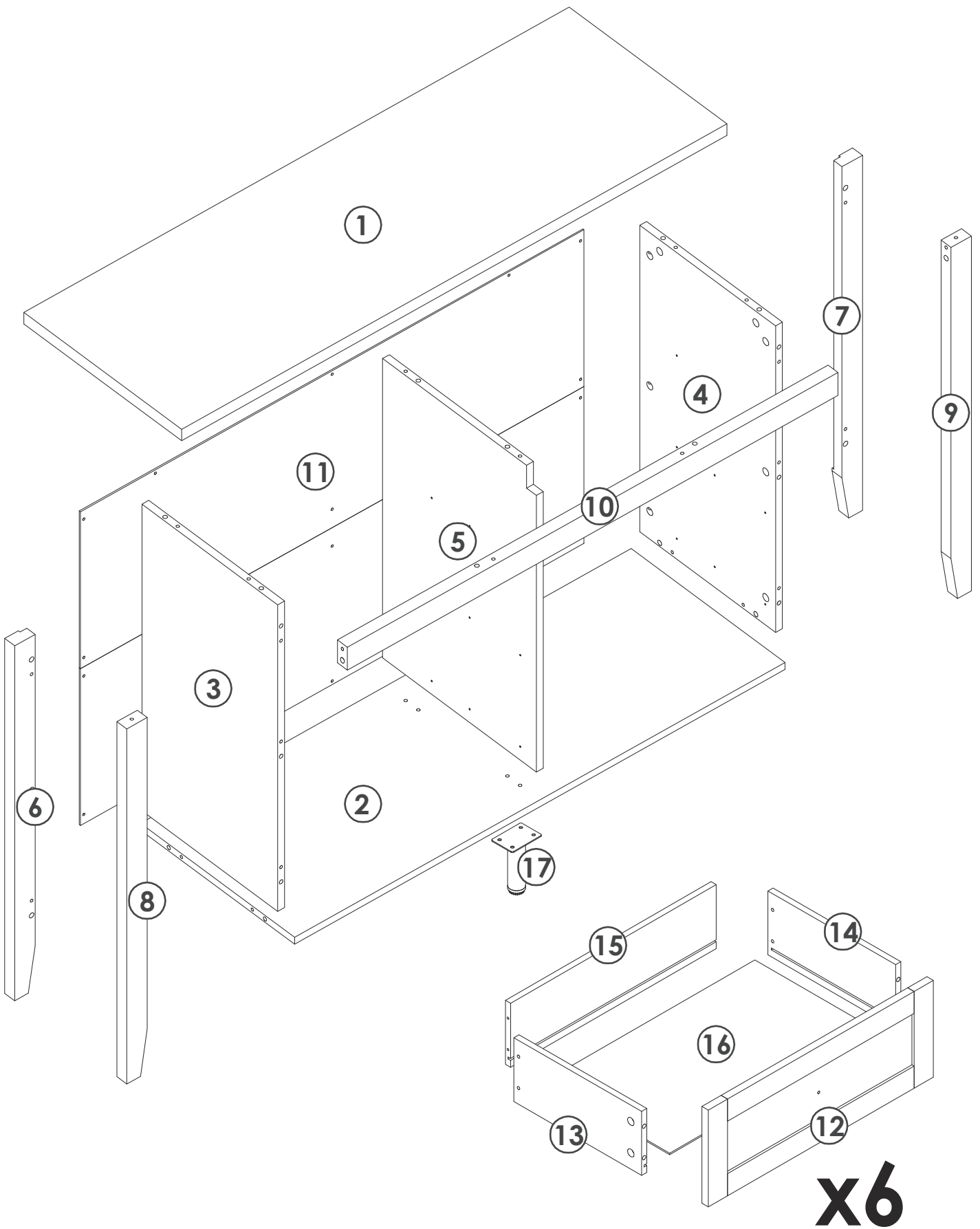
PRODUCT CARE

- Please follow the instruction to assemble this item correctly.
- Don't make the screws be too loose or too tight.
- Please put the screws into the holes' position just as shown in the arrows of the image, and then clockwise rotate 90° or 180°
- More product parts, it is recommended that two people install
- The fittings pack contains small accessories that should be kept away from small children.

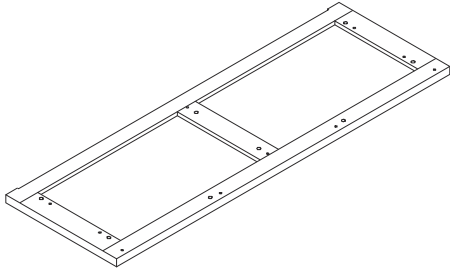
HARDWARES LIST

A M6*25mm  x50+2	B 15*10mm  x50+2	C 6*30mm  x30+2	D M3.5*14mm  x76+4	E M4*12mm  x18+1
F M5*40mm  x26+2	G M4*16mm  x4	H H4*44mm  x4	I  x4	J  x2
K  x4	L 22*0.4mm  x50+2	M Ø26mm  x6	N M4*15mm  x6	O Ø16*20mm  x4
CL 300mm  x6	CR 300mm  x6	DL 300mm  x6	DR 300mm  x6	

PARTS LIST

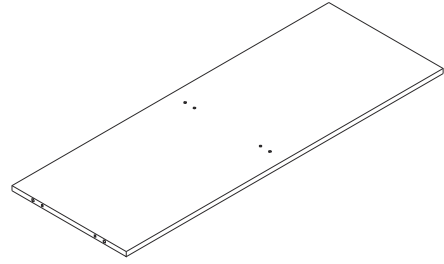


① 120x39.9x2.5cm



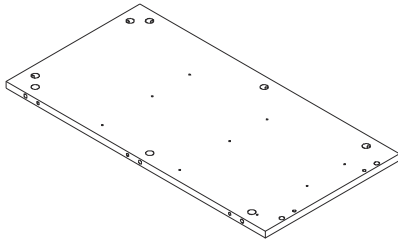
x1

② 107.9x39x1.5cm



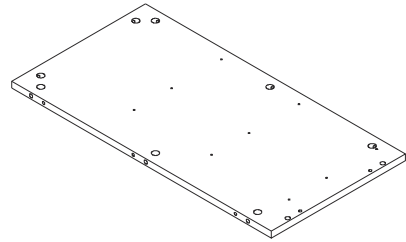
x1

③ 66.6x34.4x1.5cm



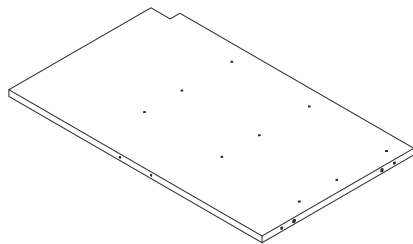
x1

④ 66.6x34.4x1.5cm



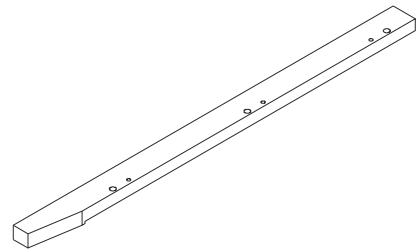
x1

⑤ 65x38.9x1.5cm



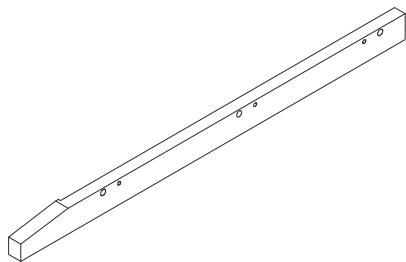
x1

⑥ 77.1x4.5x2.5cm



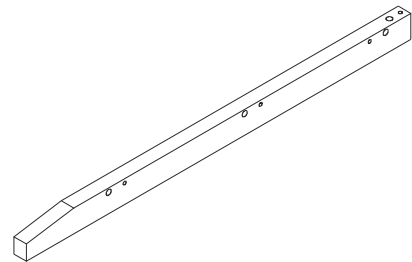
x1

⑦ 77.1x4.5x2.5cm



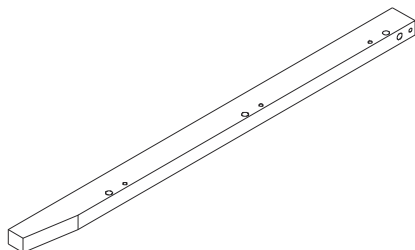
x1

⑧ 77.1x4.5x2.5cm



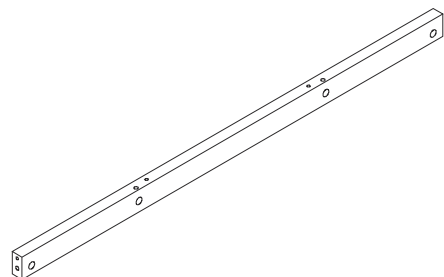
x1

⑨ 77.1x4.5x2.5cm



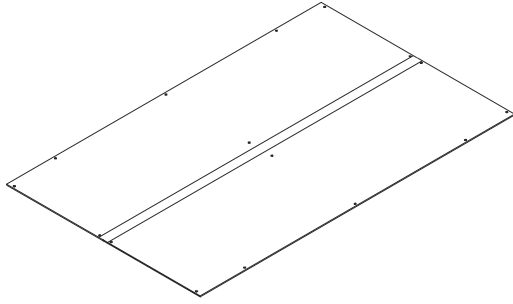
x1

⑩ 107.9x5x2.5cm



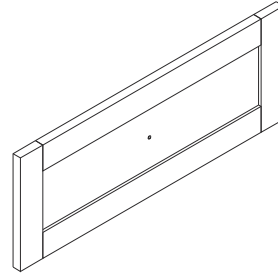
x1

⑪ 68.2x110.8x0.3cm



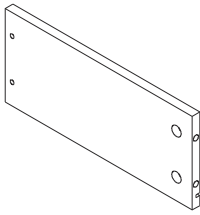
x1

⑫ 52.6x19.6x1.5cm



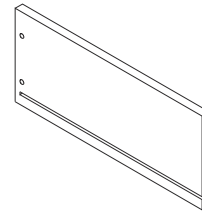
x6

⑬ 30x13x1.2cm



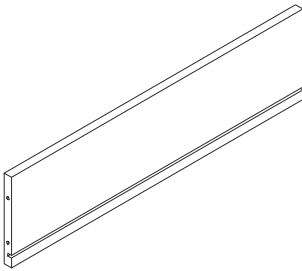
x6

⑭ 30x13x1.2cm



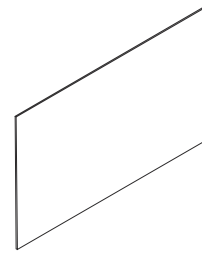
x6

⑮ 48.3x13x1.2cm



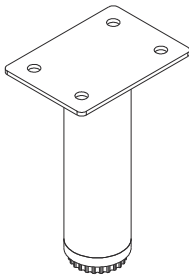
x6

⑯ 29.3x49.3x0.3cm

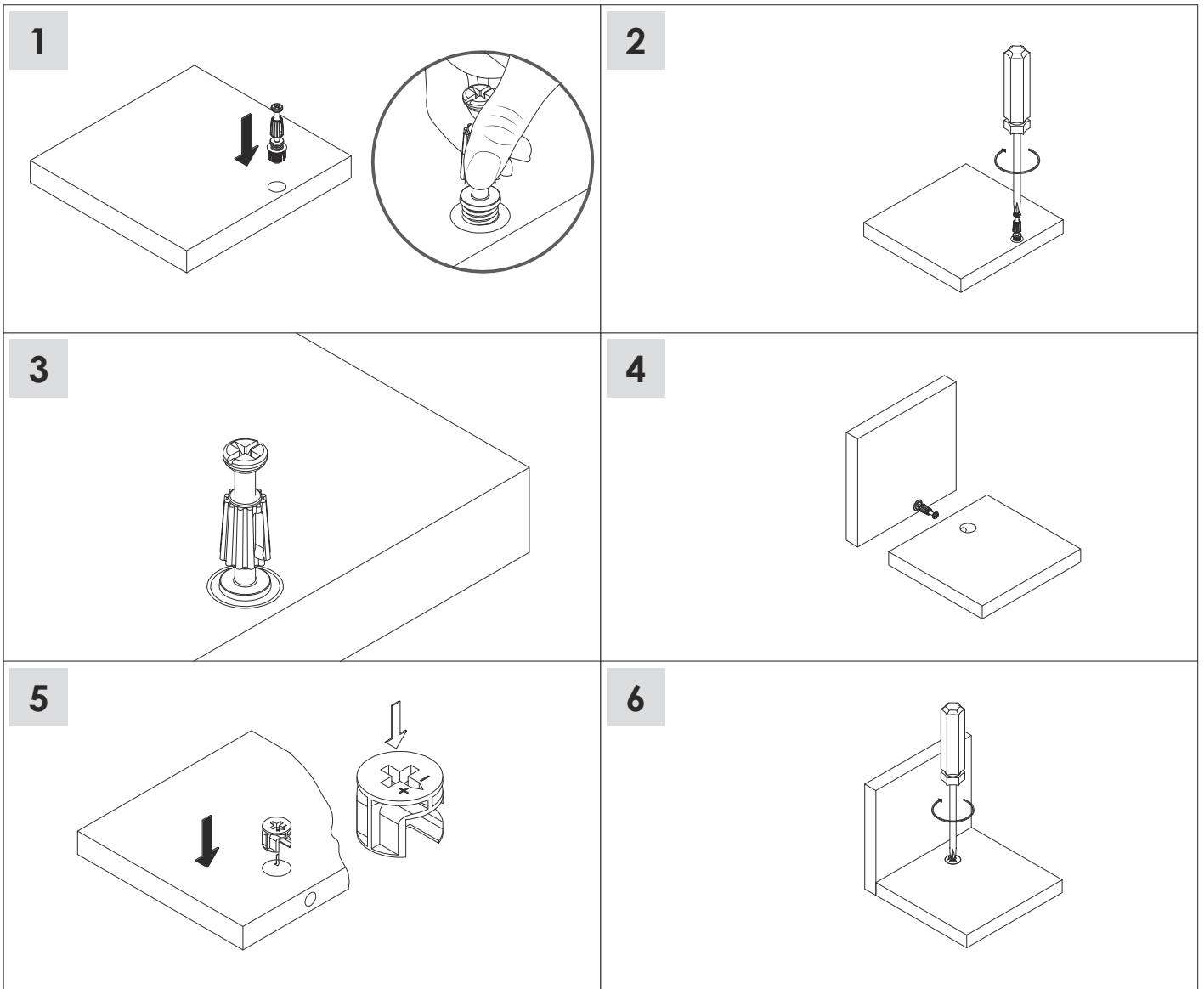


x6

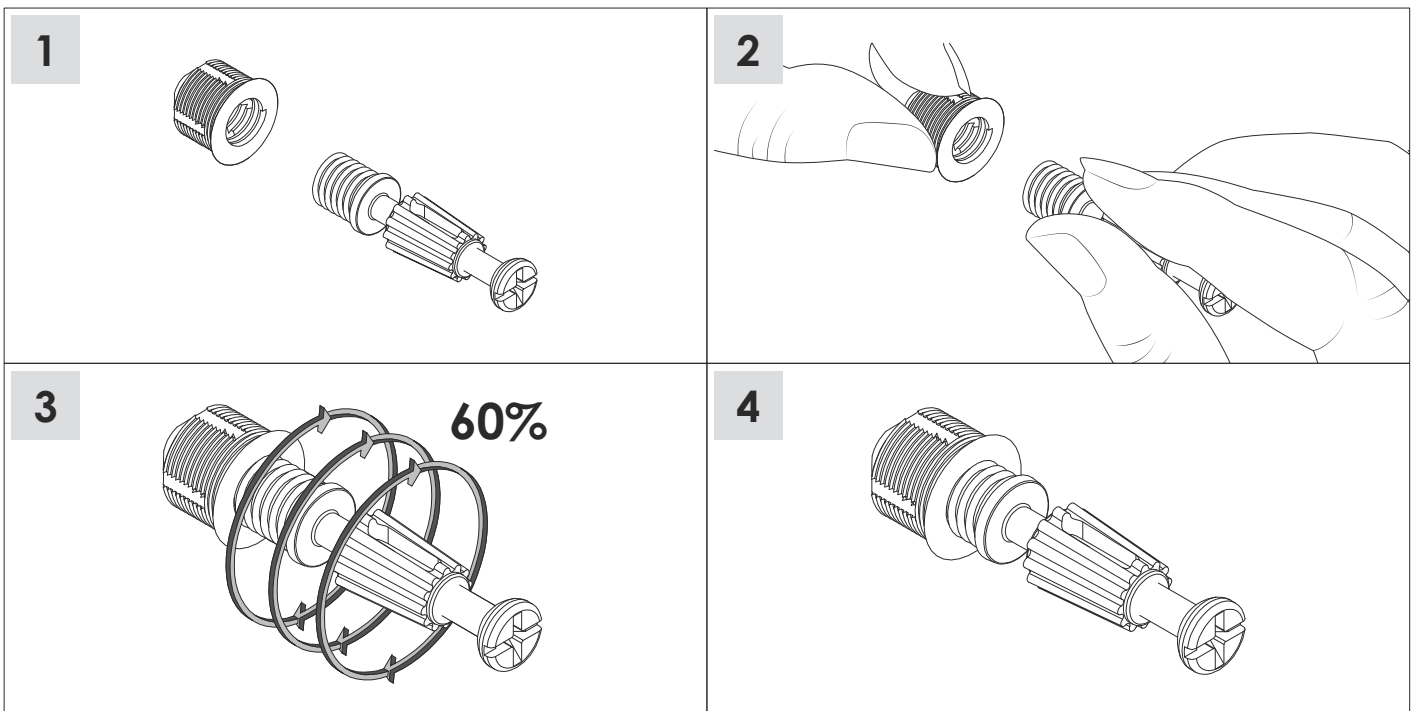
⑰ 7x5x10.5cm



x1



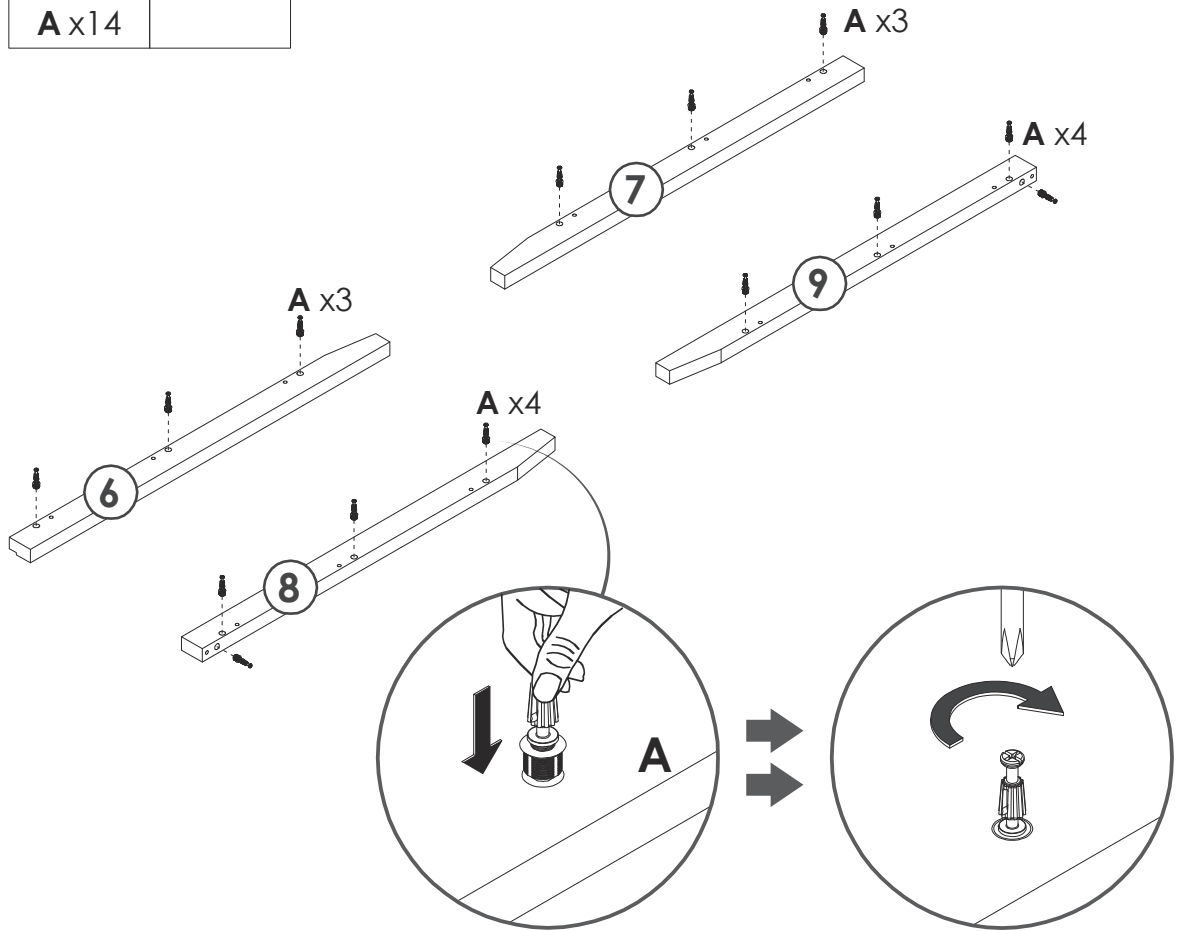
If the colloid drops, a step.



1

YOU WILL NEED

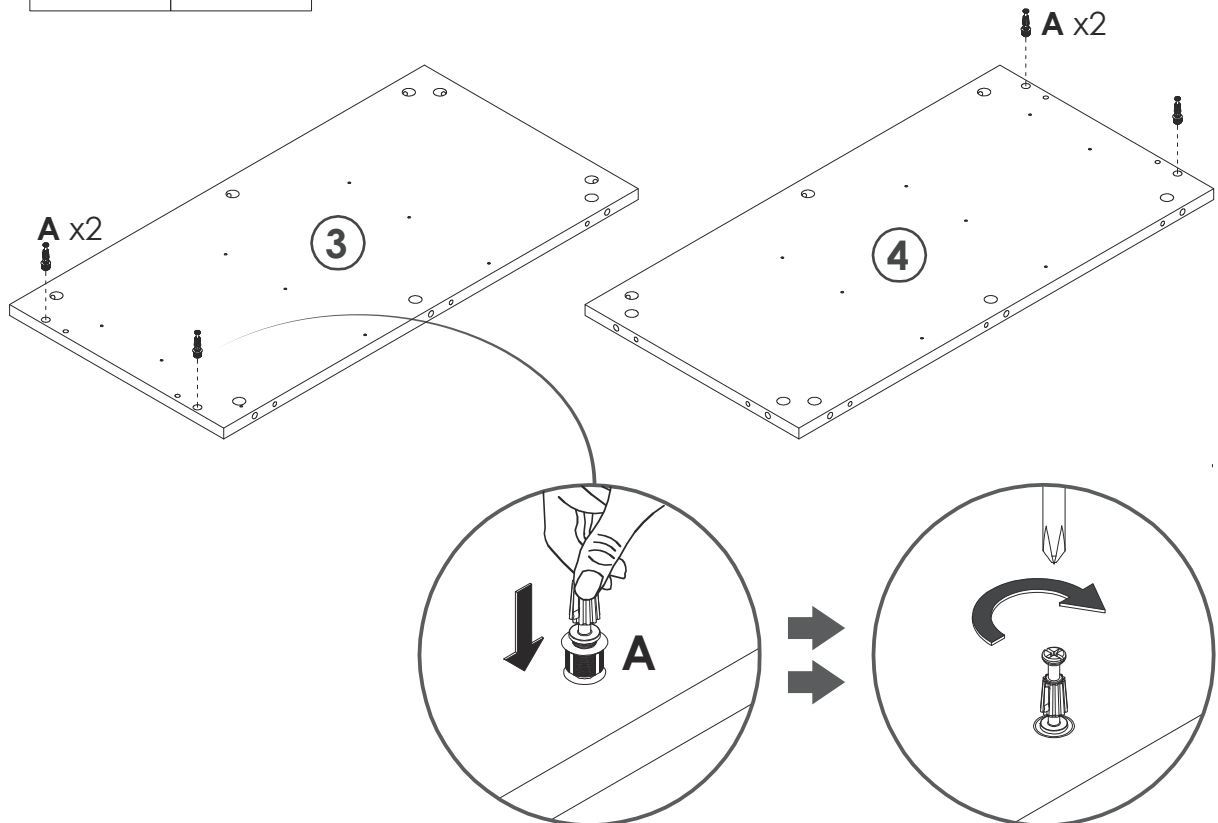
A x14



2

YOU WILL NEED

A x4

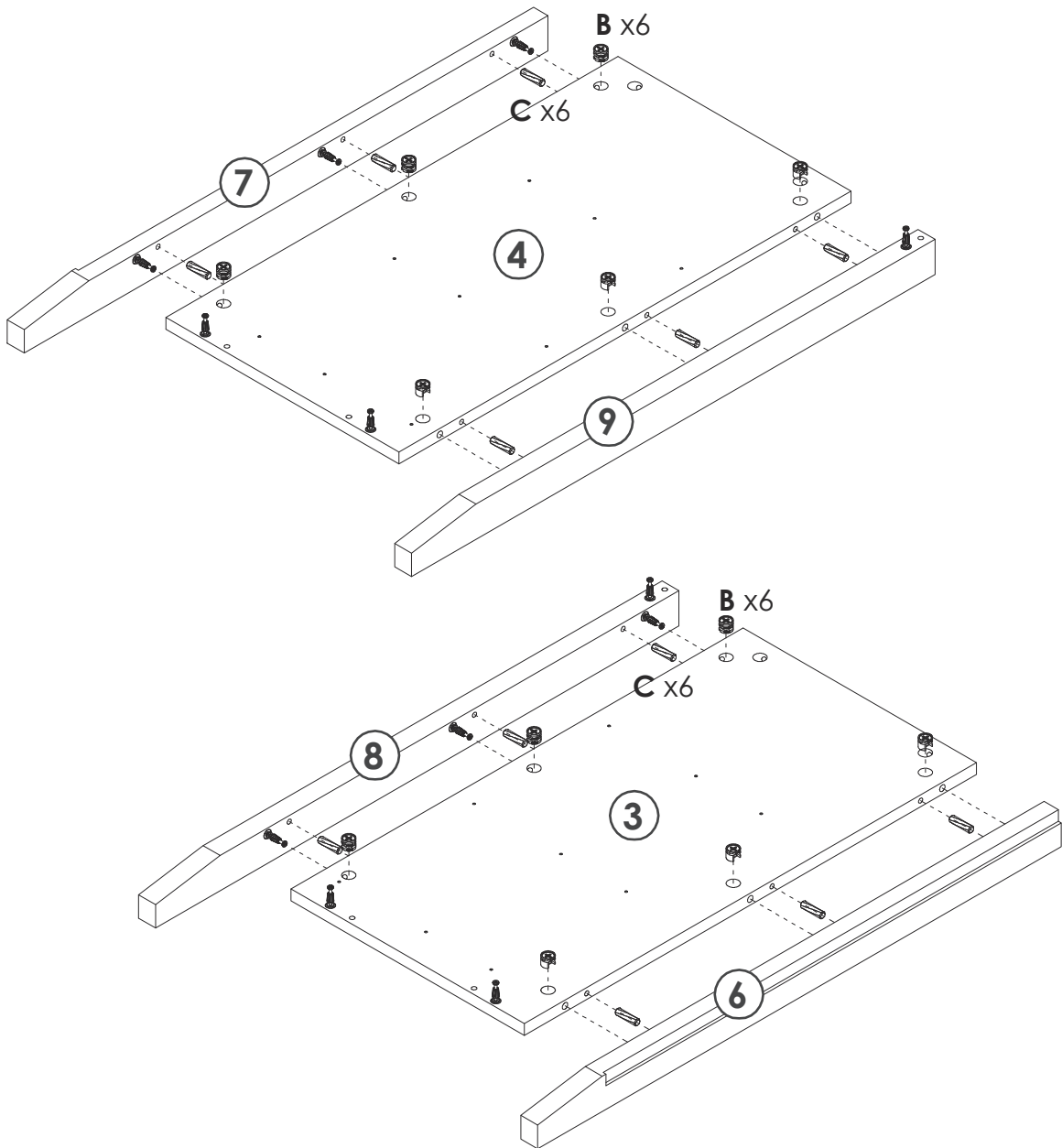
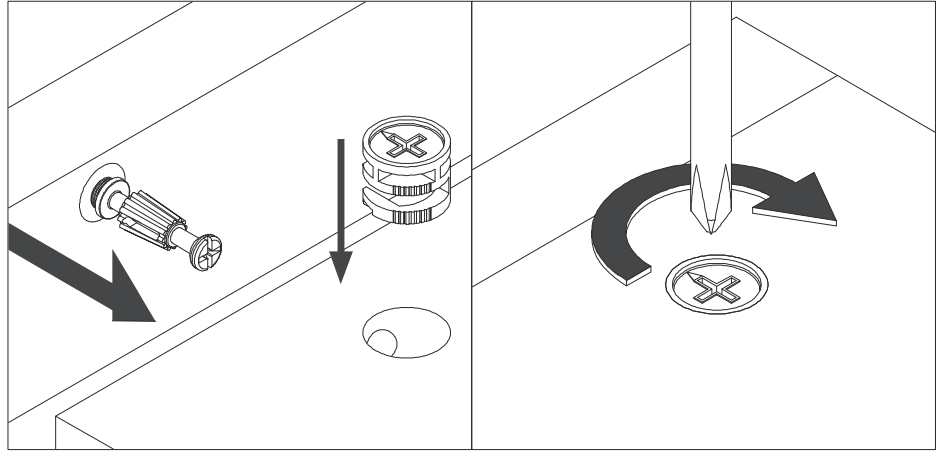


3

YOU WILL NEED

B x12

C x12



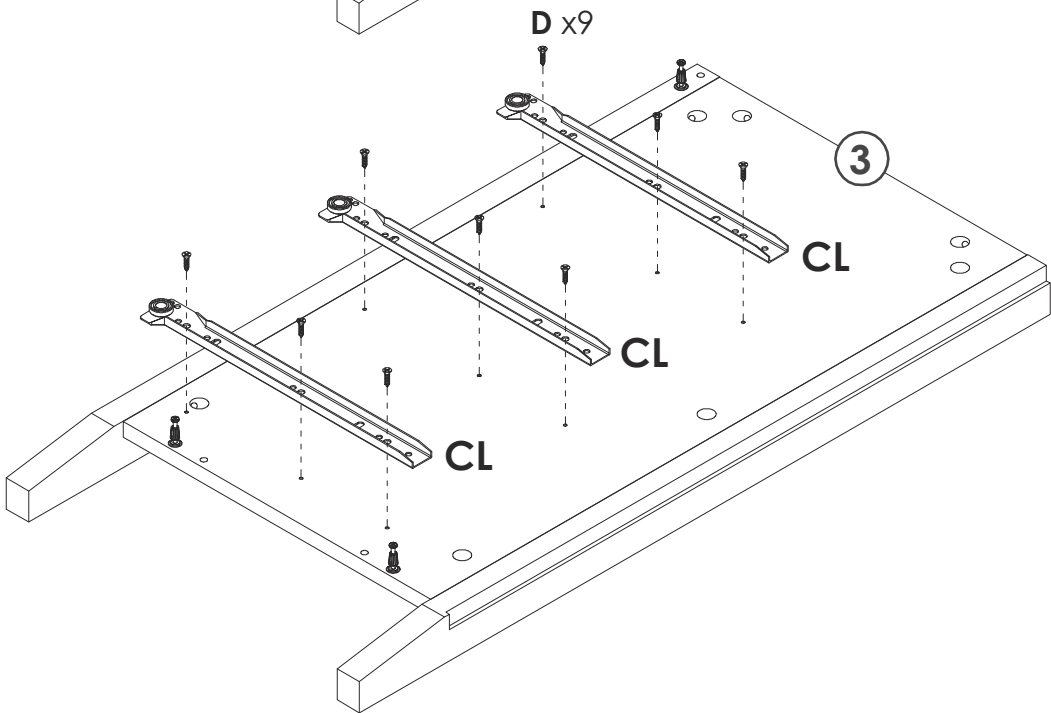
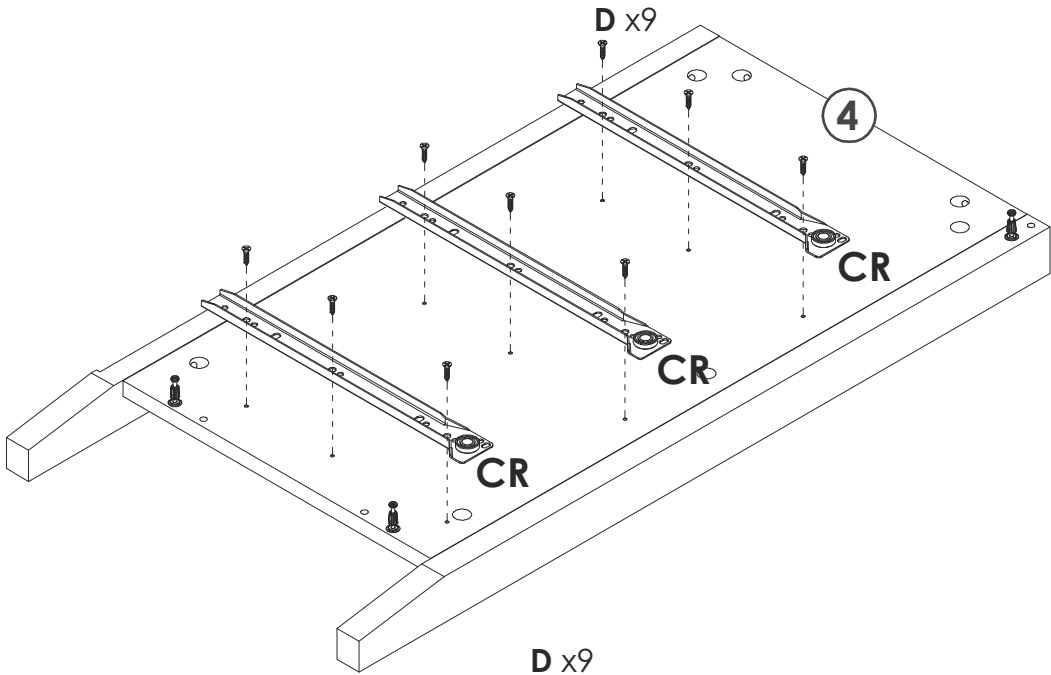
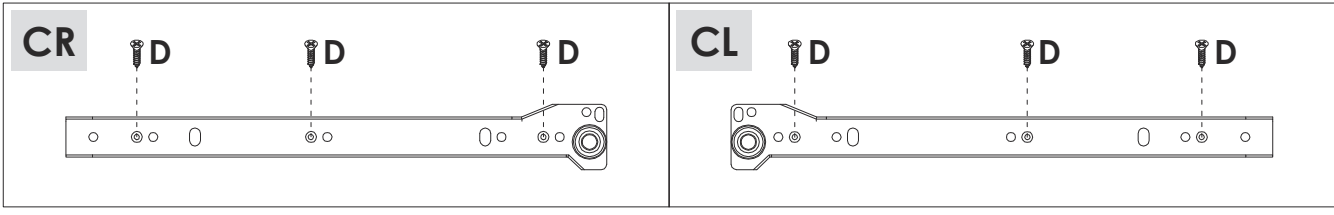
4

YOU WILL NEED

D x18

CL x3

CR x3



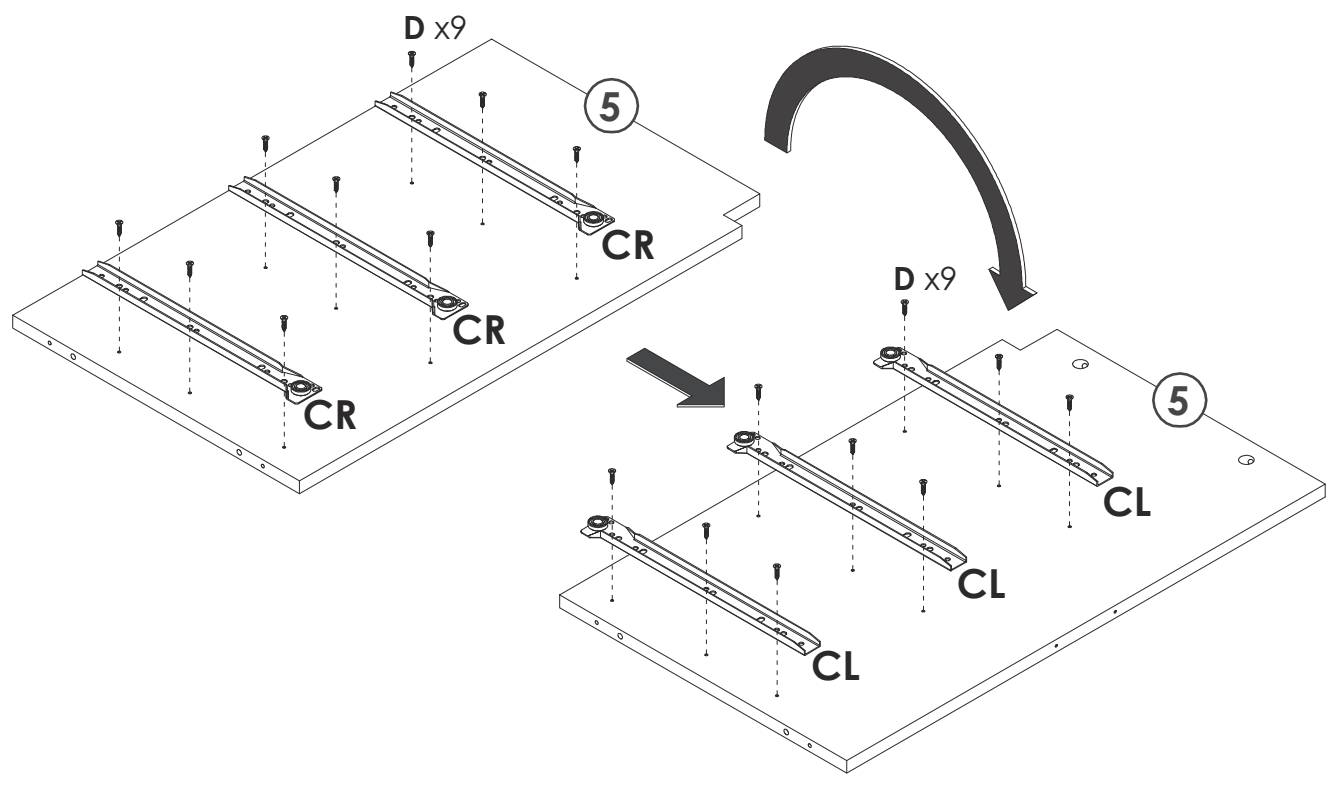
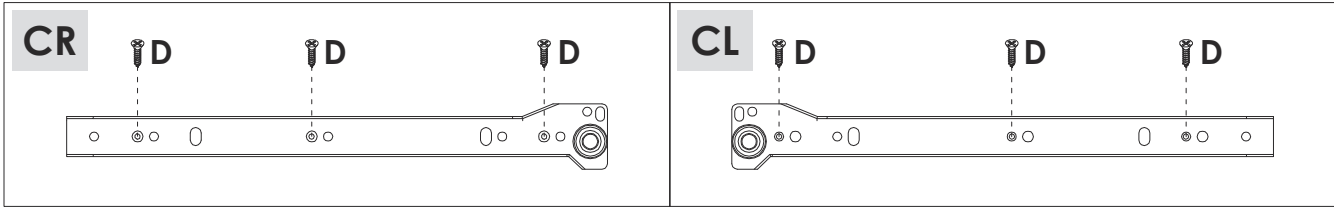
5

YOU WILL NEED

D x18

CL x3

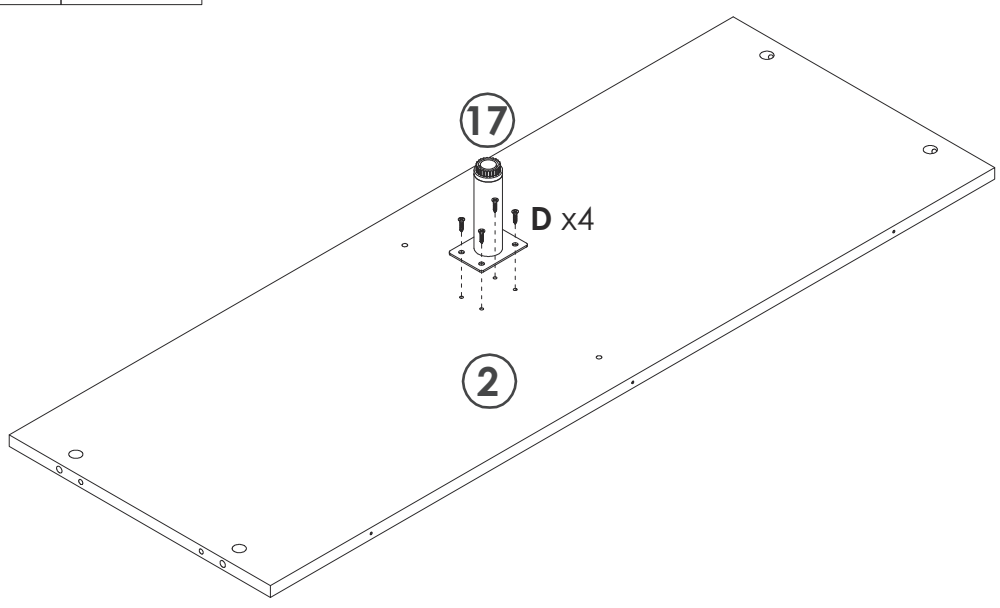
CR x3



6

YOU WILL NEED

D x4

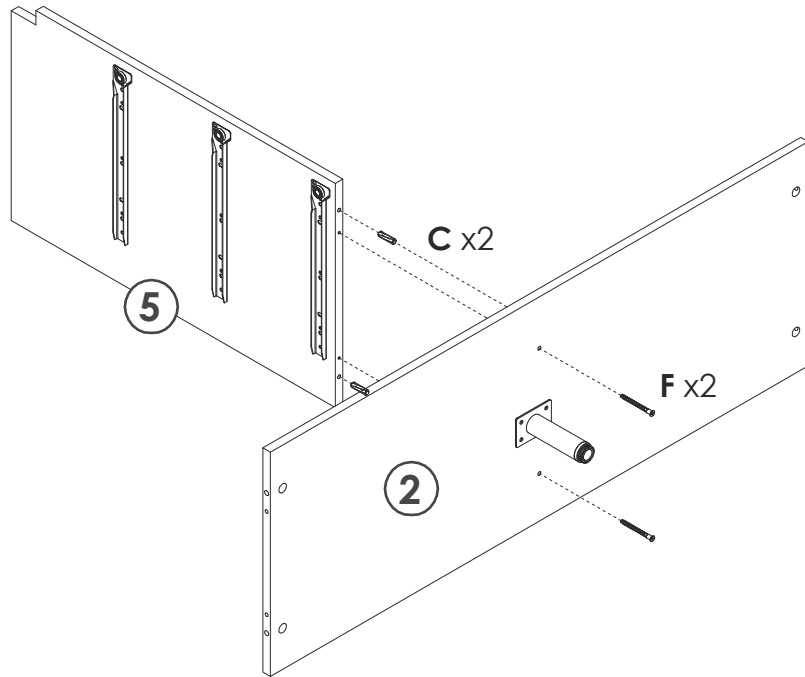


7

YOU WILL NEED

F x2

C x2



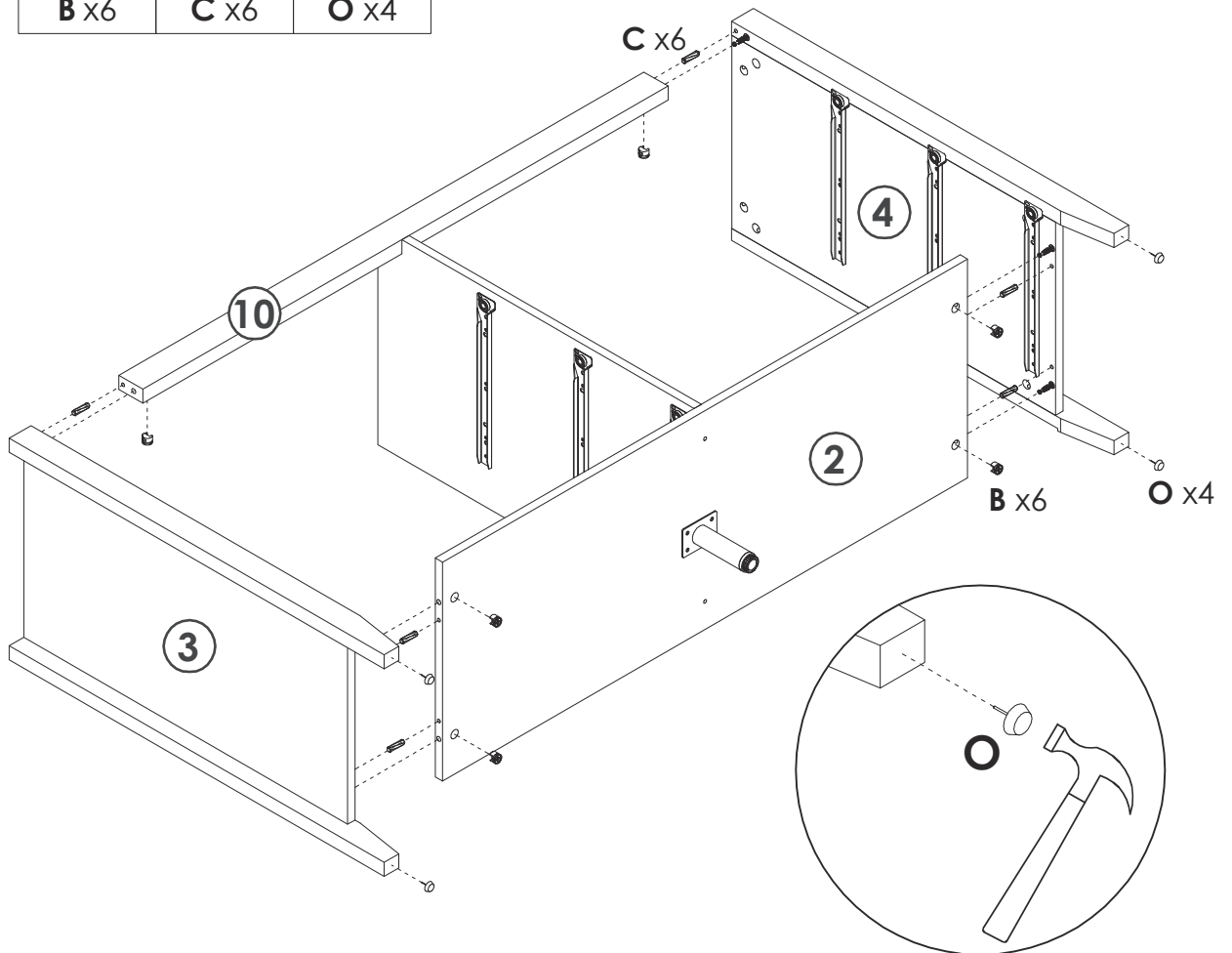
8

YOU WILL NEED

B x6

C x6

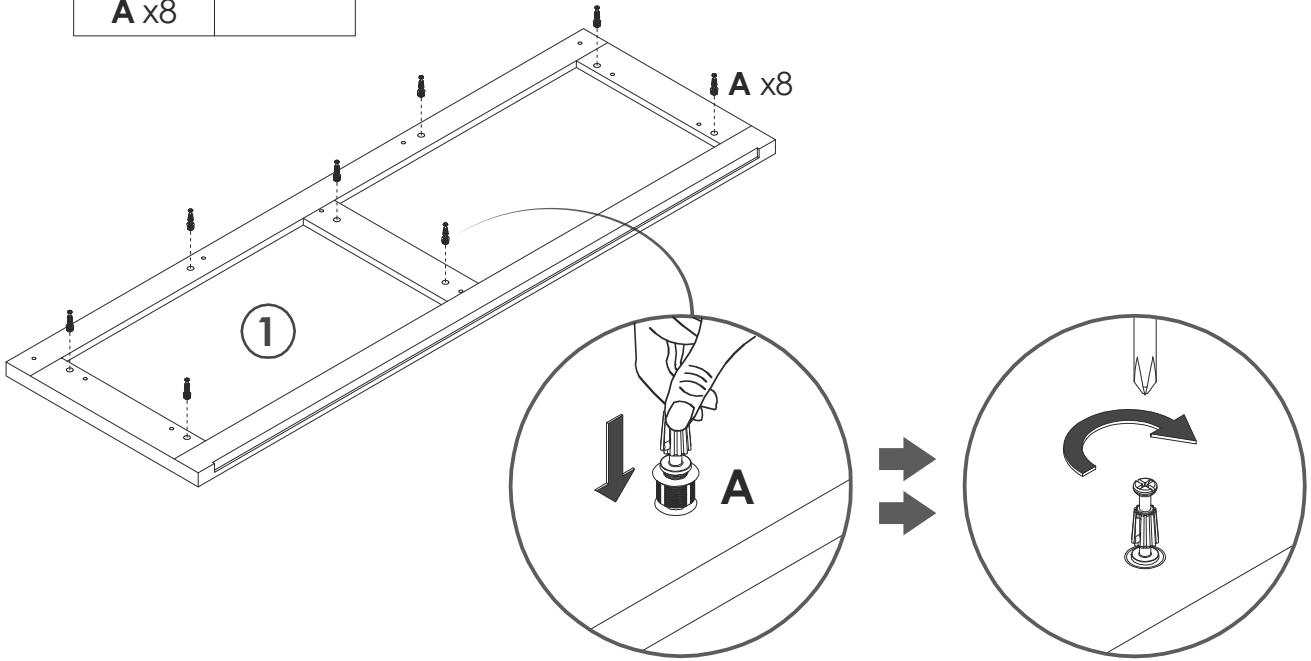
O x4



9

YOU WILL NEED

A x8

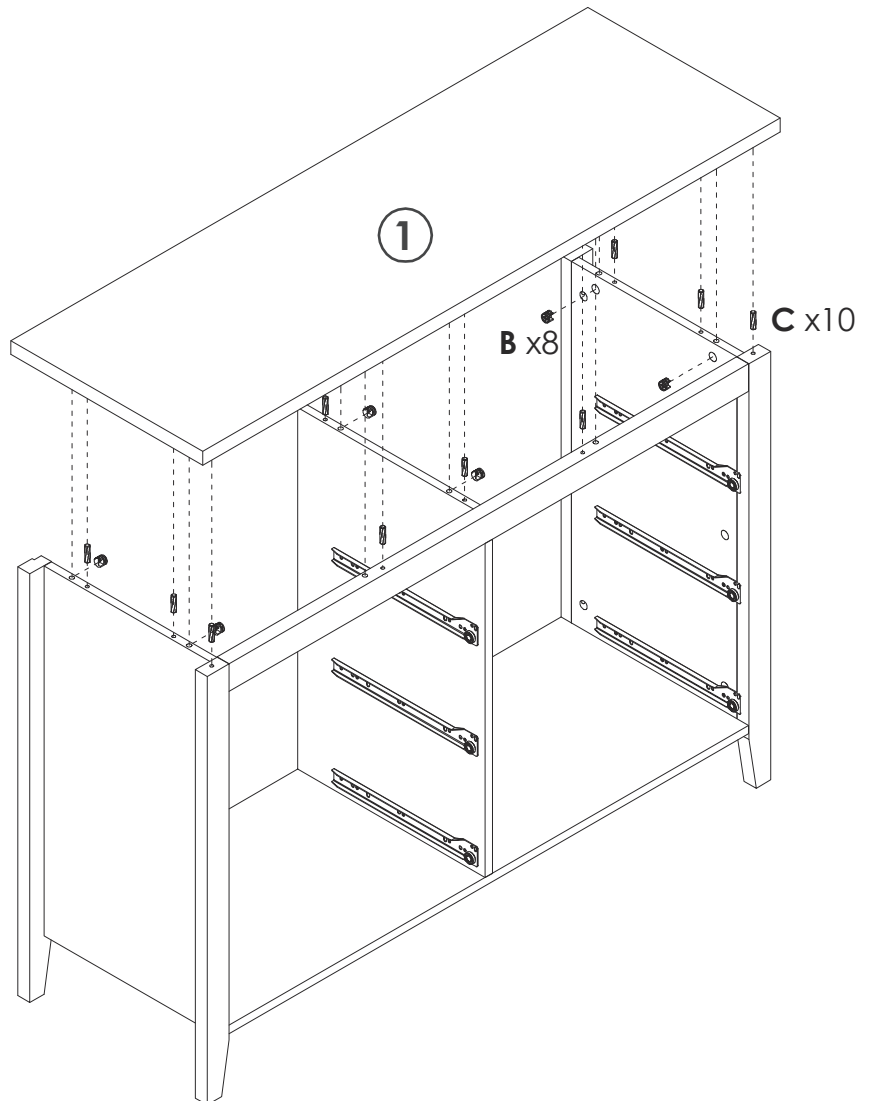
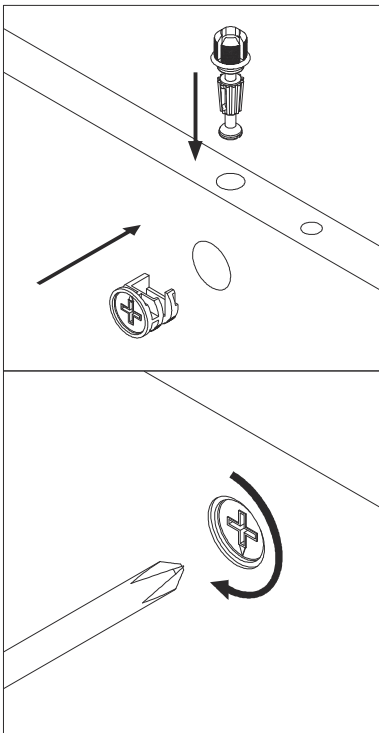


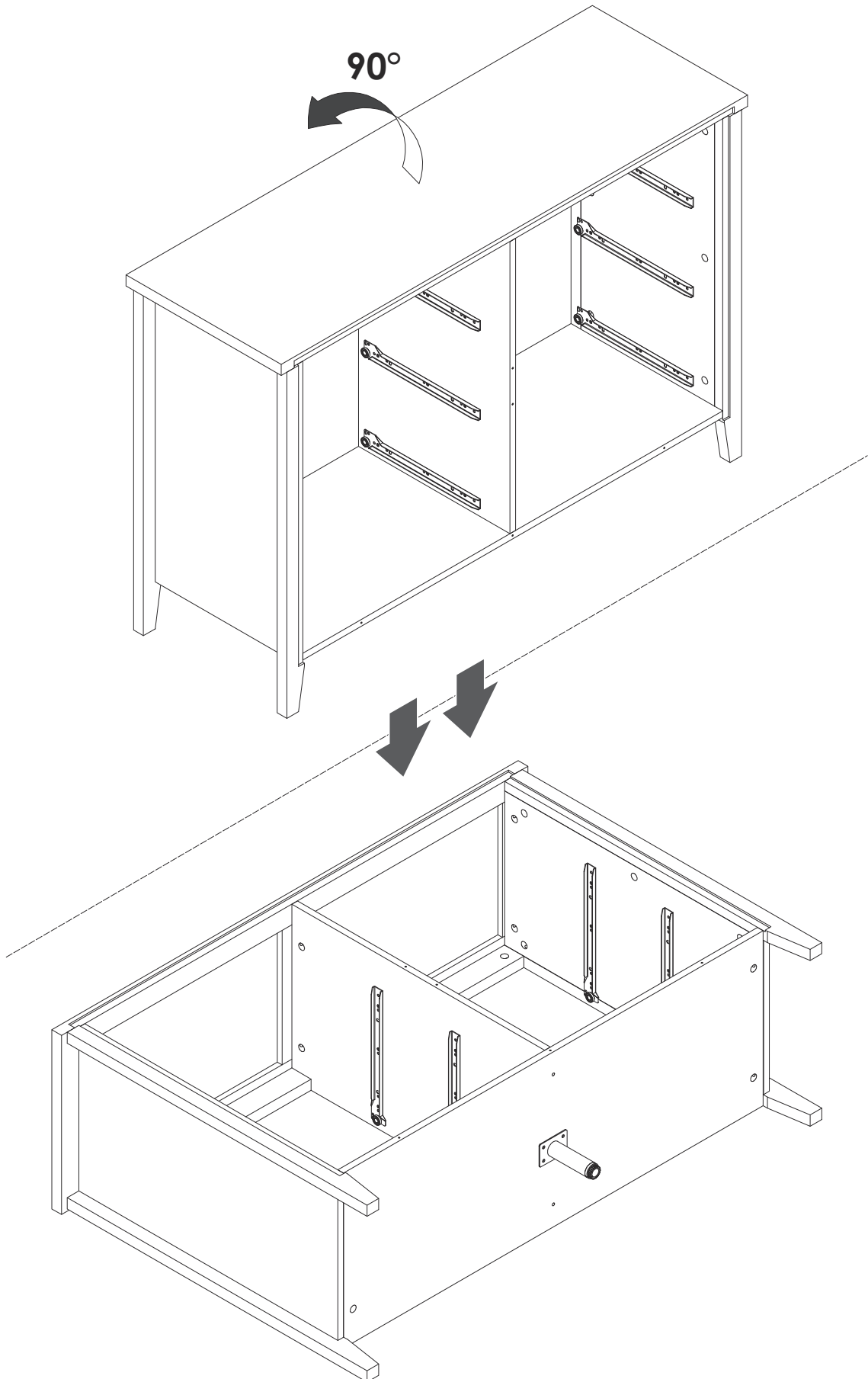
10

YOU WILL NEED

B x8

C x10

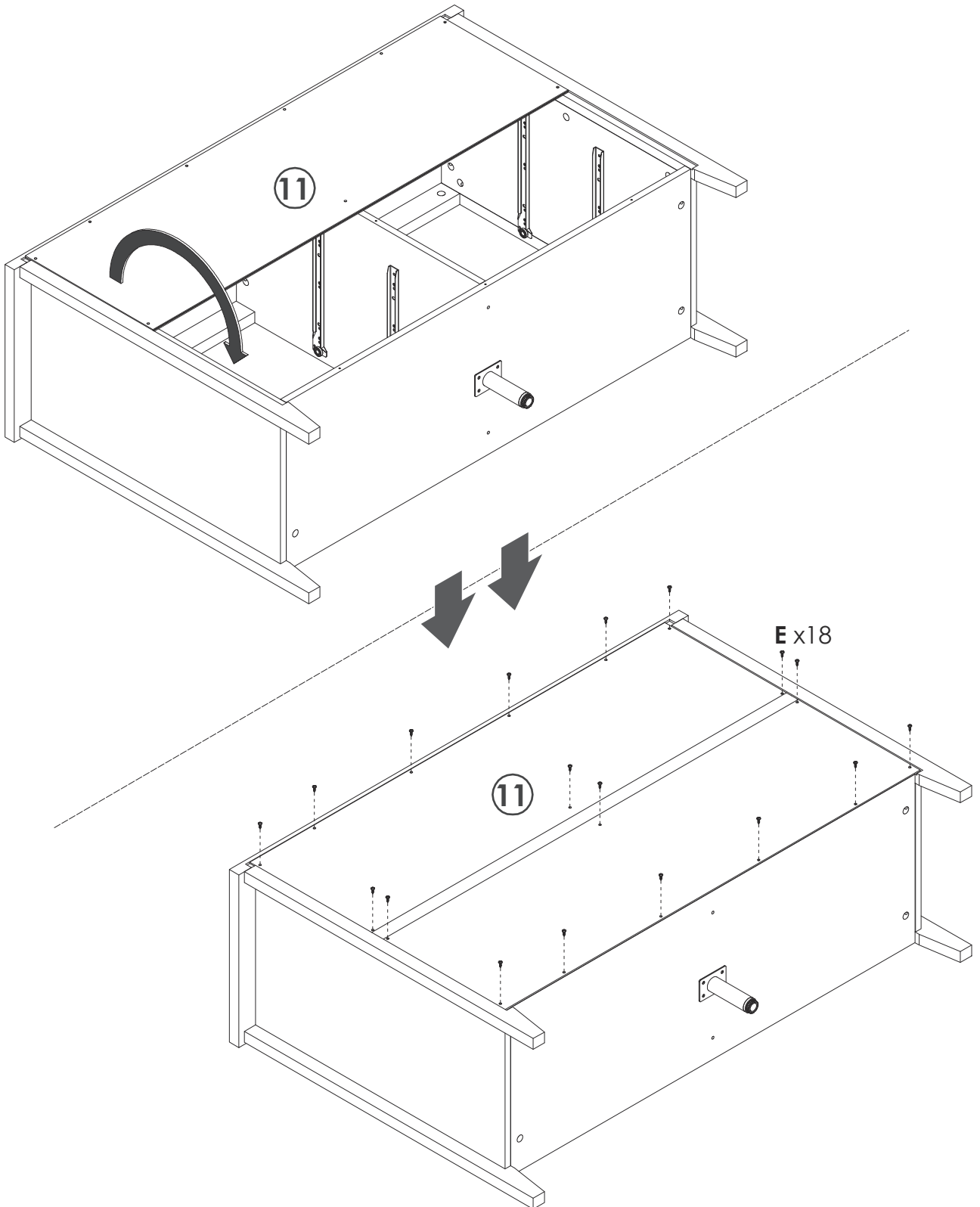
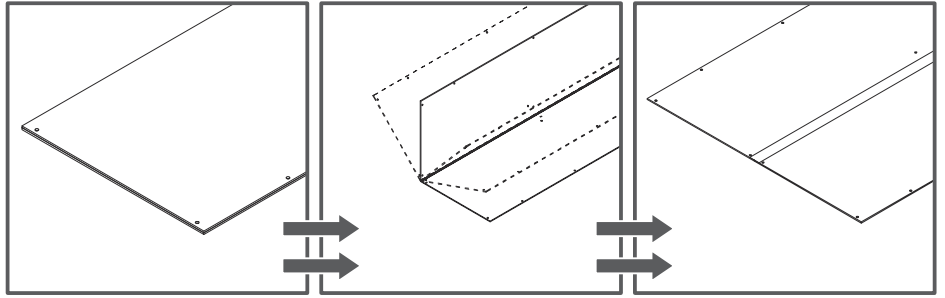




12

YOU WILL NEED

E x18

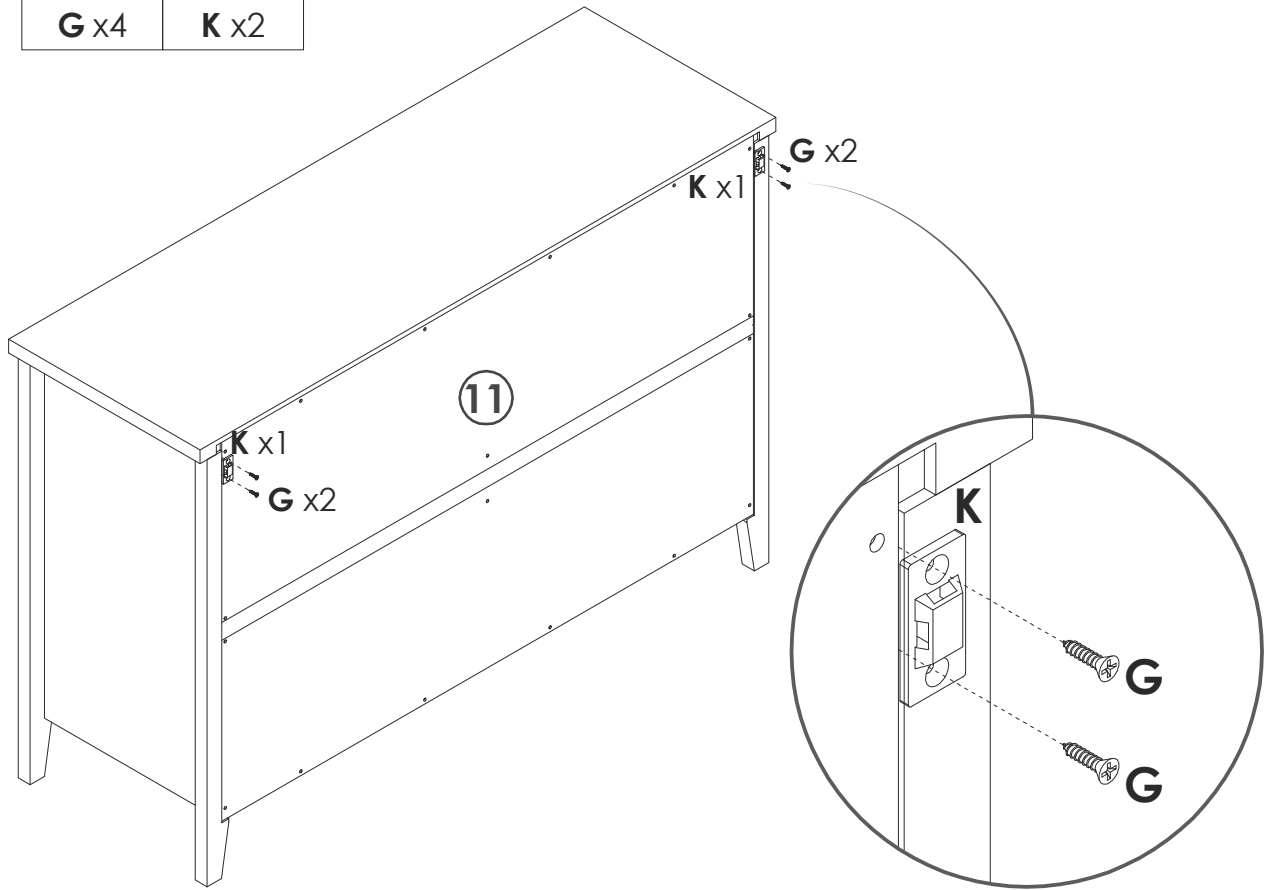


13

YOU WILL NEED

G x4

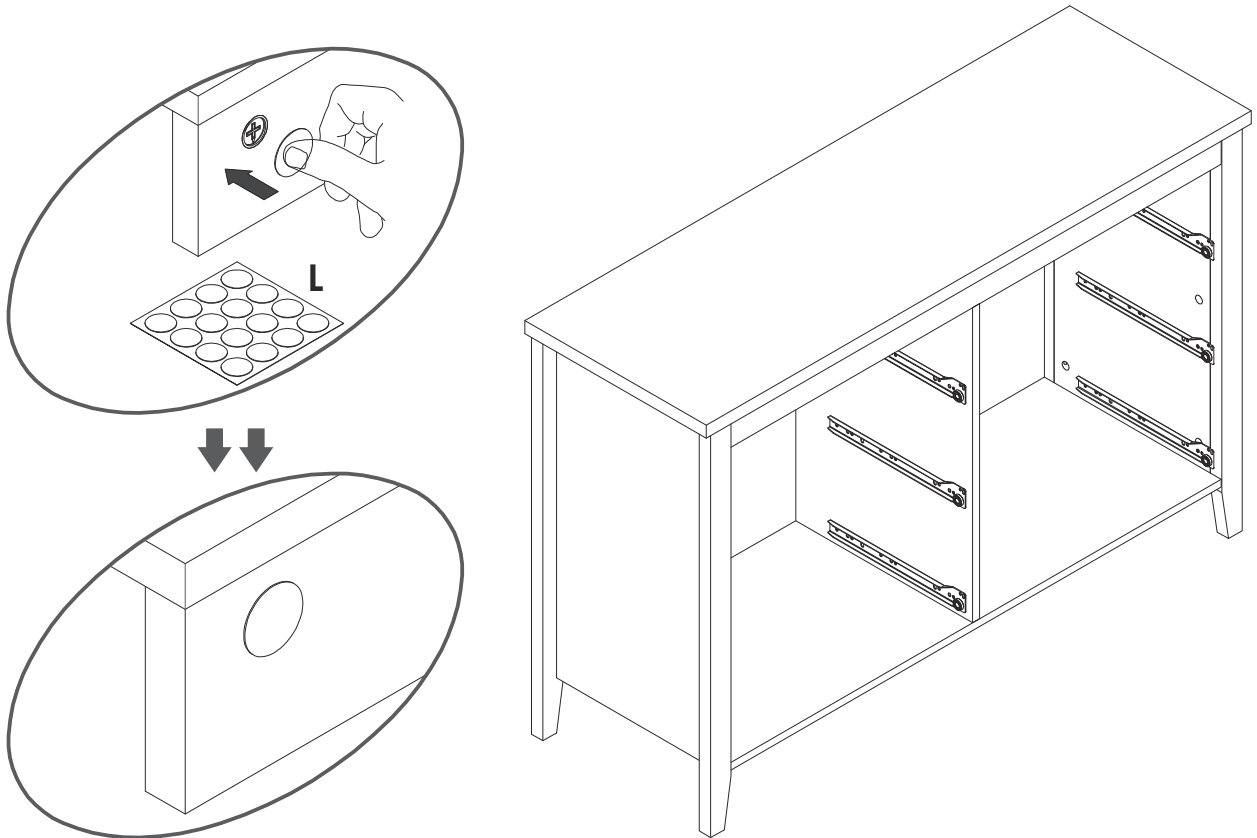
K x2



14

YOU WILL NEED

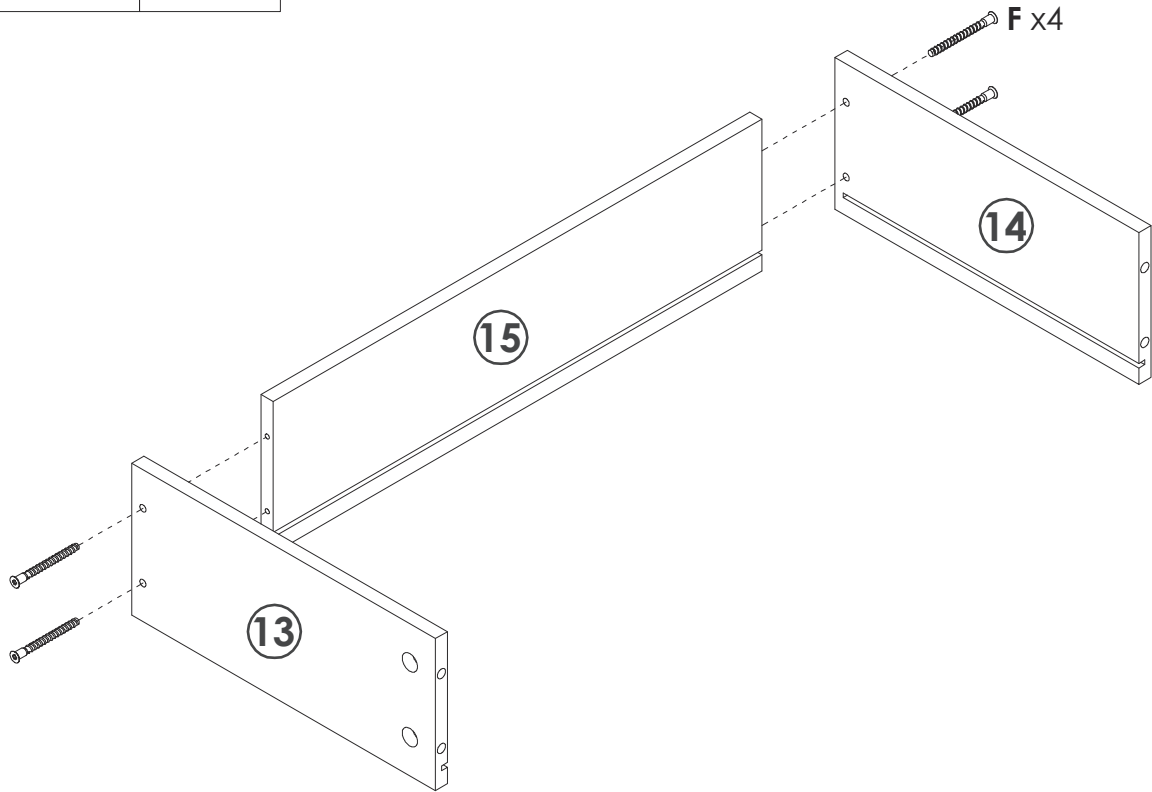
L x26



15

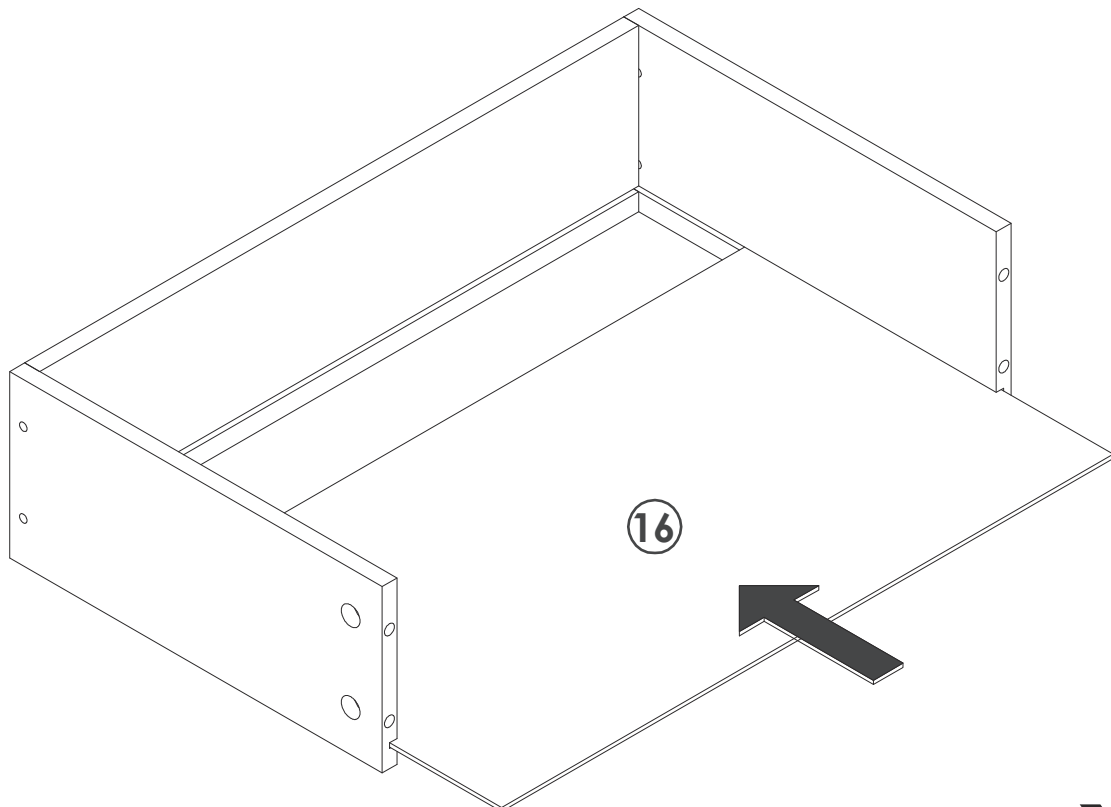
YOU WILL NEED

F x24



x6

16



x6

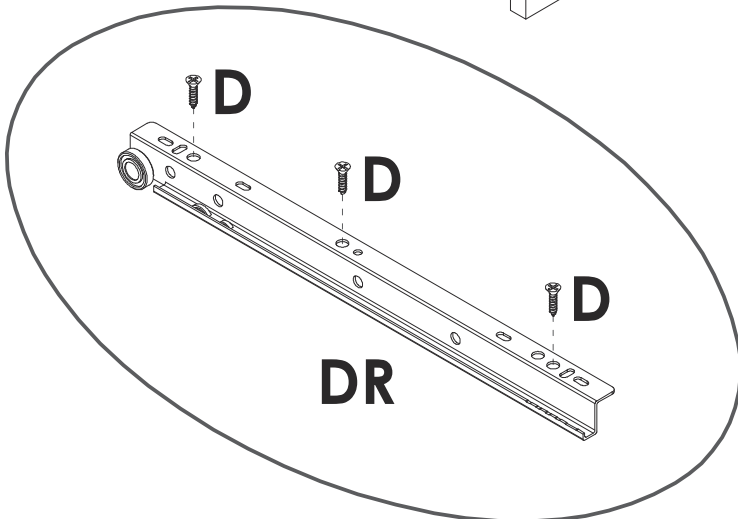
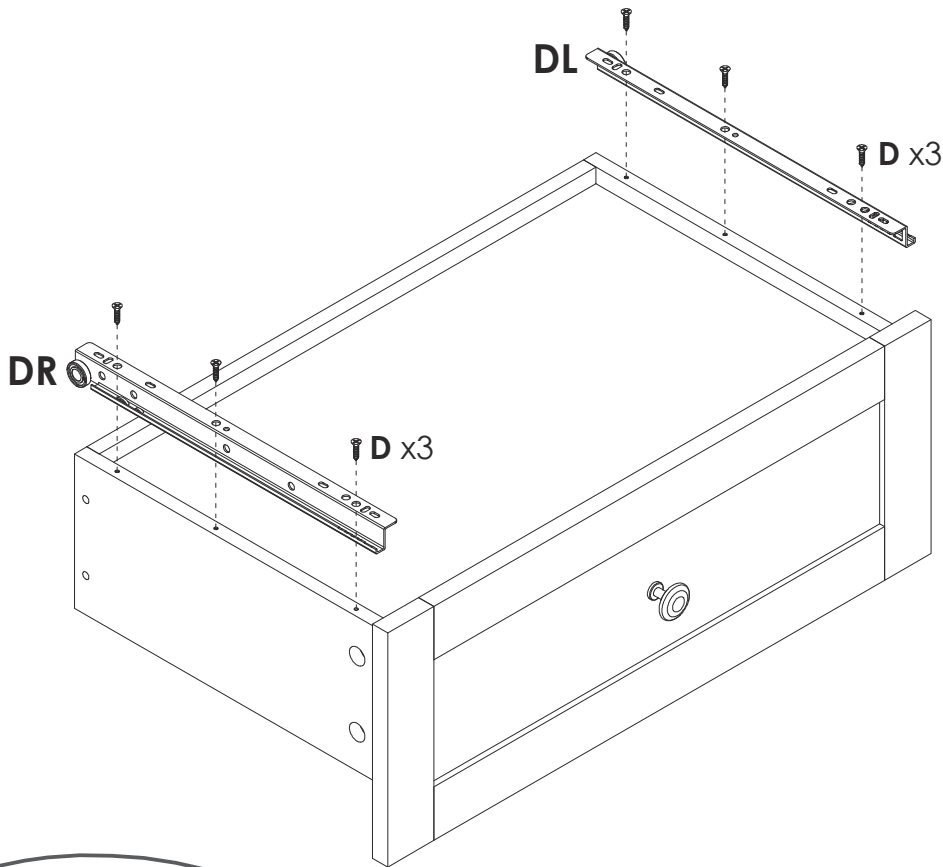
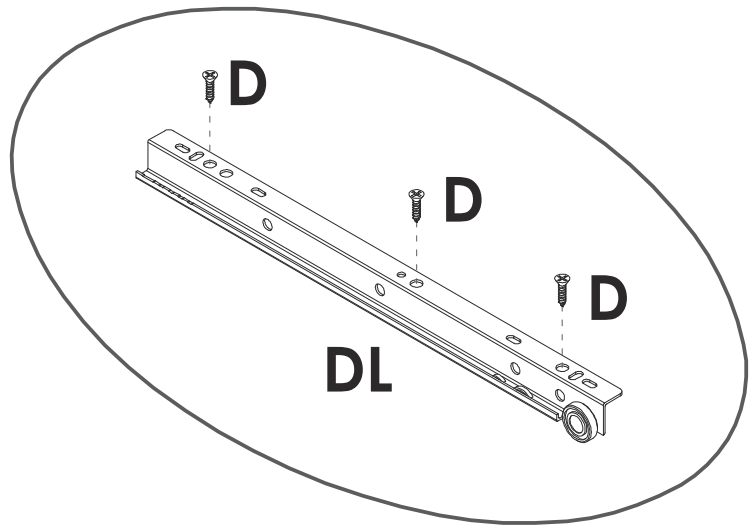
19

YOU WILL NEED

A x36

DL x6

DR x6

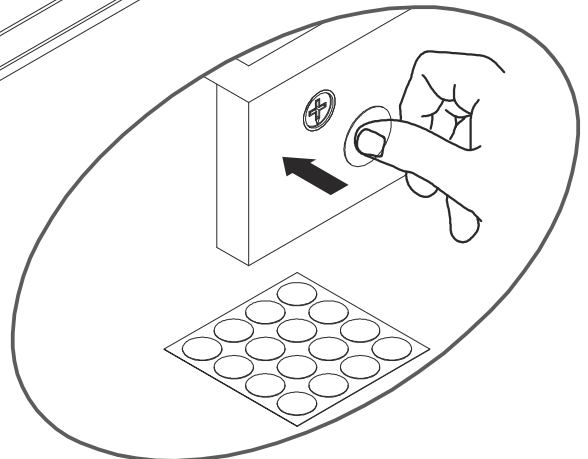
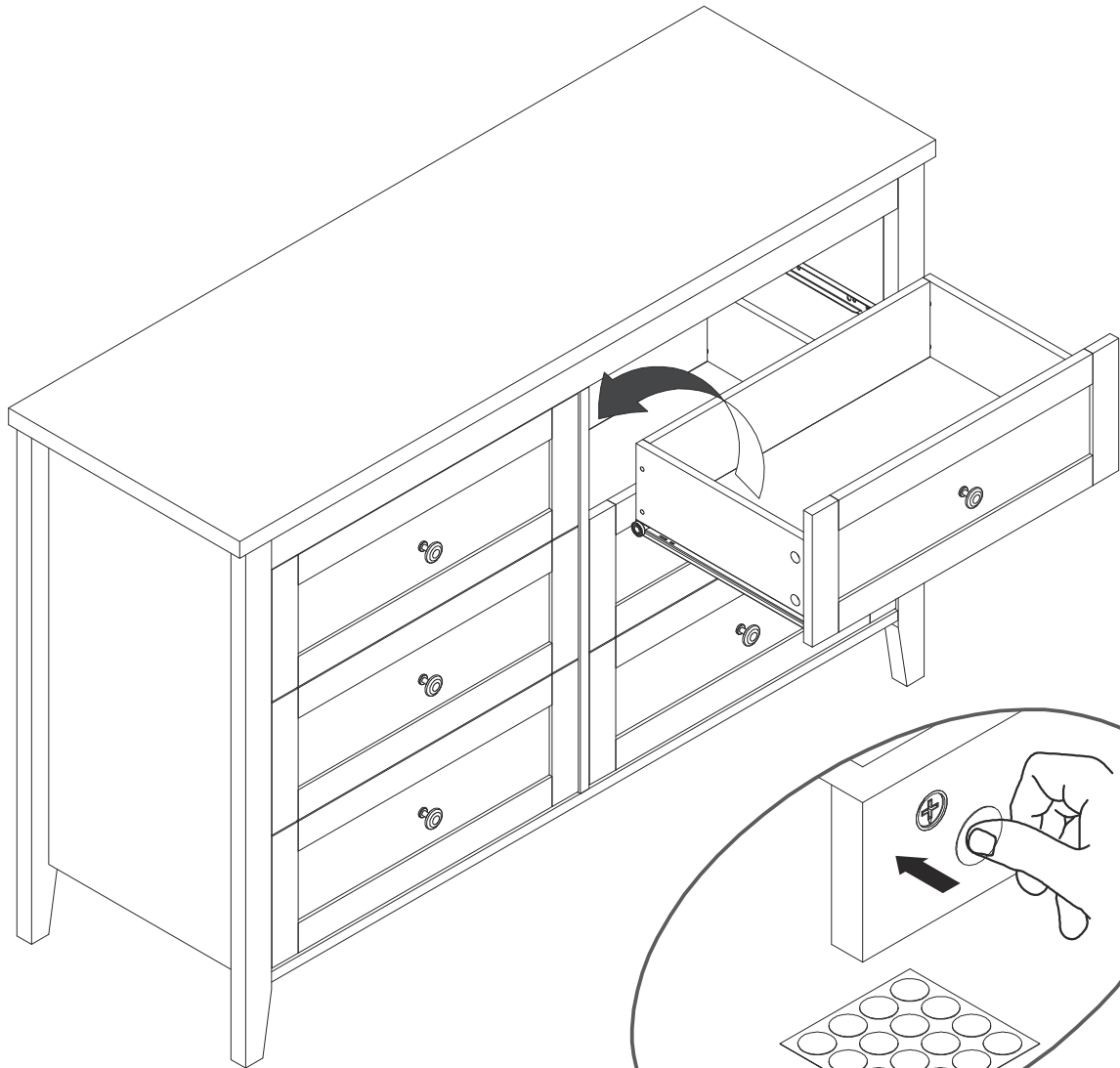
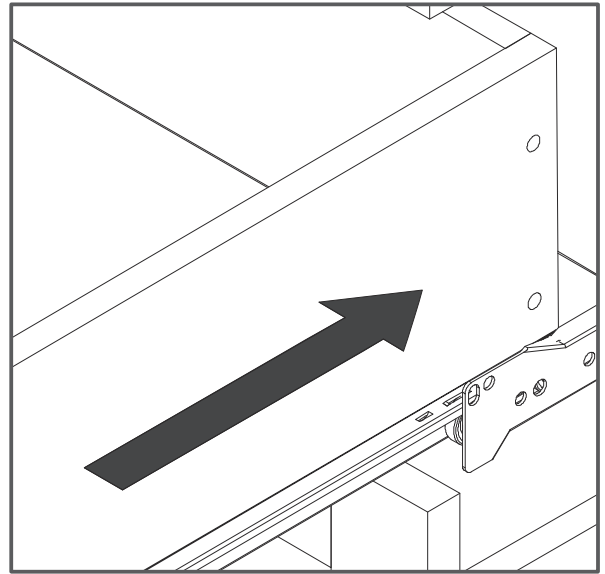
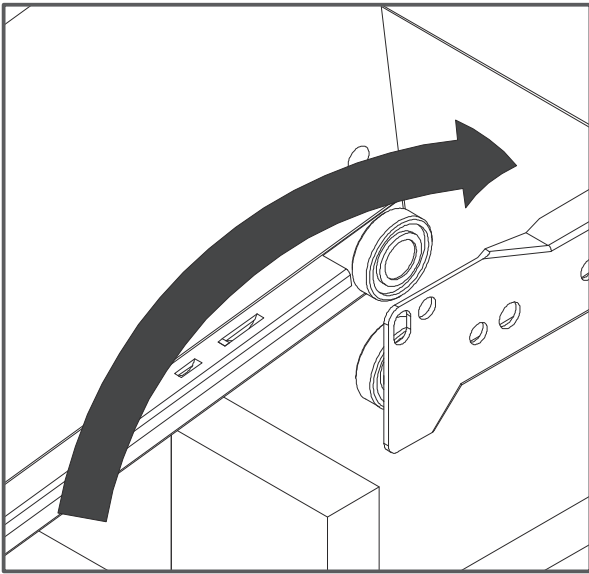


x6

20

YOU WILL NEED

Lx24



21

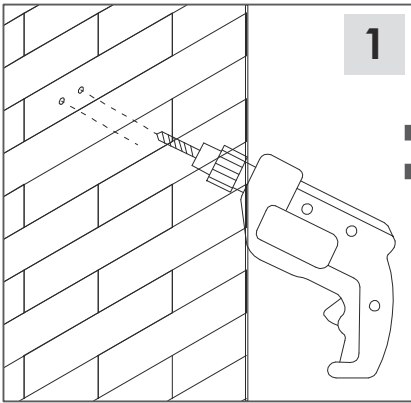
YOU WILL NEED

H x4

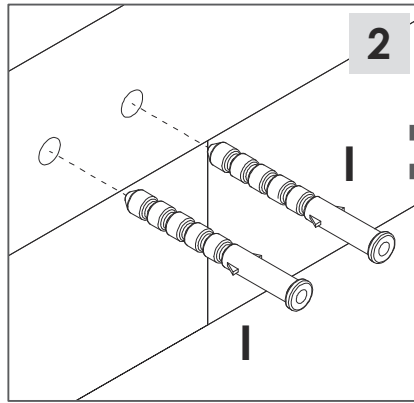
I x4

J x2

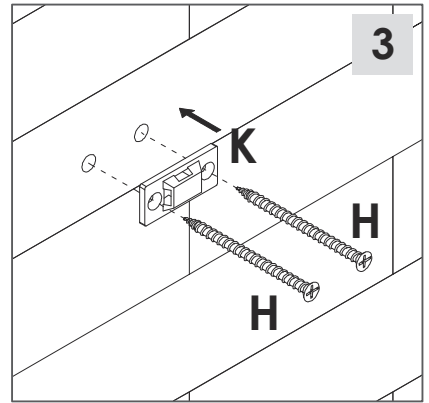
K x2



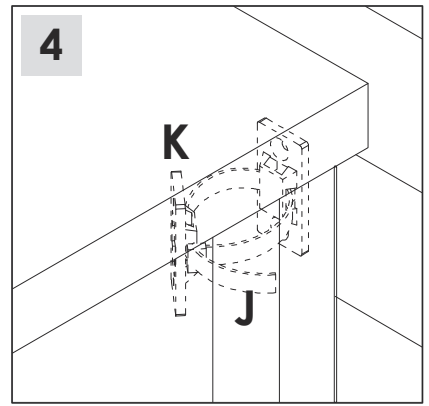
1



2



3



4

