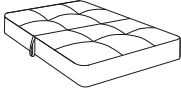
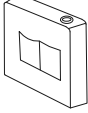
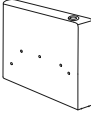
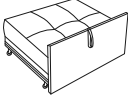
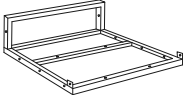
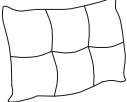


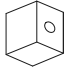







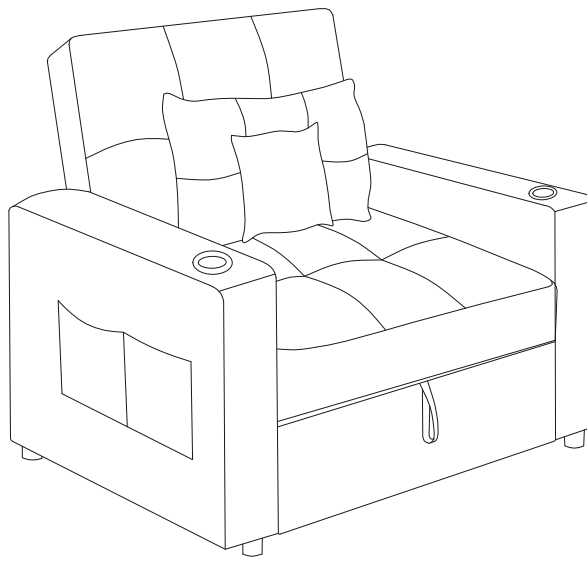
ASSEMBLY INSTRUCTIONS

SOFA SLEEPER

Avoid using sharp objects such as a knife to cut open packing as you may accidentally damage the upholstery.

PARTS LIST

ITEM	DESCRIPTION	SKETCH	QUANTITY
A	Chair Cushion		1 PC
B	Left Armrest		1 PC
C	Right Armrest		1 PC
D	Chair Cushion		1 PC
E	Iron Shelf		1 PC
F	Back Cushion		1 PC
G	Pillow		1 PC
HW1	Legs Ø 60 x 50mm		4 PCS
HW2	Iron Sheets		2 PCS
HW3	Bolts 8 x 19 x 1mm		14 PCS
HW4	Bolts 6 x 16 x 1mm		2 PCS
HW5	Washers 5/16 x 50mm		14 PCS
HW6	Washers 5/16 x 15mm		2 PCS
HW7	Hex Wrench M4 x 60mm		1 PC

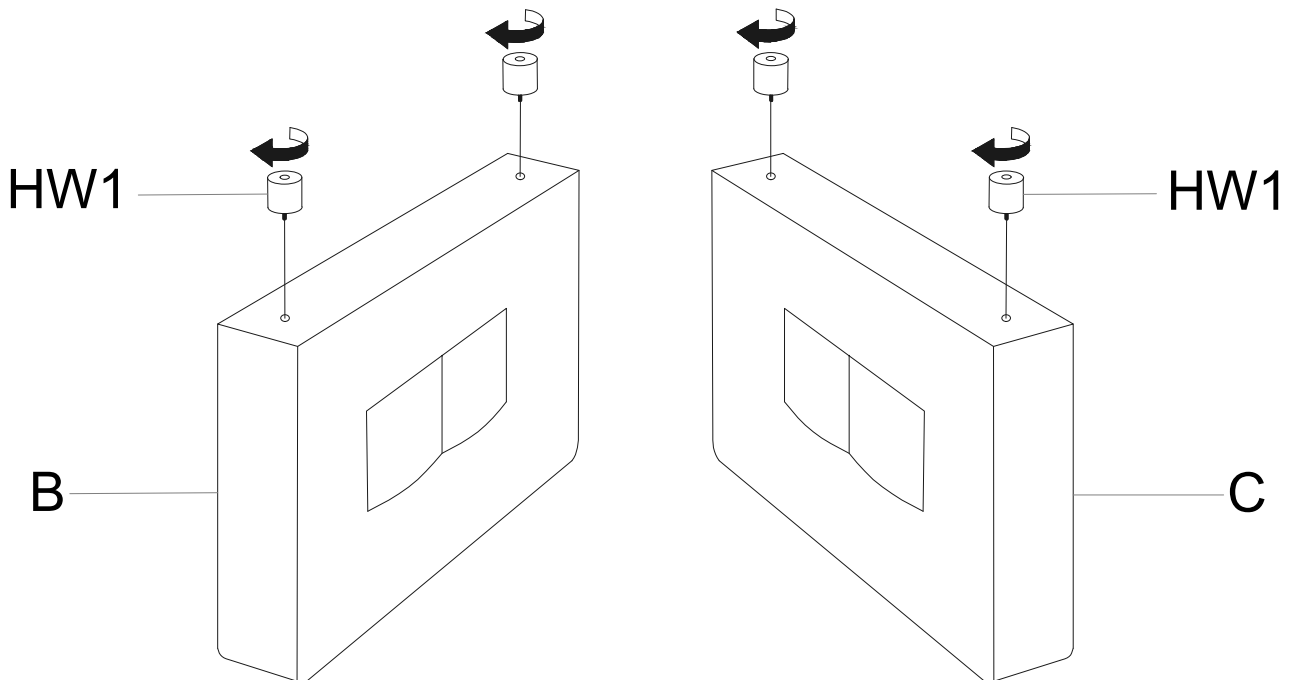


ASSEMBLY INSTRUCTIONS

Do not fully tighten bolts until assembly is complete.

Step 1

Assemble the Legs (HW1) to Left Armrest (B) and Right Armrest (C).

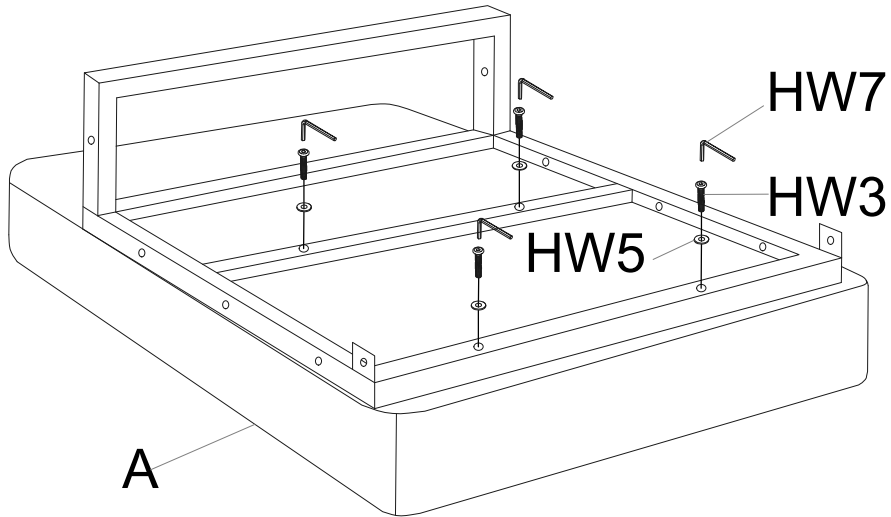


ASSEMBLY INSTRUCTIONS

Do not fully tighten bolts until assembly is complete.

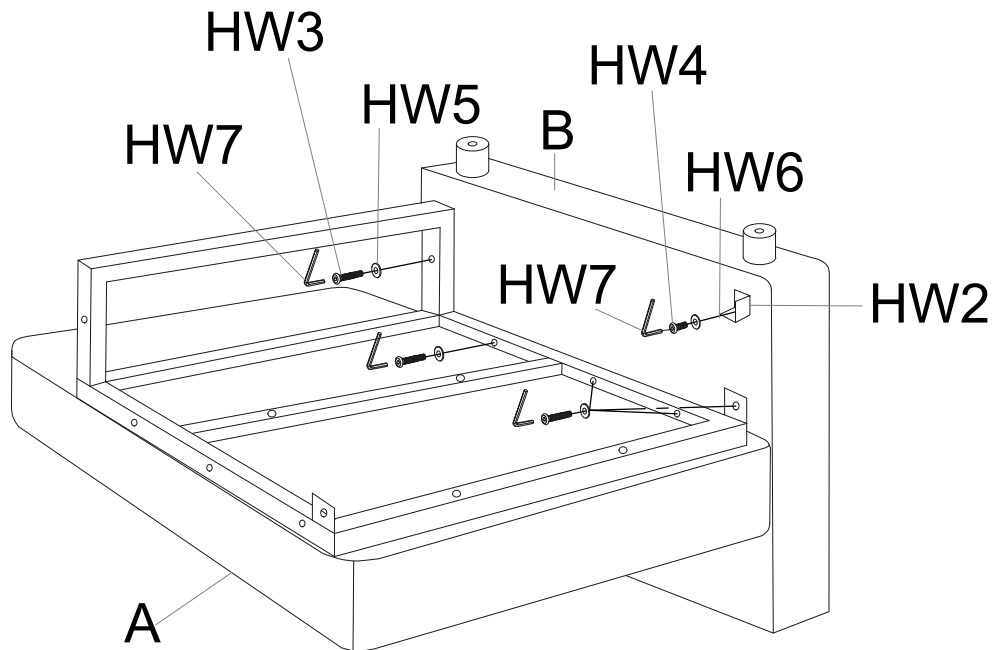
Step 2

Assemble the Iron Shelf (E) to the chair cushion(A) using Bolts(HW3), Washers (HW5) and Hex Wrench(HW7)



Step 3

Attach the Iron Shelf(E) to Left Armrest (B) using Bolts (HW3), Washers(HW5) and Hex Wrench(HW7).
Then attach the Iron Sheets(HW2) to Left Armrest(B) using Bolts(HW4), Washers(HW6) and Hex Wrench(HW7).

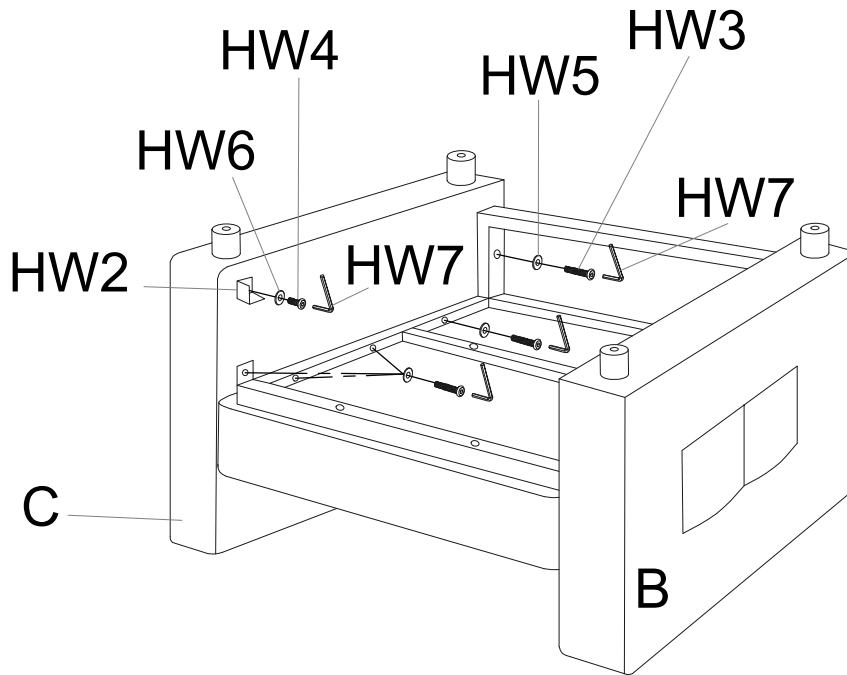


ASSEMBLY INSTRUCTIONS

Do not fully tighten bolts until assembly is complete.

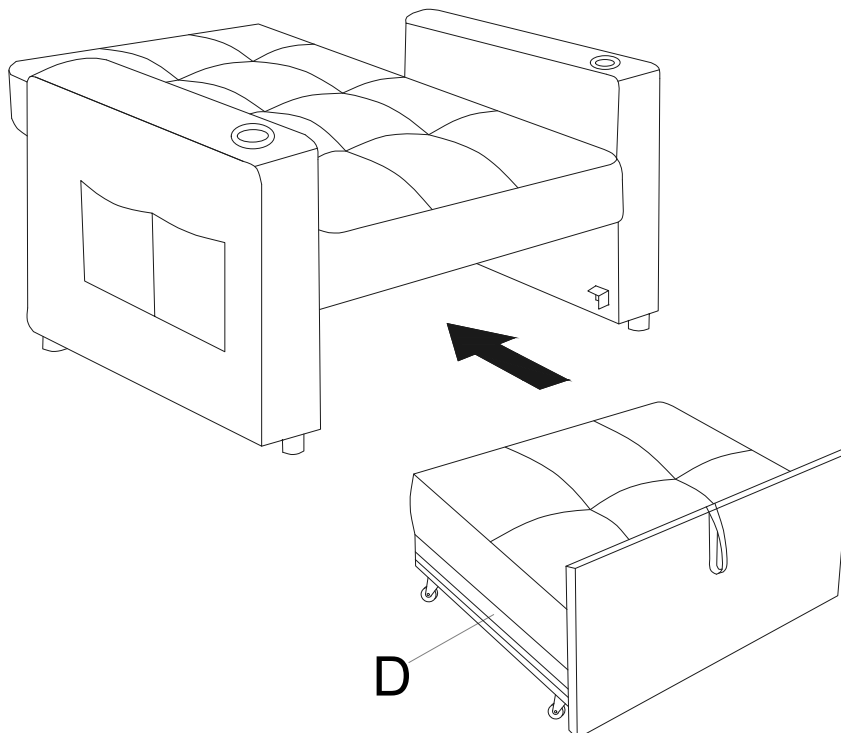
Step 4

Attach the Iron Shelf(E) to Right Armrest (C) using Bolts (HW3), Washers(HW5) and Hex Wrench(HW7). Then attach the Iron Sheets(HW2) to Right Armrest (C) using Bolts(HW4), Washers(HW6) and Hex Wrench(HW7)



Step 5

After finish step 4, pull Chair Cushion(D) to Chair Cushion (A) to complete assembled.

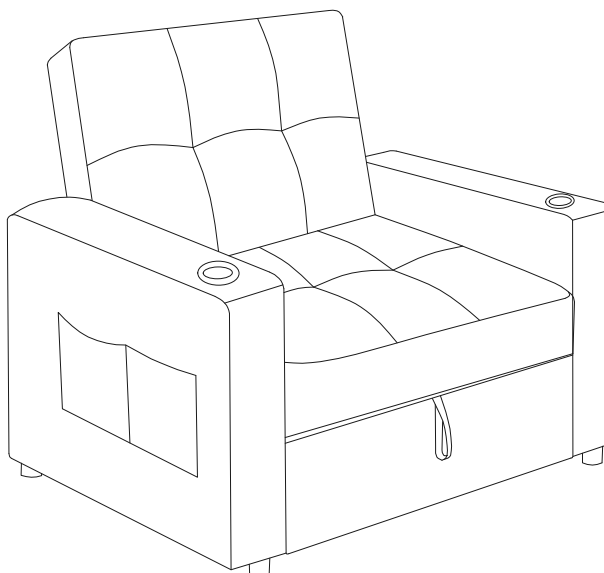


ASSEMBLY INSTRUCTIONS

Do not fully tighten bolts until assembly is complete.

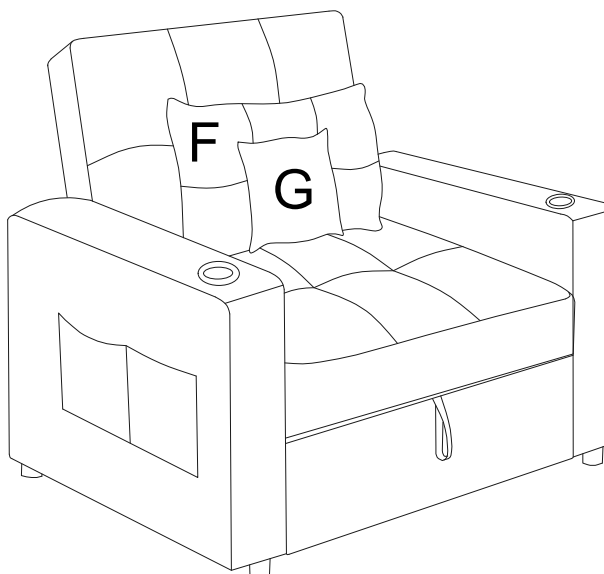
Step 6

Completed assembly



Step 7

Put Back Cushion(F) and Pillow(G) on Sofa bed.

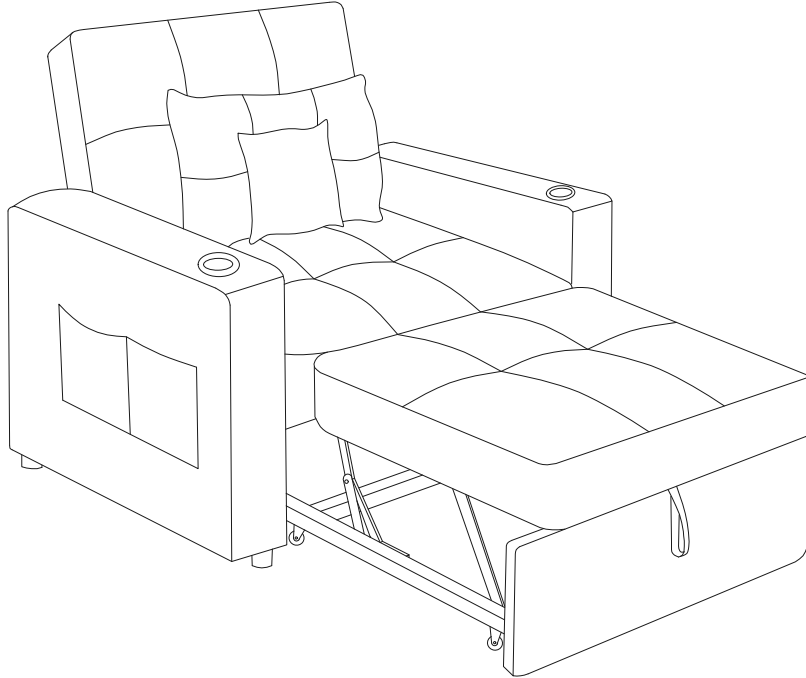


ASSEMBLY INSTRUCTIONS

Do not fully tighten bolts until assembly is complete.

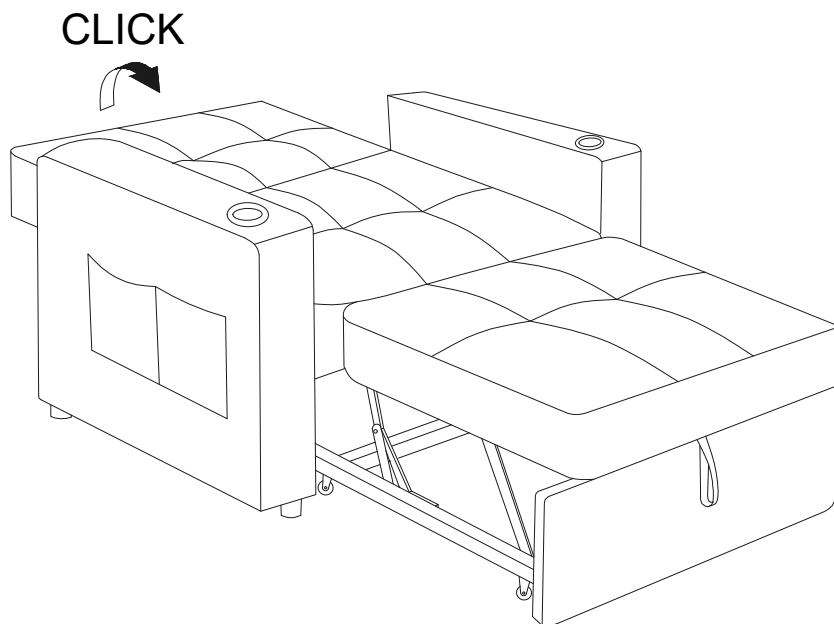
Step 8

The Chair Cushion(D) can be pull out to make it longer



Step 9

The Chair Cushion(A) can be adjusted by Click.



CLEANING INSTRUCTIONS: Clean with a Soft cloth, brush, or lightly vacuum

ADULT ASSEMBLY REQUIRED

If you are missing any parts or have any questions regarding assembly, do not return this item to the retailers store. Please call our toll-free, customer service number and have this assembly manual open to the parts list ready to provide the model name, number and part name or number.



WARNING: This product may contain small components, please ensure they are kept away from small children.