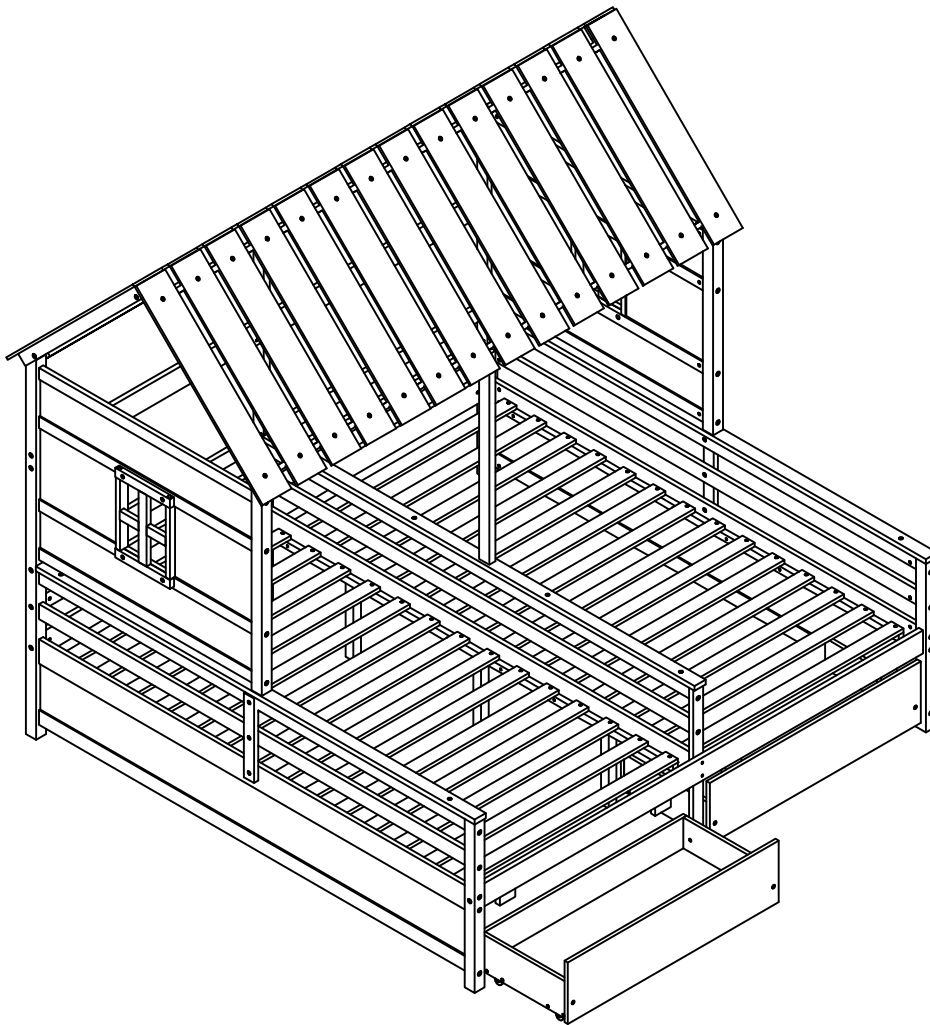
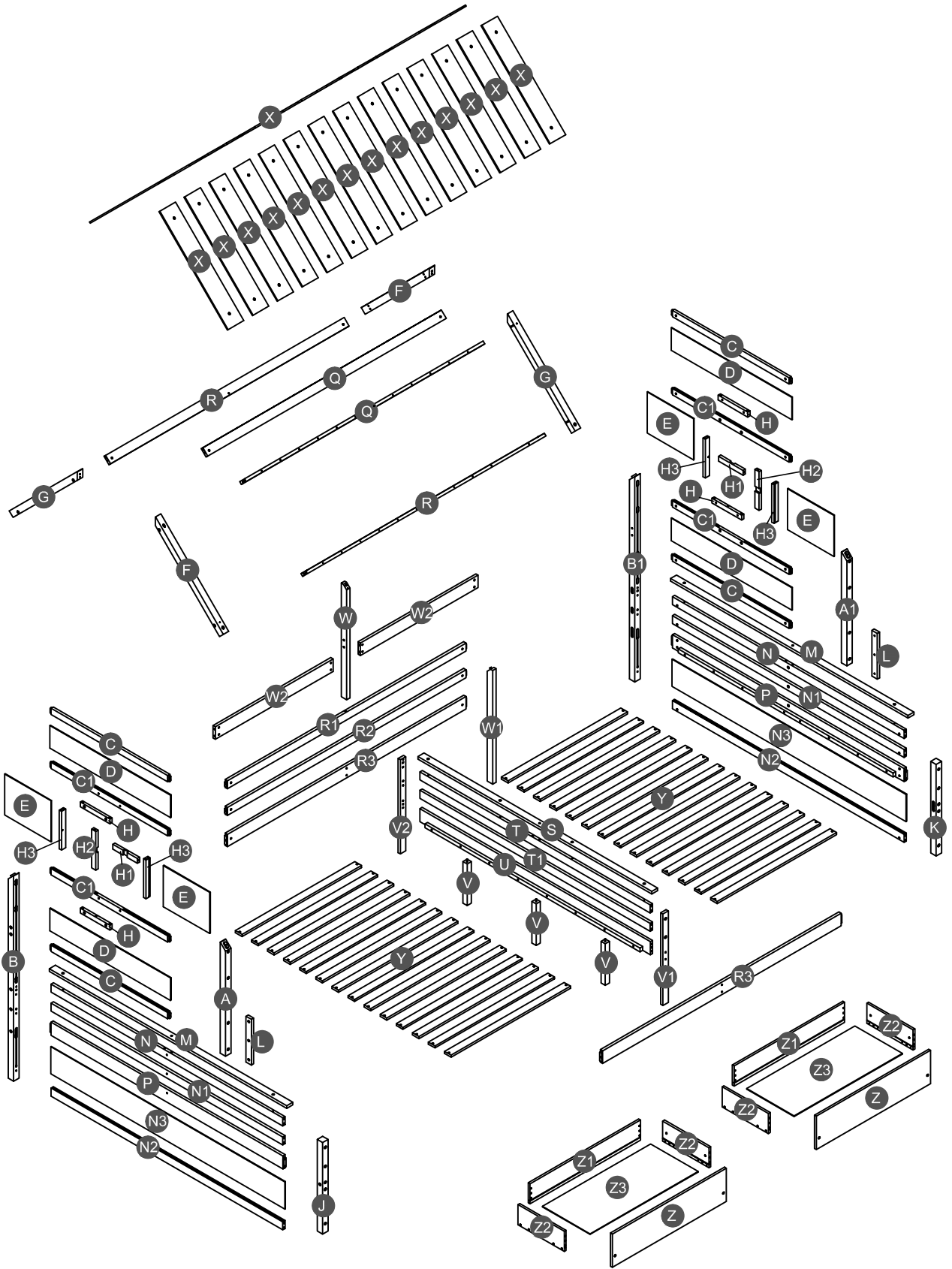


ASSEMBLY INSTRUCTIONS






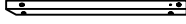
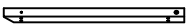
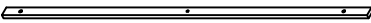





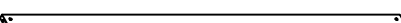


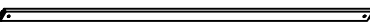
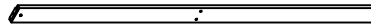






2 TWIN HOUSE BEDS WITH 2 DRAWERS



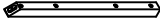

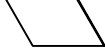
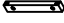




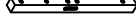

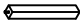


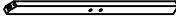




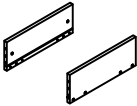

Detail View

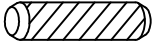
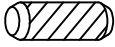
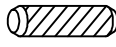

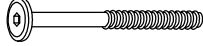
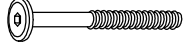









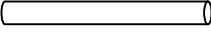
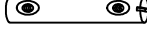
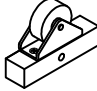
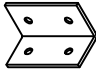



Part List

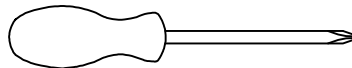
<p>B</p>  <p>Leg (Left Back) - 1pc</p>	<p>B1</p>  <p>Leg (Right Back) - 1pc</p>	<p>C</p>  <p>Horizontal bar - 4pcs</p>
<p>C1</p>  <p>Horizontal bar - 4pcs</p>	<p>D</p>  <p>Side panel - 4pcs</p>	<p>F</p>  <p>Upper (Left Front/Right Back) - 2pcs</p>
<p>G</p>  <p>Upper (Left Back/Right Front) - 2pcs</p>	<p>M</p>  <p>Cap for upper - 2pcs</p>	<p>N</p>  <p>Upper horizontal bar - 2pcs</p>
<p>N1</p>  <p>Divider horizontal bar - 2pcs</p>	<p>N2</p>  <p>Lower horizontal bar - 2pcs</p>	<p>N3</p>  <p>Lower side panel - 2pcs</p>
<p>P</p>  <p>Side rail (Front/Right) - 2pcs</p>	<p>Q</p>  <p>Upper horizontal bar - 2pcs</p>	<p>R</p>  <p>Upper horizontal bar (Front/Back) - 2pcs</p>
<p>R1</p>  <p>Upper horizontal bar (Back) - 1pc</p>	<p>R2</p>  <p>Divider horizontal bar (Back) - 1pc</p>	<p>R3</p>  <p>Horizontal bar (Front/Back) - 2pcs</p>
<p>S</p>  <p>Divider Cap for upper - 1pc</p>	<p>T</p>  <p>Upper horizontal bar - 1pc</p>	<p>T1</p>  <p>Divider horizontal bar - 1pc</p>
<p>U</p>  <p>Divider side rail - 1pc</p>	<p>W2</p>  <p>Upper horizontal bar (Back) - 2pcs</p>	<p>Z</p>  <p>Front drawer panel - 2pcs</p>

Part List

<p>A</p>  <p>Upper leg (Left Front) - 1pc</p>	<p>A1</p>  <p>Upper leg (Right Front) - 1pc</p>	<p>E</p>  <p>Side panel - 4pcs</p>
<p>H</p>  <p>Horizontal bar - 4pcs</p>	<p>H1</p>  <p>Horizontal bar - 2pcs</p>	<p>H2</p>  <p>Vertical bar - 2pcs</p>
<p>H3</p>  <p>Vertical bar - 4pcs</p>	<p>J</p>  <p>Lower leg (Left Front) - 1pc</p>	<p>K</p>  <p>Lower leg (Right Front) - 1pc</p>
<p>L</p>  <p>Vertical guard rail - 2pcs</p>	<p>V</p>  <p>Leg support - 3pcs</p>	<p>V1</p>  <p>Divider leg (Front) - 1pc</p>
<p>V2</p>  <p>Divider leg (Back) - 1pc</p>	<p>W</p>  <p>Vertical bar (Back) - 1pc</p>	<p>W1</p>  <p>Vertical bar (Front) - 1pc</p>
<p>X</p>  <p>Top panel - 28pcs</p>	<p>Y</p>  <p>Slat - 28pcs</p>	<p>Z1</p>  <p>Back drawer panel - 2pcs</p>
<p>Z2</p>  <p>Left / right drawer panel - 4pcs</p>	<p>Z3</p>  <p>Drawer bottom - 2pcs</p>	

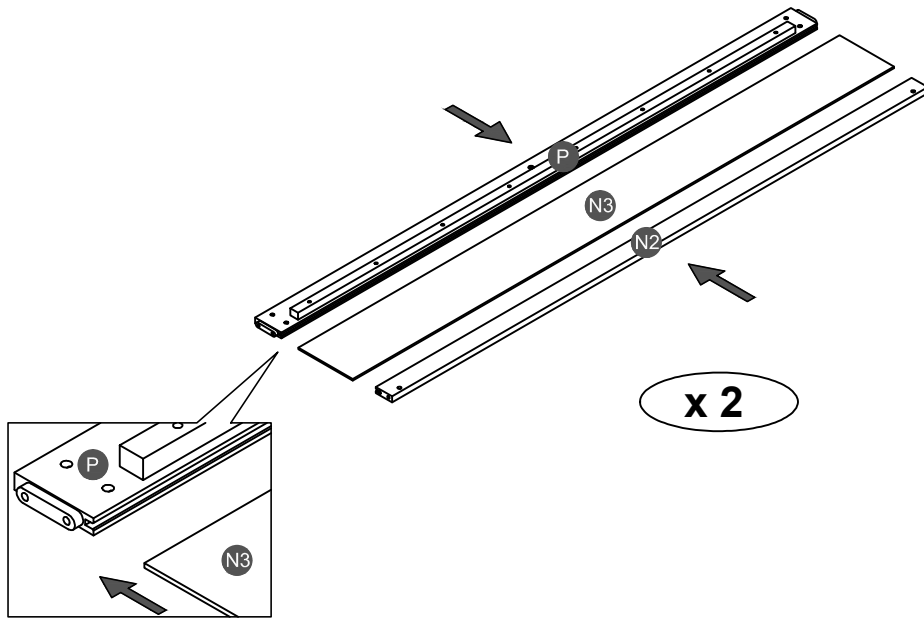
1	 Ø10*40mm Wood dowel (16pcs)	2	 Ø10*20mm Wood dowel (8pcs)	3	 Ø8*30mm Wood dowel (47pcs)
4	 (Ø15)1/4"*100mm Hex-Head bolts (24pcs)	5	 (Ø15)1/4"*80mm Hex-Head bolts (40pcs)	6	 (Ø12)1/4"*60mm Hex-Head bolts (8pcs)
7	 (Ø12)1/4"*30mm Hex-Head bolts (14pcs)	8	 (Ø12)1/4"*15mm Hex-Head bolts (4pcs)	9	 1/4"*15 (9.5mm) Horizontal-Hole bolts(72pcs)
10	 (Ø12)1/4"*65mm Hex-Head bolts (6pcs)	11	 (Ø12)1/4"*40mm Hex-Head bolts (18pcs)	12	 (Ø12)1/4"*30mm Hex-Head bolts (56pcs)
13	 Ø4*30mm Wood screws (80pcs)	14	 Ø3.5*15mm Wood screws (8pcs)	15	 (1/4")4.5*58mm Allen key (1pc)
16	 Ø9*90mm Connecting bar (4pcs)	17	 (Ø10)1/4*76mm Connecting bar (2pcs)	18	 100*54*20 mm Wheels (8pcs)
19	 40*18*18*1.6mm Metal bracket (2pcs)	20	 70*70*19 mm Drawer stopper (4pcs)		

ASSEMBLY TOOLS REQUIRED (NOT INCLUDED)

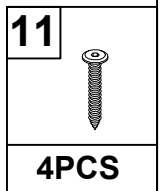
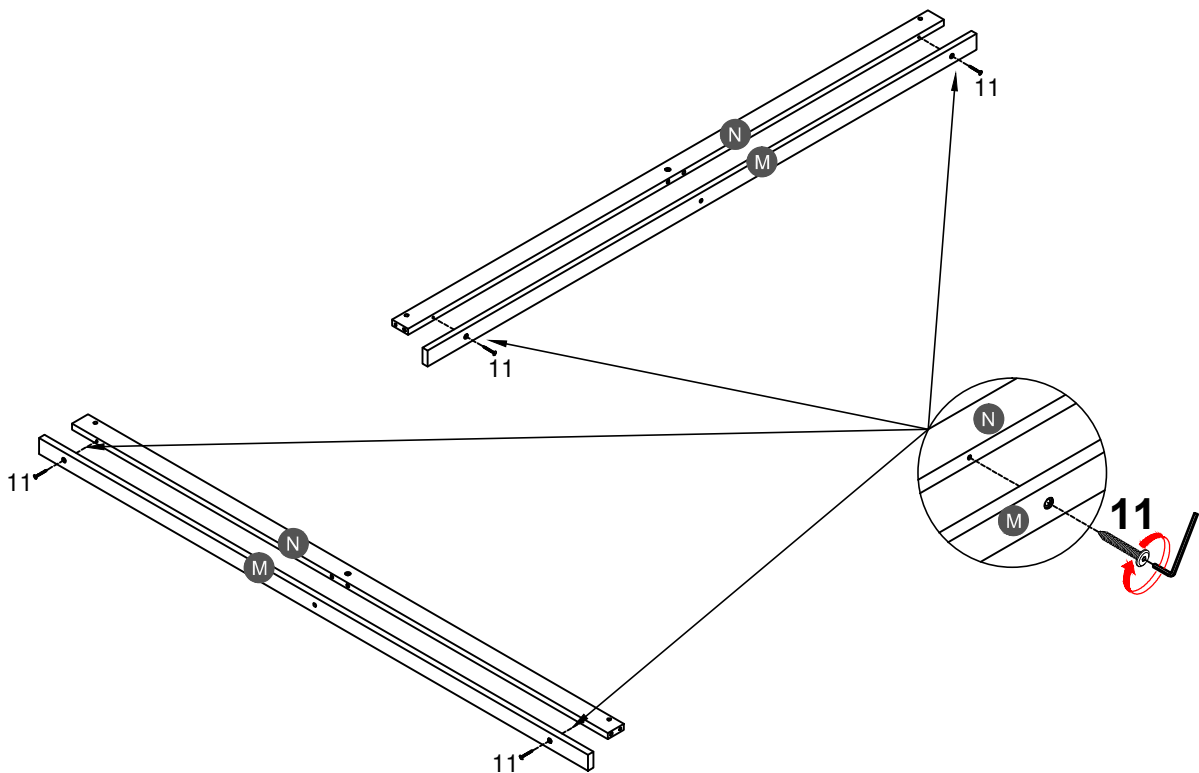


PLEASE BE CAREFUL DO NOT DAMAGE THE HOLE POSITION WHEN YOU USE POWER TOOLS !

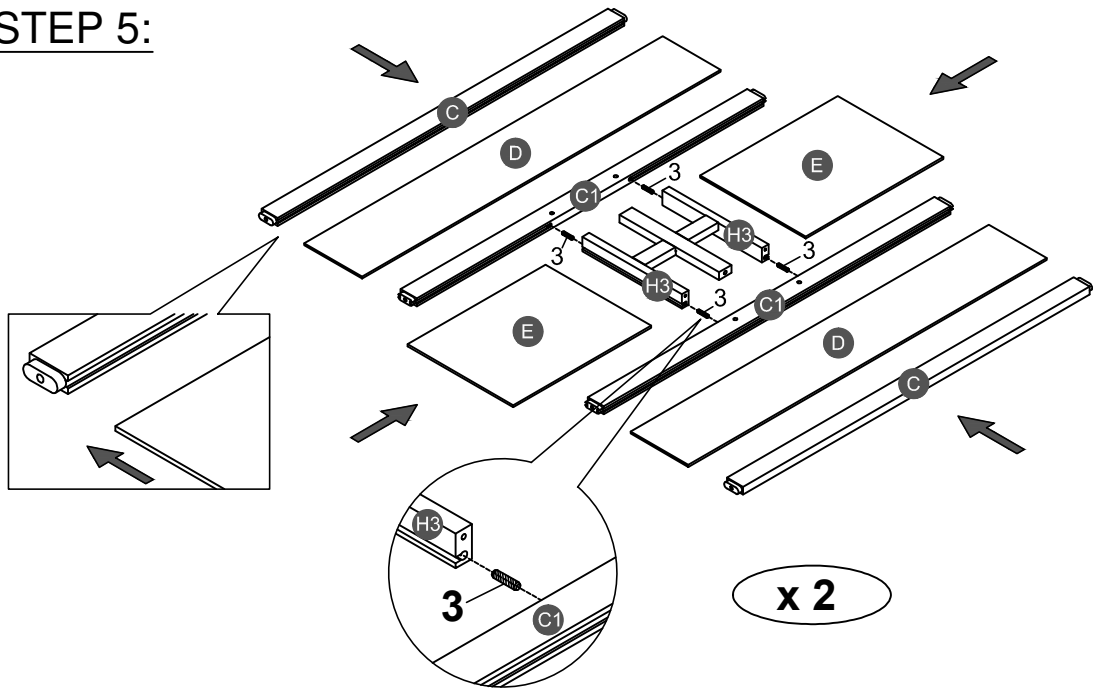
STEP 1:




STEP 2:

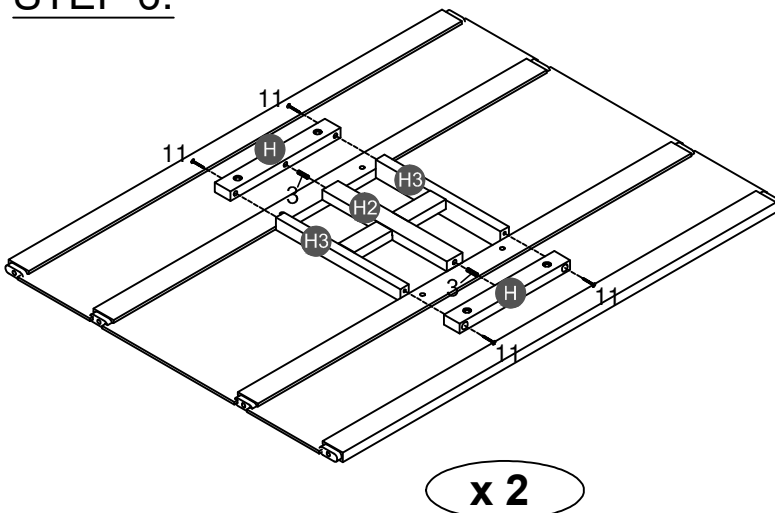




STEP 5:



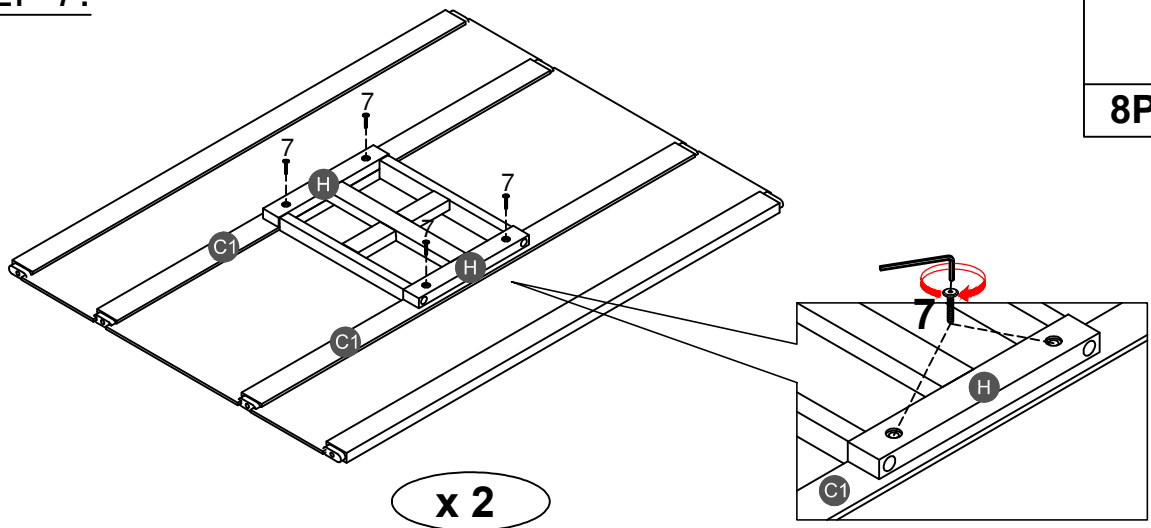
3	
8PCS	


STEP 6:



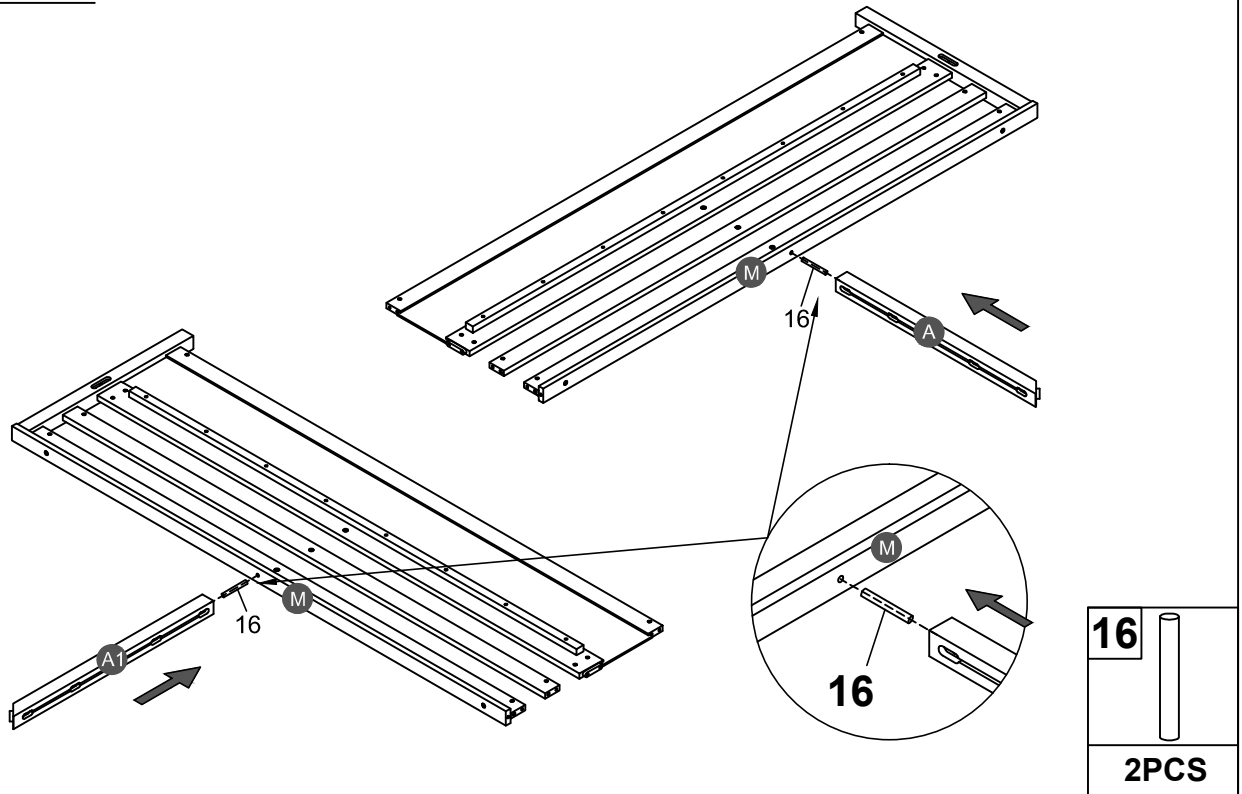
3		11	
4PCS		8PCS	

STEP 7:

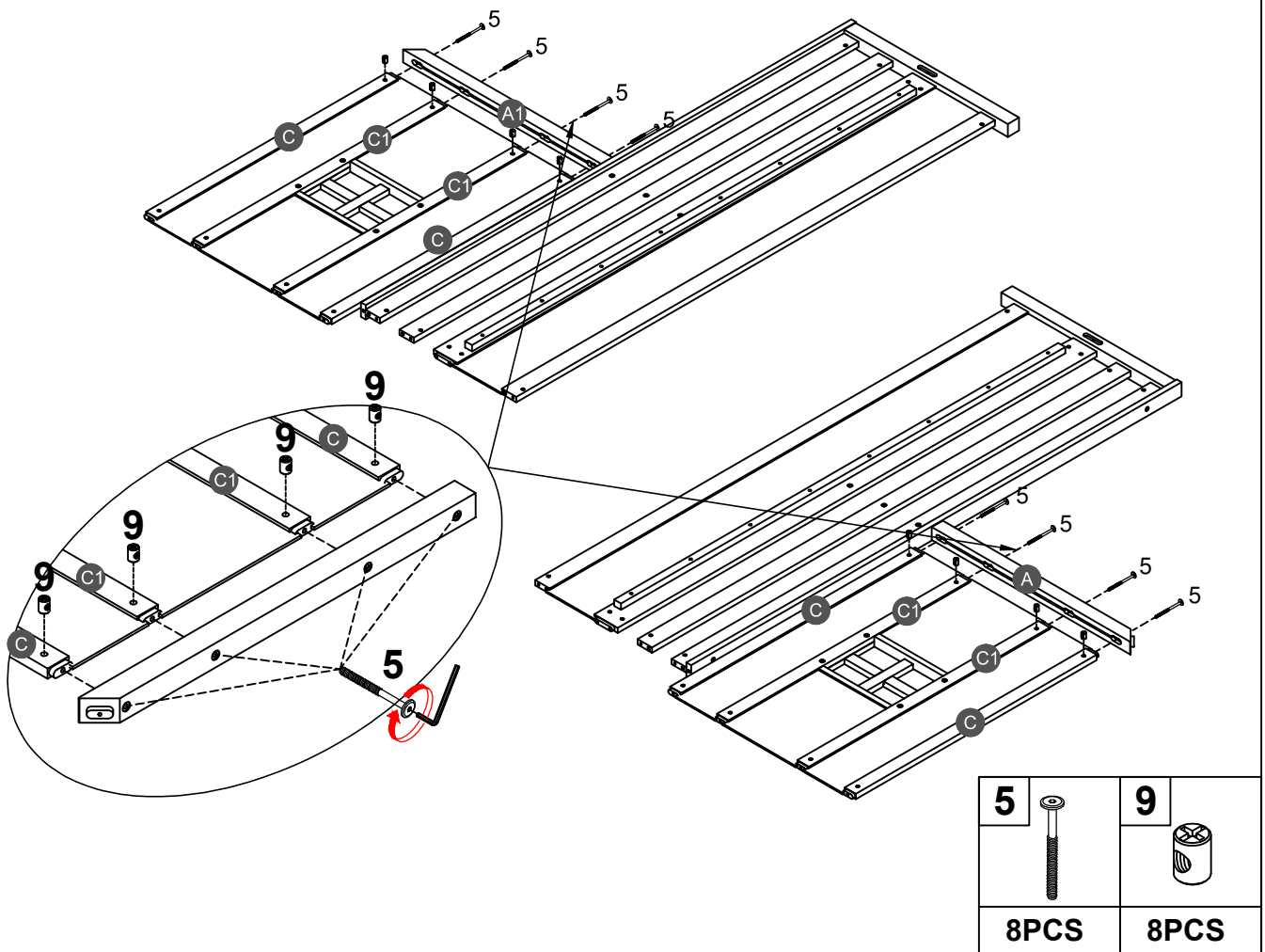


7	
8PCS	






STEP 8:

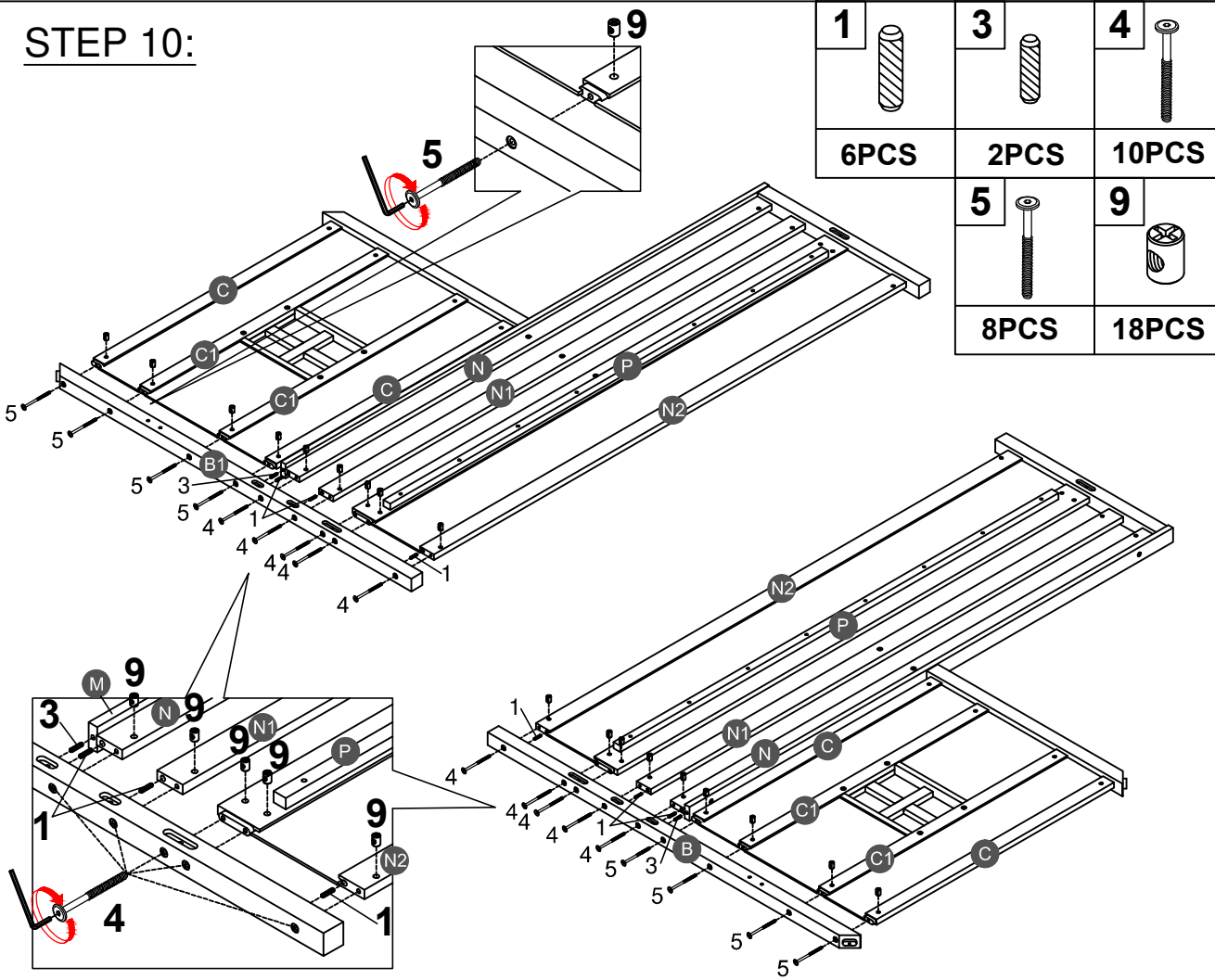


STEP 9:




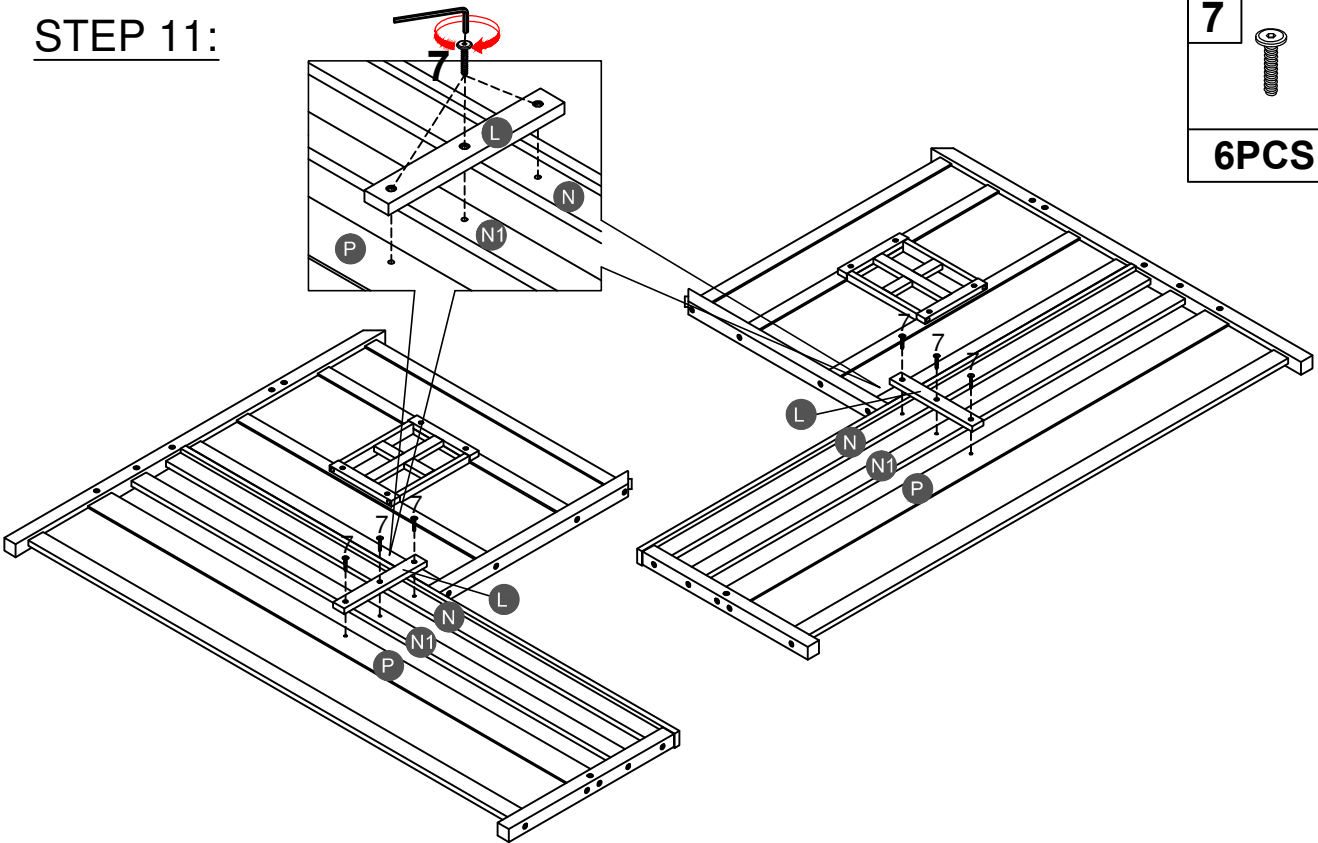
STEP 10:

1 	3 	4 
6PCS	2PCS	10PCS
5 	9 	
8PCS	18PCS	

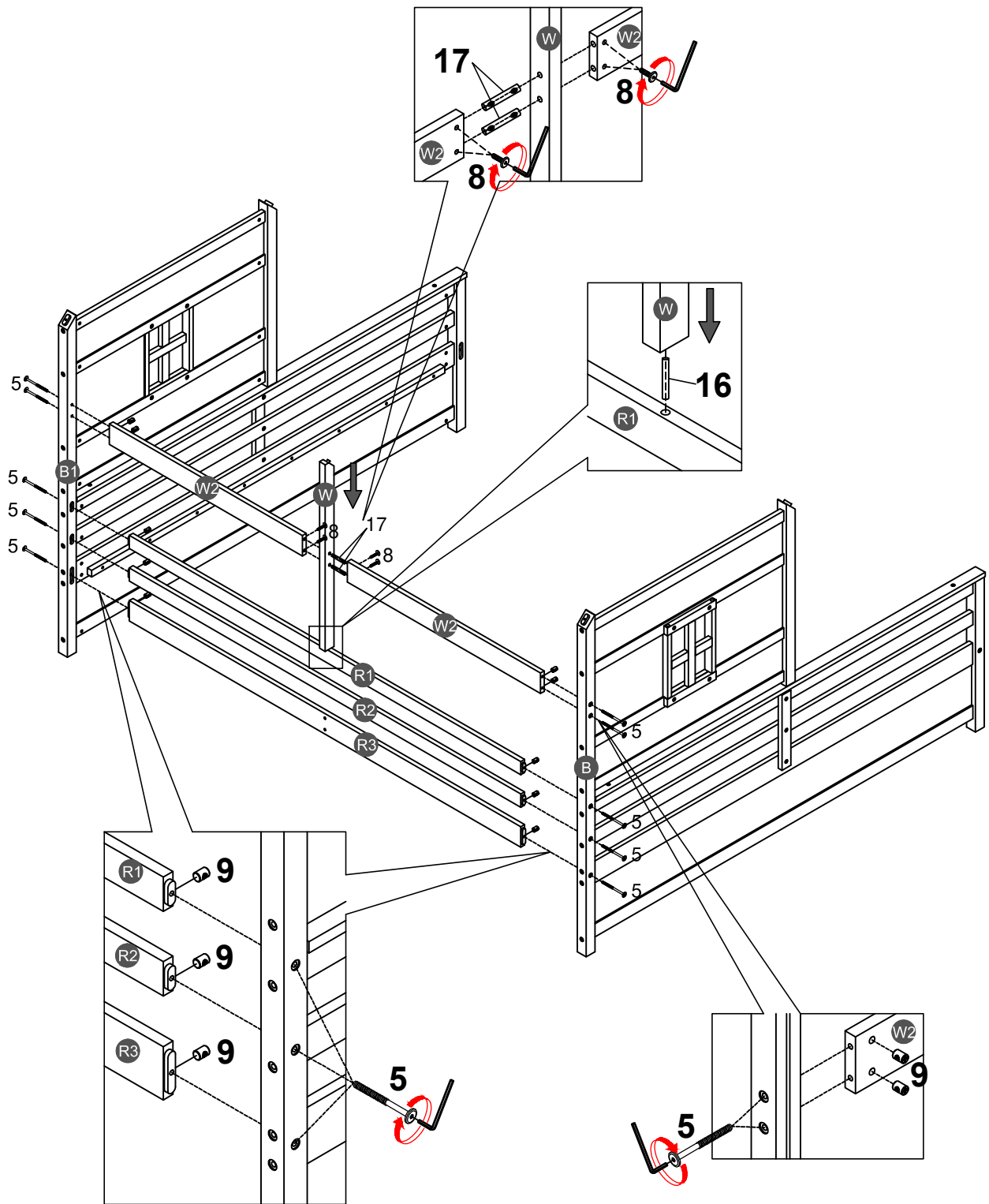






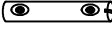
STEP 11:

7 
6PCS







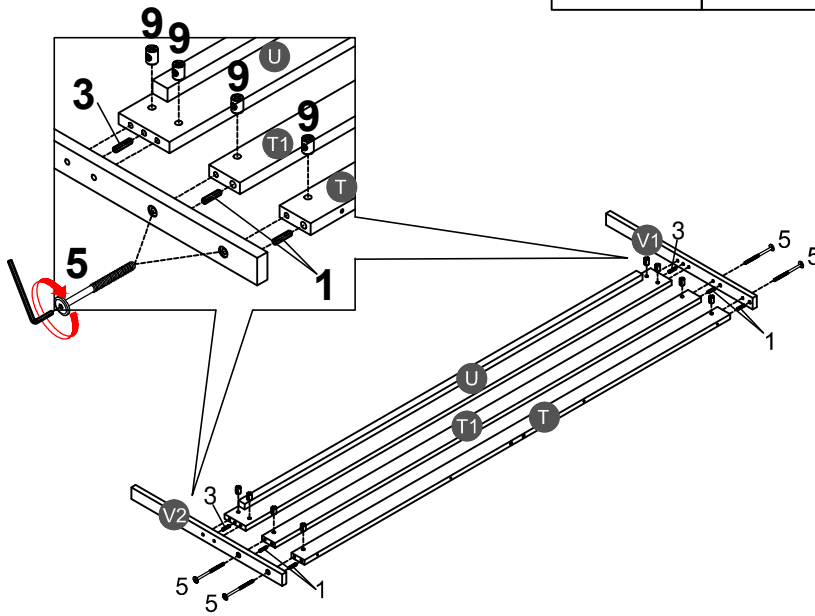
STEP 12:





5		8		9		16		17	
10PCS		4PCS		10PCS		1PC		2PCS	

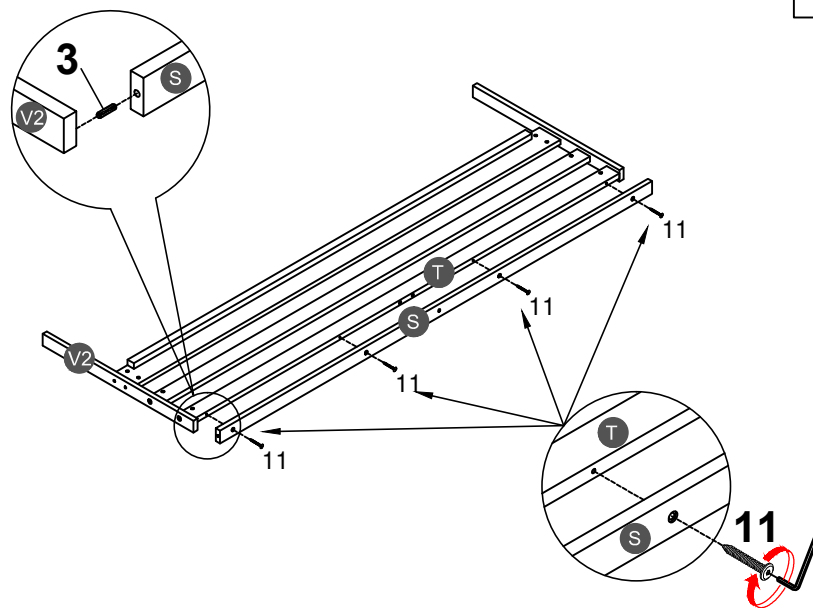
STEP 13:

1		3		5		9	
4PCS		2PCS		4PCS		4PCS	

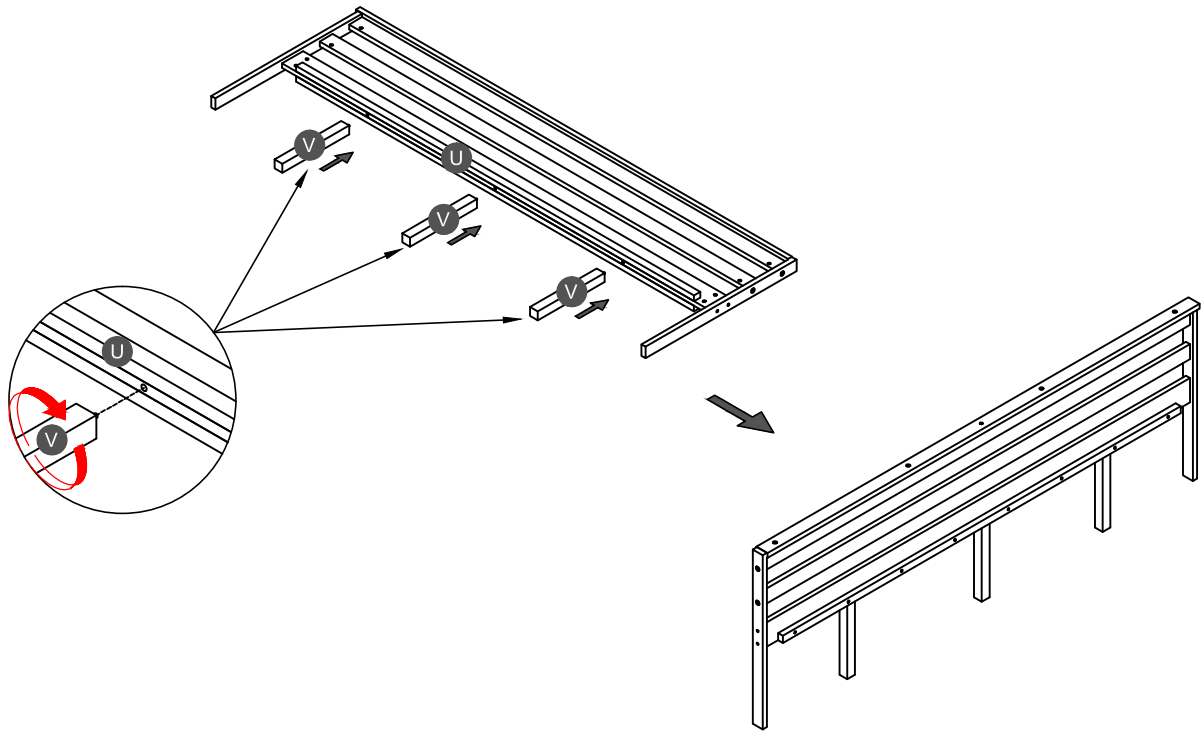


STEP 14:

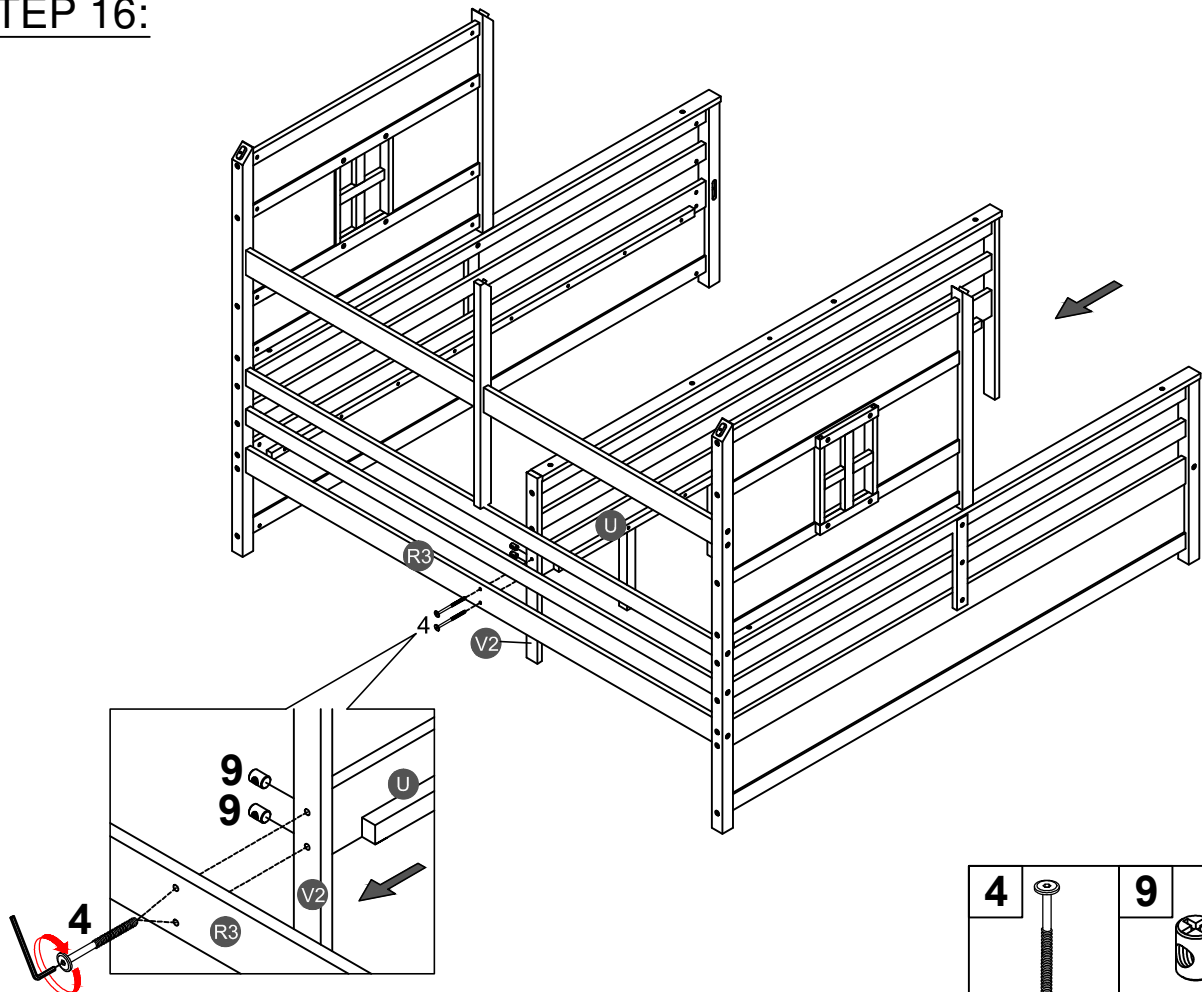
3		11	
1PC		4PCS	





STEP 15:


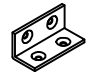


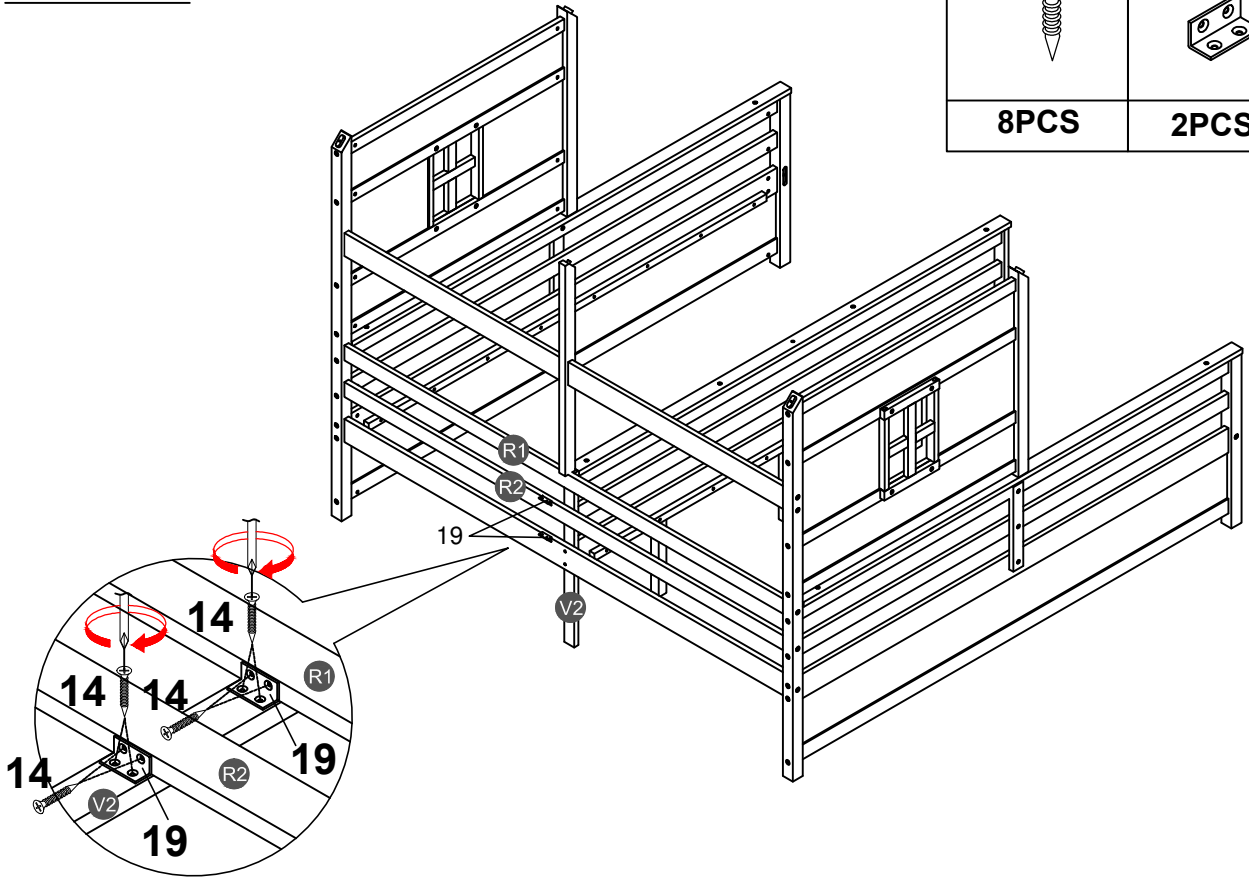
STEP 16:




4		9	
2PCS		2PCS	

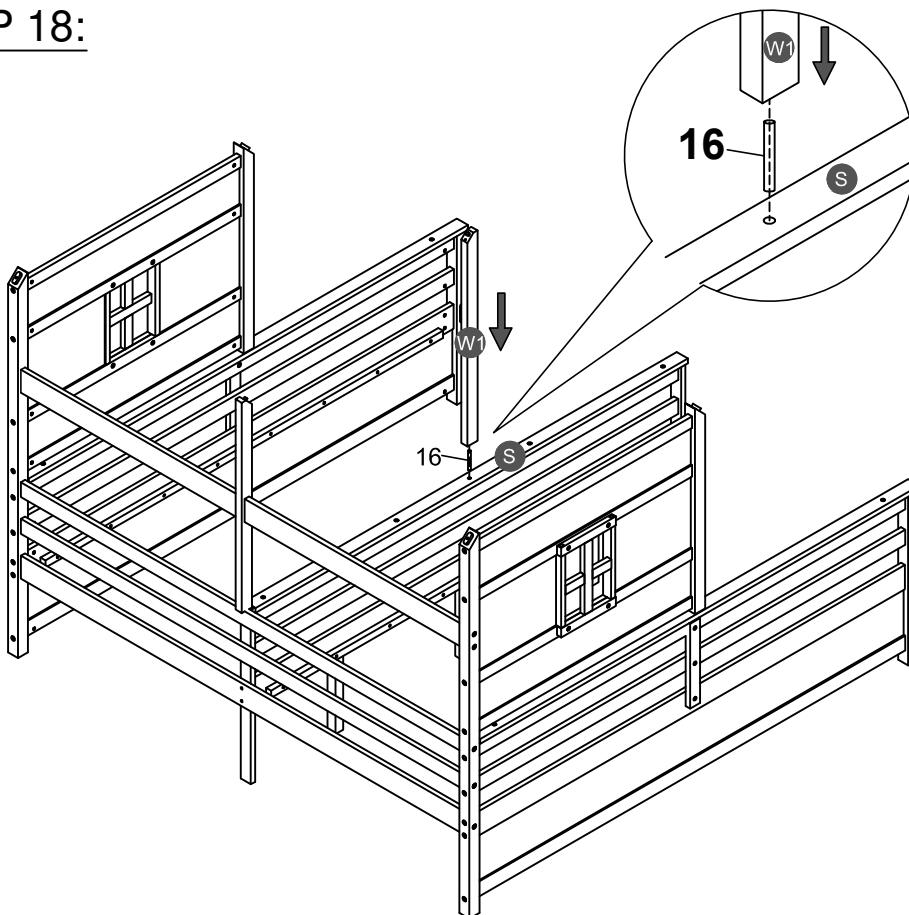
STEP 17:

14 	19 
8PCS	2PCS

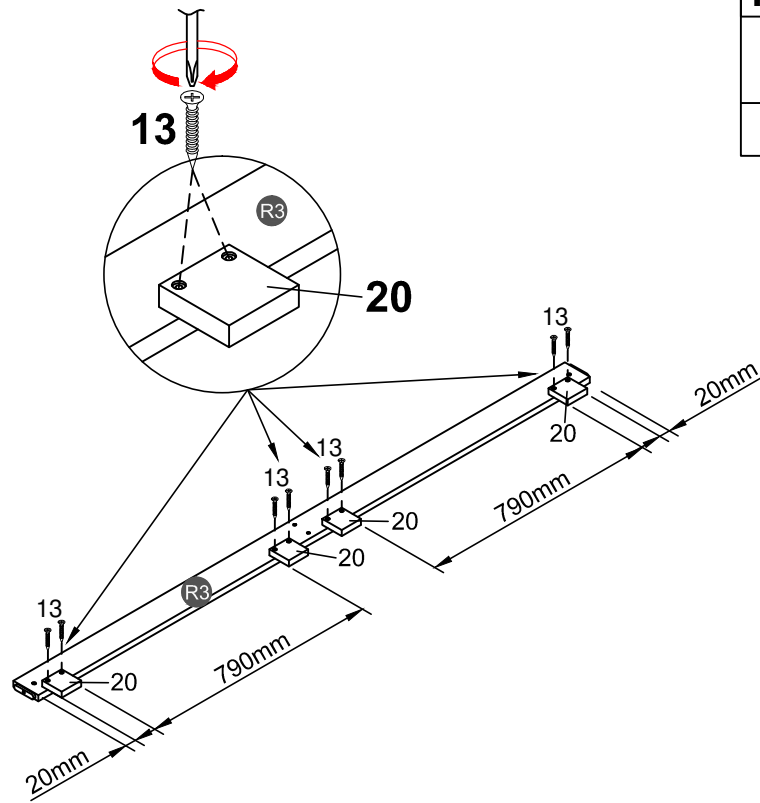



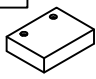
STEP 18:

16 
1PC

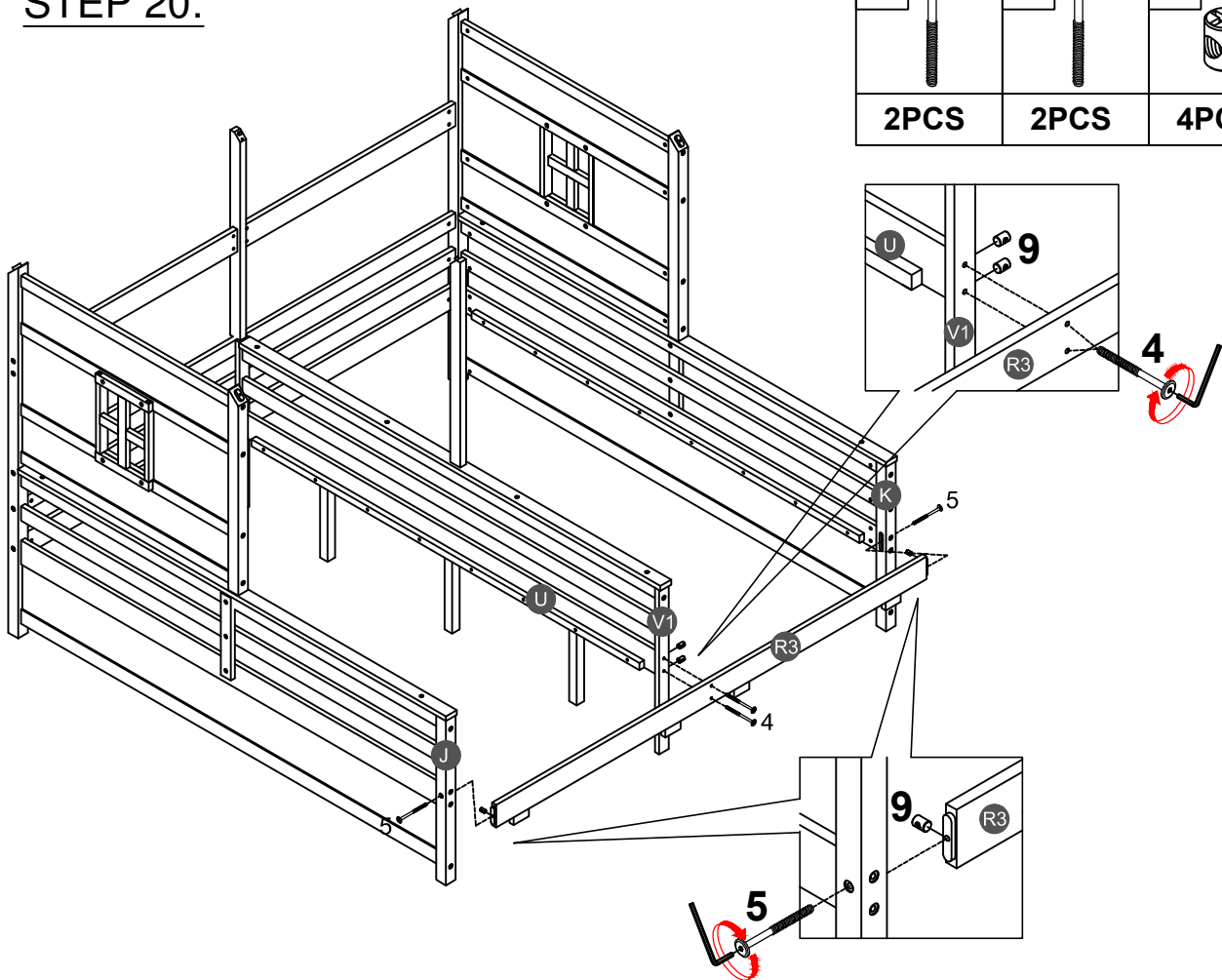





STEP 19:



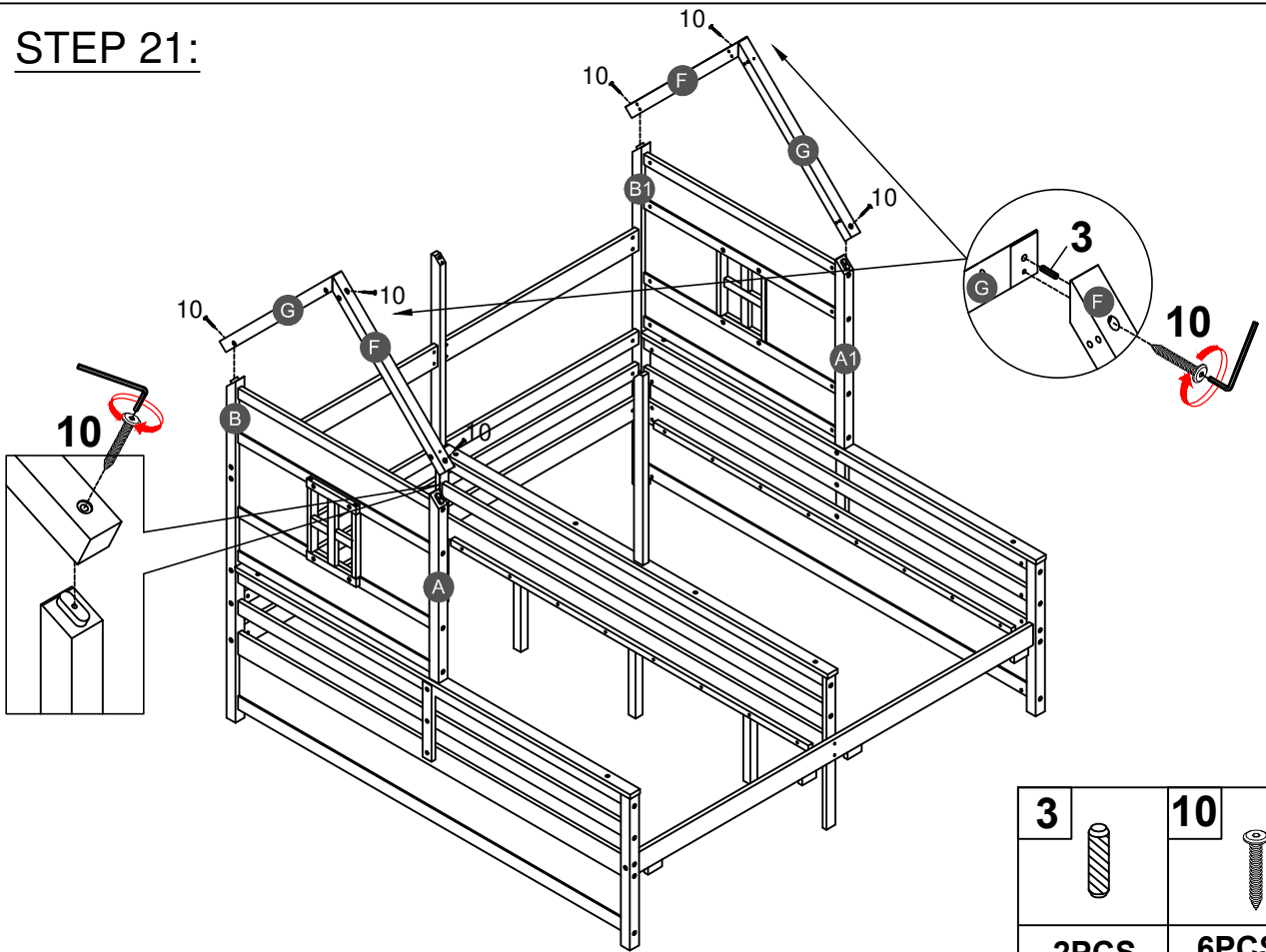
13		20	
8PCS		4PCS	

STEP 20:



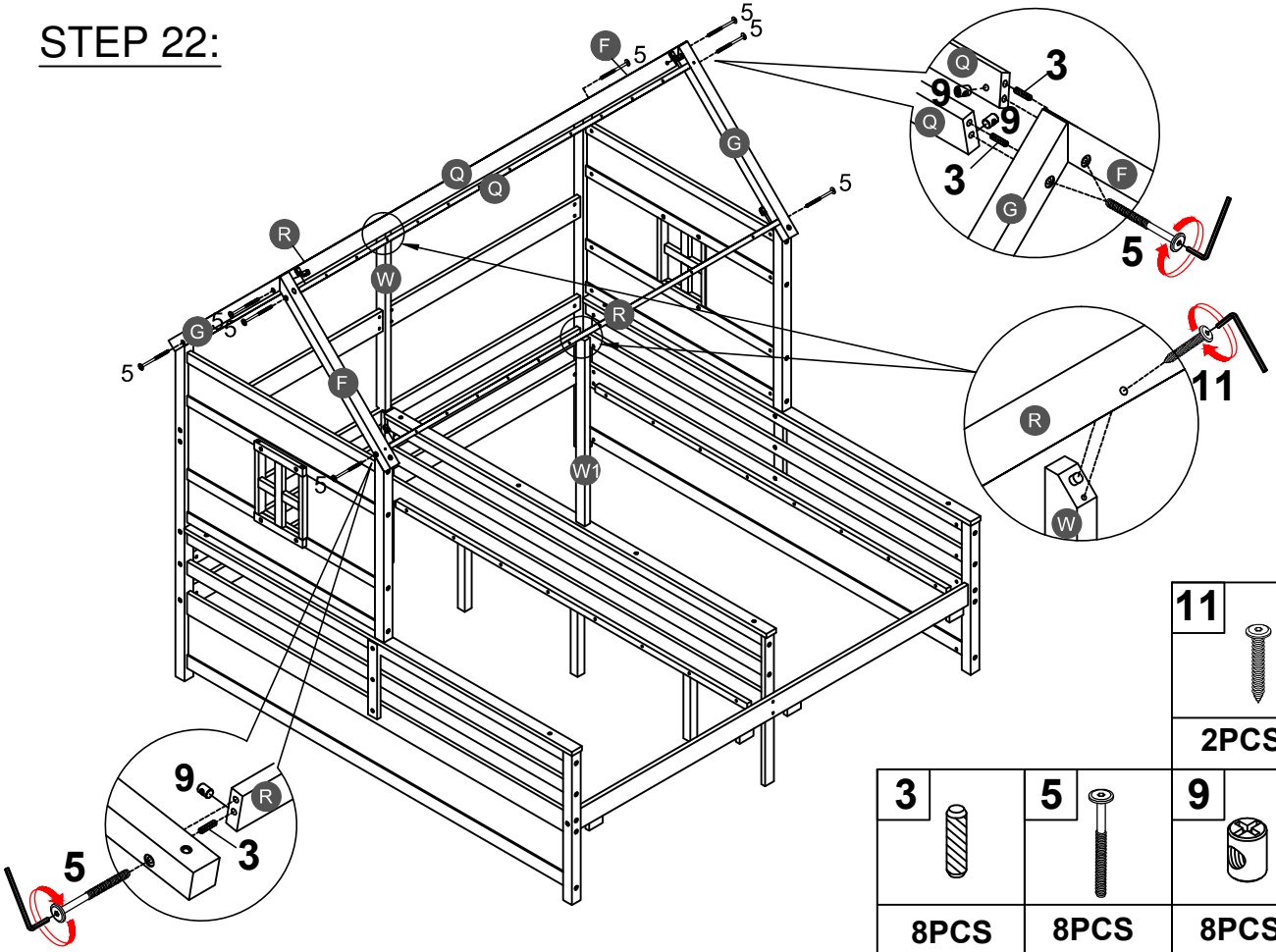
4		5		9	
2PCS		2PCS		4PCS	

STEP 21:



3		10	
2PCS		6PCS	

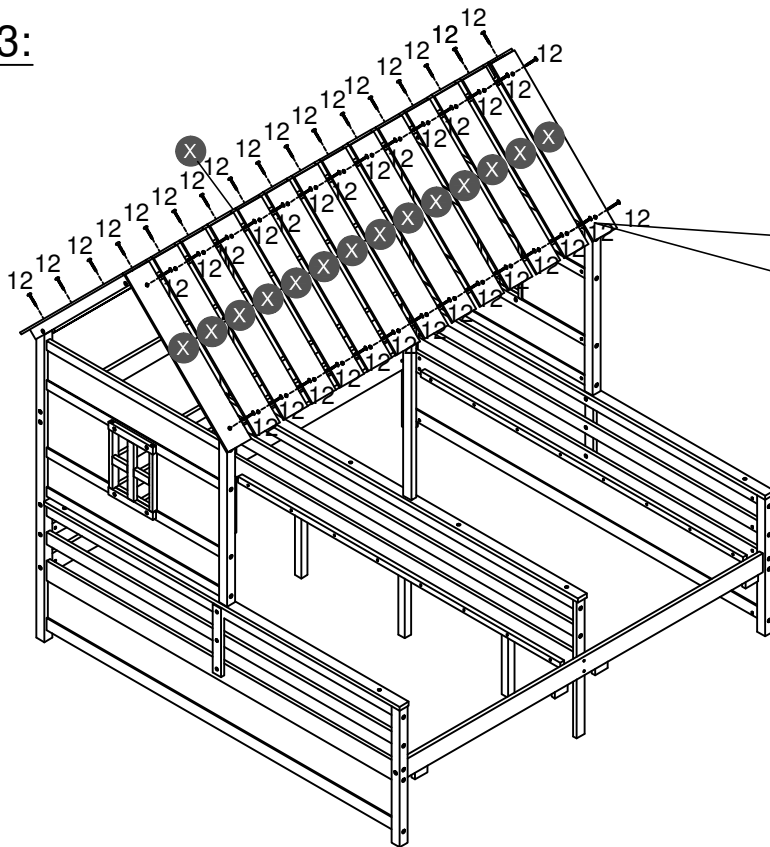
STEP 22:



3		5		9	
8PCS		8PCS		8PCS	

11	
2PCS	

STEP 23:

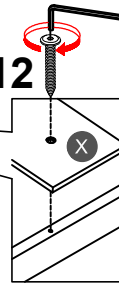


12

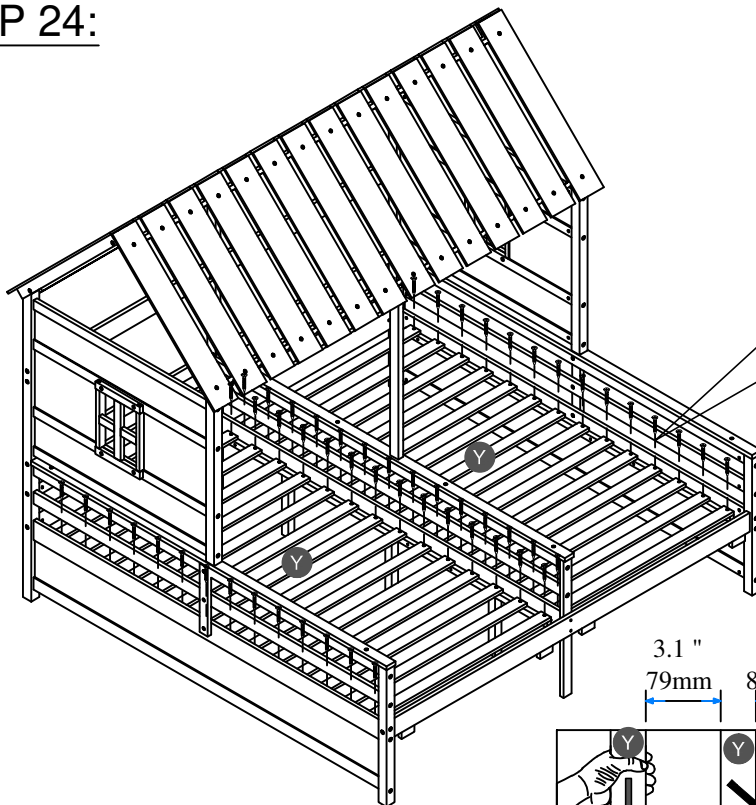


56PCS

12



STEP 24:

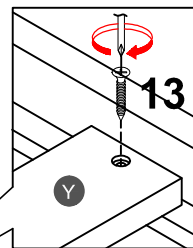


13

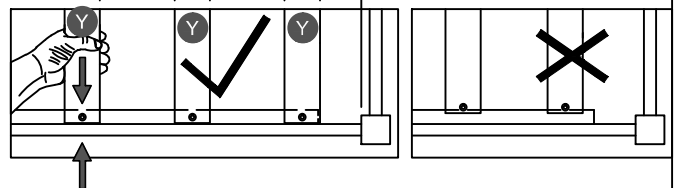


56PCS

13

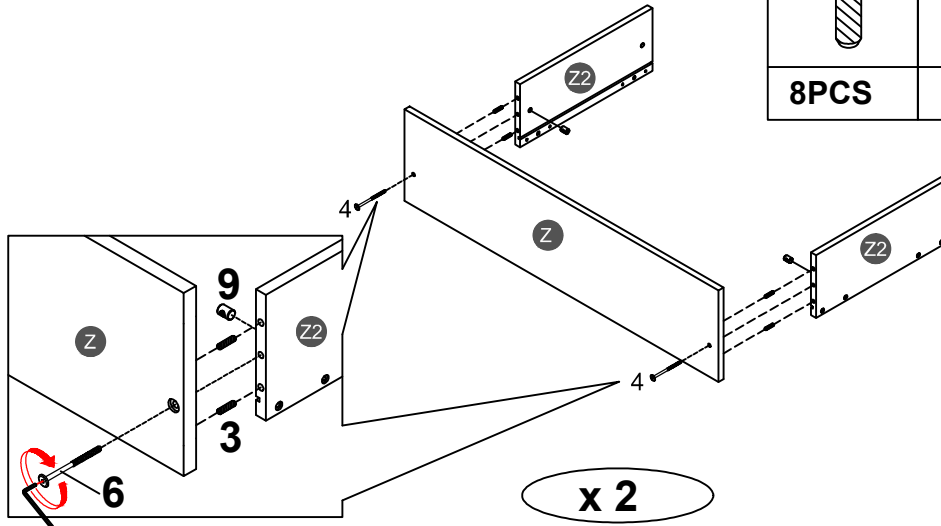


3.1 " 3.3 " 2.4 "
79mm 84.5mm 61mm



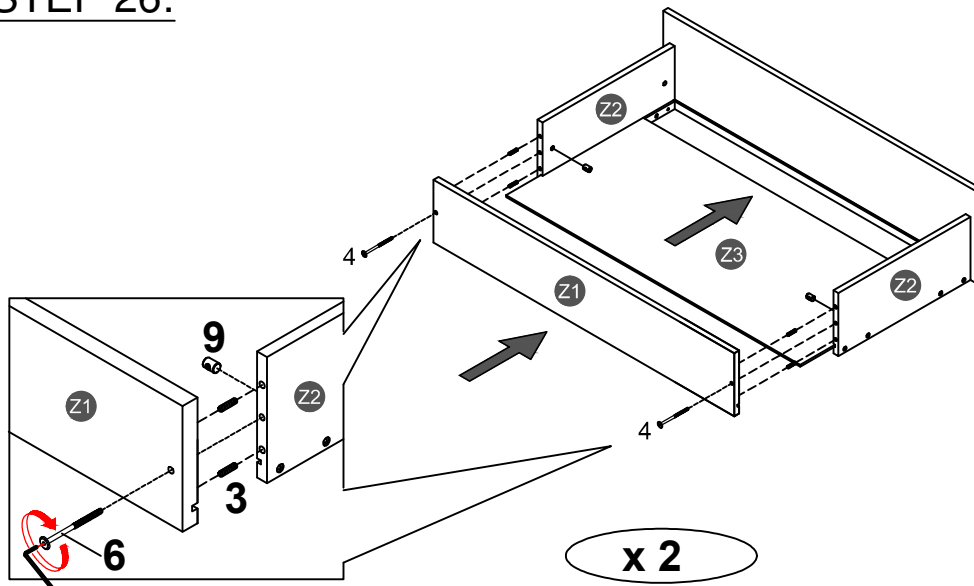
NOTE: Please make sure the bed slats close to the side rail before locking the screws to avoid breakage. This step is required for both the left and right sides. Moreover, please do not lock the screws of the bed slats at the outermost edge to avoid damaging.

STEP 25:



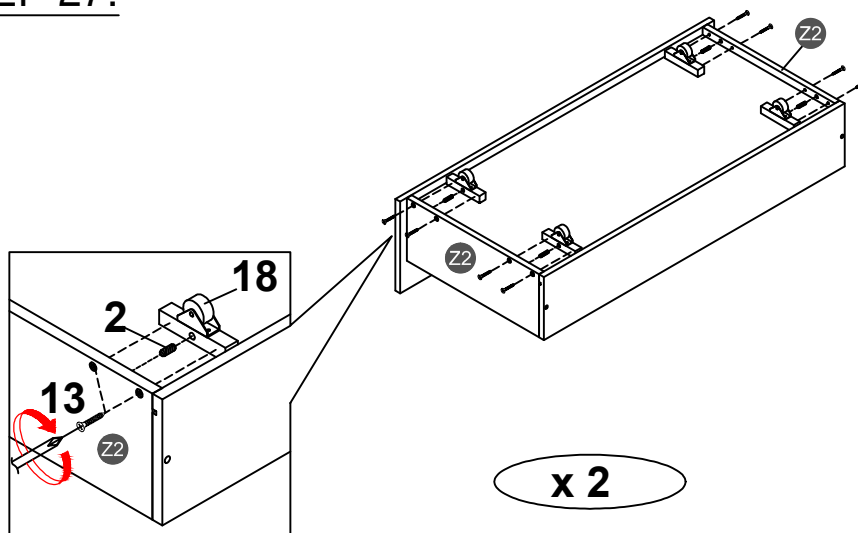
3		6		9	
8PCS		4PCS		4PCS	

STEP 26:



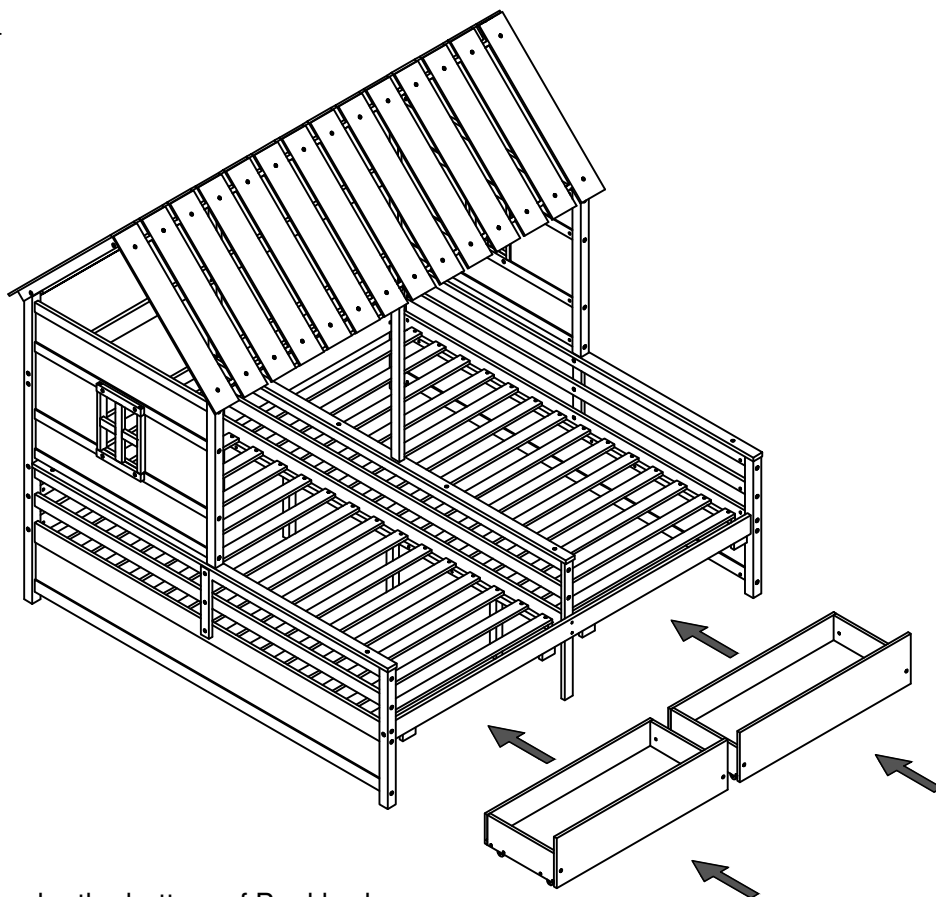
3		6	
8PCS		4PCS	
		9	
		4PCS	

STEP 27:

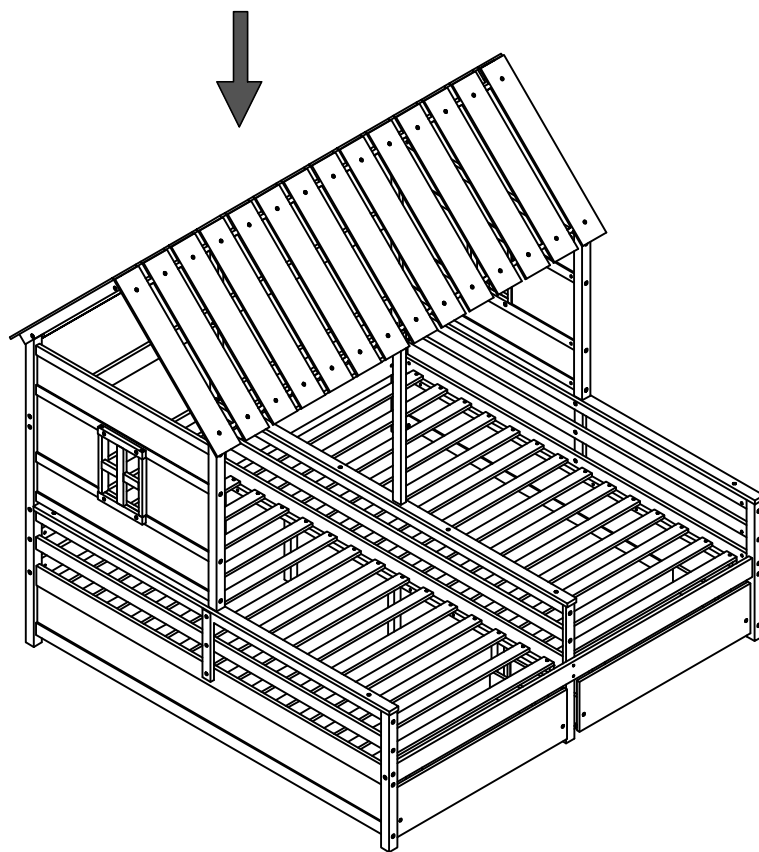


2		13	
8PCS		16PCS	
		18	
		8PCS	

STEP 28:



Push Drawers under the bottom of Bunkbed.



Make sure to tighten all the screws of the bed.