

**Tall Storage Cabinet**



Thank you for purchase on our products. Please contact us if you have difficulty with assembly or need replacement parts. Our customer service is here to assist you. Please attach your User Name or Order ID so that we can assist you better.

## **WARNING**

Serious or fatal injury may occur from unexpected assembly or use.

1. During the assembly process, keep all parts away from babies or children.
2. Always securely fix this product to the wall. Make sure the wall area to be drilled is free from hidden electrical wires, water and gas pipes.
3. Use of tip-over restraints may only reduce, but not eliminate the risk of tip-over.
4. Unless specially designed to accommodate, do not set heavy objects on top of this product.
5. Place the heaviest items on the lowest shelf.
6. Never allow children to climb or bang on drawers, doors or shelves.



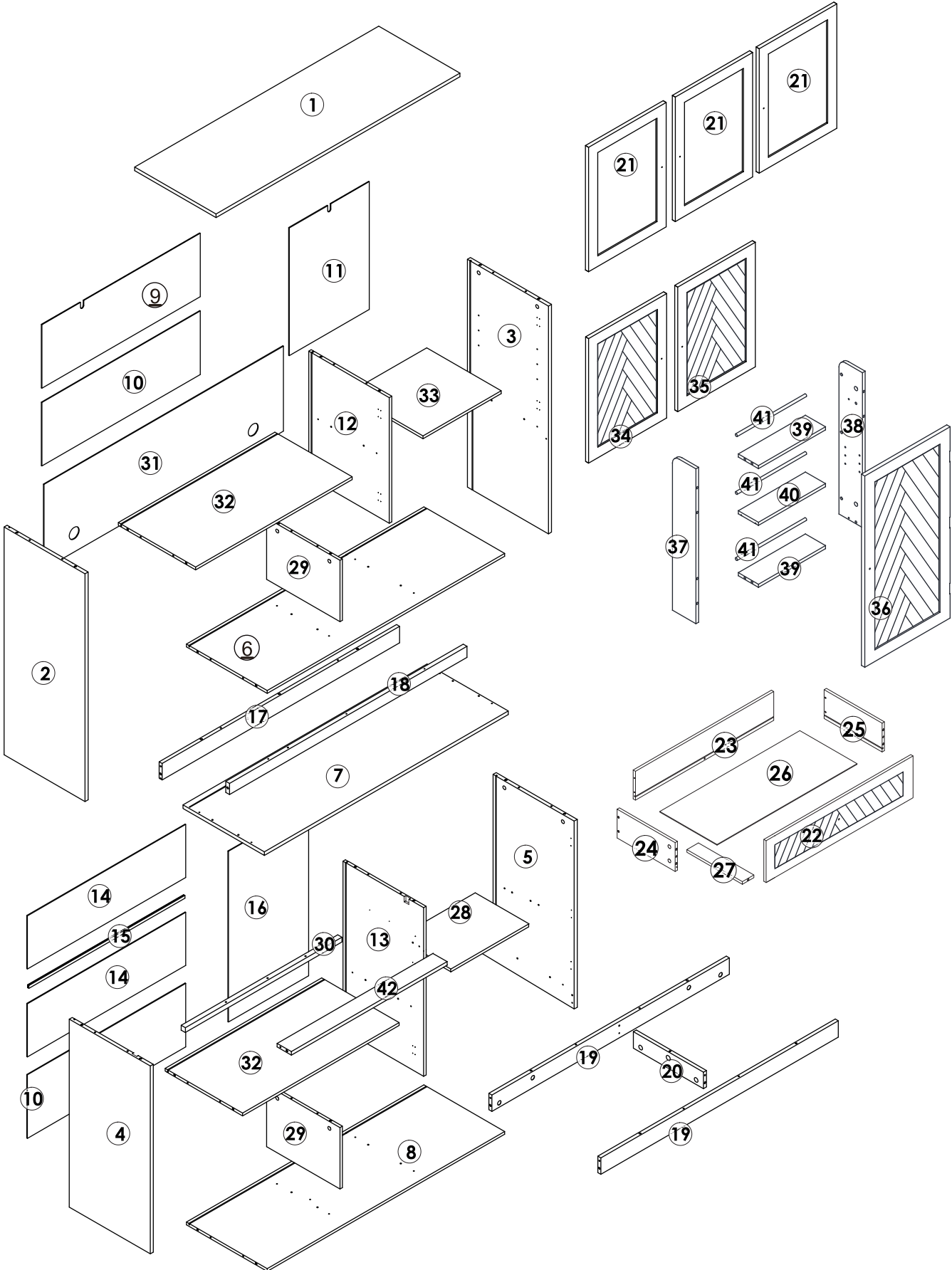
Vielen Dank für Ihren Kauf von uns Produkten. Bitte kontaktieren Sie uns, wenn Sie Probleme mit Montage haben oder Ersatzteile benötigen. Wir Kundenservice ist für Sie da. Bitte geben Sie Ihren Benutzernamen oder Ihre Bestellnummer an, damit wir Sie besser unterstützen können.

## **WARNUNG**

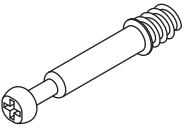
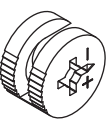
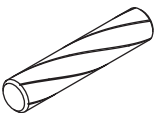
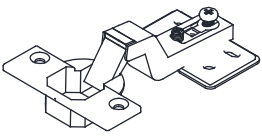
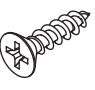
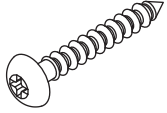
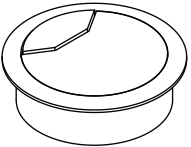
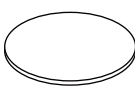
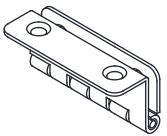
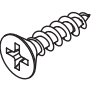
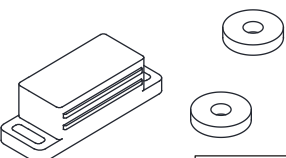
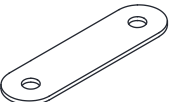
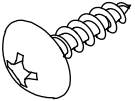
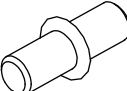
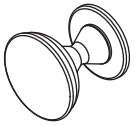
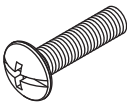
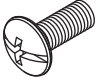
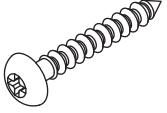
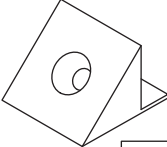

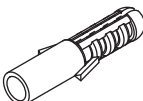

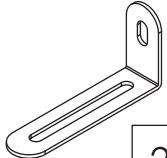
Bei unerwarteter Montage oder Verwendung können schwere oder tödliche Verletzung auftreten.

1. Legen Sie in den Montageprozess alle Teile weg von Babys oder Kindern.
2. Stellen Sie sicher, dass der gebohrte Wandbereich frei von verborgenen Stromkabeln, Wasser- und Gasleitungen ist, wenn Sie dieses Produkt an der Wand befestigen.
3. Die Verwendung von Kippsicherungen kann die Gefahr eines Kippens nur verringern, jedoch nicht beseitigen.
4. Setzen Sie bitte keine schweren Gegenstände auf dieses Produkt, es sei denn, dass das Produkt speziell für die Unterbringung konzipiert wird.
5. Legen Sie bitte die schwersten Gegenstände auf das unterste Regal.
6. Erlauben Sie nie Kindern, auf Schubladen, Türen oder Regale zu klettern oder zu knallen.

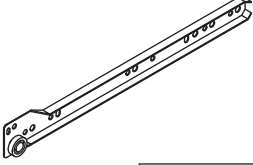
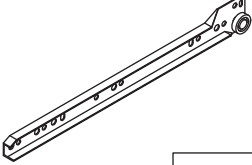
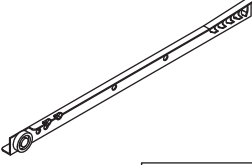
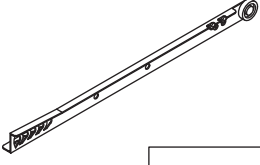
# Parts List(EN) / Teile Liste(DE)



## Parts List(EN) / Teile Liste(DE)

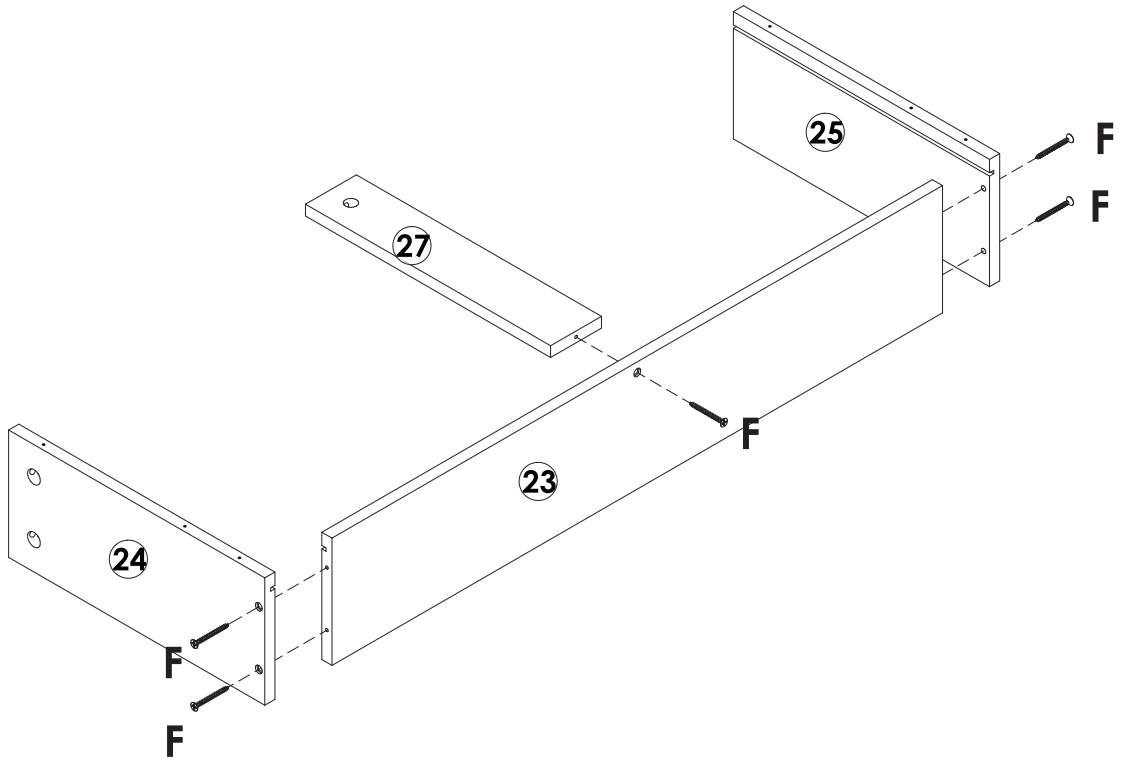
<p><b>A</b></p>  <p>M6x35mm      72+2PCS</p>	<p><b>B</b></p>  <p>Ø15x9mm      72+2PCS</p>	<p><b>C</b></p>  <p>M6x30mm      76+2PCS</p>
<p><b>D</b></p>  <p>10PCS</p>	<p><b>E</b></p>  <p>M3.5x14mm      60+2PCS</p>	<p><b>F</b></p>  <p>M4x35mm      19+2PCS</p>
<p><b>G</b></p>  <p>2PCS</p>	<p><b>X</b></p>  <p>12+2PCS</p>	<p><b>I</b></p>  <p>3PCS</p>
<p><b>J</b></p>  <p>M3.5x12mm      26+2PCS</p>	<p><b>K</b></p>  <p>1PC</p>	<p><b>L</b></p>  <p>1PC</p>
<p><b>M</b></p>  <p>M3x16mm      2PCS</p>	<p><b>N</b></p>  <p>8PCS</p>	<p><b>O</b></p>  <p>7PCS</p>
<p><b>P</b></p>  <p>M4x16mm      6PCS</p>	<p><b>Q</b></p>  <p>M4x8mm      1PC</p>	<p><b>R</b></p>  <p>M4x25mm      3PCS</p>
<p><b>S</b></p>  <p>28+2PCS</p>	<p><b>T</b></p>  <p>M3x14mm      28+2PCS</p>	<p><b>U</b></p>  <p>2PCS</p>
<p><b>V</b></p>  <p>M4x12mm      2PCS</p>	<p><b>W</b></p>  <p>2PCS</p>	

## Parts List(EN) / Teile Liste(DE)

<b>CL</b> 	<b>CR</b> 	<b>DL</b> 
300mm      1PC	300mm      1PC	300mm      1PC
<b>DR</b> 		
300mm      1PC		

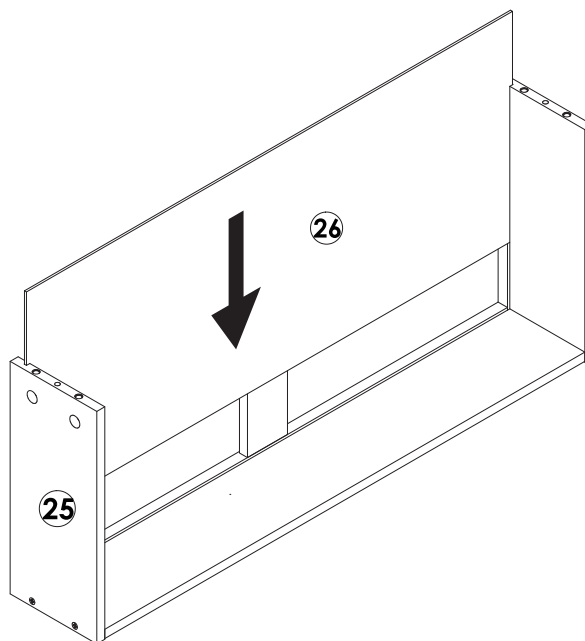
# Assembly Steps(EN) / Montageschritte(DE)

## STEP 1



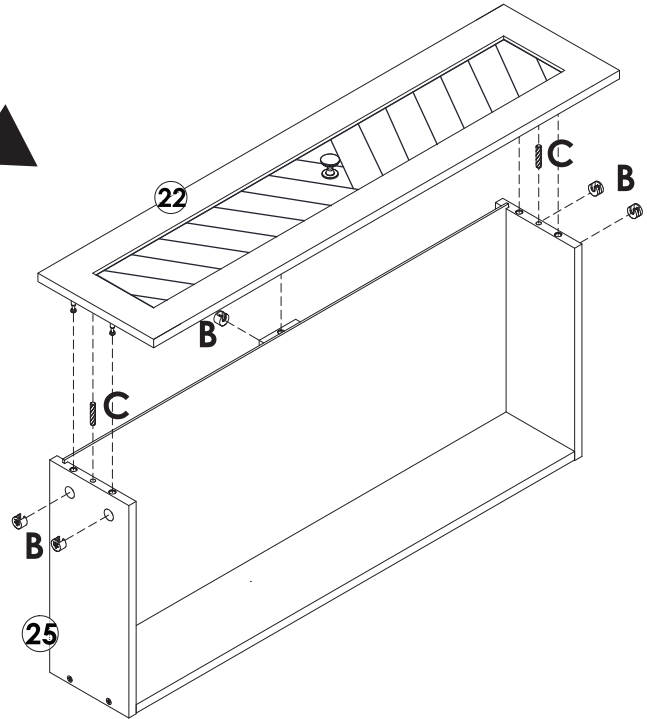
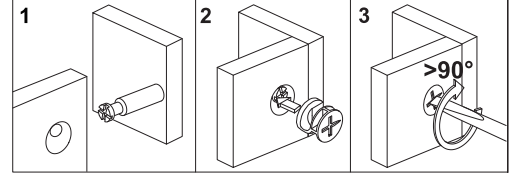
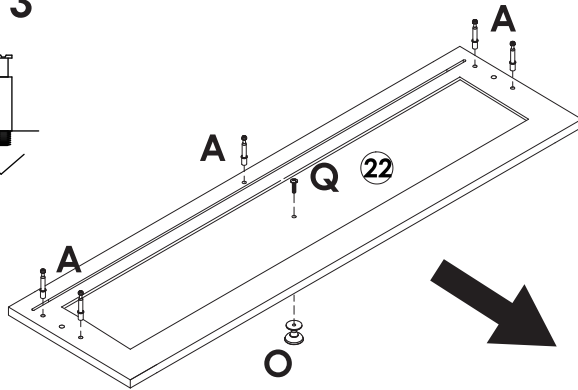
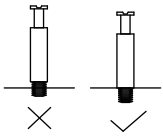
F x 5PCS

## STEP 2



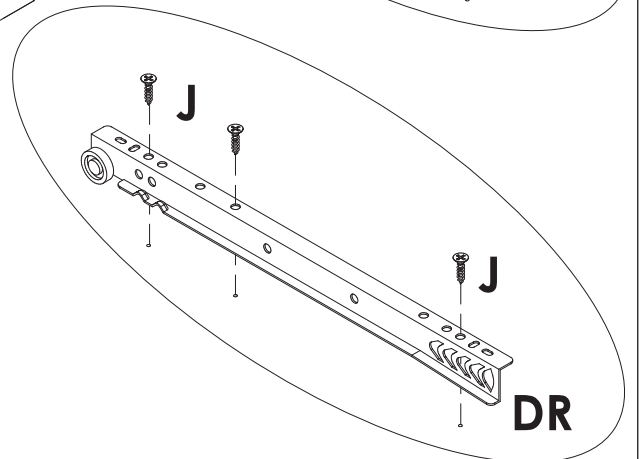
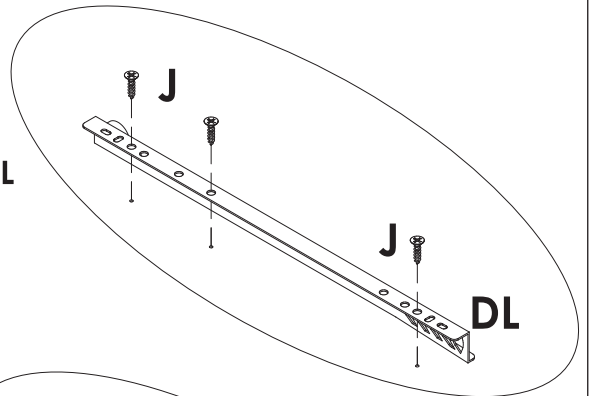
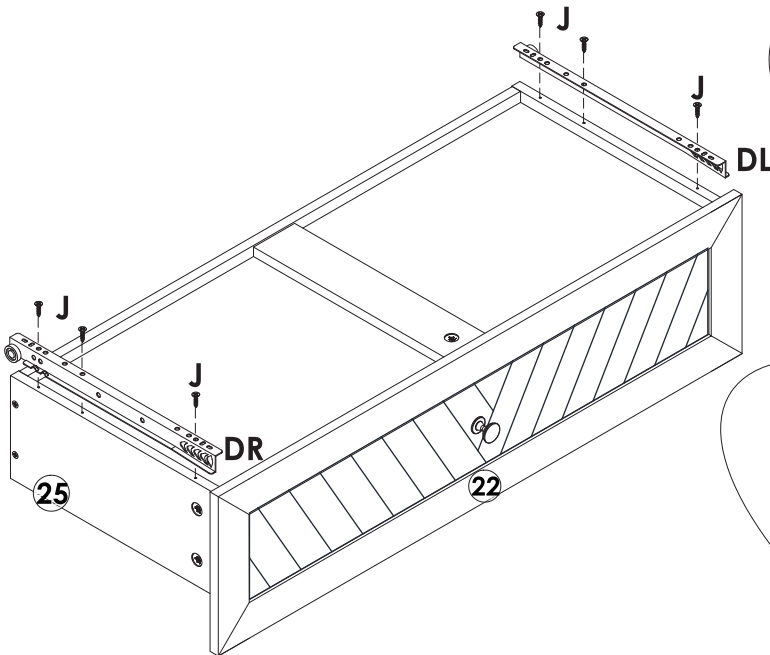
## Assembly Steps(EN) / Montageschritte(DE)

### STEP 3



	A x 5PCS
	B x 5PCS
	C x 2PCS
	O x 1PC
	Q x 1PC

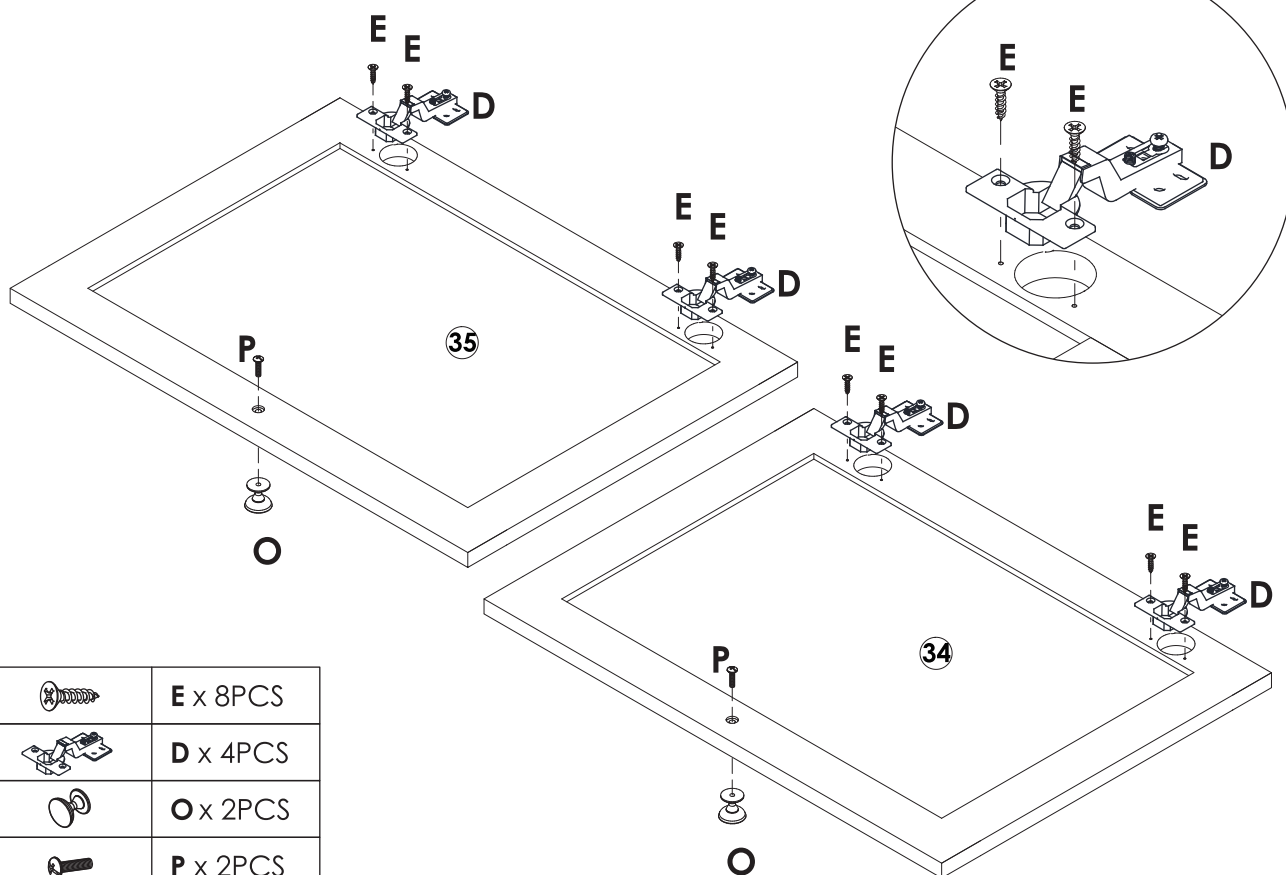
### STEP 4







	J x 6PCS
	DL x 1PC
	DR x 1PC

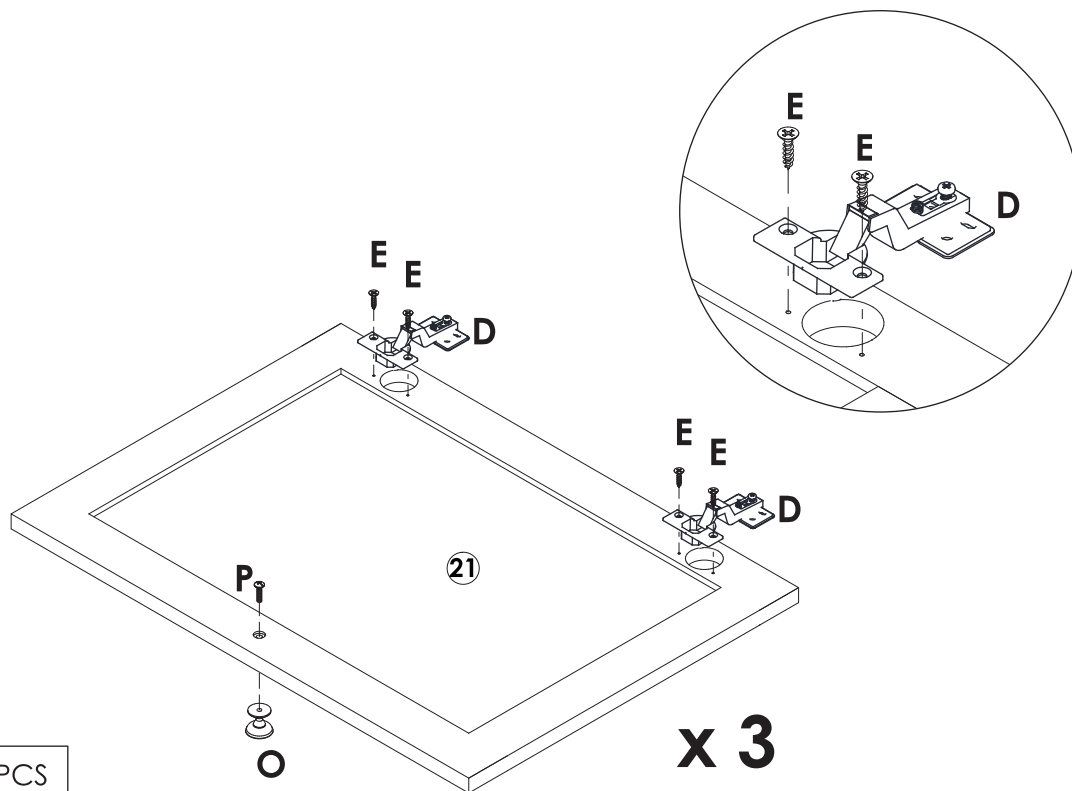
# Assembly Steps(EN) / Montageschritte(DE)





## STEP 5



	<b>E</b> x 8PCS
	<b>D</b> x 4PCS
	<b>O</b> x 2PCS
	<b>P</b> x 2PCS

## STEP 6

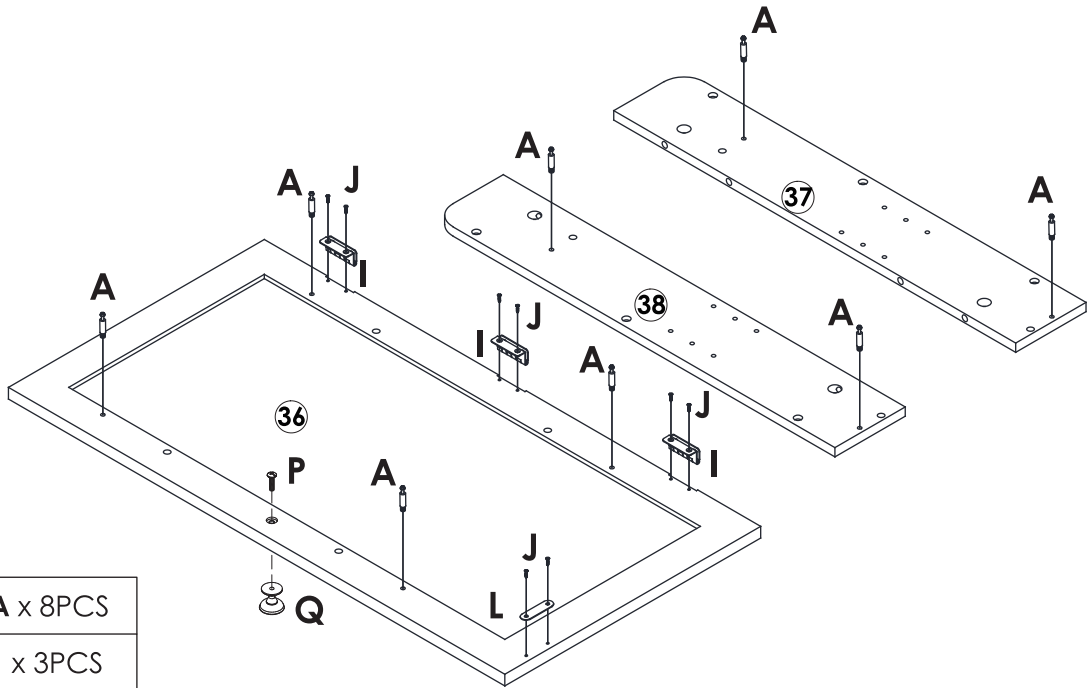
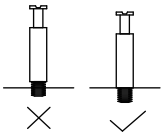








	<b>E</b> x 12PCS
	<b>D</b> x 6PCS
	<b>O</b> x 3PCS
	<b>P</b> x 3PCS

**x 3**

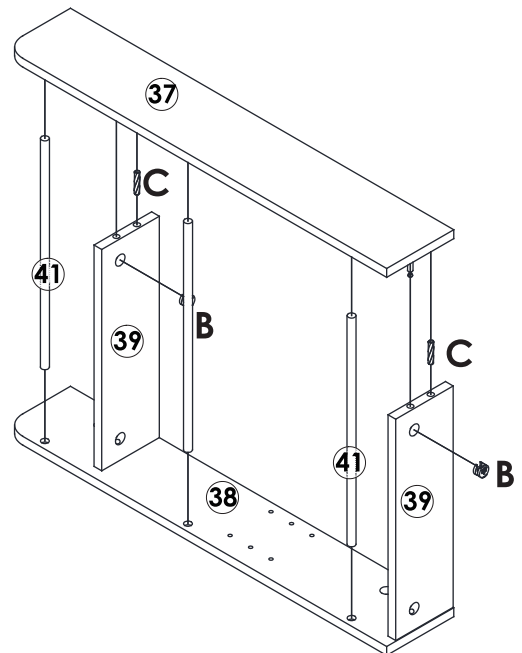
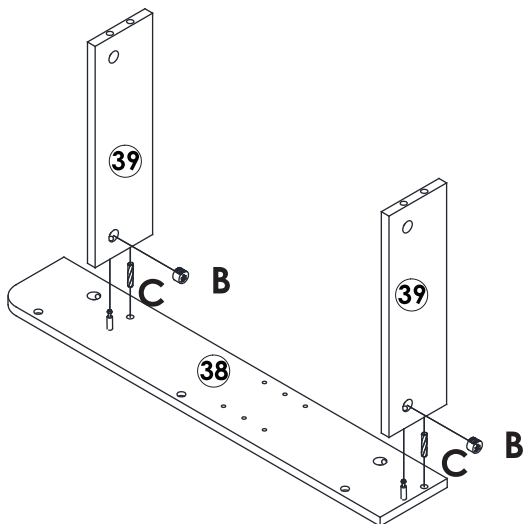
# Assembly Steps(EN) / Montageschritte(DE)



## STEP 7



	A x 8PCS
	I x 3PCS
	J x 8PCS
	L x 1PC
	Qx 1PC
	P x 1PC

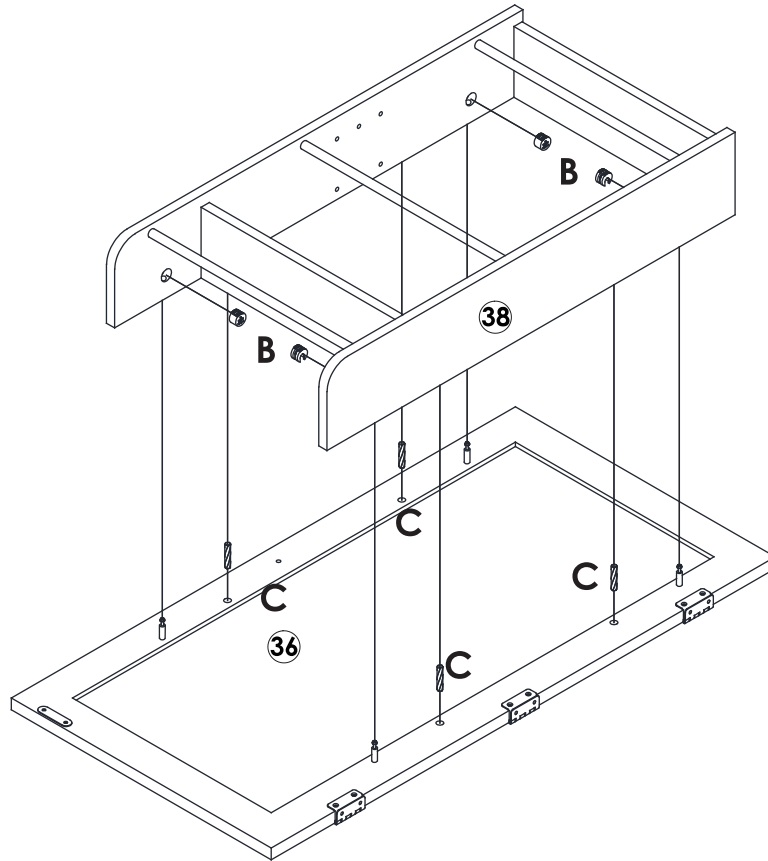
## STEP 8



	B x 4PCS
	C x 4PCS

# Assembly Steps(EN) / Montageschritte(DE)

## STEP 9

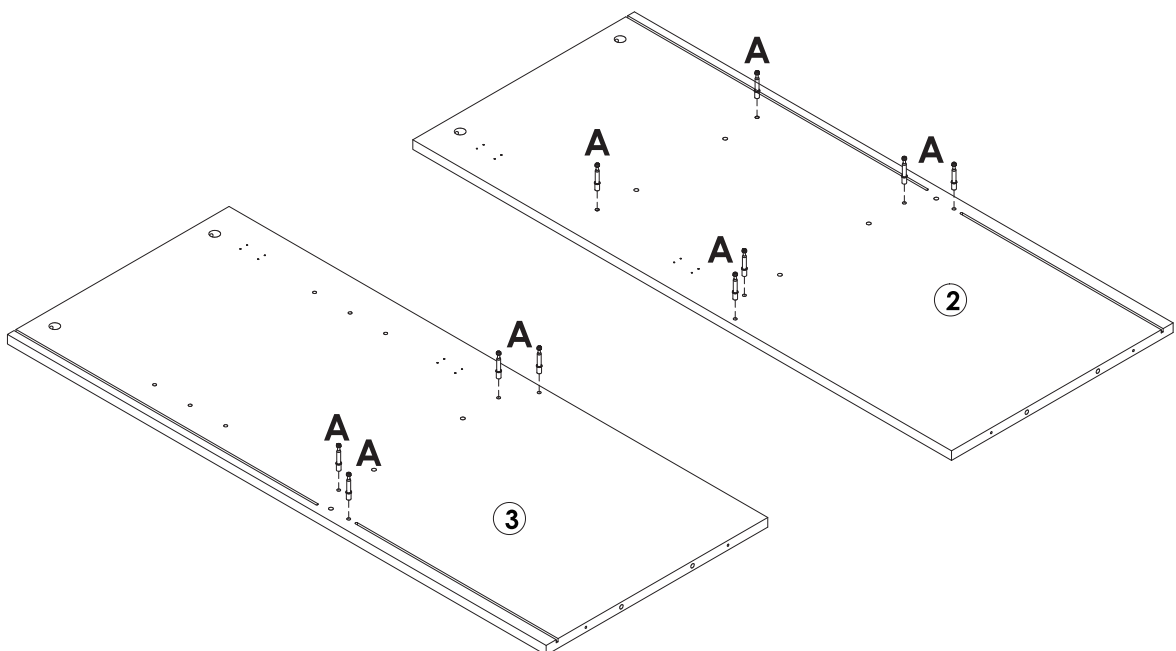
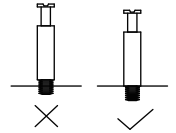


**B** x 4PCS



**C** x 4PCS

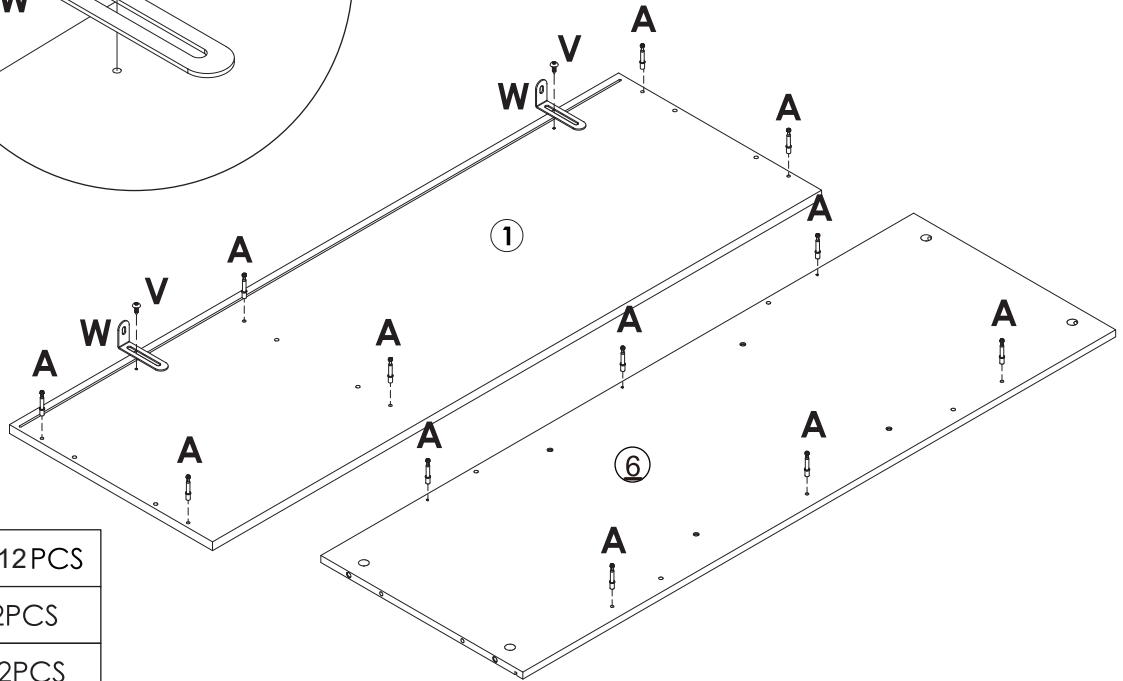
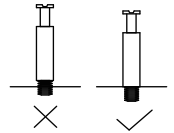
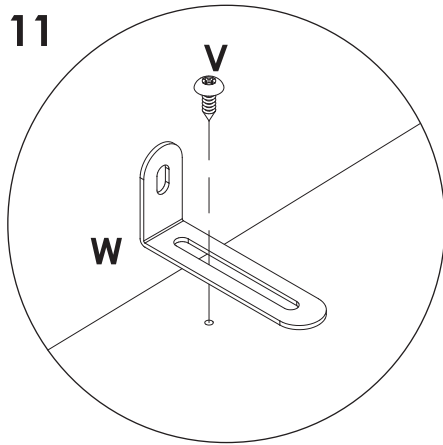
## STEP 10






**A** x 10PCS

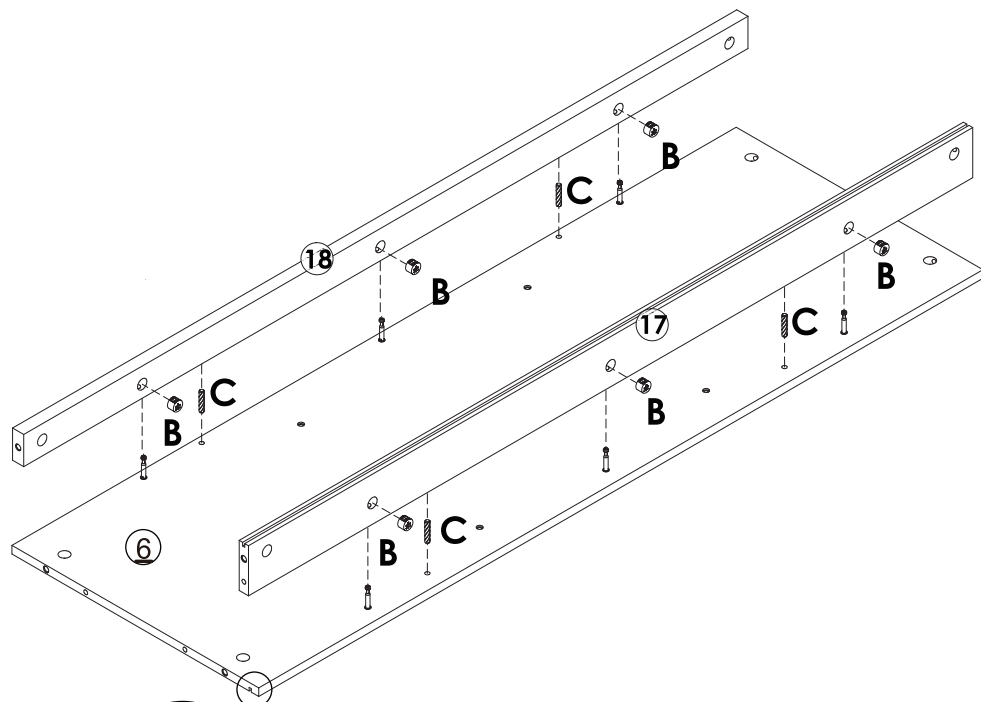
# Assembly Steps(EN) / Montageschritte(DE)



## STEP 11

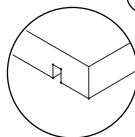


	A x12PCS
	V x 2PCS
	W x 2PCS

## STEP 12

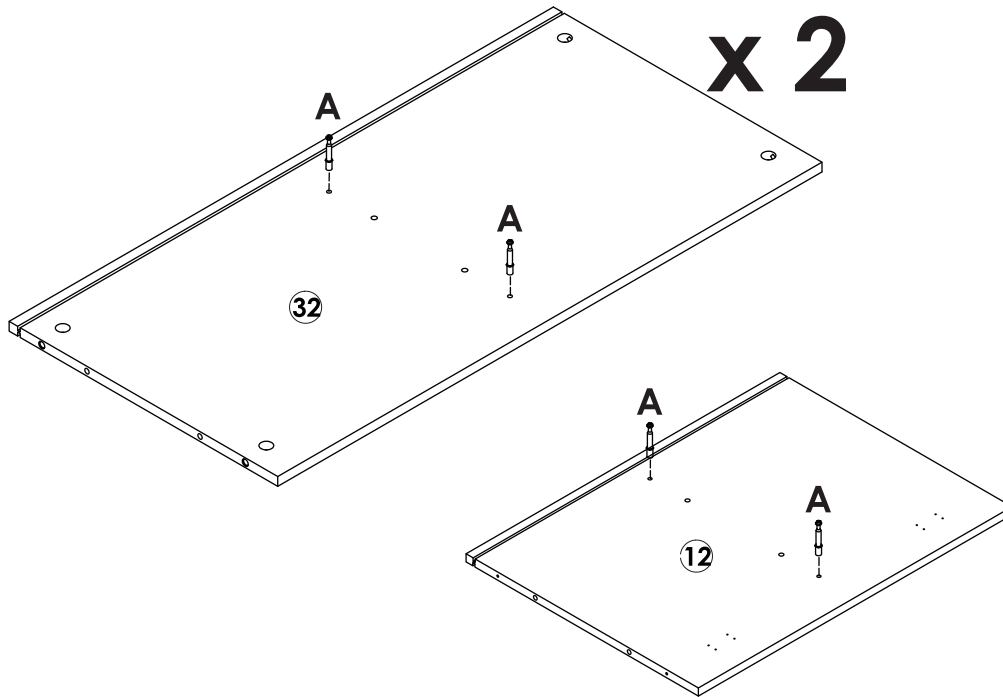


	B x 6PCS
	C x 4PCS



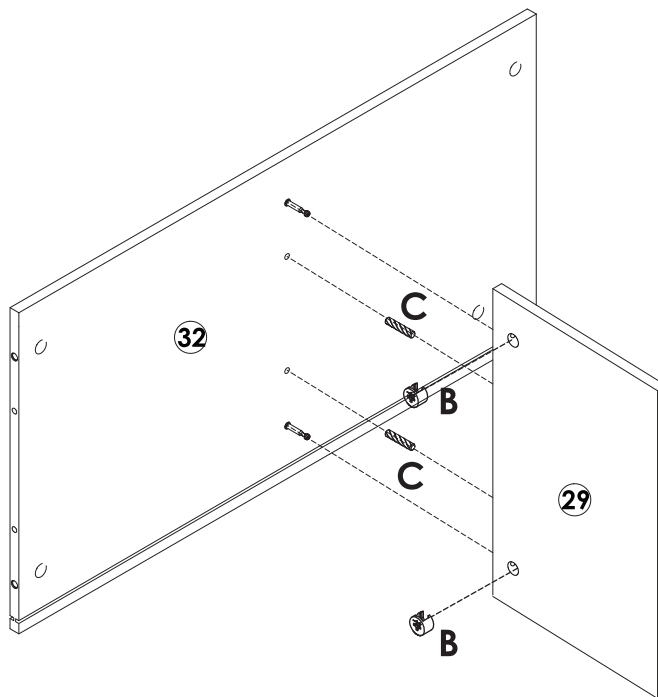
# Assembly Steps(EN) / Montageschritte(DE)

## STEP 13



A x 6PCS

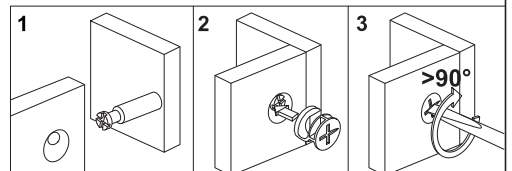
## STEP 14



B x 2PCS

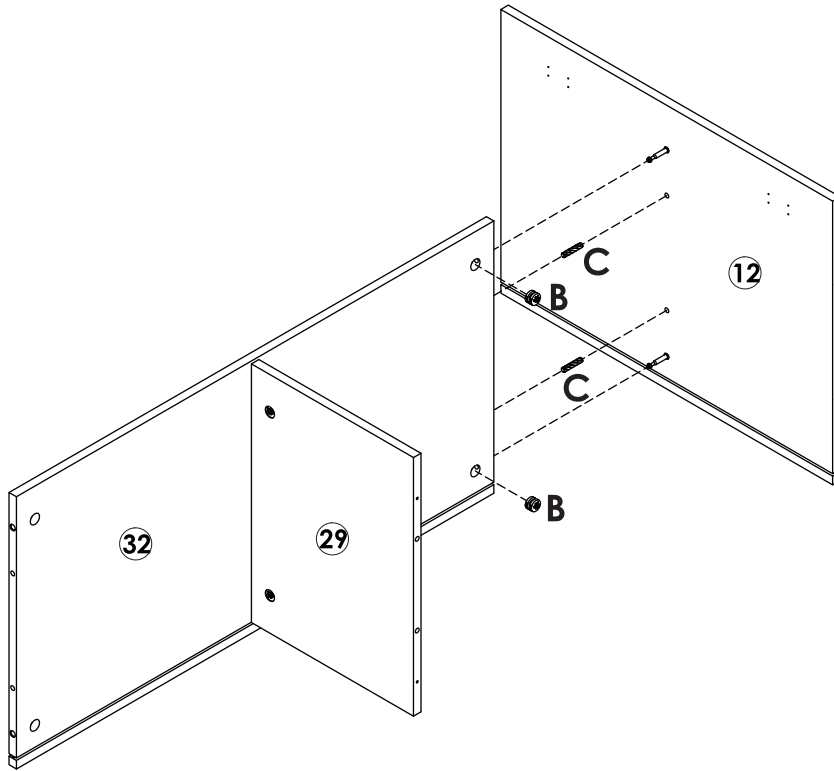


C x 2PCS



# Assembly Steps(EN) / Montageschritte(DE)

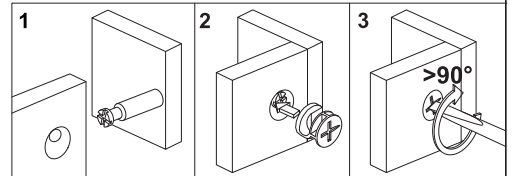
## STEP 15



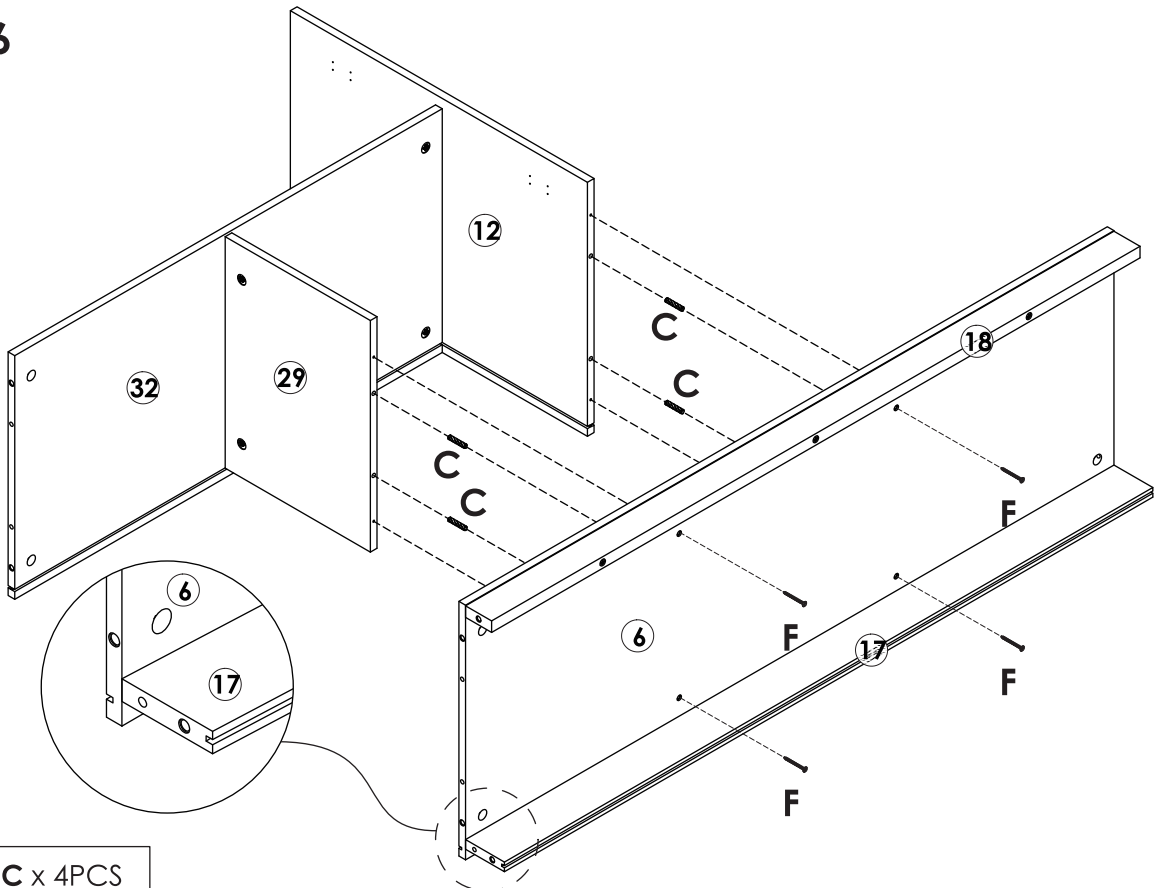
**B** x 2PCS



**C** x 2PCS



## STEP 16



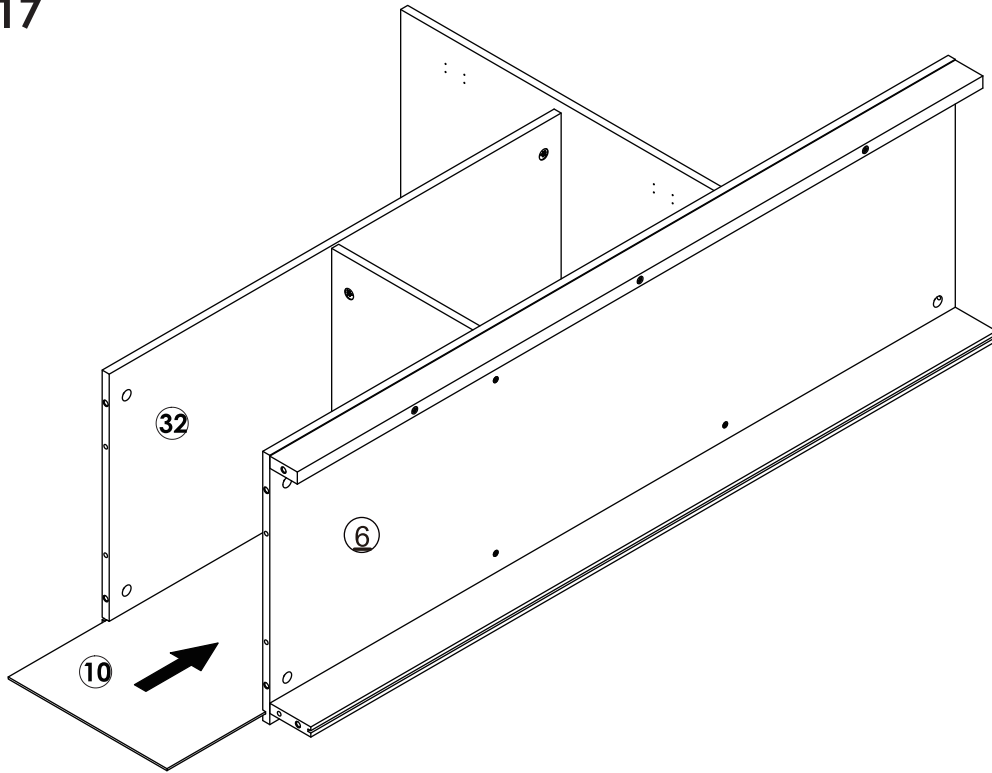
**C** x 4PCS



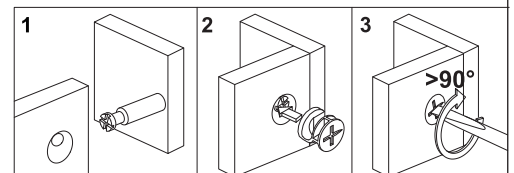
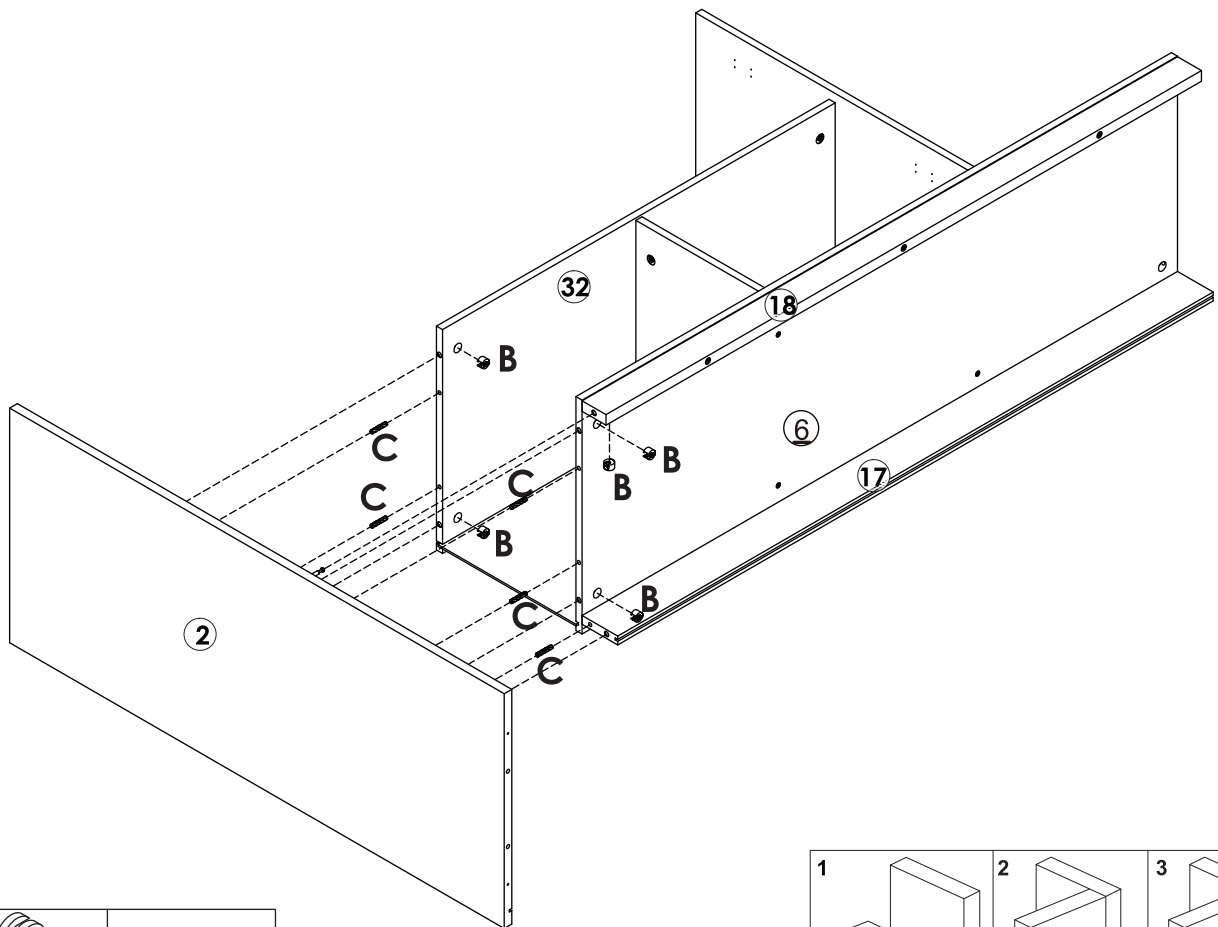
**F** x 4PCS



# Assembly Steps(EN) / Montageschritte(DE)

## STEP 17



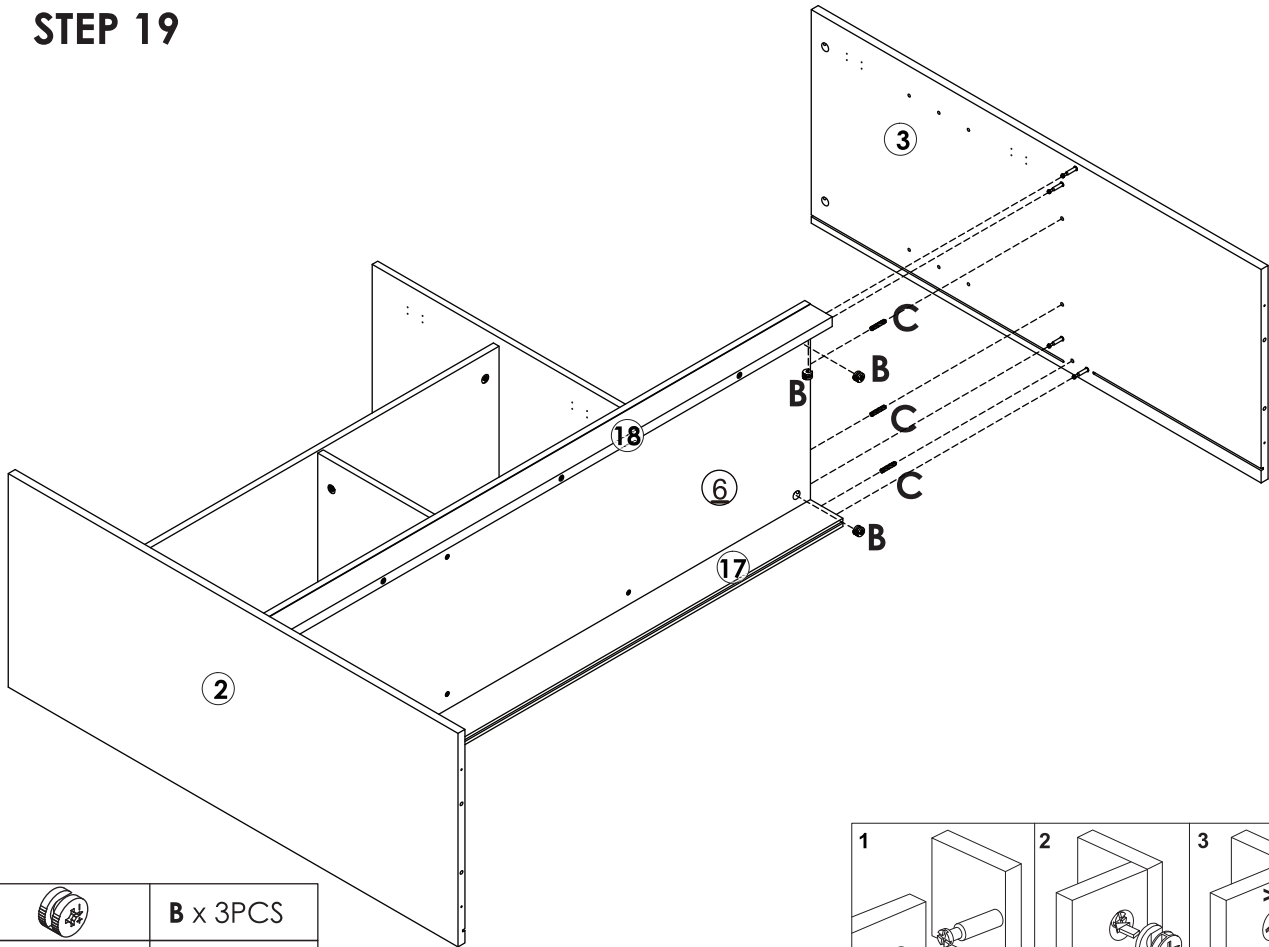
## STEP 18





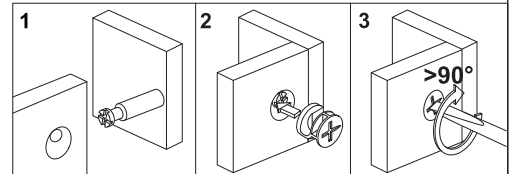
	<b>B</b> x 5PCS
	<b>C</b> x 5PCS

# Assembly Steps(EN) / Montageschritte(DE)

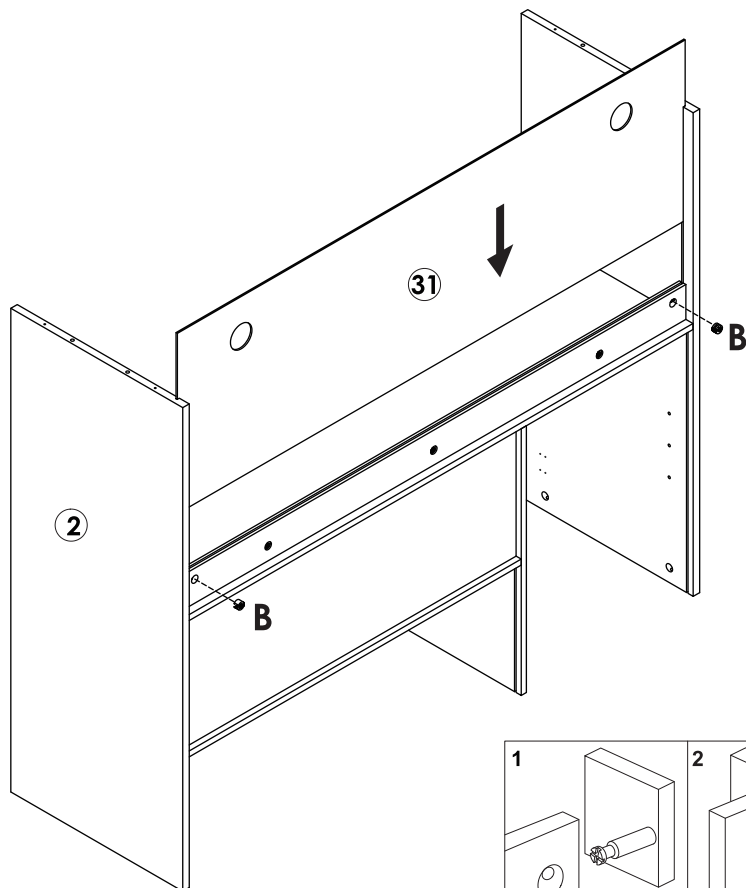
## STEP 19



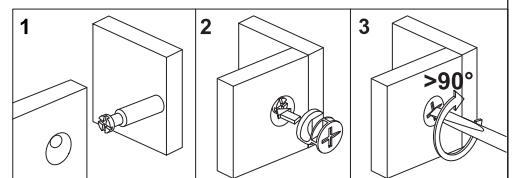
	<b>B x 3PCS</b>
	<b>C x 3PCS</b>



## STEP 20

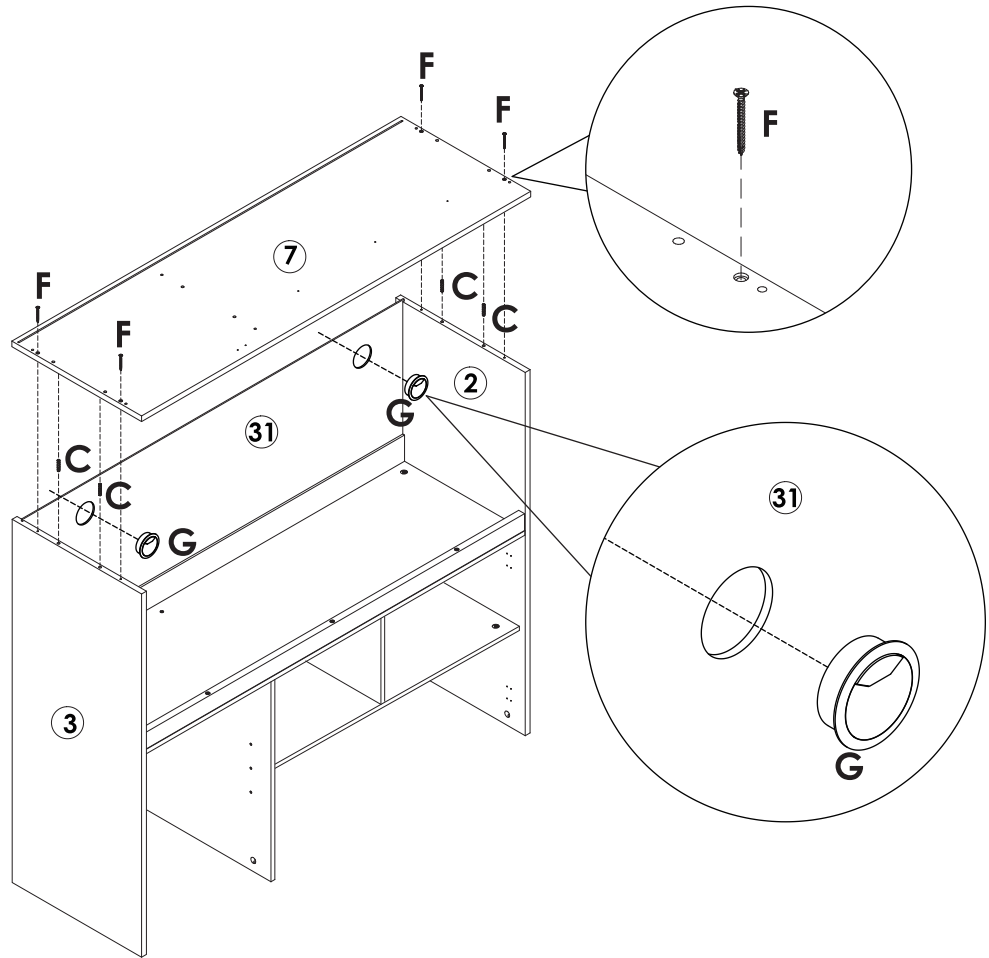





	<b>B x 2PCS</b>
---	-----------------



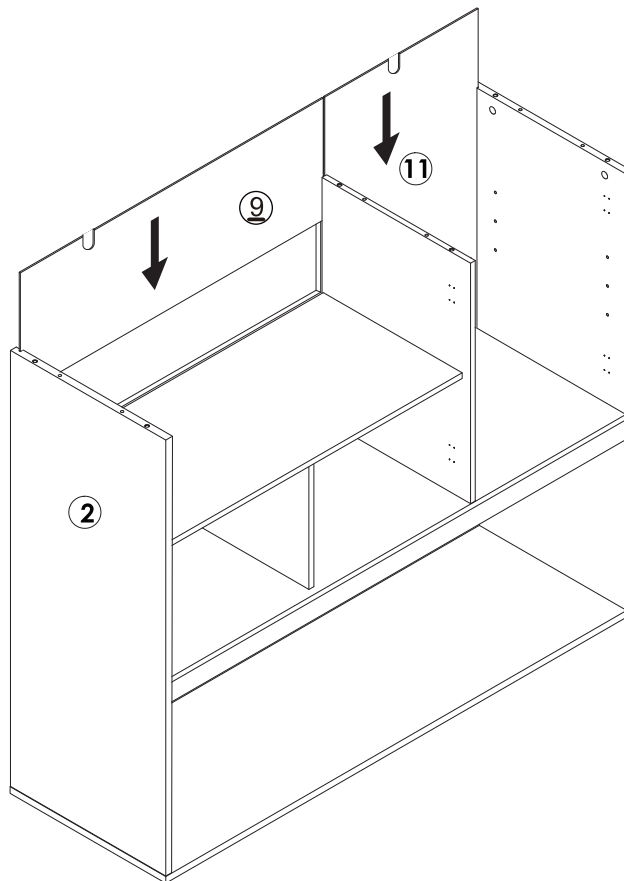
# Assembly Steps(EN) / Montageschritte(DE)

## STEP 21



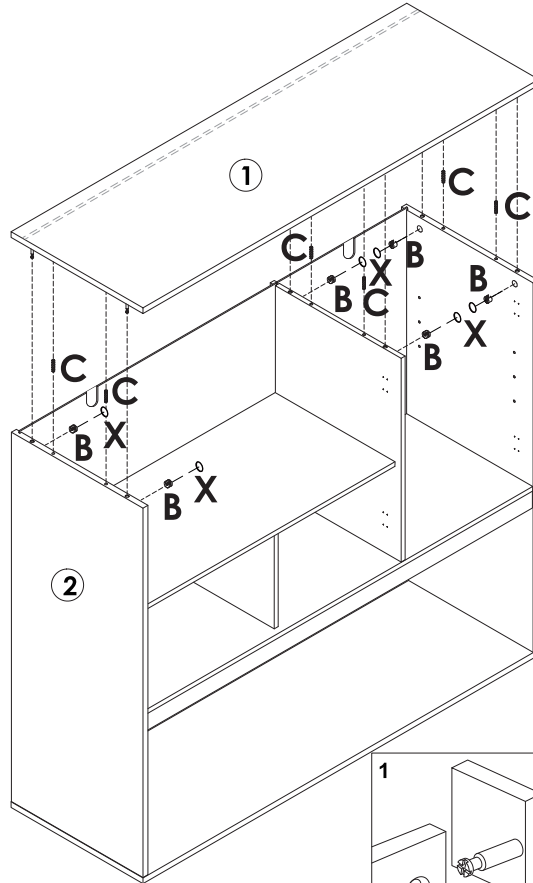
	C x 4PCS
	F x 4PCS
	G x 2PCS




## STEP 22

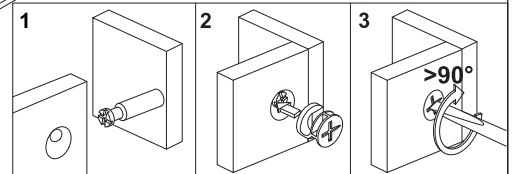


# Assembly Steps(EN) / Montageschritte(DE)

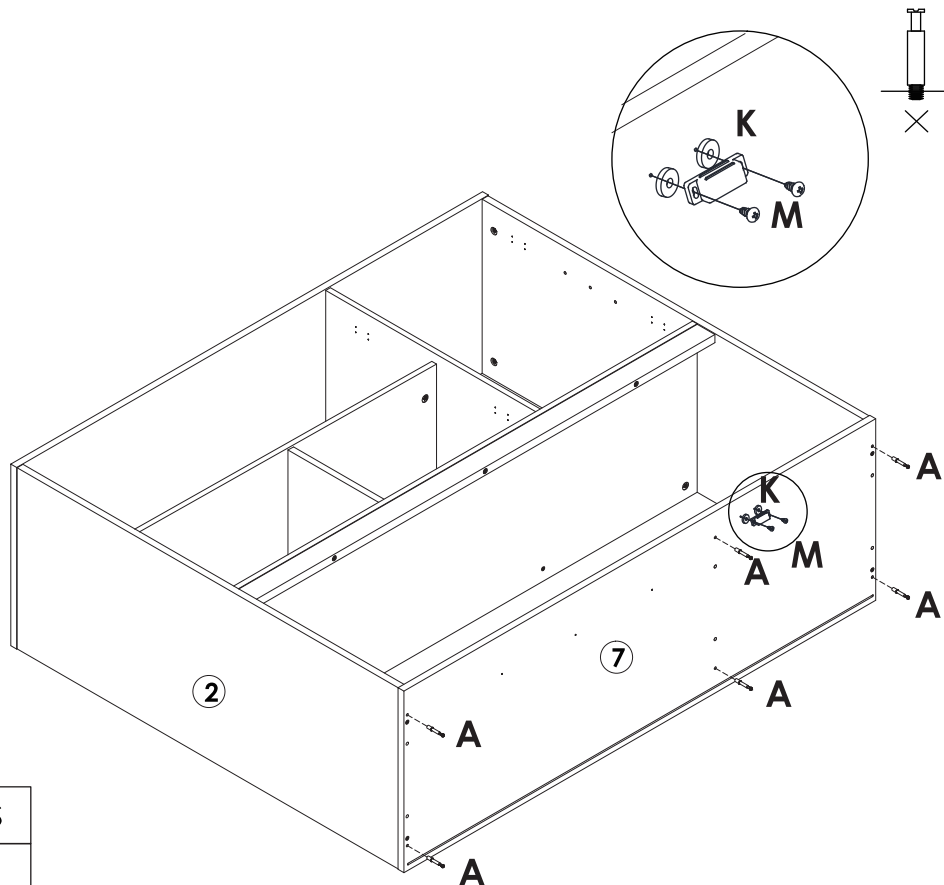
## STEP 23






	B x 6PCS
	C x 6PCS
	X x 6PCS



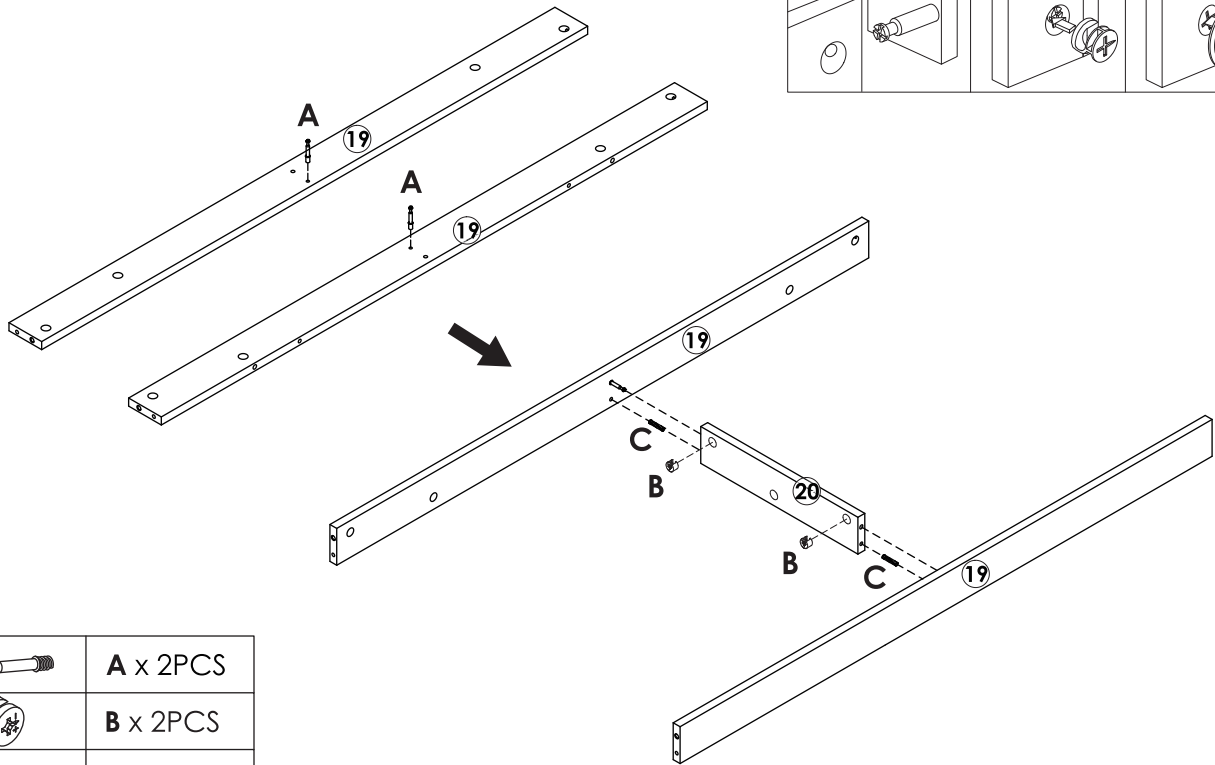
## STEP 24






	A x 6PCS
	K x 1PC
	M x 2PCS

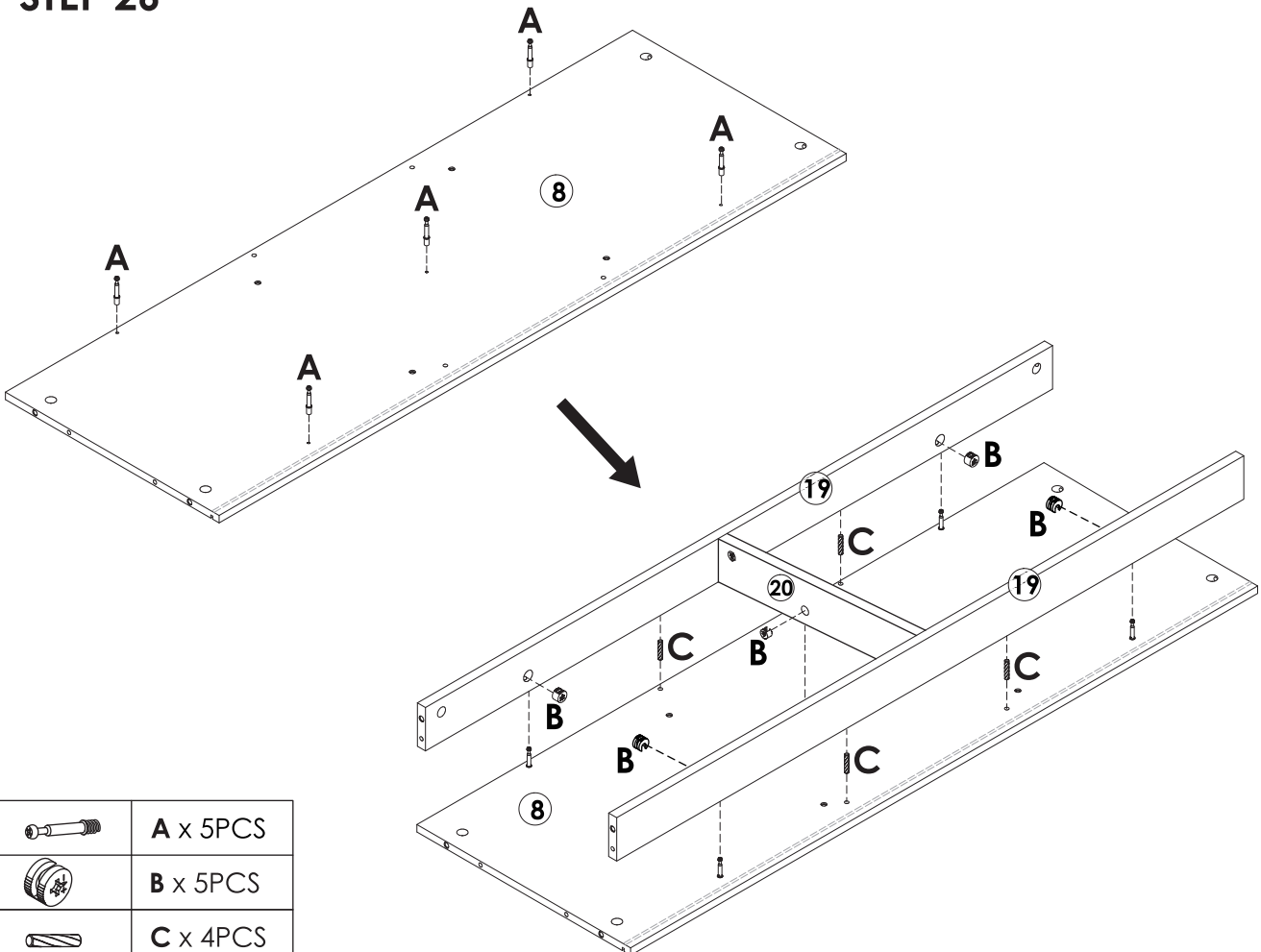
# Assembly Steps(EN) / Montageschritte(DE)




## STEP 25



	<b>A x 2PCS</b>
	<b>B x 2PCS</b>
	<b>C x 2PCS</b>

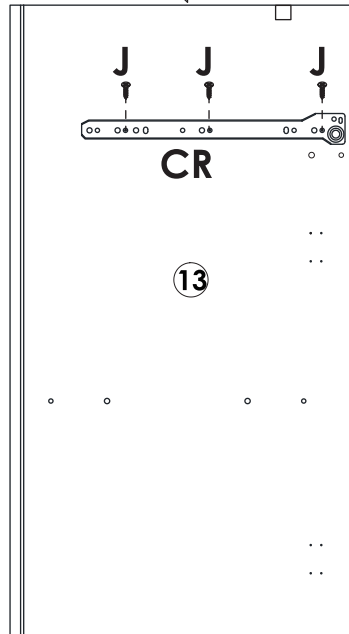
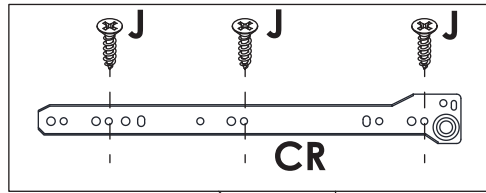
## STEP 26





	<b>A x 5PCS</b>
	<b>B x 5PCS</b>
	<b>C x 4PCS</b>

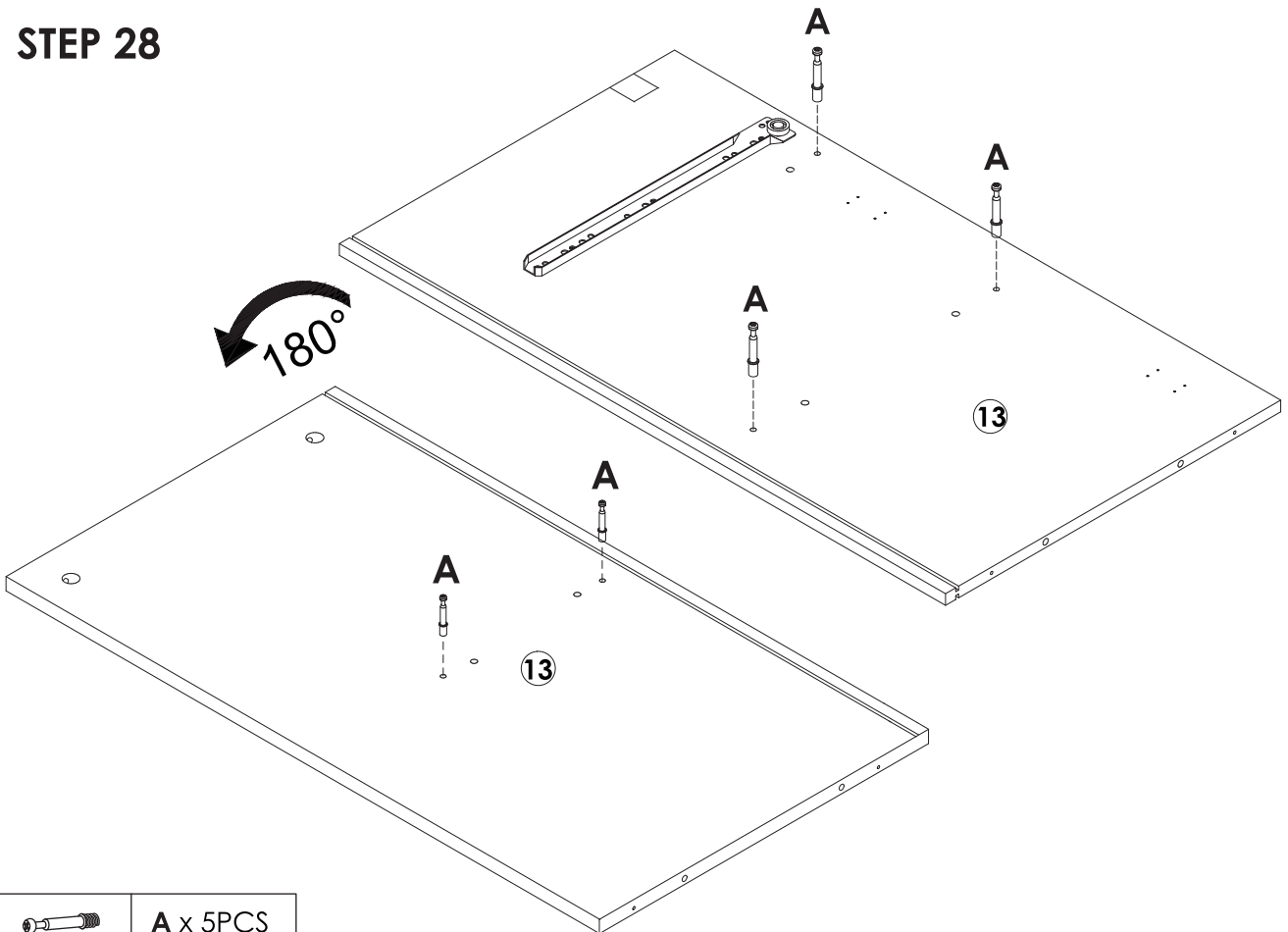
# Assembly Steps(EN) / Montageschritte(DE)

## STEP 27



	J x 3PCS
	CR x 1PC

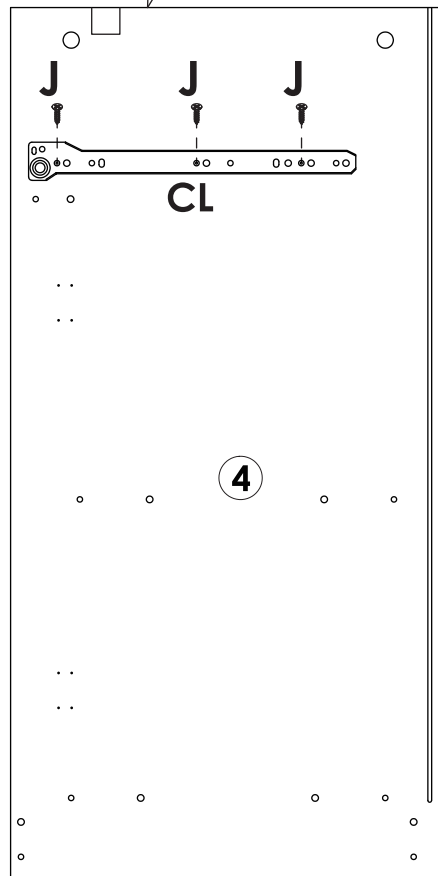
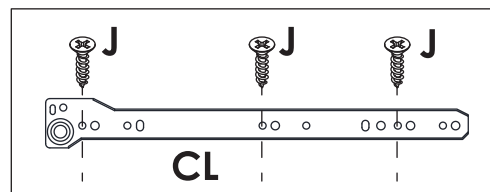
## STEP 28





	A x 5PCS
---	----------

# Assembly Steps(EN) / Montageschritte(DE)

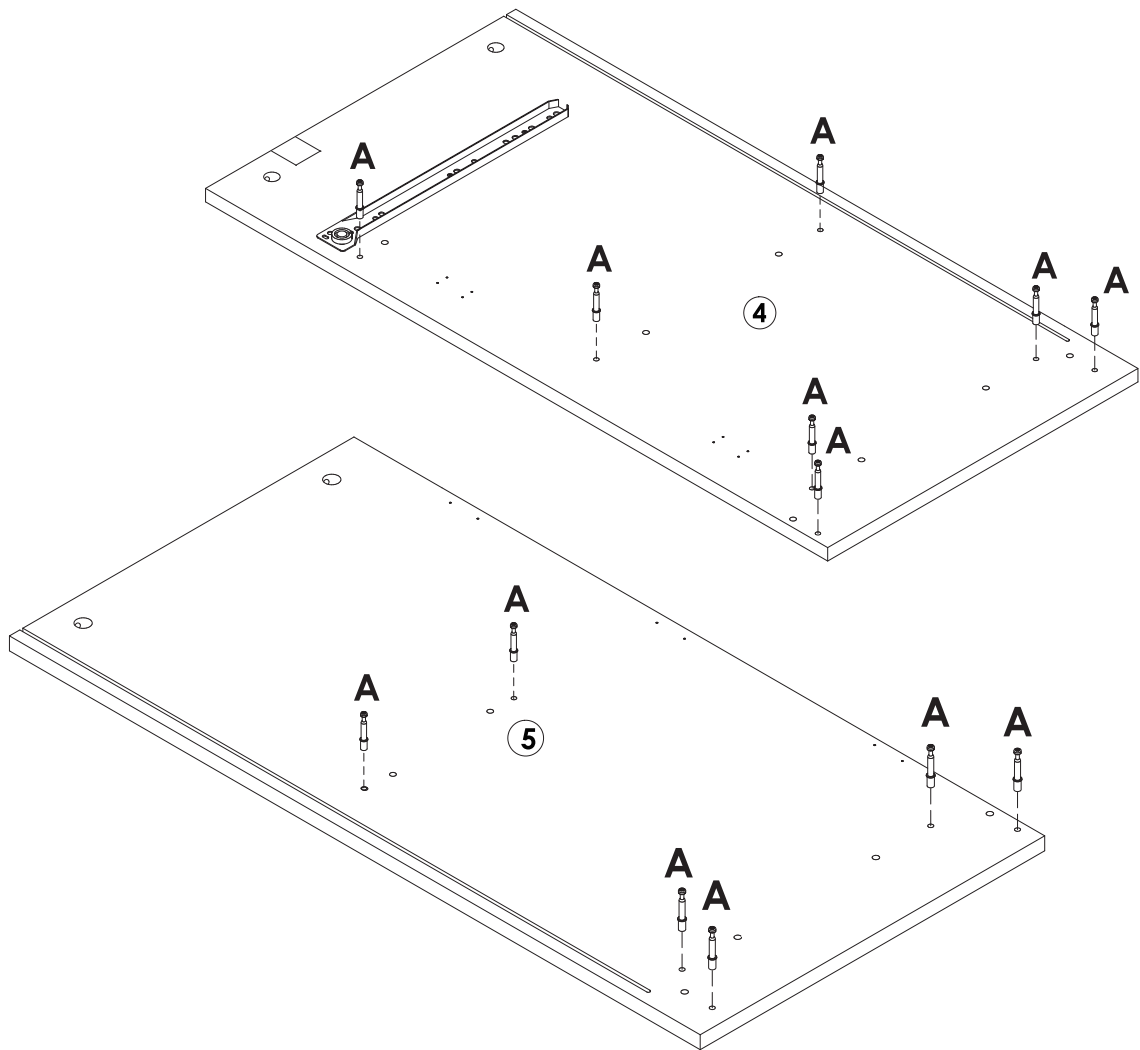
## STEP 29



	J x 3PCS
	CL x 1PC

# Assembly Steps(EN) / Montageschritte(DE)

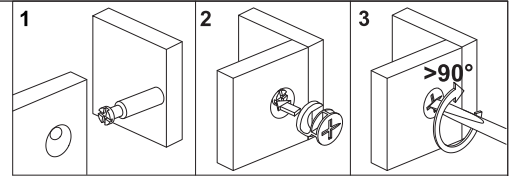
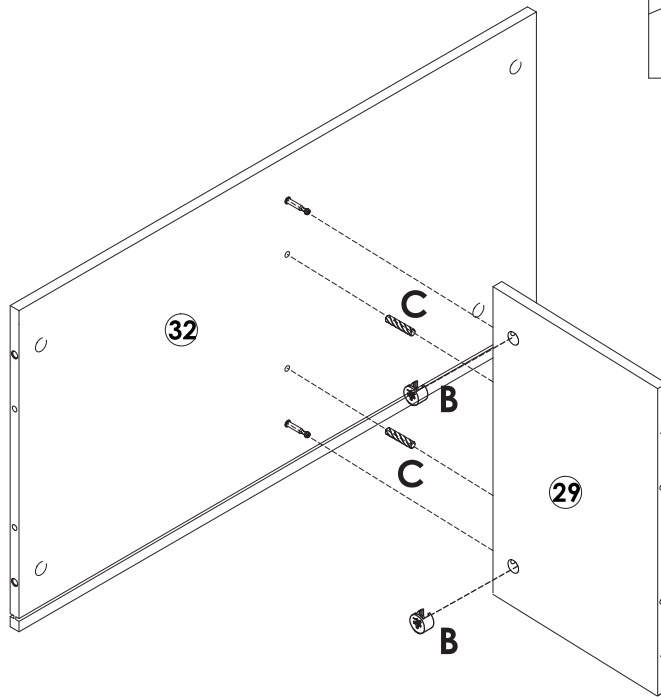
## STEP 30



A x 13PCS

# Assembly Steps(EN) / Montageschritte(DE)

## STEP 31

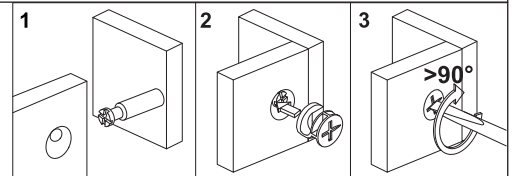
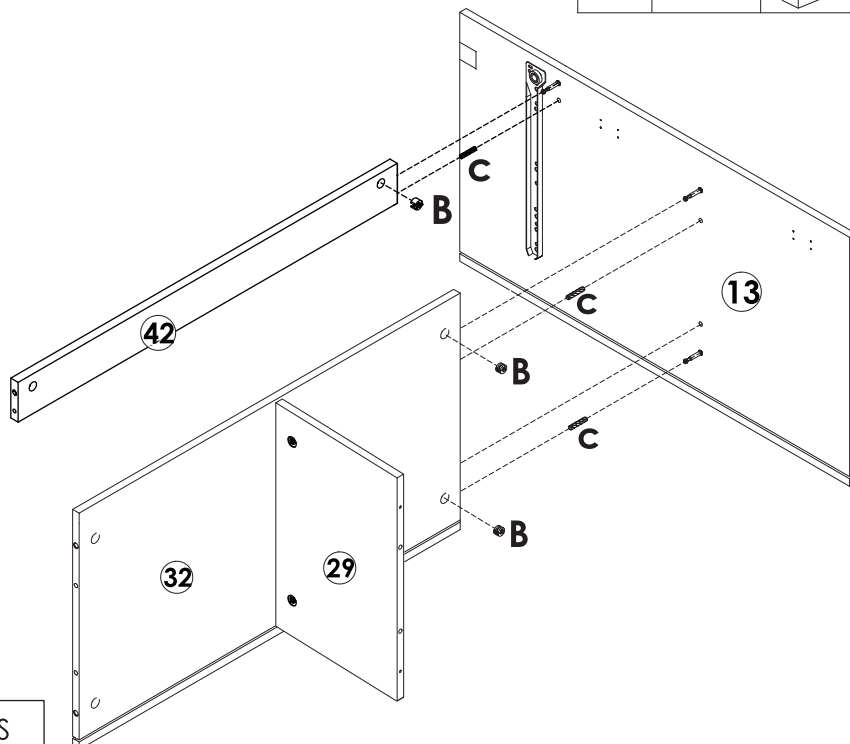


**B** x 2PCS



**C** x 2PCS

## STEP 32



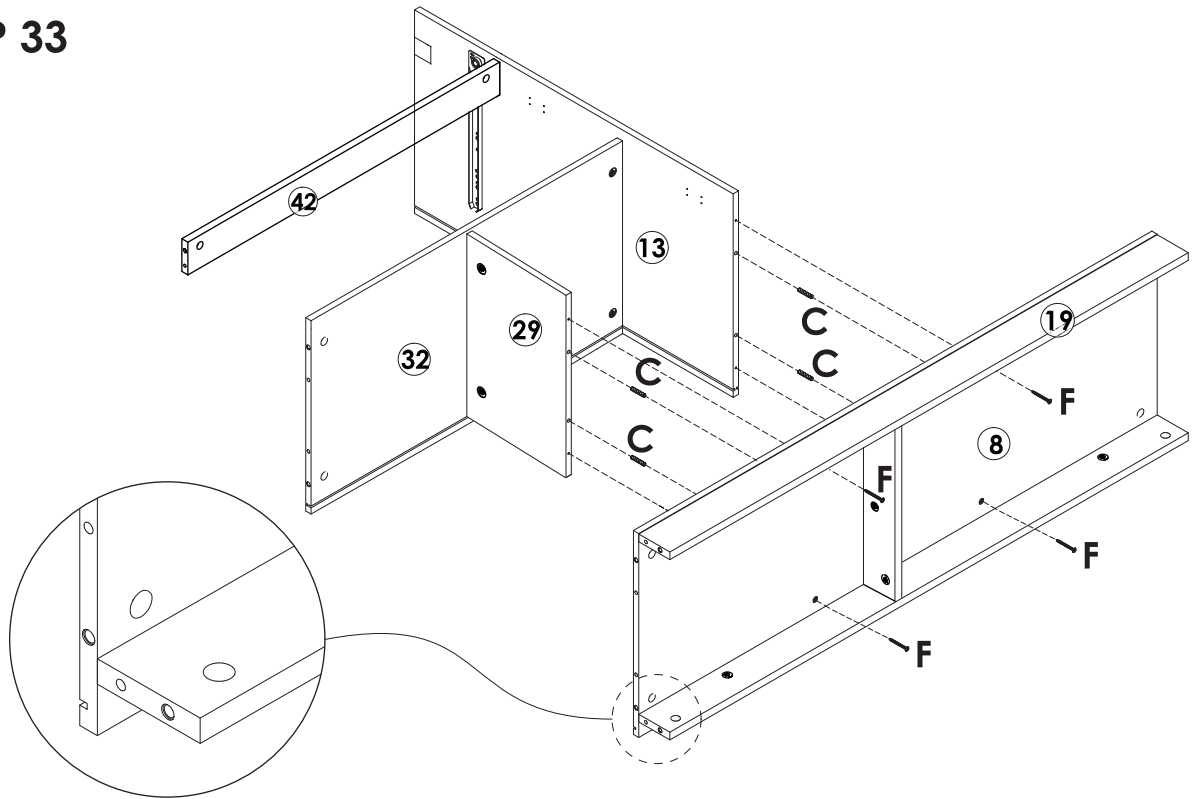
**B** x 3PCS





**C** x 3PCS

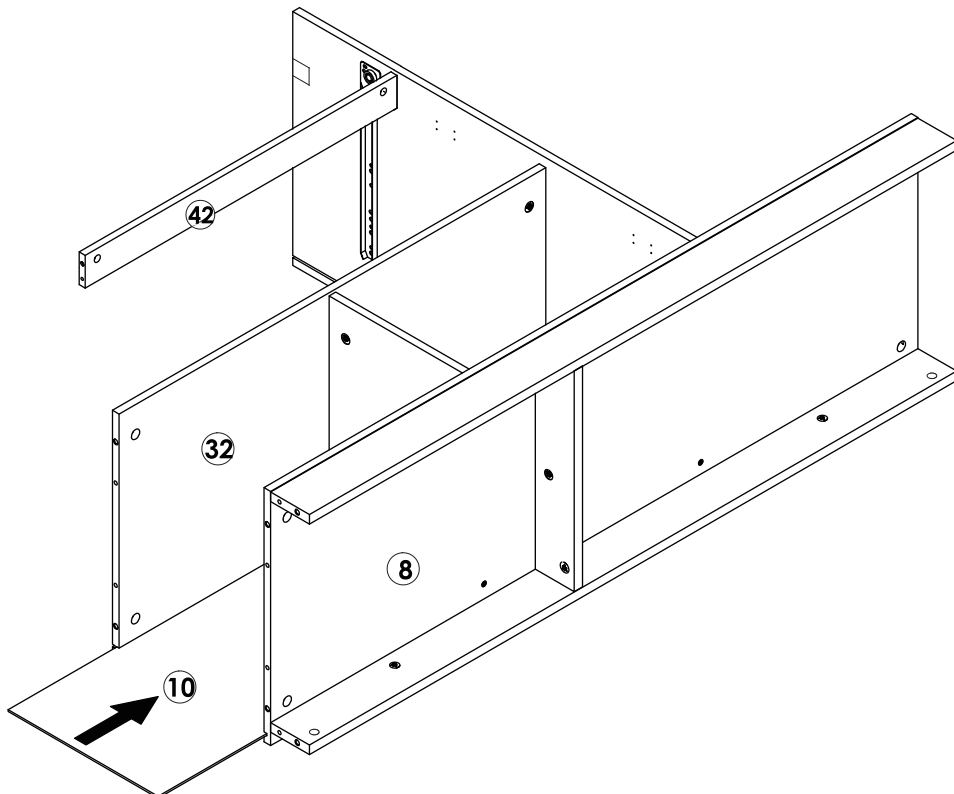
## Assembly Steps(EN) / Montageschritte(DE)

### STEP 33



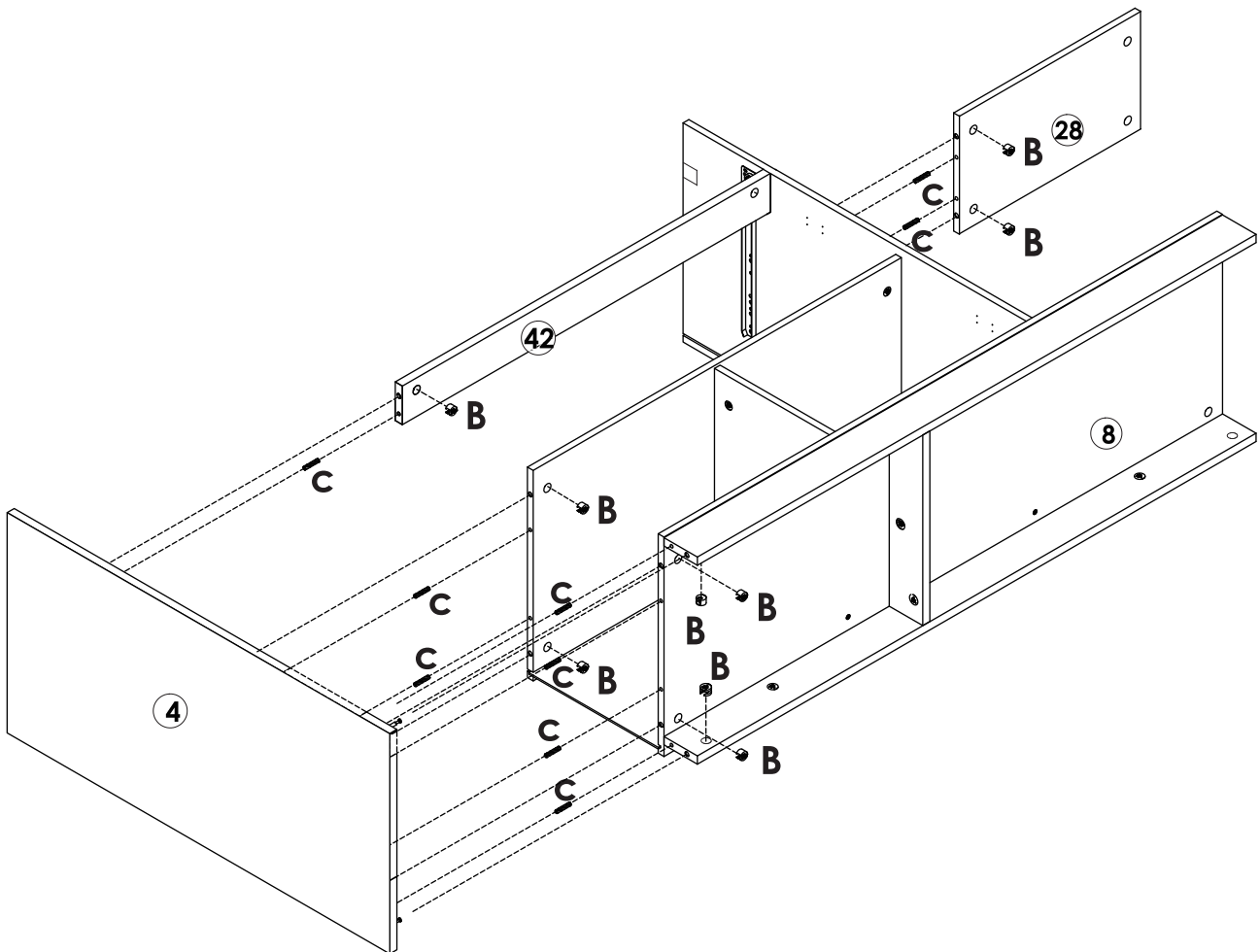
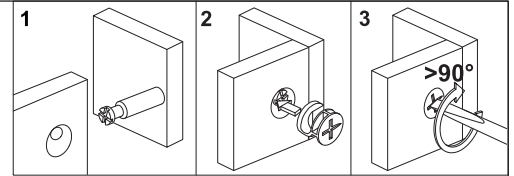
	C x 4PCS
	F x 4PCS



### STEP 34



# Assembly Steps(EN) / Montageschritte(DE)

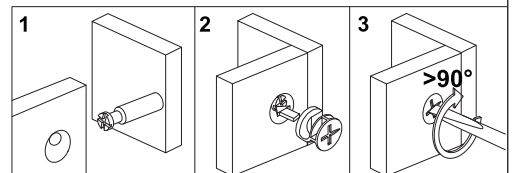
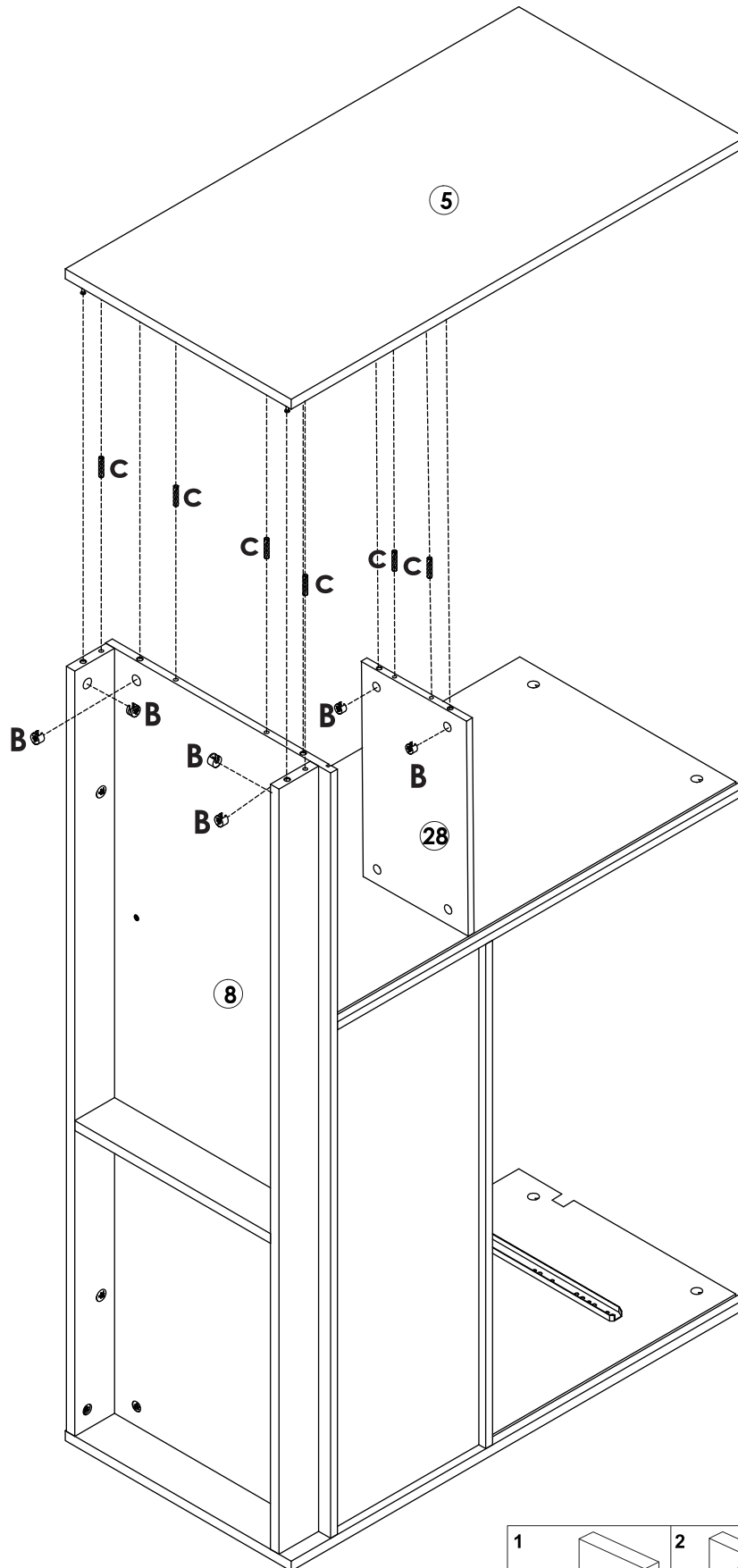
## STEP 35





	<b>B</b> x 9PCS
	<b>C</b> x 9PCS

# Assembly Steps(EN) / Montageschritte(DE)

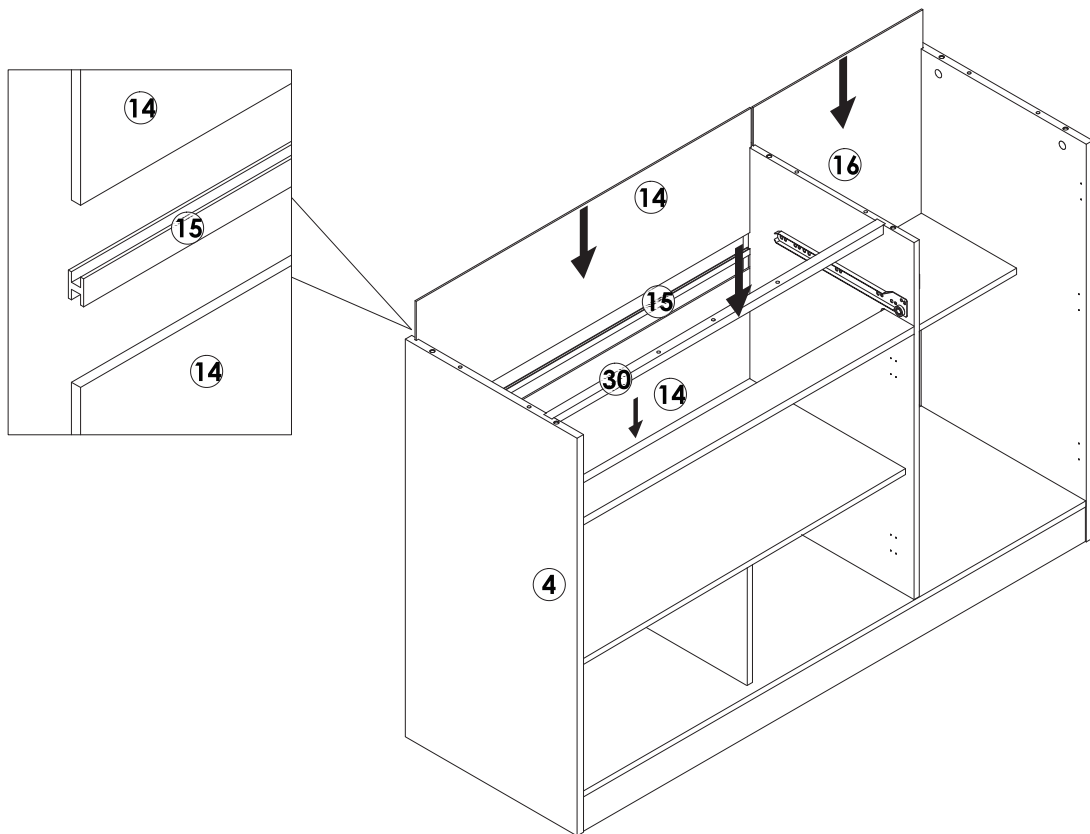
## STEP 36



	<b>B</b> x 6PCS
	<b>C</b> x 6PCS

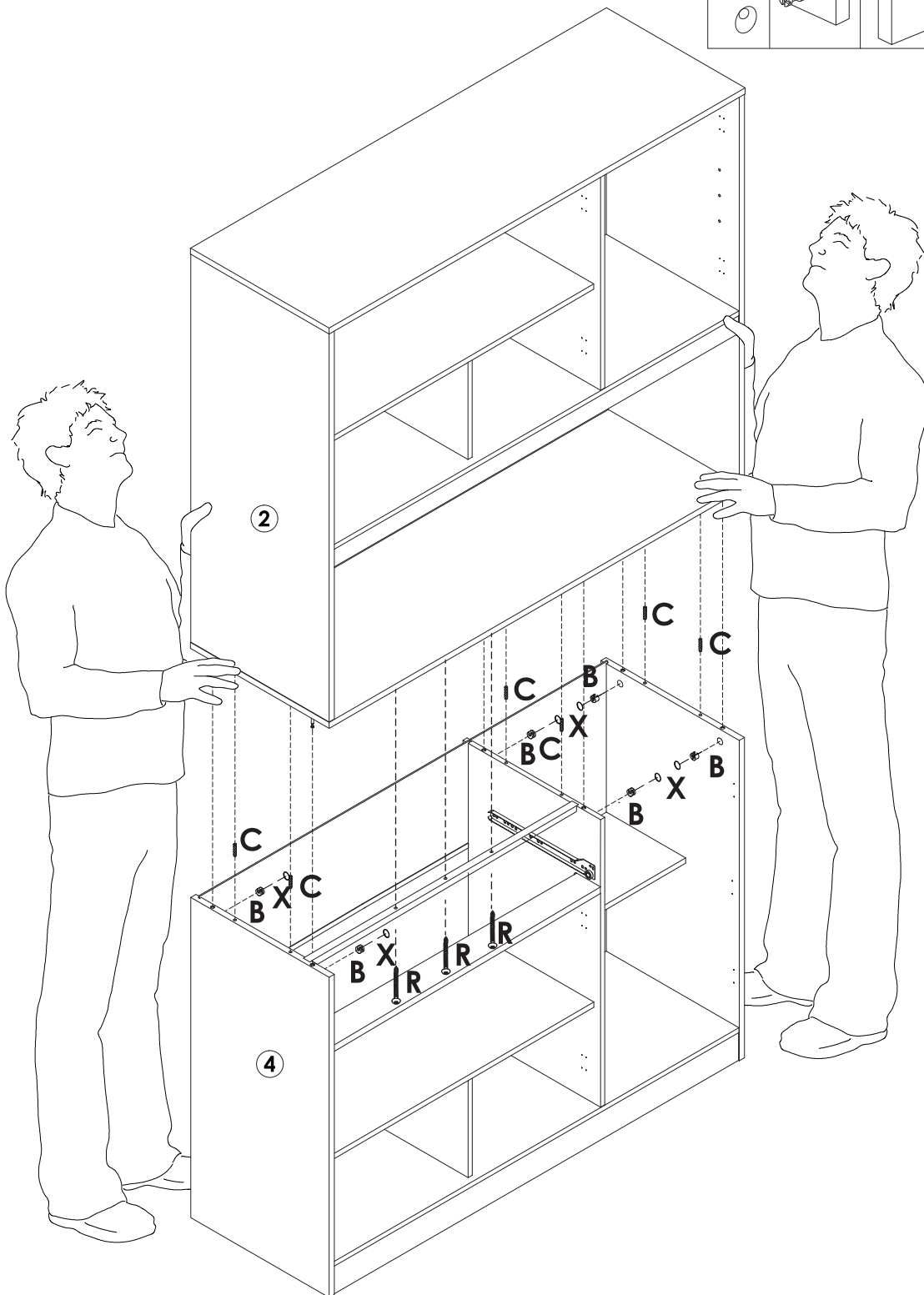
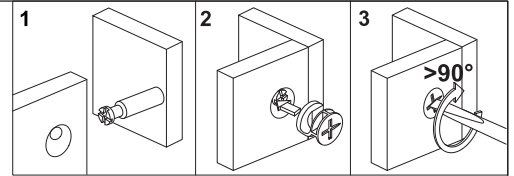
# Assembly Steps(EN) / Montageschritte(DE)





## STEP 37




# Assembly Steps(EN) / Montageschritte(DE)

## STEP 38



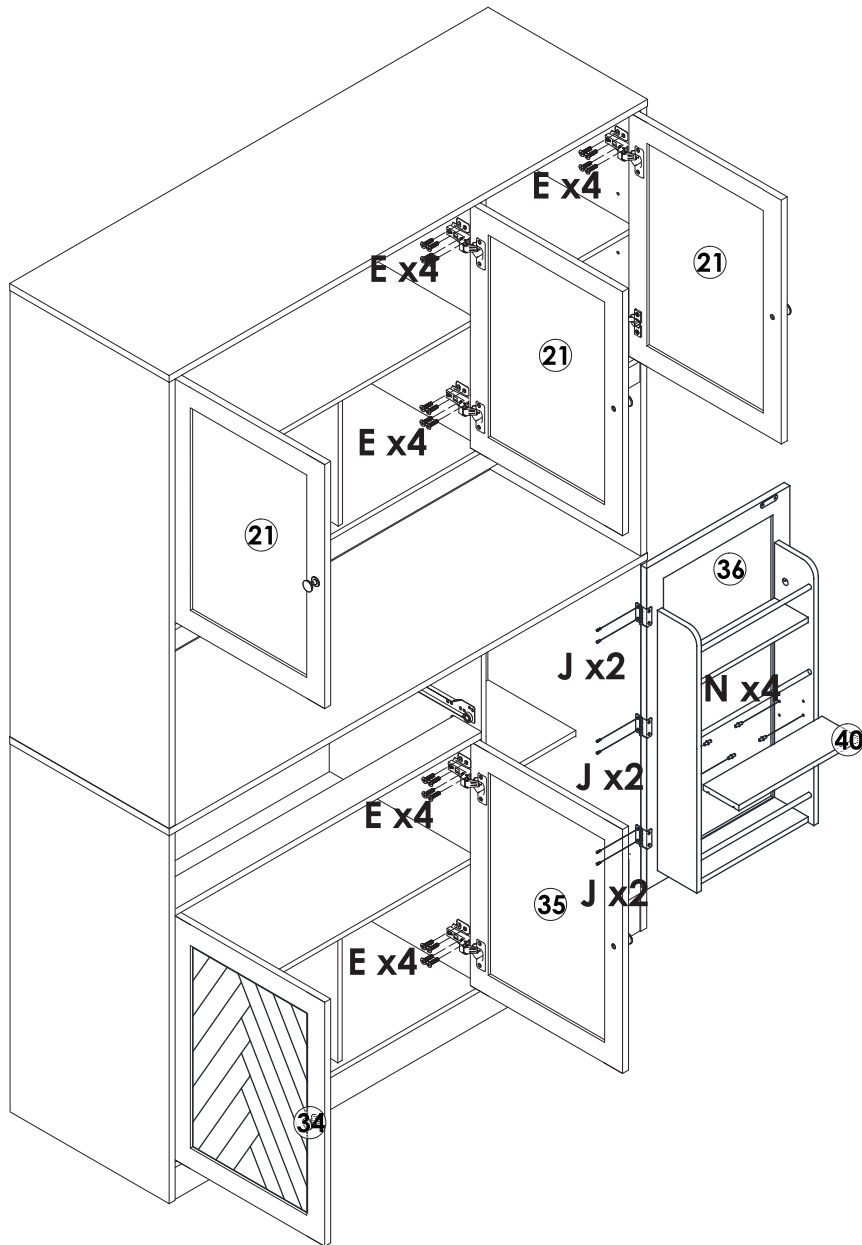
	<b>B</b> x 6PCS
	<b>C</b> x 6PCS
	<b>R</b> x 3PCS
	<b>X</b> x 6PCS





**EN** - 2 Person assemble.  
**DE** - 2 Personen montieren.



# Assembly Steps(EN) / Montageschritte(DE)

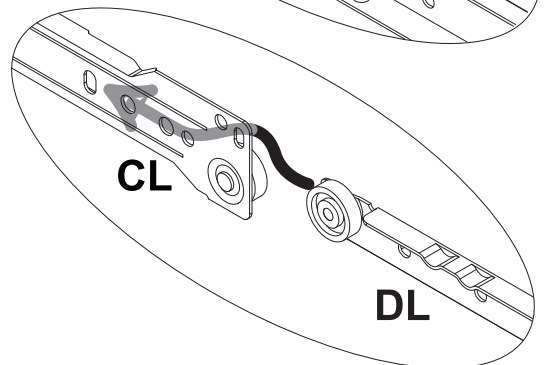
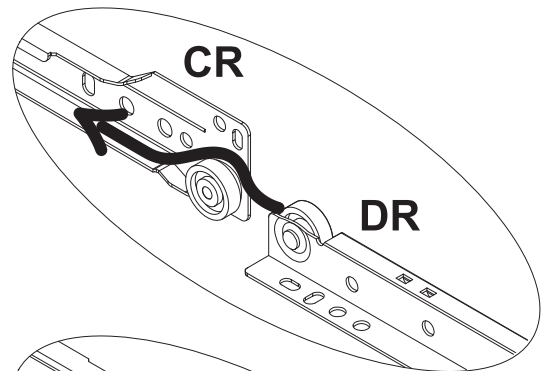
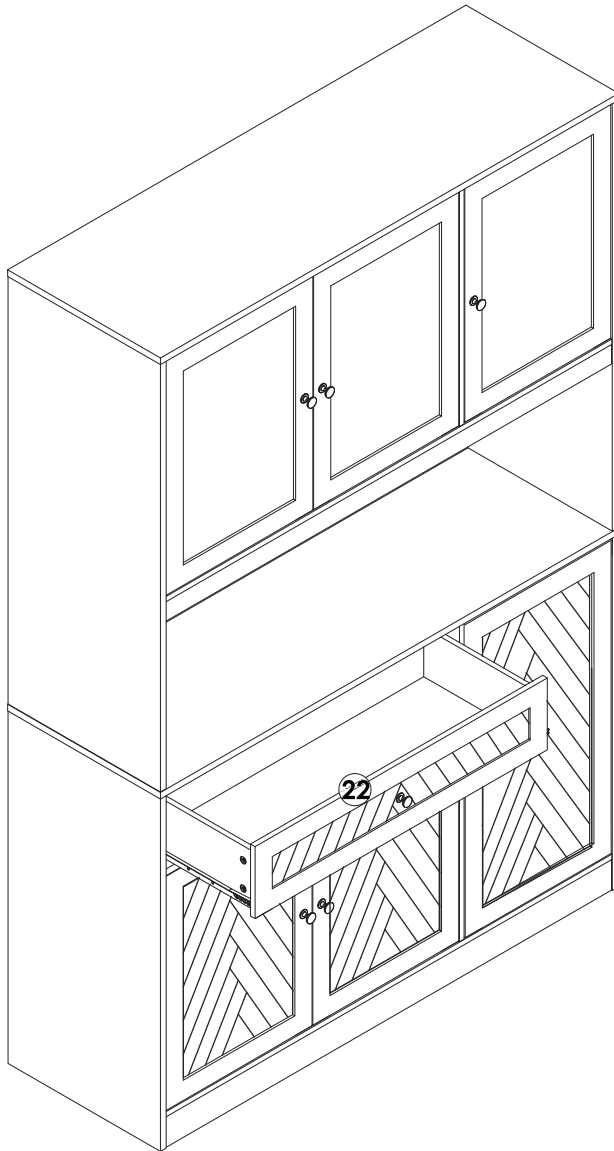
## STEP 40



	<b>E x 40PCS</b>
	<b>J x 6PCS</b>
	<b>N x 4PCS</b>

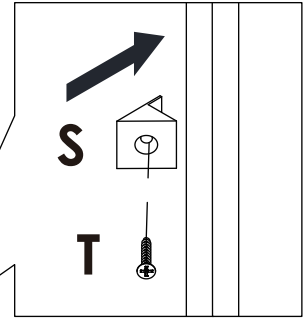
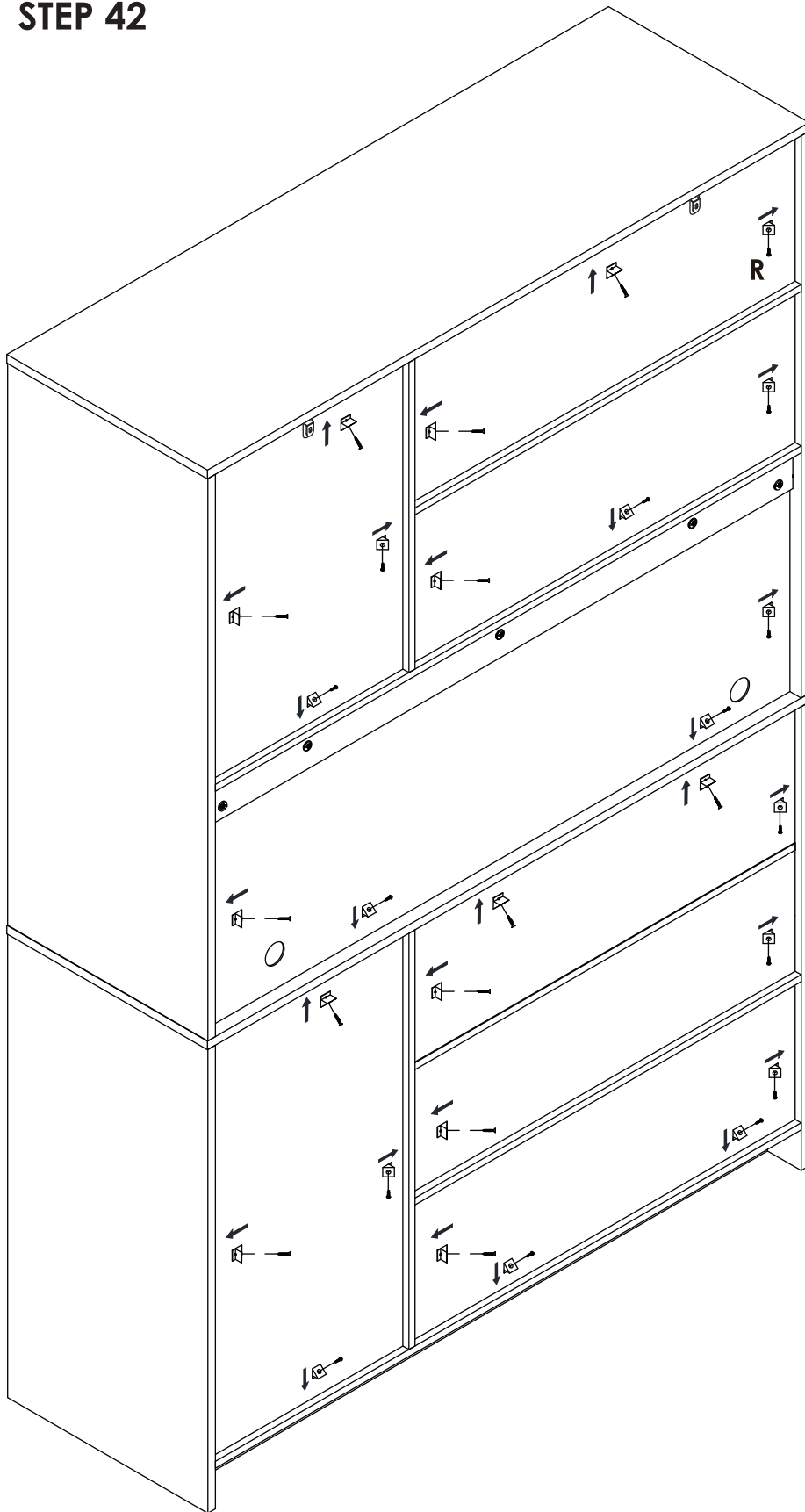
# Assembly Steps(EN) / Montageschritte(DE)


## STEP 41



# Assembly Steps(EN) / Montageschritte(DE)

## STEP 42

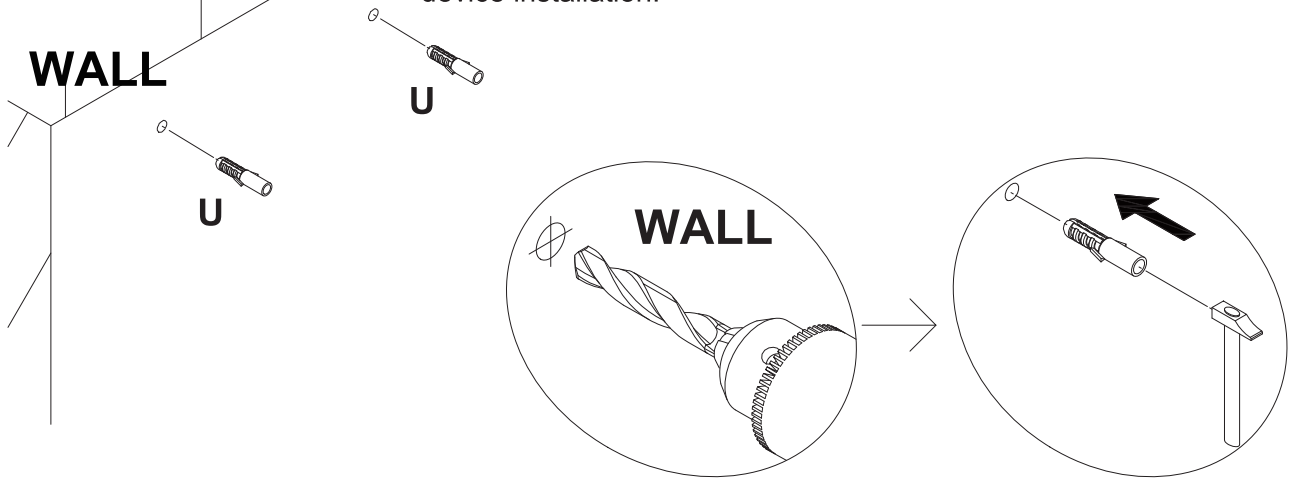


	<b>S</b> x 28PCS
	<b>T</b> x 28PCS

## Assembly Steps(EN) / Montageschritte(DE)

### STEP 43

Drill a hole on the wall at the required position for anti-falling device installation.

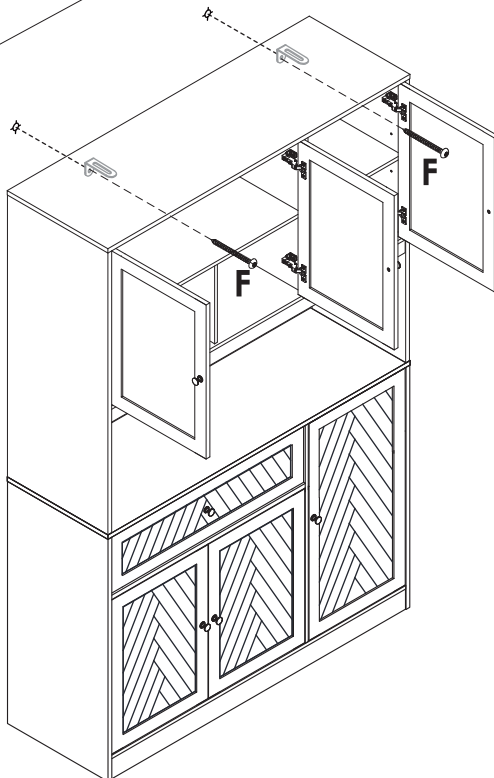


U x 2PCS

### STEP 44

Move the cabinet to the required position, use the "F" long screw to fix the cabinet to the wall.

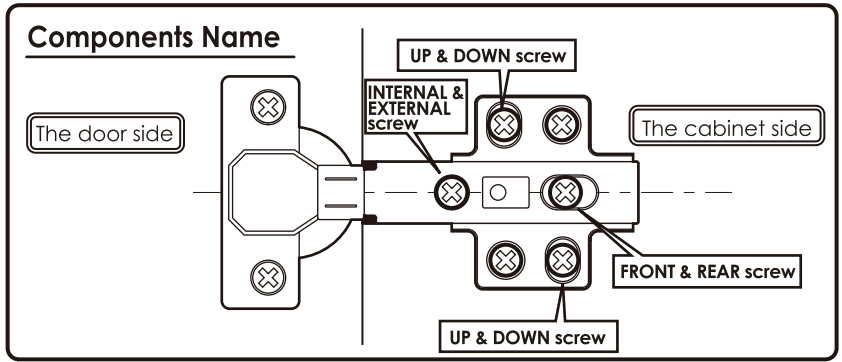
**WALL**



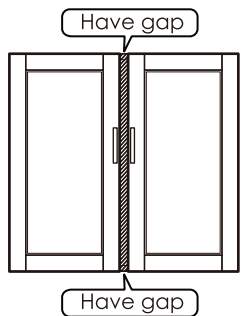
F x 2PCS

# The ways to adjust the door

- Before adjusting the hinge, please check whether the cabinet is skewed.
- If the skew can not be repaired, please remove the anti-tipping device first, then adjust the cabinet to vertical position.
- Please adjust the hinge with the door open.
- Please operate it with more than 2 people, one person holds the door and the other one adjusts the screw.



## Obvious gaps between doors or Doors don't look closed



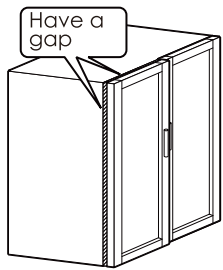
1 Turn "internal & external screw" to the right can make the door approach inside. Please adjust the doors little by little.

**The left door** (Turn right)

**The right door** (Turn right)

※ If the 2 doors are overlap, please turn the "internal & external screw" to the left.

## When door is crooked



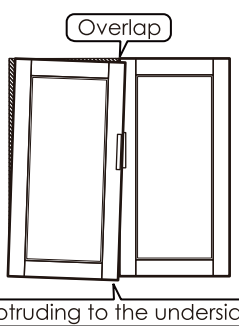
Please take the following steps to adjust first.

1 Rotate the "front and rear screws" to the left (Turn left)

2 Push the door to the cabinet

3 Rotate the "front and rear screws" to the right (Turn right)

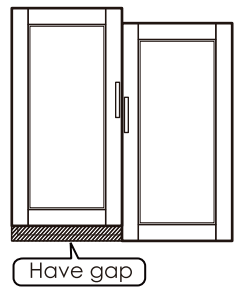
## When door is leaning



1 Turn "internal & external screw" to the left can make the top of the door tilted outward. (Turn left)

1 Turn "internal & external screw" to the left can make the bottom of the door tilted outward. (Turn left)

## When the door is higher on top



1 Turn "up & down screw" to the left (Turn left)

2 Lower the door's height so that 2 doors are of the same height.

3 Turn "up & down screw" to the right (Turn right)

※ If the door is lower on bottom, please lift up the left door slightly on step 2



## WARNING



Children have died from furniture tipover. To reduce the risk of furniture tipover:

- **ALWAYS** install Anti-tip device provided.
- **NEVER** put a TV on this product.
- **NEVER** allow children to stand, climb or hang on any drawers, doors, or shelves.
- **NEVER** open more than one drawer at a time.
- Place heaviest items in the lowest drawers.



***This is a permanent label.  
Do not remove!***