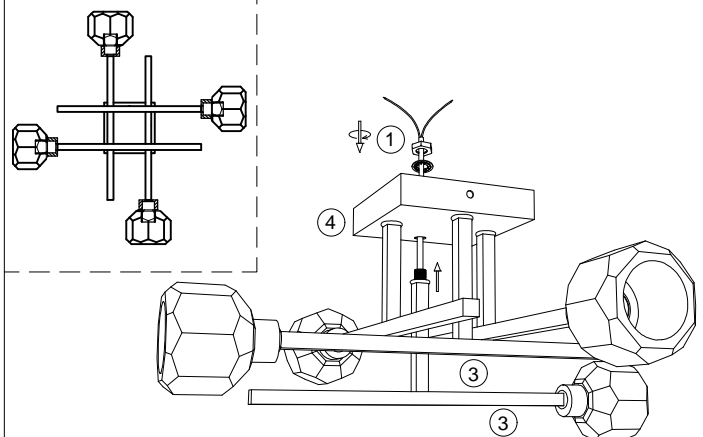
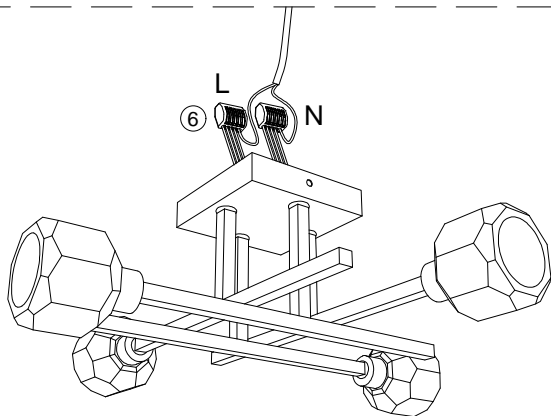
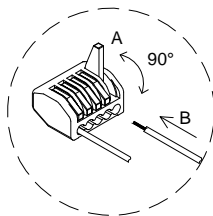


1. Install short light arms ② to the canopy ④ with lock nut & teeth lock washer ①.

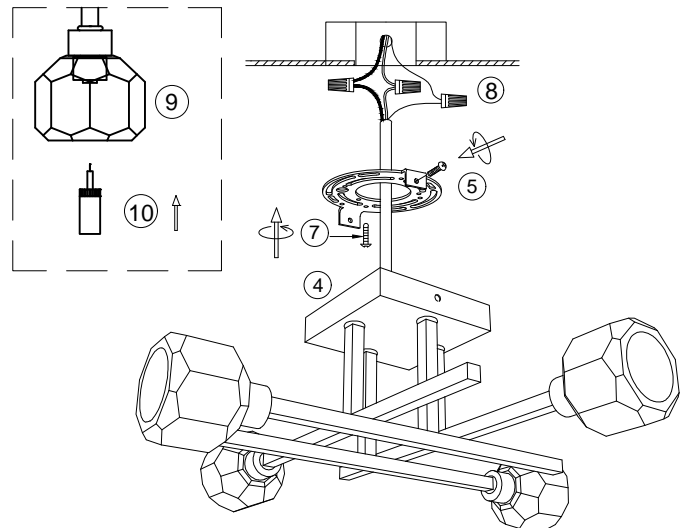


2. Install long light arms ③ to the canopy ④ with lock nut & teeth lock washer ①, install the ground wire to the canopy ④.

1. Pull the orange operating handle A to open the inlet hole, insert the wire B.
 2. Press the operating handle A to finish wiring.
- (Note: one inlet hole can put 2 or 3 wires inside)



3. Connect all the wires by parallel with connectors ⑥ (all live line-L use one connector, and neutral Line-N use another connector).



4. Install the bracket to the ceiling junction box with screw ⑦.
5. Connect the wire to your home line with cap connector ⑧.
6. Install the fixture to the bracket with screw ⑤.
7. Install the G9 bulb ⑩.

X6023-4

Please read carefully before installation!!!

Note : Please make sure that the electricity is powered off during installation !

Only a professional electrician should install this kind of product !