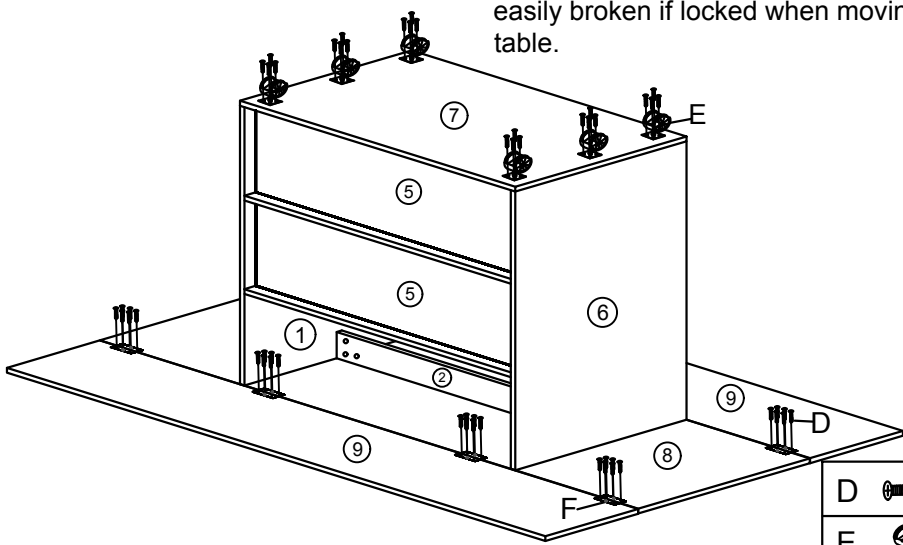


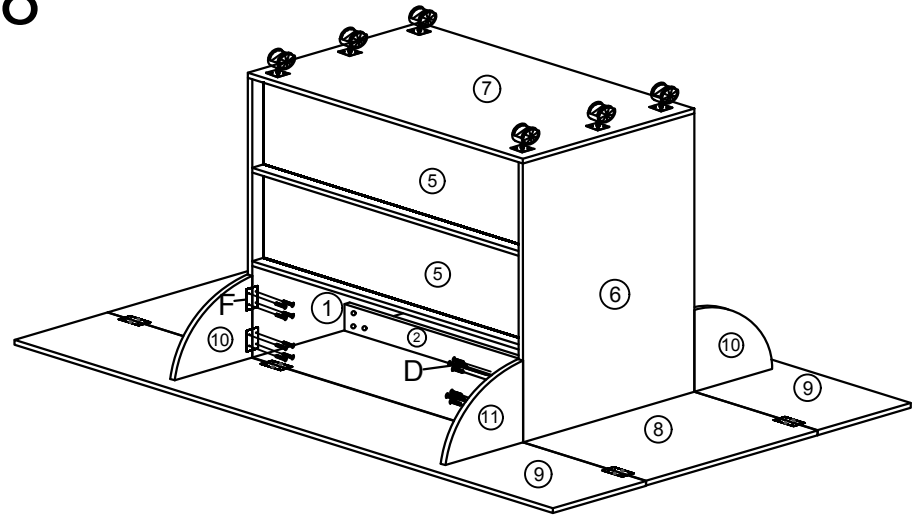
7

Note: Pls confirm the wheels are unlocked and slidable before installing. The wheel is easily broken if locked when moving the table.



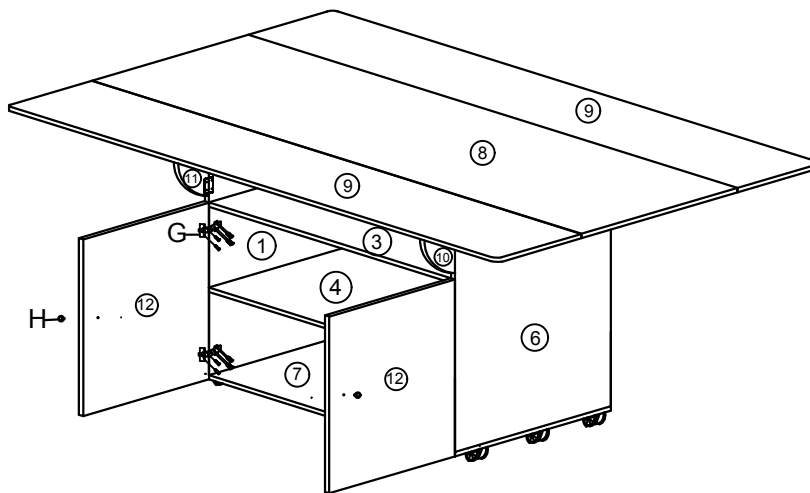
D		72pcs
E		6pcs
I		8pcs

8



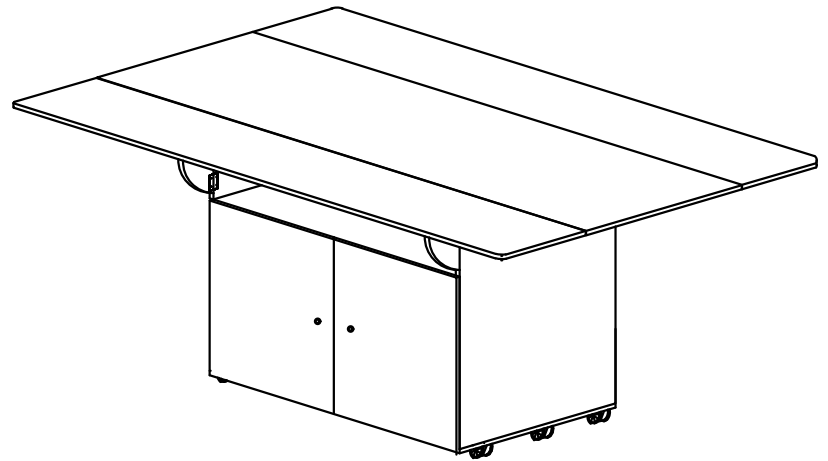
D		32pcs
F		8pcs

9



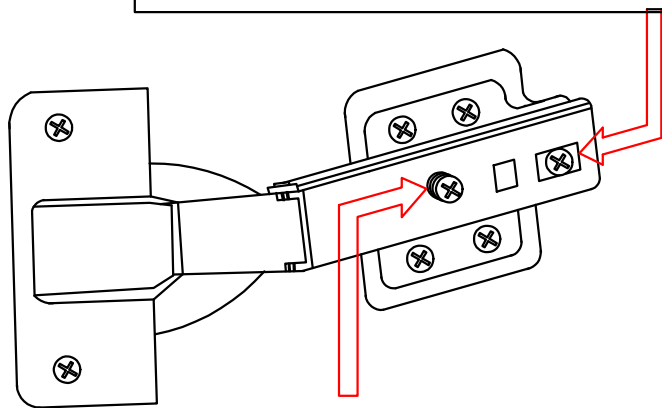
G		4sets
H		2sets

10



## How to adjust the door.

Loosen the screw counterclockwise to adjust the front panel of the moving door.  
After the adjustment is completed, tighten the screw clockwise.



Rotate clockwise to adjust the door panel to move to the right,  
Turn counterclockwise to adjust the door panel to move to the left.