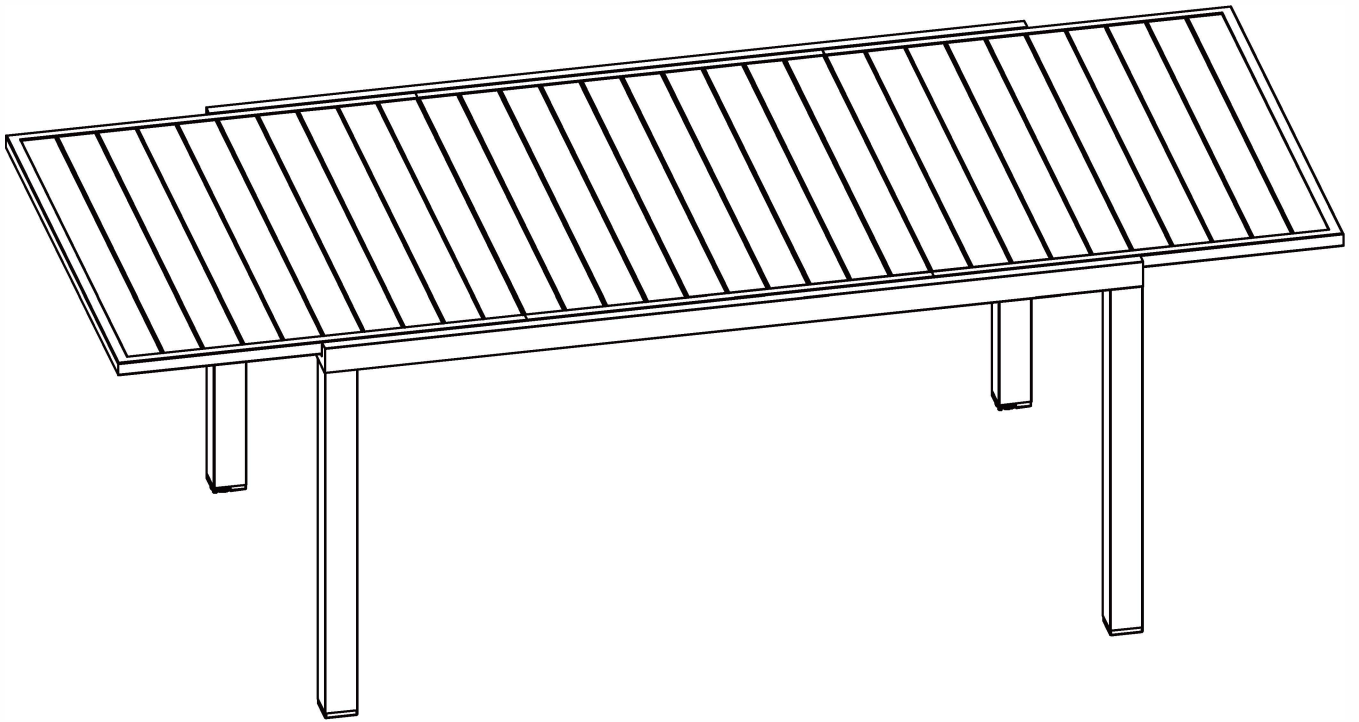
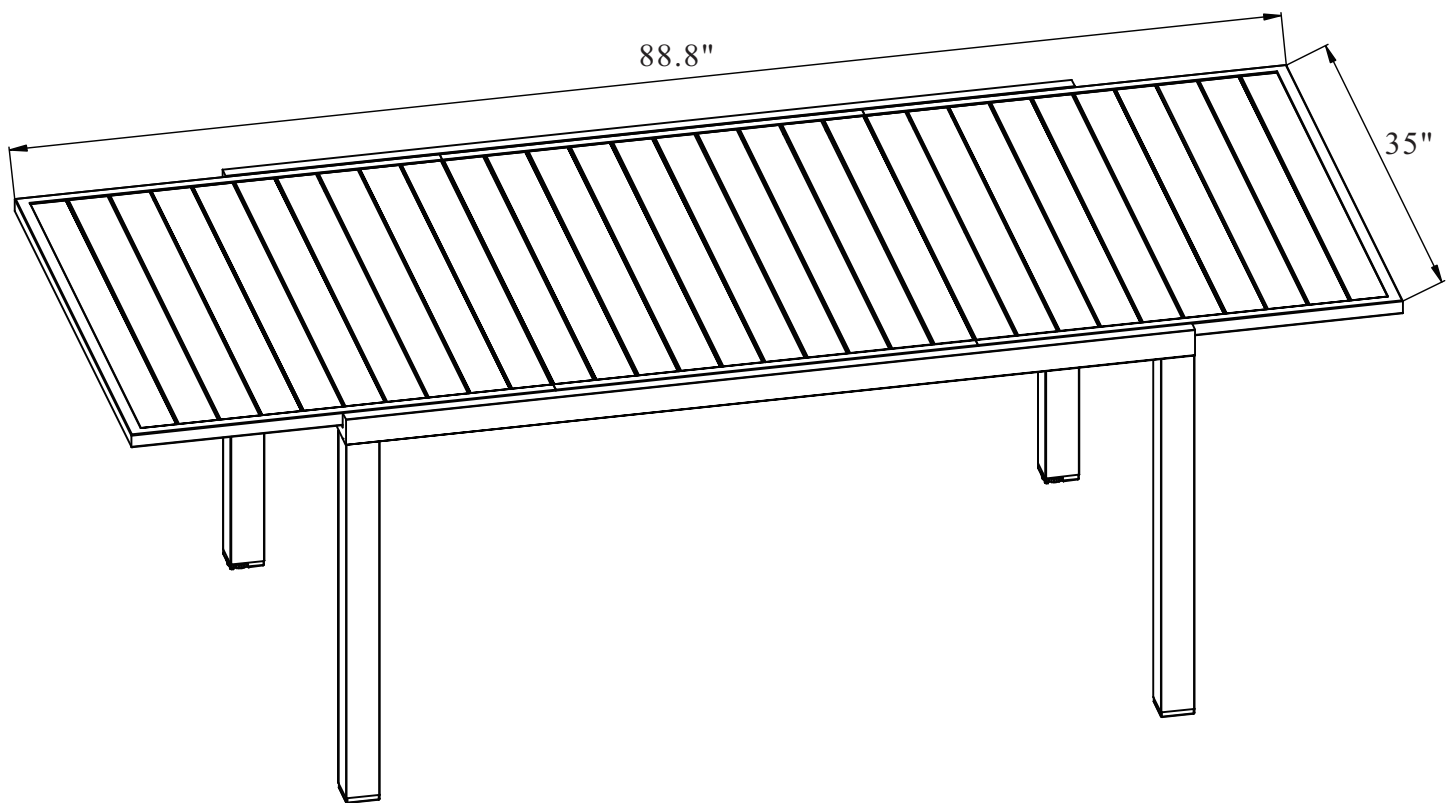
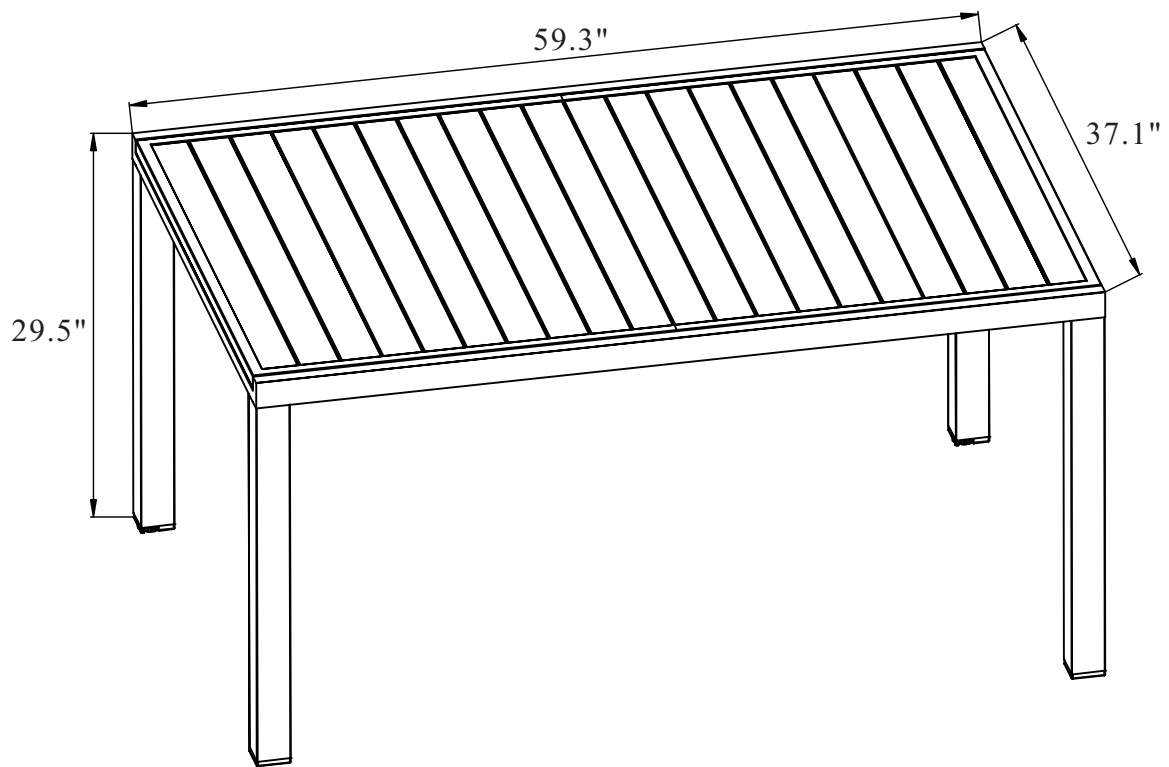
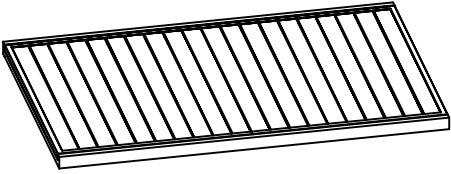




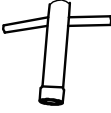



7.4'×3' Extendable Aluminum Dining Table

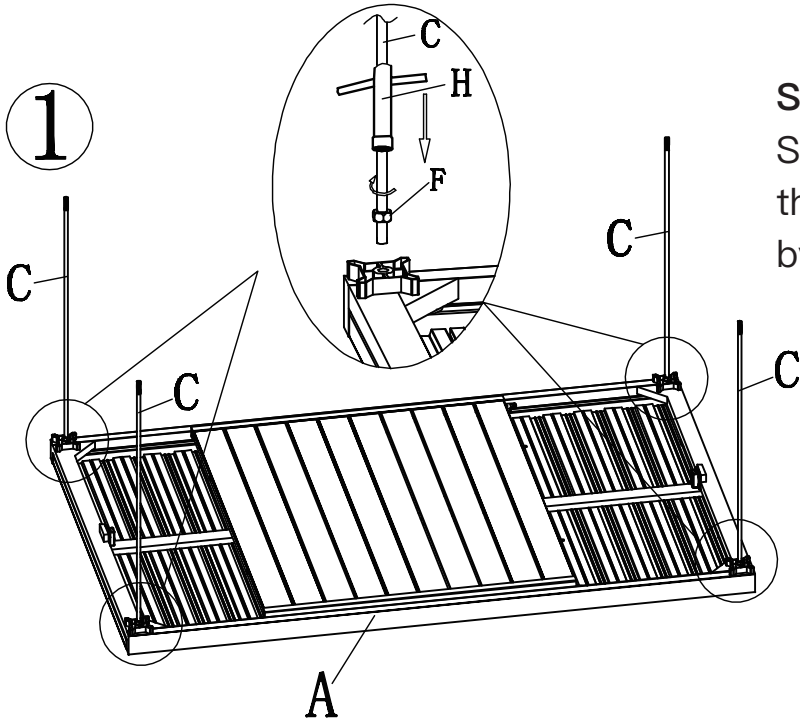
# Assembly Instructions





				D 4PCS		F 8PCS	
A	1PC	B	4PCS	C	4PCS	E	H
							1PC

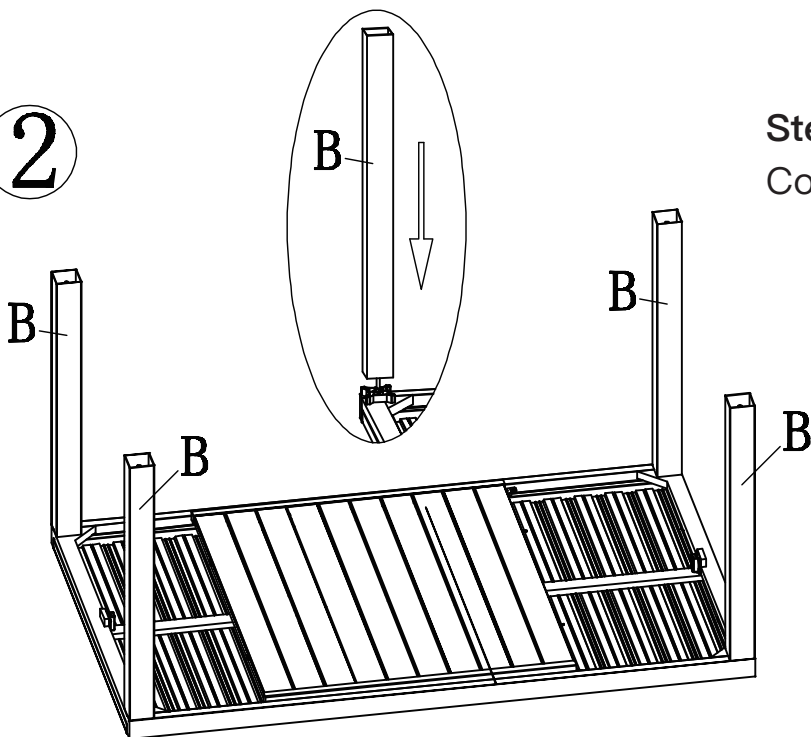
1



**Step 1:**

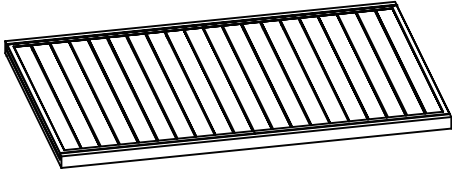




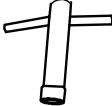


Screw part F (Nut) to part C, then assemble part C to part A(Desk) by Nut F using part H(Socket Wrench)

2

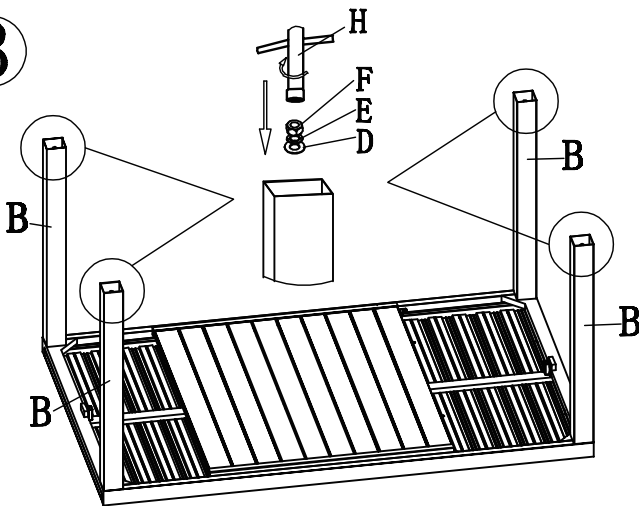


**Step 2:**

Cover part C with part B(Table Leg)

				<b>D</b> 4PCS		<b>F</b> 8PCS	
<b>A</b> 1PC	<b>B</b> 4PCS	<b>C</b> 4PCS		<b>E</b> 4PCS		<b>G</b> 4PCS	<b>H</b> 1PC

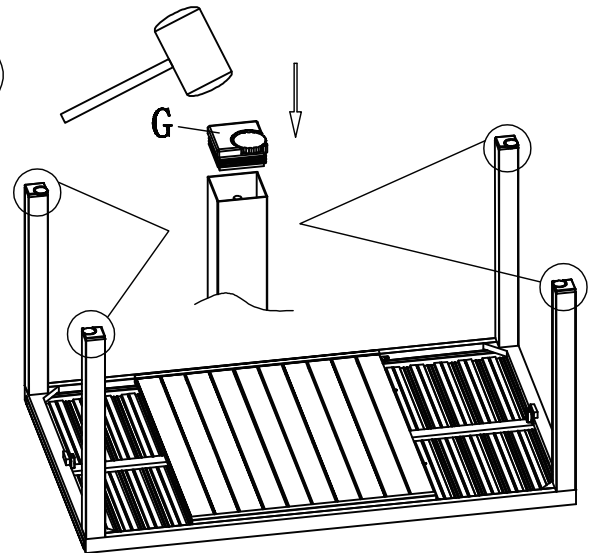
3



**Step 3:**

Put D(flat Washers) and E(Split Lock Washers) as shown in the diagram, Then lock part F(Nut) to part C using part H (Socket Wrench)

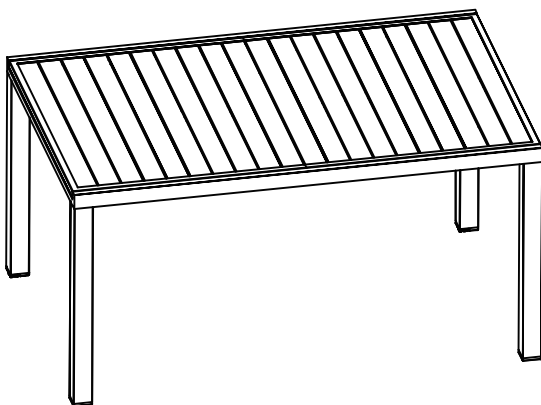
4



**Step 4:**

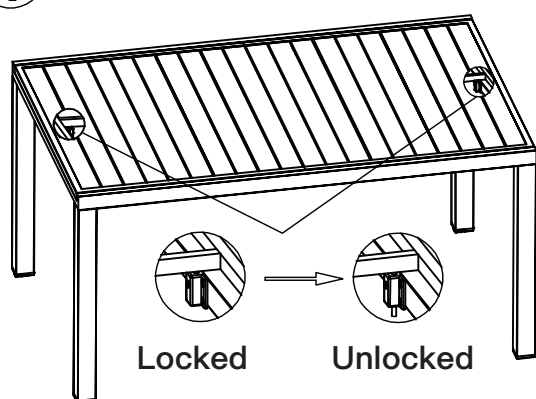
Knock part G (Foot pad) into part B using a hammer as shown in the diagram. (Hammer is not included)

5



# How to use the Extendable Table?

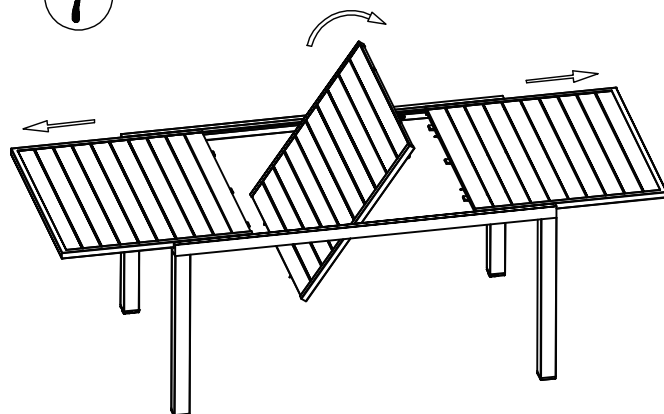
⑥



## Step 6:

Press the button under the table to unlock it as shown in the diagram.

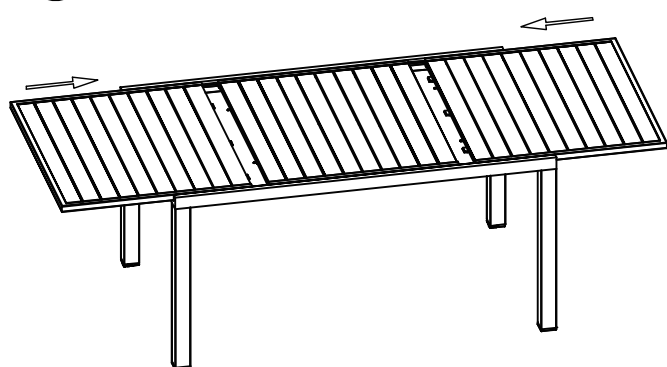
⑦



## Step 7:

Pull and flip the desktop as shown in the diagram.

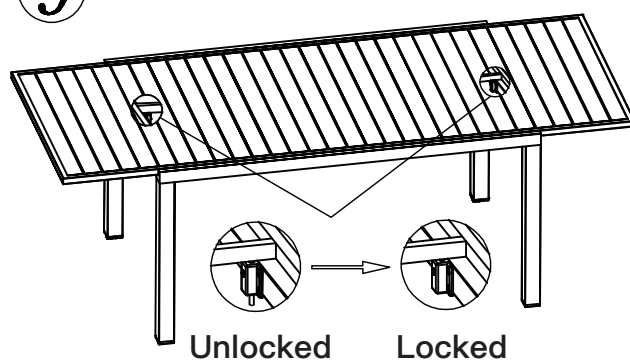
⑧



## Step 8:

Close the desktop on both sides as shown in the diagram.

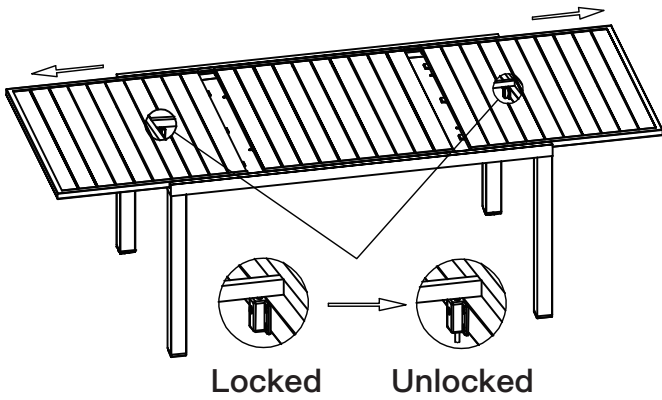
⑨



## Step 9:

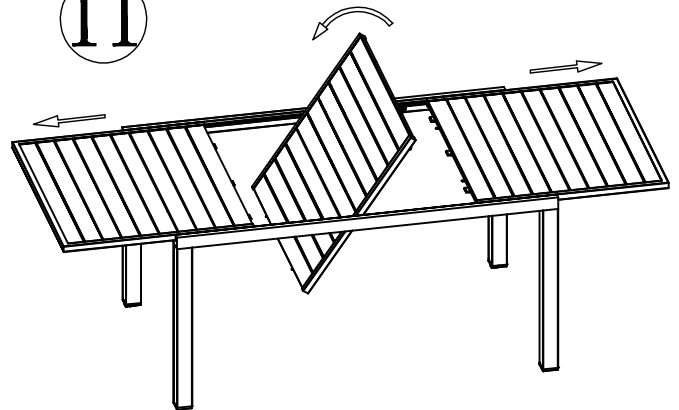
Lock the table as shown in the diagram.

10



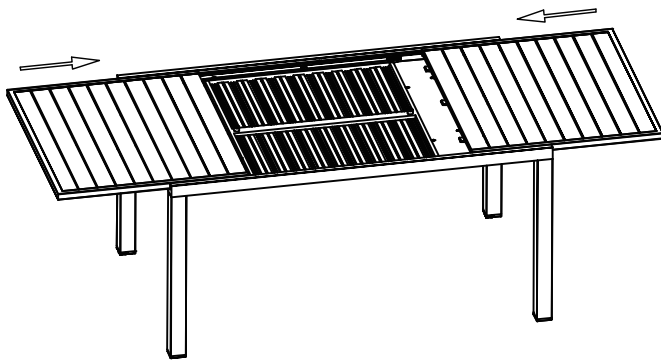
**Step 10:**  
Press the button under the table to unlock it.

11



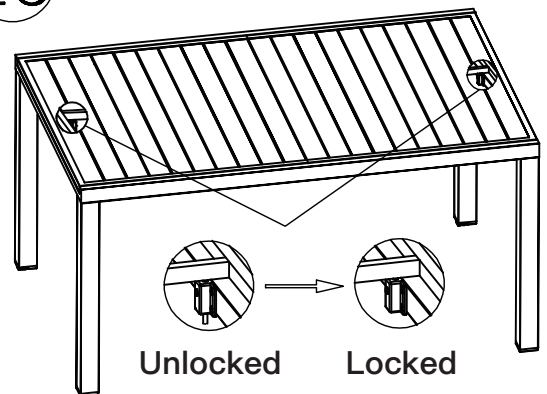
**Step 11:**  
Pull and flip the desktop as shown in the diagram.

12



**Step 12:**  
Close the desktop on both sides as shown in the diagram.

13



**Step 13:**  
Lock the table as shown in the diagram.