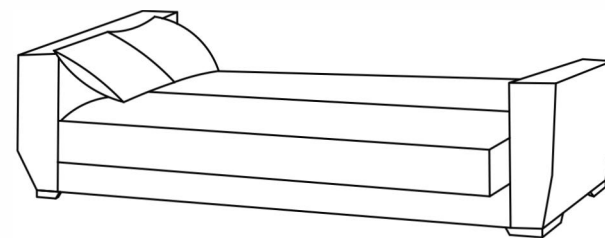
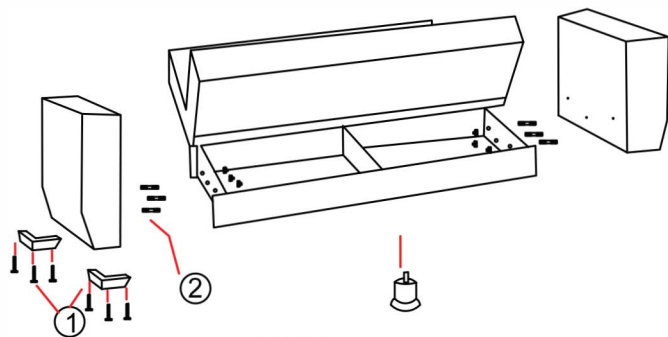
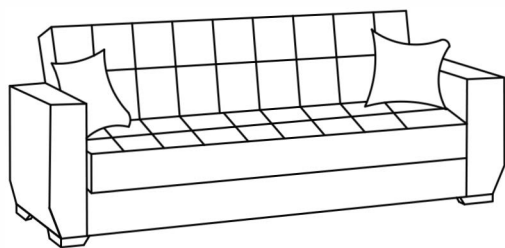


# ASSEMBLY INSTRUCTIONS



## HARDWARE PACKAGE CONTENT

-  LEG (4)
-  SCREW (6)
-  WINGNUT (6)
-  SCREW (12)
-  SUPPORTLEG (1)

