

H3L

QH-279N
QH-279WA

TABLE OF CONTENTS

01	Important Safety Instructions	01	Tools Needed
----	-------------------------------	----	--------------

02	Parts List	04	Assembly
----	------------	----	----------

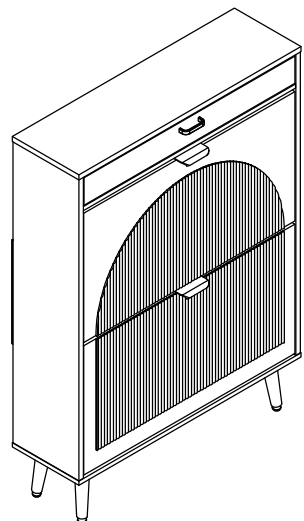
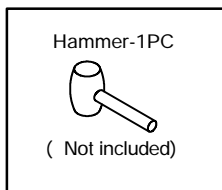
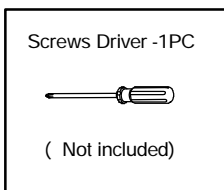
20	Warranty Information		
----	----------------------	--	--

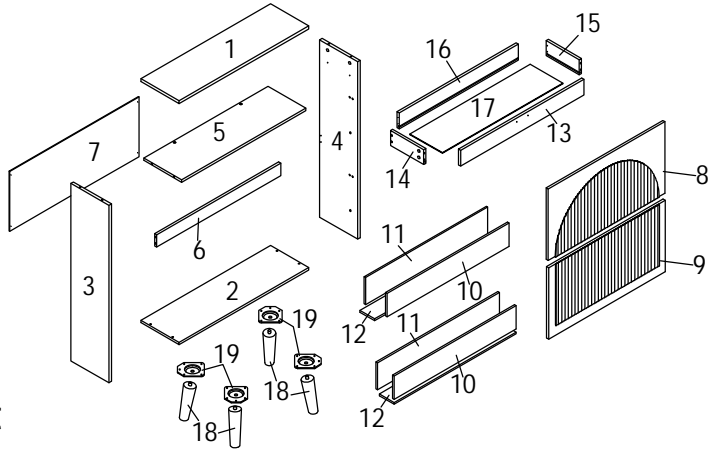
Thank you so much for choosing our product. If you encounter any questions during use, feel free to contact us. We will try our best to solve it.
Customer Service Line: +1-888-292-2399
Customer Service Email: service7770@outlook.com

IMPORTANT SAFETY INSTRUCTIONS

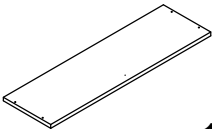
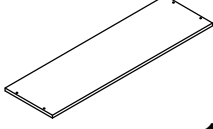


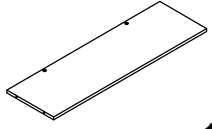
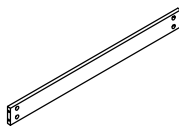
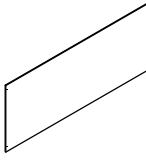
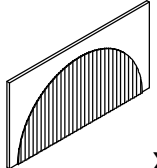
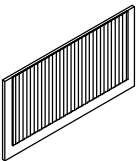
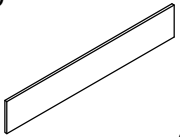
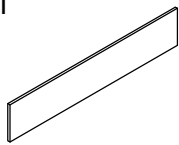
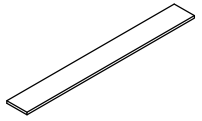
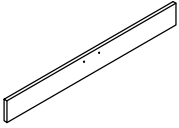
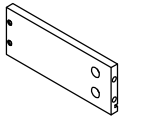
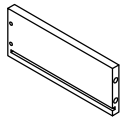
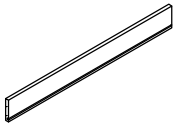
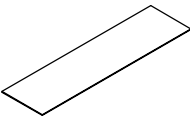

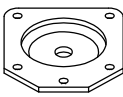
- Check if all the parts are complete before installation.
- Read through the instructions before installing the cabinet.
- Keep the small parts away from children to avoid the risk of swallowing.
- Screw the cabinet to the wall to avoid the risk of falling down.





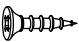





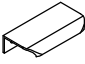


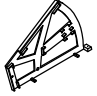

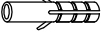
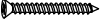
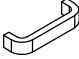
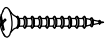
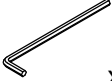

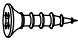
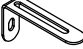
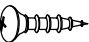
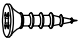
TOOLS NEEDED



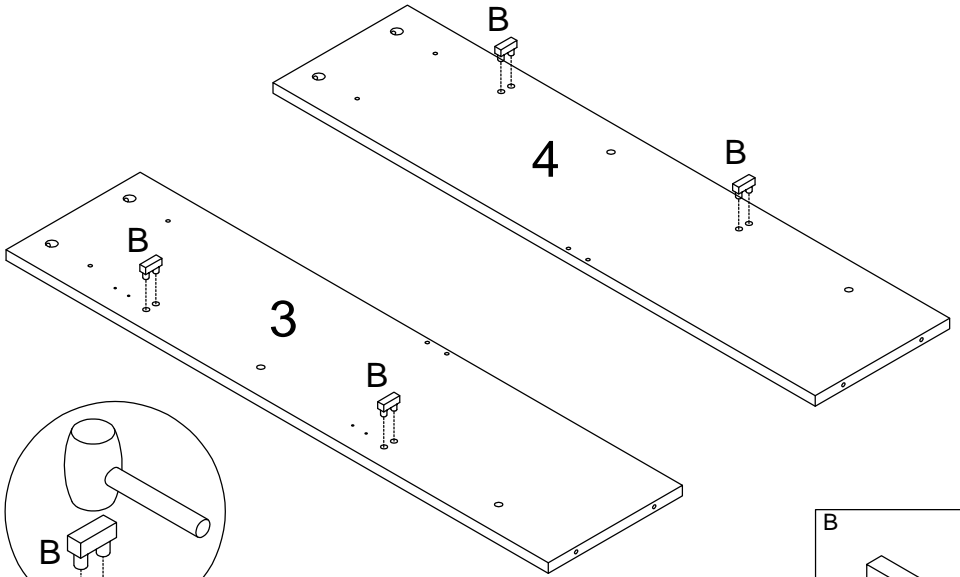


Packing List

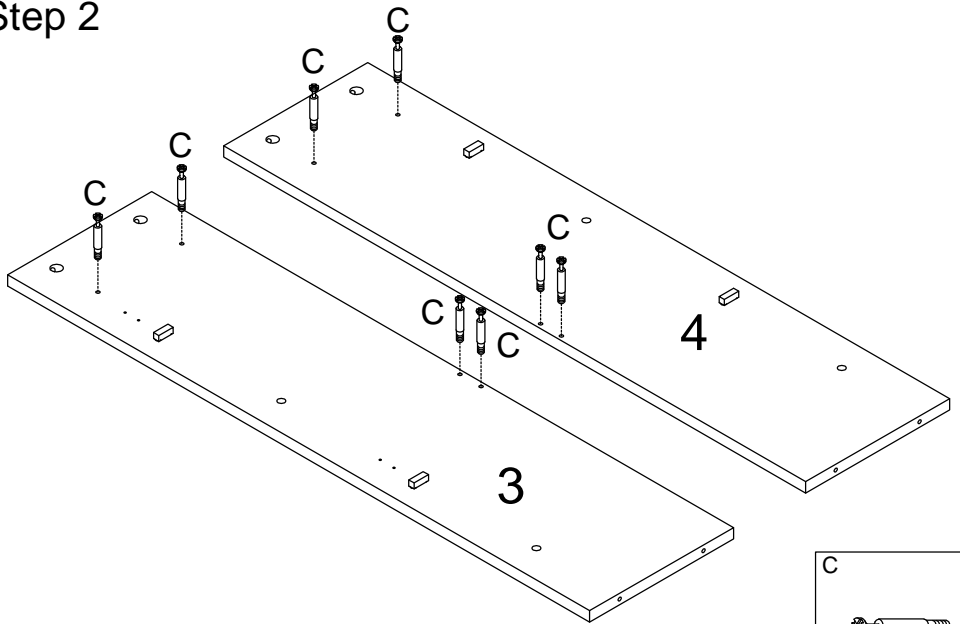
1  x1	2  x1	3  x1	4  x1
5  x1	6  x1	7  x1	8  x1
9  x1	10  x2	11  x2	12  x2
13  x1	14  x1	15  x1	16  x1
17  x1	18  140mm x4	19  x4	

<p>A M6x18  x4</p>	<p>B  x4</p>	<p>C  x16</p>	<p>D  x16</p>	<p>E M4x14  x13</p>
<p>F  x1</p>	<p>G M7x50  x4</p>	<p>H  x2</p>	<p>I  x2</p>	<p>J  x4</p>
<p>K  x2</p>	<p>L M4x16  x2</p>	<p>M  x2</p>	<p>N  x2</p>	<p>O  x4</p>
<p>P  x2</p>	<p>Q M3.5x40  x4</p>	<p>R  x1</p>	<p>S M4x40  x2</p>	<p>T  x1</p>
<p>U M6x10  x2</p>	<p>W M3x14  x20</p>	<p>X  x2</p>	<p>Y M4x12  x4</p>	<p>Z M3.5x12  x26</p>

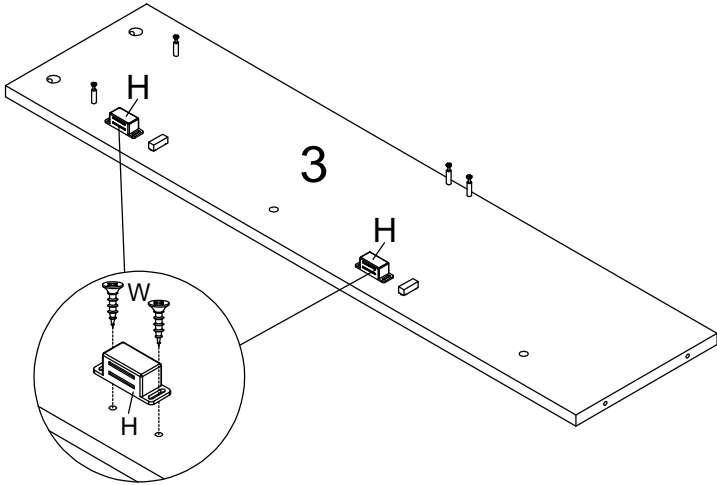
Step 1

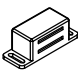
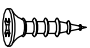


Step 2

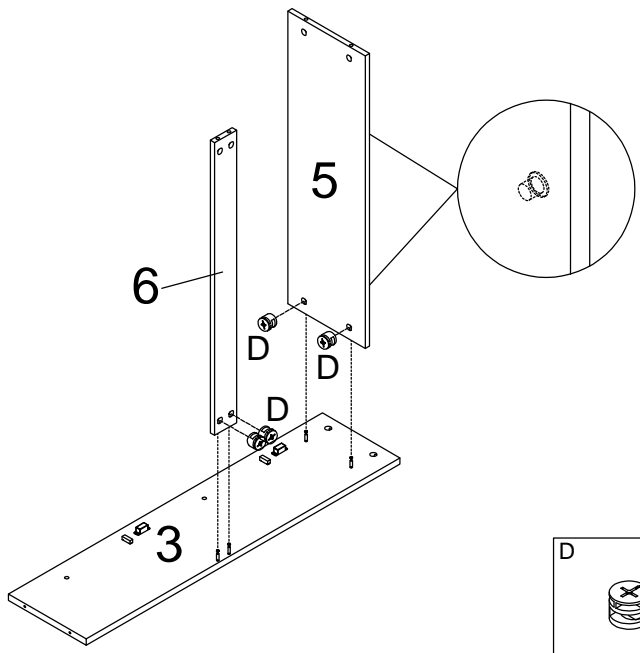



Step 3



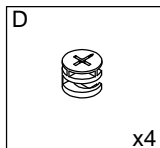
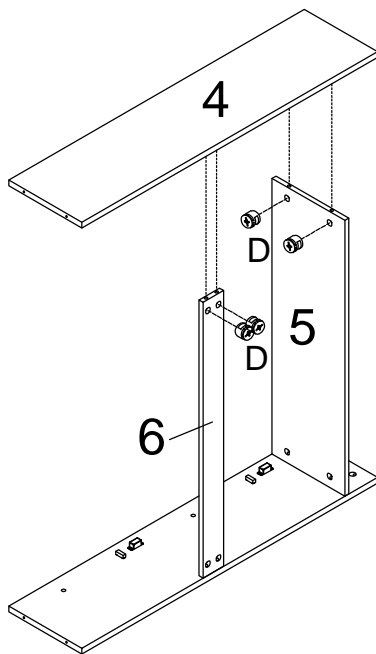
H  x2	W M3x14  x4
---	--

Step 4

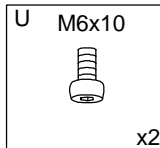
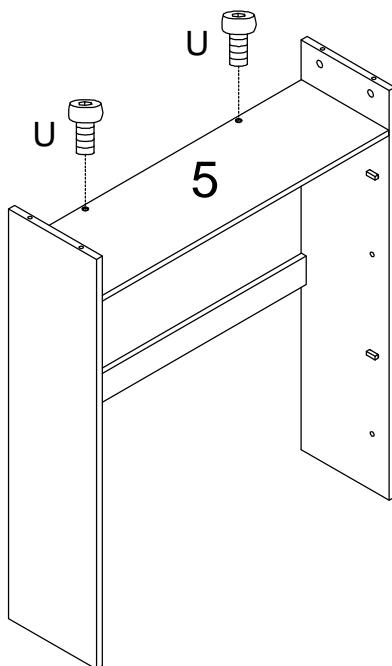
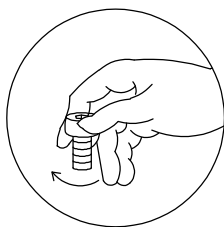


D  x4
--

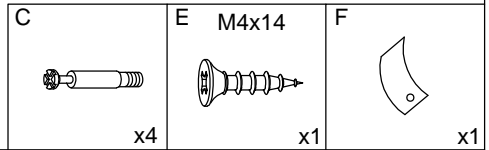
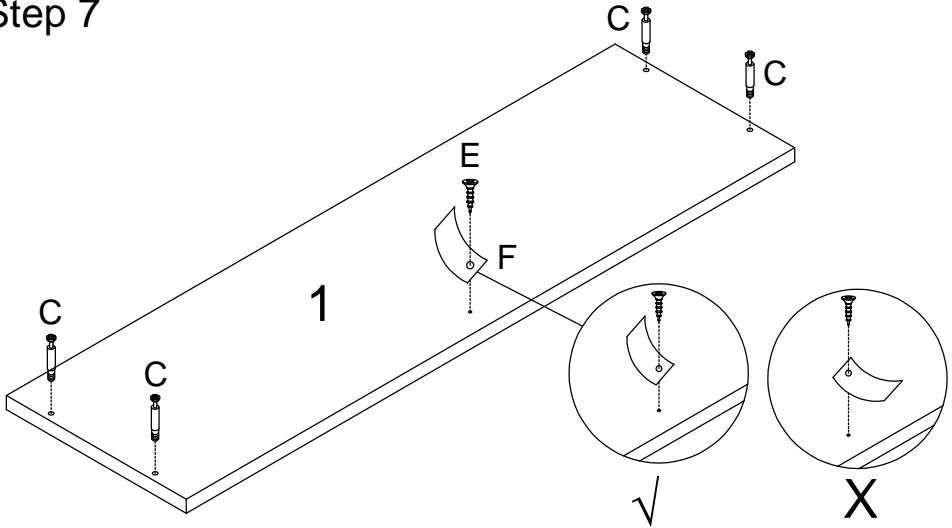
Step 5



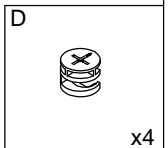
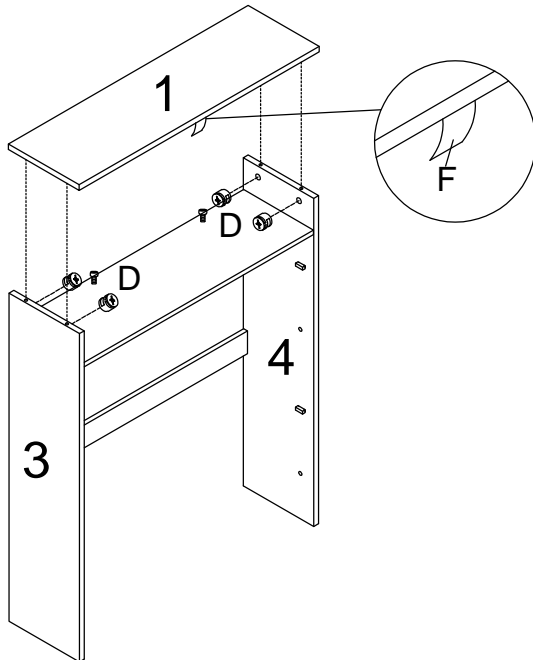
Step 6



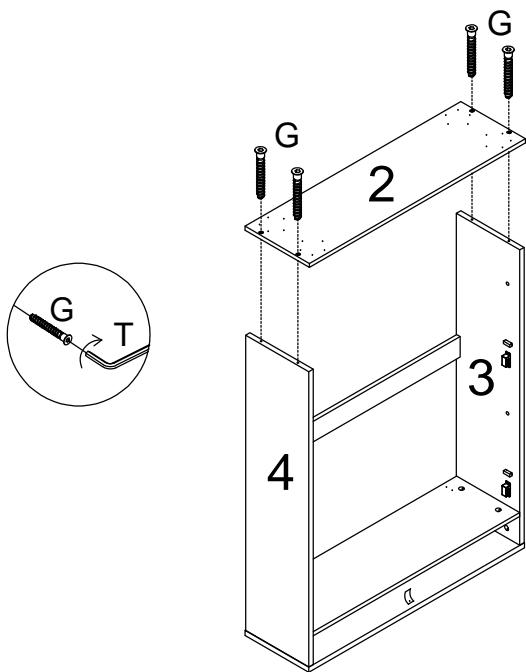
Step 7



Step 8



Step 9

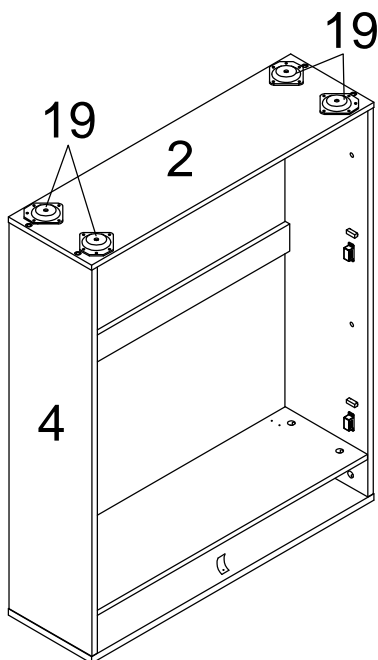


G M7x50



x4

Step 10

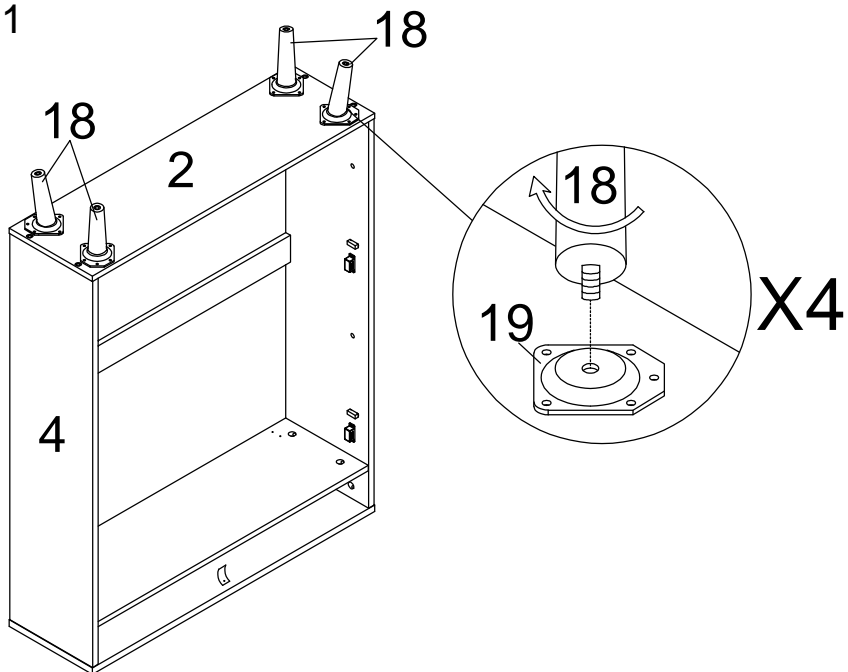


Z M3.5x12

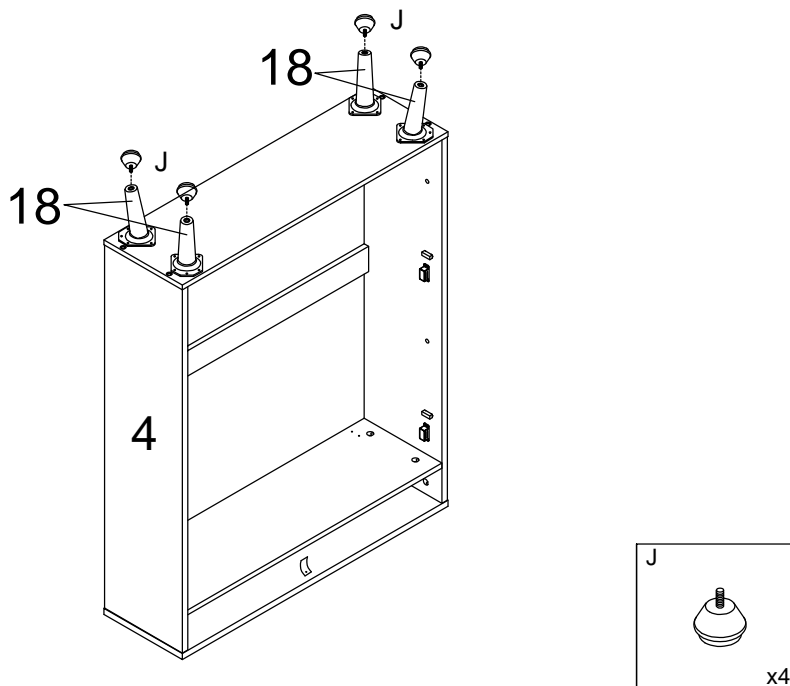


x20

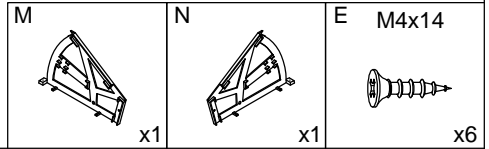
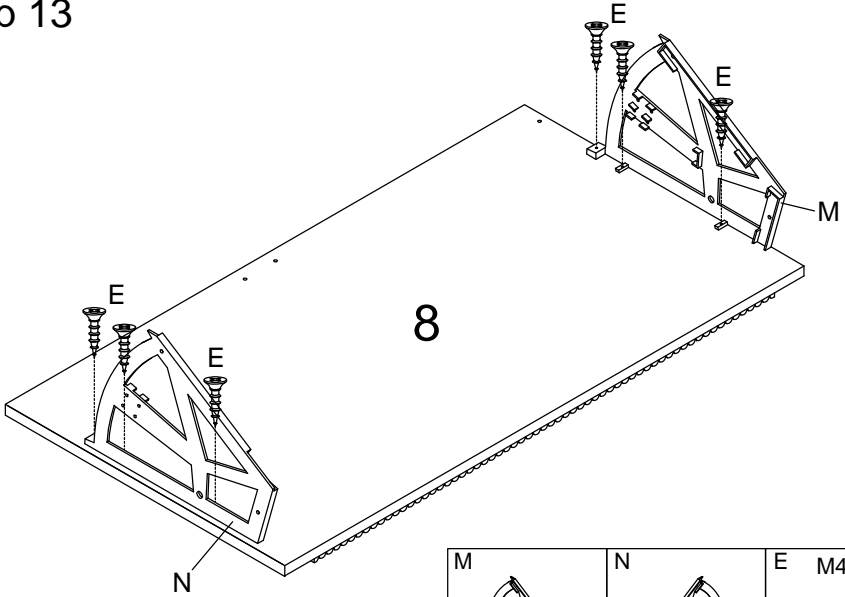
Step 11



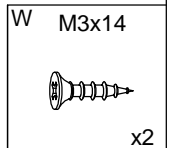
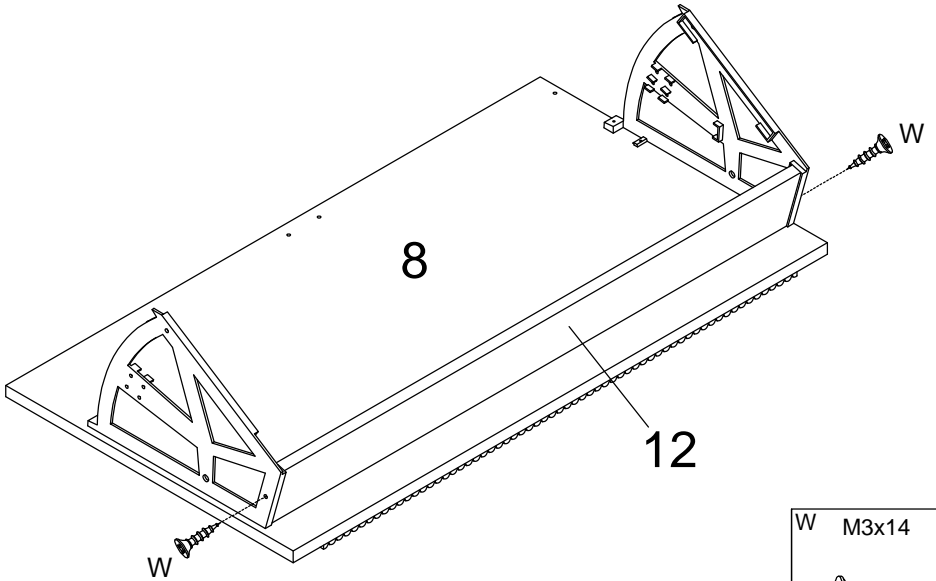
Step 12



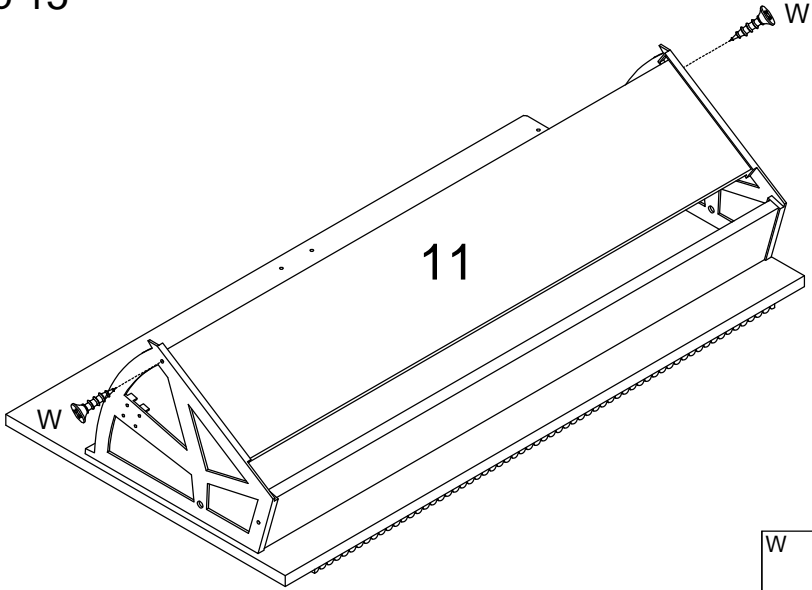
Step 13



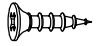
Step 14



Step 15

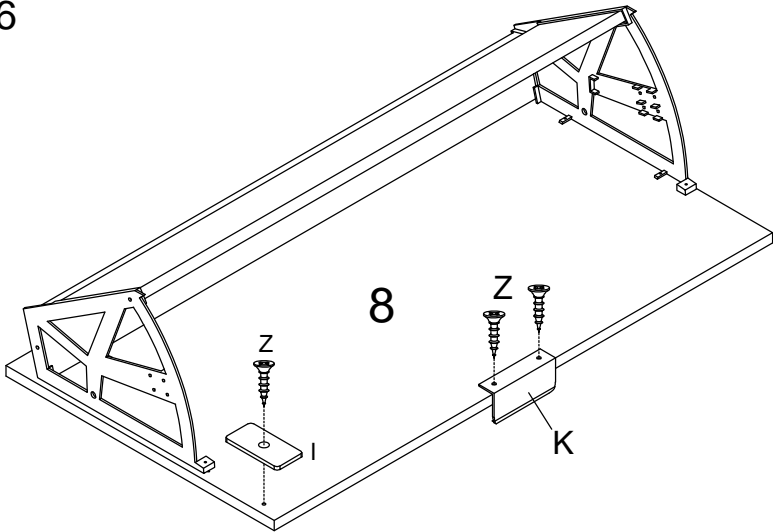


W M3x14

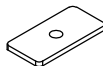


x2

Step 16



I



x1

Z M3.5x12



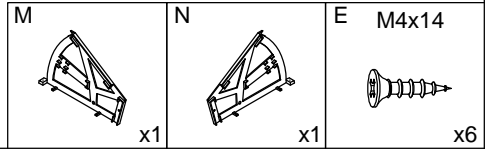
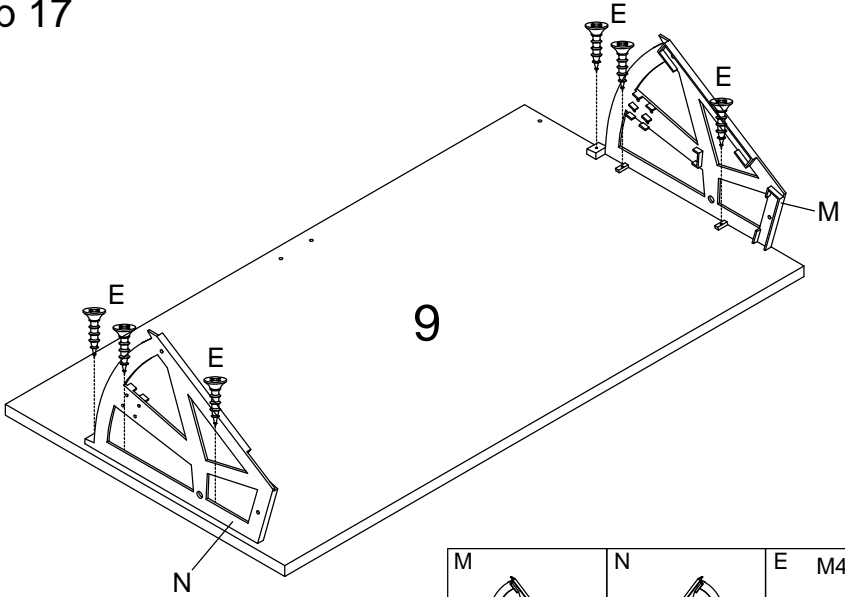
x3

K

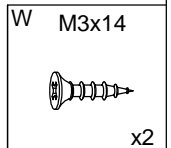
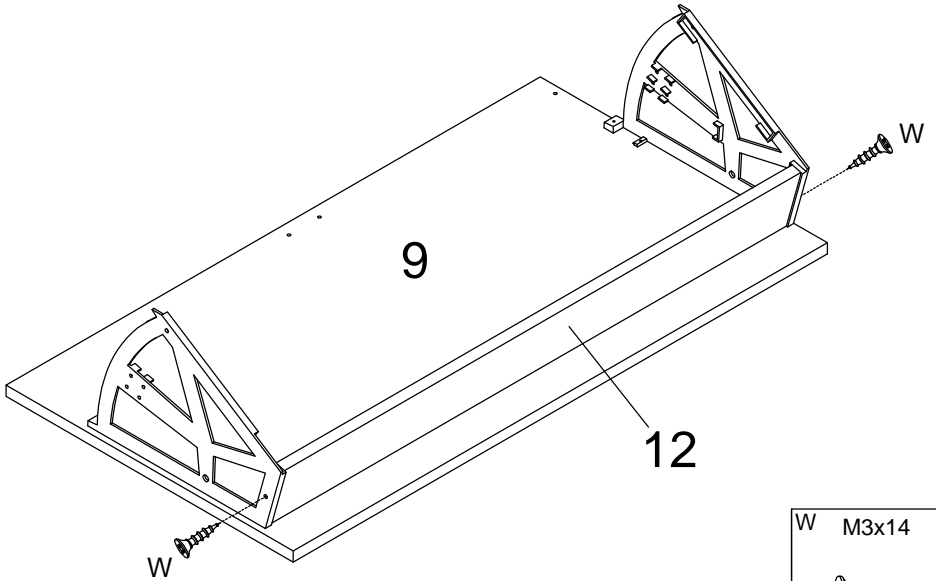


x1

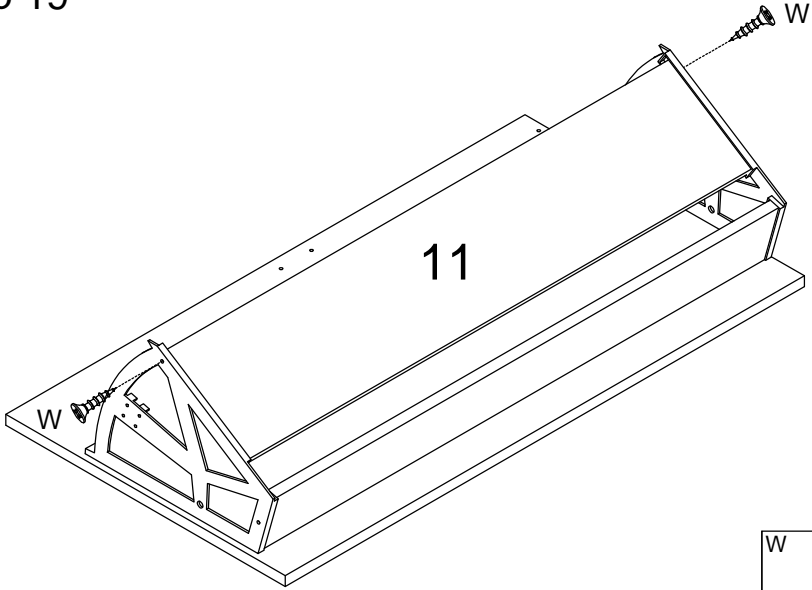
Step 17



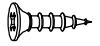
Step 18



Step 19

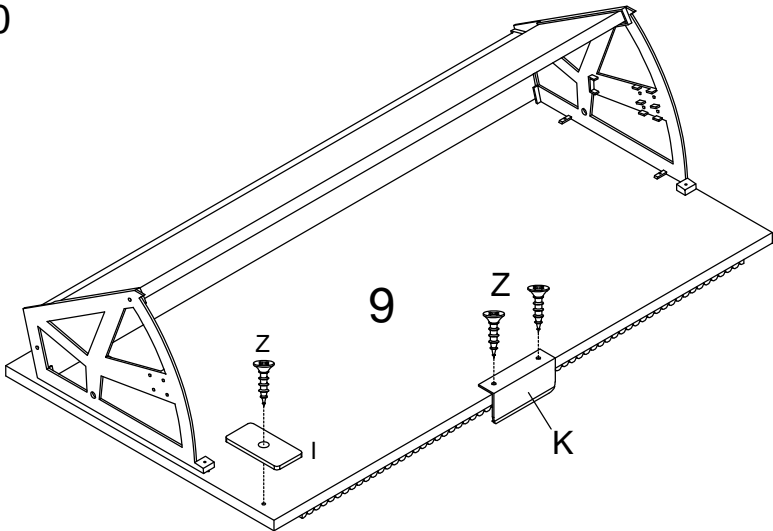


W M3x14

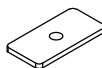


x2

Step 20



I



x1

Z M3.5x12



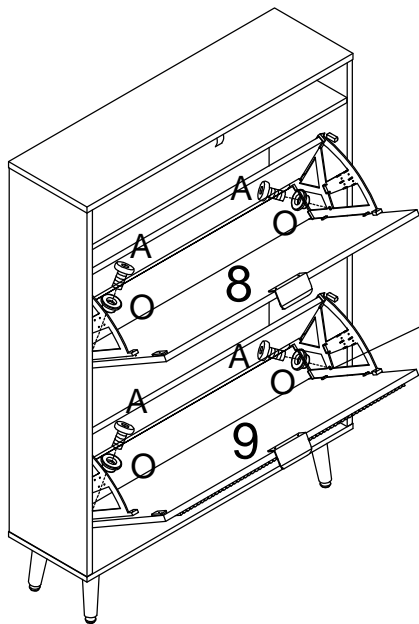
x3

K

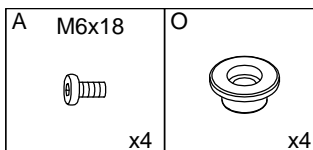
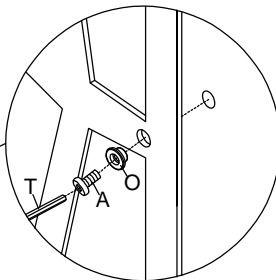


x1

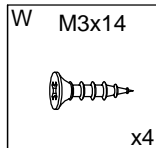
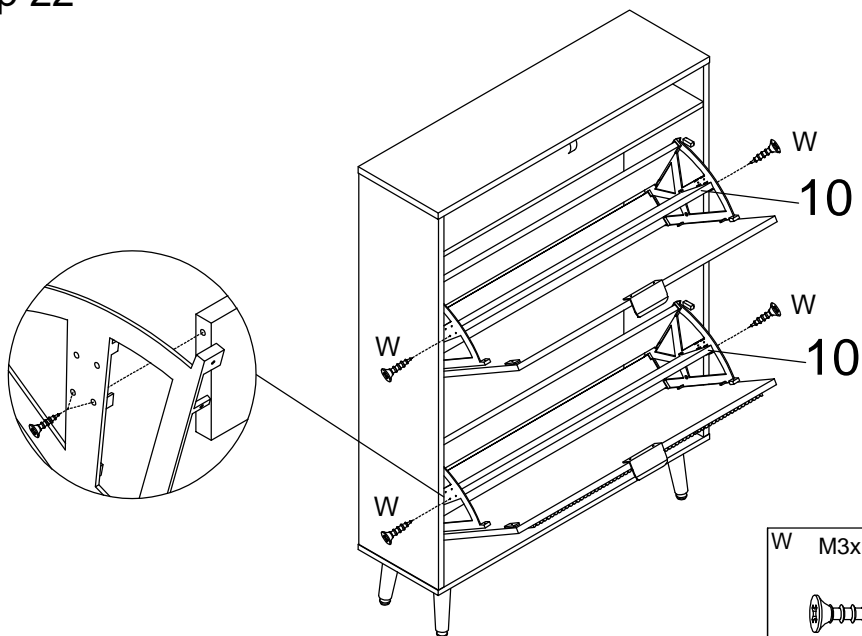
Step 21



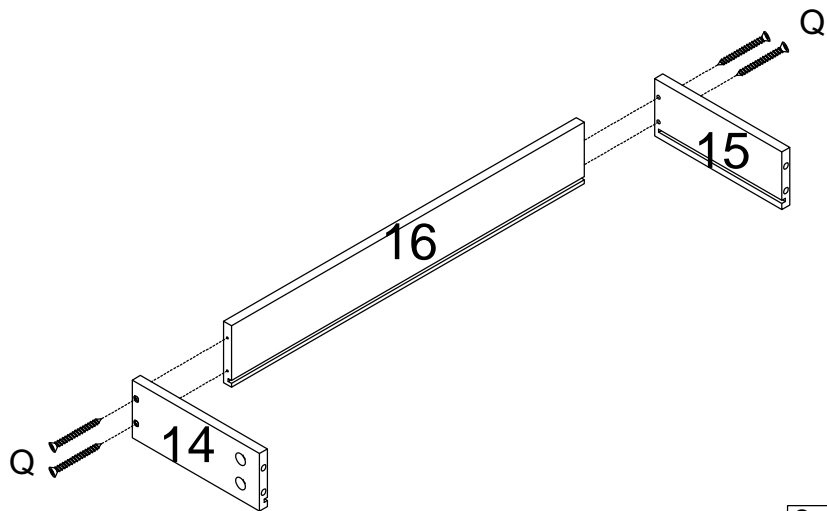
Put O parts firsty and then assemble A screws.



Step 22



Step 23

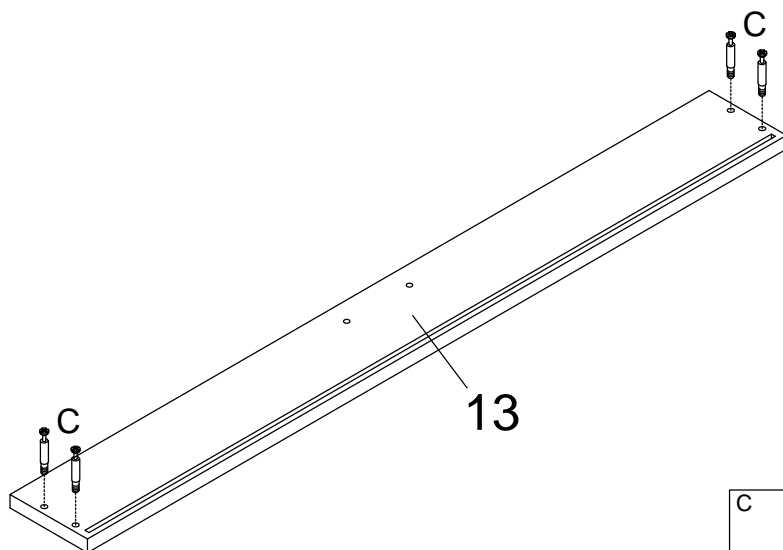


Q M3.5x40

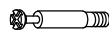


x4

Step 24



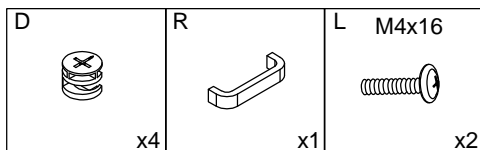
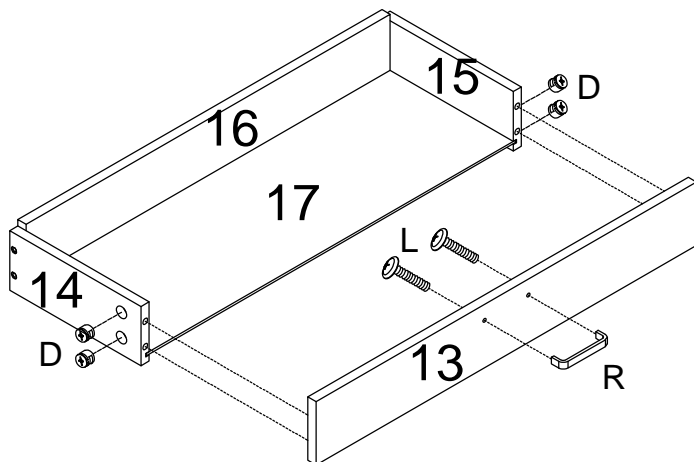
C



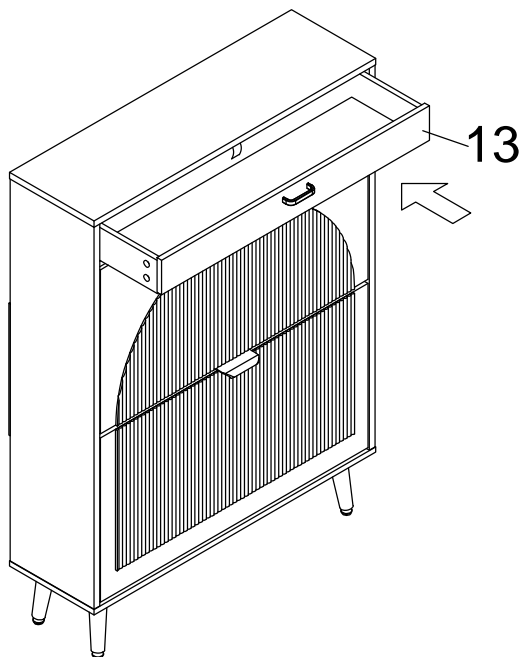
x4

15

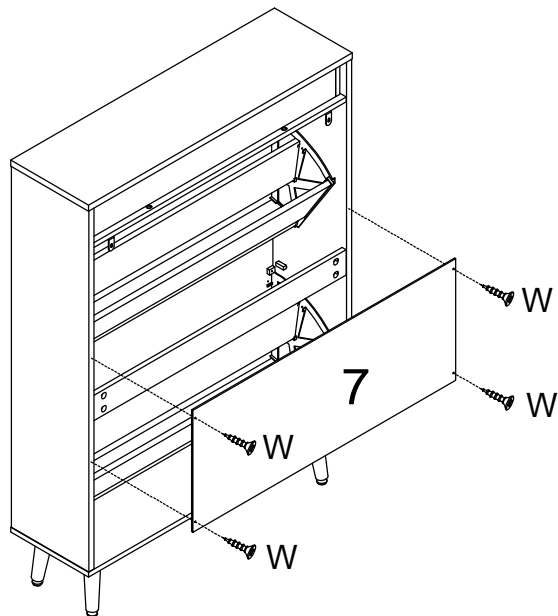
Step 25



Step 26



Step 27

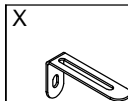
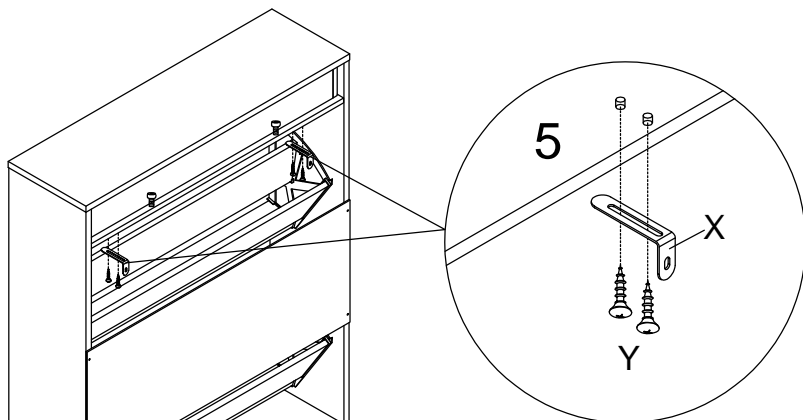


W M3x14



x4

Step 28



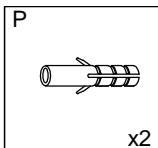
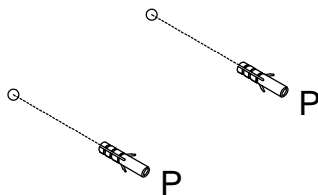
x2

Y M4x12

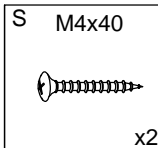
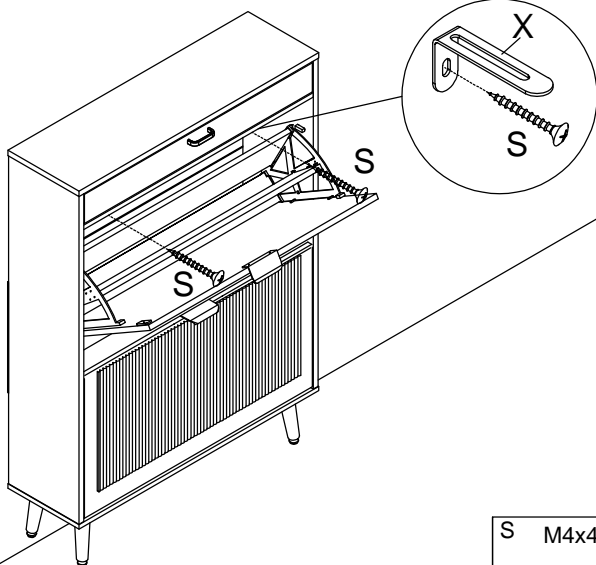


x4

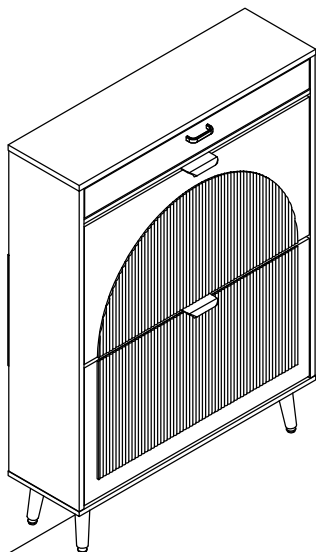
Step 29



Step 30



Finish !!!



WARRANTY INFORMATION

- Do not expose the surfaces to direct sunlight or to extreme environmental conditions.
- Clean the surfaces preferable with a clean damp cloth, then dry with a clean towel.
- Do not use solvents or abrasive materials to clean the unit. If you decide to use a cleaning agent, test first on an area hidden from view.
- Replacement parts might be available to you at no charge, with an original proof of purchase and where a defect has arisen, wholly or substantially, as a result of faulty manufacturing, parts or workmanship during the Warranty Period.
- The warranty does not extend to regular wear and tear, nor the manufacturer assumes liability for damages or consequences due to accidents, incorrect assembly, negligence, improper use, modifications, or not heeding the above warnings.
- Thank you so much for your support! We hope you enjoy your purchase. If there is any damage or missing accessories, please feel free to contact us for free replacement or refund. You can quickly find us through
Customer Service Line: **+1-888-292-2399** .
Customer Service Email: **service7770@outlook.com** .
with your order number, we will try our best to solve this problem for you

Thank you !

