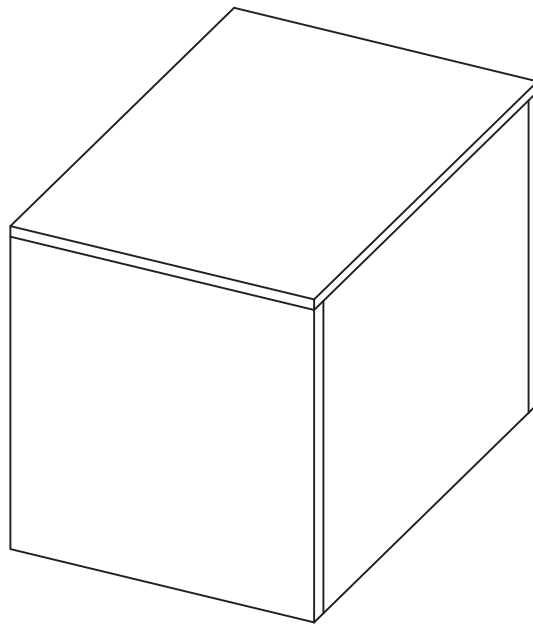


Assembly Instructions

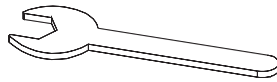
Side table



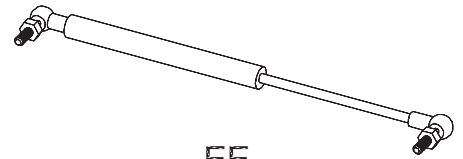
HARDWARE INCLUDED



#1



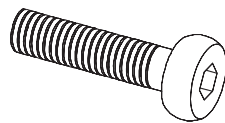
#3



EE







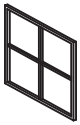
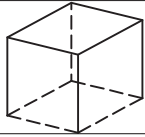
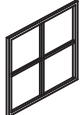
BB



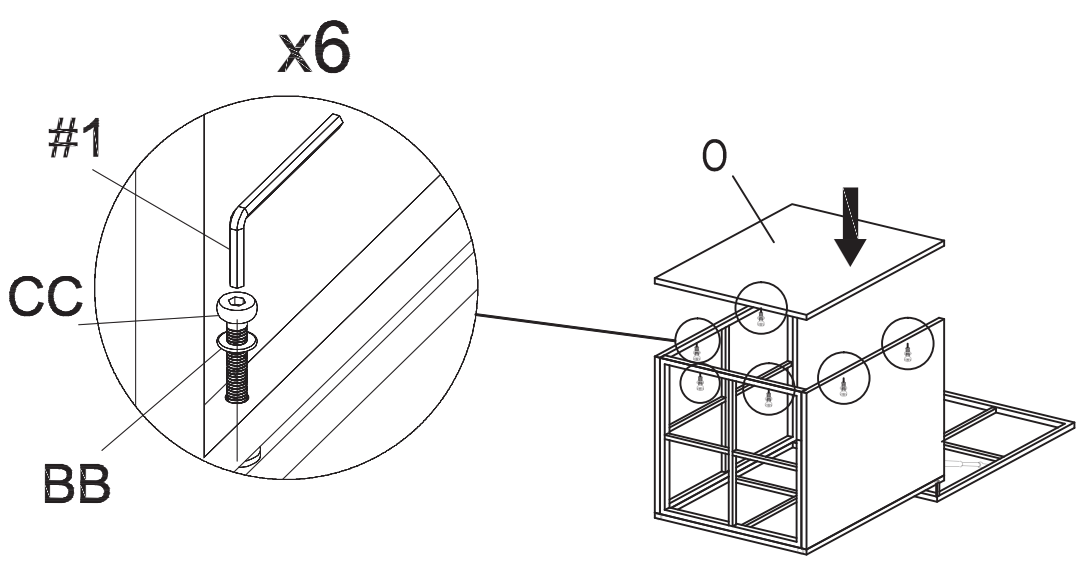
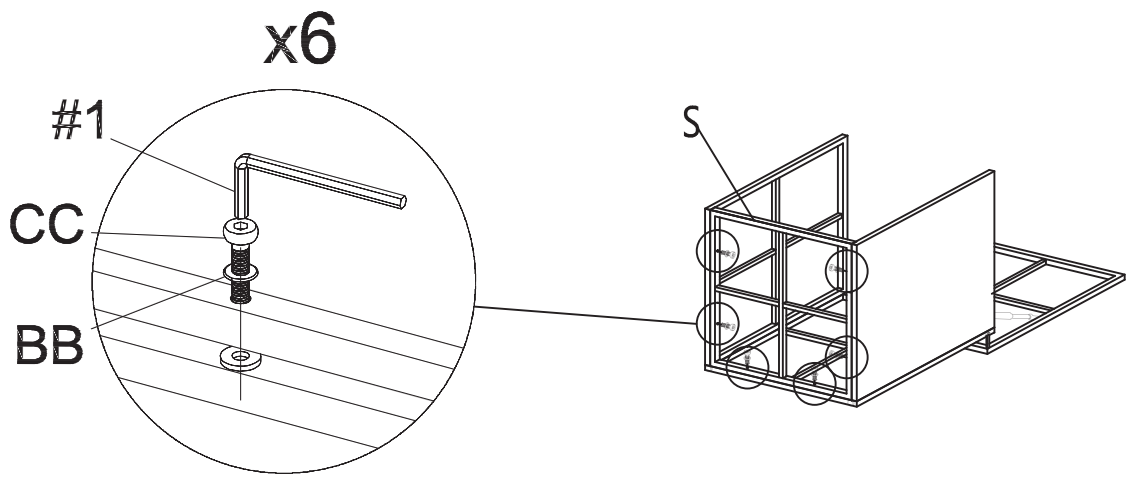
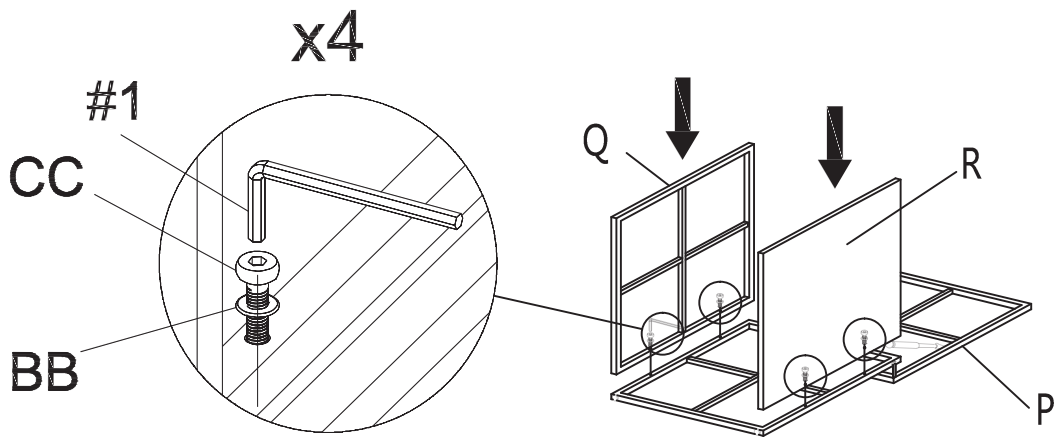
CC

| Part | Description | Quantity | Part | Description | Quantity |
|------|------------------|----------|------|-------------|----------|
| #1 | Allen Wrench | 1 | BB | Washer | 16 |
| #3 | Hex Wrench | 1 | CC | M6*35 Bolt | 16 |
| EE | Cylinder Support | 2 | | | |

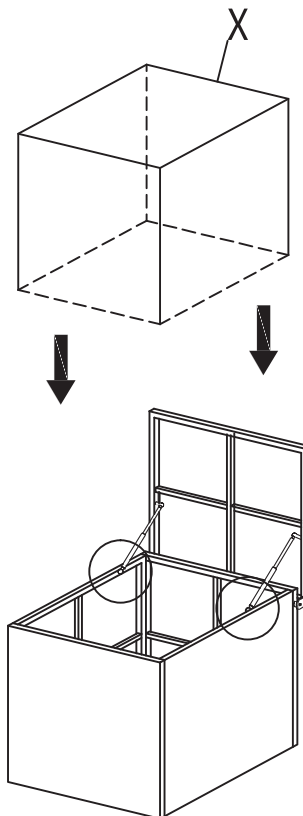
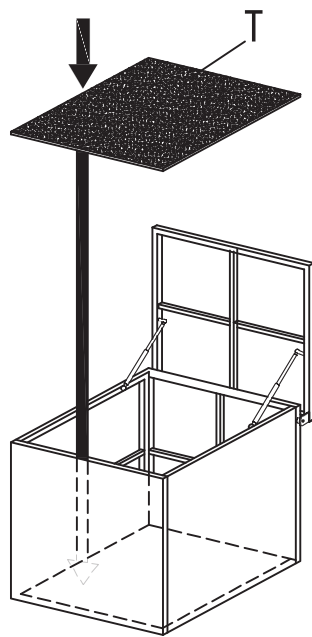
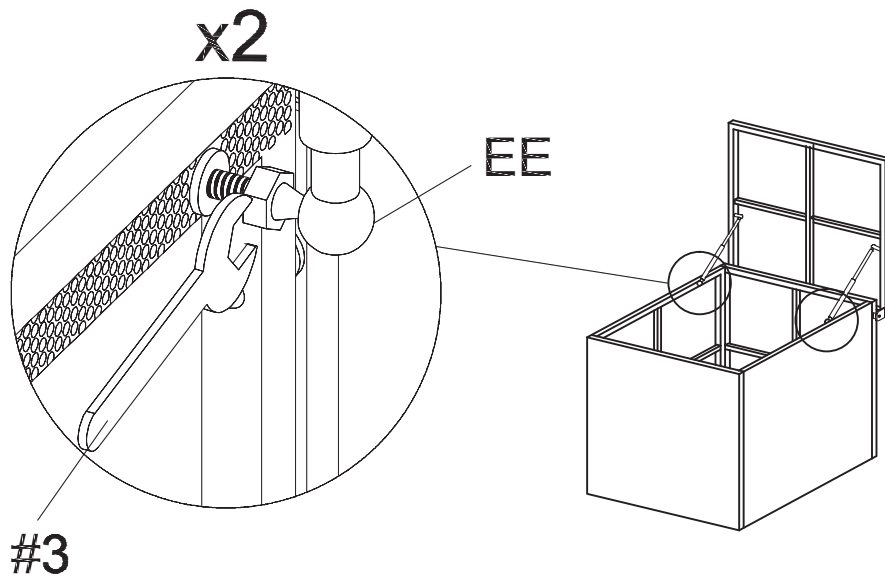
PACKAGE CONTENTS

| Part | Description | Image | Quantity | Part | Description | Image | Quantity |
|------|-----------------------------|---|----------|------|-----------------------------------|---|----------|
| O | Side Table Front Panel |  | 1 | S | Side Table Bottom Panel |  | 1 |
| P | Side Table Top & Back Panel |  | 1 | T | Side Table Bottom Plastic Support |  | 1 |
| Q | Side Table Left Side Panel |  | 1 | X | Side Table Inner Cover |  | 1 |
| R | Side Table Right Side Panel |  | 1 | | | | |

Assembly of Side Table



Assembly of Side Table



Assembly of Side Table

