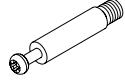

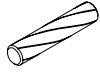



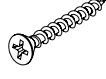


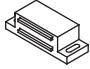


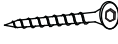






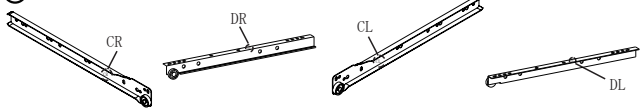
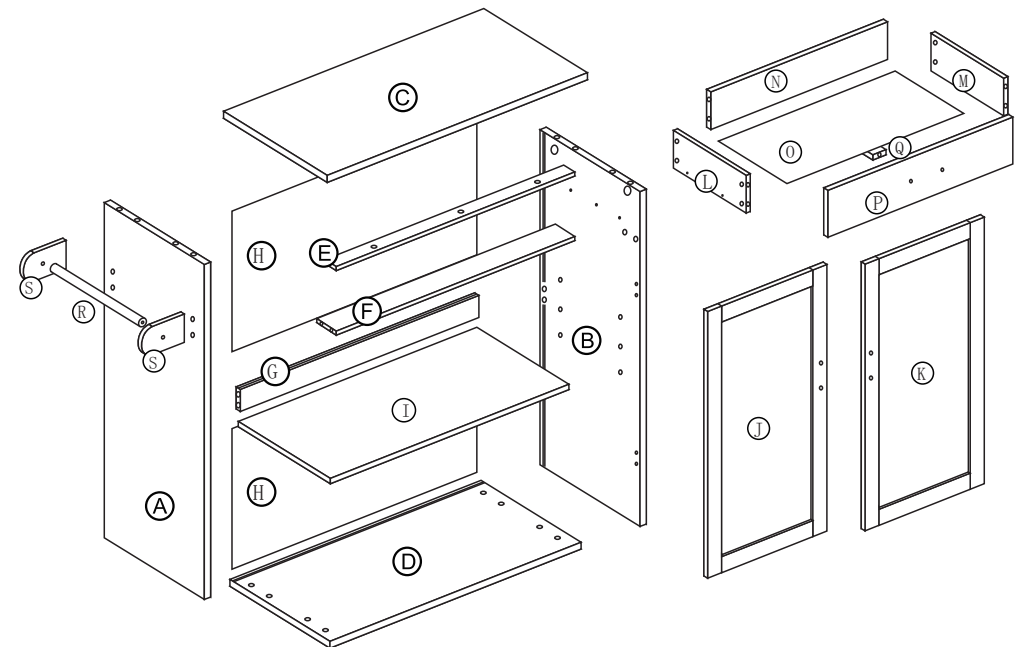




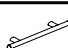
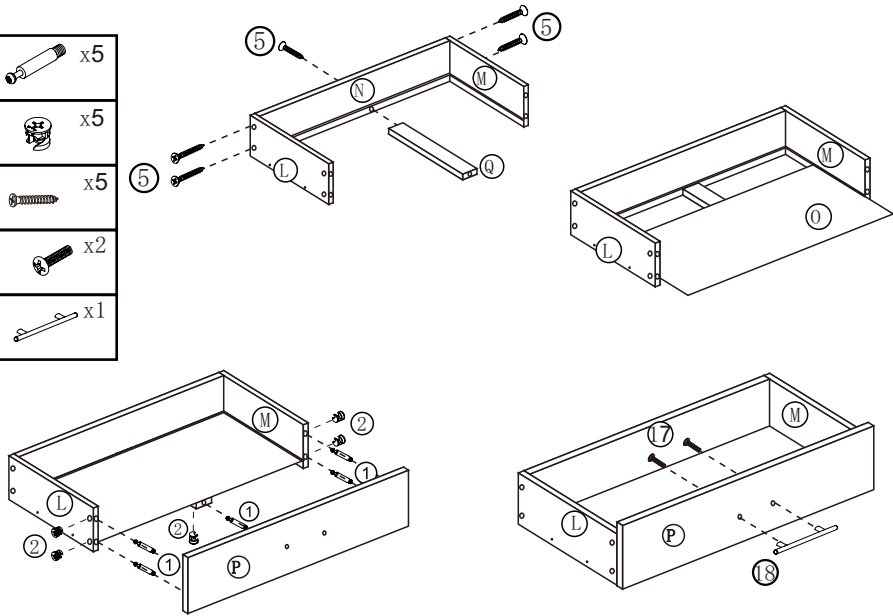


① x13 	② x13 	③ x12 	④ x28  M3x12mm	⑤ x5  M4x30mm	⑥ x3  M4x25mm
⑦ x6  M4x40mm	⑧ x4 	⑨ x4 	⑩ x1 	⑪ x2 	⑫ x2  M2.5x14mm
⑬ x4 	⑭ x2 	⑮ x2 	⑯ x1 	⑰ x6 	⑱ x3 
⑲ x16  M5x12mm	⑳ x1  CR DR CL DL				






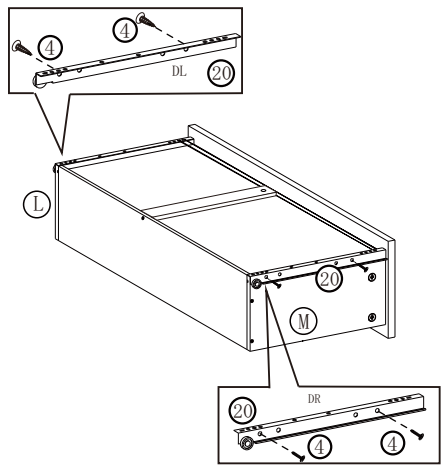
1

①	 x5
②	 x5
⑤	 x5
⑦	 x2
⑧	 x1






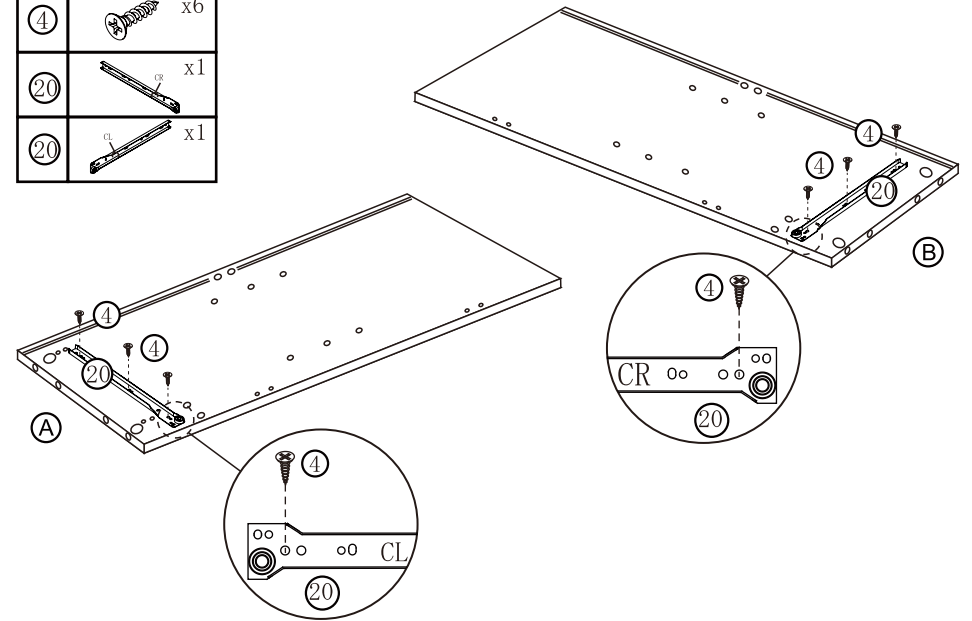
2

④	 x4
⑳	 x1
⑳	 x1




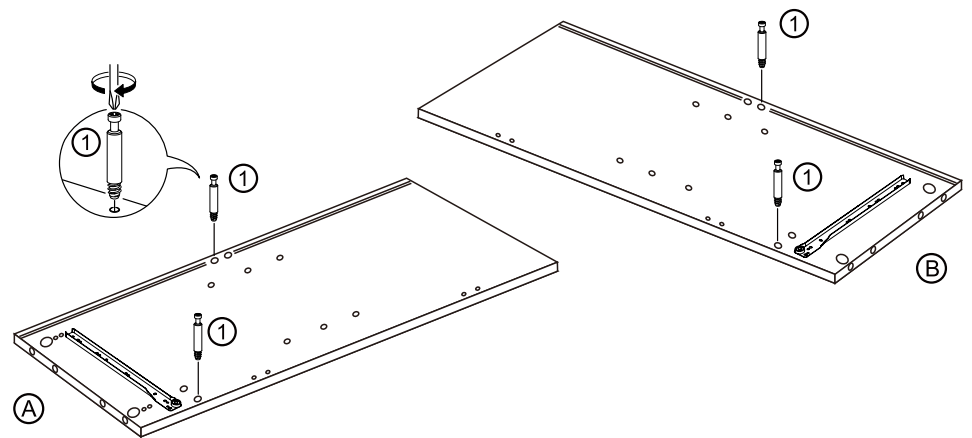
3

④	 x6
⑳	 x1
⑳	 x1





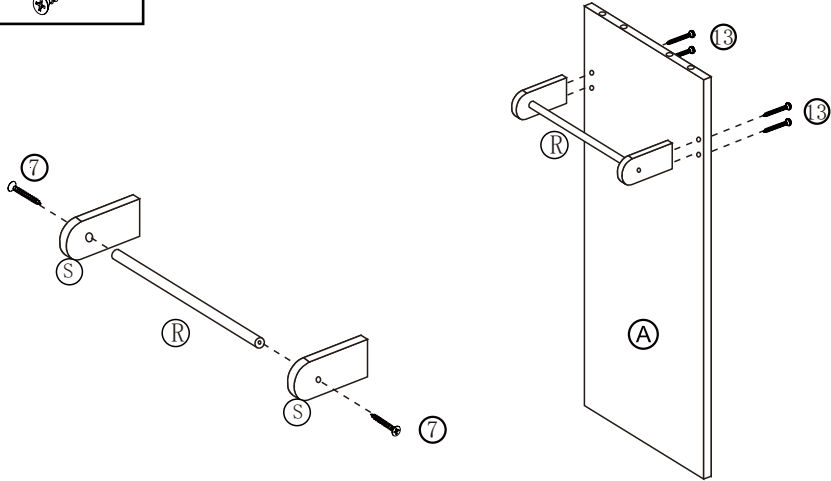
4

①	 x4
---	--





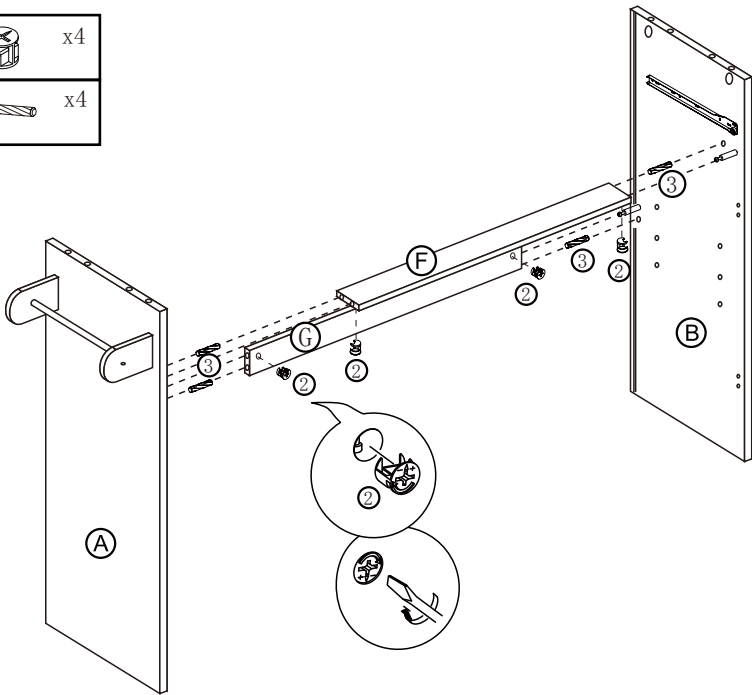
5

13	 x4
7	 x2

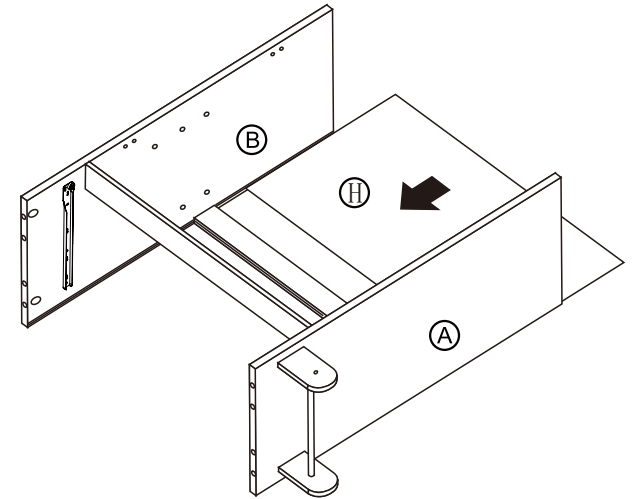


6



2	 x4
3	 x4

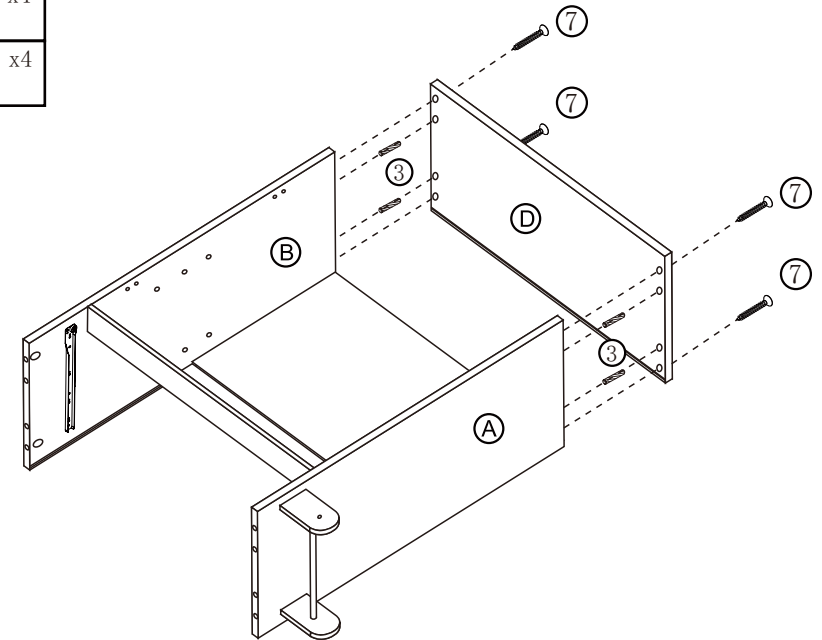


7





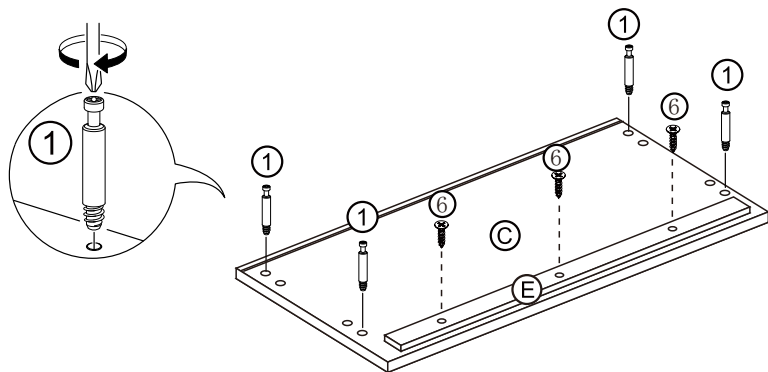
8

3	 x4
7	 x4





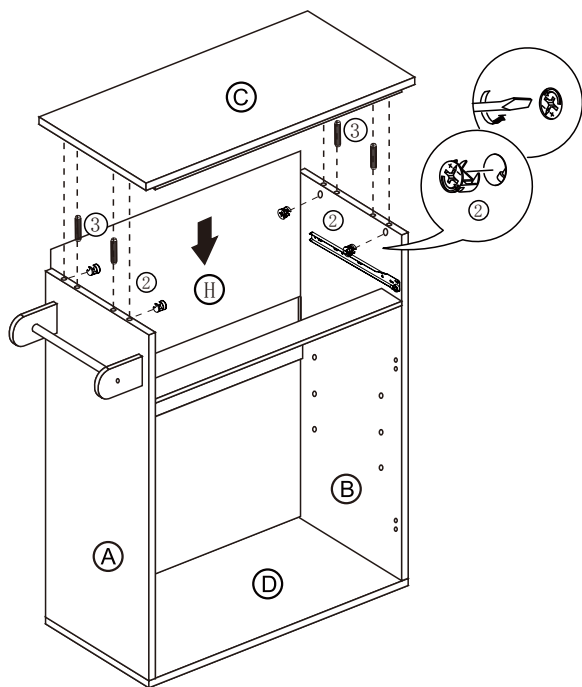
9

①	 x4
⑥	 x3






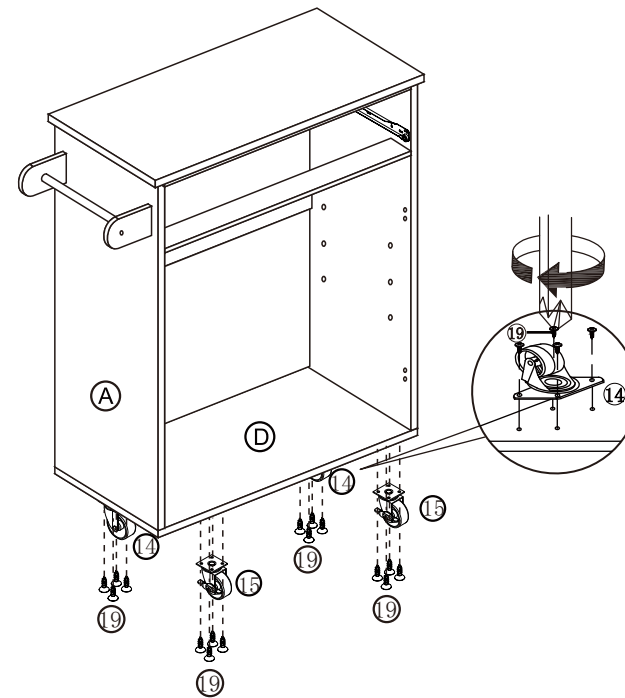
10

②	 x4
③	 x4




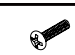
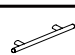


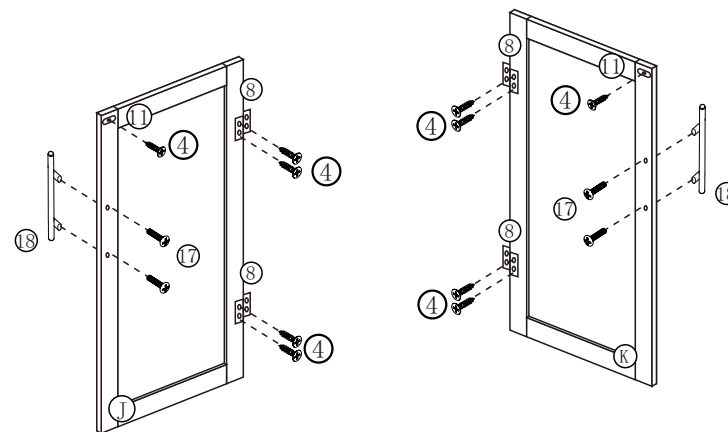
11

⑭	 x2
⑮	 x2
⑲	 x16






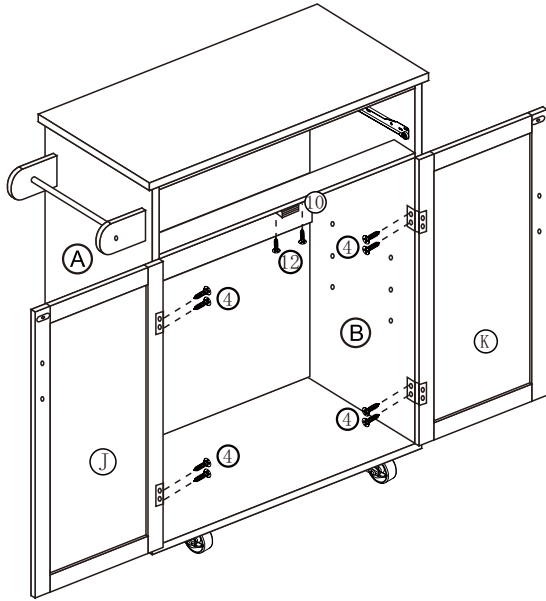
12

④	 x10
⑧	 x4
⑪	 x2
⑰	 x4
⑱	 x2

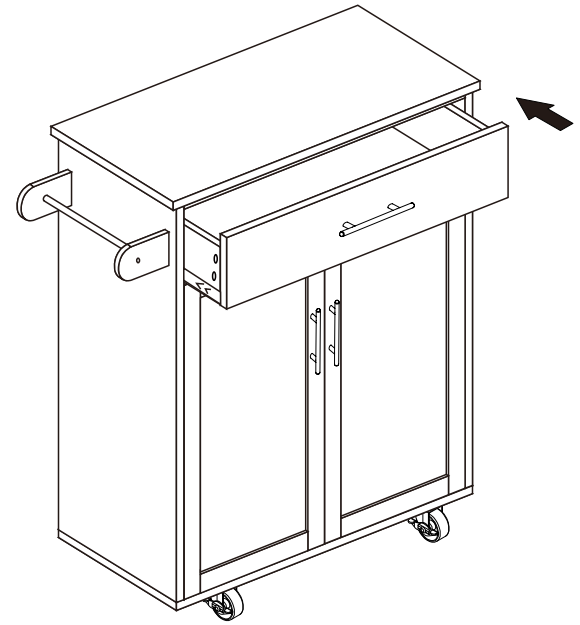


13


④		x8
⑩		x1
⑫		x2



15



14

⑨		x4
---	---	----

