

OFFICE CHAIR ASSEMBLY INSTRUCTION

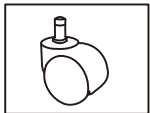
<http://www.paylesshere.com>



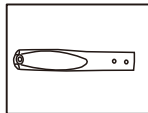
THANK YOU FOR PURCHASING OFFICE CHAIR

OC-BT491

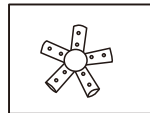
PARTS LIST



A 5xWheels



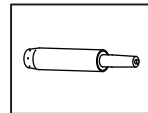
B1 5xsplit base
tube



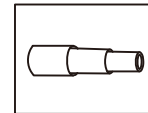
B2 1xcentral base
tube



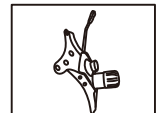
B3 1xbase cover



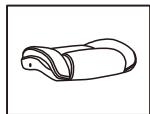
C1 1xgas lift



C2 1xdust cover



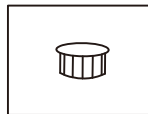
D 1xmechanism



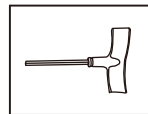
E 1xseat



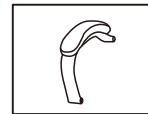
F 1xback



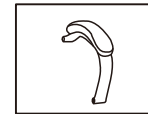
G 4xPlastic caps



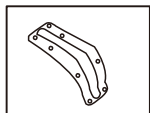
H 1xallen key



I1 1xLeft armrest



I2 1xRight armrest



N1 1xBack Bar



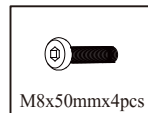
O2 4xwashers



W3 2xscrews



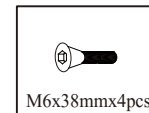
W6 6xscrews



W7 4xscrews



Z1 10xscrews

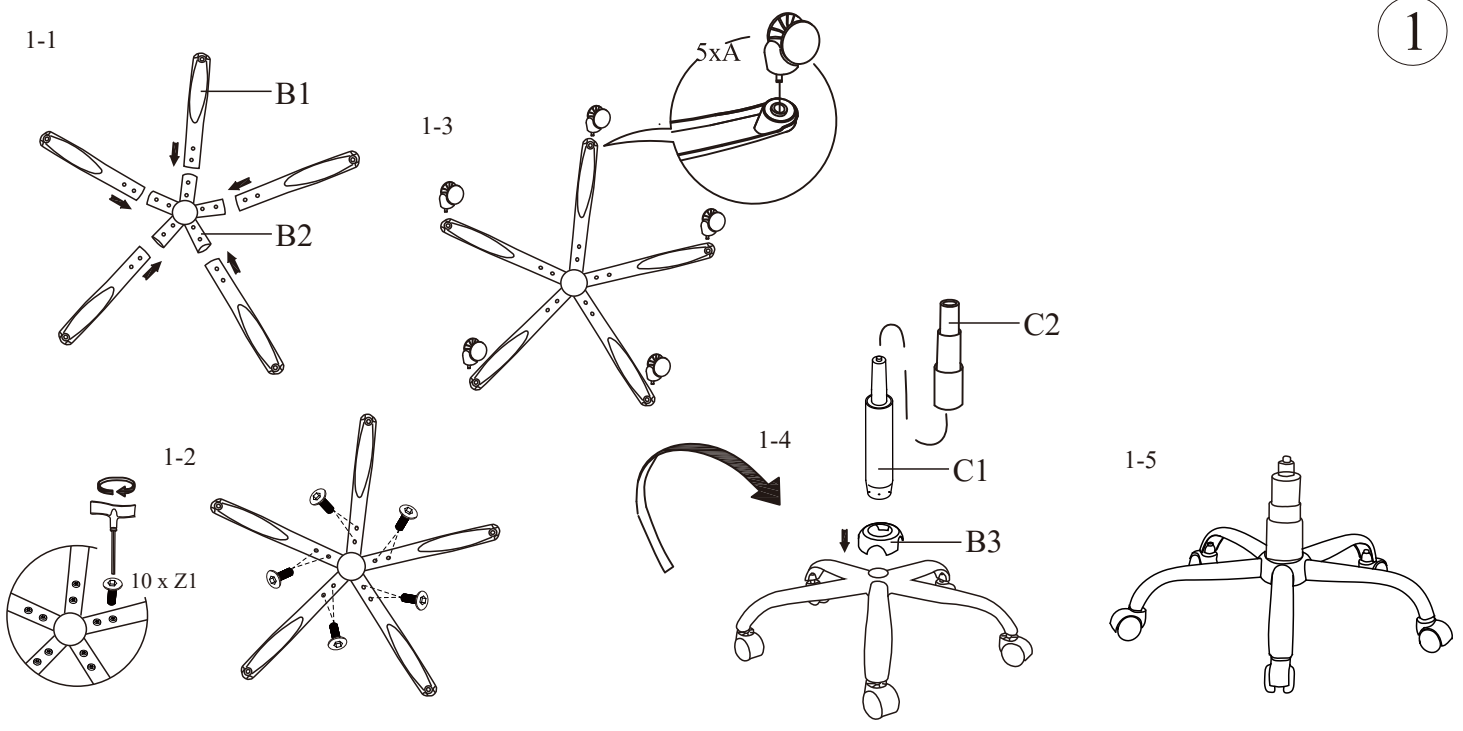


X8 4xscrews

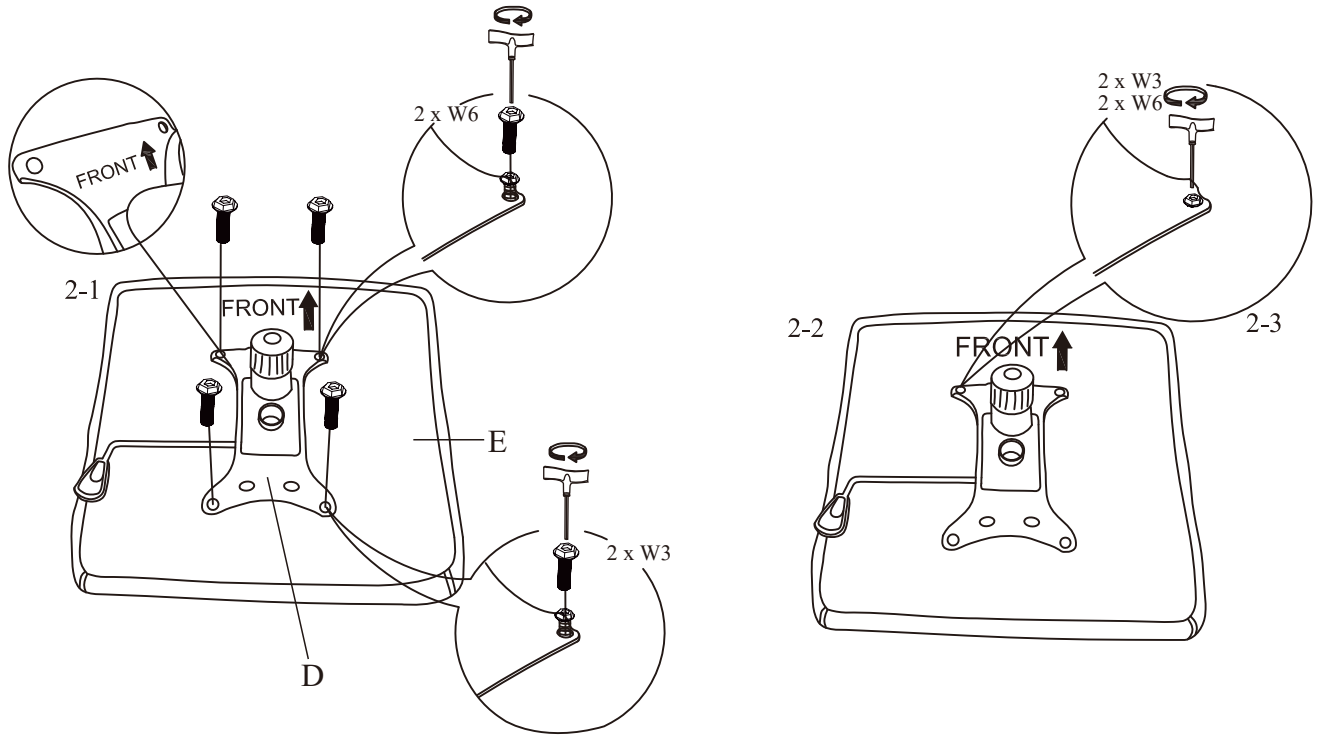
WARNING

- Do not stand in this chair or use the chair as a step ladder use it as chair only.
- This chair is designed for one person to use at a time.
- This chair is designed for one person weighing up to 500lbs(226kgs).
- Do not use this chair unless all bolts, screws and knobs are firmly secured.
- Check all bolts,screws and knobs every 90days. Tighten if any are loose.
- Failure to follow these instructions may result in serious injury or death of yourself and people around you.
- Some of the part are heavy and/or has shape edge, please install it carefully to avoid hurt you and people around you.

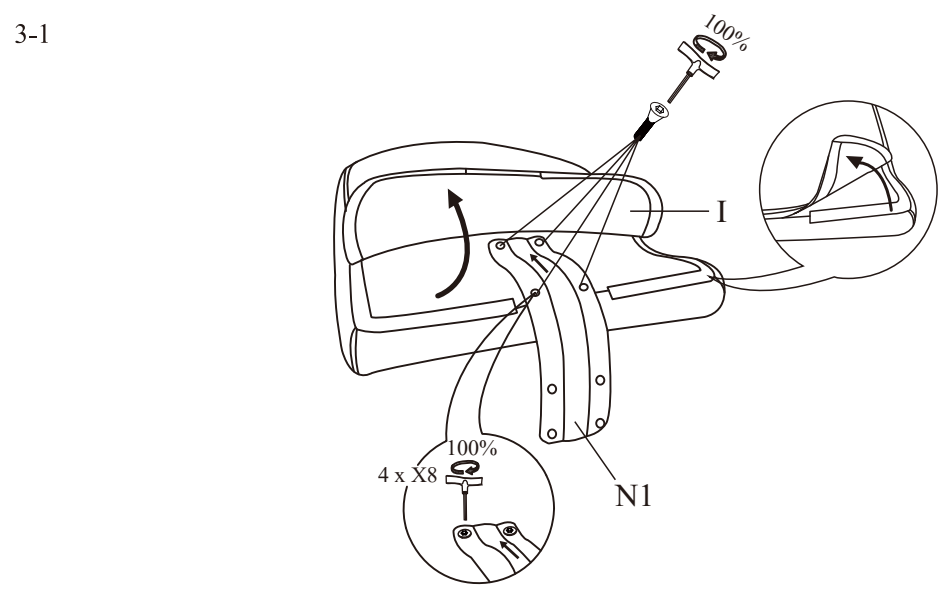
1



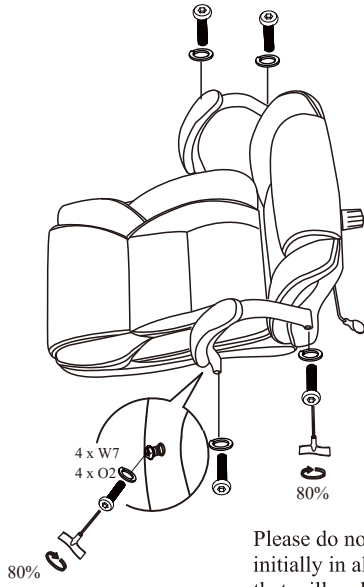
2



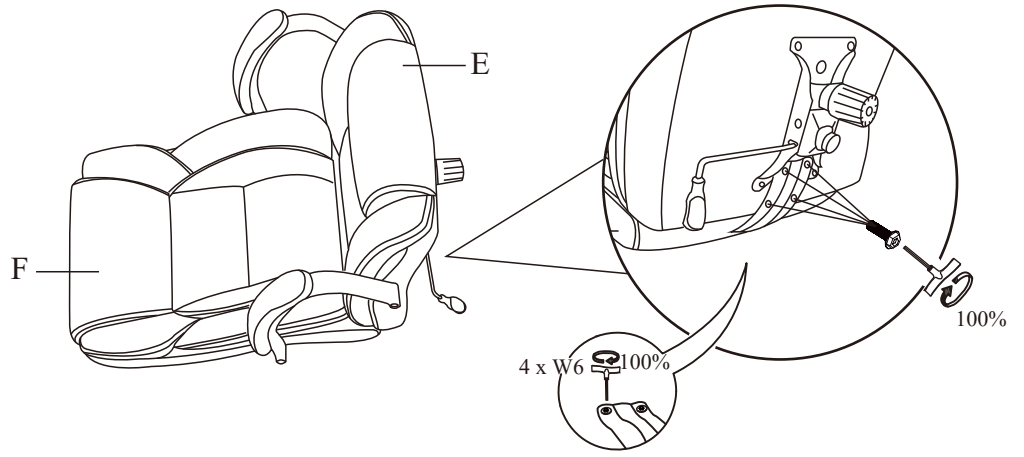
3



4-1

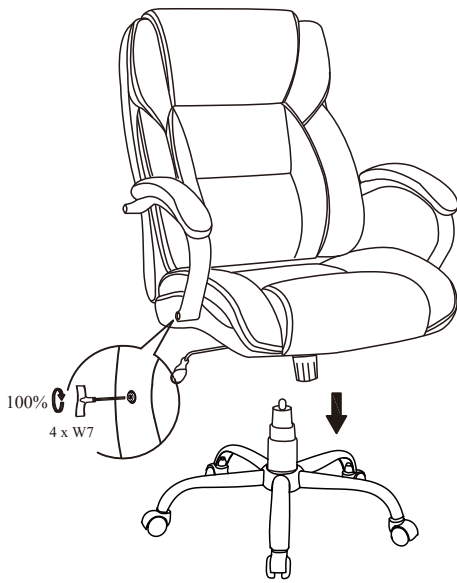


4-2

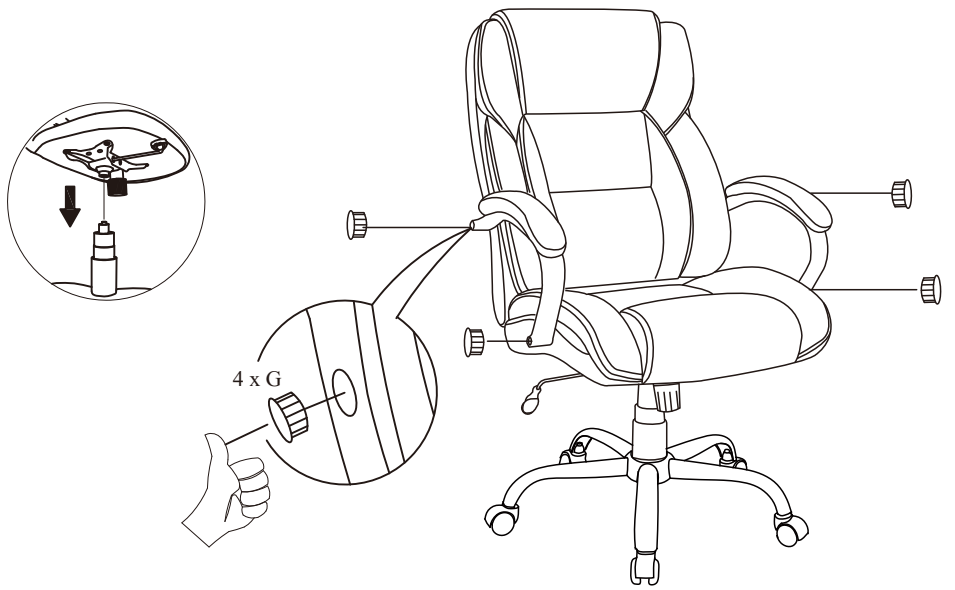


Please do not tight the screw until all screw lined up with hole and try to tight it loosely initially in all screws then tight a little bit more in all screws do not overnight one screws that will make other screw hard to tight but tight all screw firmly in the end

5-1

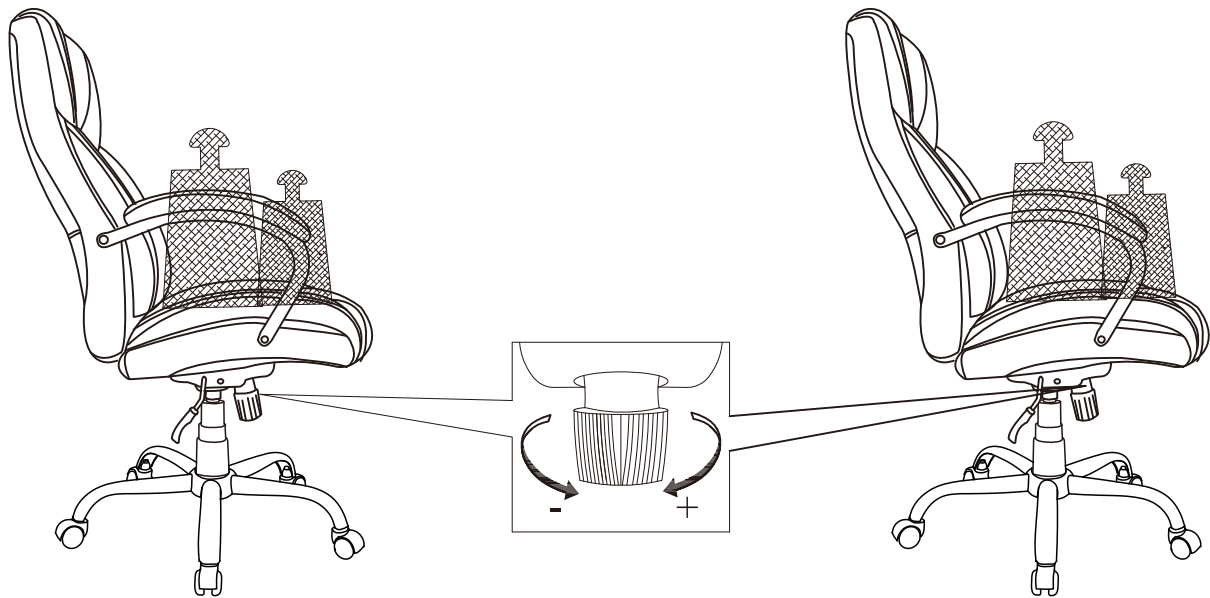
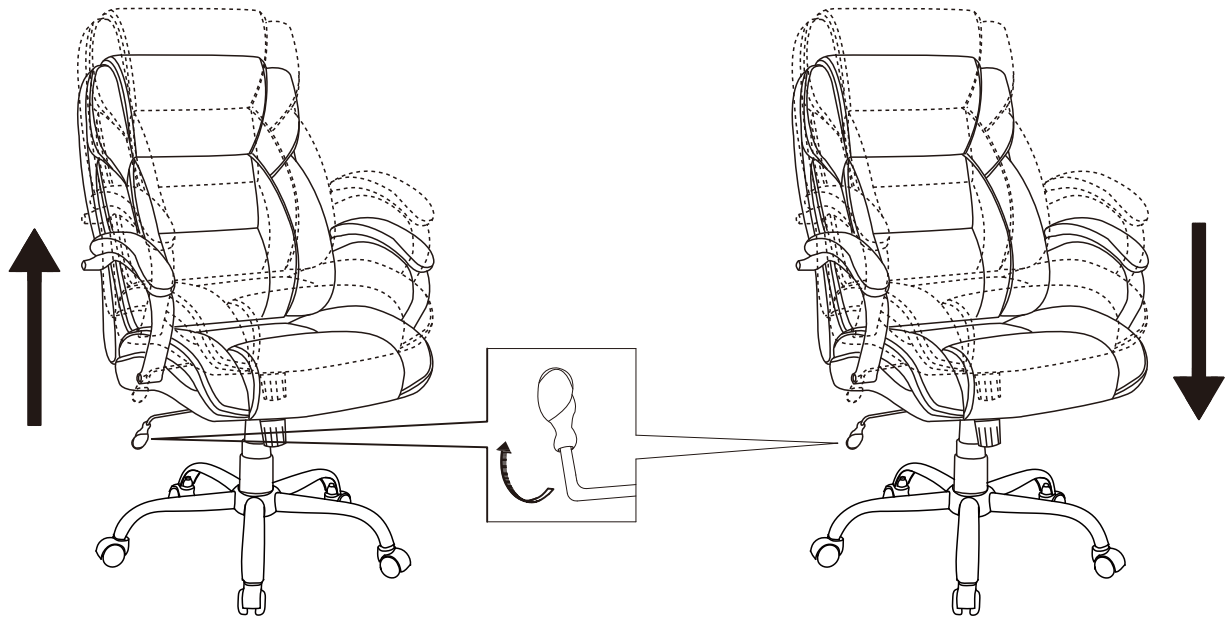


5-2

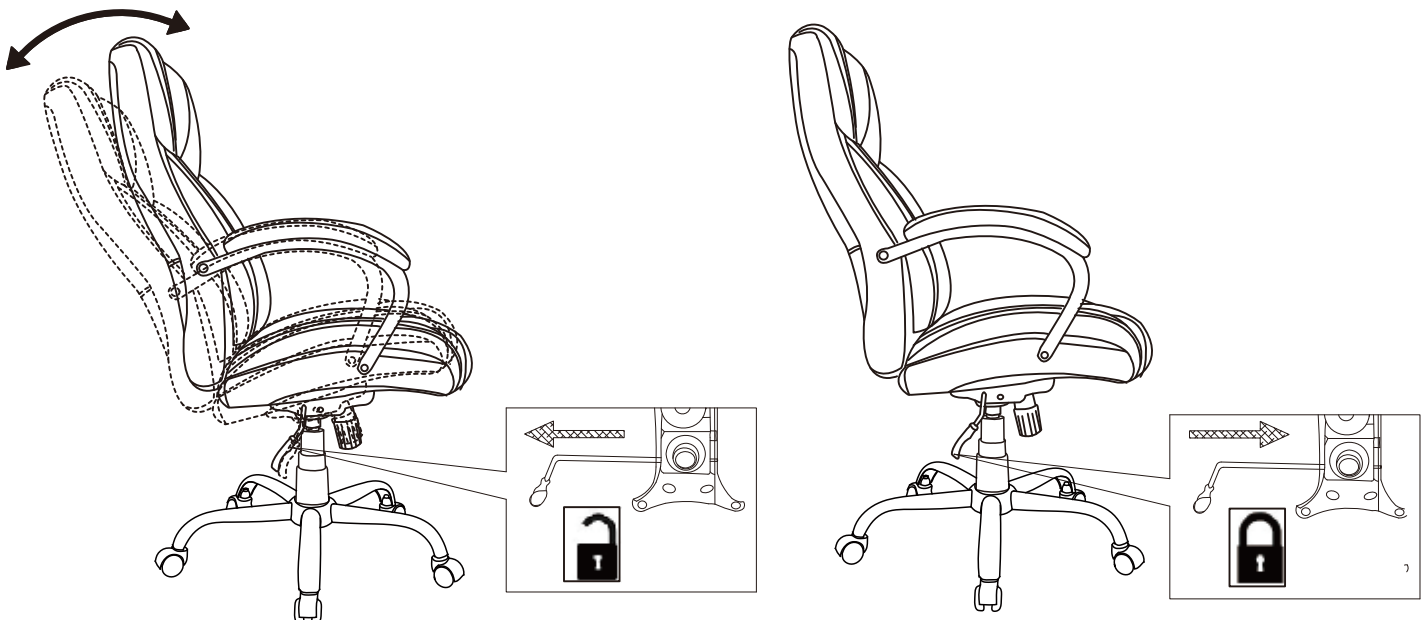


5-2





There's a circle under the chair if you turn it, it will lessen the force required to lean back in the chair



This chair will not lay flat but can recline, in order to recline, please pull the handle on the side out