

**IMPORTANT!** Please read all instructions before use and keep this manual for future reference. Your satisfaction is very important to us.

# ATTENTION

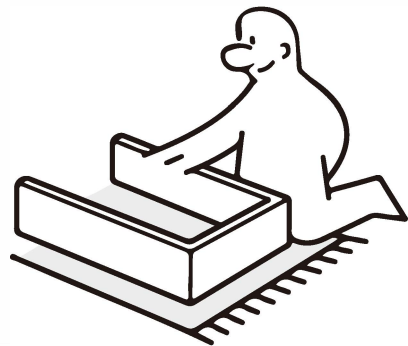
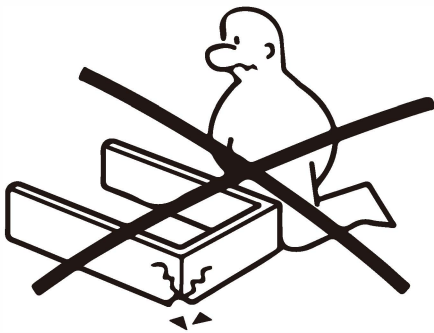
## Attention Customers living in the United States and Canada

If you are missing parts, hardware, or if your product has been damaged during shipping

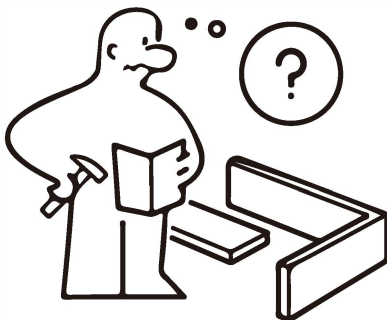
## DO NOT RETURN YOUR PRODUCT

The store does not stock parts and may not be able to help you. Please contact us directly and **we will ship you the parts** you need to your shipping address **at no cost to you**. We're here to help!

### ※ Stay Scratch-Free: Safeguard Your Furniture by Assembling on Carpet.



### ※ Stuck in Assembly Limbo? Check out our website or contact our support team for quick solutions!

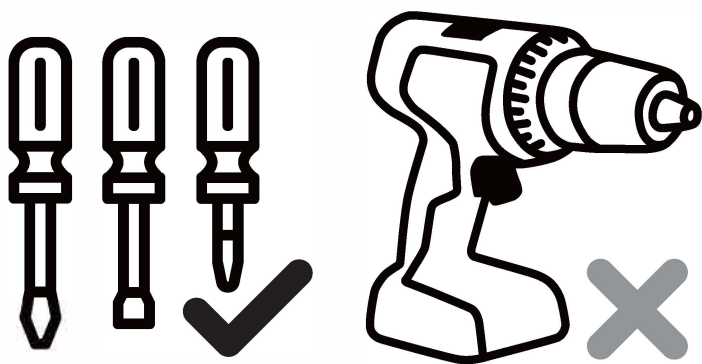


# WARNING: ASSEMBLY NOTICE

## Attention

Important Instructions for Assembling Your Furniture To ensure the longevity and integrity of your MDF furniture, please adhere to the following guidelines:

### DO NOT USE AN ELECTRIC DRILL



Using an electric drill can cause irreversible **damage to the MDF boards**, leading to compromised structural integrity and potential voiding of your warranty.

---

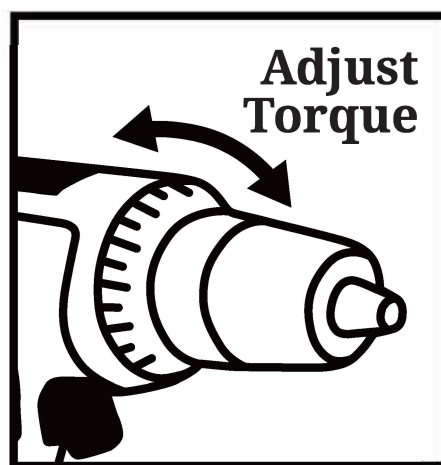
### IF AN ELECTRIC DRILL MUST BE USED

- **Set to Lowest Torque Setting :**

Ensure your drill is set to the lowest possible torque setting to avoid over-tightening and damaging the material.

- **Proceed with Caution :**

Carefully monitor the drilling process to prevent excessive force and damage.

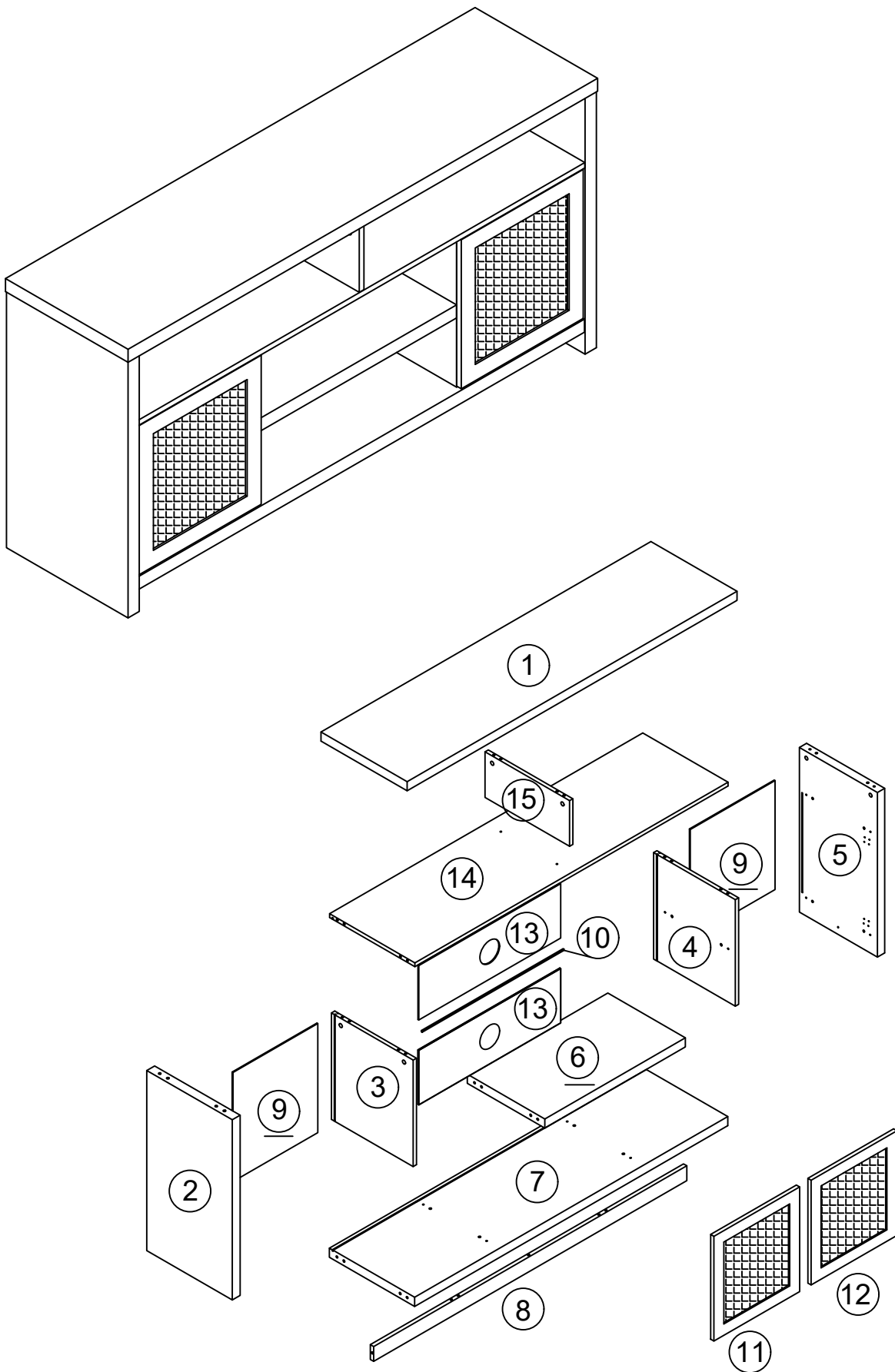


---

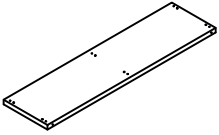
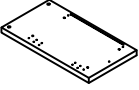
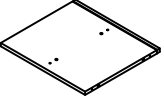
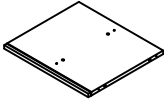
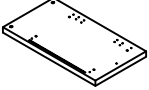
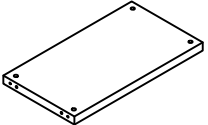
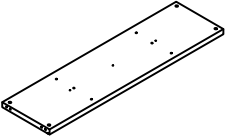
For best results and to avoid any damage, we highly recommend using the provided manual tools or a handheld screwdriver.


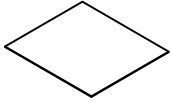

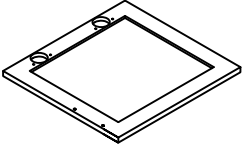
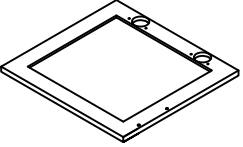
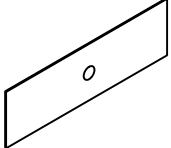
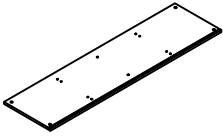

Thank you for your attention and understanding.

# PARTS LIST



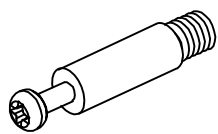
# PARTS LIST

Item	Reference Image	Qty
1		x1
2		x1
3		x1
4		x1
5		x1
6		x1
7		x1

Item	Reference Image	Qty
8		x1
9		x2
10		x1
11		x1
12		x1
13		x2
14		x1
15		x1

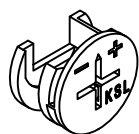
# HARDWARE LIST

A



M6\*35MM  
x27

B



φ15\*10MM  
x27

C



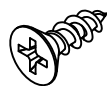
φ8\*30MM  
x30

D



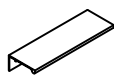
M4\*35MM  
x2

E



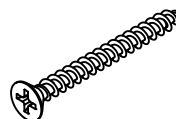
M3\*12MM  
x4

F



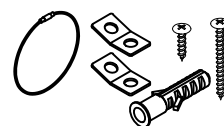
x2

G



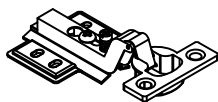
M4\*50MM  
x4

H



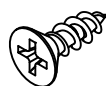
x2

I



φ26MM  
x4

J



M3.5\*14MM  
x24

K



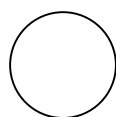
15\*13\*10MM  
x14

L



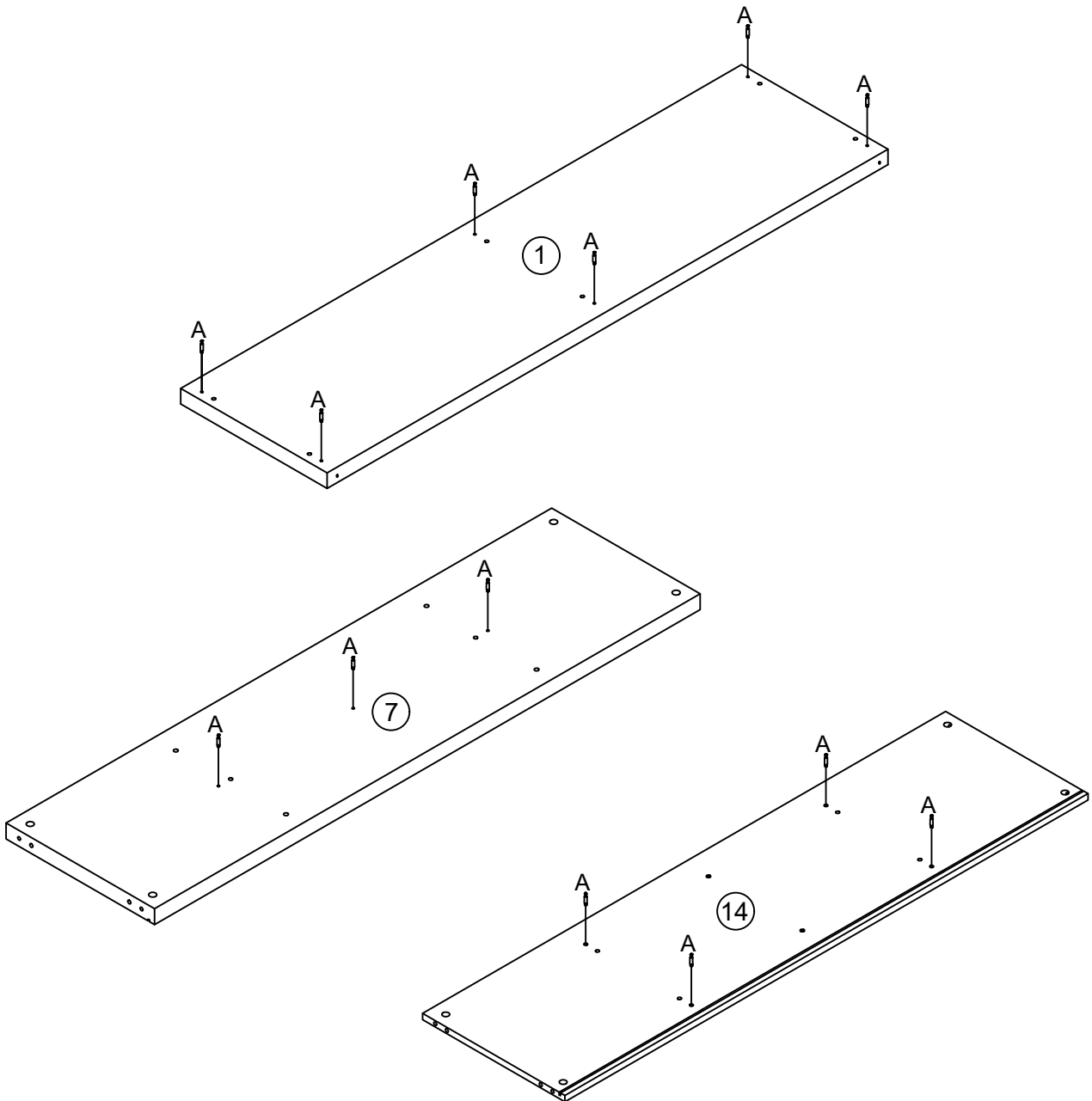
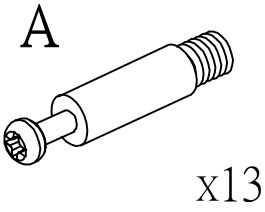
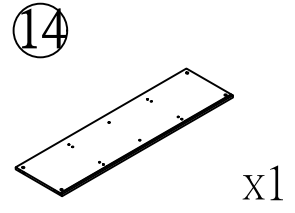
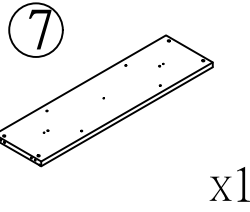
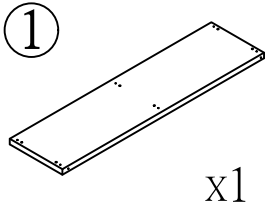
M3\*16MM  
x14

M



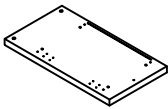
φ20MM  
x27

1



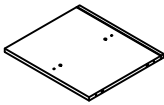
2

②



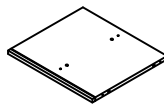
x1

③



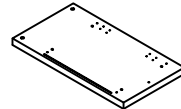
x1

④



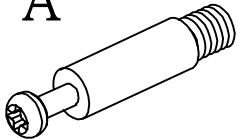
x1

⑤

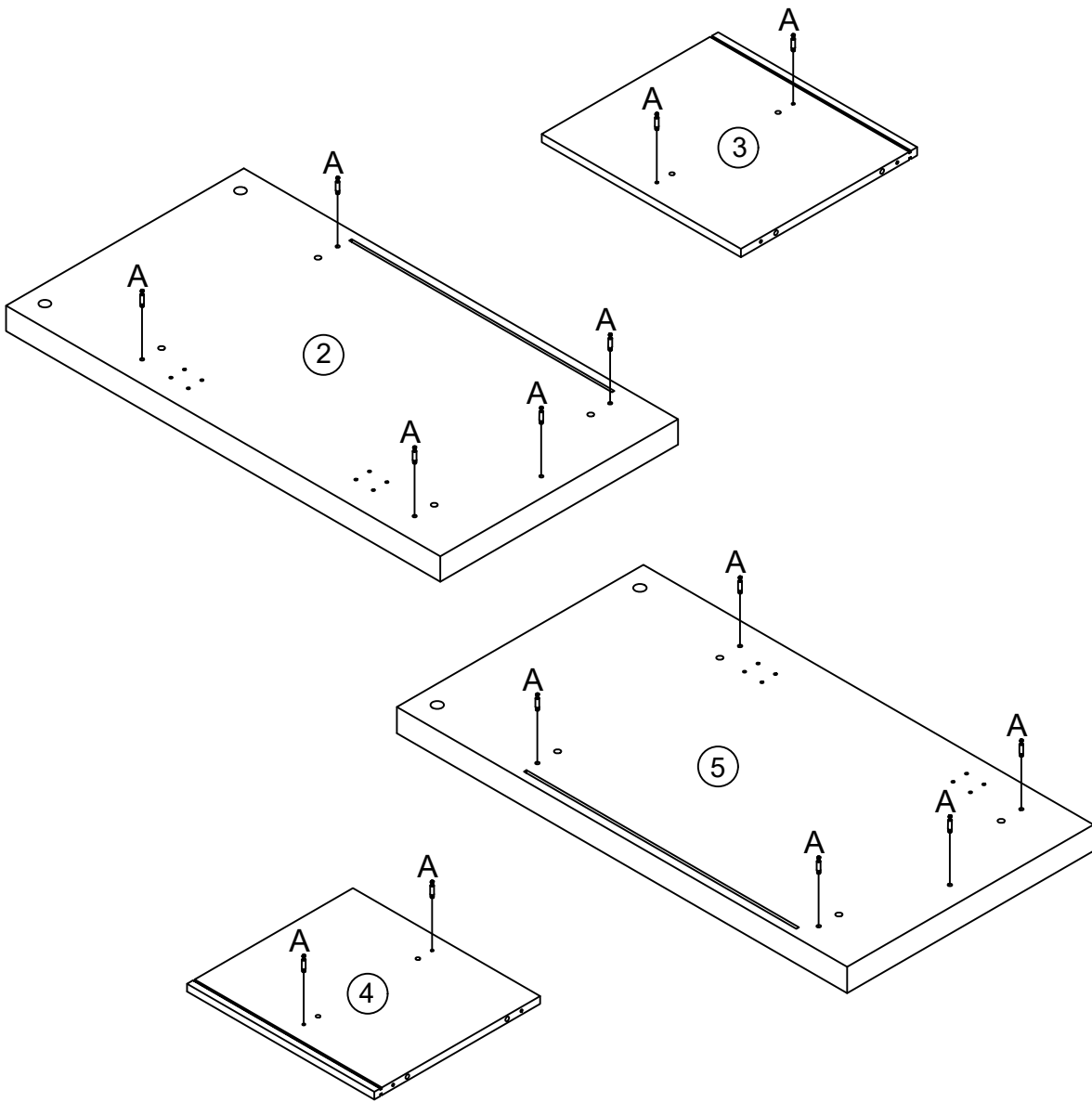


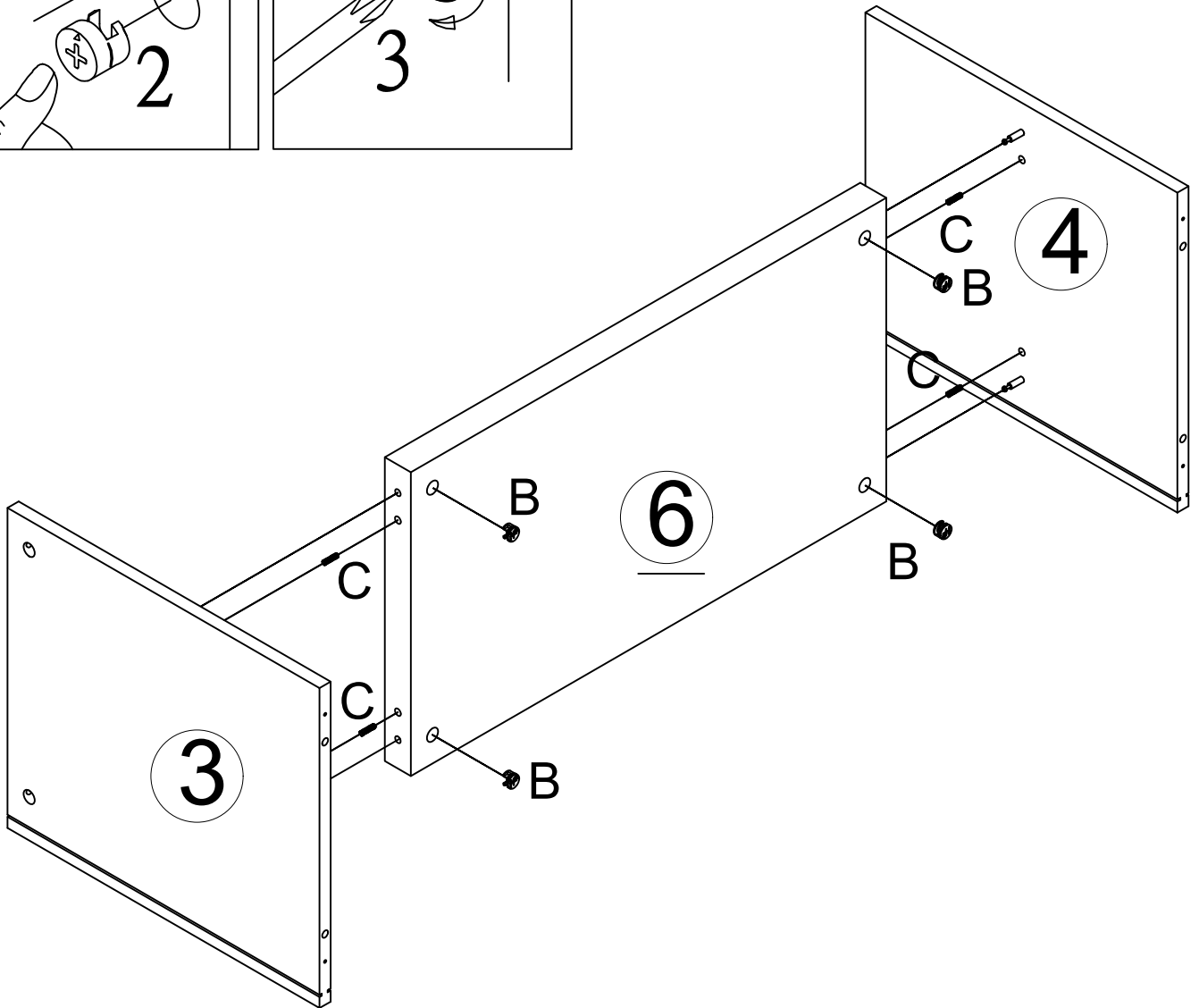
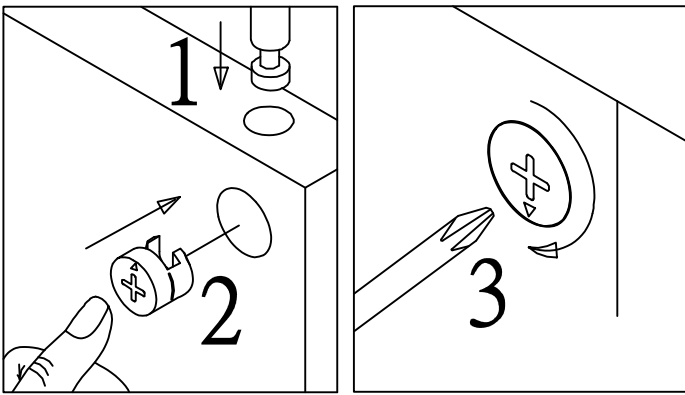
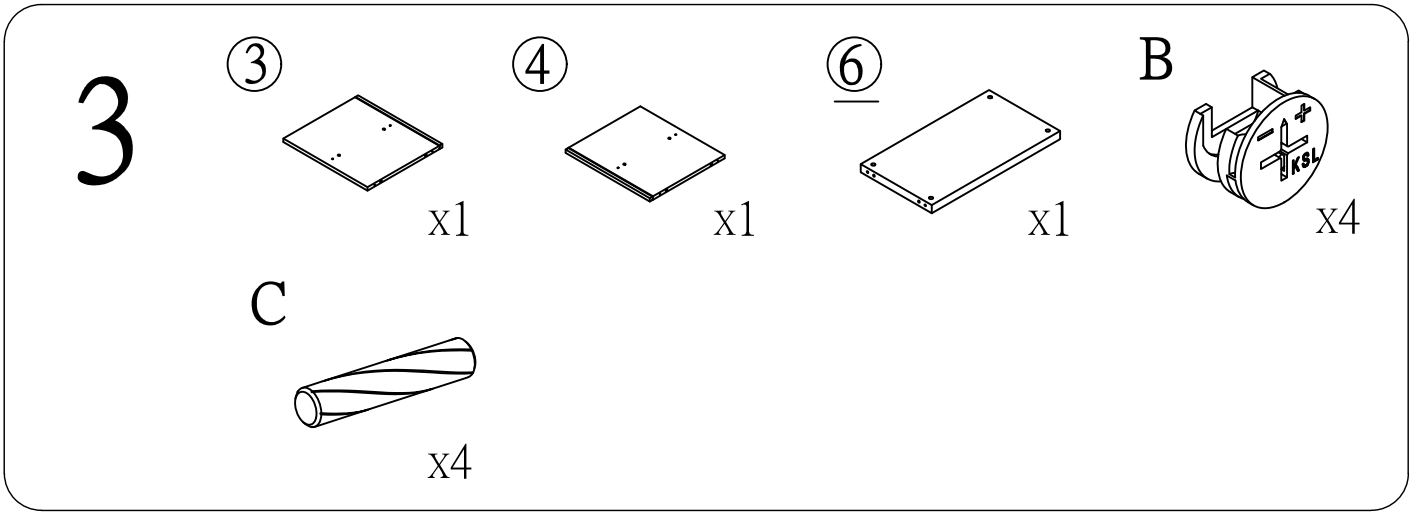
x1

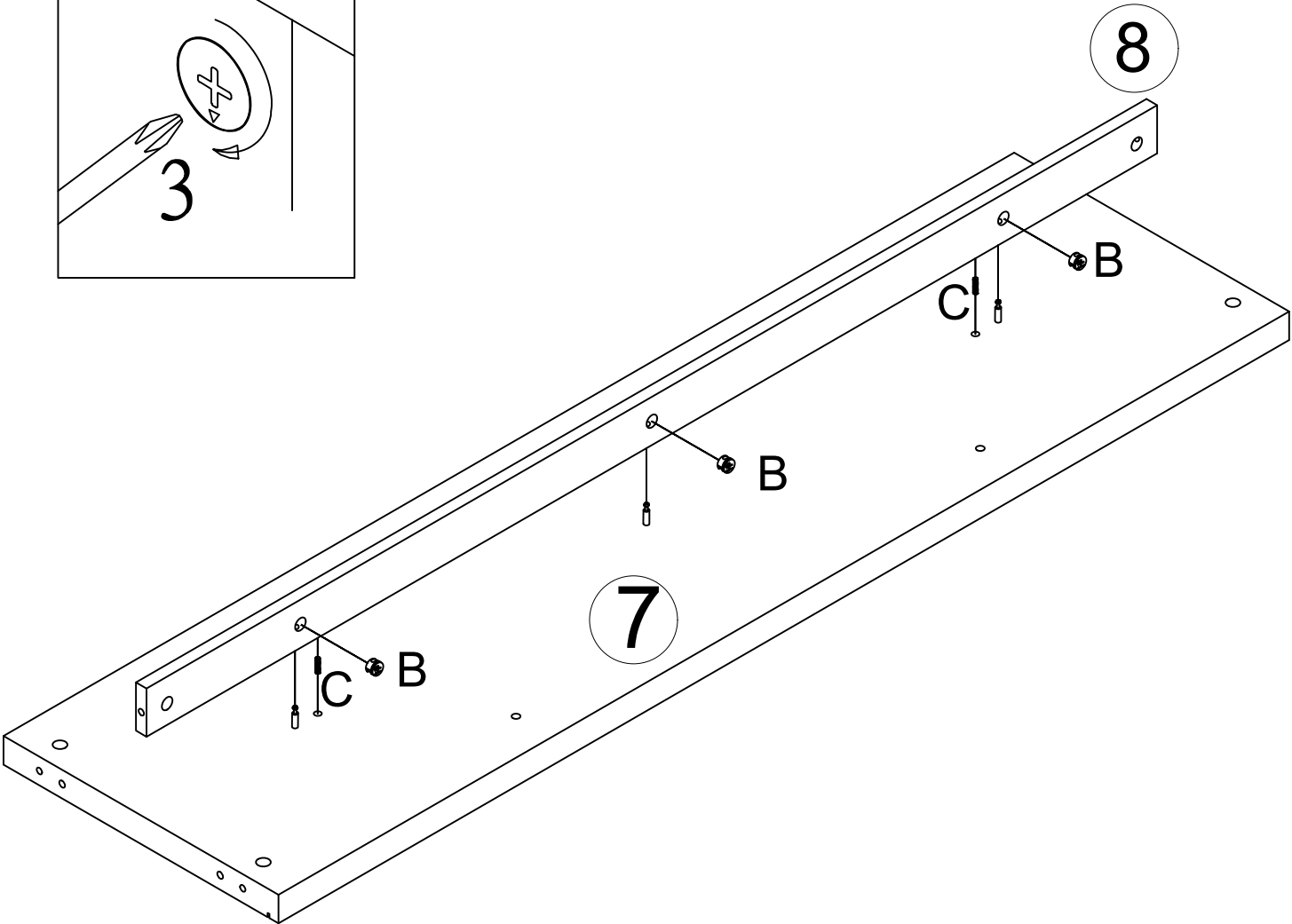
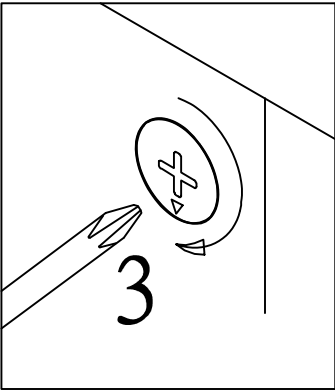
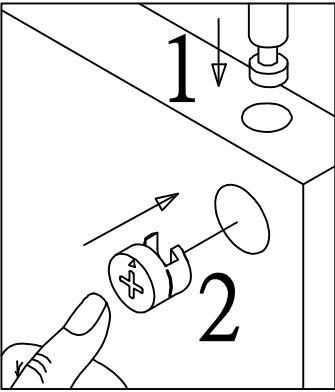
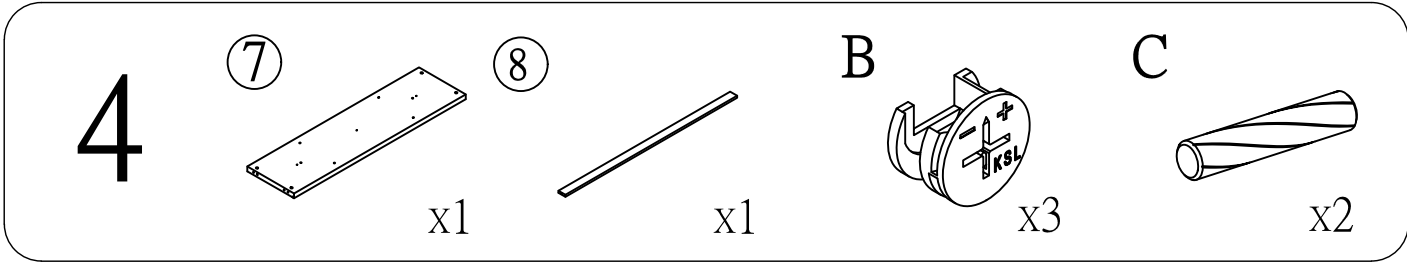
A



x14



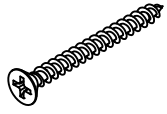




5

G

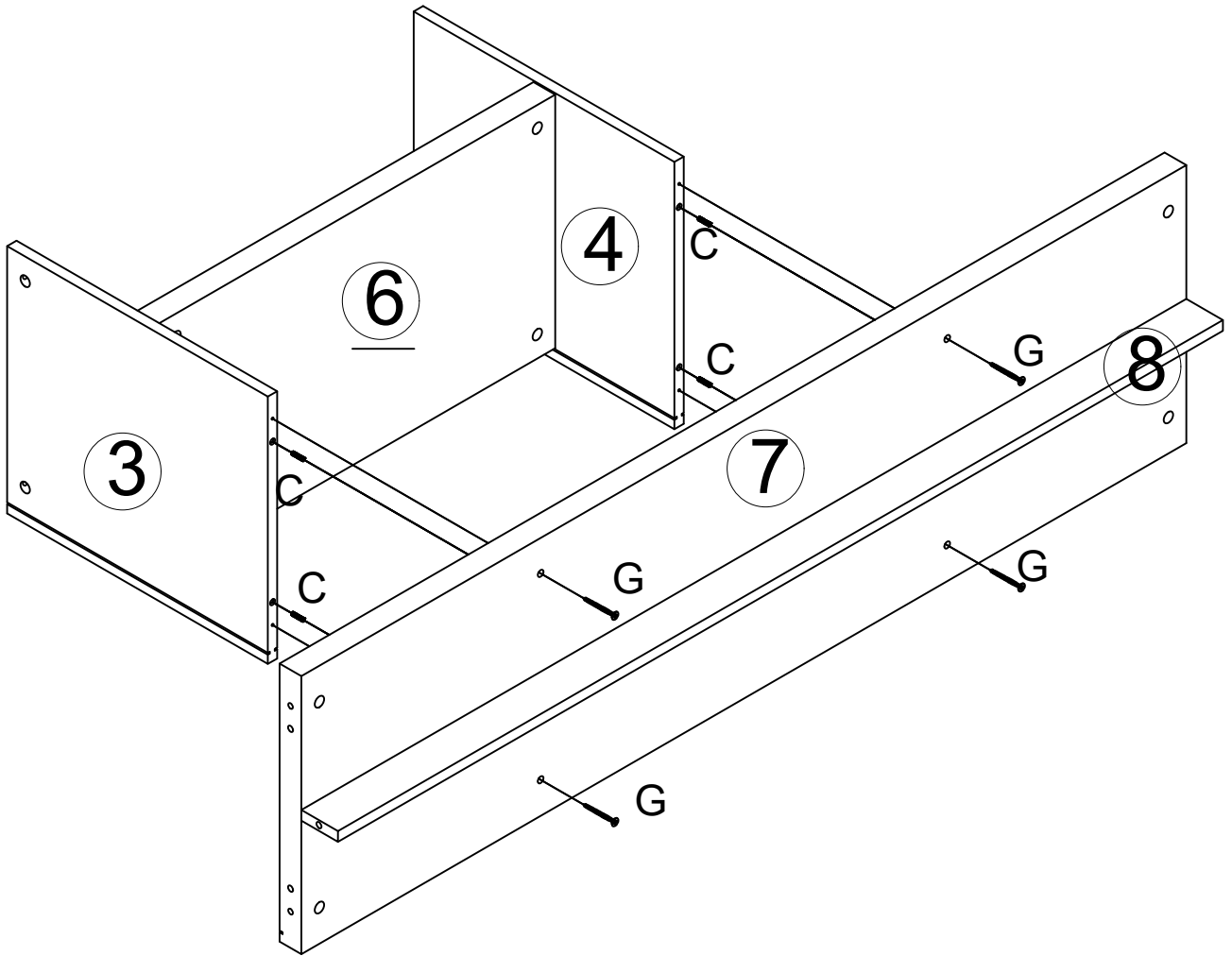
C

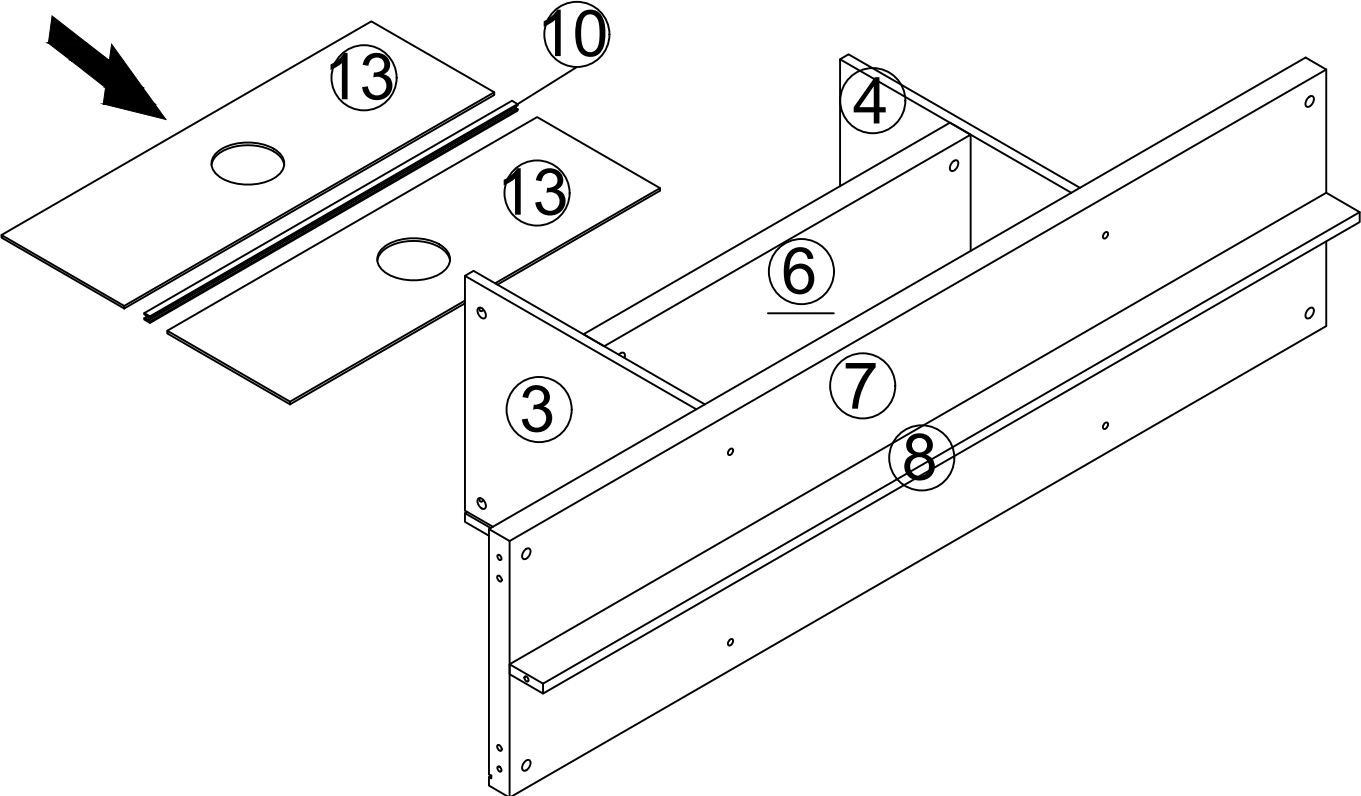
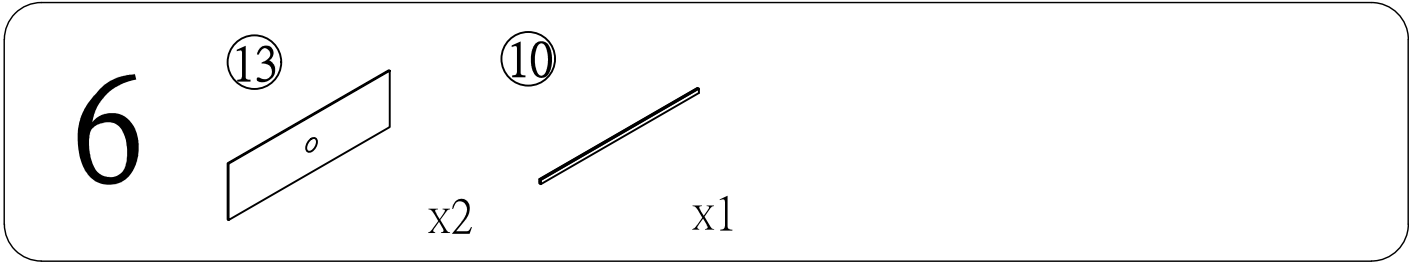


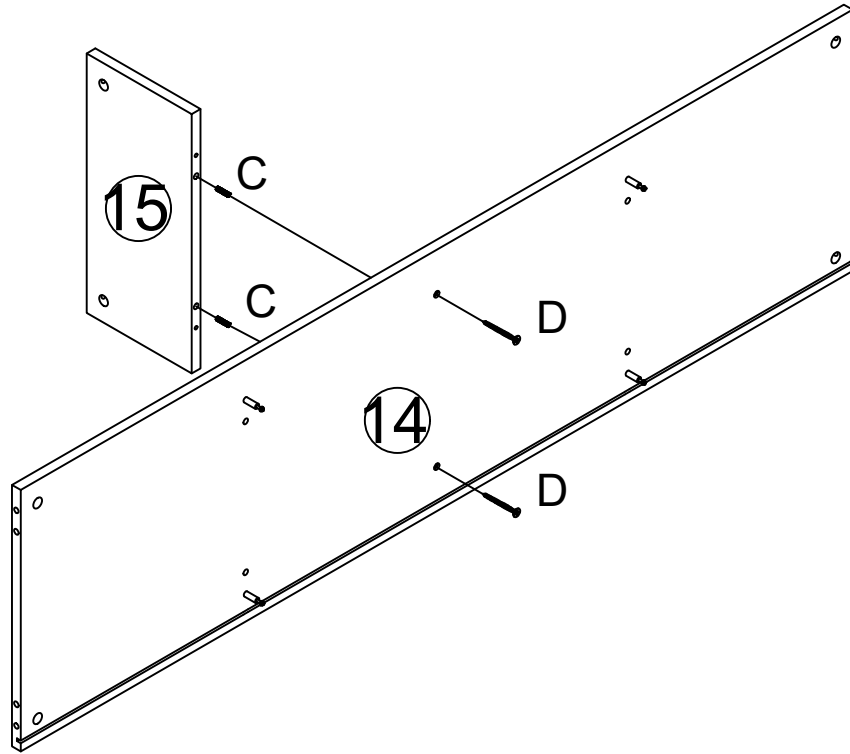
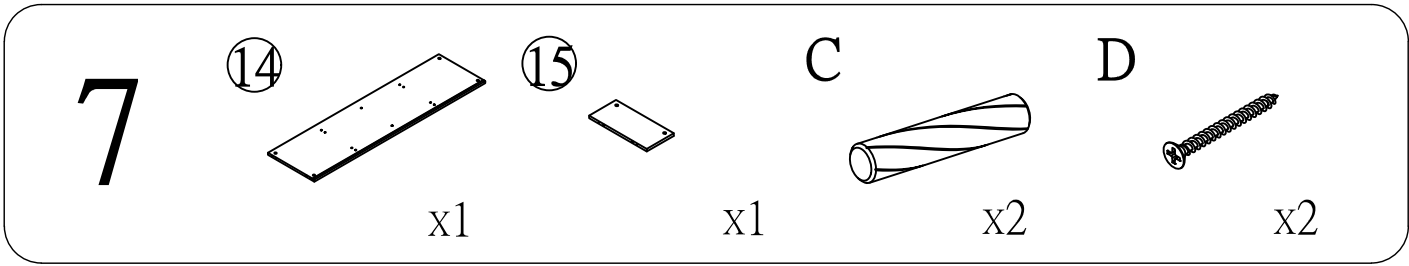
x4

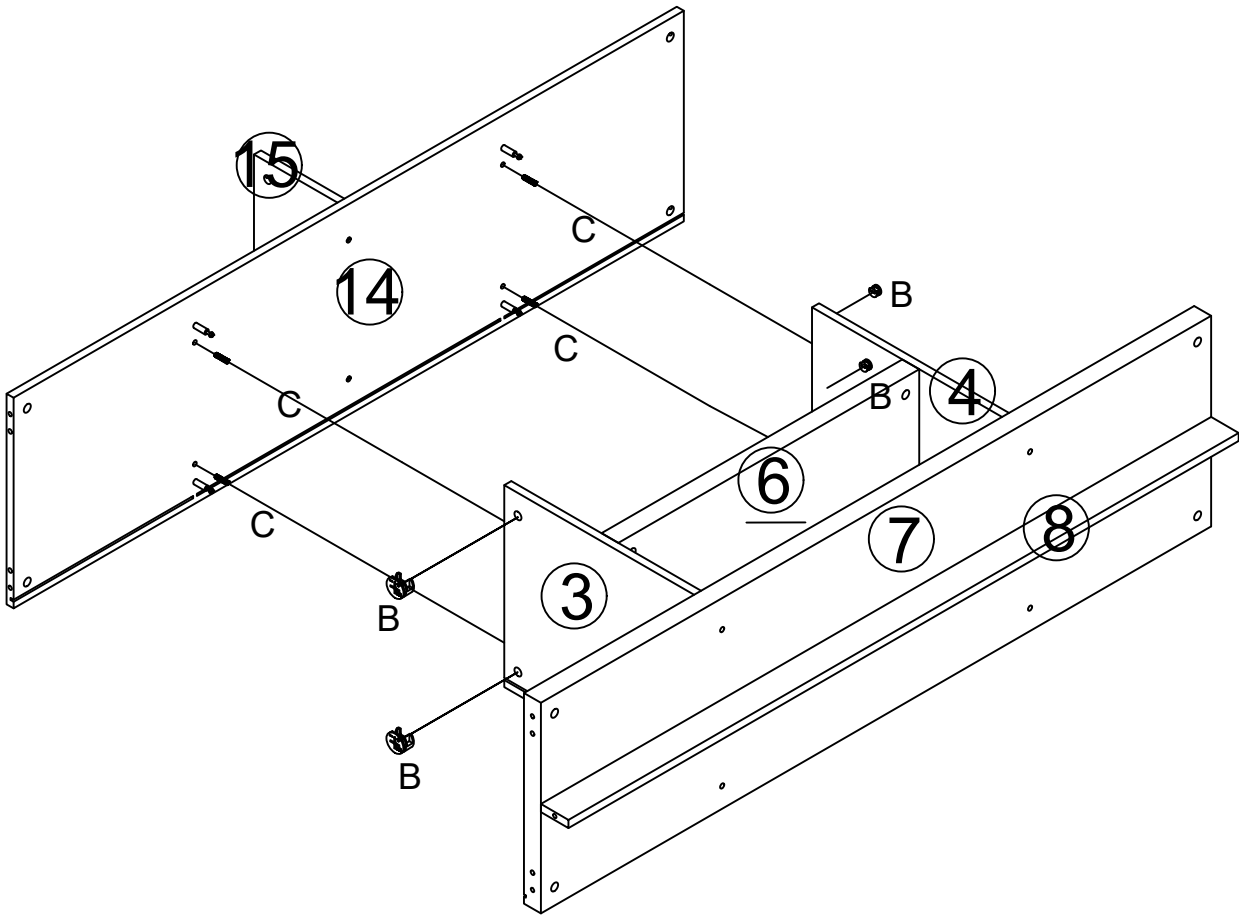
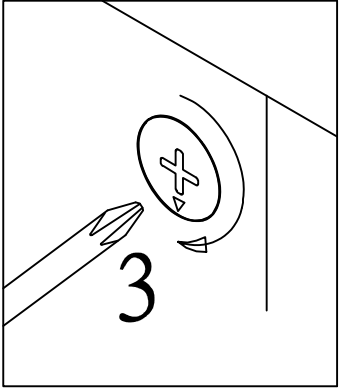
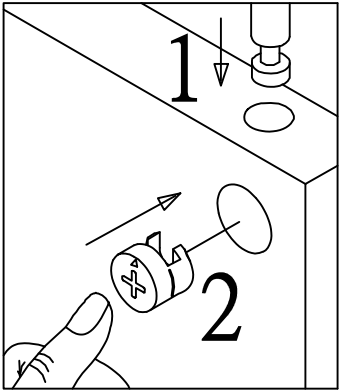
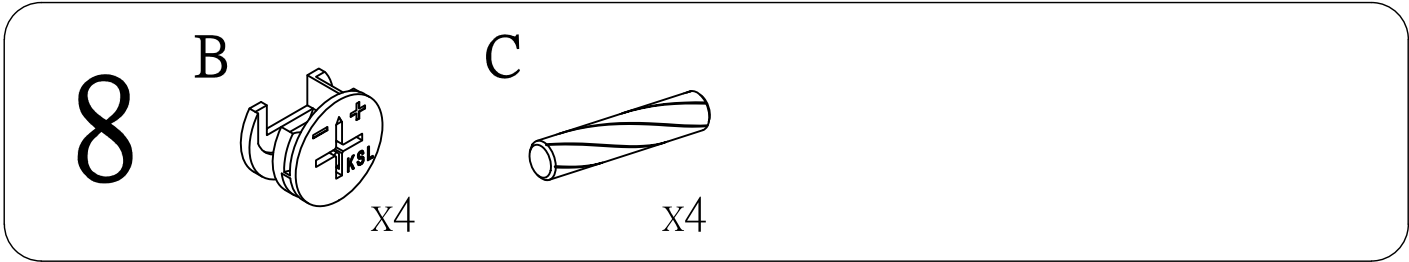


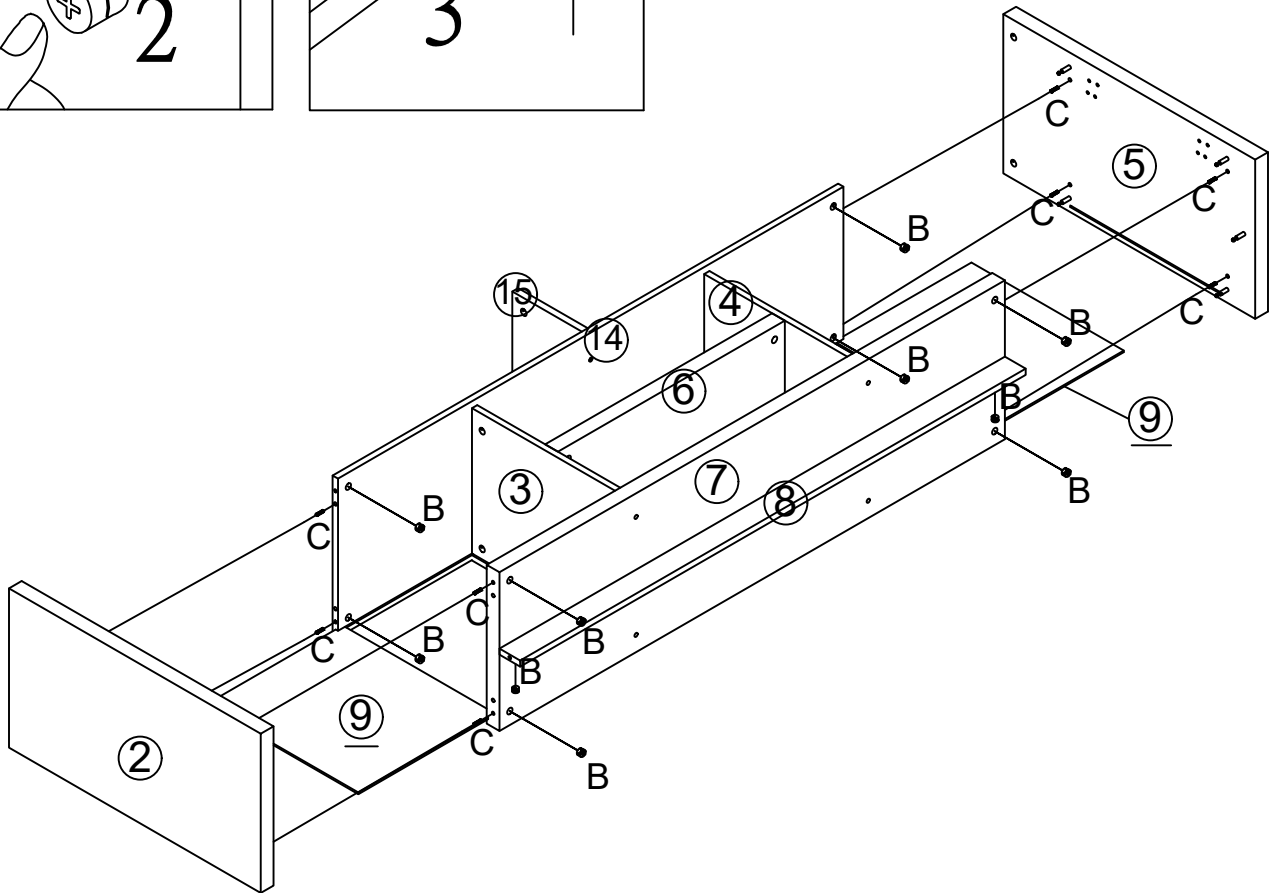
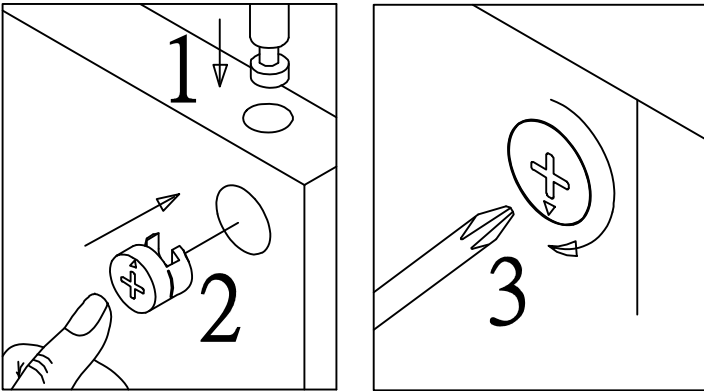
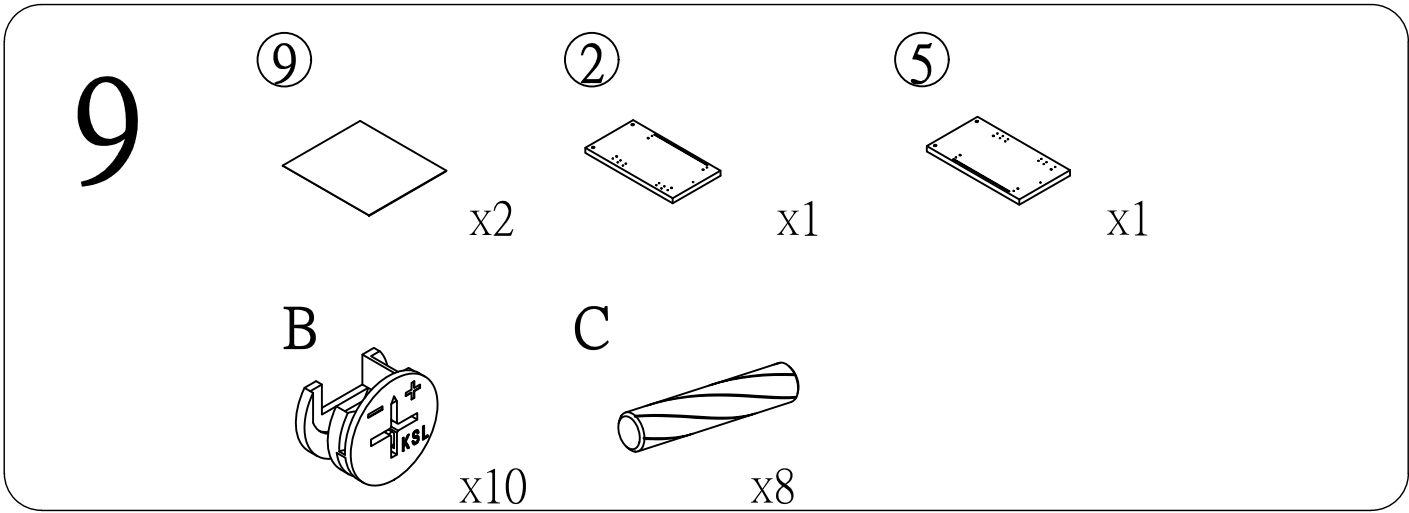
x4



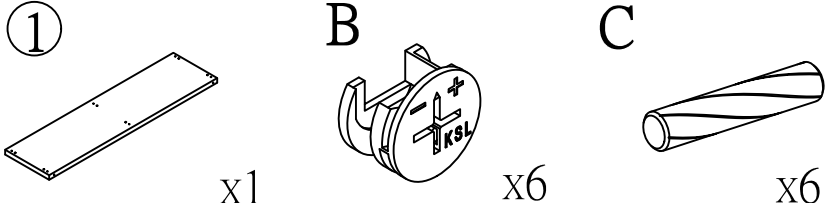




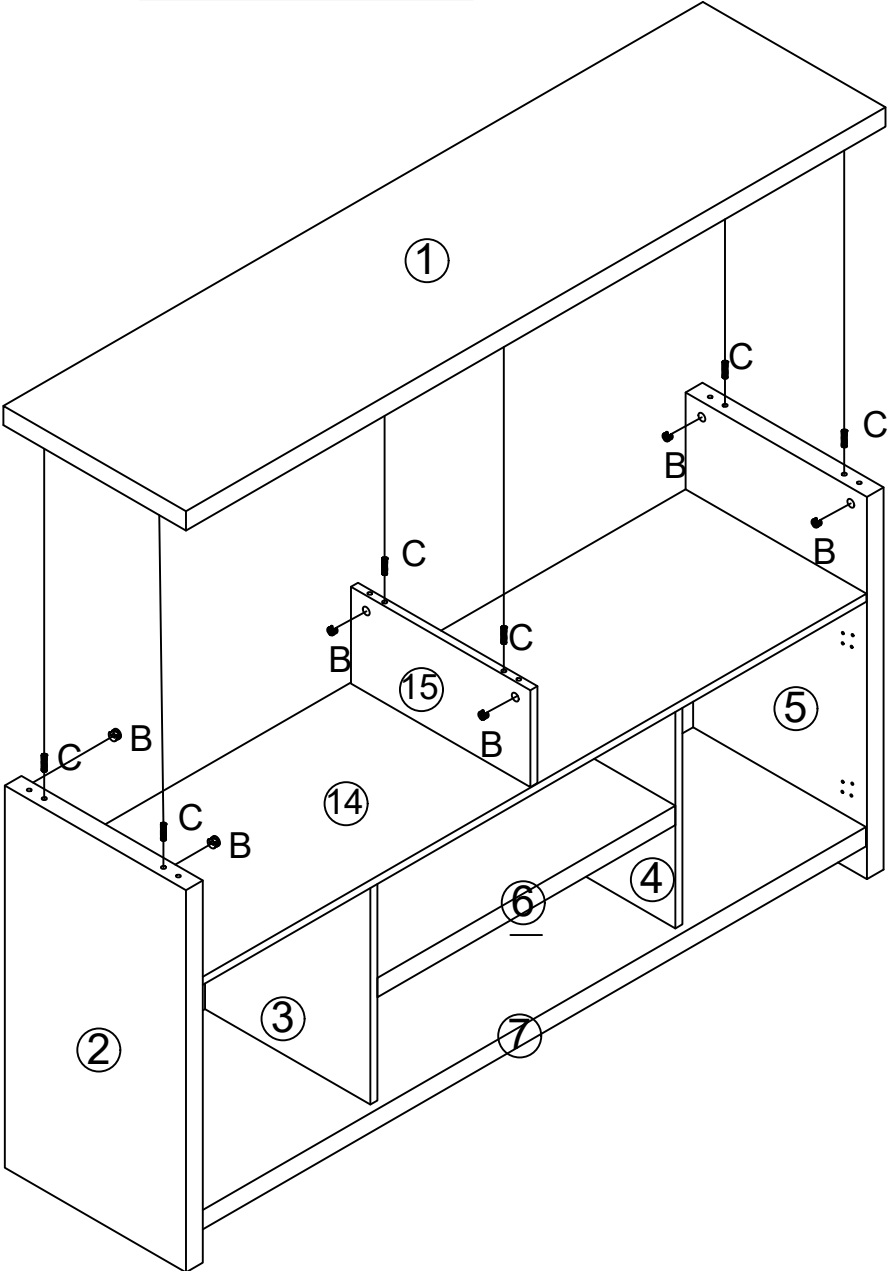
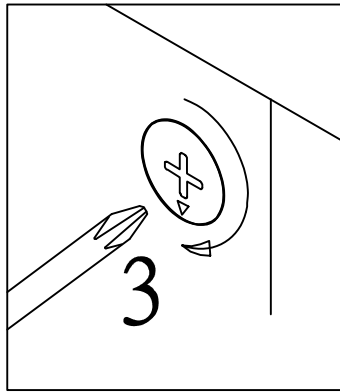
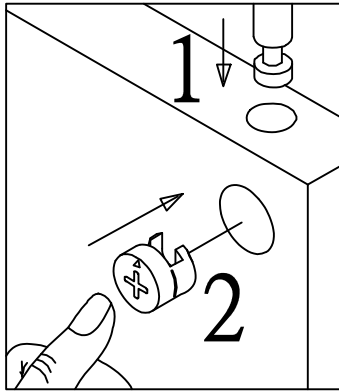




**10** **1** **B** **C**



x1 x6 x6



11

K

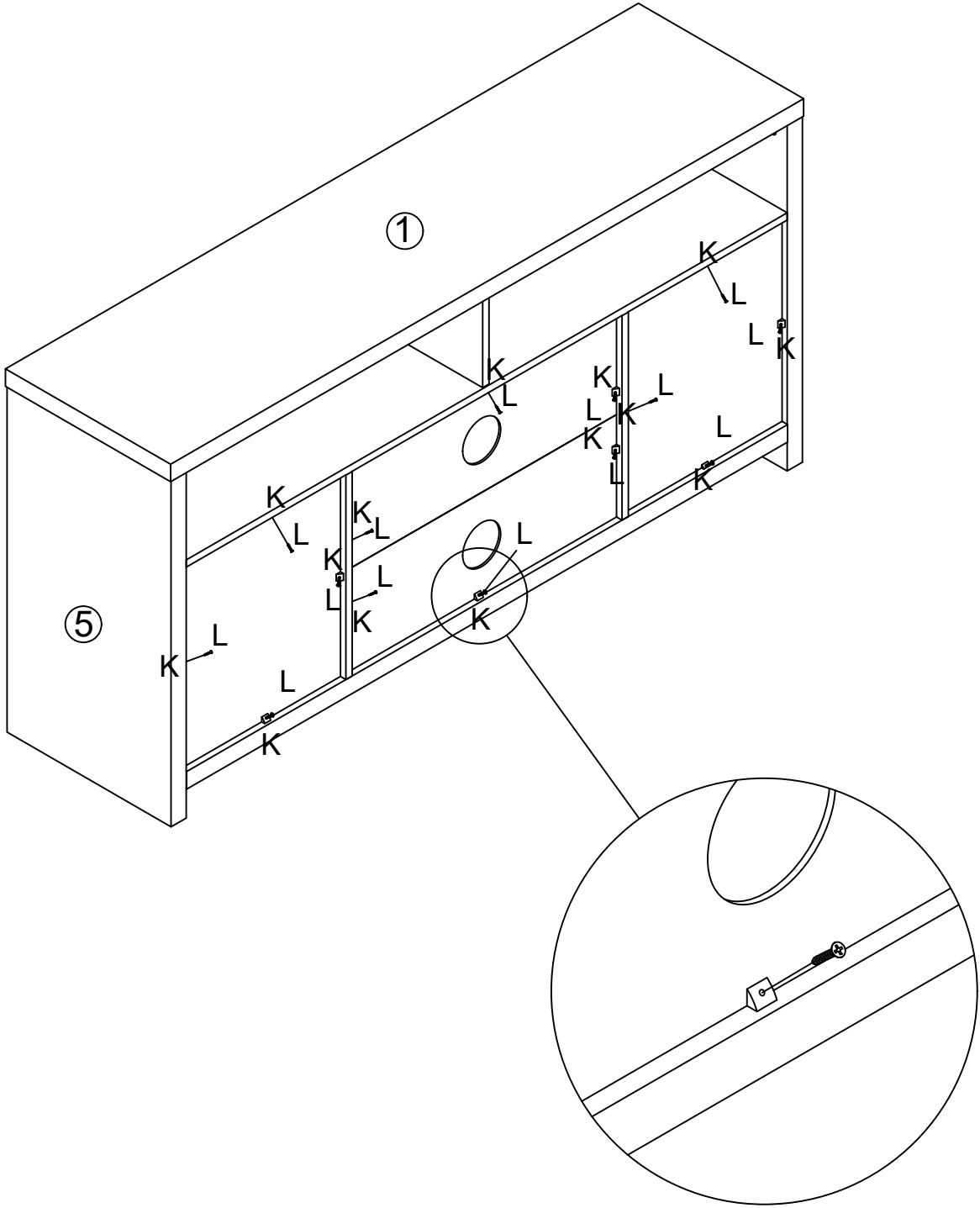


x14

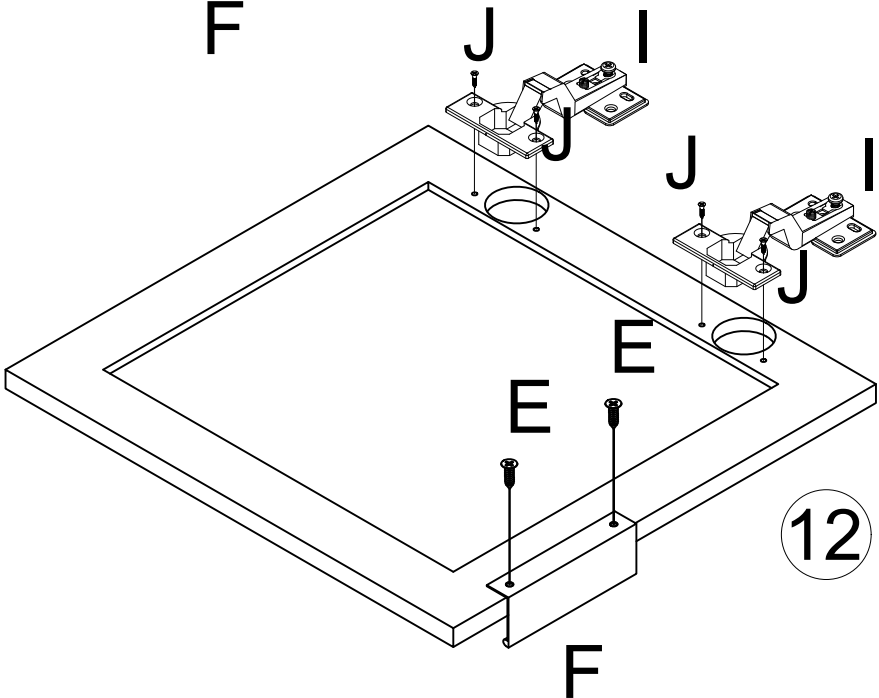
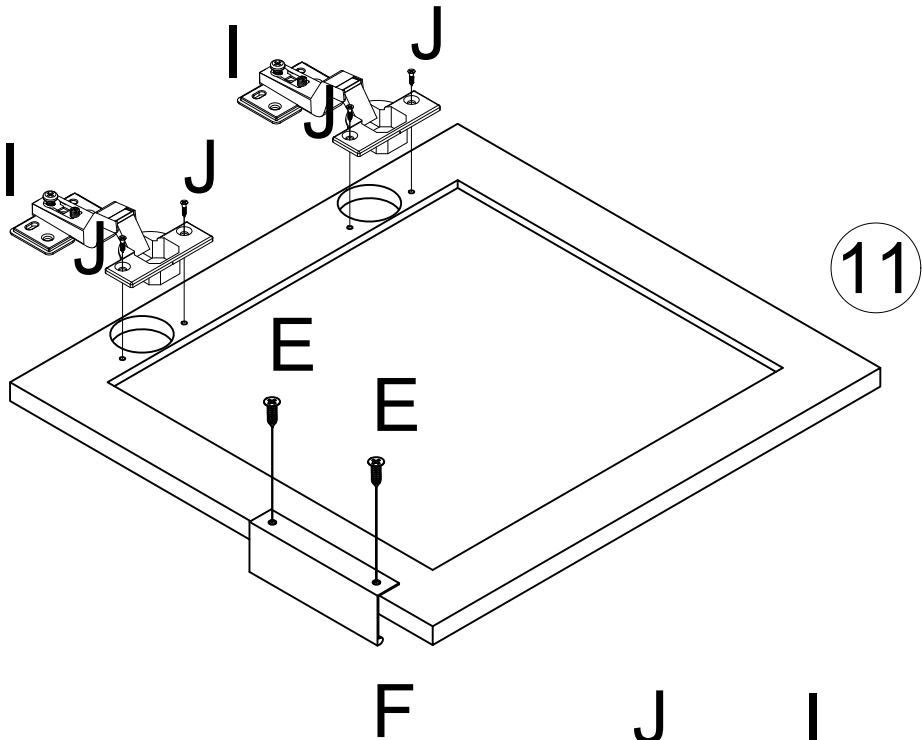
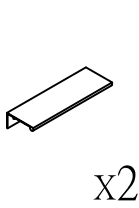
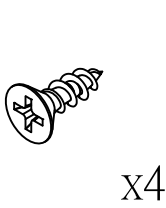
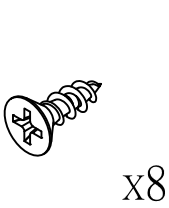
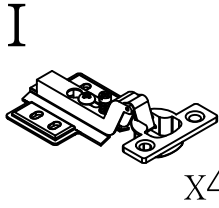
L



x14

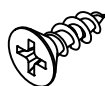


12

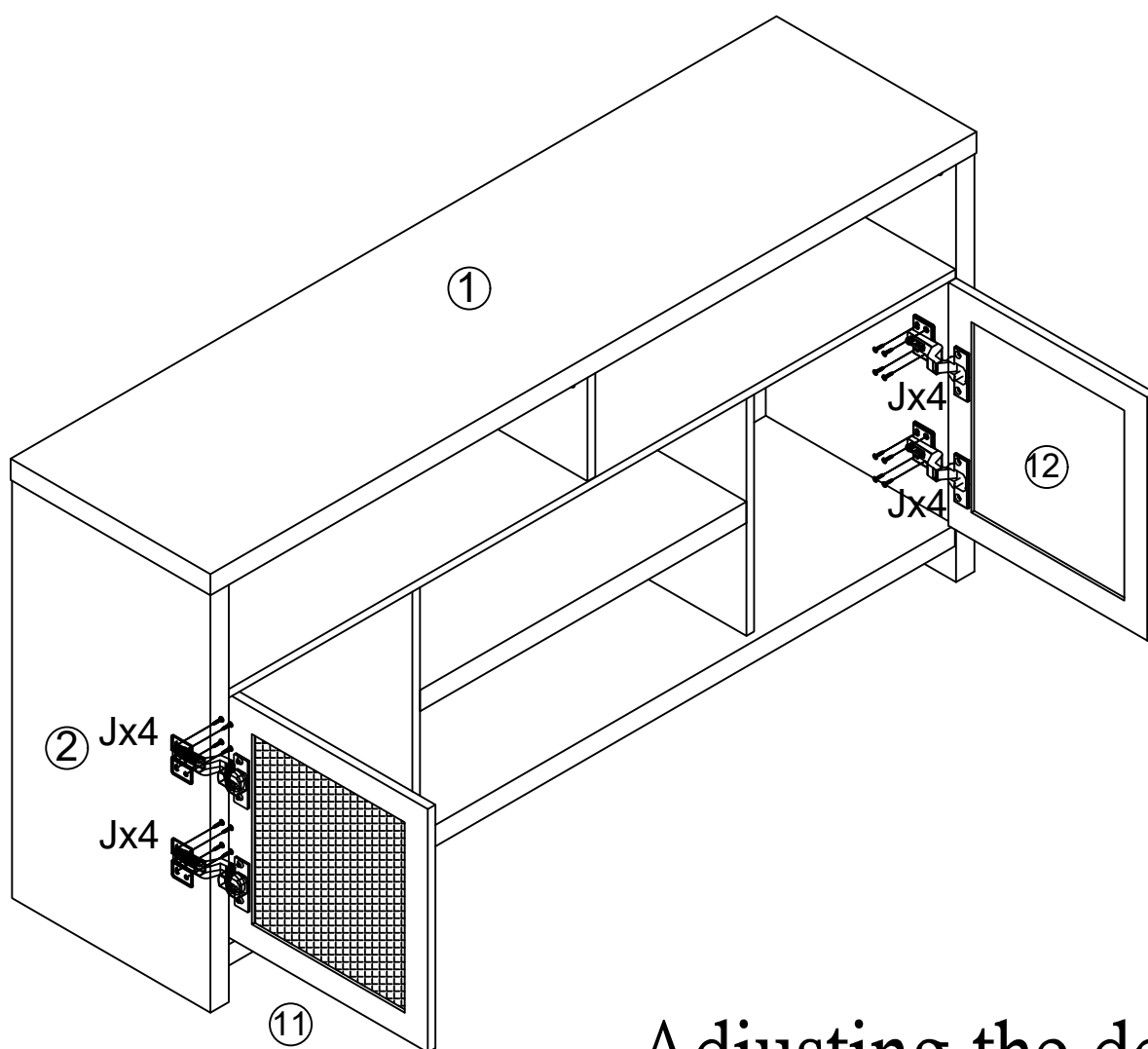


13

J



x16

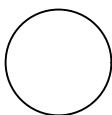


## Adjusting the door

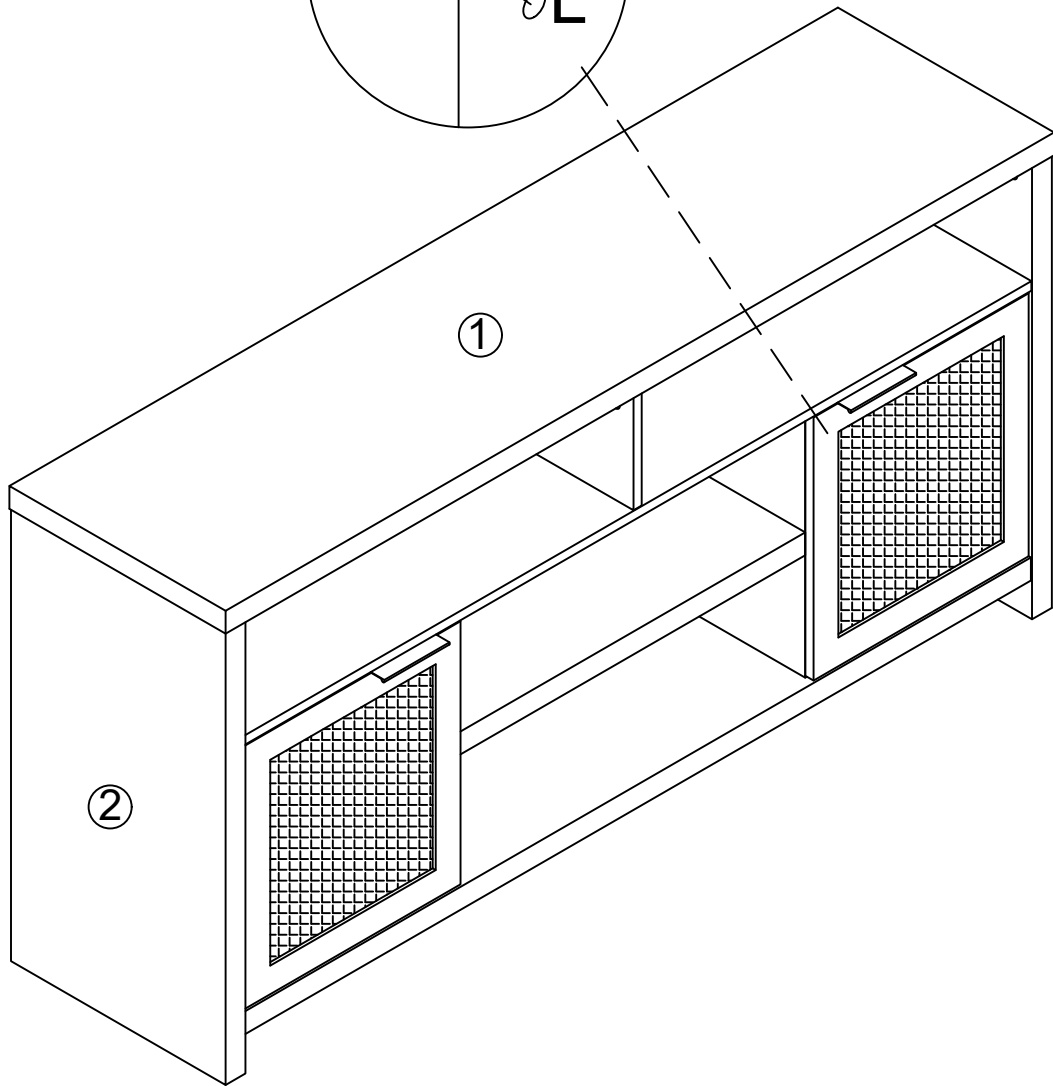
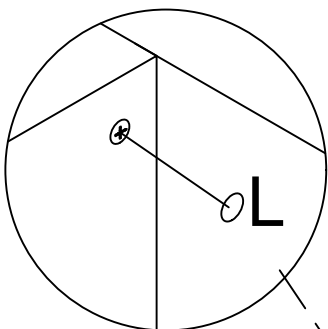
- .Before adjusting the hinge, please check whether the cabinet is skewed
- .If the skew can not be repaired, please remove the anti-tipping device first, then adjust the cabinet to vertical position.
- .Please adjust the hinge with the door open
- .Please operate it with more than 2 people, one person holds the door and the other one adjusts the screw

14

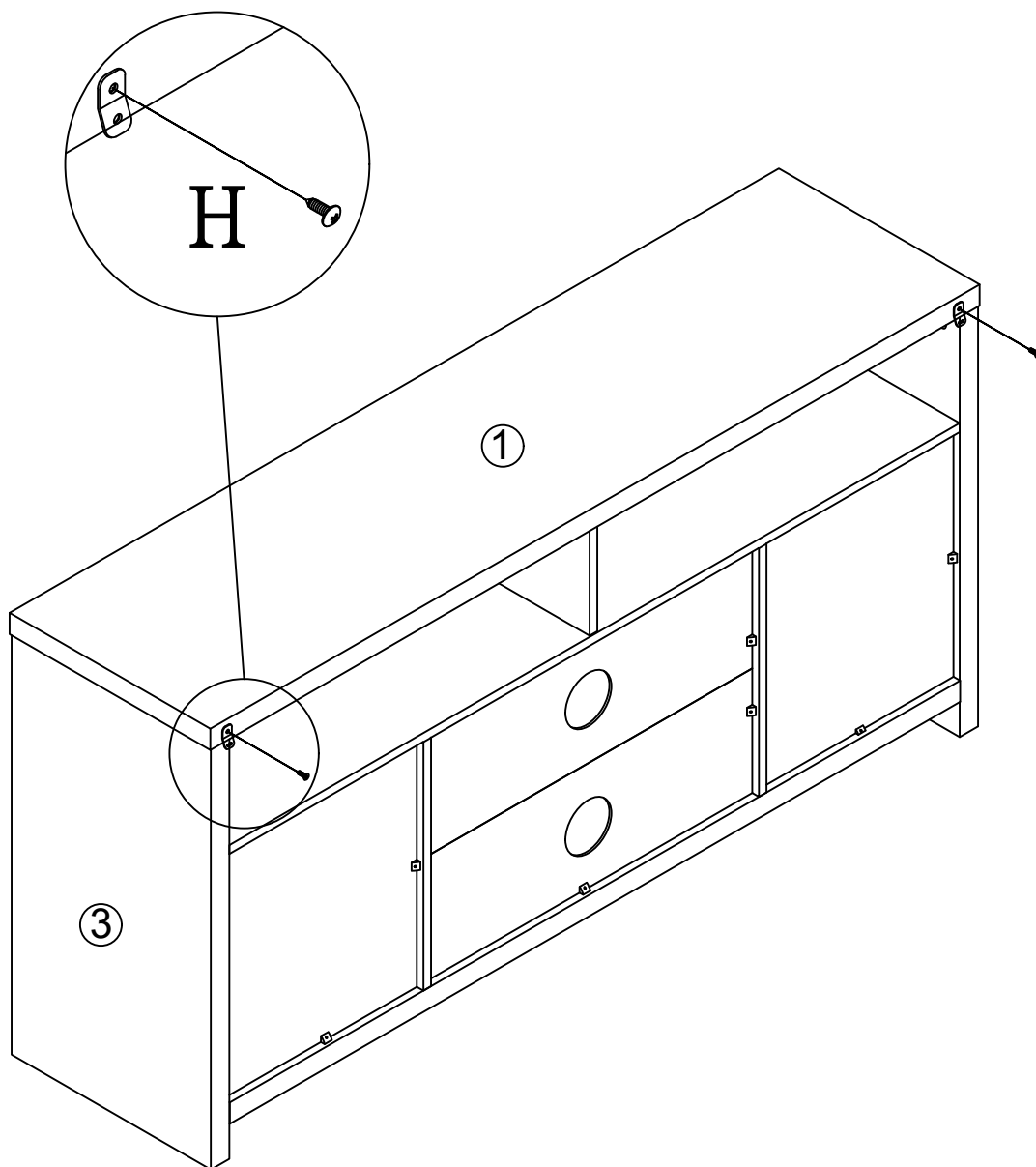
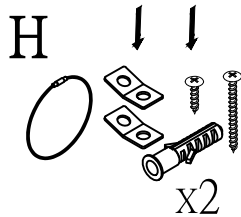
M



X27

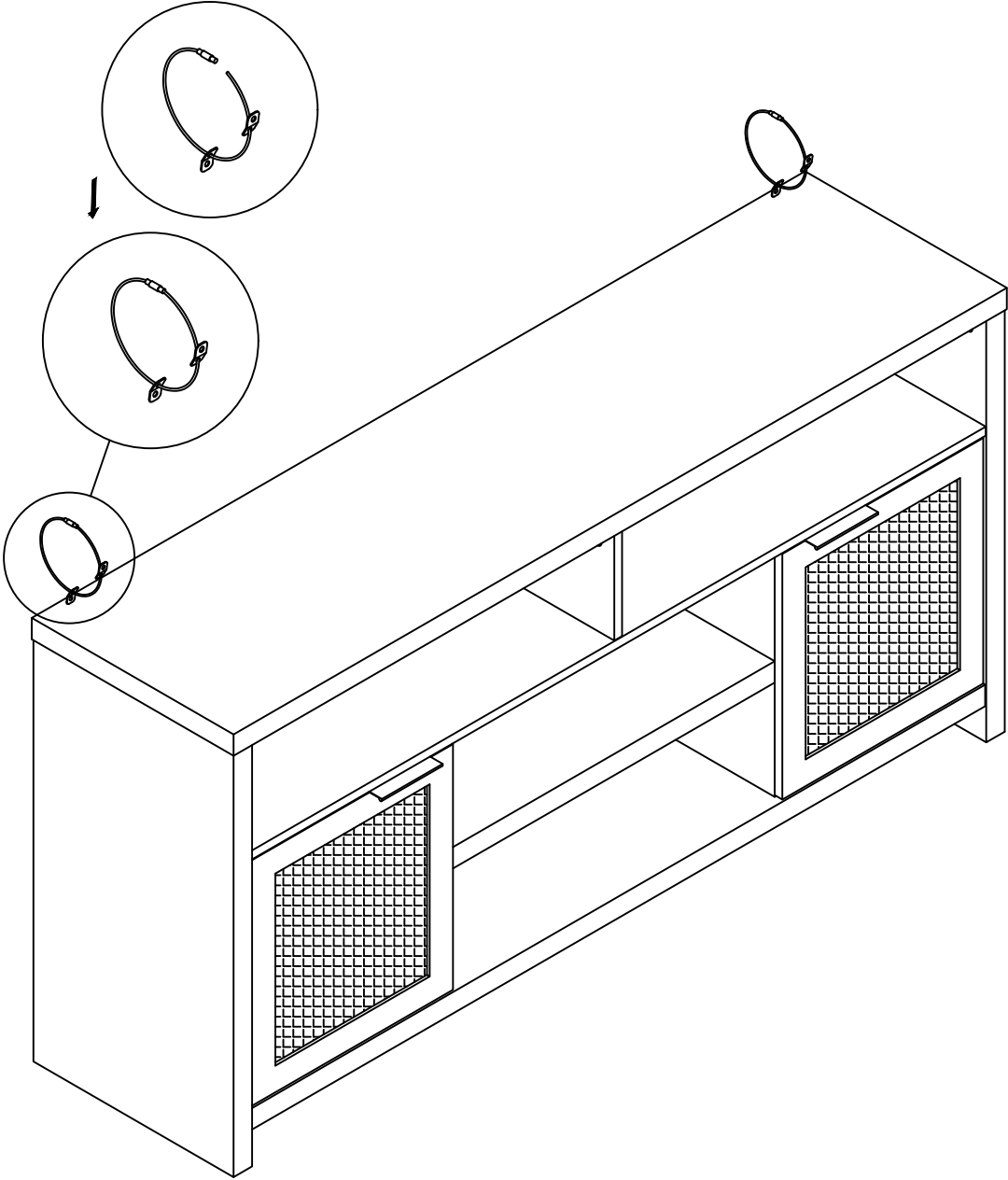


15



16 H

x2

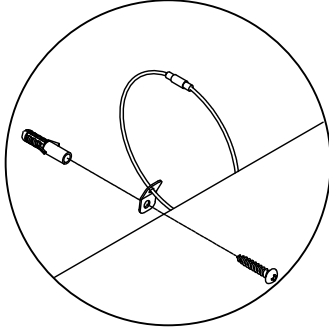
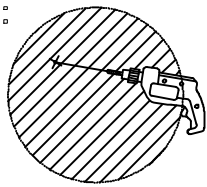


17 H

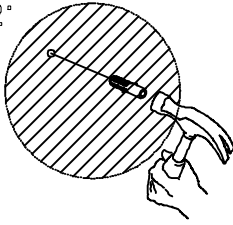


x2

1:



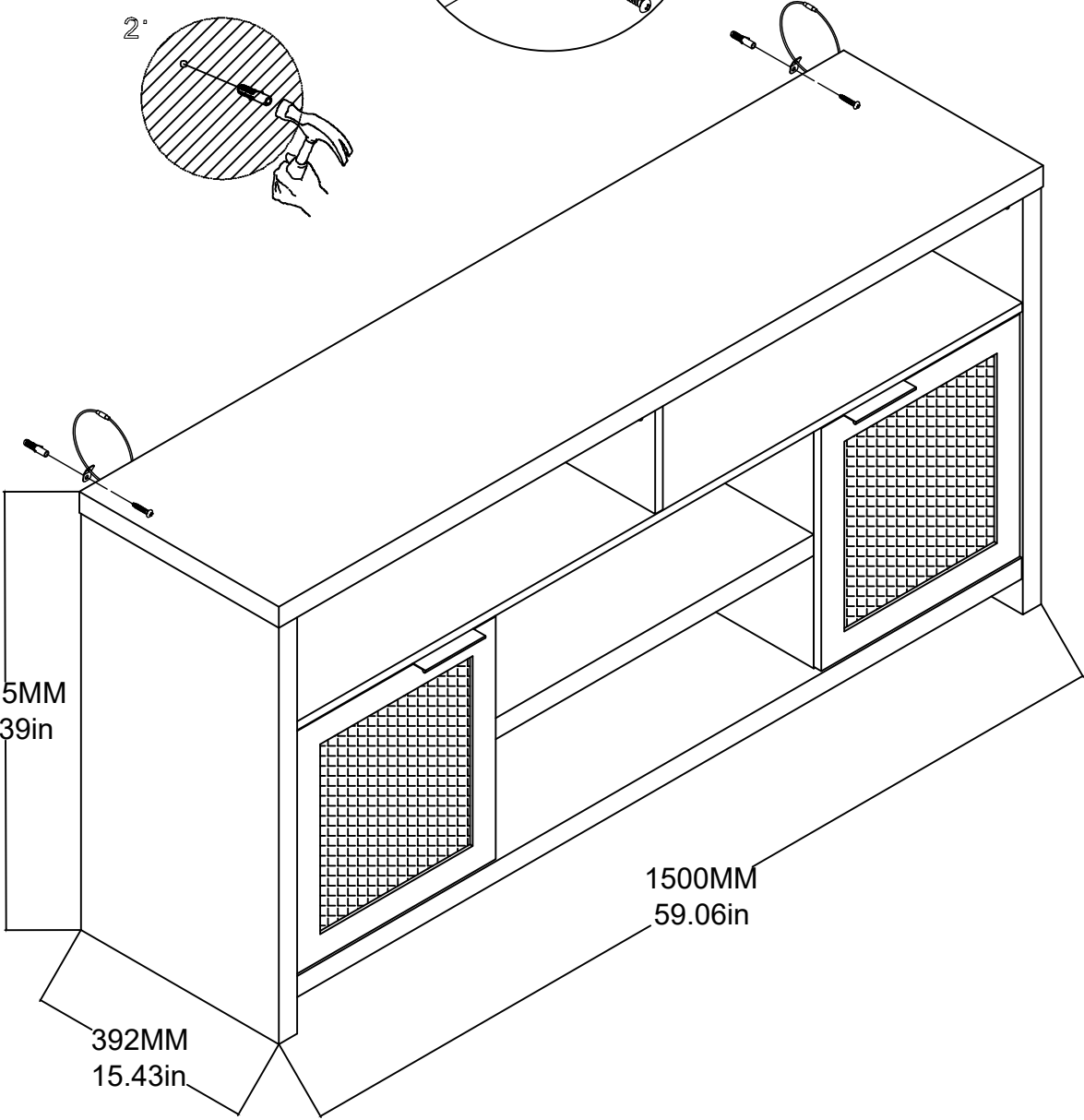
2:



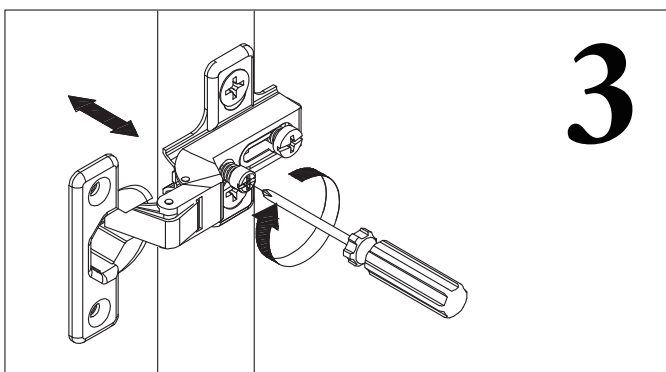
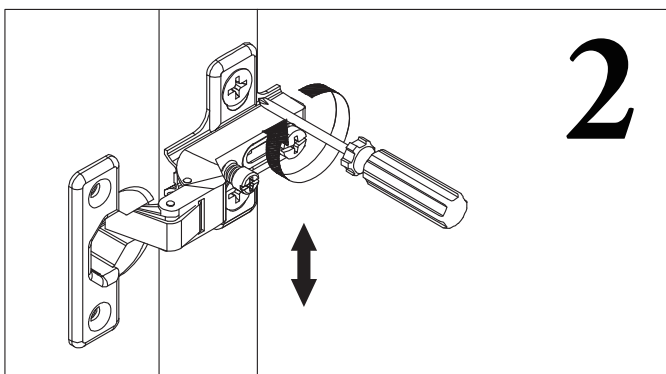
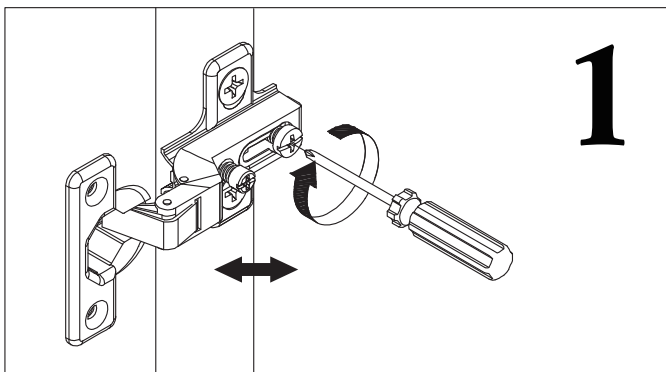
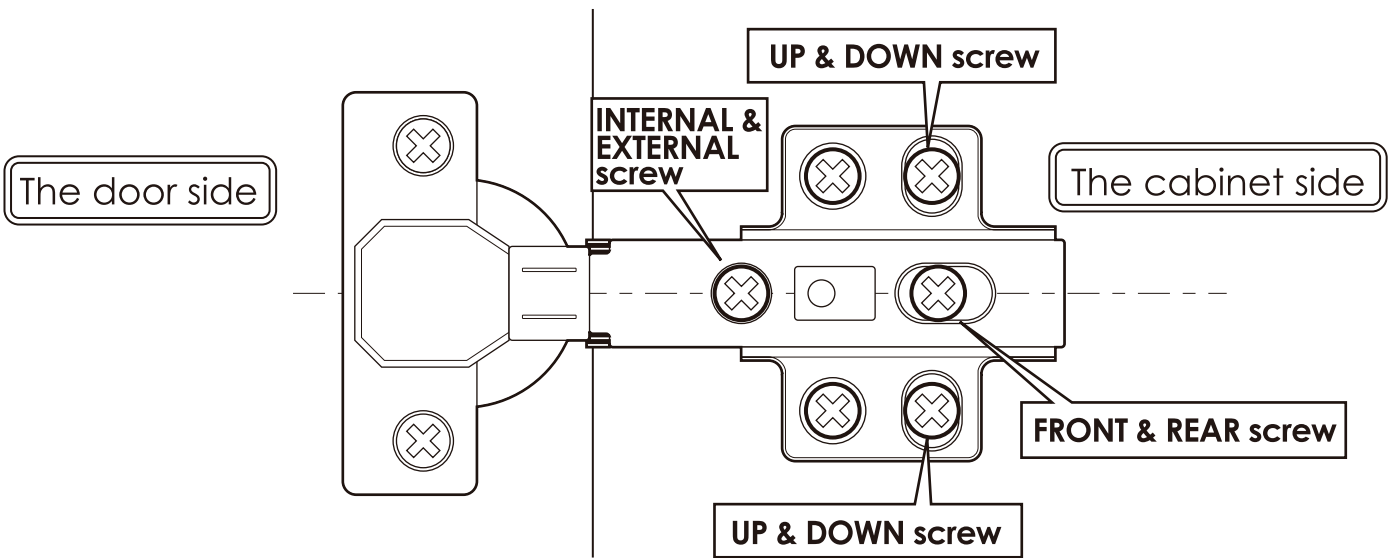
746.5MM  
29.39in

1500MM  
59.06in

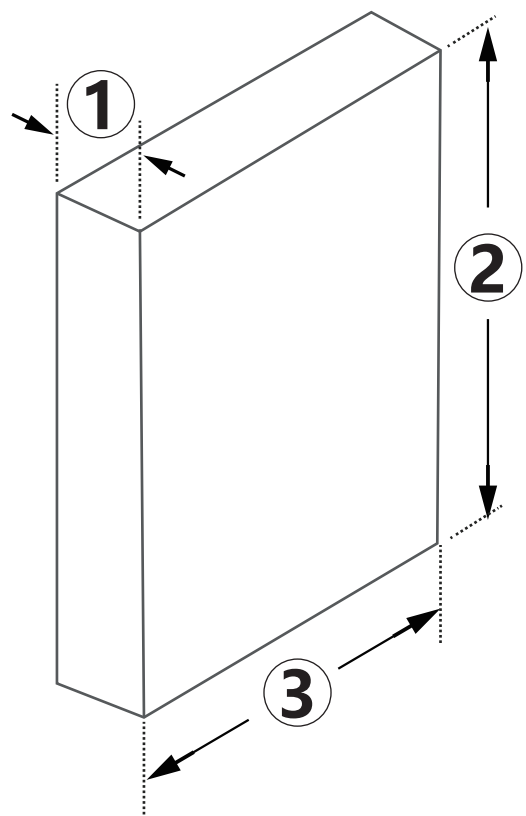
392MM  
15.43in



# Components Name



Doors may need to be adjusted after the initial shipping of the cabinet . The cabinet doors have a three-way adjustment fea-ture. Height, side to side, level and depth can be adjusted. With the hinge slightly closed you can access the middle screw for up / down adjustment . With the hinge fully extended you can access the front and back screws. These screws will move the door side to side and in and out.



# Thank You!

*For Purchasing from us*

Despite our reinforced packaging, transit mishandling can sometimes occur. In the rare event that your product arrives damaged, we're here to assist you. If your product is in perfect condition, you can disregard this message.

If you discover any damage upon receipt of your package, please contact our after-sales mailbox immediately at [care@oakhamdesign.com](mailto:care@oakhamdesign.com).

Additionally, we kindly request your assistance in filing a claim against the shipping carrier for the mishandling of your package. Please help us by providing clear photos as follows:

**Complete Shipping Label (Express Delivery Waybill):** Take a clear image of the entire ★ shipping label affixed to the package with visible and legible text and barcodes

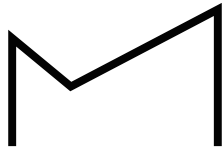
**Exterior Packaging Damage:** Capture a comprehensive photo showing the damaged ★ exterior of the shipping package.

**Interior Item Damage:** Provide images focusing on the damaged areas of product ★

Your cooperation is invaluable, and we assure you that we're committed to resolving this issue promptly. Your satisfaction remains our top priority.

Thank you for your understanding and assistance.

Best regards,



[www.oakhamdesign.com](http://www.oakhamdesign.com)