

ASSEMBLY INSTRUCTION

2-TIER COFFEE TABLE

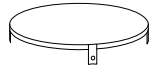
ATTENTION: We have provided EXTRA SCREWS of A in case of any screws missing in the boxes.

PART LIST



TOP PANEL

① x1 PC



BOTTOM PANEL

② x1 PC



SIDE FRAME

③ x4 PCS

HARDWARE



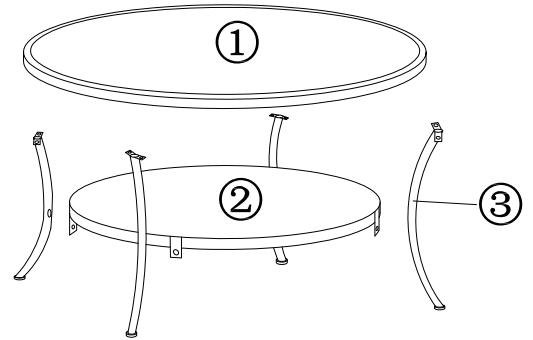
BOLT

Ax12 PCS



ALLEN KEY

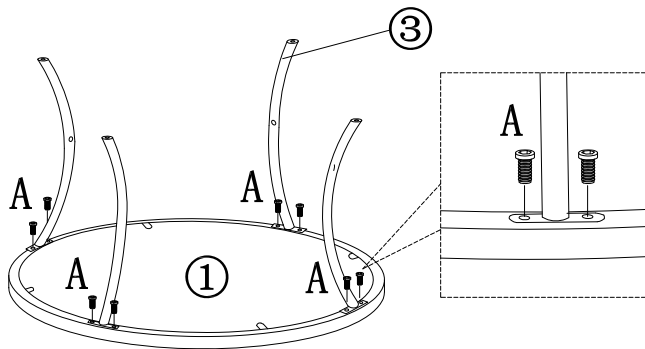
Bx1 PC



NOTED:

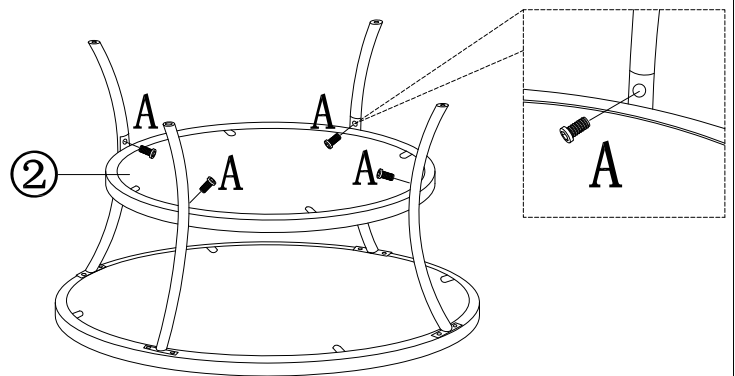
1. Assemble this item on a soft surface, cardboard or carpet, to protect finish.
2. Check to ensure all parts and hardware present. Complete assembly required by 2 adults.

1 Do not fully tighten all bolts



A X 8PCS

2 Do not fully tighten all bolts



A X 4PCS

3 Finally tighten all bolts with Allen Key.

