

Assembly instructions



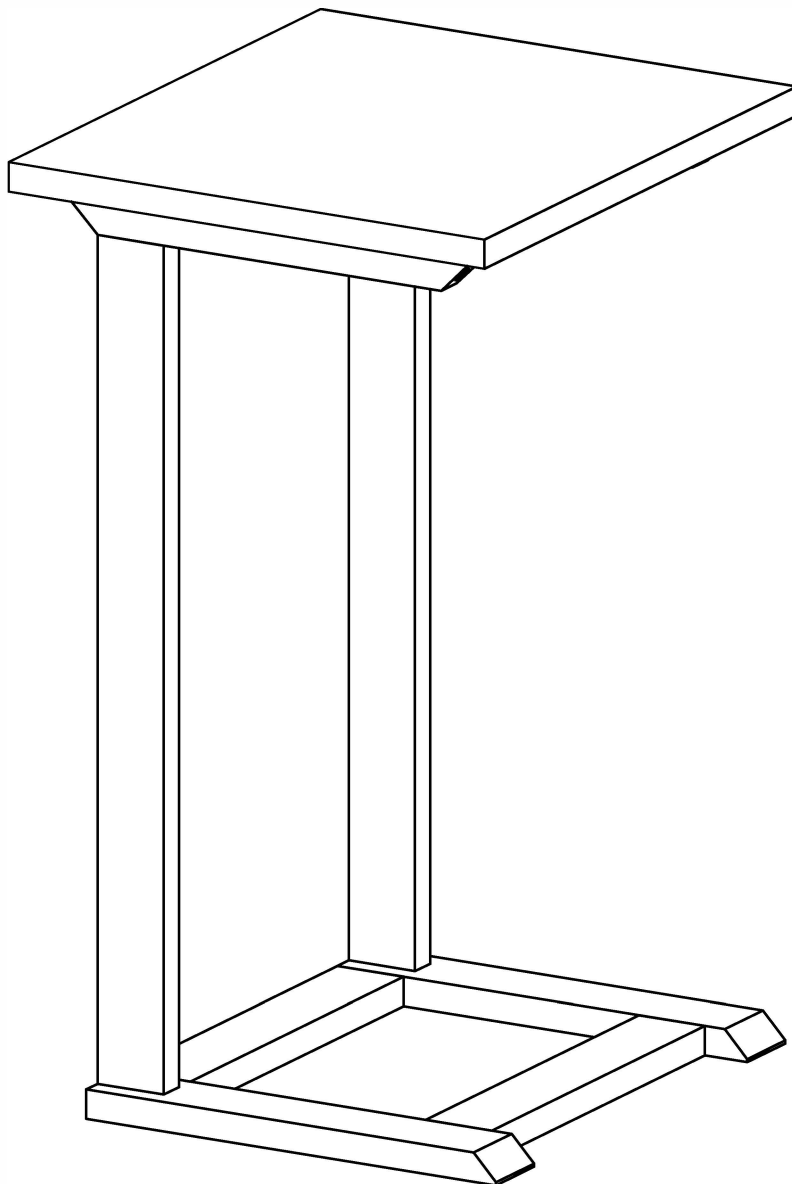
CUSTOMER SERVICE QUESTION & INFORMATION

For missing hardware, damaged parts, or questions concerning assembly,
please contact us.

ASSEMBLY INSTRUCTIONS

SOFA SERVER C-TABLE - NATURAL FINISH

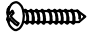



Place all parts on a clean and soft surface such as a rug or carpet to avoid scratching during assembly. Please follow all assembly instructions step by step. It is best to use a screwdriver as opposed to a drill during assembly to avoid over tightening or stripping screws/bolts.



CUSTOMER SERVICE QUESTION & INFORMATION

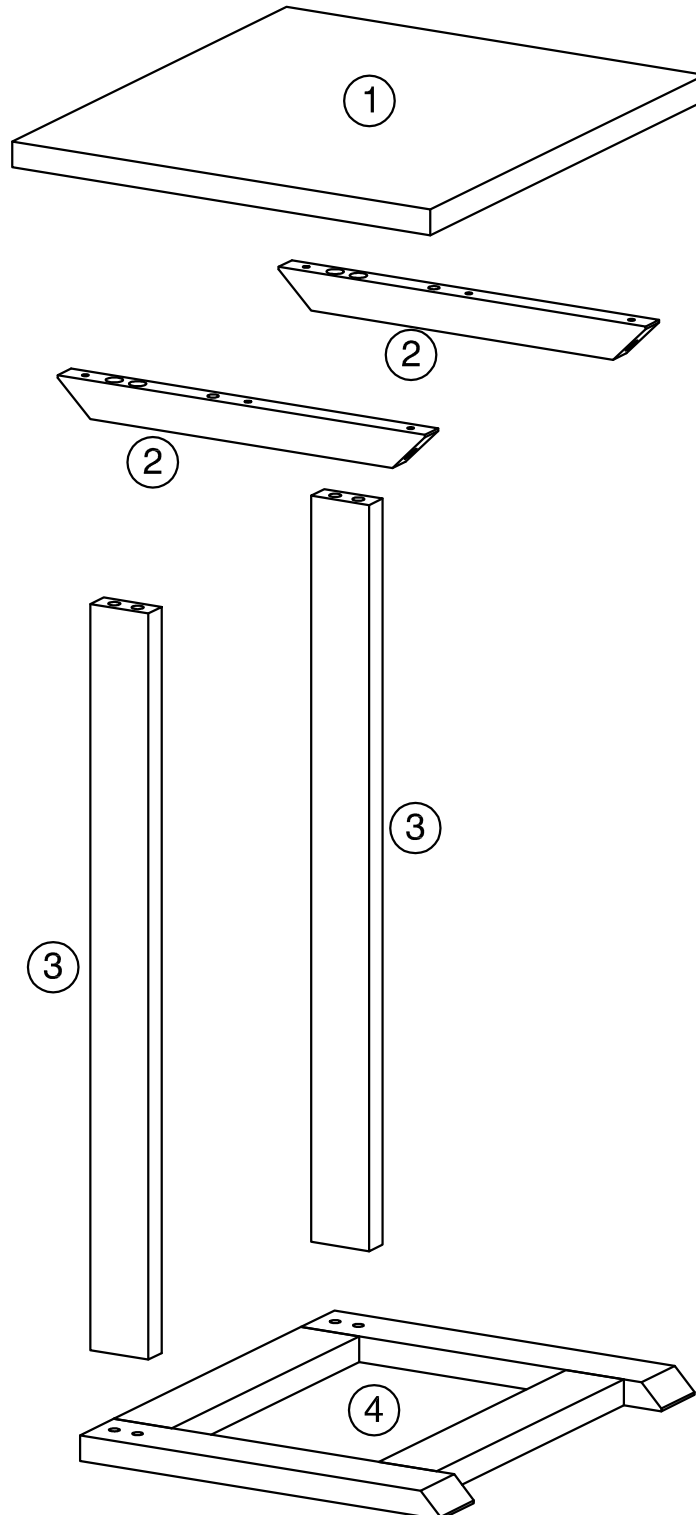
For missing hardware, damaged parts, or questions concerning assembly,
please contact us.

HARDWARE LIST:

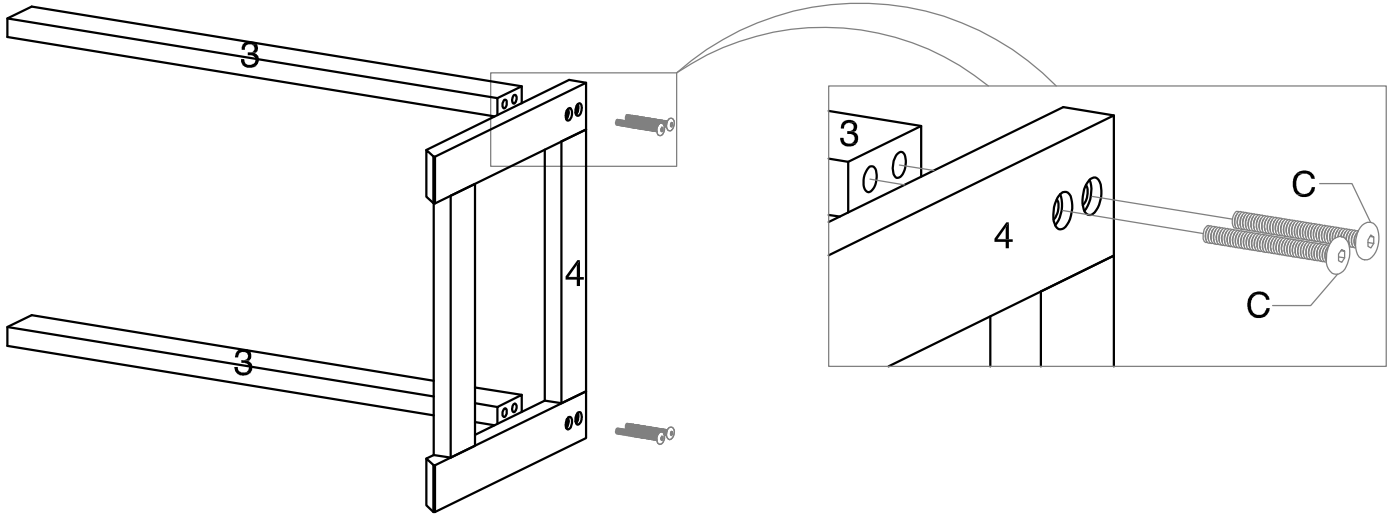
CODE	PICTURE	DESCRIPTION	QTY
A		SCREW	6
B		WRENCH	1
C		BOLT	8
D		WOOD DOWEL	2

PARTS LIST:

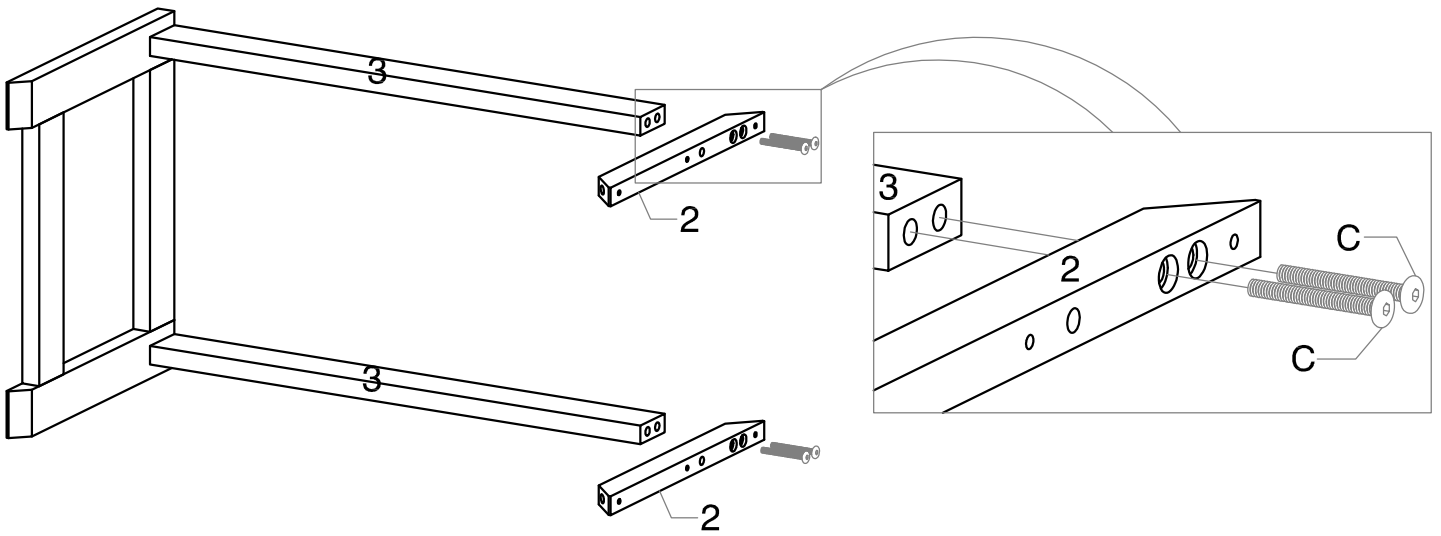
CODE	DESCRIPTION	QTY
1	TOP PANEL	01
2	SIDE APRON	02
3	LEG	02
4	BASE	01



STEP 1



STEP 2



STEP 3

