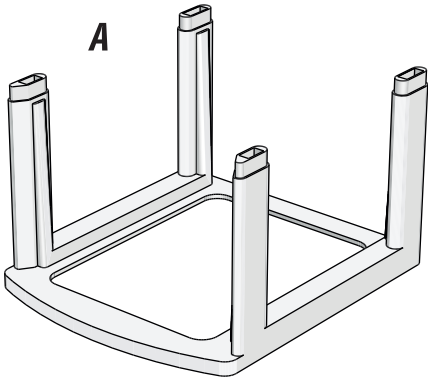


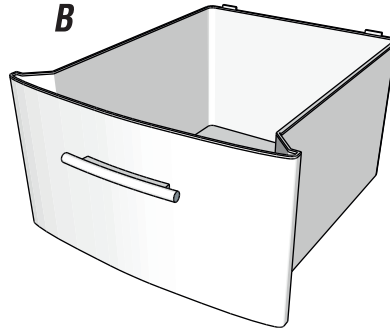
ASSEMBLY INSTRUCTIONS INSTRUCCIONES DE ENSAMBLE

REFERENCES INFINITY / ECLYPSE 3-4-5 LEVELS. REFERENCIAS INFINITY / ECLYPSE 3-4-5 NIVELES.

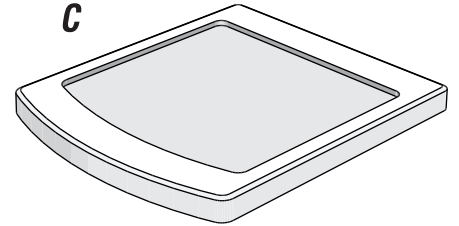
INCLUDED PARTS PARTES INCLUIDAS



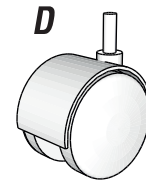
FRAME x 3 REF. 3 LEVELS
 FRAME x 4 REF. 4 LEVELS
 FRAME x 5 REF. 5 LEVELS
 ARMAZÓN x 3 REF. 3 NIVELES
 ARMAZÓN x 4 REF. 4 NIVELES
 ARMAZÓN x 5 REF. 5 NIVELES



DRAWER x 3 REF. 3 LEVELS
 DRAWER x 4 REF. 4 LEVELS
 DRAWER x 5 REF. 5 LEVELS
 CAJÓN x 3 REF. 3 NIVELES
 CAJÓN x 4 REF. 4 NIVELES
 CAJÓN x 5 REF. 5 NIVELES

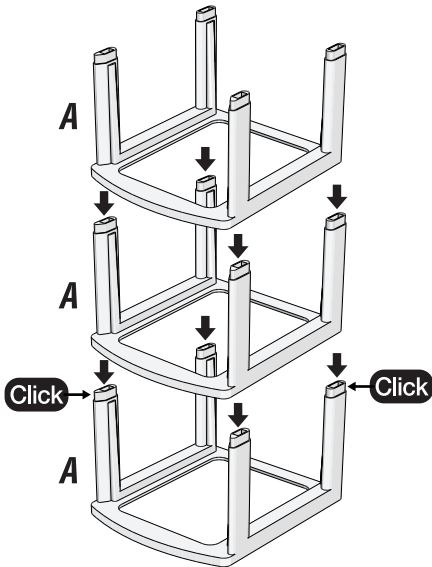


COVER x 1 ALL REF.
 TAPA x 1 TODAS LAS REF.

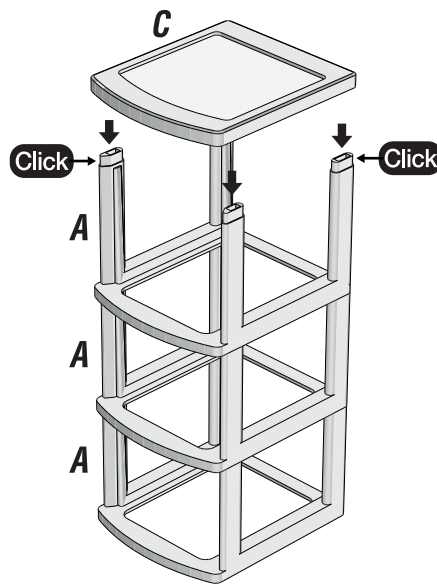


CASTER WHEEL x 4
 ONLY FOR INFINITY
 3 LEVELS REFERENCE
 RODACHINES x 4
 SOLO PARA REFERENCIA
 INFINITY 3 NIVELES

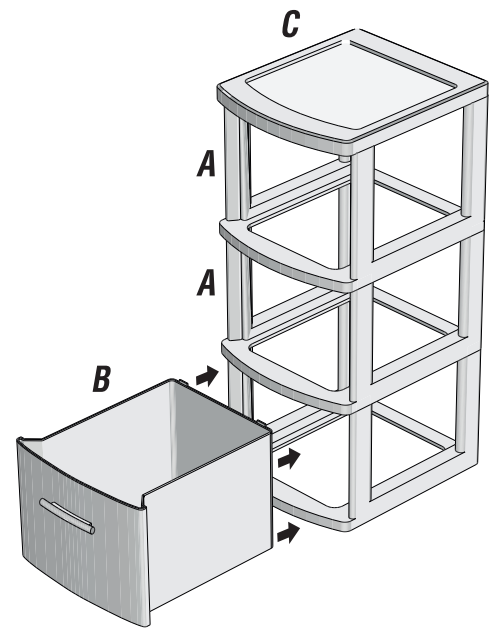
1



2



3

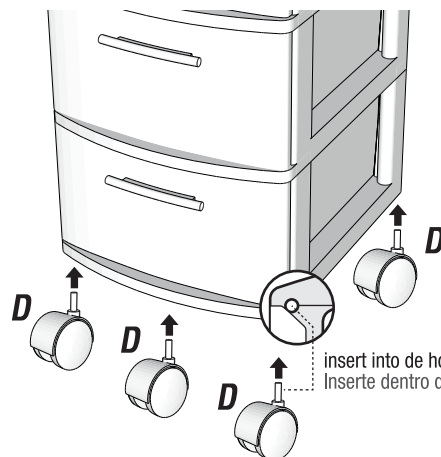


4



5

ONLY FOR THE INFINITY 3 LEVELS REFERENCE
 SOLO PARA LA REFERENCIA INFINITY 3 NIVELES



insert into de holes under the frame A.
 Inserte dentro de los agujeros bajo el armazón A.