

EXTERNALLY SILICONE SEAL THE WALL PROFILES WHERE THEY MEET THE WALL AND THE BOTTOM PROFILE WHERE IT MEETS THE TRAY. ALL IN A CONTINUOUS BEAD.

ALSO SILICONE PLASTIC MOULDING AND 150mm HIGH AS SHOWN IN DETAILED VIEW BELOW.

DO NOT SILICONE INSIDE THE ENCLOSURE

ALLOW THE SILICONE AT LEAST 24 HOURS TO FULLY CURE

AFTERCARE - ENSURE YOU CLEAN YOUR PRODUCT USING A MILD DETERGENT DILUTED IN WATER, REMOVING ANY RESIDUE WITH A SOFT DAMP CLOTH.

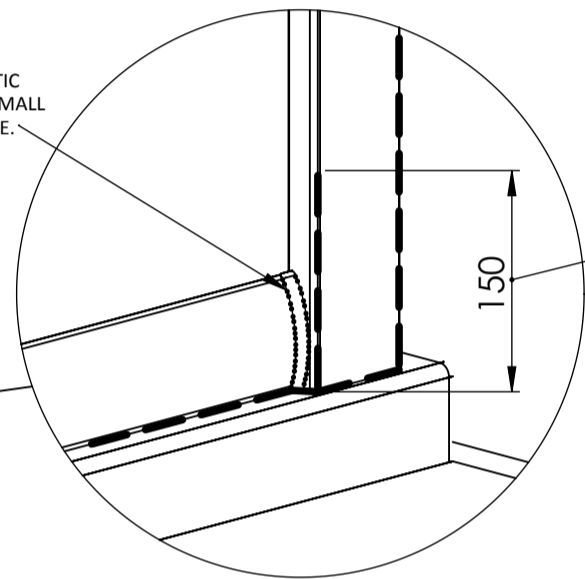
MAINTENANCE - ENSURE MOVING PARTS ARE FREE FROM ANY DEBRIS OR SOAP BUILD UP.

SHOWER ENCLOSURE WITH WHEELS - THE WHEELS MUST ROTATE FREELY AND THE SPRING LOADED MECHANISM IN THE BOTTOM WHEELS MUST OPERATE WITHOUT INTERFERENCE.

TROUBLE SHOOTING GUIDE

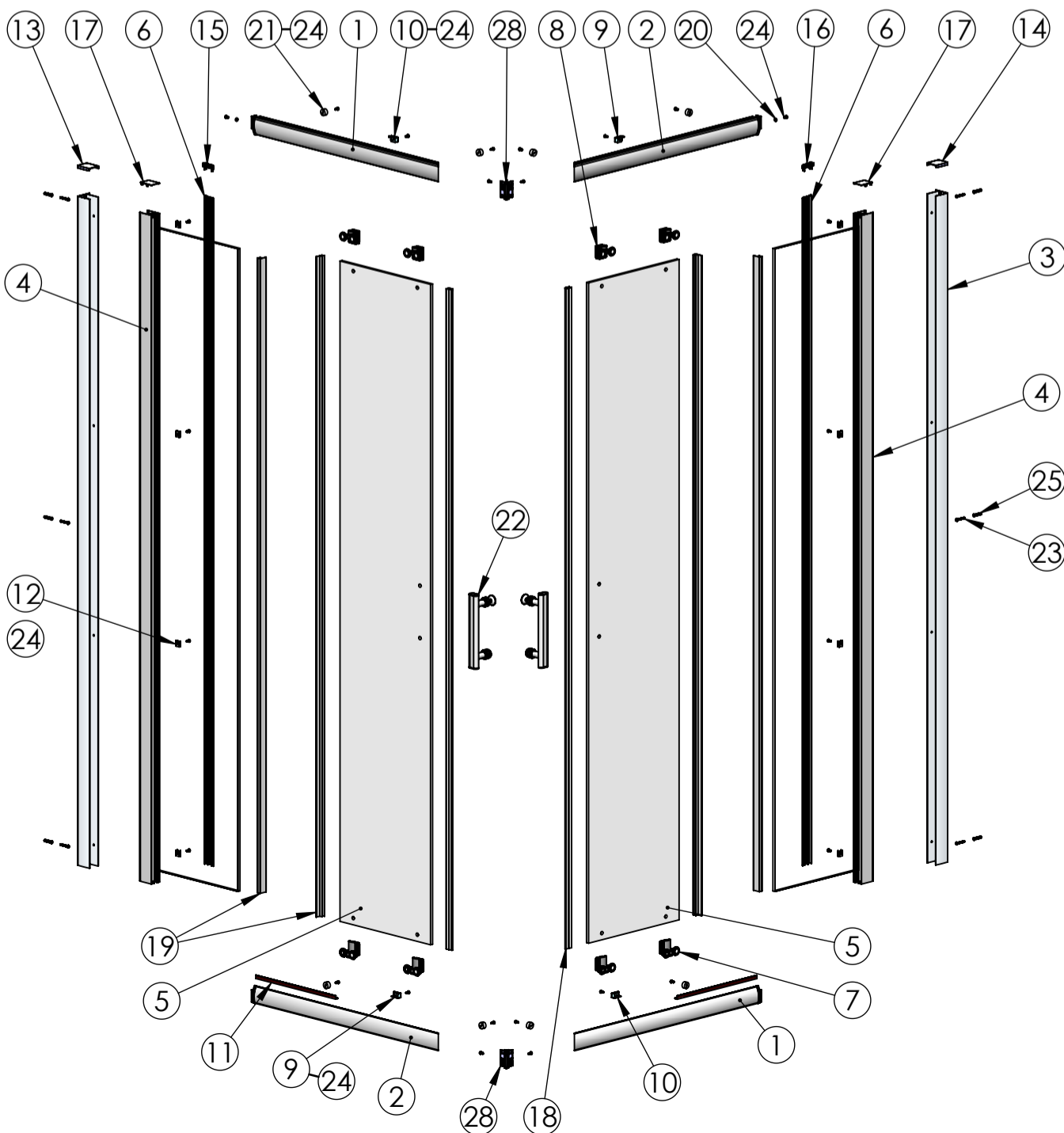
1. IS THE TRAY LEVEL? (SEE STEP 1).
2. ARE THE TOP AND BOTTOM TRACKS FULLY INSERTED AND FLUSH WITH THE VERTICAL PROFILES? (SEE STEP 3).
3. ARE THE RETAINER SCREWS FITTED TO LOCK THE TOP TRACK IN PLACE? (SEE STEP 3).
4. ARE THE BOTTOM SEALS FITTED? (SEE STEP 4).
5. HAVE YOU COMPLETED STEP 5 CORRECTLY?
6. ARE THE WALL PROFILES PLUMB VERTICALLY? (SEE STEP 5).
7. DO THE FINISHED TRAY MEASUREMENTS COMPLY WITH THE ADJUSTMENTS LISTED IN THE PRODUCT SPECIFICATION?
8. HAVE THE FIXED PANELS BEEN PROPERLY SECURED? (SEE STEP 6).
9. WHEN CONSIDERING THE LENGTH OF THE TOP TRACK ALSO CONSIDER THE VERTICAL PROFILES THAT ARE SECURED TO IT WHICH INCREASE ITS LENGTH.
10. ONCE INSTALLED LEAVE THE ENCLOSURE DOORS IN THE CLOSED POSITION WHEN NOT IN USE AS MEGNET STRENGTH WILL INCREASE OVER THE FIRST WEEK.

SILICONE THE PLASTIC MOULDING WITH AS SMALL A BEAD AS POSSIBLE.



WHERE THE FRAME VERTICAL PROFILE MEETS THE WALL PROFILE.

CORNER ENTRY EASY FIT ENCLOSURE INSTRUCTION



UNPACK THE BOX AND ENSURE ALL COMPONENTS ARE PRESENT.

NO REFUNDS OR REFITTING COST WILL BE GIVEN IF INCOMPLETE OR DAMAGED GOODS ARE FITTED.

THE TOUGHENED SAFETY GLASS SHOULD BE HANDLED WITH CARE AS IMPACTS WILL DAMAGE THE GLASS OR ENCLOSURE.

FIT THE SHOWER TRAY AS PER THE MANUFACTURERS INSTRUCTIONS.

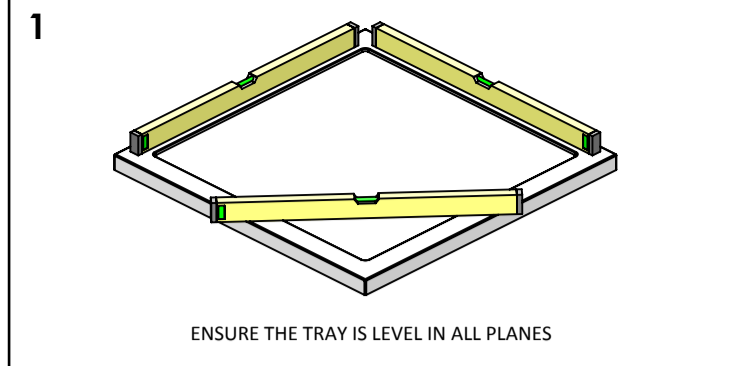
NOTE: IF THE TRAY ISN'T TRUE AND LEVEL, IT MUST BE RECTIFIED BEFORE SILICONING AROUND THE TOP EDGE OF THE TRAY WHERE IT MEETS THE ENCLOSURE. ALLOW THE SILICONE TO DRY BEFORE FITTING THE ENCLOSURE.

THE ENCLOSURE INSTALLATION IS RECOMMENDED AS A TWO MAN OPERATION.

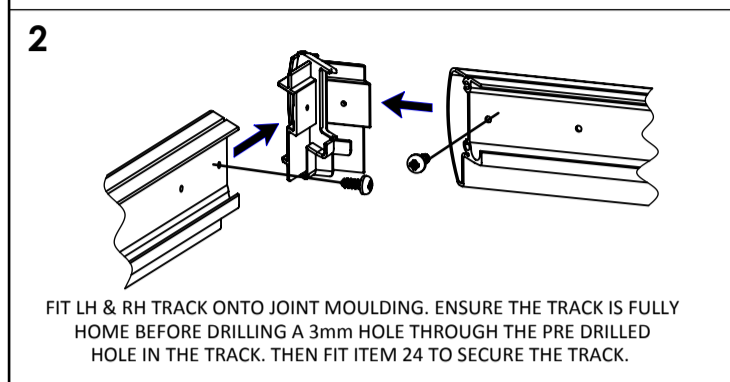
TOOLS REQUIRED

POWER DRILL - 3mm DRILL BIT - 6mm MASONRY DRILL BIT
 CROSS HEAD SCREW DRIVER - TAPE MEASURE - PENCIL
 SILICONE GUN WITH SANITARY GRADE SEALANT - SPIRIT LEVEL
 RUBBER HEAD MALLET

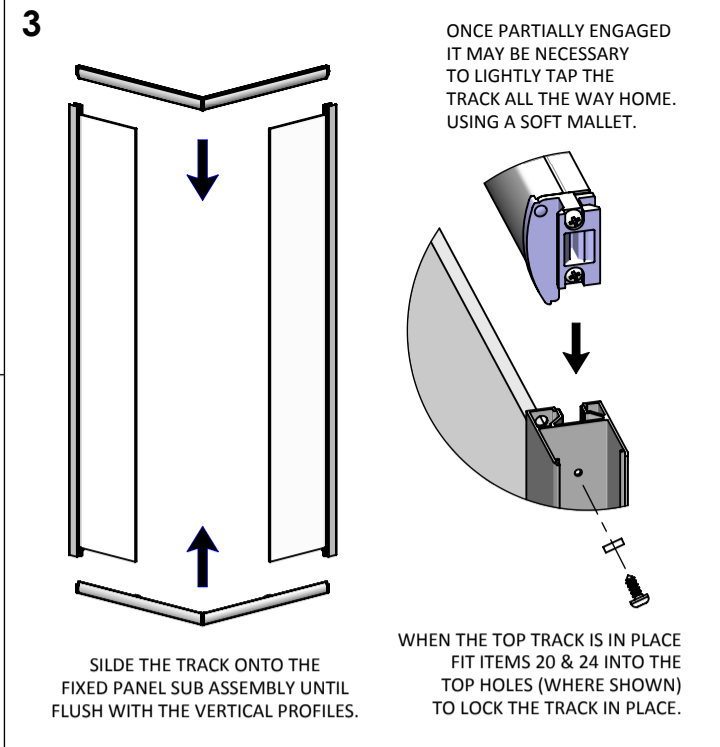
ITEM	DESCRIPTION	Notes	QTY
1	TOP TRACK LH		2
2	TOP TRACK RH		2
3	WALL PROFILE		2
4	FIXED PANEL SUB ASSEMBLY		2
5	DOOR GLASS		2
6	SCREW COVER PROFILE	OPTIONAL ON SOME MODELS	2
7	BOTTOM ROLLER (SPRING LOADED)		4
8	TOP ROLLER (SCREW ADJUSTED)		4
9	GLASS CLIP RH		2
10	GLASS CLIP LH		2
11	GLASS BOTTOM SEAL		2
12	SCREW COVER PROFILE FIXING CLIPS	OPTIONAL ON SOME MODELS	8
13	WALL PROFILE TOP CAP LH		1
14	WALL PROFILE TOP CAP RH		1
15	SCREW COVER PROFILE CAP LH	OPTIONAL ON SOME MODELS	1
16	SCREW COVER PROFILE CAP RH	OPTIONAL ON SOME MODELS	1
17	RECTANGULAR CAP		2
18	DOOR MAGNET		2
19	VERTICAL SEAL	CUTS TO LENGTH AS REQ'D	4
20	NYLON WASHER		2
21	BUMP STOP		8
22	HANDLE SUB ASSEMBLY		2
23	SCREW DIA 3.9mm x 30mm PAN HEAD	FOR FIXING TO WALL	6
24	SCREW DIA 3.9mm x 10mm PAN HEAD		26
25	RAWLPLUG		6
26	SCREW CUP	ONLY USED WHEN NO ITEM 5 & 11	6
27	SCREW CHROME CAP	ONLY USED WHEN NO ITEM 5 & 11	6
28	JOINT MOULDING		2



ENSURE THE TRAY IS LEVEL IN ALL PLANES



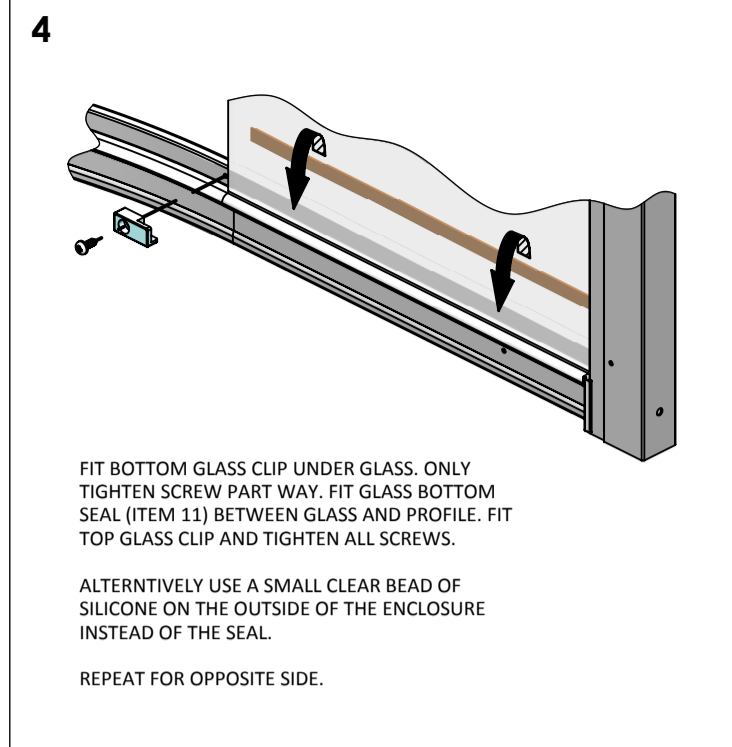
FIT LH & RH TRACK ONTO JOINT MOULDING. ENSURE THE TRACK IS FULLY HOME BEFORE DRILLING A 3mm HOLE THROUGH THE PRE DRILLED HOLE IN THE TRACK. THEN FIT ITEM 24 TO SECURE THE TRACK.



ONCE PARTIALLY ENGAGED IT MAY BE NECESSARY TO LIGHTLY TAP THE TRACK ALL THE WAY HOME. USING A SOFT MALLET.

SLIDE THE TRACK ONTO THE FIXED PANEL SUB ASSEMBLY UNTIL FLUSH WITH THE VERTICAL PROFILES.

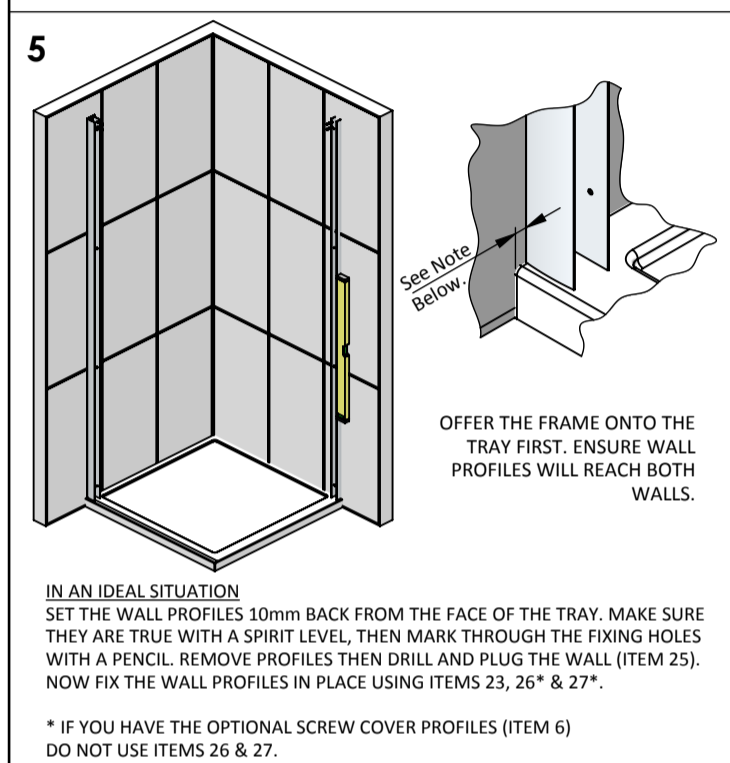
WHEN THE TOP TRACK IS IN PLACE FIT ITEMS 20 & 24 INTO THE TOP HOLES (WHERE SHOWN) TO LOCK THE TRACK IN PLACE.



FIT BOTTOM GLASS CLIP UNDER GLASS. ONLY TIGHTEN SCREW PART WAY. FIT GLASS BOTTOM SEAL (ITEM 11) BETWEEN GLASS AND PROFILE. FIT TOP GLASS CLIP AND TIGHTEN ALL SCREWS.

ALTERNATIVELY USE A SMALL CLEAR BEAD OF SILICONE ON THE OUTSIDE OF THE ENCLOSURE INSTEAD OF THE SEAL.

REPEAT FOR OPPOSITE SIDE.



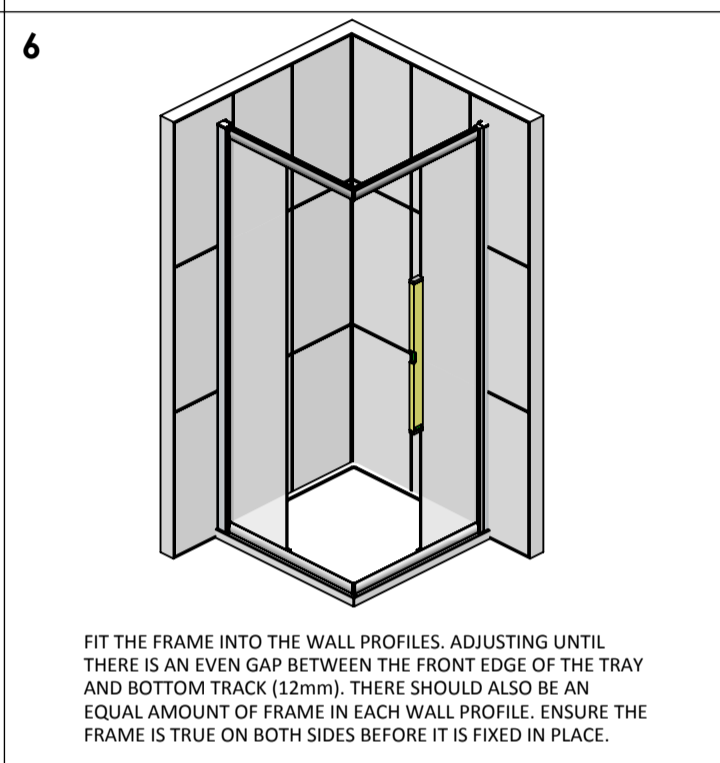
See Note Below.

OFFER THE FRAME ONTO THE TRAY FIRST. ENSURE WALL PROFILES WILL REACH BOTH WALLS.

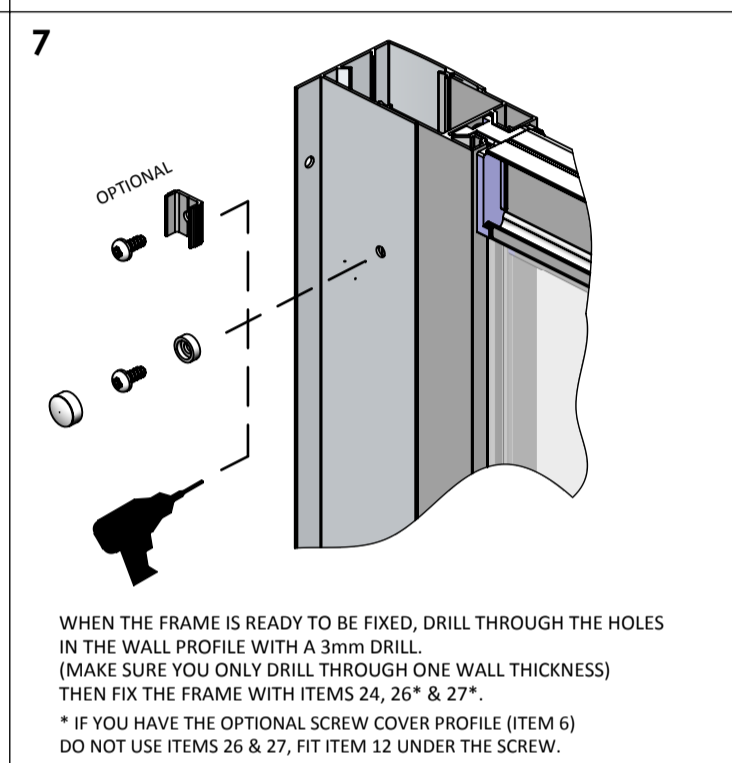
IN AN IDEAL SITUATION

SET THE WALL PROFILES 10mm BACK FROM THE FACE OF THE TRAY. MAKE SURE THEY ARE TRUE WITH A SPIRIT LEVEL, THEN MARK THROUGH THE FIXING HOLES WITH A PENCIL. REMOVE PROFILES THEN DRILL AND PLUG THE WALL (ITEM 25). NOW FIX THE WALL PROFILES IN PLACE USING ITEMS 23, 26* & 27*.

* IF YOU HAVE THE OPTIONAL SCREW COVER PROFILES (ITEM 6) DO NOT USE ITEMS 26 & 27.

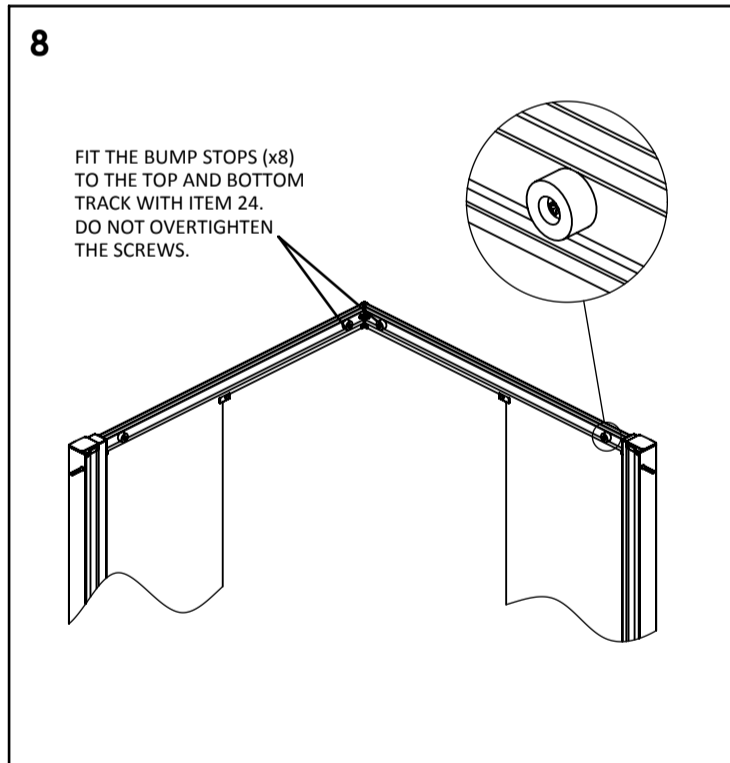


FIT THE FRAME INTO THE WALL PROFILES. ADJUSTING UNTIL THERE IS AN EVEN GAP BETWEEN THE FRONT EDGE OF THE TRAY AND BOTTOM TRACK (12mm). THERE SHOULD ALSO BE AN EQUAL AMOUNT OF FRAME IN EACH WALL PROFILE. ENSURE THE FRAME IS TRUE ON BOTH SIDES BEFORE IT IS FIXED IN PLACE.

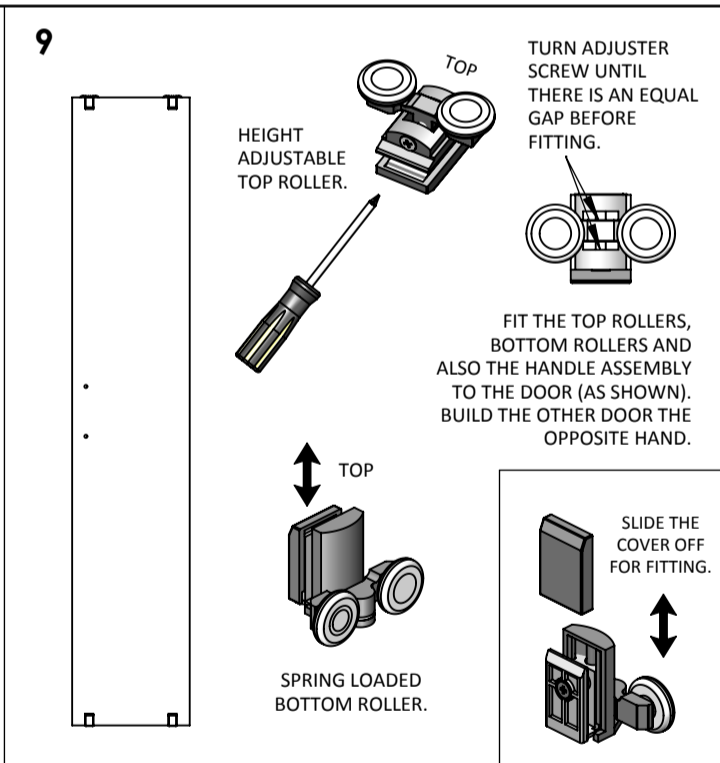


WHEN THE FRAME IS READY TO BE FIXED, DRILL THROUGH THE HOLES IN THE WALL PROFILE WITH A 3mm DRILL. (MAKE SURE YOU ONLY DRILL THROUGH ONE WALL THICKNESS) THEN FIX THE FRAME WITH ITEMS 24, 26* & 27*.

* IF YOU HAVE THE OPTIONAL SCREW COVER PROFILE (ITEM 6) DO NOT USE ITEMS 26 & 27, FIT ITEM 12 UNDER THE SCREW.



FIT THE BUMP STOPS (x8) TO THE TOP AND BOTTOM TRACK WITH ITEM 24. DO NOT OVERTIGHTEN THE SCREWS.



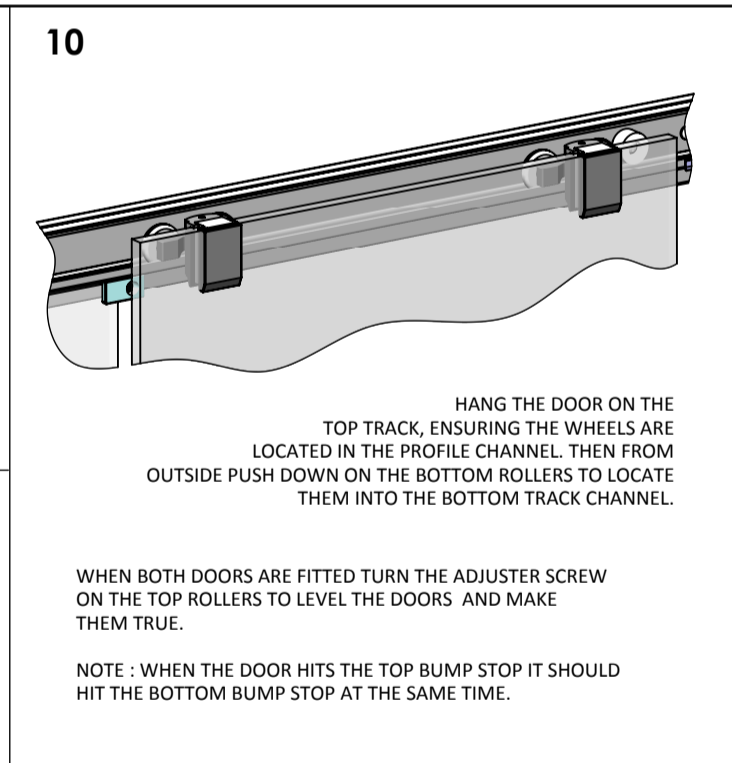
HEIGHT ADJUSTABLE TOP ROLLER.

TURN ADJUSTER SCREW UNTIL THERE IS AN EQUAL GAP BEFORE FITTING.

FIT THE TOP ROLLERS, BOTTOM ROLLERS AND ALSO THE HANDLE ASSEMBLY TO THE DOOR (AS SHOWN). BUILD THE OTHER DOOR THE OPPOSITE HAND.

SPRING LOADED BOTTOM ROLLER.

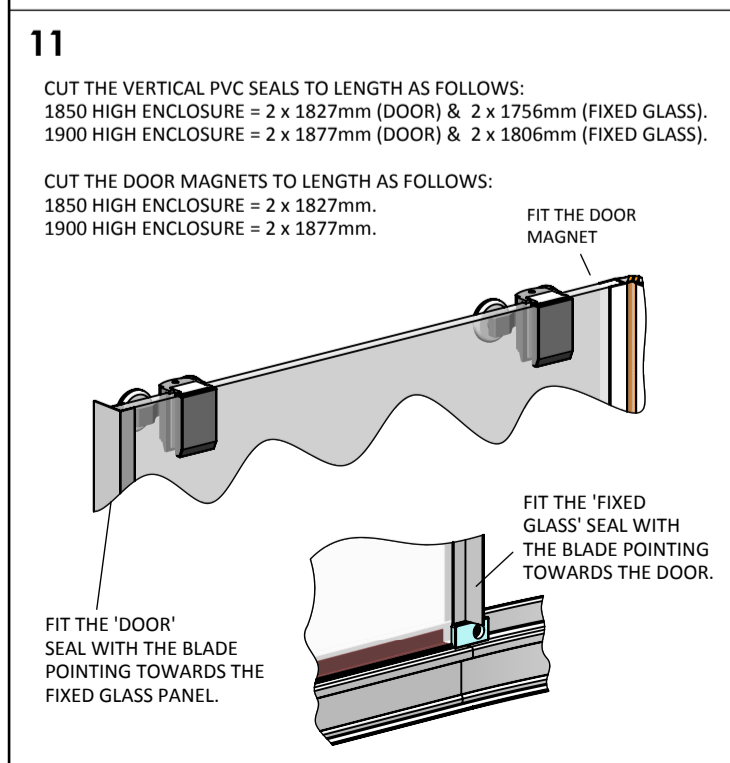
SLIDE THE COVER OFF FOR FITTING.



HANG THE DOOR ON THE TOP TRACK, ENSURING THE WHEELS ARE LOCATED IN THE PROFILE CHANNEL. THEN FROM OUTSIDE PUSH DOWN ON THE BOTTOM ROLLERS TO LOCATE THEM INTO THE BOTTOM TRACK CHANNEL.

WHEN BOTH DOORS ARE FITTED TURN THE ADJUSTER SCREW ON THE TOP ROLLERS TO LEVEL THE DOORS AND MAKE THEM TRUE.

NOTE : WHEN THE DOOR HITS THE TOP BUMP STOP IT SHOULD HIT THE BOTTOM BUMP STOP AT THE SAME TIME.



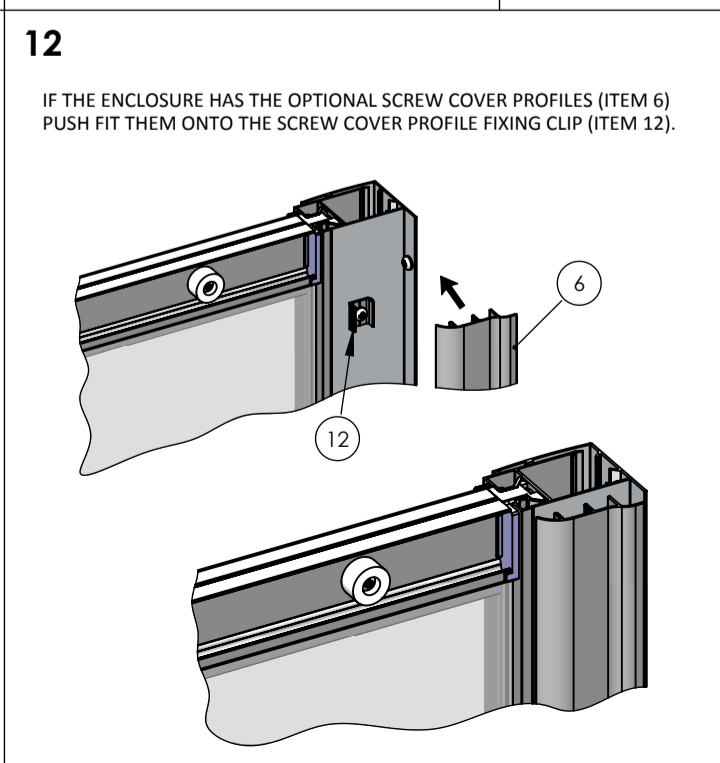
CUT THE VERTICAL PVC SEALS TO LENGTH AS FOLLOWS:
1850 HIGH ENCLOSURE = 2 x 1827mm (DOOR) & 2 x 1756mm (FIXED GLASS).
1900 HIGH ENCLOSURE = 2 x 1877mm (DOOR) & 2 x 1806mm (FIXED GLASS).

CUT THE DOOR MAGNETS TO LENGTH AS FOLLOWS:
1850 HIGH ENCLOSURE = 2 x 1827mm.
1900 HIGH ENCLOSURE = 2 x 1877mm.

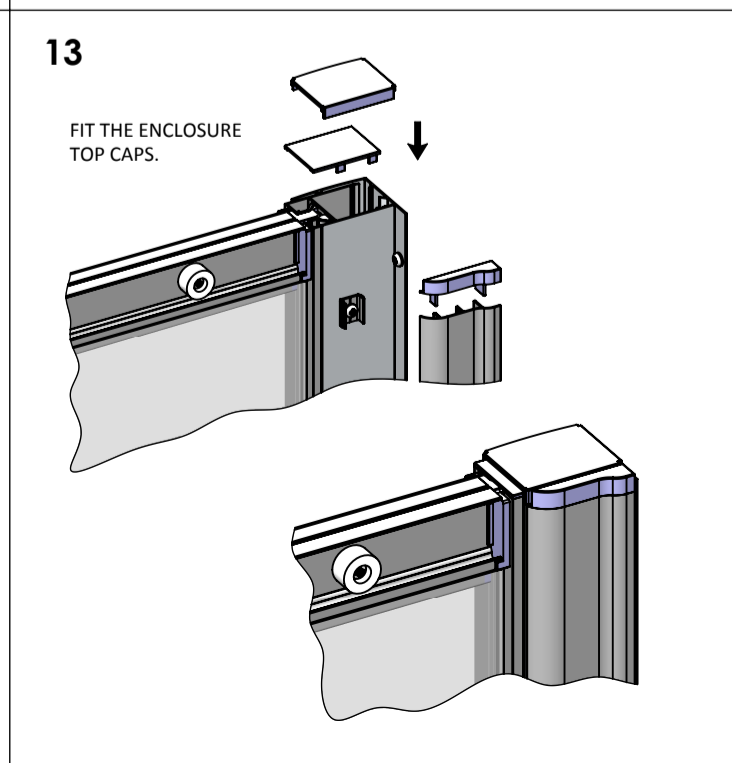
FIT THE DOOR MAGNET

FIT THE 'FIXED GLASS' SEAL WITH THE BLADE POINTING TOWARDS THE DOOR.

FIT THE 'DOOR' SEAL WITH THE BLADE POINTING TOWARDS THE FIXED GLASS PANEL.



IF THE ENCLOSURE HAS THE OPTIONAL SCREW COVER PROFILES (ITEM 6) PUSH FIT THEM ONTO THE SCREW COVER PROFILE FIXING CLIP (ITEM 12).



FIT THE ENCLOSURE TOP CAPS.