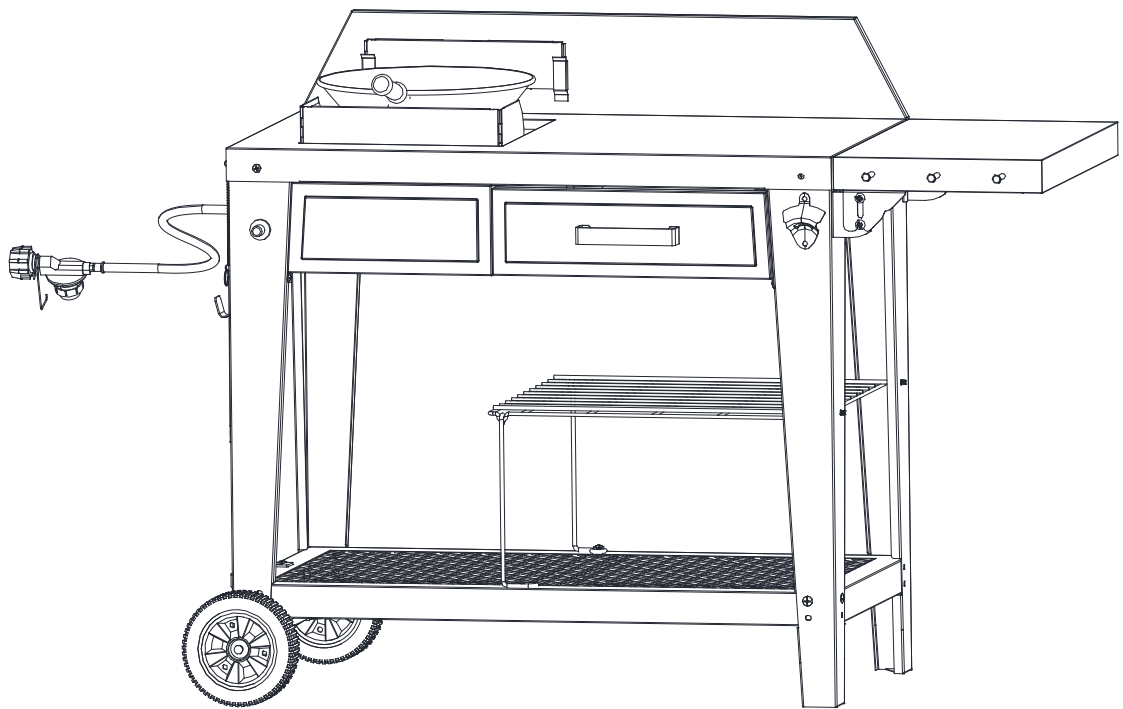


FIRE RIOT

Outdoor Propane Wok Cook Station Cart with Steel Wok, BTU 50,000



Model: HTK700
SKU: 89007

HEATAK USA

FIRE RIOT

Table of Contents

It is the consumer's responsibility to see that the unit is properly assembled, installed, and maintained.

Table of Contents	- page 2
Safety Information	- page 3
Customer Support	- page 4
Care and Maintenance	
Exploded View	- page 5
Parts	- page 6 - 7
Assembly Instructions	- page 8 - 21
Warranty	- page -22

FIRE RIOT **Safety Information**

To ensure your safety, we kindly remind customers of the importance in carefully assembling, installing and maintaining the product. Following the instructions in the manual diligently is crucial to prevent any potential risks of bodily harm or property damage.

- Not for permanent installation
- Suitable for outdoor use only
- Only used on horizontal surfaces
- Maximum top/bottom weight load of 300 LBS
- Maximum cabinet bottom weight load of 100 LBS
- Be careful with all electric appliances, tools, extension cords and lights on and around table.
- Surface will become hot in direct sun or high temperatures. Please touch carefully to avoid burns.
- Do not allow children to climb the product.

CALIFORNIA PROPOSITION 65 WARNING

WARNING: This product can expose you to lead, which is known to the State of California to cause cancer and birth defects or other reproductive harm. For more information go to www.P65warnings.ca.gov

FIRE RIOT Customer Support

**HAVE PROBLEM / QUESTION / CONCERN
NO WORRY!**

Our customer Service Staff is Here To Help You!

For questions regarding your Fire Riot products, installation, replacement parts or your warranty, please contact

Fire Riot customer service team.

Phone: 1-800-719-8199
Monday through Friday
9:00 am to 5:00 pm, Eastern Time Zone

Email: service@heatakusa.com

Care and Maintenance

CLEANING

Painted and Plastic Surface

Wash with mild detergent or non-abrasive cleaner and warm water.

Stainless Steel Surface

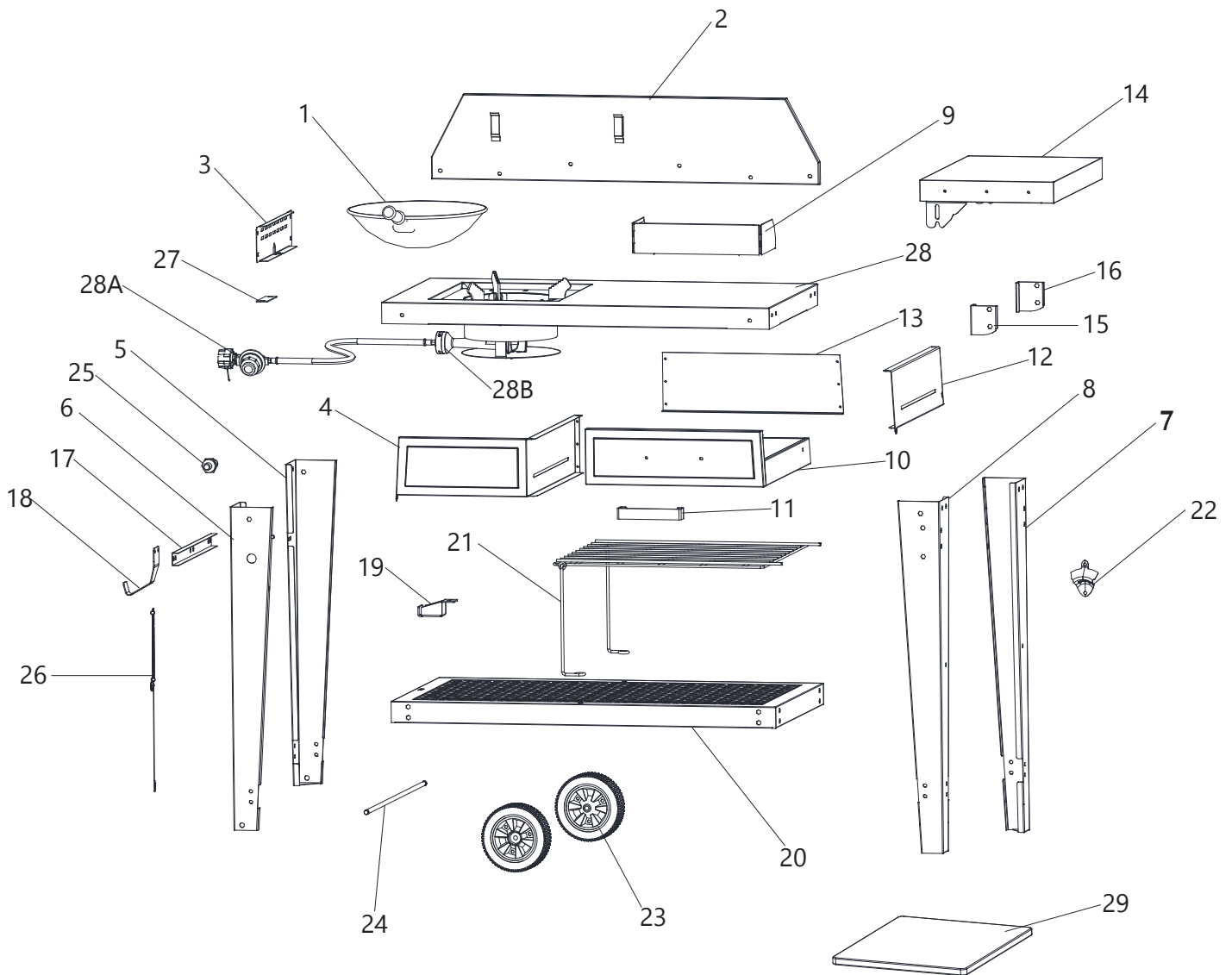
Wash with mild detergent and warm soapy water or use stainless steel cleaner. Wipe dry with a soft cloth after each use.

Wash only in the direction of the stainless brushed finish to avoid damage.

Stainless steel can rust under certain conditions. This can be caused by acidic marinades, chlorine, saltwater, exposure to coastal climates, other natural elements, or improper cleaning tools such as wire or steel wool.

FIRE RIOT

Exploded View



When assembling, partially thread one screw into its corresponding position on one side, securing it temporarily (be careful not to fully tighten).

Proceed to do the same for the other locations following a similar approach until all screws for this step are correctly aligned with their threads.



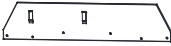


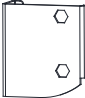
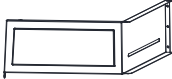
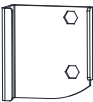





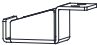
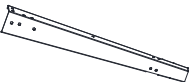









Once this step is completed, proceed to fully tighten all screws.

If you encounter misalignment with any screws, gently apply manual pressure to slightly adjust the hole to align it with the desired position before threading the screw into the thread.





Once the screw is in place, release the pressure.




Following these steps will allow you to continue with the tightening process

FIRE RIOT **Parts**

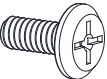

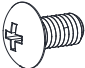

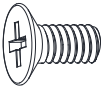
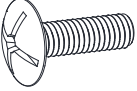
PART		DESCRIPTION	QTY	PART		DESCRIPTION	QTY
①		Steel Wok	1	⑬		Drawer Back Panel	1
②		Back Upper Panel	1	⑭		Side Table	1
③		Side Cart Panel	1	⑮		Left Bracket - Front	1
④		Burner Fence	1	⑯		Left Bracket - Rear	1
⑤		Left Rear Leg	1	⑰		Cart Brace	1
⑥		Left Front Leg	1	⑱		Tank Hook	1
⑦		Right Rear Leg	1	⑲		Tank Holder	1
⑧		Right Front Leg	1	⑳		Bottom Shelf	1
⑨		Wind Shield	1	㉑		Lower Wire Shelf	1
⑩		Drawer	1	㉒		Bottle Opener	1
⑪		Drawer Handle	1	㉓		Wheel	2
⑫		Drawer Support Panel	1	㉔		Axle	1

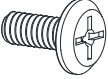

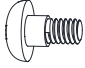


FIRE RIOT **Parts**

PART		DESCRIPTION	QTY
25		Ignitor	1
26		Match Holder	1
27		Regulator Bracket	1
28		Assembled Top	1

PART		DESCRIPTION	QTY
28A		Regulator	1
28B		Burner	1
29		Cutting Board	1

HARDWARE LIST

PART		DESCRIPTION	QTY
A		Bolt M6 X 12 (Black)	45
C		R Pin	1
E		Bolt M5 X 10	13
G		Nut M5	2
I		Bolt M6 X 10	2
K		Bolt M6 X 20 (Black)	2

PART		DESCRIPTION	QTY
B		Bolt M6 X 12 (White)	10
D		Wheel Spacer	2
F		Step Screw M6	6
H		Washer M6	2
J		Tool Hooks	3

FIRE RIOT

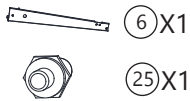
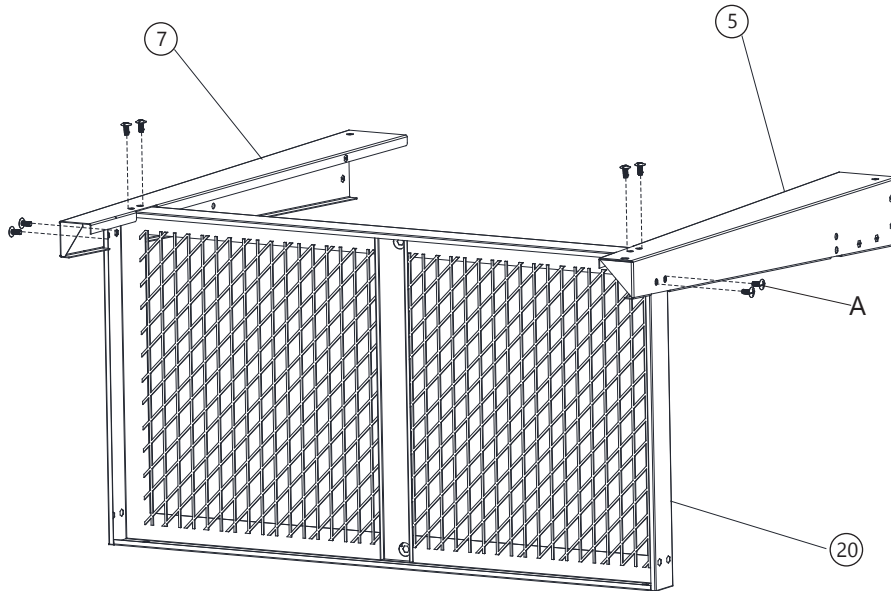
Assembly Instruction



STEP 1

Install Right Rear Leg (7) and Left Rear Leg (5) onto Bottom Shelf (20), using eight Bolt M6 X 12 (A).

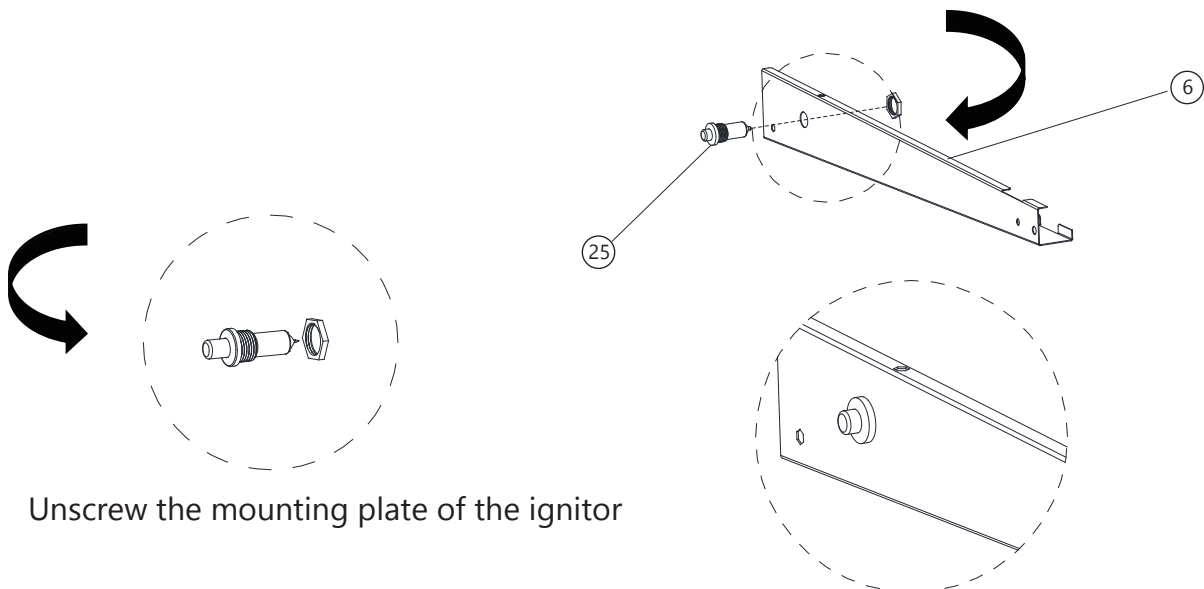
NOTE:DO NOT TIGHTEN BOLT NOW



STEP 2

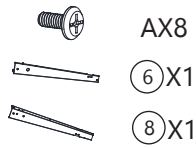
Install Ignitor (25) onto Left Front Leg (6).

NOTE:DO NOT TIGHTEN BOLT NOW



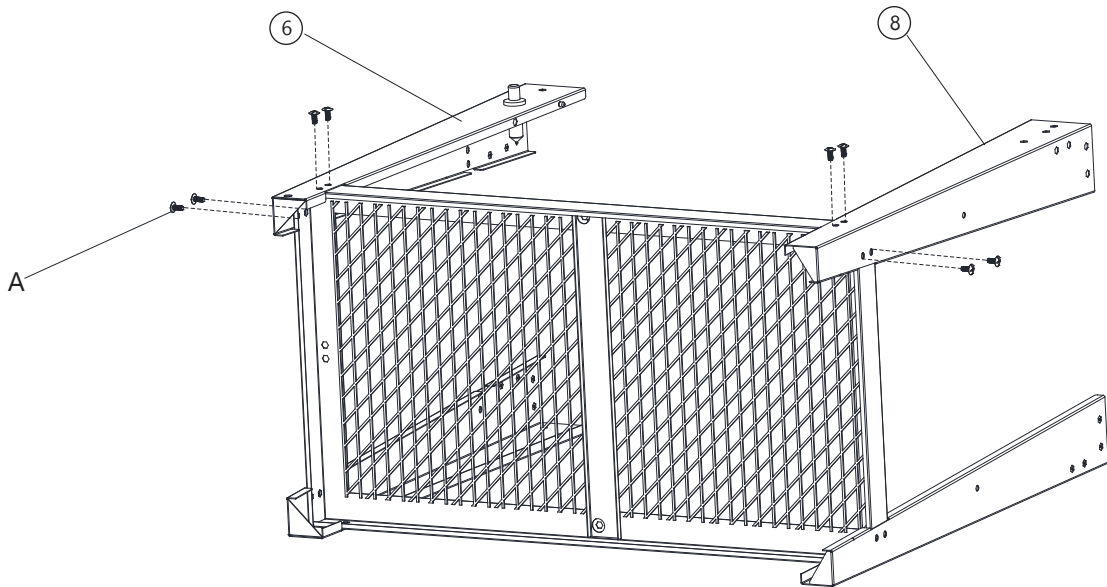
Assembly Instruction

STEP 3



Install Right Front Leg (8) and Left Front Leg (6) onto the assembled cart, using eight Bolt M6 X 12 (A).

NOTE: DO NOT TIGHTEN BOLT NOW

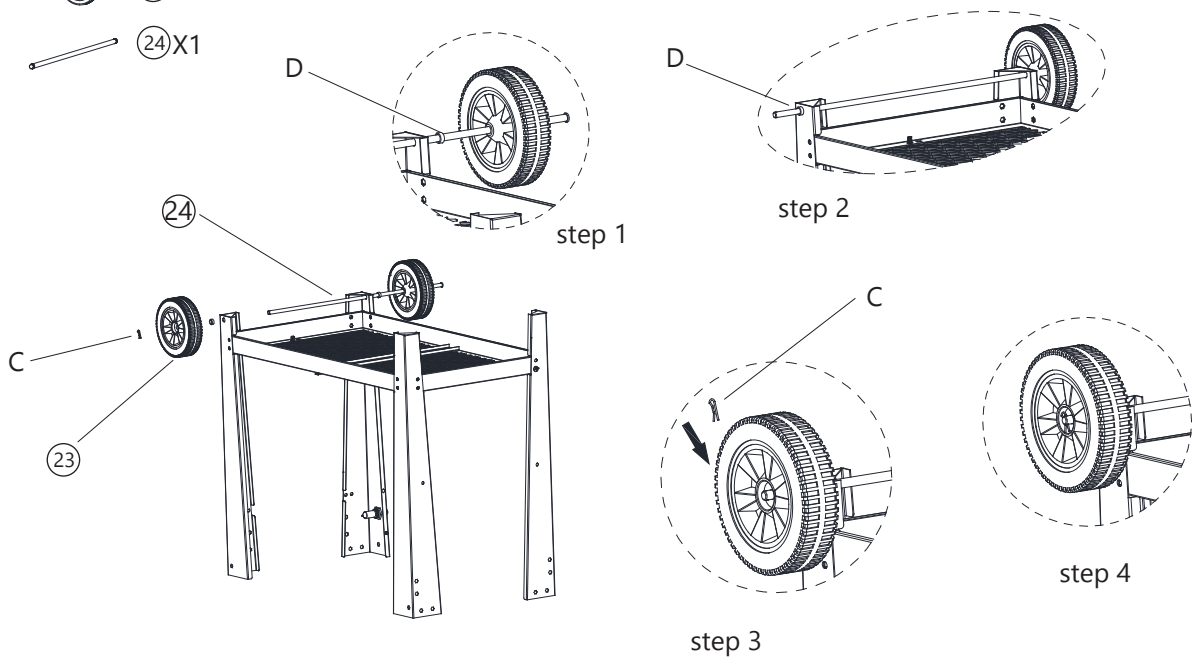


STEP 4



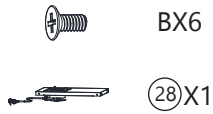
Install Wheels (23) and Axle (24) onto left side legs (5) & (6), using two Wheel Spacer (D) and one R Pin (C).

Note: Place the Wheel Spacer between the wheel and the leg.



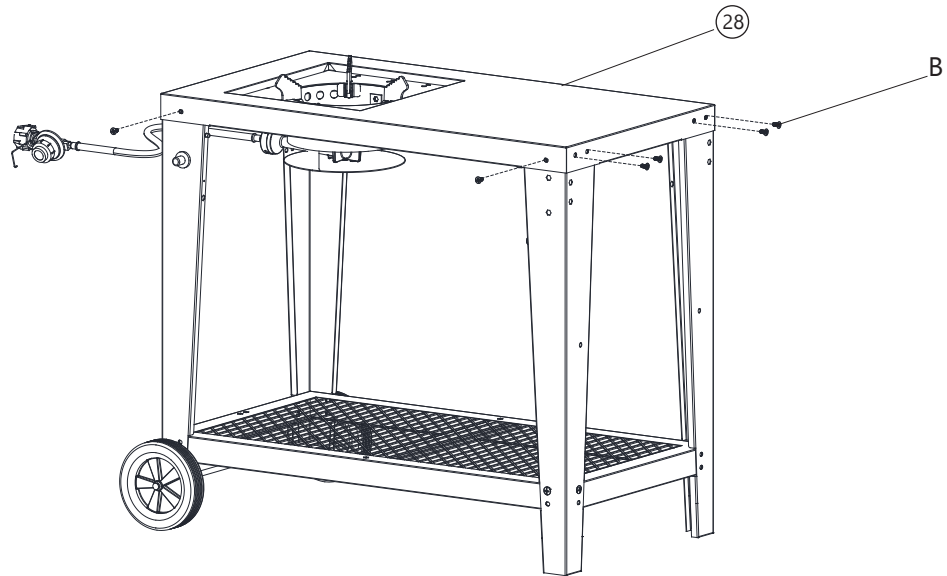
Assembly Instruction

STEP 5

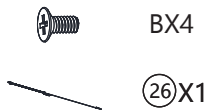


Flip the assembled frame over, install the Assembled Top (28) onto assembled frame, using six Bolt M6 X 12 (B).

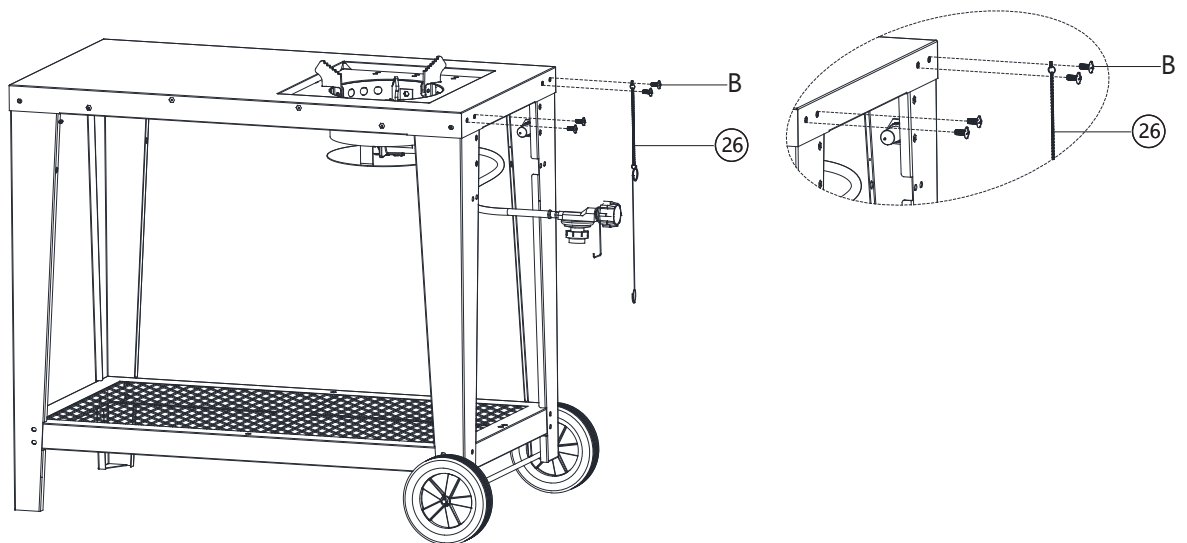
Note: Do not install the bolt at left side of cart in this step
NOTE:DO NOT TIGHTEN BOLT NOW



STEP 6



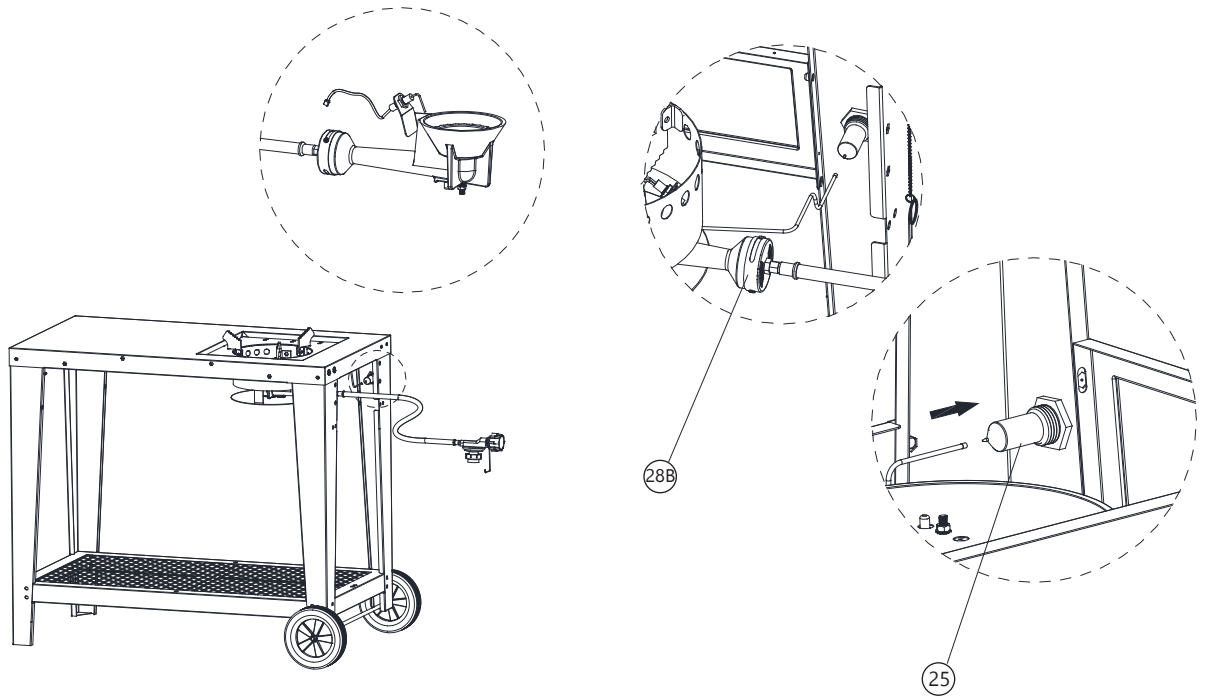
Install Match Holder (26) onto left side of cart by first hole, using four Bolt M6 X 12 (B)



Assembly Instruction

STEP 7

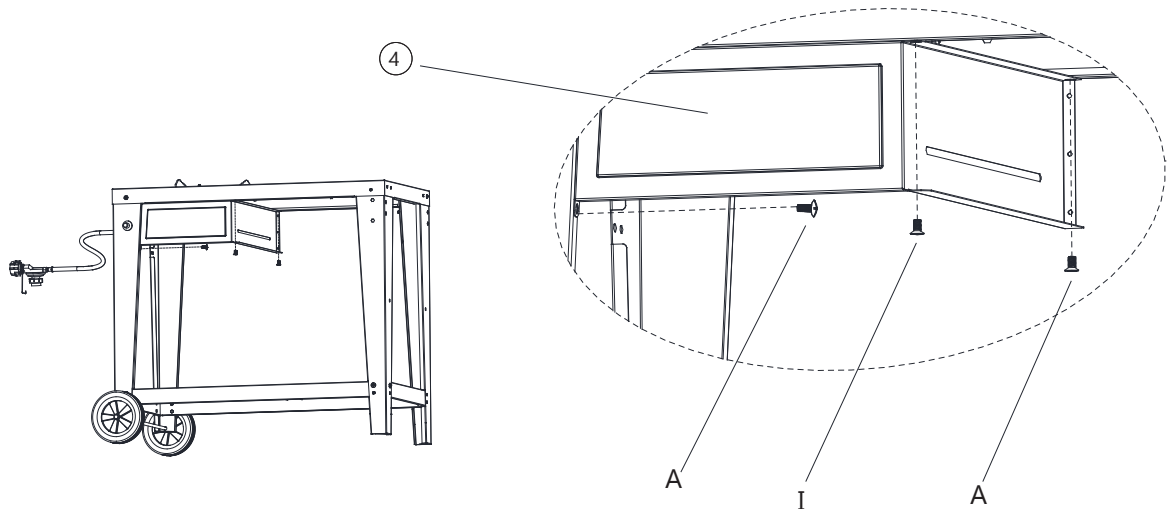
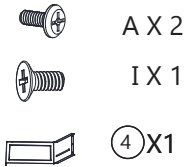
Find the ignitor pin wire, and connect to Ignitor



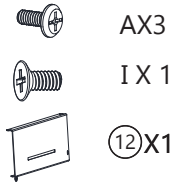
STEP 8

Install Burner Fence (4) onto bottom of table, using two Bolt M6 X 12 (A) and one Bolt M6 X 10 (I)

NOTE: DO NOT TIGHTEN BOLT NOW



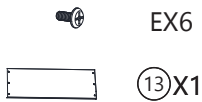
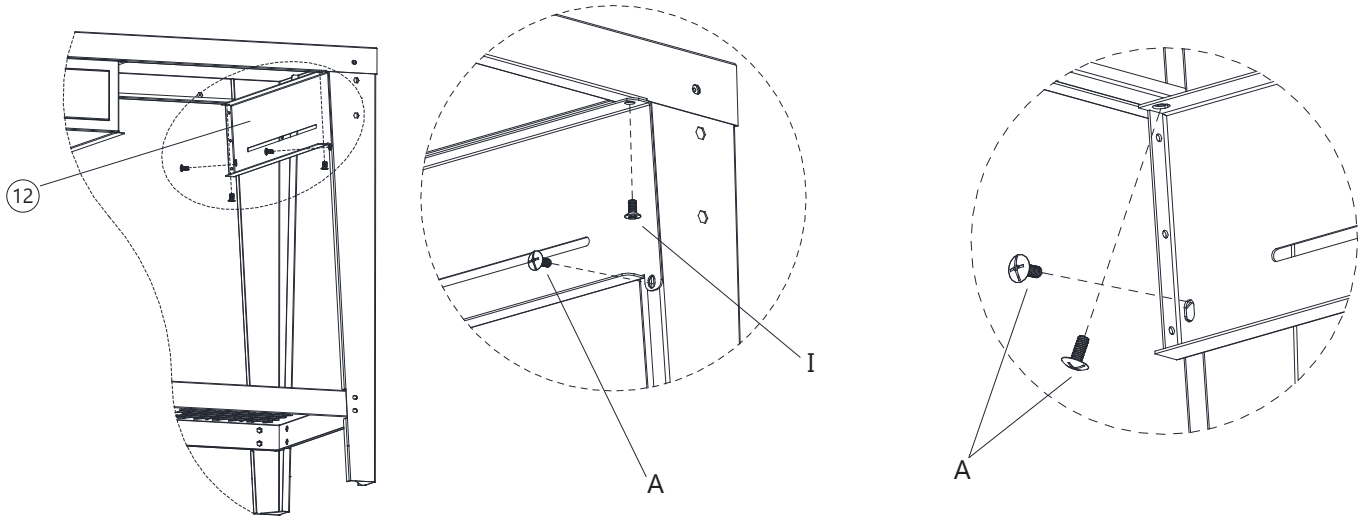
Assembly Instruction



STEP 9

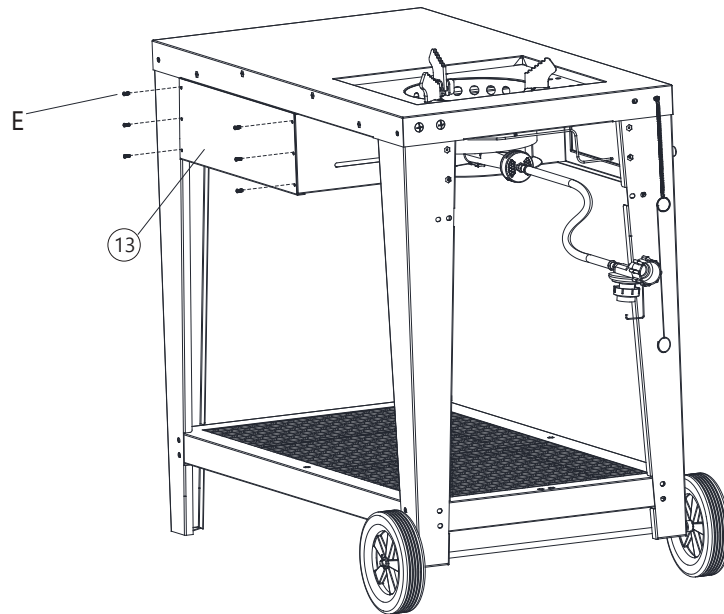
Install Drawer Support Panel (12) onto right side legs, using three Bolt M6 X 12 (A) and one Bolt M6 X 10 (I)

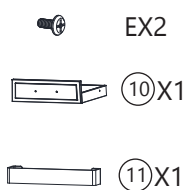
NOTE: DO NOT TIGHTEN BOLT NOW



STEP 10

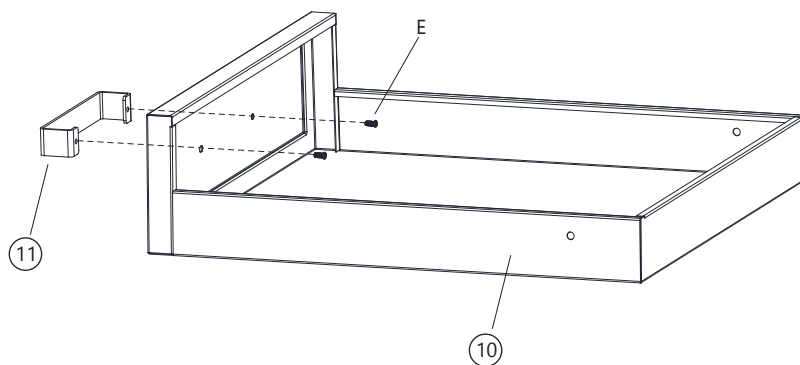
Install Drawer Back Panel (13) onto assembled frame, using six Bolt M5 X 10 (E)



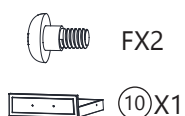


STEP 11

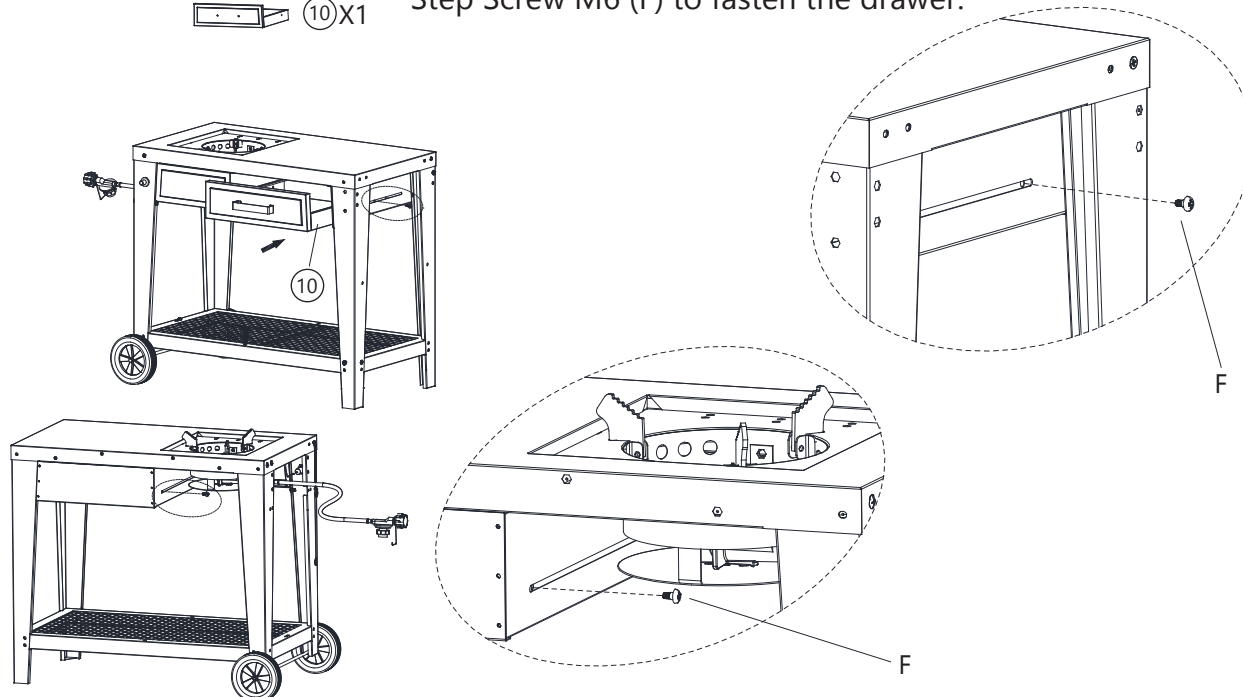
Install Drawer Handle (11) onto Drawer (10), using two Bolt M5 X 10 (E)



STEP 12



Insert assembled Drawer into cart, using two Step Screw M6 (F) to fasten the drawer.



FIRE RIOT **Assembly Instruction**



AX4

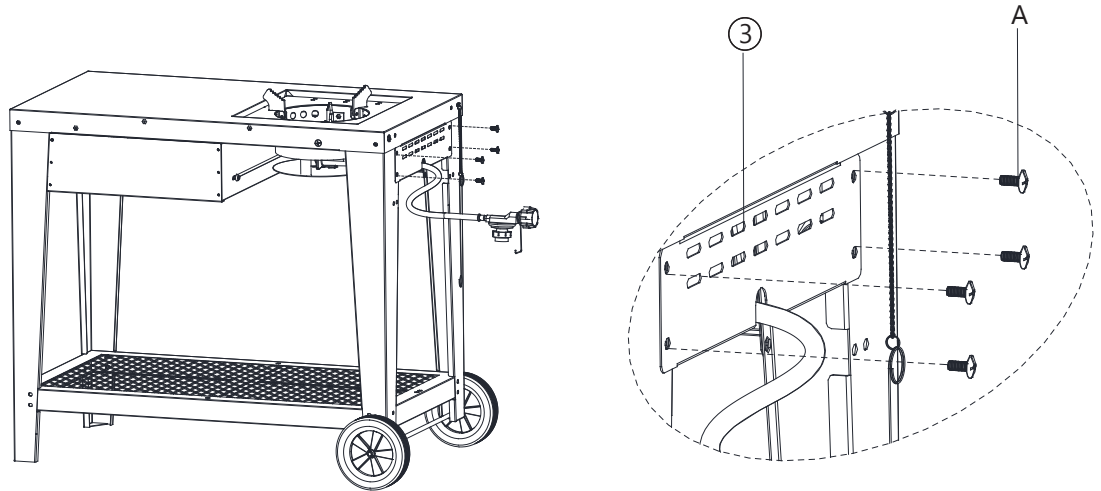


③X1

STEP 13

Install Side Cart Panel (3) onto left side of assembled cart, using four Bolt M6 X 12 (A)

NOTE:DO NOT TIGHTEN BOLT NOW



STEP 14

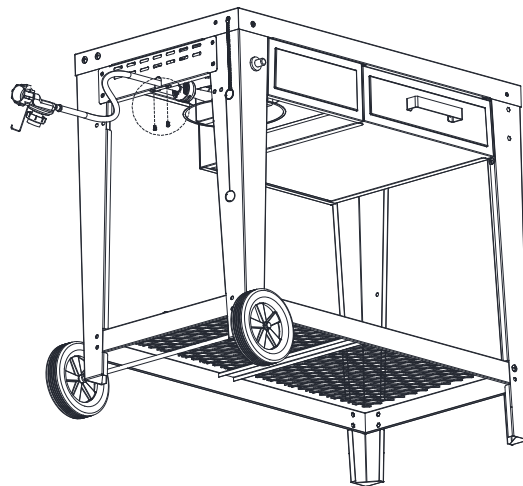
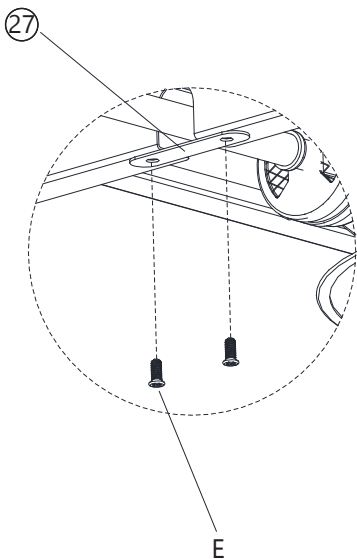


EX2

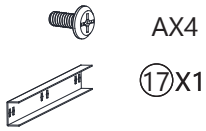


②7X1

Hold regulator on the position, the install Regulator Bracket (27) onto bottom of Side Cart Panel (3), using two Bolt M5 X 10 (E)



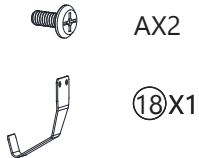
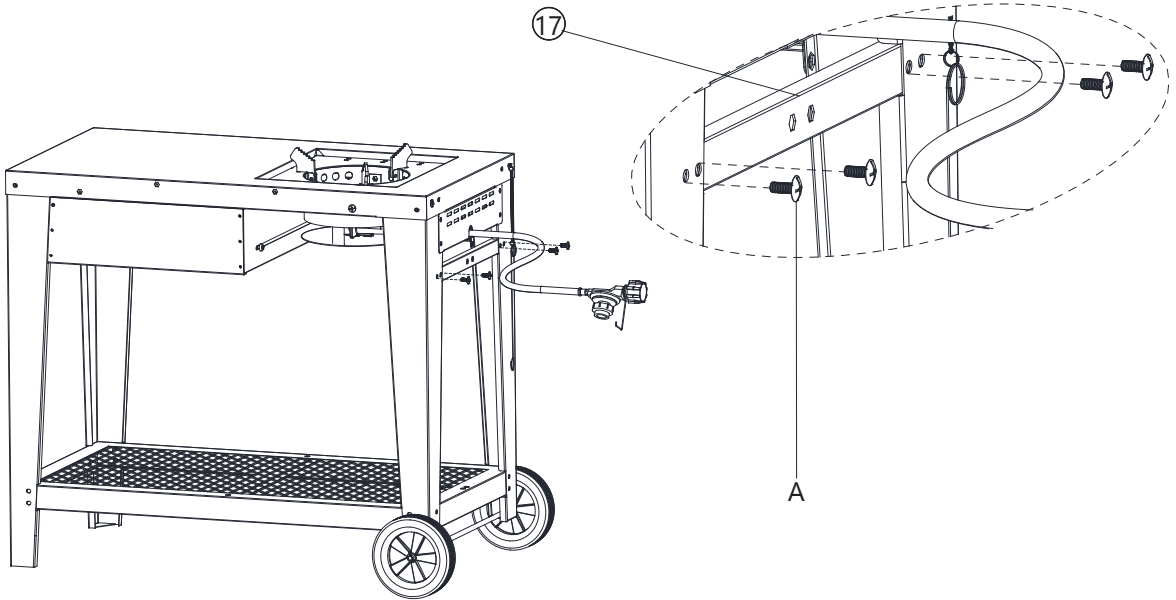
Assembly Instruction



STEP 15

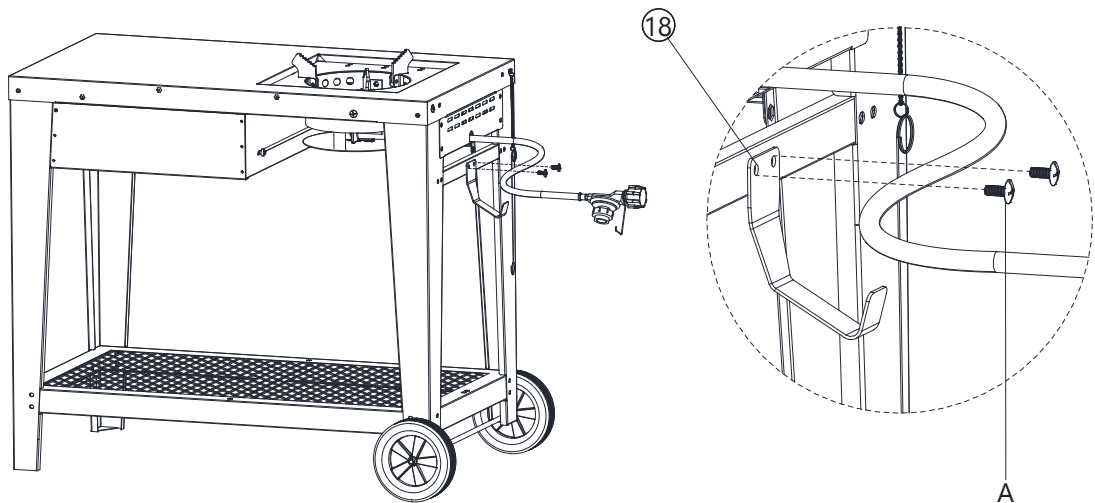
Install Cart Brace (17) onto left side legs, using four Bolt M6 X 12 (A)

NOTE:CHECK AND FULLY TIGHTEN ALL BOLTS



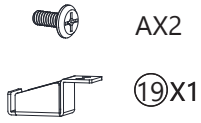
STEP 16

Install Tank Hook (18) onto the Cart Brace, using two Bolt M6 X 12 (A)

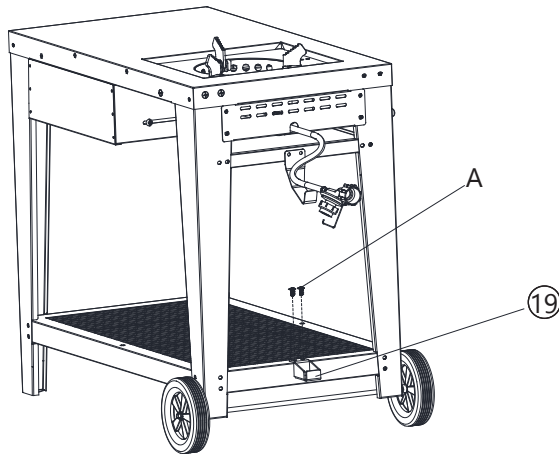


Assembly Instruction

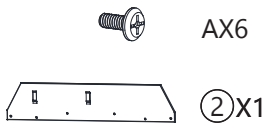
STEP 17



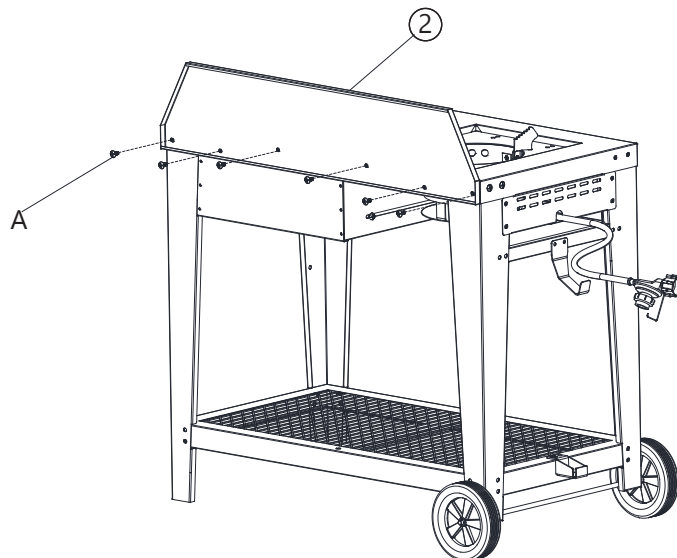
Install Tank Holder (19) onto Bottom Shelf, using two Bolt M6 X 12 (A)



STEP 18

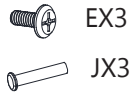


Install Back Upper Panel (2) onto assembled cart, using six Bolt M6 X 12 (A)

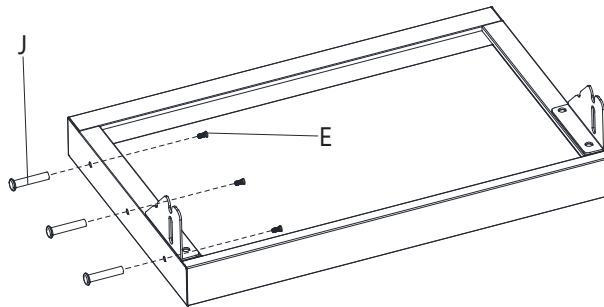


Assembly Instruction

STEP 19

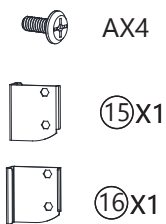


Install Tool Hooks (J) onto Side Shelf, using three Bolt M5 X 10 (E)

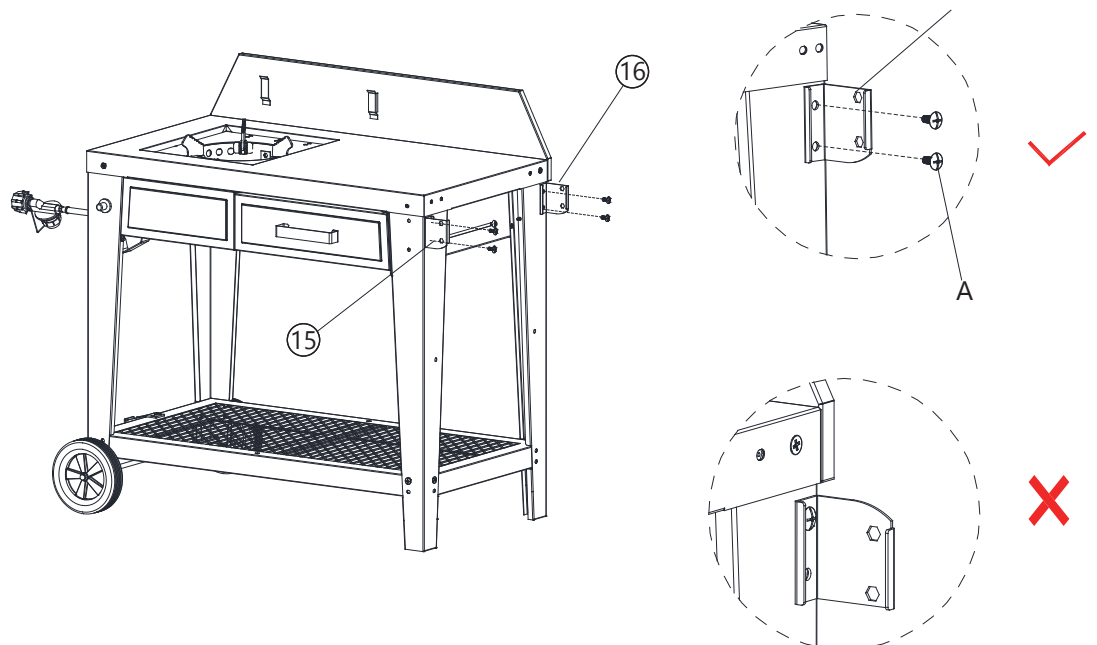


STEP 20

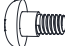

Install Left Bracket- Front (15) and Left Bracket- Rear (16) onto right side legs, using four Bolt M6 X 12 (A).

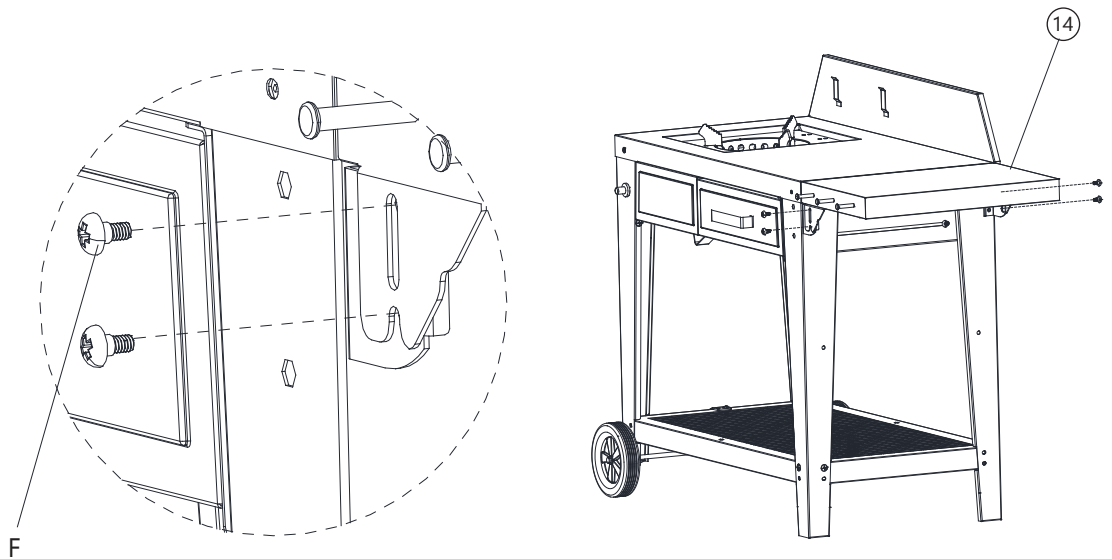


Note: Pay attention to the direction, refer to the picture.





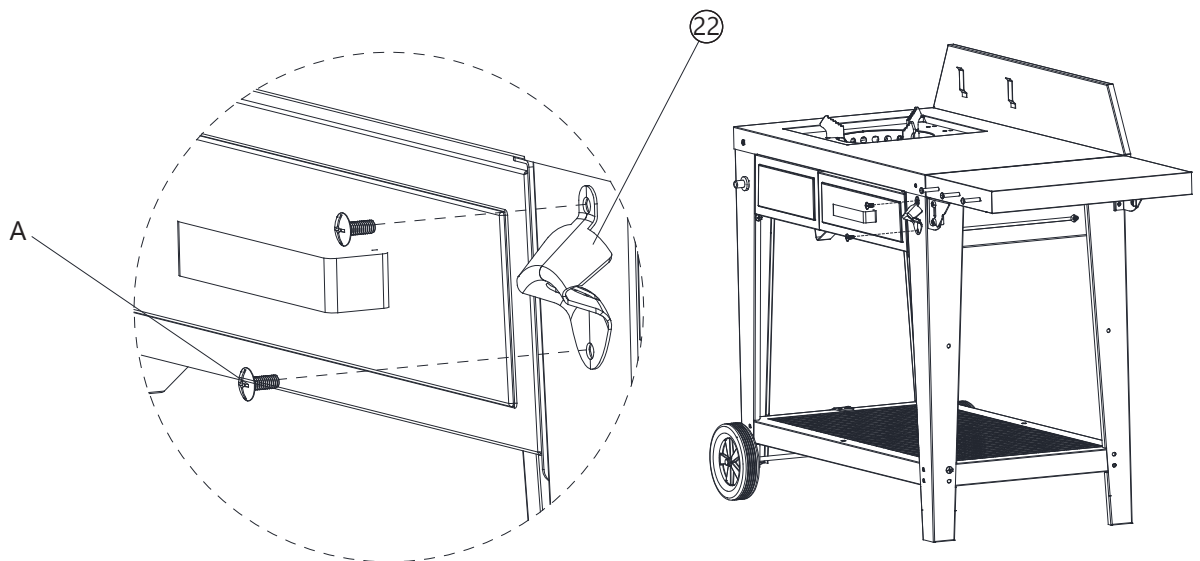
STEP 21

-  FX4
 -  (14) X1
- Install Side Shelf (14) onto right side cart, using four Step Screw M6 (F)



STEP 22

-  AX2
 -  (22) X1
- Install Bottle Opener (22) onto cart, using two Bolt M6 X 12 (A)

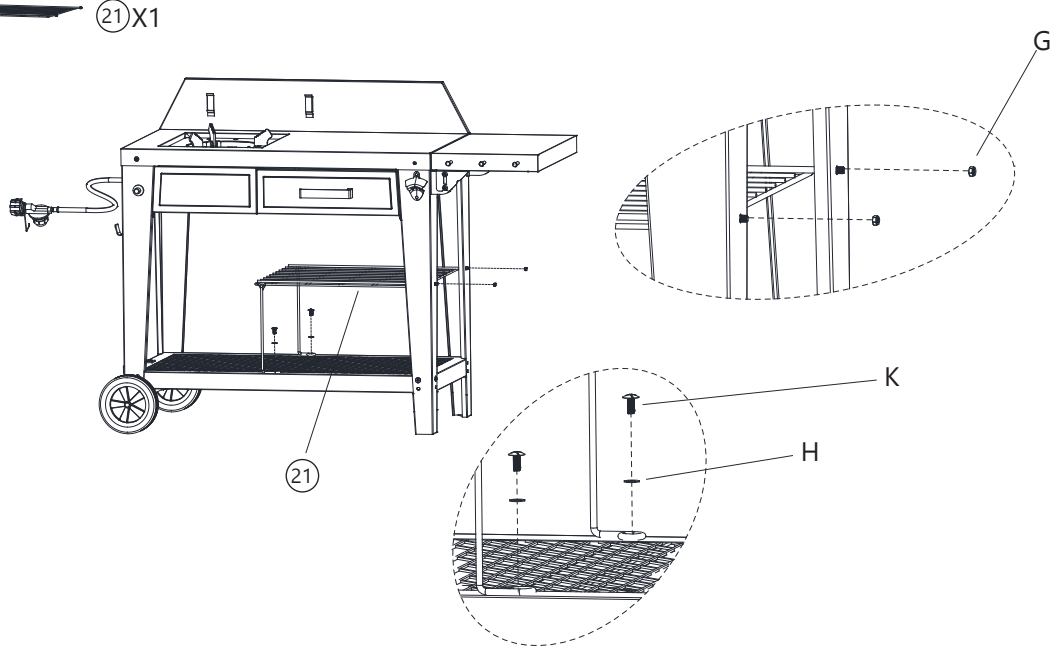
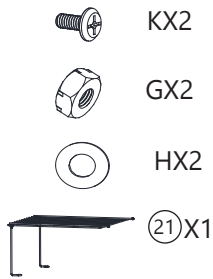


FIRE RIOT

Assembly Instruction

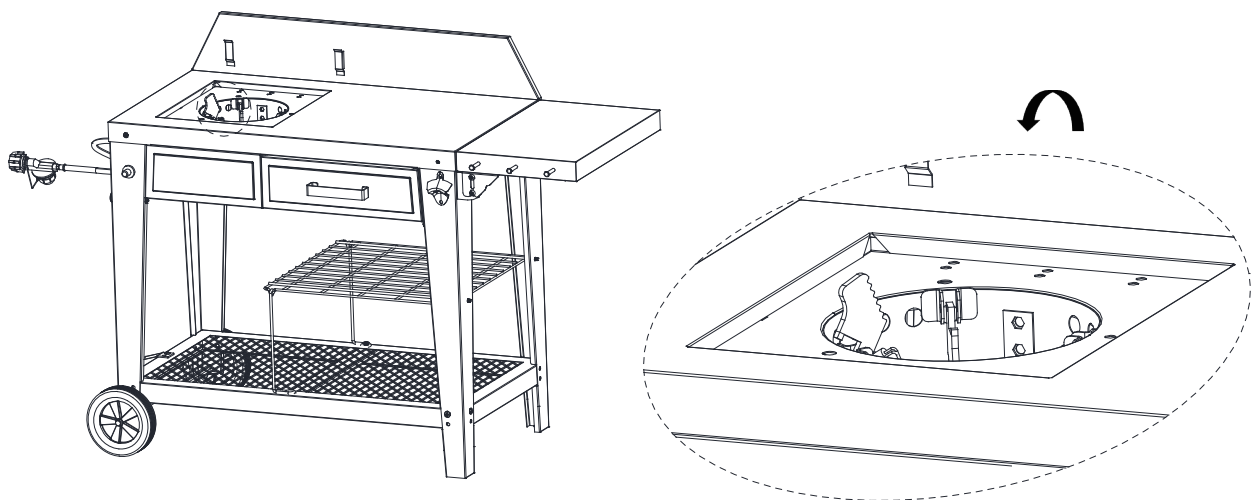
STEP 23

Install Lower Shelf (21) onto cart, using two Nut M5 (G) to hold on the right leg, using two Bolt M6 X 20 (K) and two Spacer (H) to attach to the bottom shelf.



STEP 24

Lift up support feet

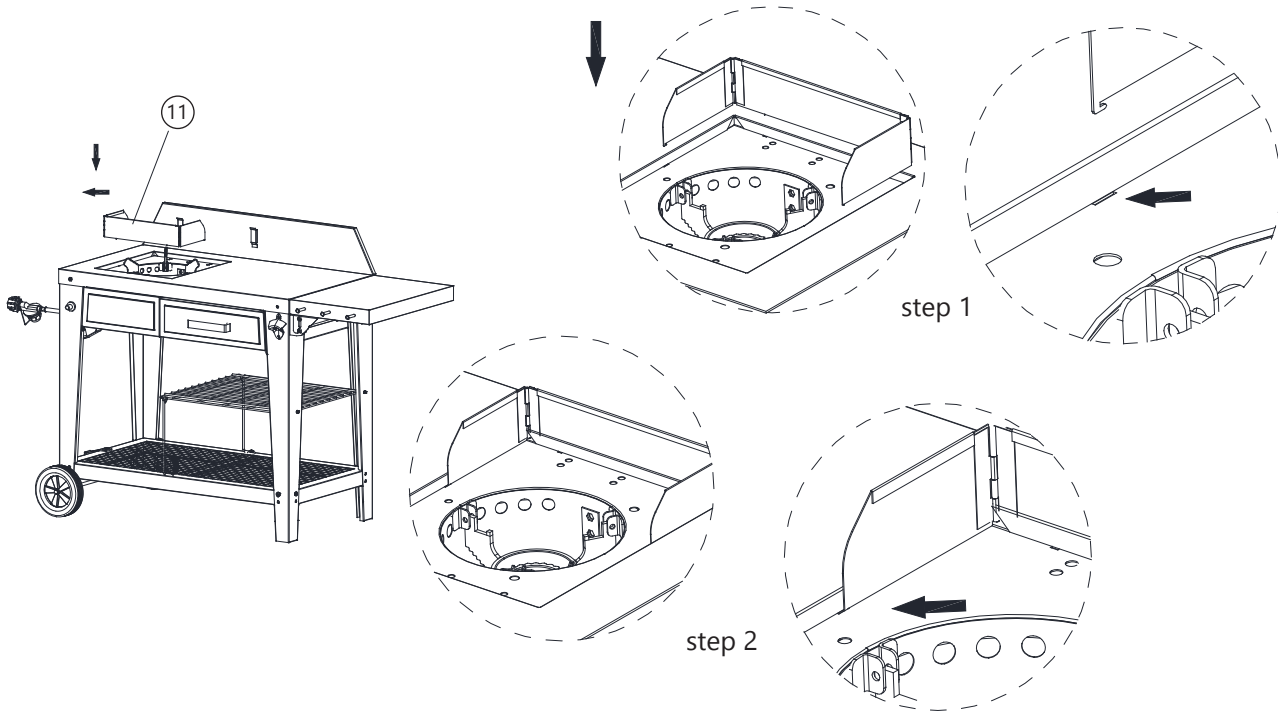


Assembly Instruction

STEP 25

(11) X1 

Expand Wind Shield (9) and place on the position



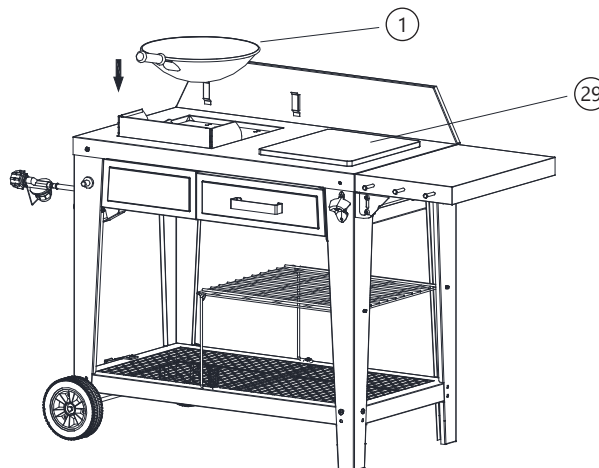
STEP 26

 (1) X1

Place wok on the burner

 (29) X1

Place Cutting Board (29) on the right side of table



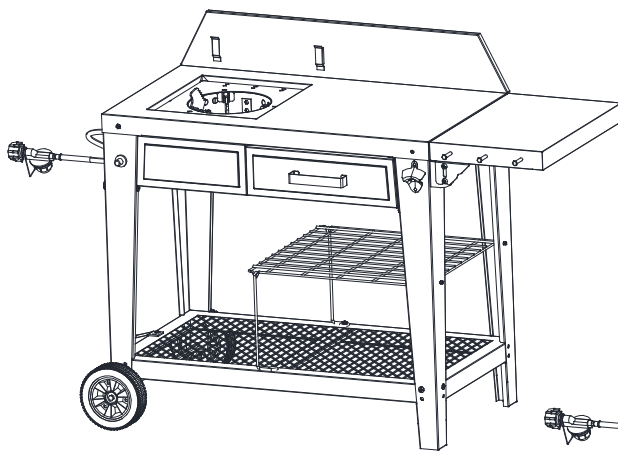
Setup Cook Station:

1. Lift support feet up first
 2. Expand Wind Shield (9) and place on the position
 3. Place wok on the burner
 4. Place Cutting Board (29) on the right side of table
- You are ready to cook

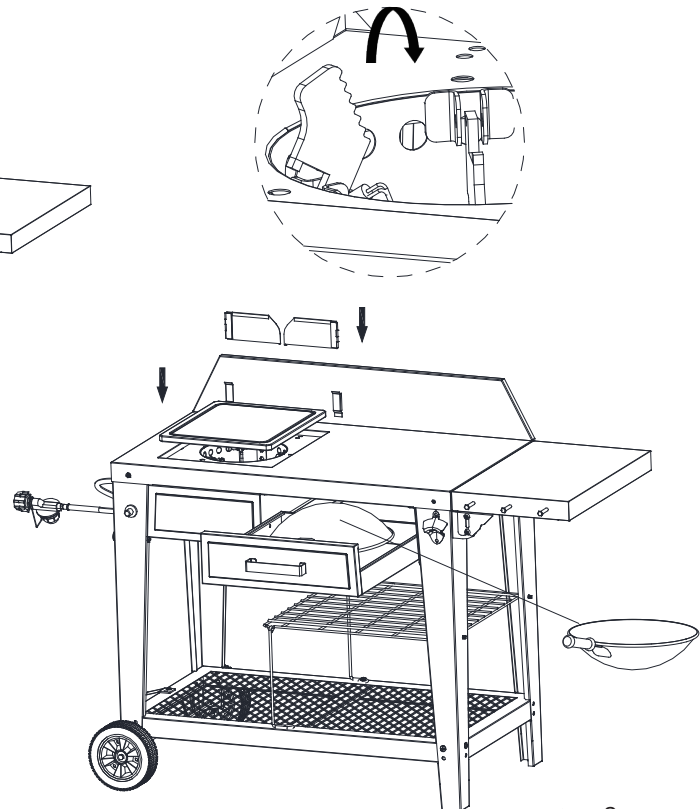
STEP 27

Finish Cooking:

1. Place wok inside of drawer
2. Fold wind shield and hook on the back panel
3. Fold down support feet
4. Use the cutting board cover the burner area



step 1



step 2



step 3



Warranty

HEATAK USA 1-YEAR WARRANTY

Proof of purchase is required to access this warranty program, which is in effect from the date of purchase.

HEATAK USA warranty covers one year from the date of purchase. HEATAK will assist you to get the replacement parts, replace the unit. ALL warranties are limited to the original purchase only. This warranty does not cover any liability for used goods purchase. The purchaser must follow the usage instruction.

Warranty Provisions

- This warranty is non-transferable and does not cover failure due to misuse, improper installation or maintenance.
- This warranty is for replacement of defective parts only. We are not responsible for incidental or consequential damages or labor costs .
- This warranty does not cover damage caused by abrasive or chemical cleaners, or any damage to other components used in the installation or operation of the table.

- Paint is not warranted and may require touch-up.

HEATAK USA customer service team

Phone: 1-800-719-8199
Monday through Friday
9:00 am to 5:00 pm, Eastern Time Zone

Email: Service@heatakusa.com

HEATAK USA