
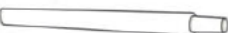


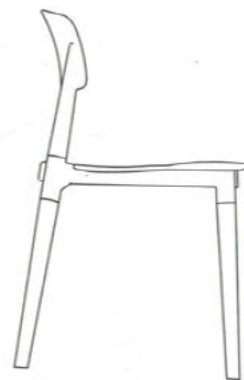


Each product contains

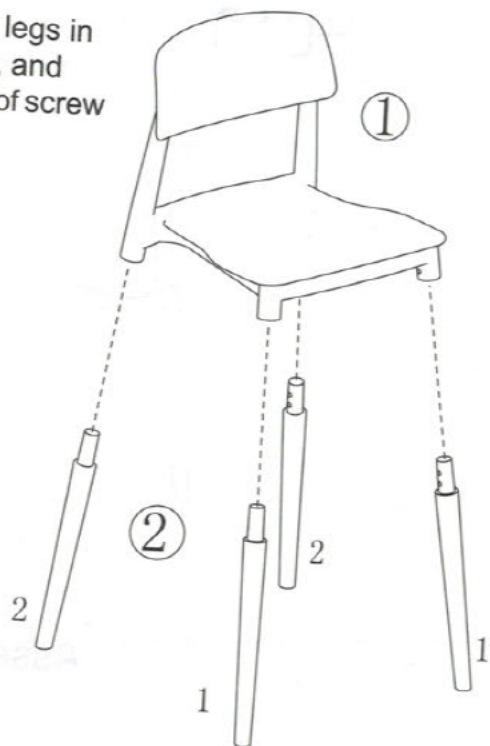
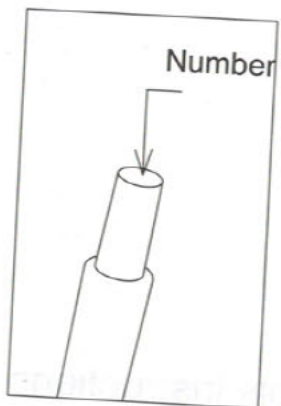
Number	Picture	Name	Quantity	Additional accessories
①		plastic shell	1	
②		wood legs	4	
③		screws	8	1
④		spanner	1	



Assembly instructions

1

1、 Insert four wooden legs in corresponding number, and attention the alignment of screw holes.



2

2、 Assemble and fix screws.

