

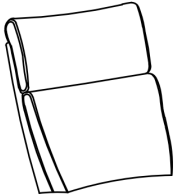
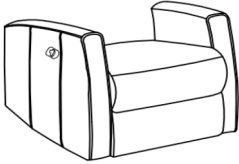
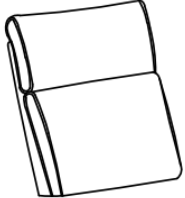
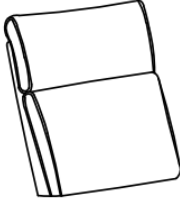
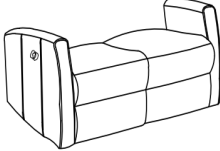
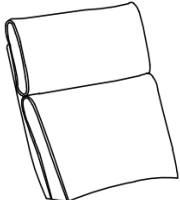
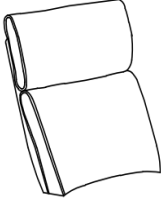
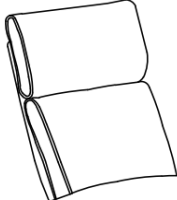
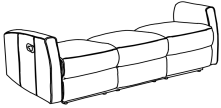
Assembly Instructions

CAUTION

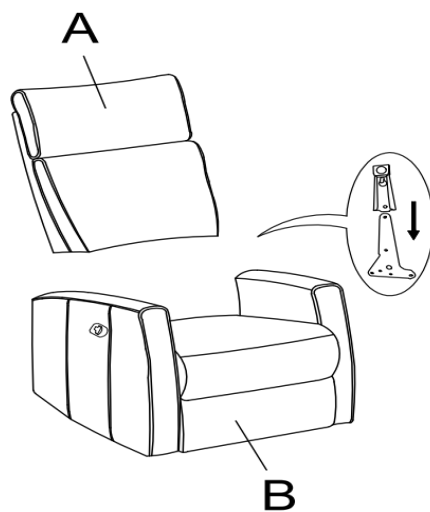
DO NOT use any sharp objects to open plastic wrapped components as this may result damage to product or components .

Your recliner/loveseat/sofa comes packaged in **One** box. Carefully remove all of components from the packaging and set aside for assembly.

Package Contents

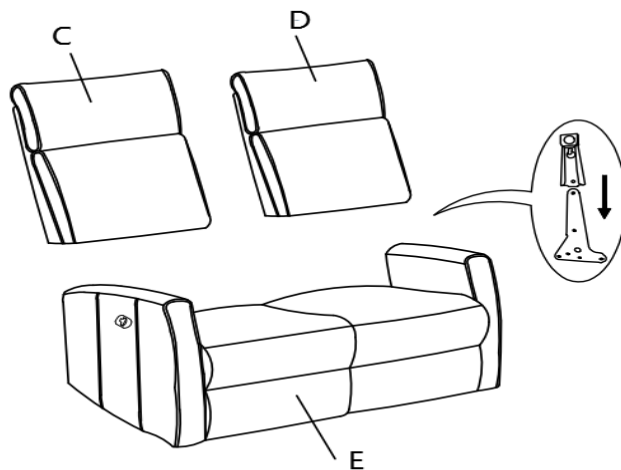
BOX 1				
	A*1	B*1		
BOX 2				
	C*1	D*1	E*1	
BOX 3				
	F*1	G*1	H*1	I*1

1 RECLINER ASSEMBLY - BODY SETUP



STEP For Recliner:

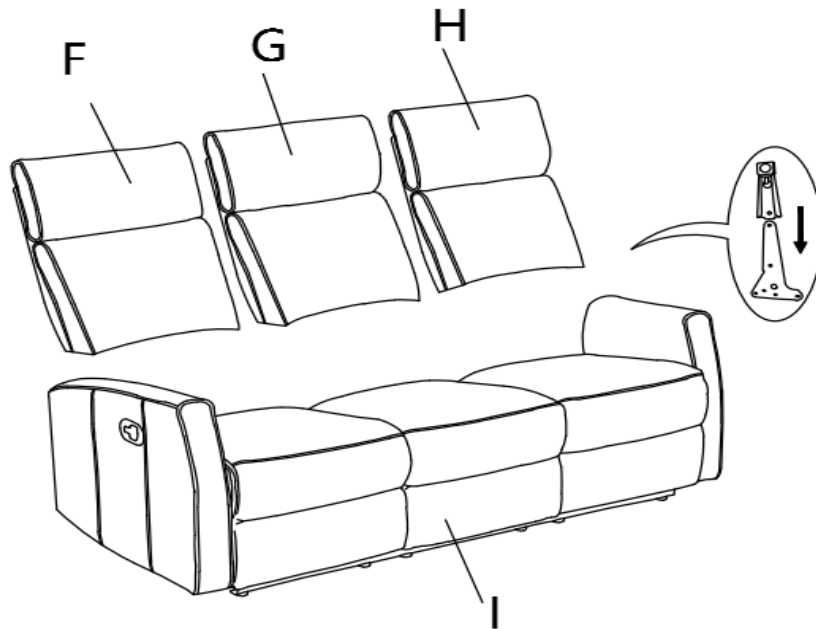
Assemble the **Chair Back(A)** to its **Seat(B)**, making sure it is securely installed before use.



STEP For Loveseat:

Assemble the **Chair Back(C&D)** to its **Seat(E)**, making sure it is securely installed before use.

2 RECLINER ASSEMBLY - BODY SETUP

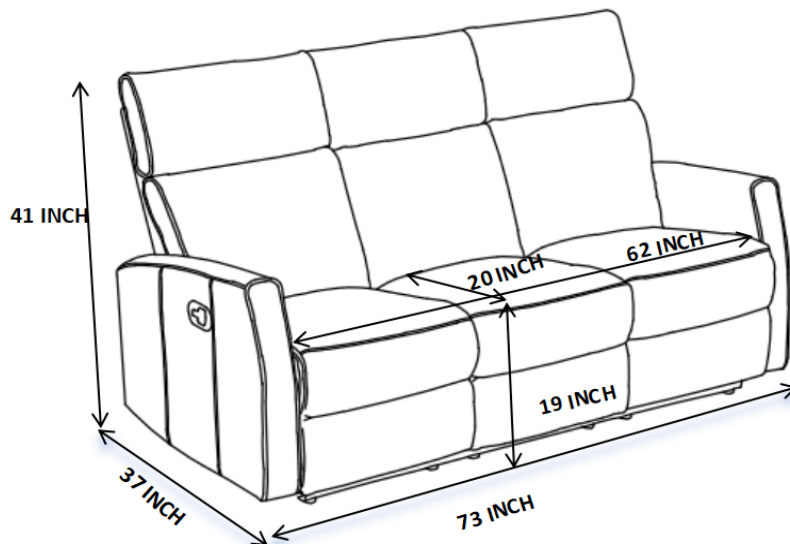
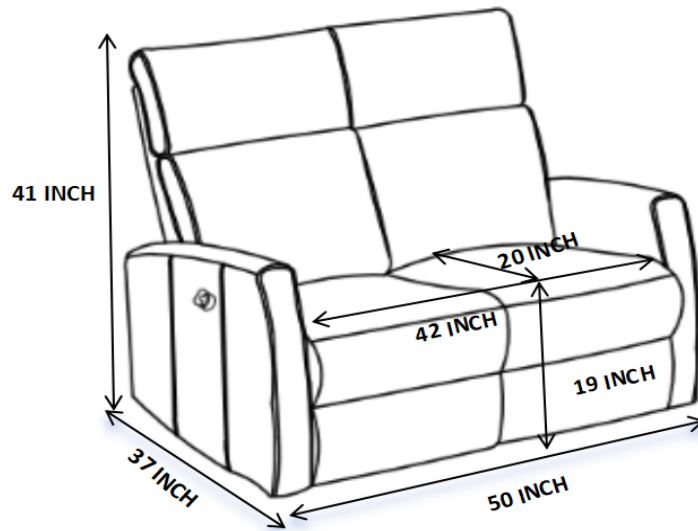
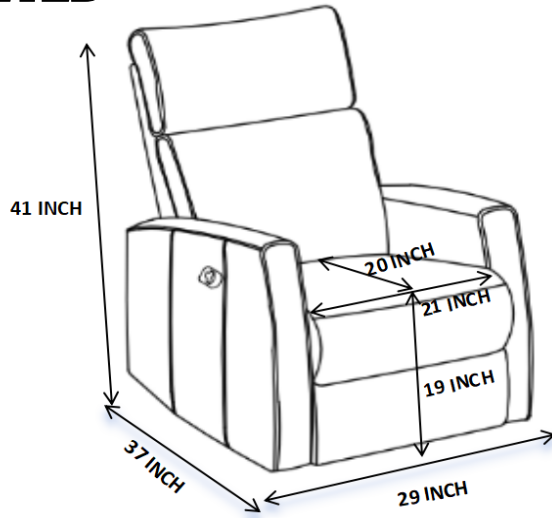


STEP For Sofa:

Assemble the **Chair Back(F&G&H)** to its **Seat(I)**, making sure it is securely installed before use.

3 RECLINER ASSEMBLY - BODY SETUP

ASSEMBLY COMPLETED



⚠️ WARNINGS

1. Please check if the components of the chair are all included and can be used normally.
2. Assemble all components according to the instruction correctly before you connect the chair to the power.
3. Please DO NOT sit on the armrests or footrest to eliminate the risk of tipping over.
4. If the chair is damaged or doesn't match the website description, please send clear pictures of the product and label of the carton to our service team for further help.
5. If the recliner doesn't work, you may try the following measures for self-checking firstly:
 - a) check if all the cables are connected;
 - b) check if the light of transformer is on.

If the chair still doesn't work, please feed the information back to our customer service in time and we will help you solve the matter as soon as possible.

