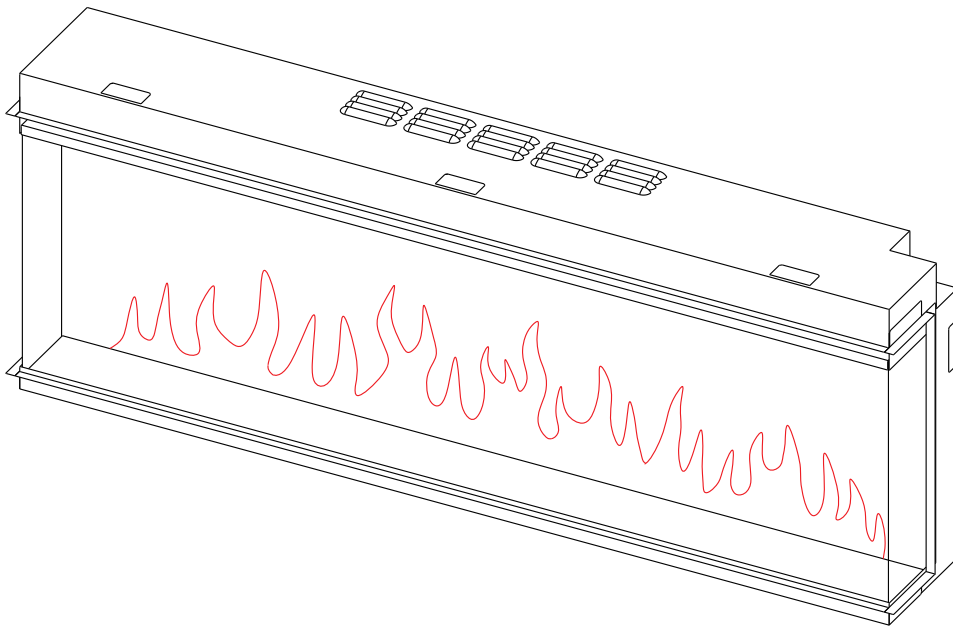


BUILD IN & WALL MOUNT


ELECTRIC FIREPLACE

INSTRUCTION MANUAL



PLEASE READ THE INSTRUCTIONS CAREFULLY BEFORE INSTALLING AND USING APPLIANCE.
SAVE THIS INSTRUCTION MANUAL FOR FUTURE REFERENCE.

IMPORTANT SAFETY INFORMATION

- Read all of the instructions before using this appliance.
- For indoor use only. This appliance is not suitable for use outside the house and only suitable for well insulated spaces or occasional use.
- DO NOT use this appliance in the immediate surroundings of a bath, a shower or a swimming pool.
- DO NOT use this fire as a free-standing appliance. It must always be fixed to the wall.
- This fire must not be located immediately below a socket outlet. This appliance must be earthed.
- This appliance must not be supplied through an external switching device, such as a timer, or connected to a circuit that is regularly switched on and off by utility in order to avoid a hazard due to the inadvertent resetting of the thermal cut out.
- If the power cord is damaged, it must be repaired by the manufacturer, its authorized service centre or professional person.
-  The figure in the marking is “DO NOT COVER”

WARNING! in order to avoid overheating, do not allow the appliance to be covered or let the air inlet/outlet become obstructed.

- To reduce the risk of fire, keep textiles, curtains, or any other flammable material a minimum distance of 1 meter from the air outlet.
- Keep the power cord away from hot surfaces and hot conditions. DO NOT route the power lead in front of the appliance.
- DO NOT use this fire in rooms that have explosive fumes in them (for example petrol), or if you are using solvents, glue, aerosol spray or flammable paints, as these may catch fire.
- This appliance can be used by children aged from 8 years and above and persons with reduced physical, sensory or mental capabilities or lack of experience and knowledge if they have been given supervision or instruction concerning use of the appliance in a safe way and understand the hazards involved.
- Children and vulnerable people must be supervised at all times when using this appliance, as some parts can become very hot and cause burns.
- DO NOT use this appliance in small rooms when they are occupied by persons not capable of leaving the room on their own, unless constant supervision is provided.
- Children aged between 3 and 8 years old should only switch on/off the appliance provided that it has been placed or installed in its intended normal operating position and instructions and supervision concerning the safe usage of the appliance are given.
- Cleaning and user maintenance shall not be made by children without supervision.
- This appliance shall not be played with by children.
- Children of less than 3 years should be kept away unless continuously supervised.
- Keep the power plug accessible after installation.
- DO NOT use if there are visible signs of damage to the appliance.
- DO NOT use this heater if it has been dropped.

TECHNICAL SPECIFICATIONS

Supply Voltage: AC 230-240V 50Hz

Maximum power consumption: 1.5KW

Power for flame and fuel bed effect:

HEAT OUTPUT:

Nominal heat output (Pnom): 1.5KW

Minimum heat output (indicative) (Pmin): 0.75KW

Maximum continuous heat output (Pmax): 1.5KW

AUXILIARY ELECTRICITY CONSUMPTION:

At nominal heat output (elmax): 12.5W

At minimum heat output (elmin): 12.0W

In standby mode (elSB): 1.2W


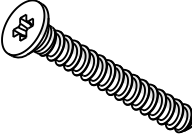
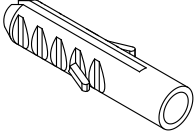
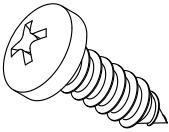
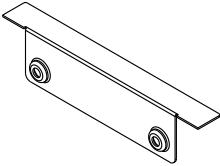
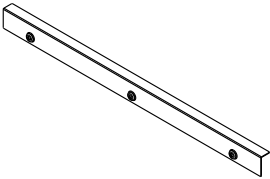
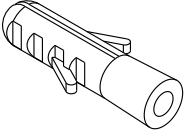
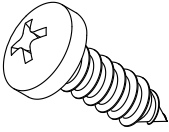
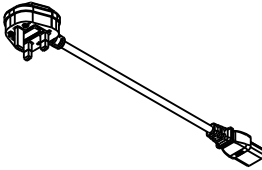
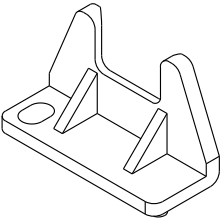
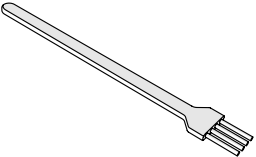
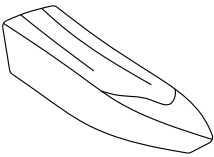
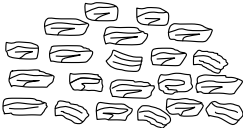
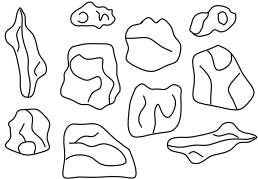
TYPE OF HEAT OUTPUT/ROOM TEMPERATURE CONTROL	
Single stage heat output and no room temperature control	NO
Two or more manual stages, no room temperature control	NO
With mechanical thermostat room temperature control	NO
With electronic room temperature control	Yes
Electronic room temperature control plus day timer	Yes
Electronic room temperature control plus week timer	Yes

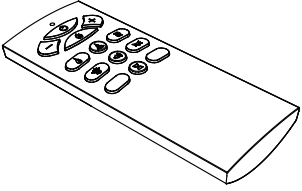
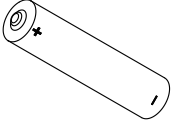

OTHER CONTROL OPTIONS	
Room temperature control, with presence detection	NO
Room temperature control, with open window detection	Yes
With distance control option	Yes
With adaptive start control	Yes
With working time limitation	NO
With black bulb sensor	NO

Control PCB	Remote Control Receiver	WiFi Module	Remote Control Transmitter
Hardware: RC01-055C00 V0 Software: RC01-055C01 V0	Hardware: RC01-05A V0	Frequency: 2.4GHz Maximum transmit power: 100mW Hardware: WR3 V1.0	Frequency: 38KHz Maximum transmit current: 20µA Hardware: RC06-028 V0 Software: RC06-028 V0

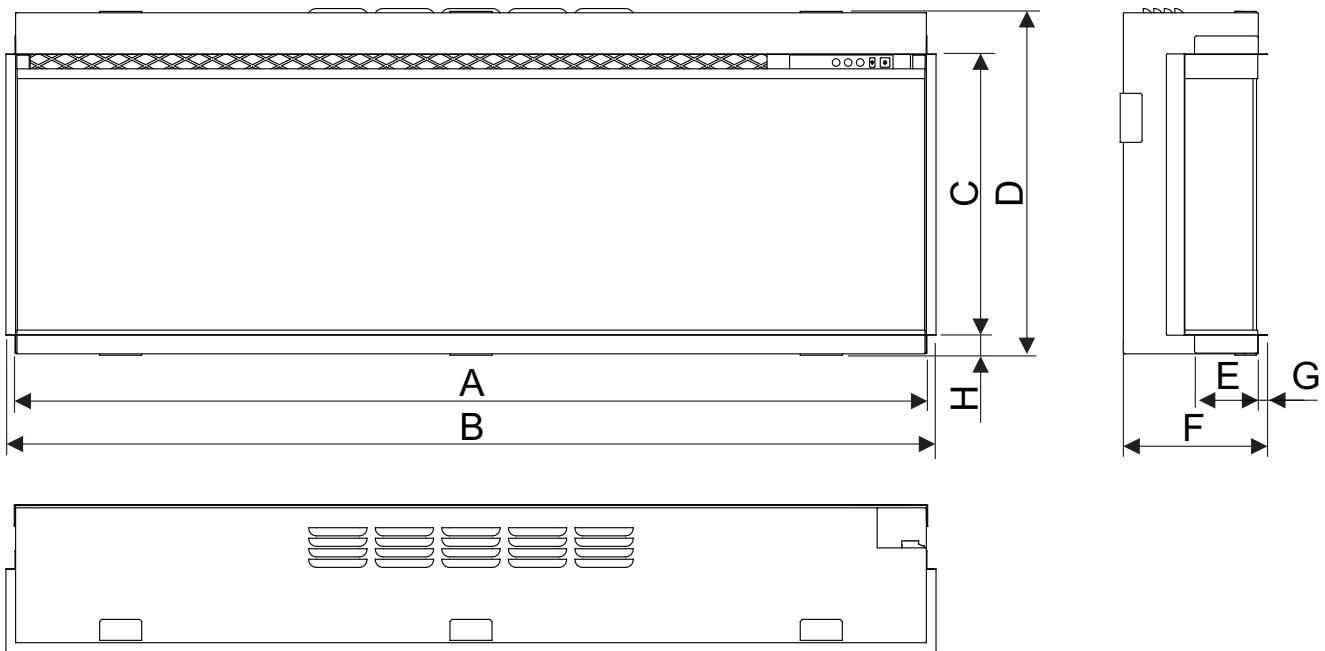
PARTS AND HARDWARE

- Unpack the fire carefully, make sure that the appliance is intact with no signs of damage caused by transport and no part has been exposed to water. If in doubt, do not use the appliance and contact an authorized service center.
- Keep plastic wrapping away from children.
- Save the original packaging as this may be required in the event of service complaint with product.
- Check that all parts are removed from the packaging.

 <p>1x</p>	 <p>4x</p>	 <p>13/13/14/14/18x</p>	 <p>13/13/14/14/18x</p>
<p>Firebox</p>	<p>Screw ST4*8</p>	<p>Screw ST5*40</p>	<p>Wall Plug Ø8*40</p>
 <p>2x</p>	 <p>4/4/6/6/6x</p>	 <p>4x</p>	 <p>2x</p>
<p>Fixing Bracket</p>	<p>Screw ST4*12</p>	<p>Side Strip 1</p>	<p>Side Strip 2</p>
 <p>1x</p>	 <p>1x</p>	 <p>1x</p>	 <p>1x</p>
<p>Wall Plug Ø4*20</p>	<p>Screw ST4*10</p>	<p>Power Cord</p>	<p>Tail Bracket</p>
 <p>1x</p>	 <p>1x</p>	 <p>1x</p>	 <p>1/1/2/2/2x</p>
<p>Brush</p>	<p>Resin Log</p>	<p>Vermiculite</p>	<p>Black Chips</p>

 <p>1x</p>	 <p>2x</p>	 <p>1x</p>	
<p>Remote Handset</p>	<p>AAA Battery</p>	<p>Instruction Manual</p>	

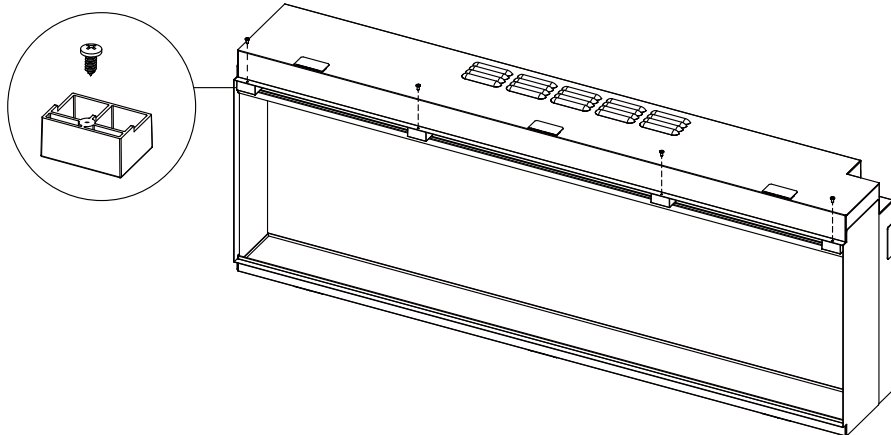
APPLIANCE DIMENSIONS



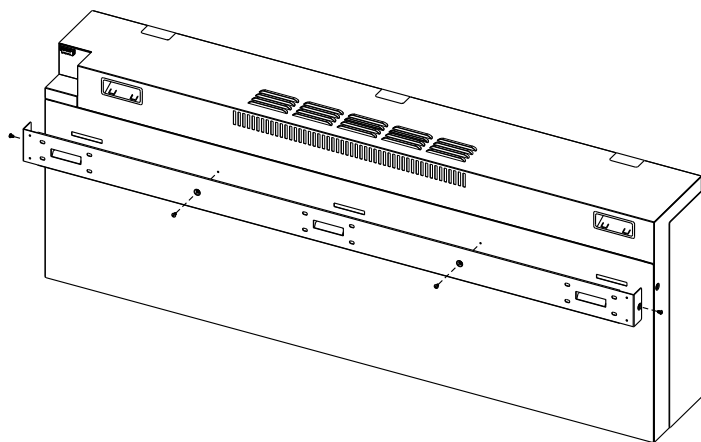
Unit : mm

INSTALLATION INSTRUCTIONS

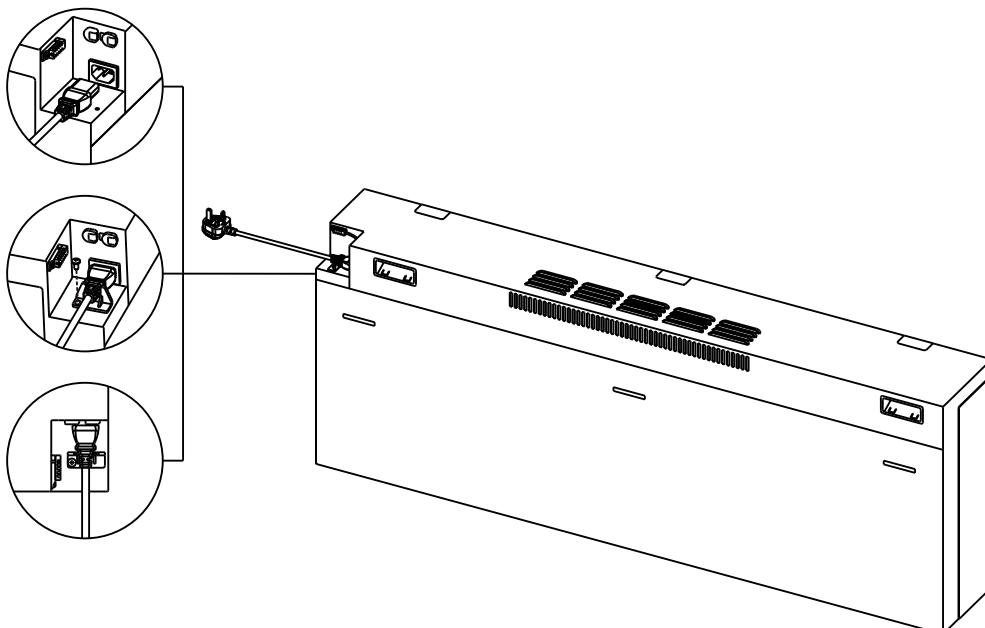
1.1 Remove the bracket used to protect the glass during transportation.



1.2 Remove the wall mounting bracket

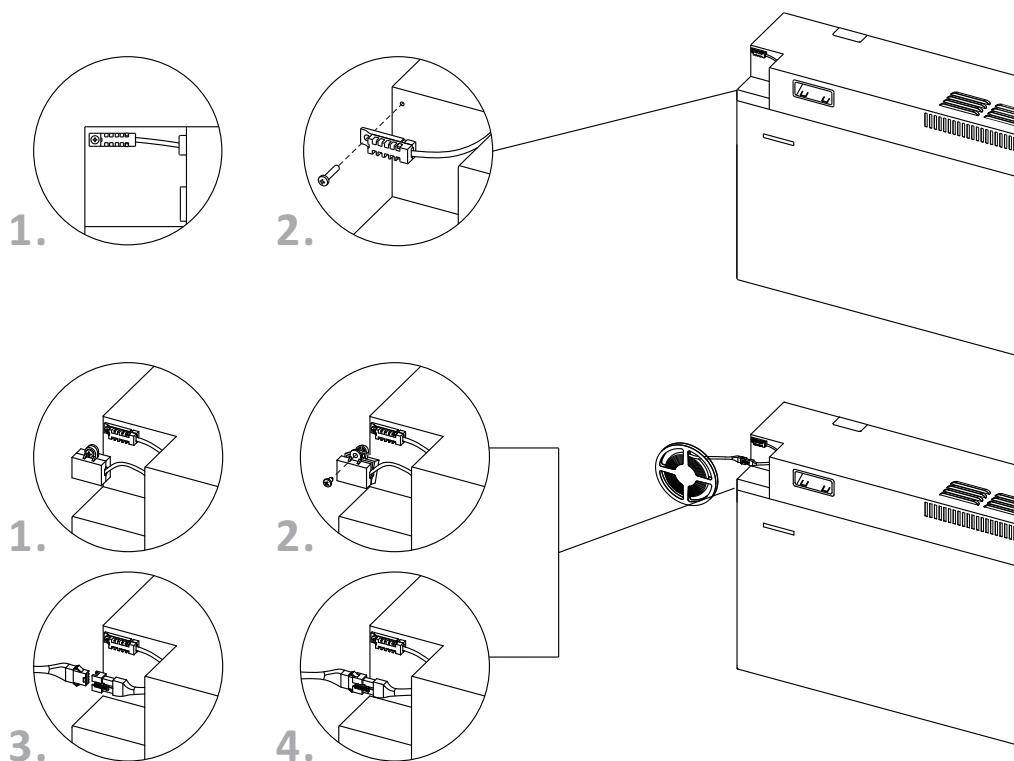


1.3 Connect the power cord by a tail bracket and 1pc ST4*10 screw.



1.4 Remove the temperature sensor from the firebox (if needed). You can fix it on the outer surface of the wall to measure the room temperature more accurately. The cable is 95cm long.

1.5 Remove the protective cover of the plug for mood light (if needed)



Note: Compatible mood lights are available from Modello Ltd., and other makes may not be suitable and will void warranty.

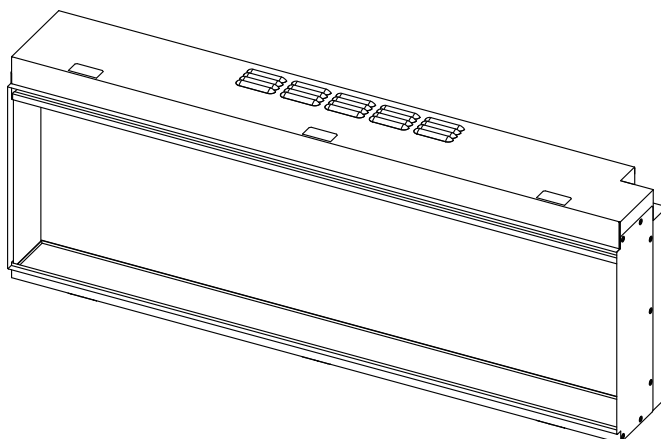
1.6 Choose aspect type

The appliance can be installed in three different aspects:

- Front (1 glass panel)
- Corner (2 glass panels)
- Panoramic (3 glass panels)

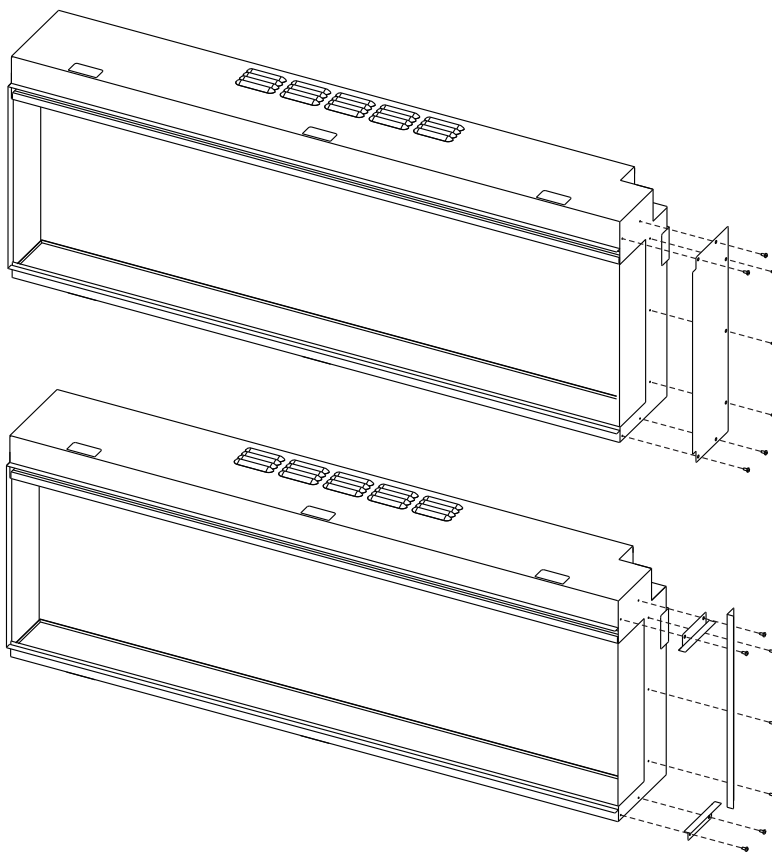
Front Aspect

Your appliance will arrive in a **front** aspect with metal side panels already fitted.



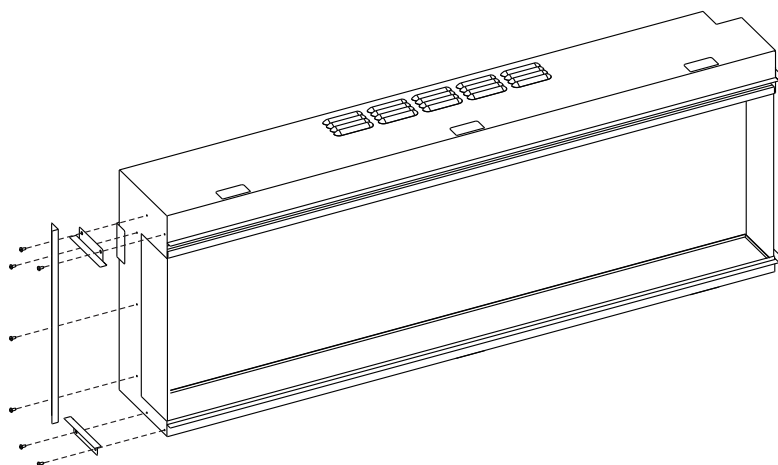
Corner Aspect

For a corner aspect, choose which side you want to feature a glass panel and remove the 7 screws that secure the metal side panel to the appliance. Carefully remove the panel and keep the screws in a safe place. Using the removed screws, take **2 top/bottom** side glass edge trims and **1 side** glass edge trim and screw them to the appliance as shown below.



Panoramic Aspect

For a panoramic aspect, repeat the corner aspect procedure on the opposite side of the appliance.



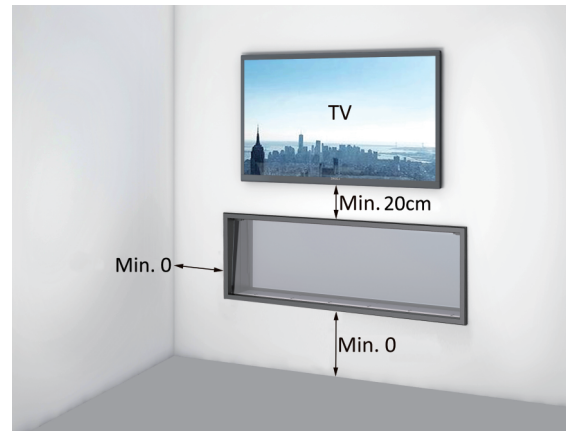
1.7 Locating the appliance

Your new electric fireplace may be installed virtually anywhere in your home. However, when choosing a location ensure that the general instructions are followed.

- For best results, install out of direct sunlight.
- The appliance should be connected to an earthed electrical outlet and it must be easily accessible to allow disconnection.

MINIMUM CLEARANCE TO COMBUSTIBLE

Sides.....	0
Floor.....	0
Back.....	0
Top (Mantel or TV)	20cm Minimum
Front.....	100cm Minimum



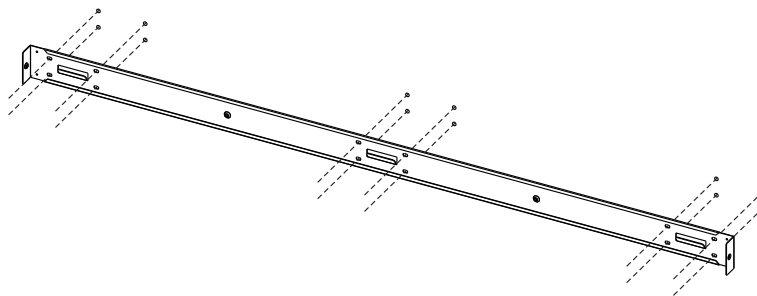
1.8 Prepare power supply

1.9 Installation

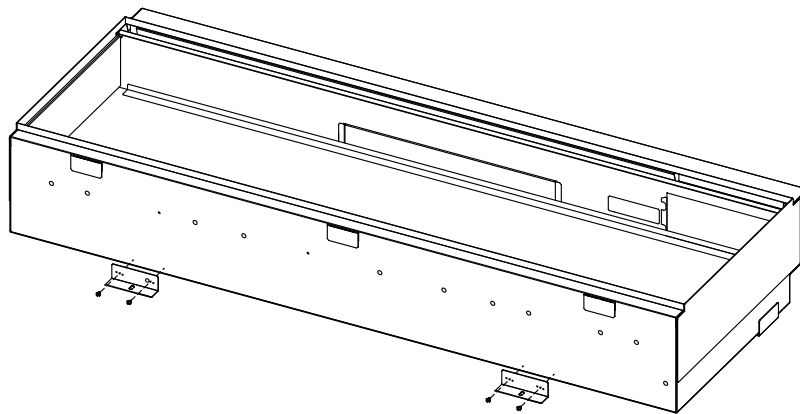
WALL MOUNTED

Fix the wall mount bracket on the wall

Put the mounting bracket on the wall where you would like to install the appliance, mark the holes for screws, drill holes on the marks, insert the wall plugs $\Phi 8 \times 40$ into the holes, fix the bracket by screw ST 5*40.

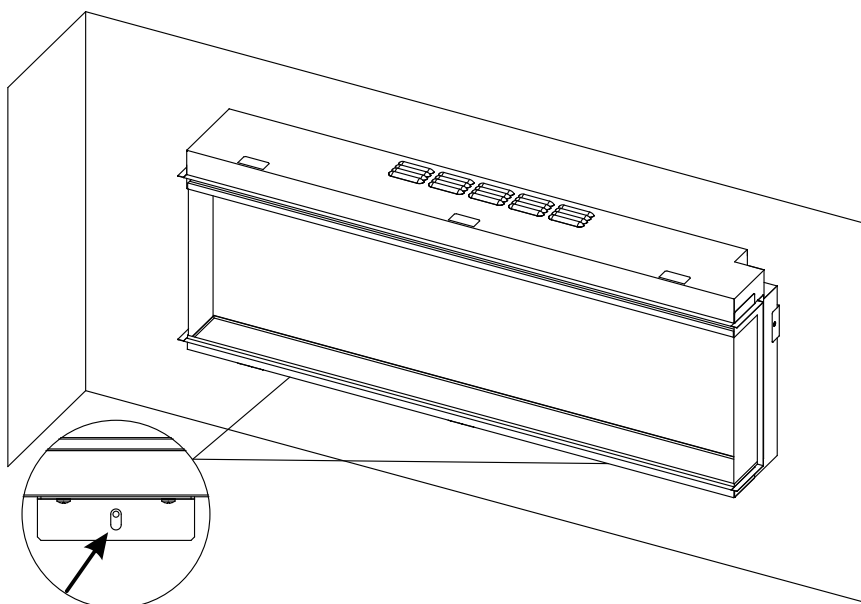


Fix two fixing brackets at the bottom by four ST 4*8 screws.

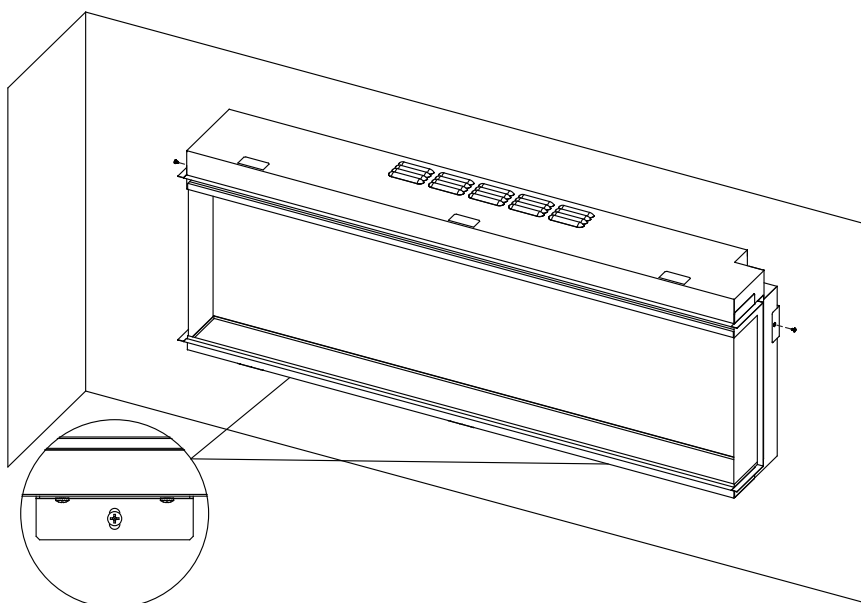


Mark the position for fixing bracket

Lift the appliance up and attach to the mounting bracket, mark the hole position of fixing bracket, take the appliance down. Drill holes on the marks, insert wall plug $\Phi 8*40$ into it.

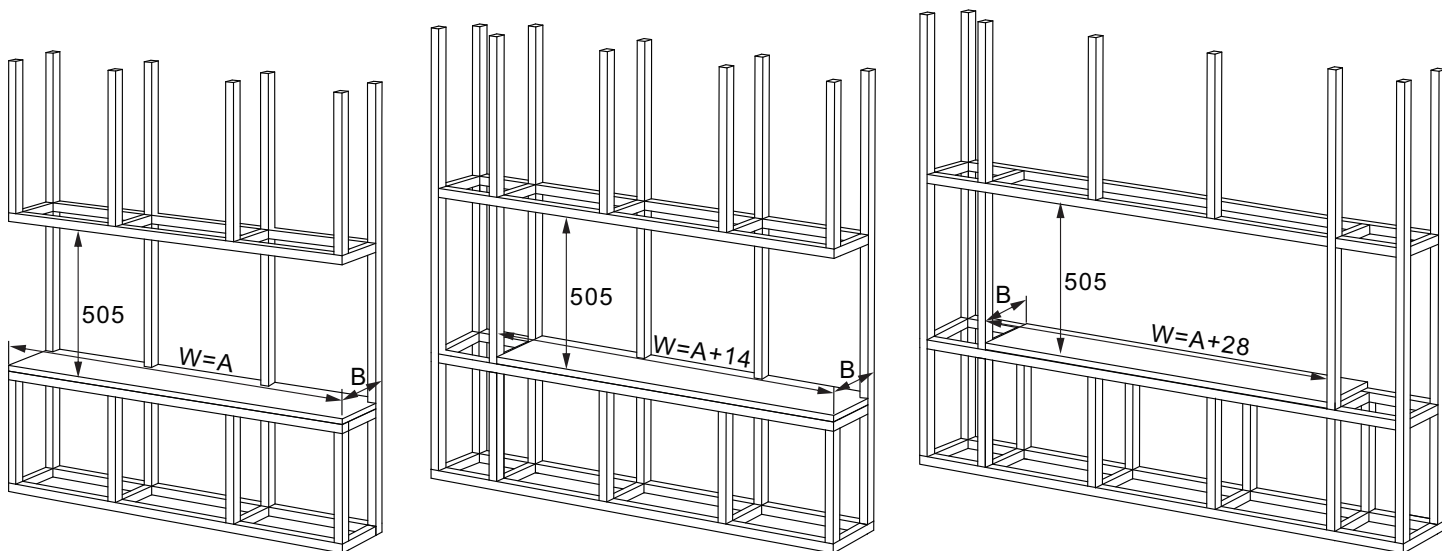


Attach the appliance on the bracket and secure



BUILD IN

Build a frame



Panoramic

Corner

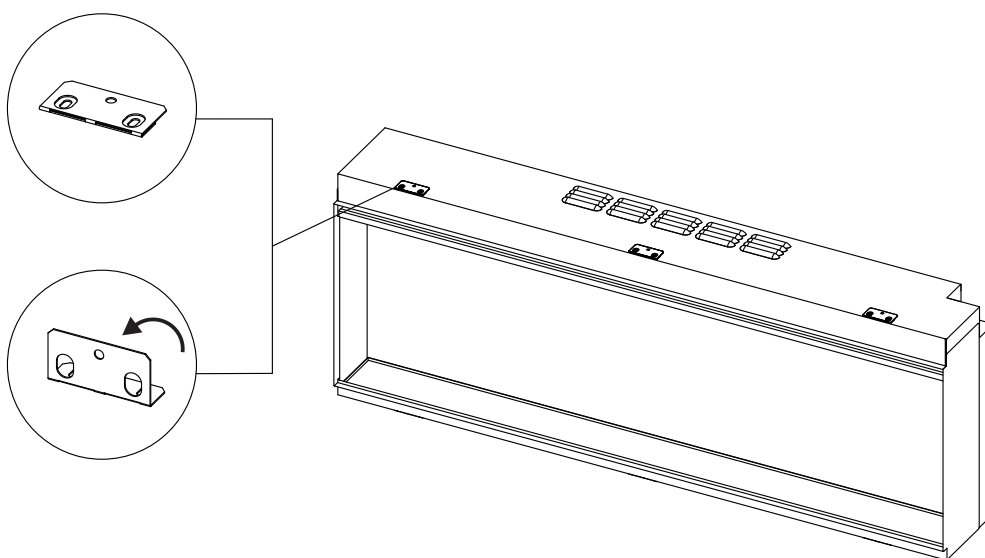
Front

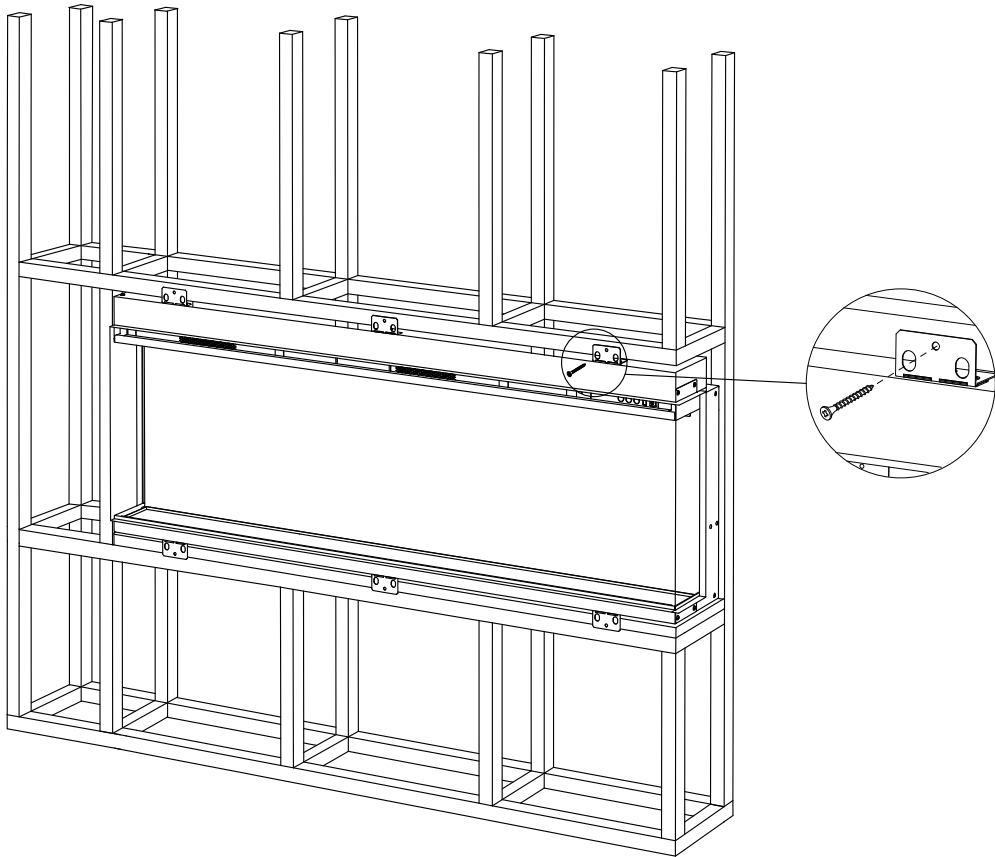
Unit: mm

	EF407A	EF408A	EF409A	EF410A	EF411A
A	900	1100	1300	1500	1800
B	235	235	235	235	235

Secure the appliance to the frame

The brackets on top and bottom panels can be forced upright by fingers, open the brackets, insert the appliance into the frame, fix it on the frame by 6 ST4*12 screws.

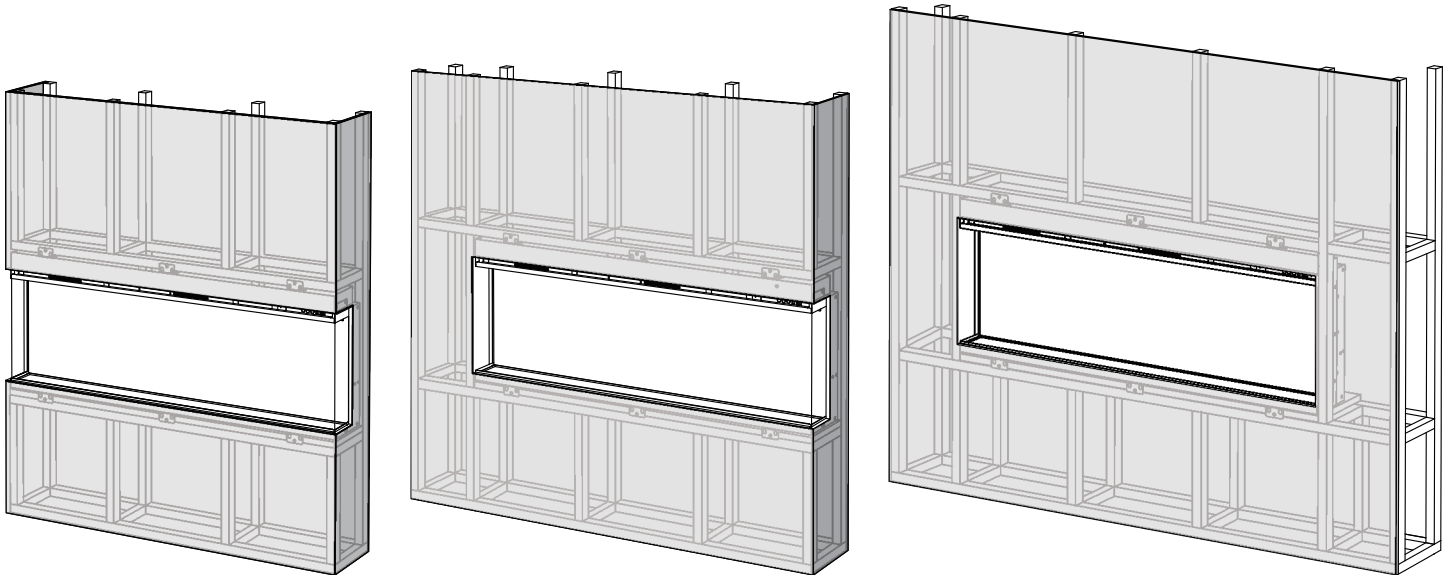




Plug it in and test the function

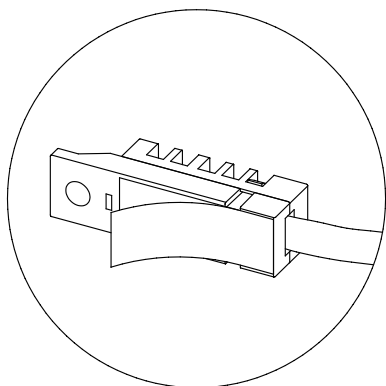
Finish the wall

Note: leave the sensor out of the finished wall.

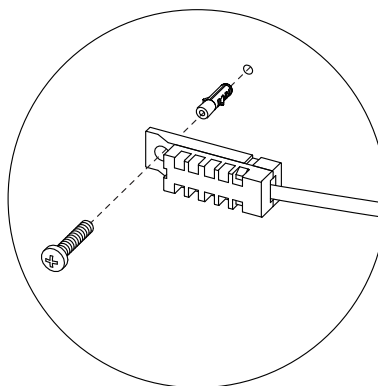


1.10 Temperature sensor arrangement

In order to improve the accuracy of the temperature sensor, you can remove it from the appliance and fix it on the wall where the hot air from the heater has less effect. If needed, a wall plug $\Phi 4*20$ could be used when fix on the wall.

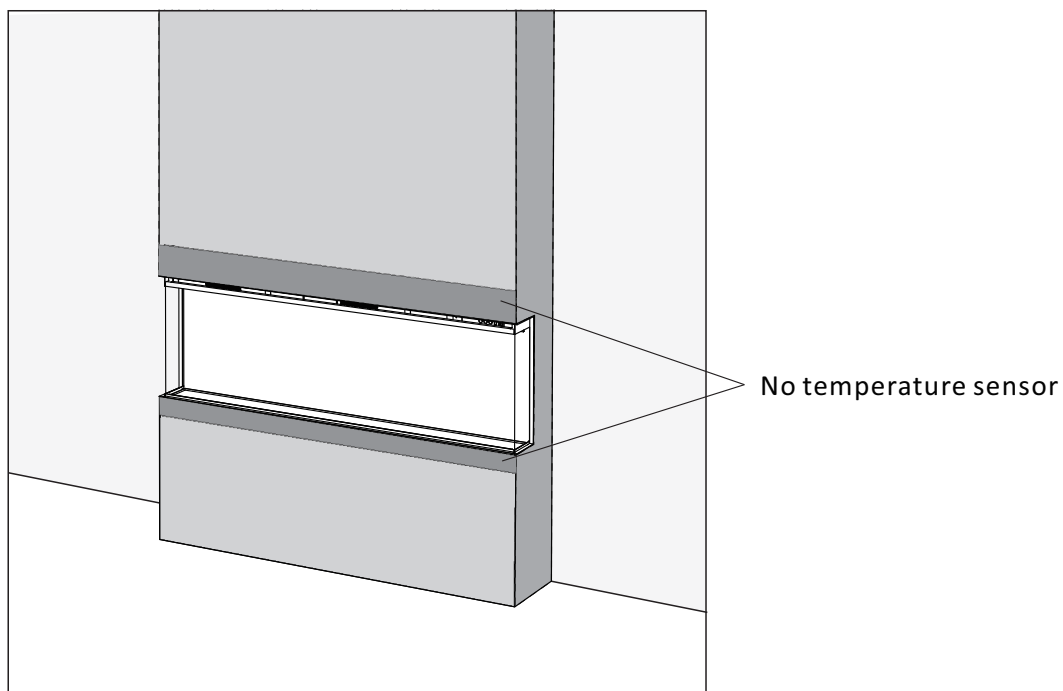


Stick on the wall

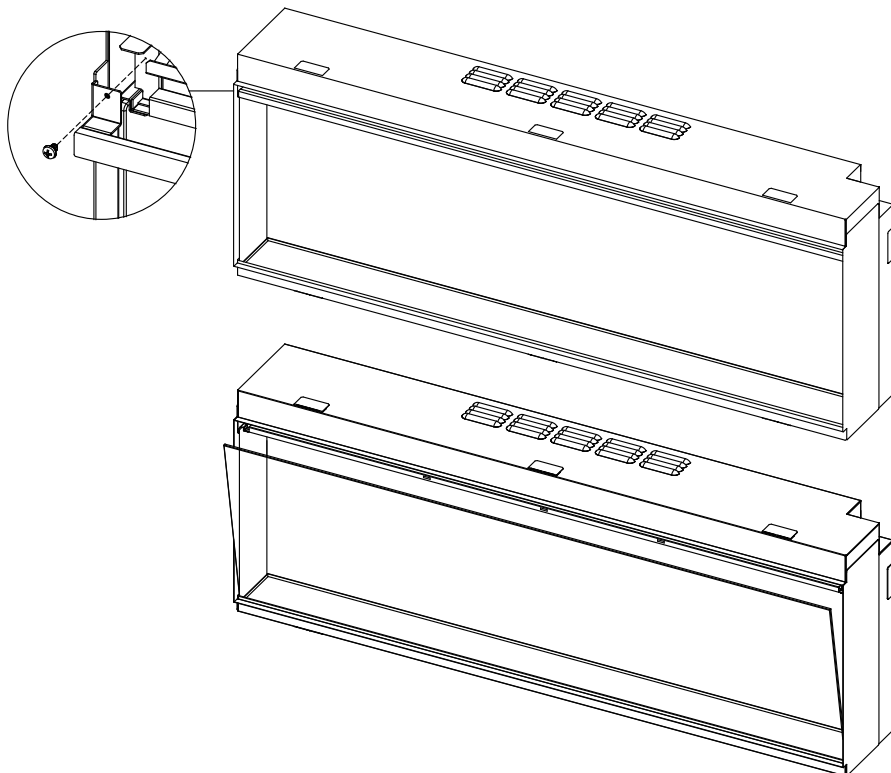


Fix on the wall

Note: For a lesser effect by hot air from the heater, do not fix the sensor in the below area.



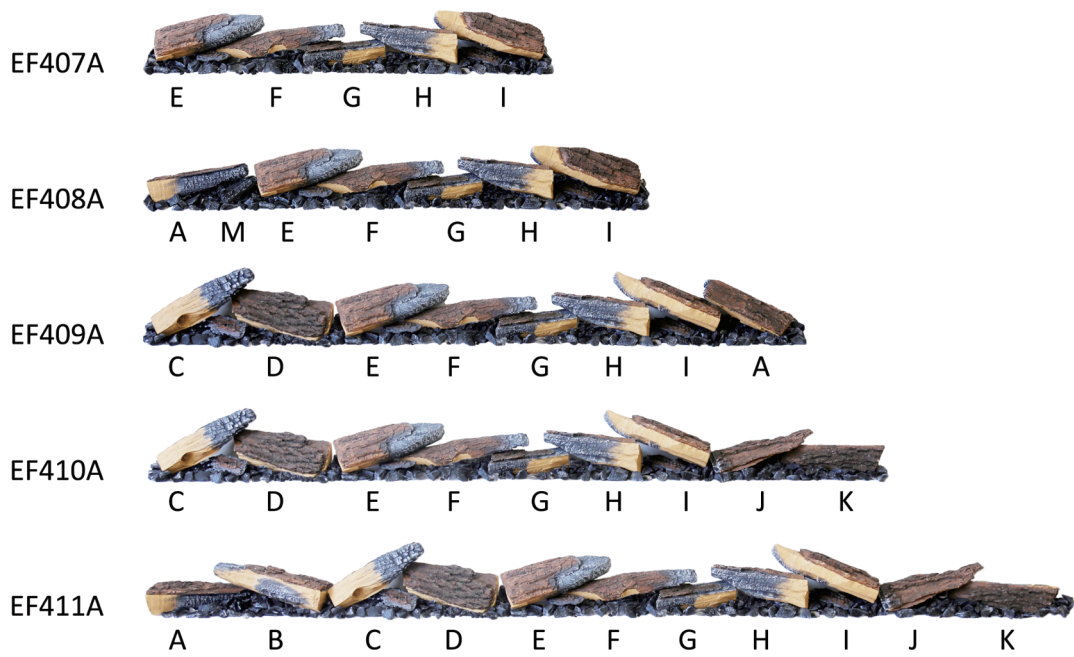
1.11 Remove the front glass.



1.12 Arrange the fuel bed

Unit: mm

	A	B	C	D	E	F	G	H	I	J	K	M	BARK
Log													
Length	225	230	205	200	220	270	165	205	225	225	200	90	85



1.13 Use a brush to clean the vermiculite in the slot, install the front glass back.

OPERATING INSTRUCTION

1. GENERAL

WARNING! Do not operate the appliance if it is damaged or has malfunctioned. If you suspect the appliance is damaged or has malfunctioned, call a qualified service engineer to inspect the appliance, and replace any part of the electrical system if necessary, before re-use.

WARNING! To reduce the risk of fire, keep textiles, curtains, or any other flammable material a minimum distance of 1 meter from the air outlet.

- **MAKE SURE** the plug fits tight in the outlet. Faulty wall outlet connections or loose plugs can cause the outlet to overheat.
- **DO NOT** disconnect the power at the mains supply whilst the appliance is running. Use the functions on the remote to turn the fire off and ensure the mains switch has been moved to the off position before disconnecting.

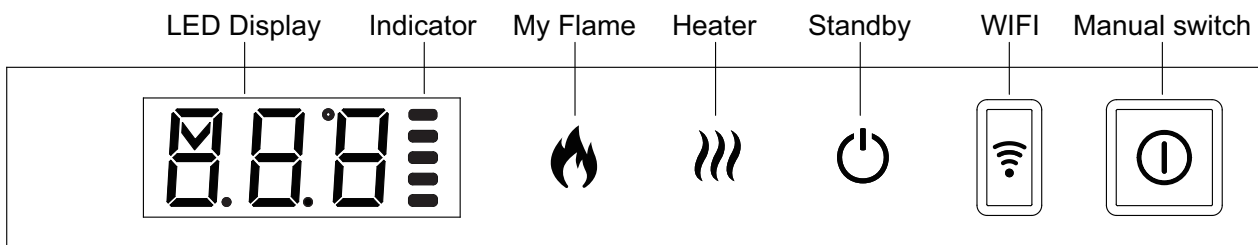
PREPARATION BEFORE USE

- The appliance can be operated conveniently in 3 different ways: manually, via the remote control handset or via the dedicated iOS/Android app.

MAIN POWER SWITCH

- The main power switch is located on the control panel located on the right hand side of the heater box.
- Press Manual Switch before operating either manual control, remote or APP.
- A long beep is heard to indicate the fire is ready for use.

2. MANUAL CONTROL PANEL



NOTE: Keep pressing My Flame button for 3 seconds to turn off the “beep” sound for buttons and remote control.

- **Manual Switch:** Press to turn on or off power to the appliance.
- **STANDBY:** Turns on the appliance with the last used settings without any heat. Place the appliance into standby mode with all features turned off.
- **MY FLAME:** Press to cycle through 9 flame colours and off setting.
- **HEATER:** Press to cycle through low heater, high heater and off setting.
- **WiFi:** Press to turn wifi on or off. An illuminated LED indicates that wifi is turned on. Hold the button for 3 seconds to enter device pairing mode.

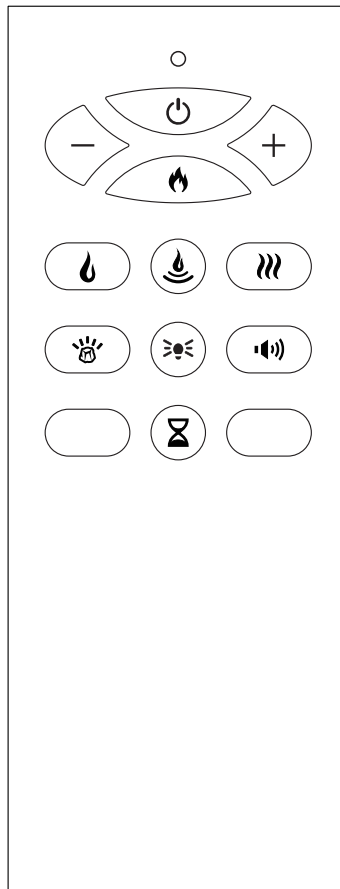
NOTE:

- The manual button controls basic functions, not a full range of controls. Use the remote handset to carry out all functions.
- The controls on appliance will lose the memory for all function settings when the switch is set to the Off Position.
- In order to prevent the product becoming too hot, there is a 10s delay when turning on the heater and a 10s delay when turning off the heater fan.








3. REMOTE CONTROL

NOTE:

- Ensure that the handset batteries are new and inserted correctly.
- Aim the remote control at the remote receiver which is behind the right side of the flame screen.



BUTTON	TITLE	FUNCTION
	STANDBY	Turns on the appliance with the last used settings without any heat. Place the appliance into standby mode with all features turned off.
	MY FLAME	Press to cycle through 9 default flames and off.
	FLAME A	Press to turn on/off the flame A.

	FLAME B	Press to cycle through flame B 1, 2, ..., 9 and off.
	FUEL BED	Press to cycle through fuel bed 1, 2, ... 9 and off.
	Minus & Plus	Press to adjust the brightness, volume, and time after pressing the FLAME A/FLAME B/FUEL BED/ MOOD LIGHT/CRACKLE CHOICE/TIMER button once; Press directly to set the temperature; Press + for 3s to change the temperature unit between °C and °F.
	HEATER	Press to cycle through Low-High-Off Note: if the thermostat is on and room temp is higher than temperature set, the heater will not work.
	TIMER	Press to cycle through 0.5H, 1H, 2H, 3H, 4H, 5H, 6H, 7H, 8H, 9H, 10H and off.
	MOOD LIGHT	Press to cycle through mood light 1, 2, ... 14, off.
	CRACKLE CHOICE	Press to cycle through crackling 1, 2 and off.

IMPORTANT SAFETY INFORMATION FOR BATTERY

1. Two AAA battery are required for the remote control;
2. Use the thumb press and push the bar figure on the back cover down simultaneously, then take out the cover and remove the battery or insert the battery, after this place the cover back on the rear of the remote;
3. This AAA battery (non-recharged) is not to be recharged;
4. Different types of batteries or new and used batteries are not to be mixed;
5. Battery is to be inserted with the correct polarity;
6. Exhausted batteries are to be removed from the appliance and safely disposed of;
7. If the remote control is to be stored unused for a long period, the battery should be removed;
8. The supply terminals are not to be short-circuited.

RESETTING THE THERMAL CUT OUT

The appliance is fitted with an Electronic Safety Control (E.S.). This is a safety device, which switches off the fire if, for any reason, the appliance overheats, e.g. when covered. If the heater stops operating while the flame effect continues working normally, this indicates that the E.S. Control is in operation. The E.S. Control can only be re-set after the appliance has cooled down, and the appliance has been reset. Resetting of the E.S. Control proceeds is as follows:

1. Switch off the appliance (Manual switch) and leave it off for approximately 10-15 minutes.
2. Remove any obstruction to the fan heater outlet or fan blades etc. Make sure that the power supply is disconnected with the plug socket outlet while doing this.
3. Switch on the appliance and the E.S. Control will be reset.
4. Ensure that the appliance is functioning correctly. If the E.S. Control operates again, the appliance should be checked by a competent electrician.

WINDOW OPEN DETECTION

When the sensor detects a rapid drop in room temperature, it will be identified as a window open, the warning icon 'OPn' will be displayed and the heating will be turned off automatically.

After the indoor temperature has risen or a manual override of the warning (by operating touch control panel or remote control or heat button on APP) has been done, the fire will return to normal working state.

4. APP CONTROL

Visit your APP store (IOS or Android) to download the TUYA SMART APP. Follow the onscreen instructions to create an account. Once installed, follow the procedure below to pair the device with your appliance.

- Start the APP and click "Add Device" on screen. Select "Small Home Appliance" from the list, then select "Electric Fireplace (Wi-Fi)".
- Ensure the appliance is powered on, then press and hold the Wi-Fi button on the appliance until you hear 3 beeps at EZ mode. At the same time the Wi-Fi button and the fuel bed will blink. If failed at EZ mode, try AP mode. Please press the Wi-Fi button, you will hear 3 beeps, then keep pressing until you hear other 5 beeps enter AP mode.
- Follow the instructions on the APP to input your home network details. Note, your device must also be connected to the same home network what you wish to connect the appliance to.
- Complete setup and link the fireplace to your account

WARNING! Before any maintenance or cleaning of the exterior of the fireplace, the unit should be disconnected from the power supply until it has cooled.

MAINTENANCE

REMOTE HANDSET BATTERY REPLACEMENT

Replace with two AAA battery. Make sure the batteries are installed correctly in the remote control.

MAINTENANCE OF MOTORS

The motors used on the fan and flame effect are pre-lubricated for extended bearing life and require no further lubrication. However, periodic cleaning/vacuuming of the fan/heater unit is recommended.

CLEANING THE FIREPLACE

You can clean the exterior of the fireplace with a soft, damp, lint-free cloth. DO NOT use cleaning or polishing products. To remove fingerprints or other marks on the front glass panel, use a soft, damp, lint-free cloth with a good quality household glass cleaner. The front glass panel should always be completely dried with a clean, lint-free cloth or paper towel.

WARNING! Abrasive cleaners should not be used on the glass panel. Liquids should not be sprayed directly onto any surface of the unit.