
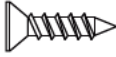

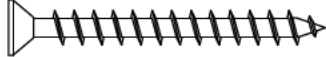

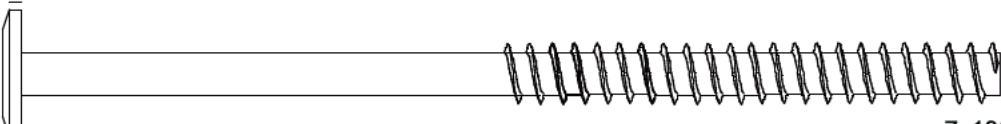
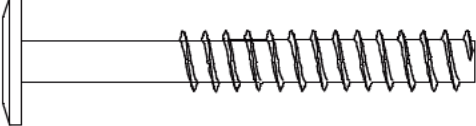



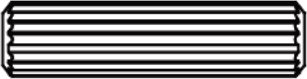
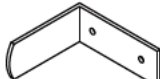





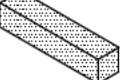


SCREWS ARE SHOWN IN ACTUAL SIZE

Qty. Extra

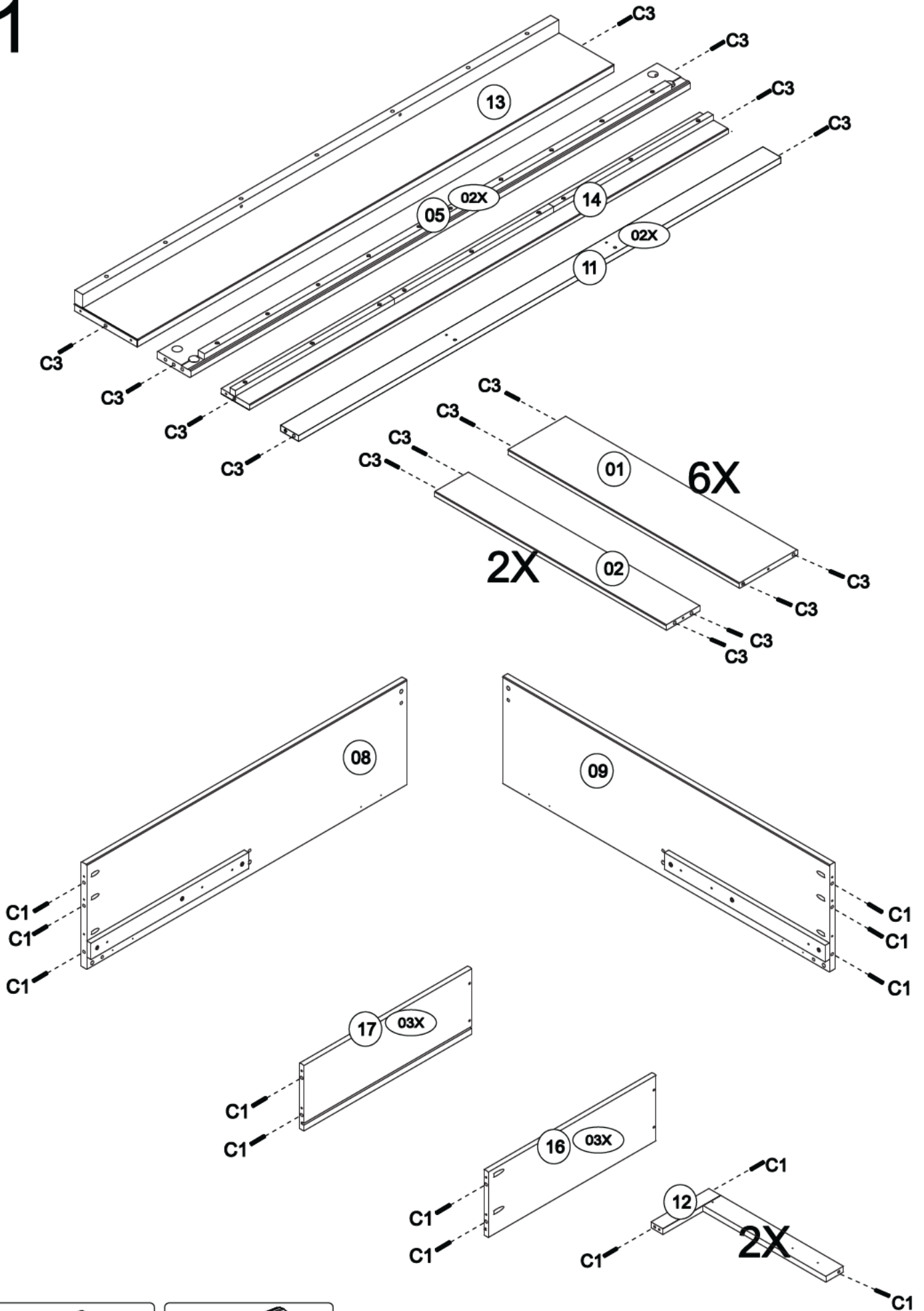
A1		4x30	82	+2
A5		3,5x16	20	+2
A26		M4 x 25	03	
A16		4 x 40	04	
B5		1/4"	08	+2
B11		7x130	12	
B17		7 x 60	12	+2
B26		1/4" x 80	08	+2
B31		6,0x10	36	+2
C1		8x30	24	
C3			44	+2
D23			02	
E8			04	
E10			03	
E11			03	
G8			01	
H3			03	
J			02	

SLAT SPACER

WARNING:
CHOKING HAZARD - - Small Parts

Not for Children.
To be Assembled by an Adult.

1

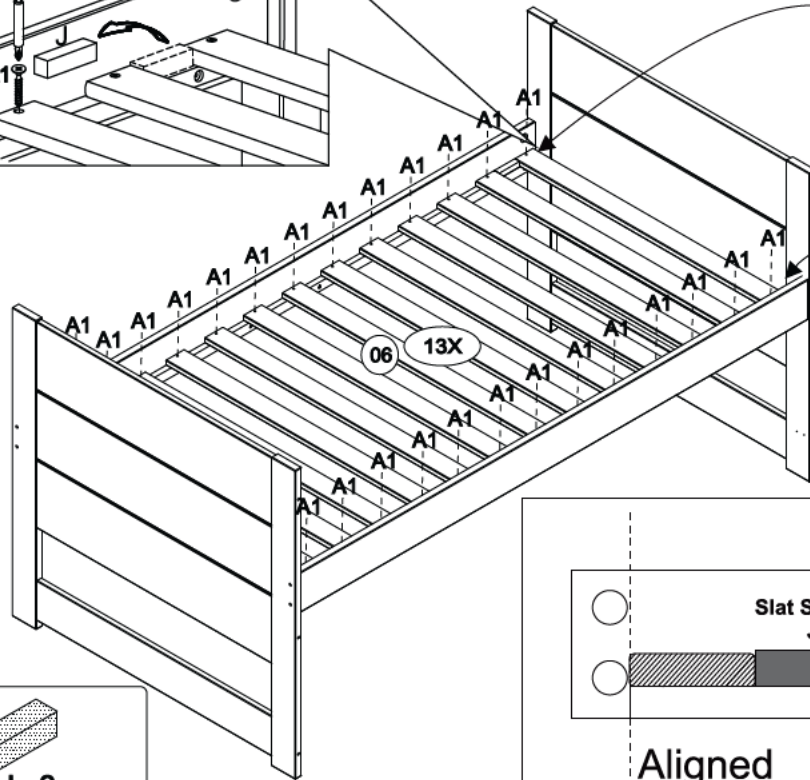
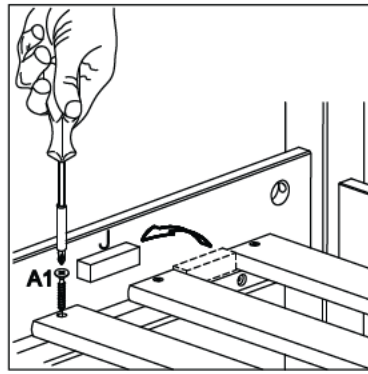


C1 - 24x

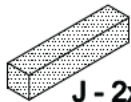


C3 - 44x

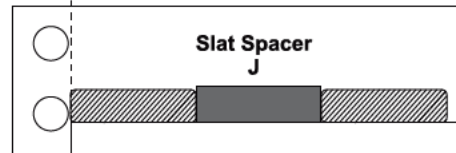
4



A1- 26x

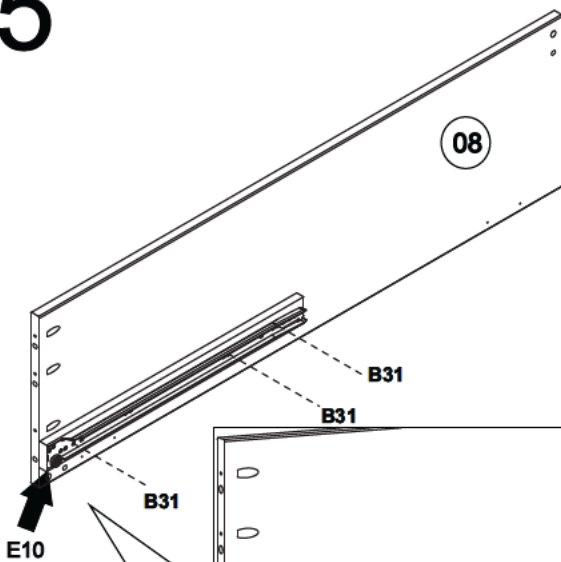


J - 2x

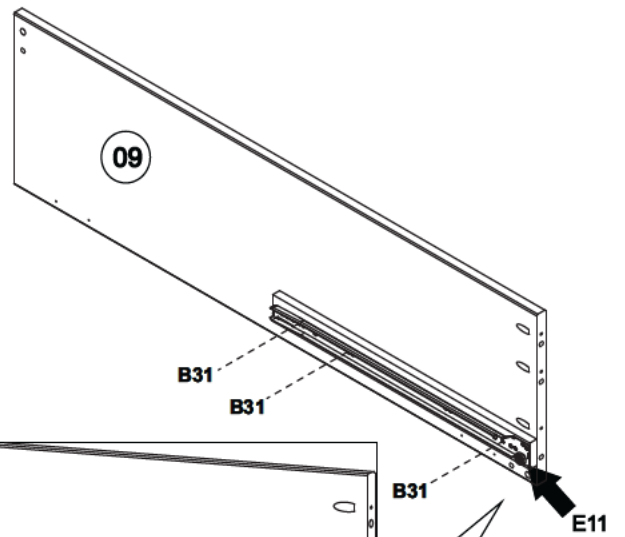


Aligned

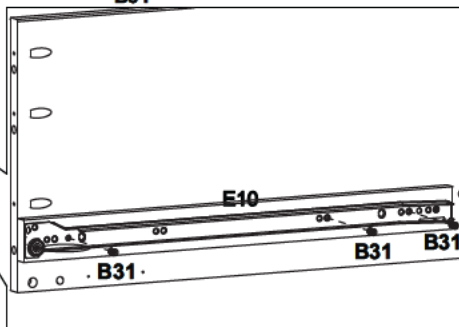
5



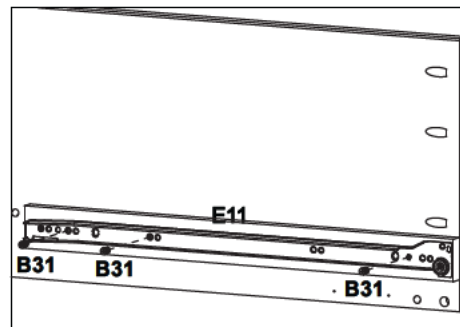
E10



E11



E10



E11



E11- 01x

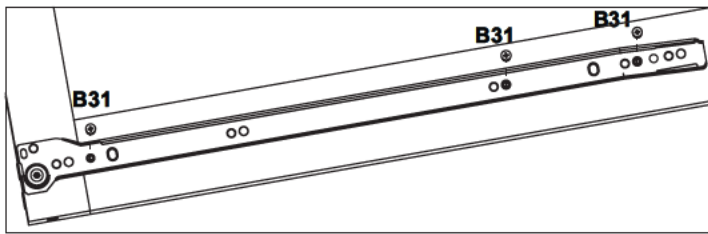


E10 - 01x

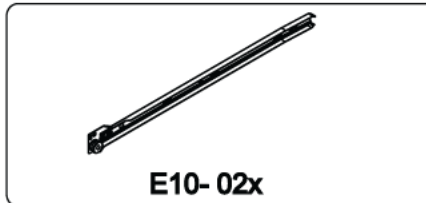
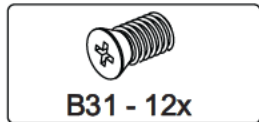
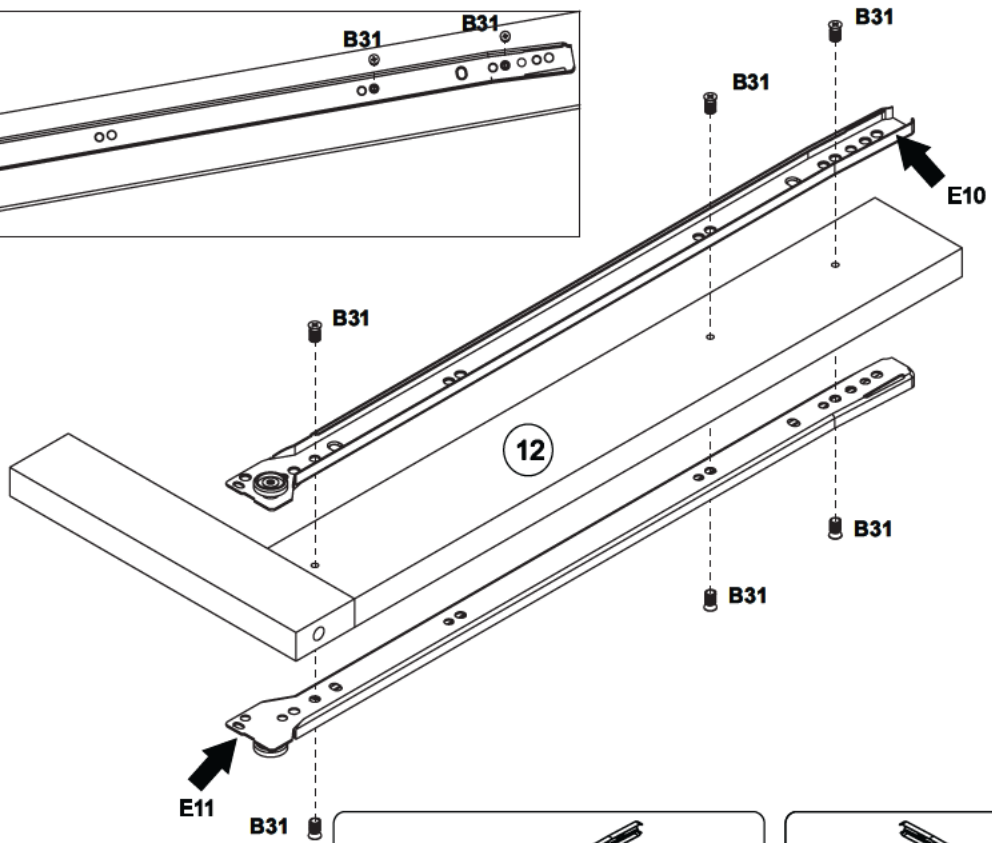


B31 - 06x

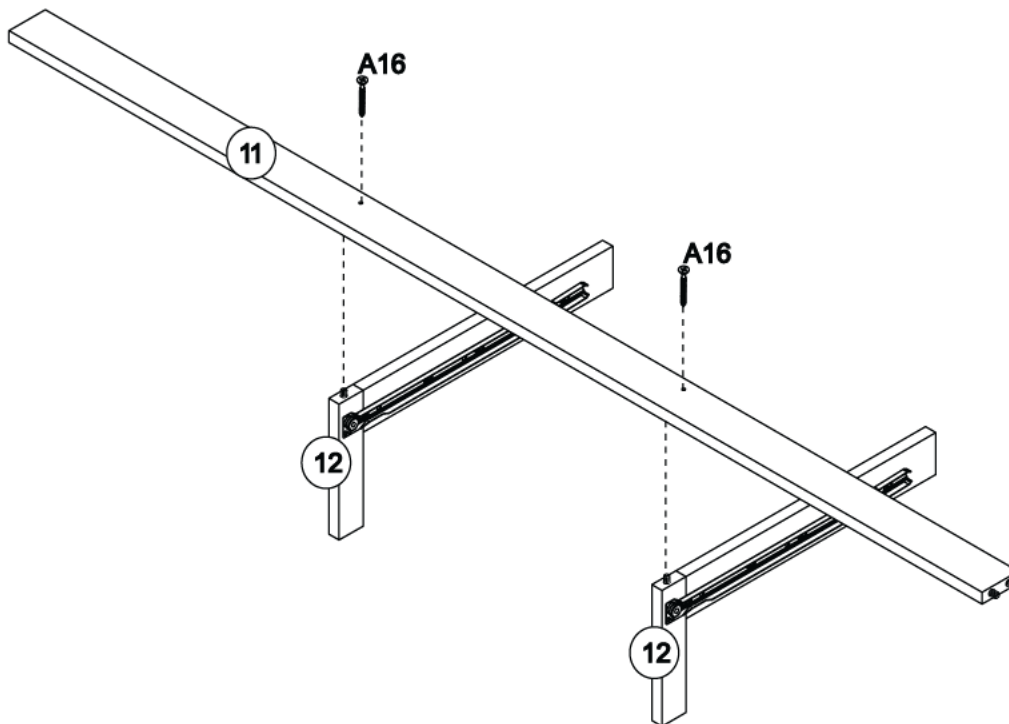
6



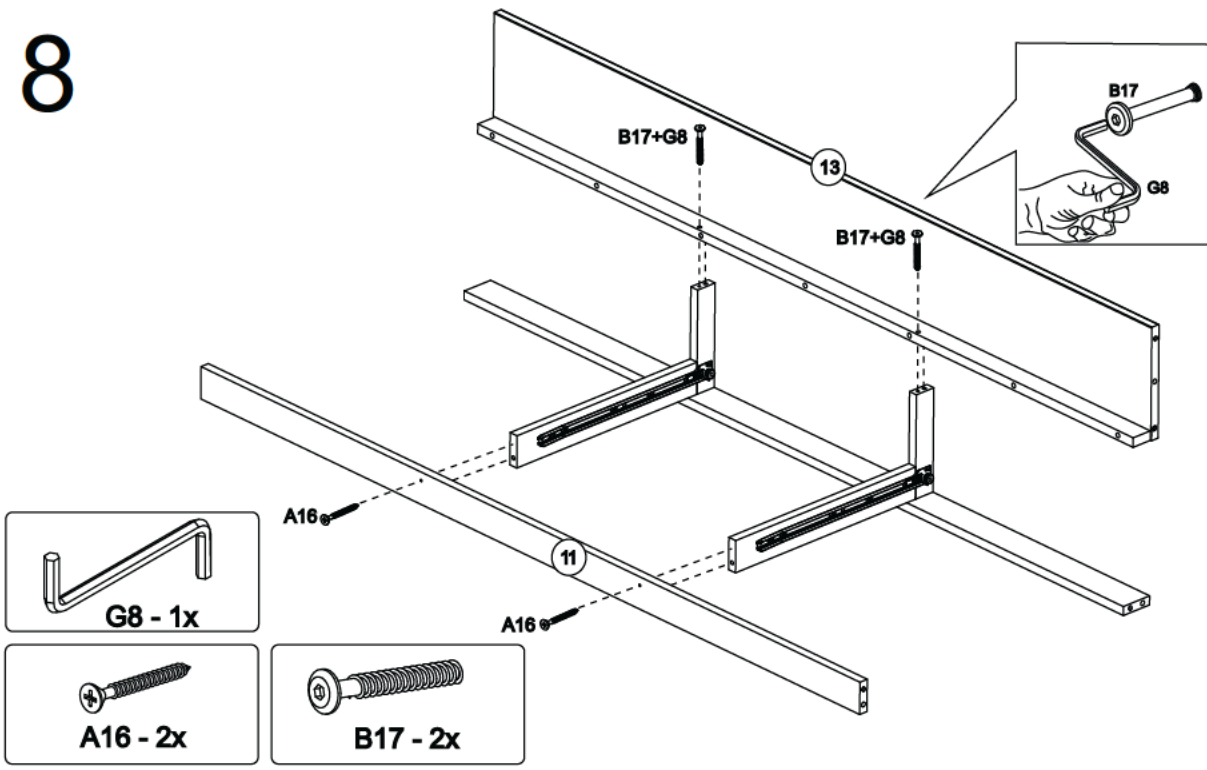
2X



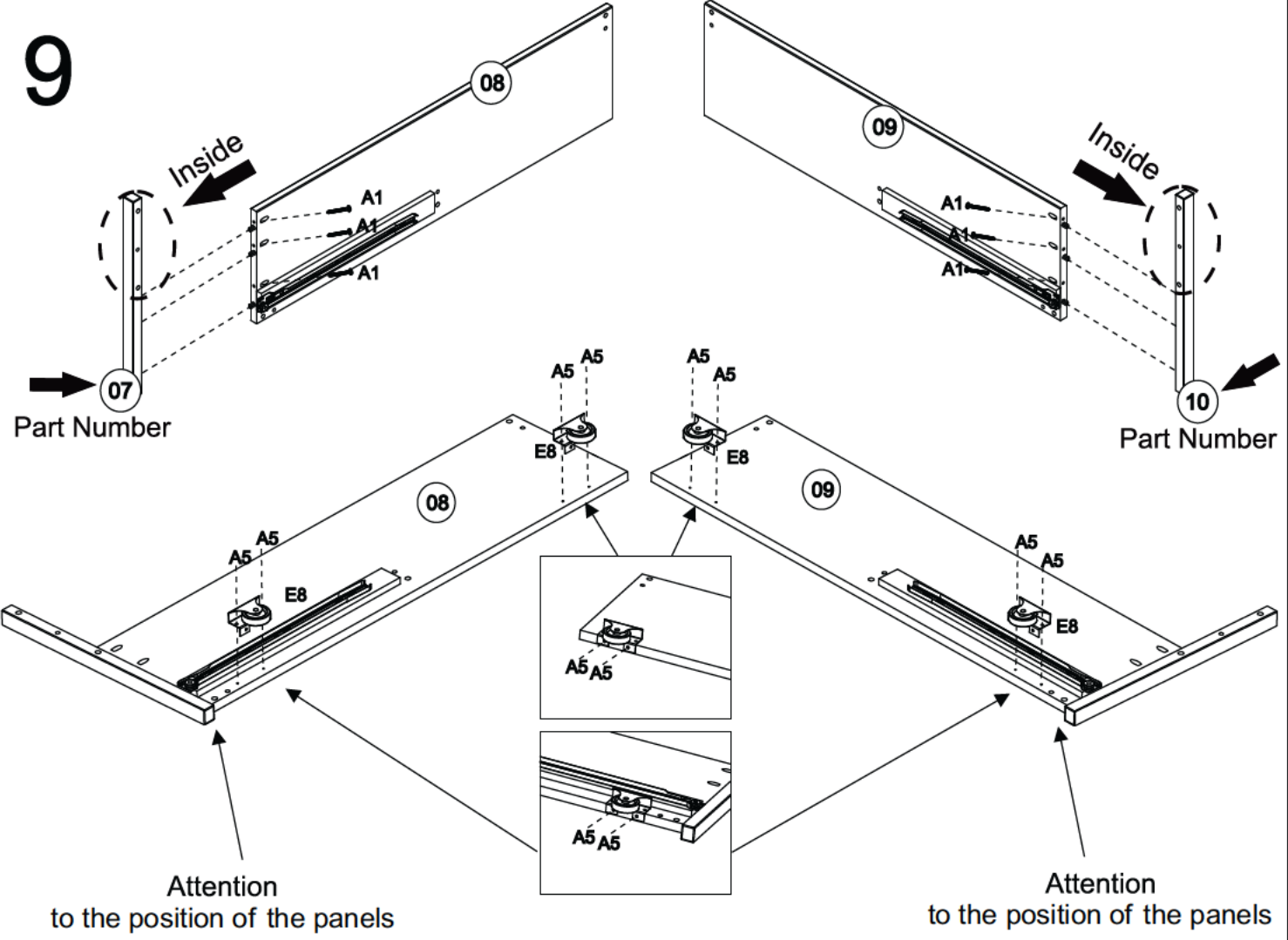
7



8

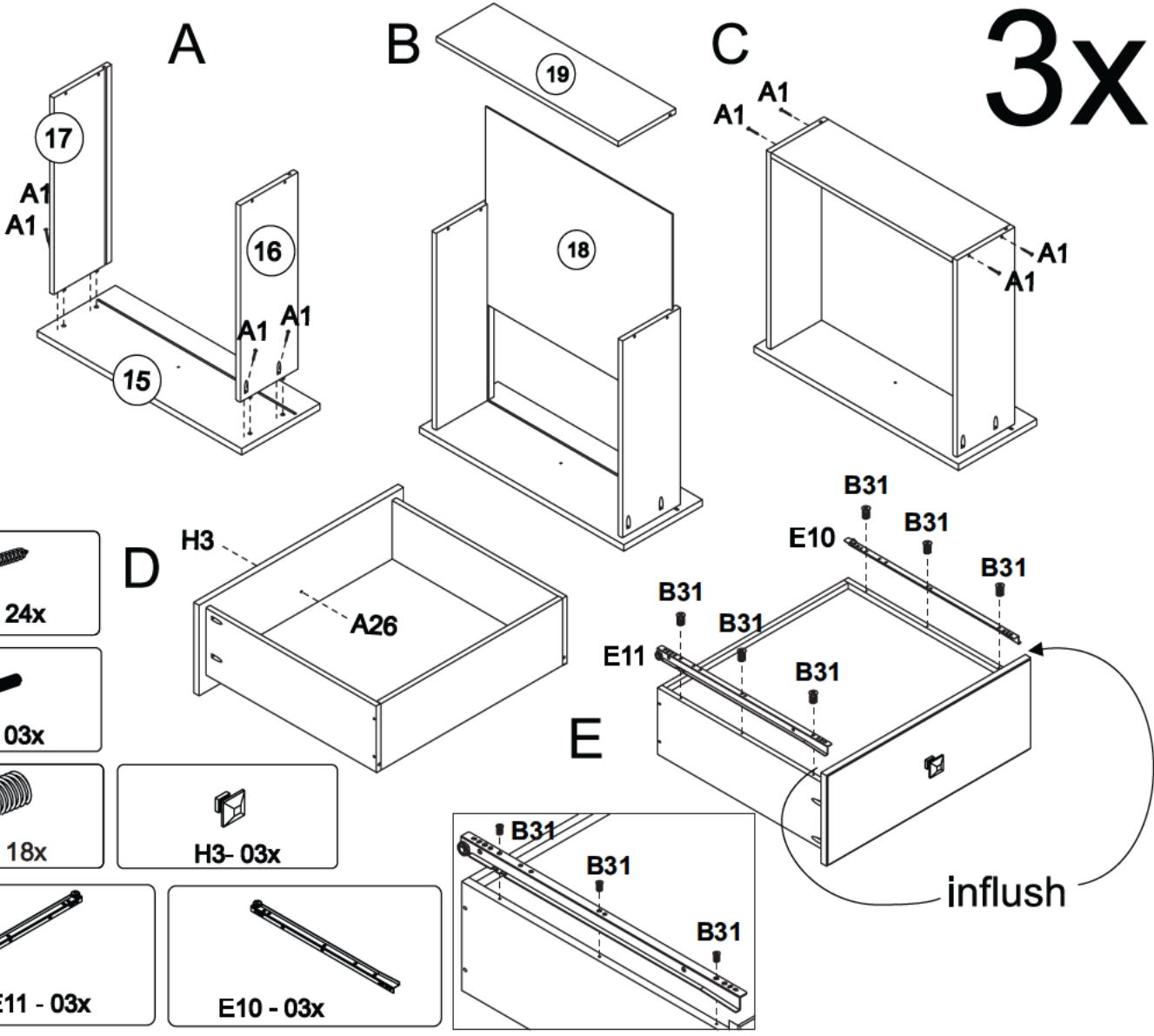


9

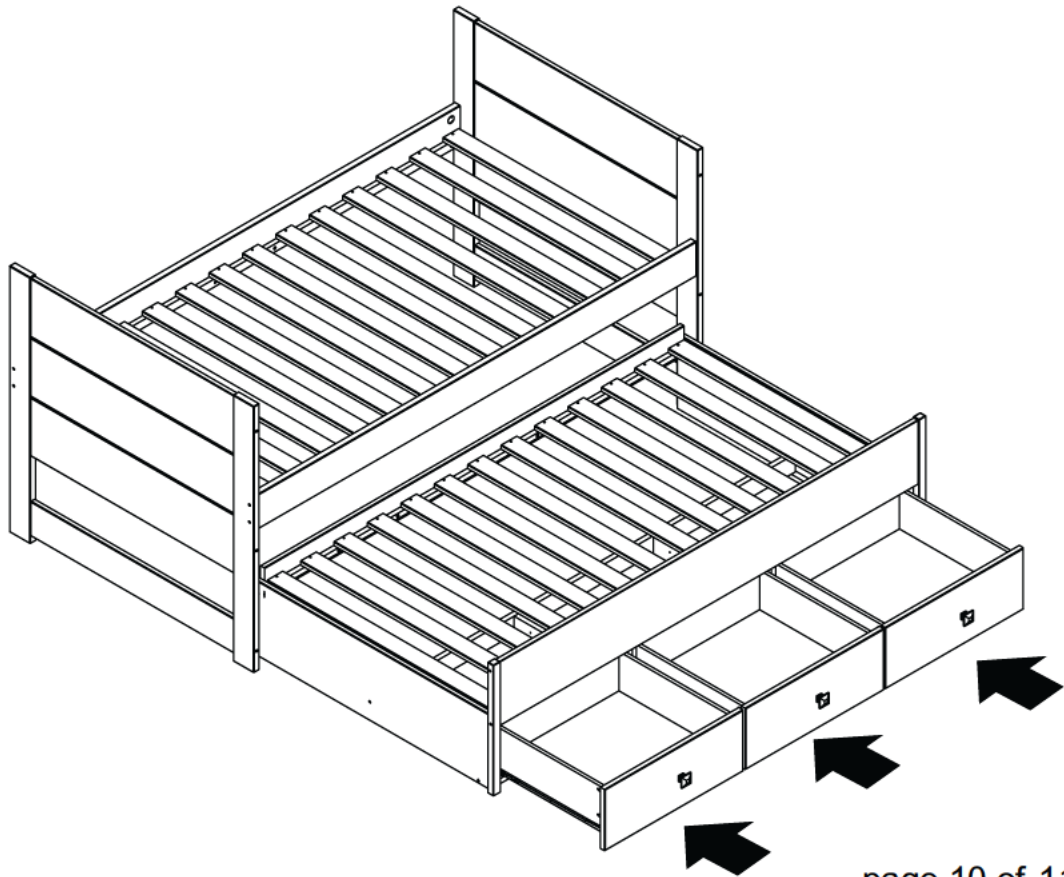


-  A1 - 6x
-  E8 - 4x
-  A5 - 16x

12



13



BEDDING SPECIFICATION

- Always use the recommended size mattress or mattress support or both, to help prevent the likelihood of entrapment or falls.
- All Bedz King beds are supplied with a complete slat kit, so there is no need for a foundation or bunkie board.

BED MATTRESS SPECIFICATIONS

Twin Bed

Only use a mattress that is 74" - 75" long and 37 1/2" - 38 1/2" wide.

ASSEMBLY TIPS

- Power tools are not recommended for assembling your furniture.
- Give yourself plenty of room to work.
- It must be assembled within the space it will occupy.
- The assembly will require at least two people to complete.
- Make sure all the fasteners are tight.
- Take your time and read the instructions carefully.