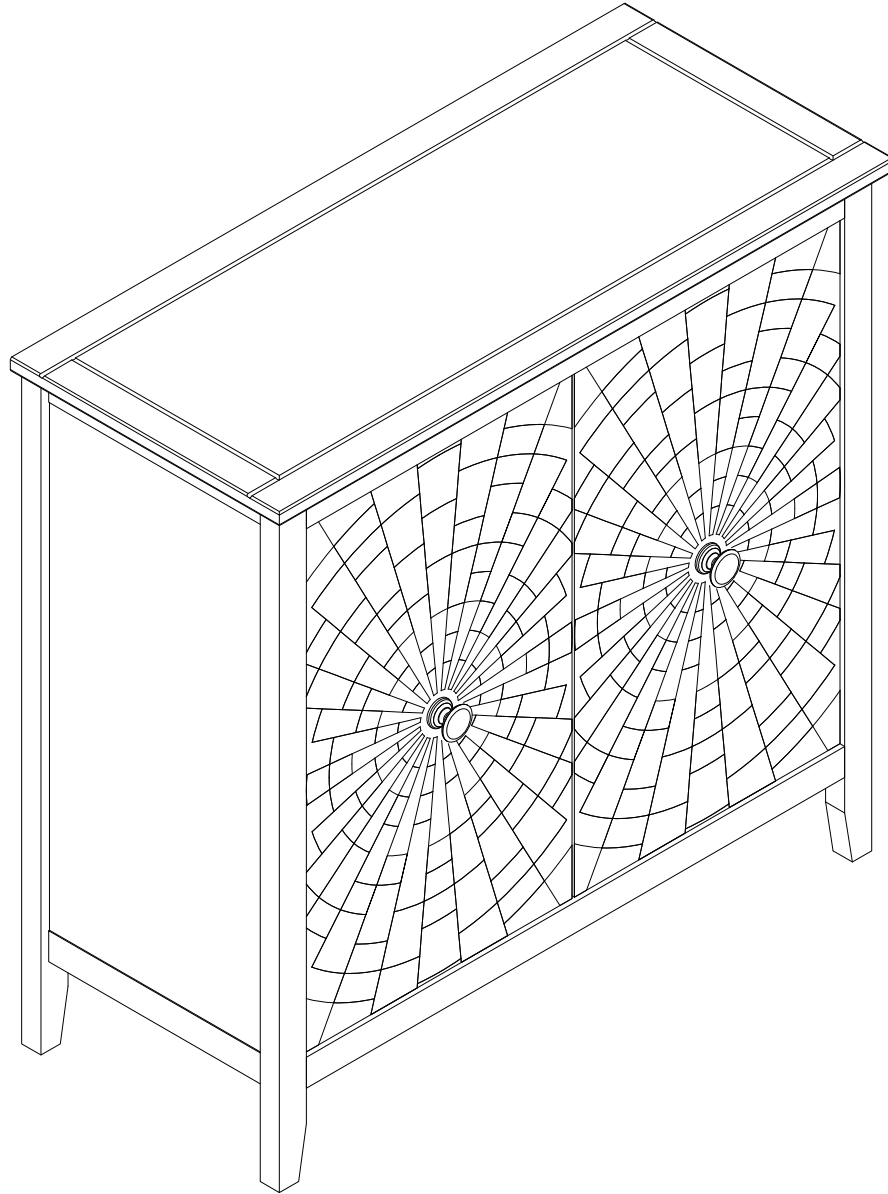


Installation Instruction



Product name

2 Door Cabinet

Do not use power tools to assemble your furniture. Power tools may strip or damage the parts.



Ver.1.0 20250817

Friendly Reminder:

Assembling with damaged panels may affect after-sales service. Please check the integrity of all panels before assembly. If any damage is found:

Take photos of the damaged area from multiple angles (preferably under natural light)

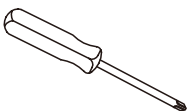
Keep all packaging materials

Do not assemble the product and contact online customer service immediately

Assembling

What you need

- Use the packaging carton as a working surface to prevent product damage during assembly
- Phillips head screwdriver



Weight Limitation



30

lbs per shelf



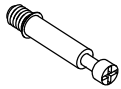
2 PERSONS

What's included

Code	Description	Qty
A	Cam Bolt M6X35MM	4
B	Cam Lock 15X10MM	4
C	Bolt M8X30MM	8
D	Foot Pads	4
E	Plastic corner support	8
F	Screw M3X16MM	8
G	Shelf support	4
H	Nylon Strap	2
I	Screw M4X14MM	2
J	Metal Washer	4
K	Anchor M6X30MM	2
L	Screw M4X35MM	2
M	Hinge	4
N	Screw M4X14MM	24
O	Allen Key	1
P	Handle	2
Q	Handle screw M4X10MM	2
R	Bumper pad M12X8MM	2

The Hardwares

Ⓐ



Ⓑ



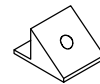
Ⓒ



Ⓓ



Ⓔ



Ⓕ



Ⓖ



Ⓗ



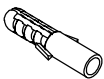
Ⓘ



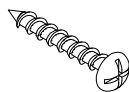
Ⓙ



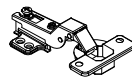
Ⓚ



Ⓛ



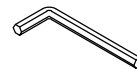
Ⓜ



Ⓝ



Ⓞ



Ⓟ



Ⓠ



Ⓡ



IMPORTANT:

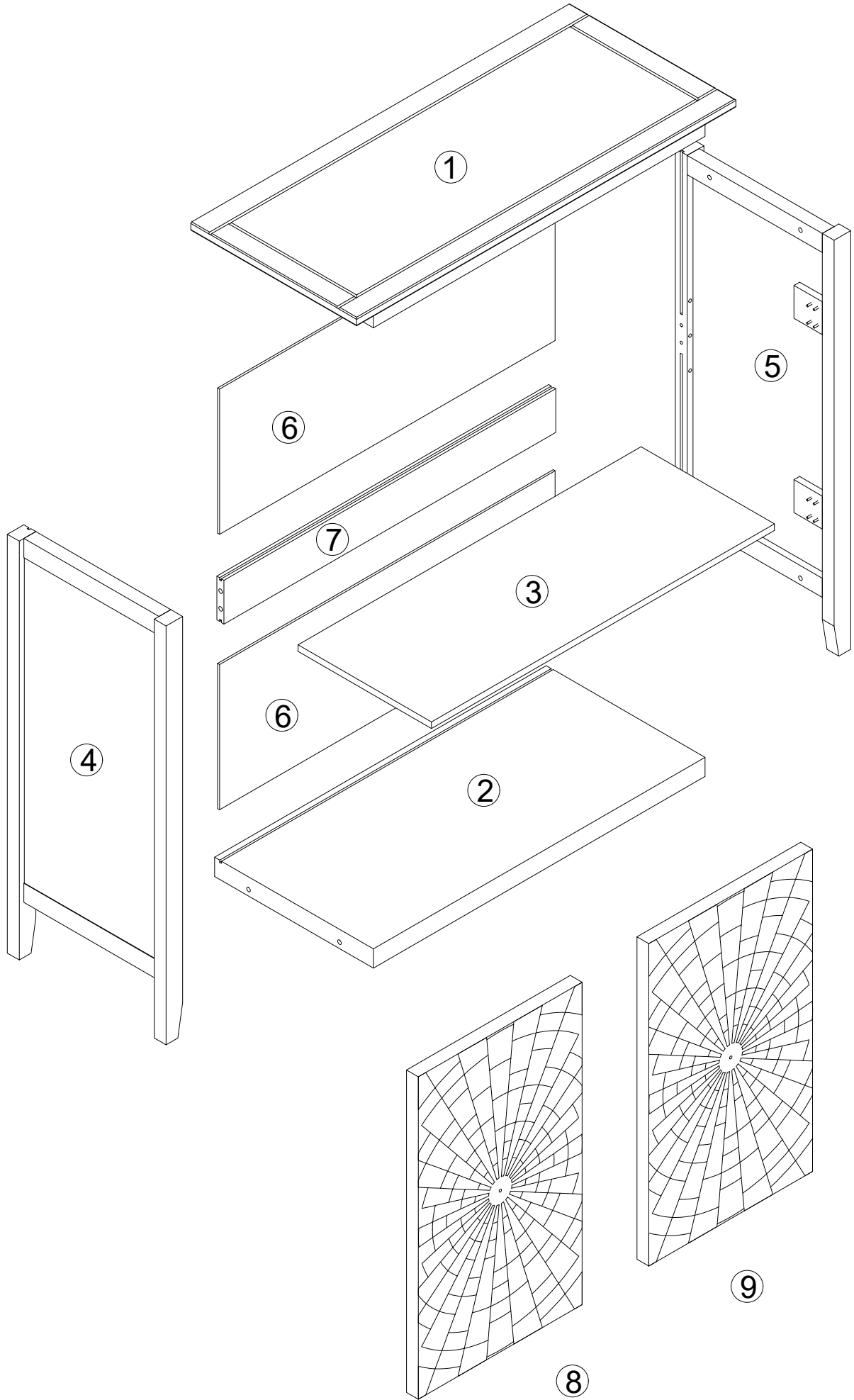
1. Do not tighten bolts / screws completely until all bolts / screws are lined up and inserted into holes.
2. Do not over tighten screws and bolts to avoid stripping.
3. Please use hand tools to assemble this product. Do not use power tools.
4. Must need 2 people to assemble this product.



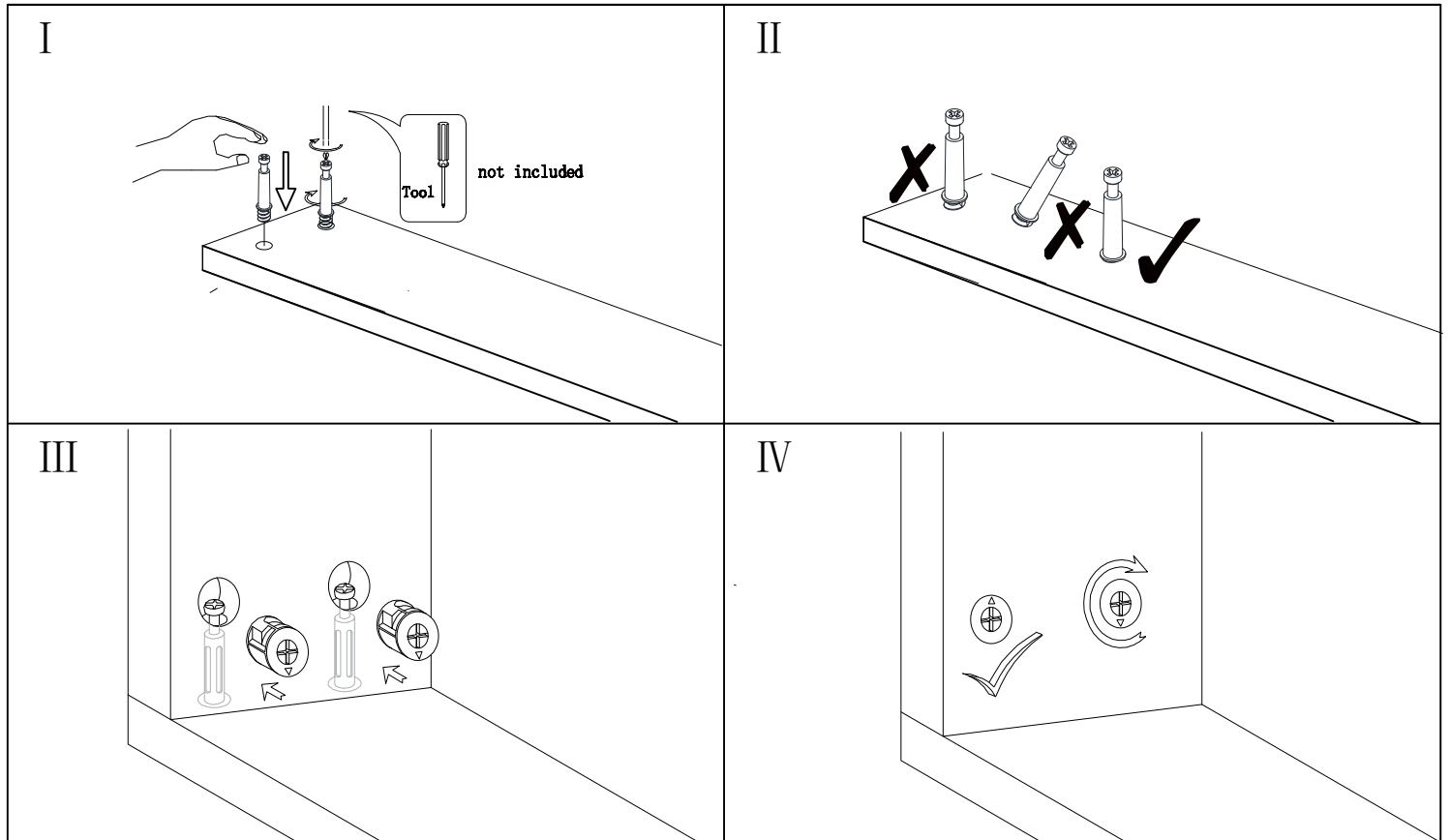
2 PERSONS

Included Accessories

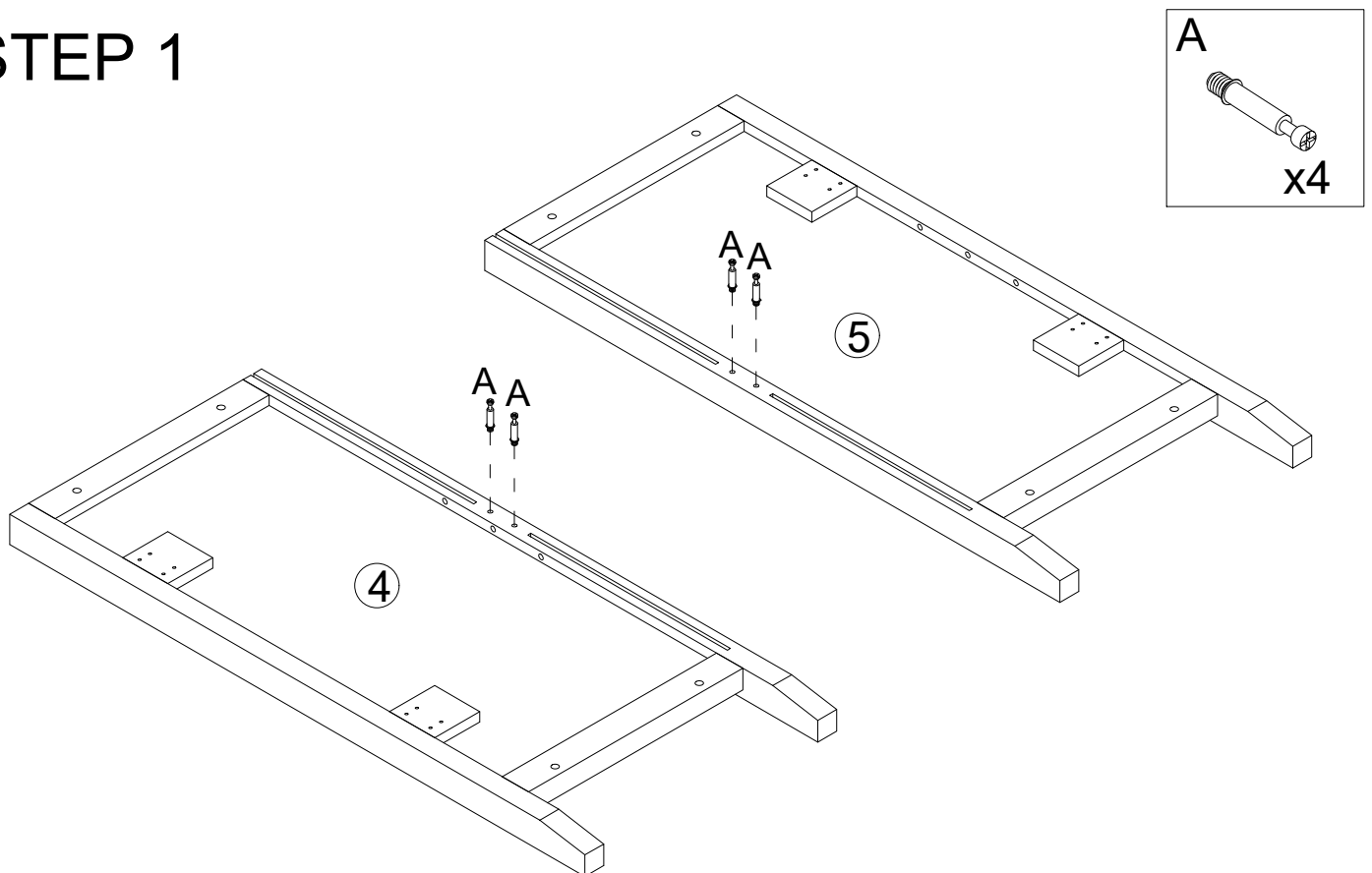
Code	Description	Qty
1	Roof	1
2	Baseplate	1
3	Middle Shelf	1
4	Left Side Panel	1
5	Right Side Panel	1
6	Back panel	2
7	Rear pull strip	1
8	Door	1
9	Door	1



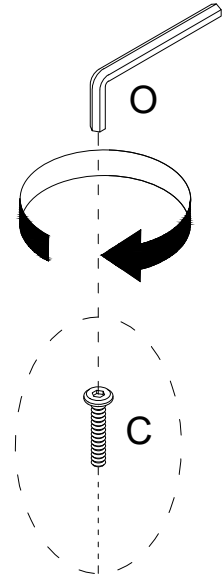
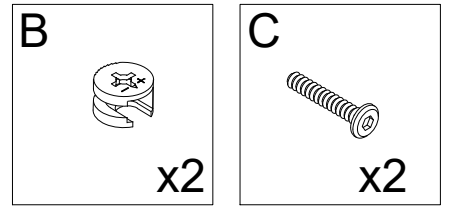
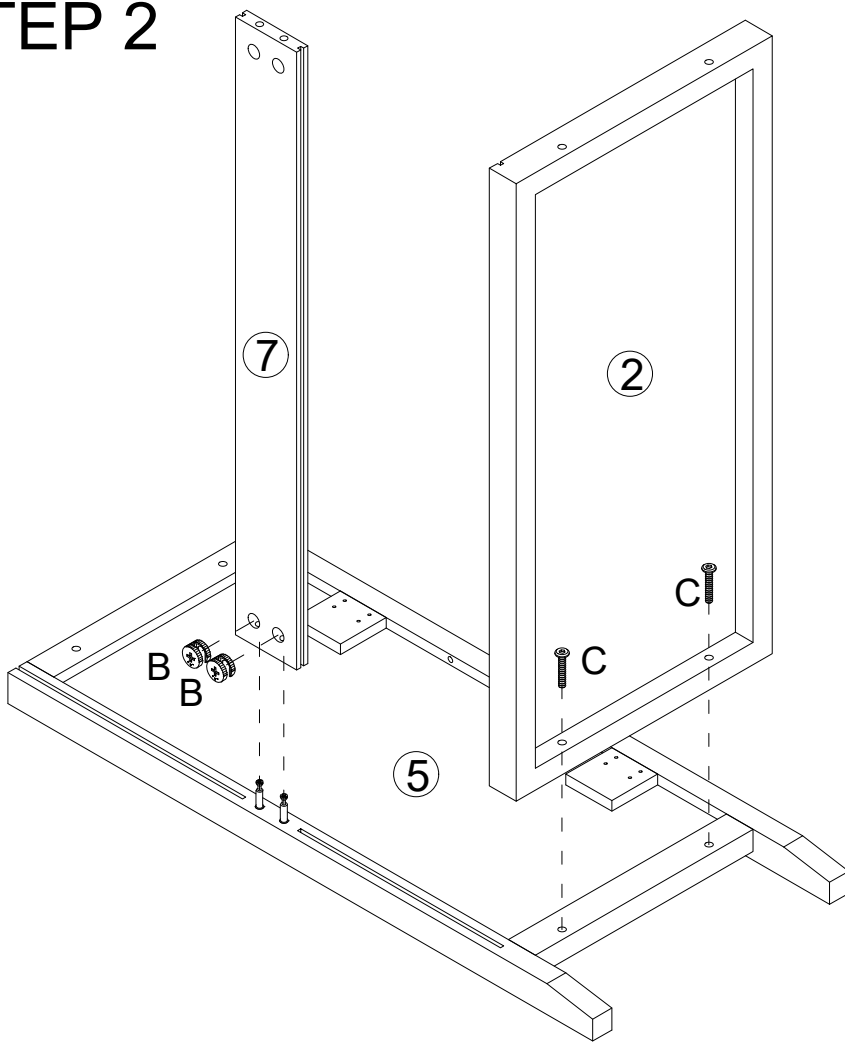
Noted :



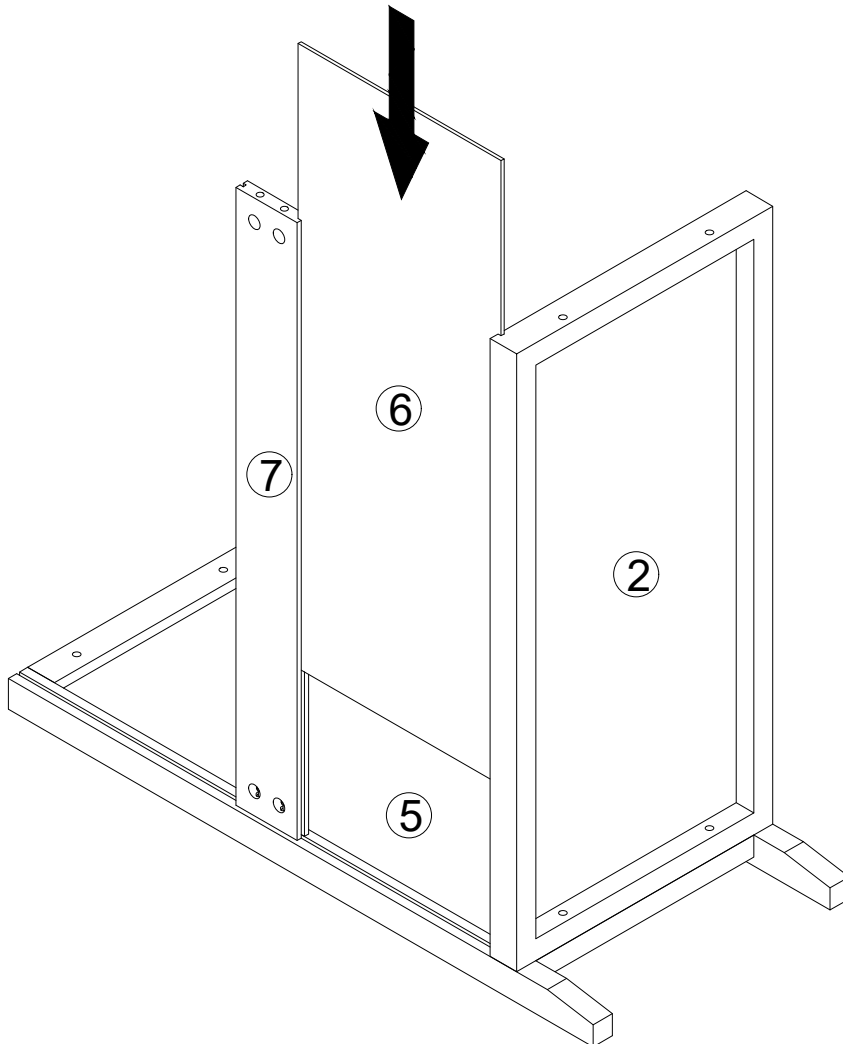
STEP 1



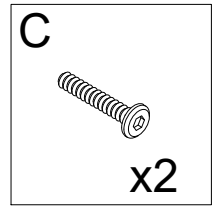
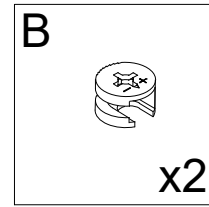
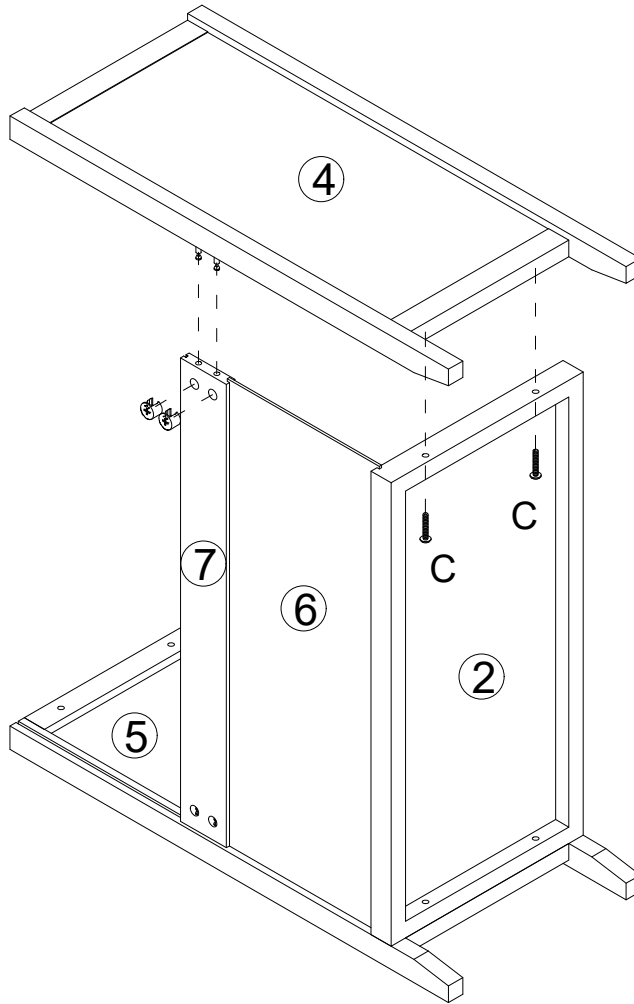
STEP 2



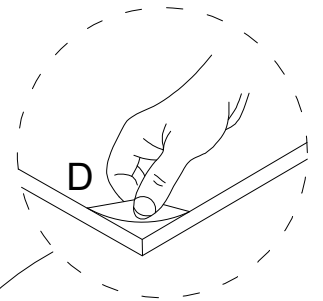
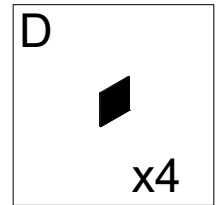
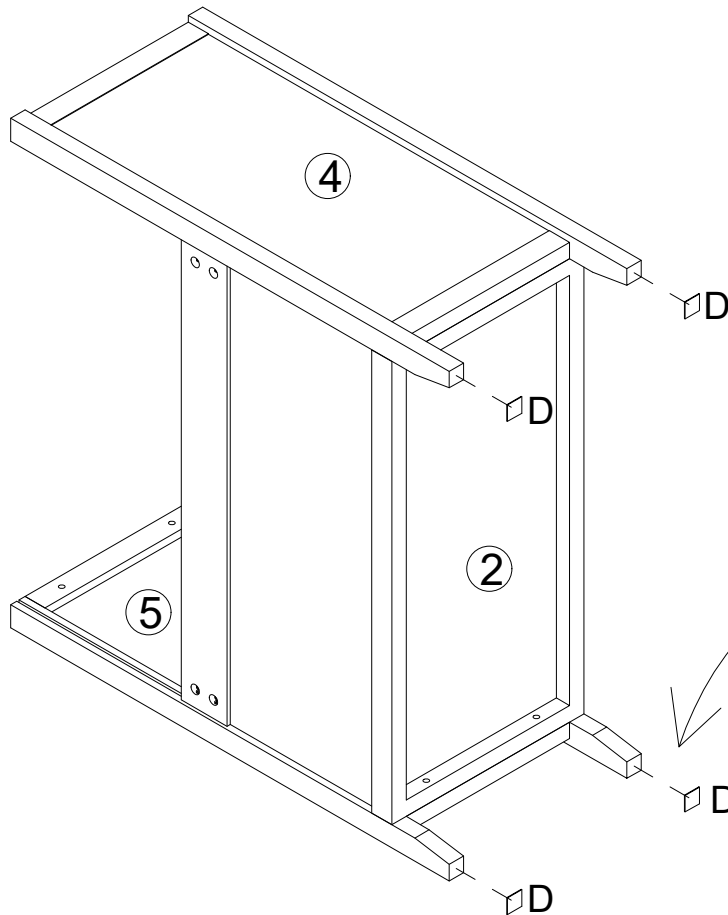
STEP 3



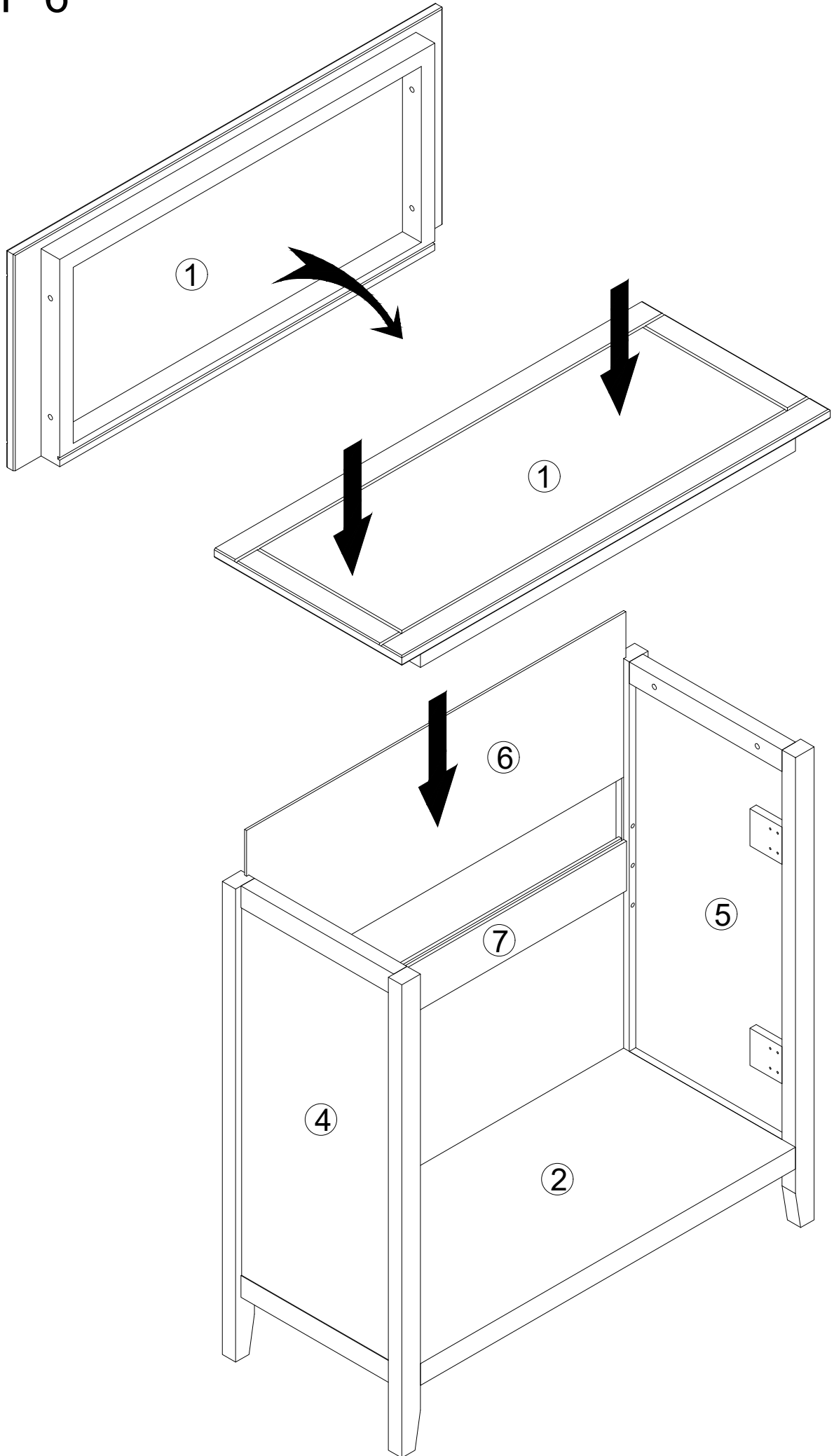
STEP 4



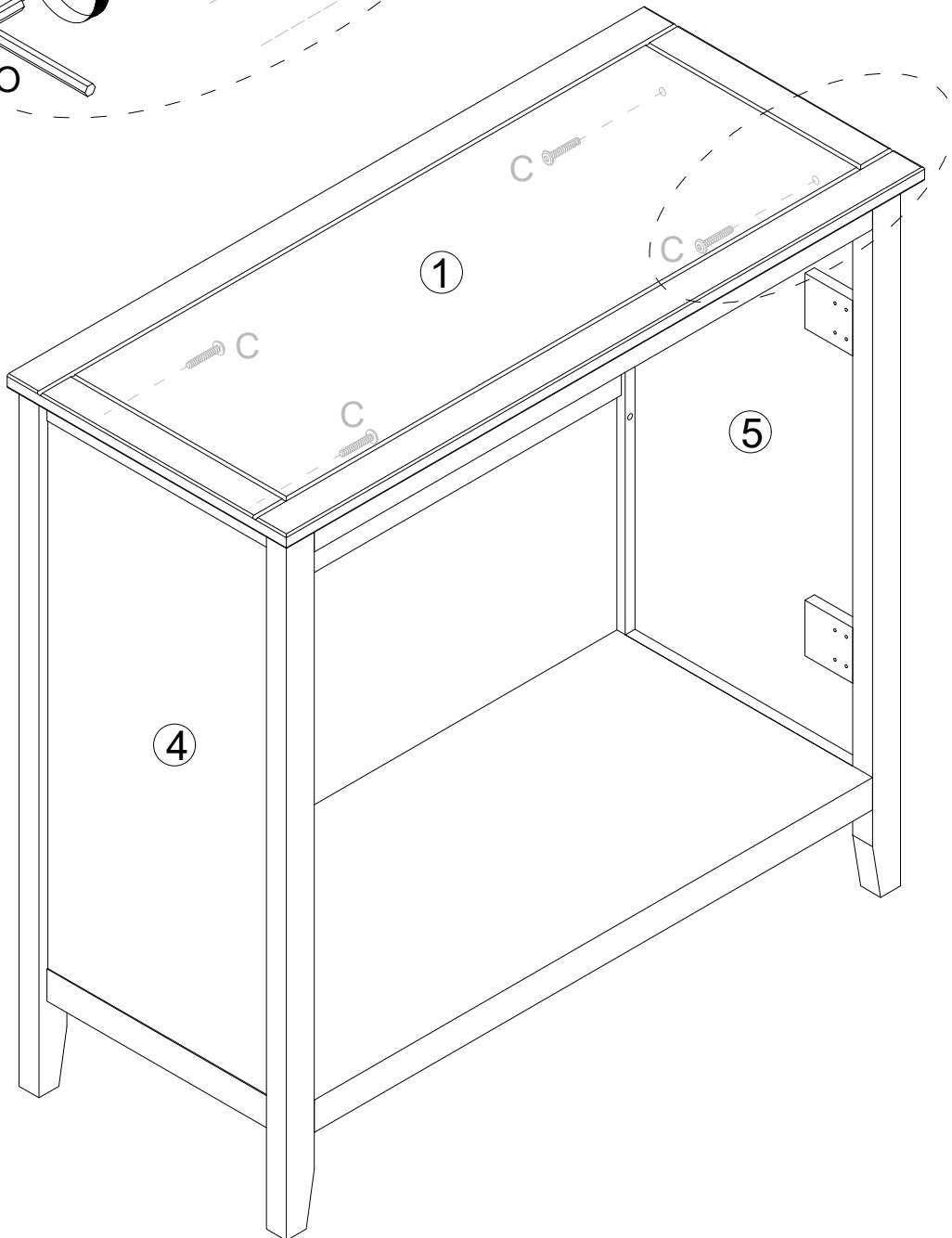
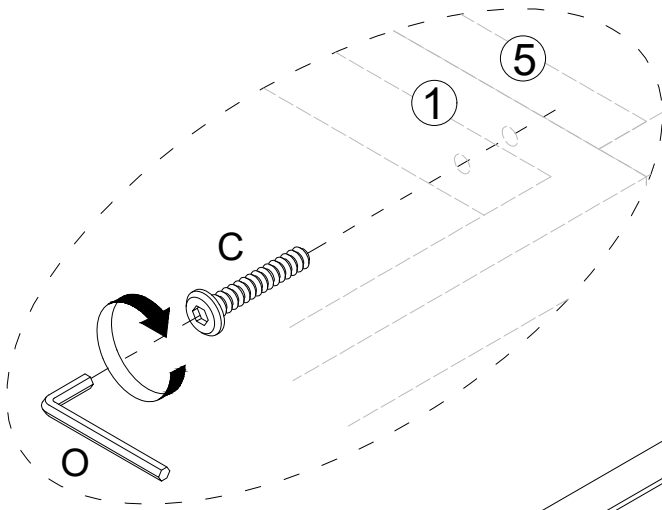
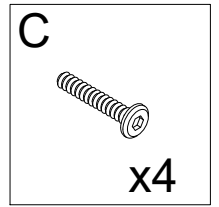
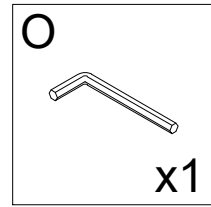
STEP 5



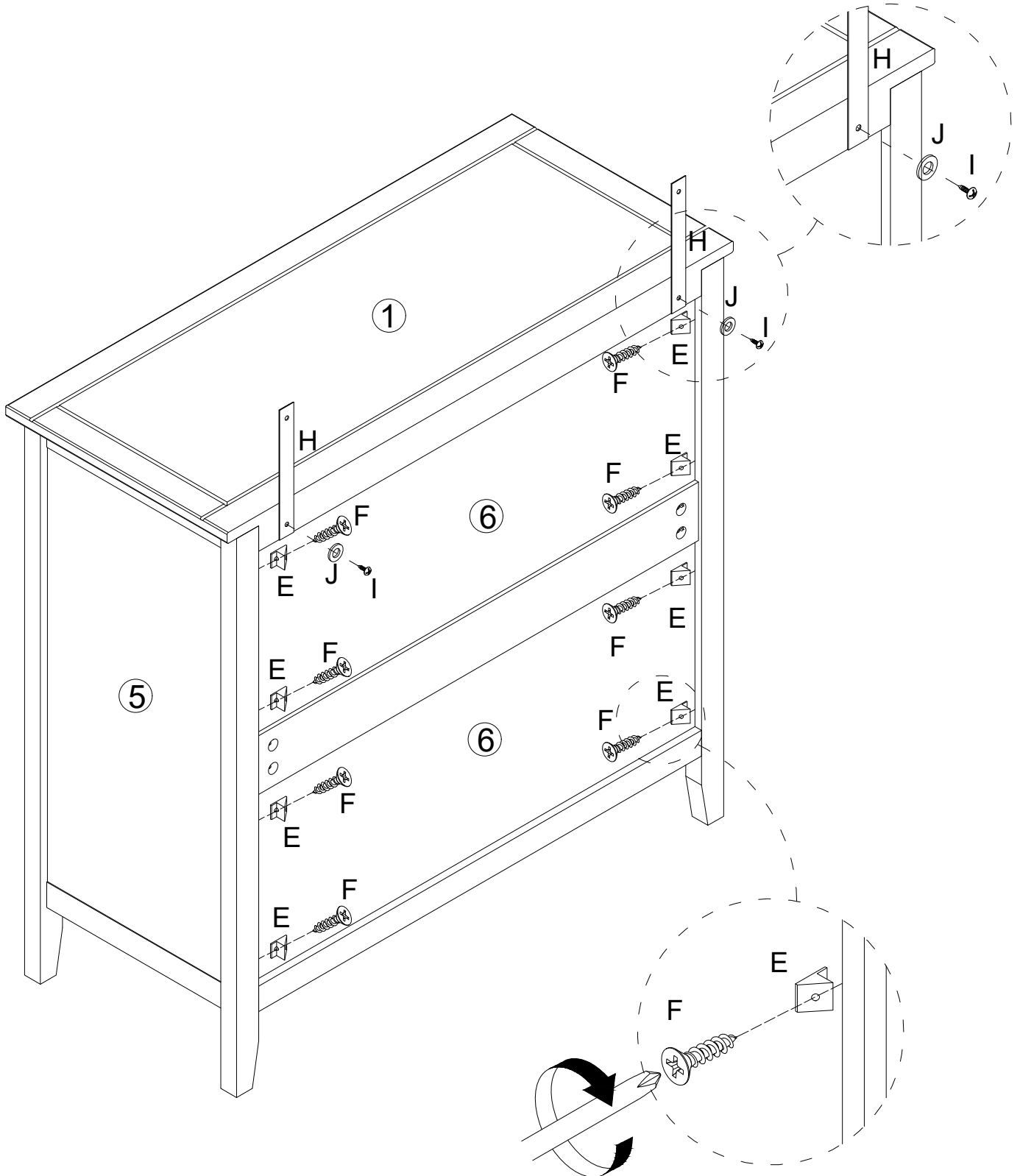
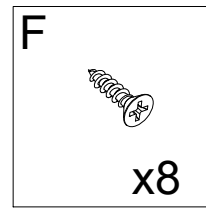
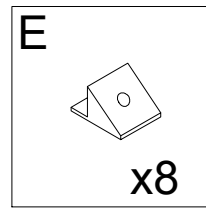
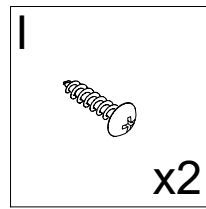
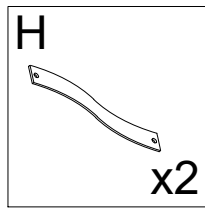
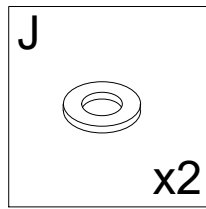
STEP 6



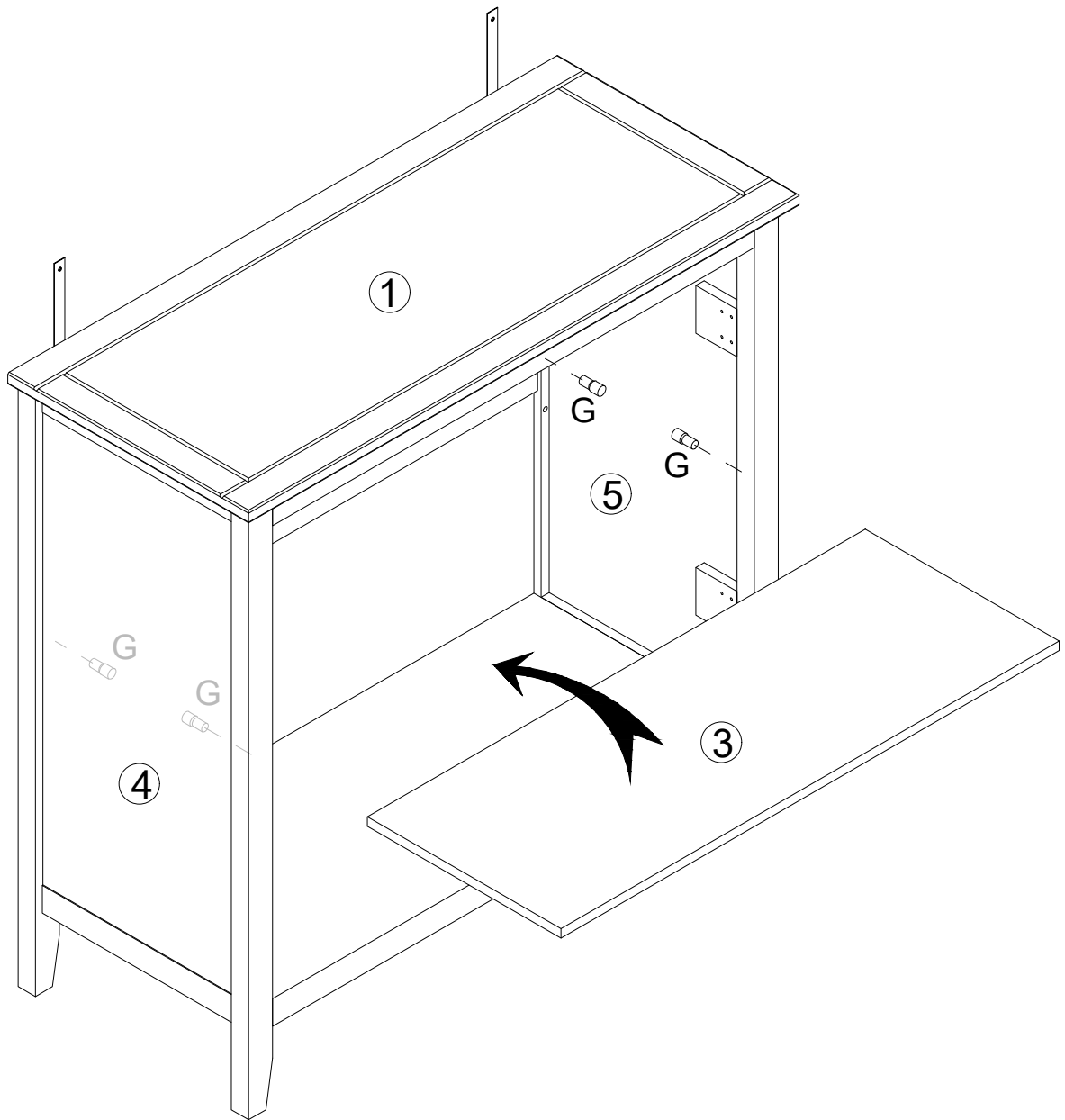
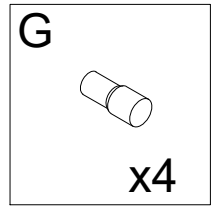
STEP 7



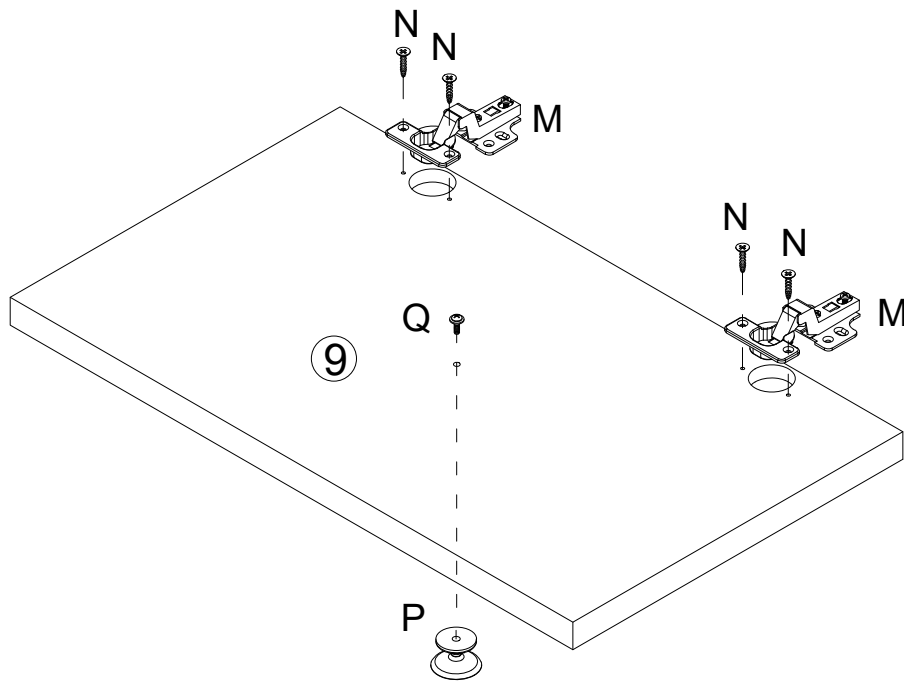
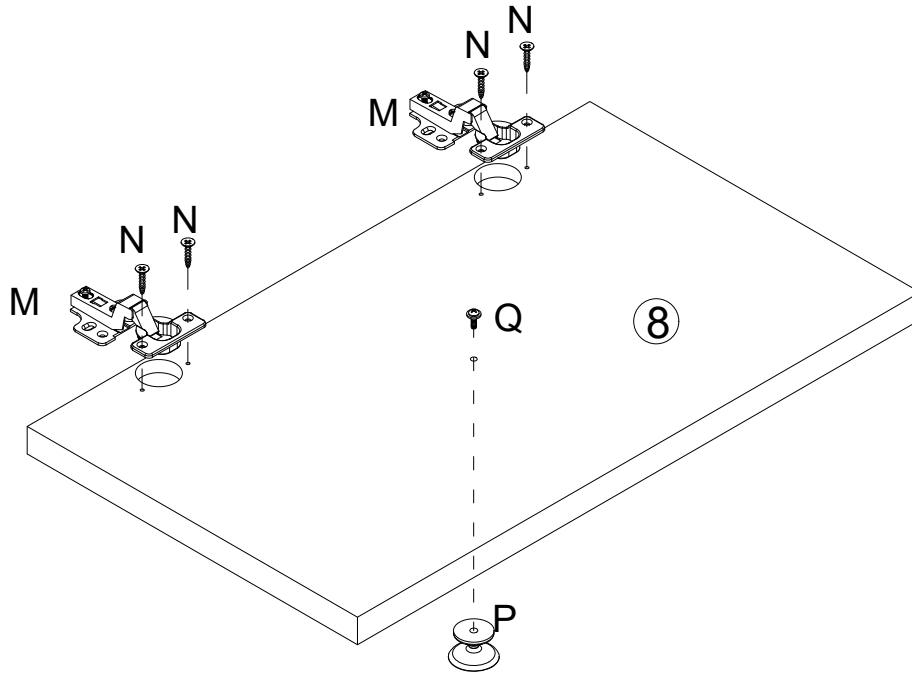
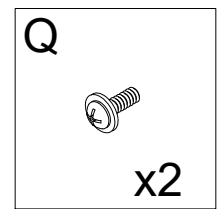
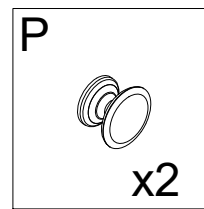
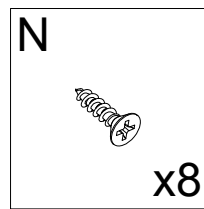
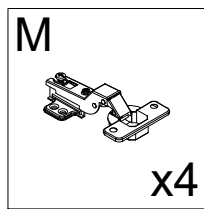
STEP 8



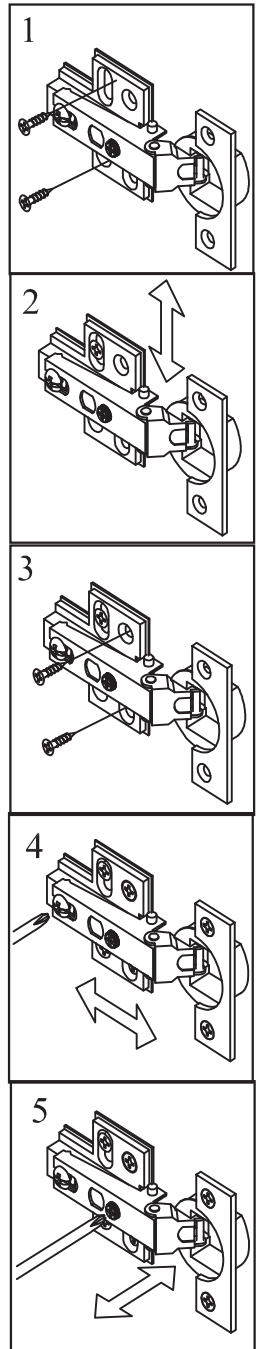
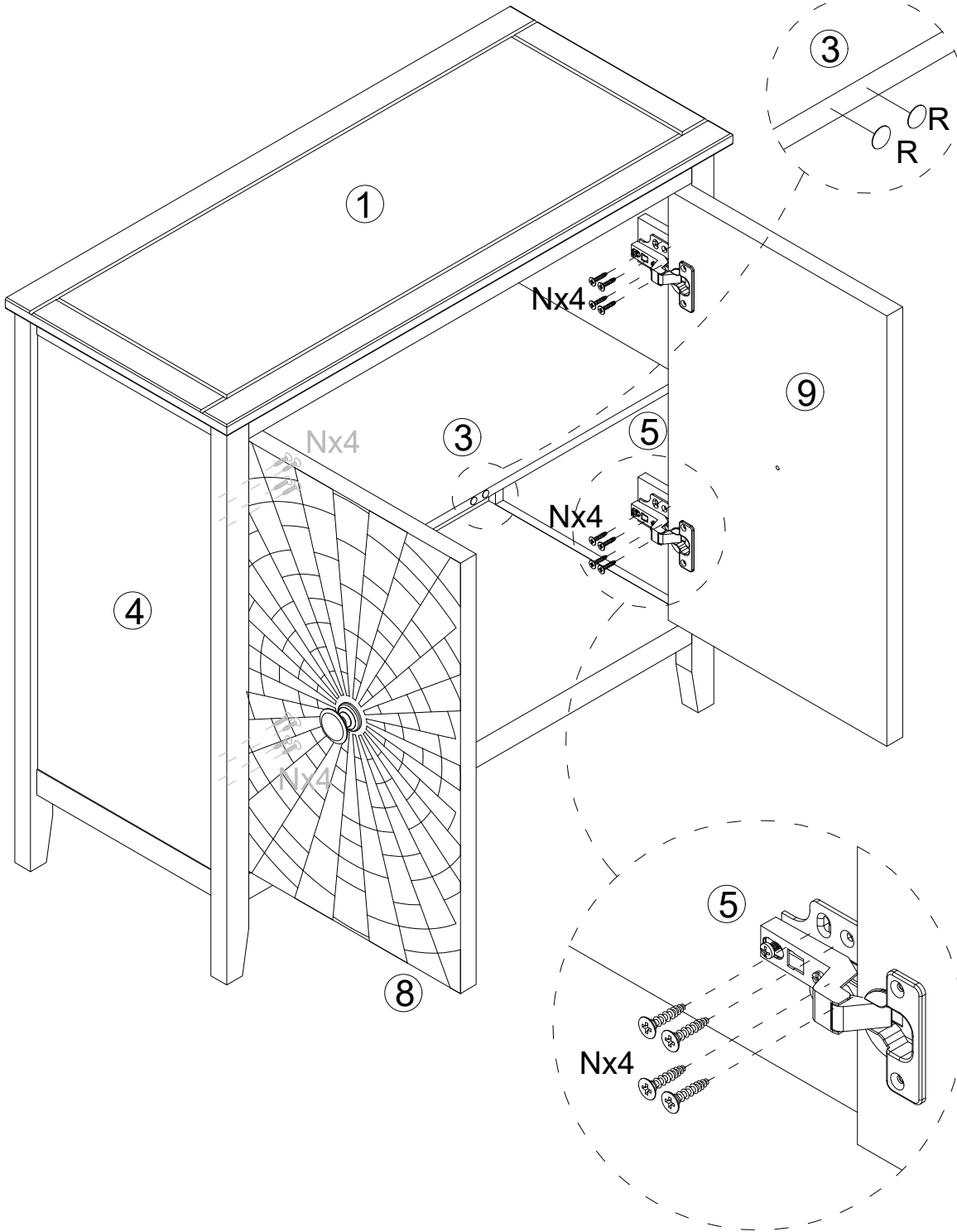
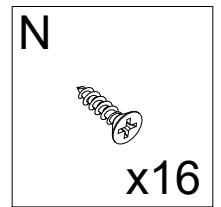
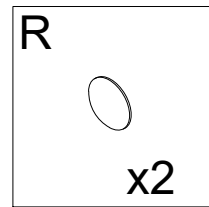
STEP 9



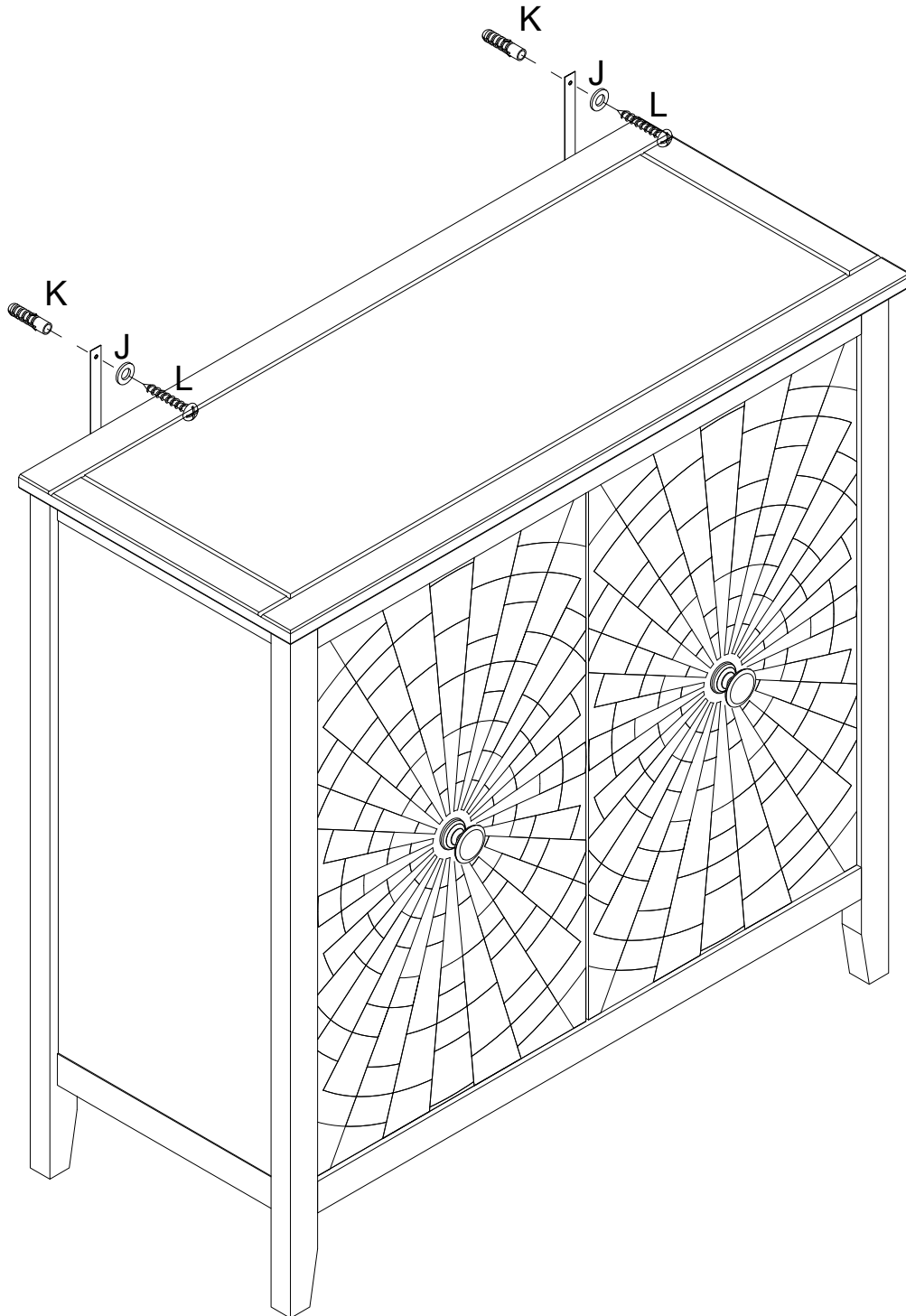
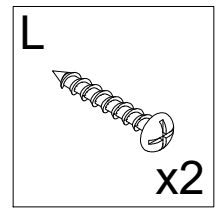
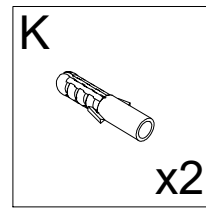
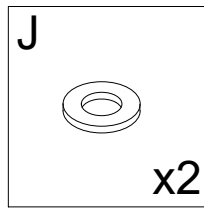
STEP 10



STEP 11



STEP 12



Proper Use

- DO NOT** use for commercial purposes
- DO NOT** use as a step stool or stand on table
- DO NOT** put hot serving liquid directly on the table top
- DO NOT** leave spilled liquid on the table top
- DO NOT** use table if damaged
- DO NOT** exceed weight limit
- DO NOT** make temporary repairs
- DO NOT** use outdoor

Dear Customer:

Thank you for purchasing our product,we wish you satisfy our service,if you have any further questions or any quality issues,please show the belows number and don't hesitate to contact our Customer Service People.