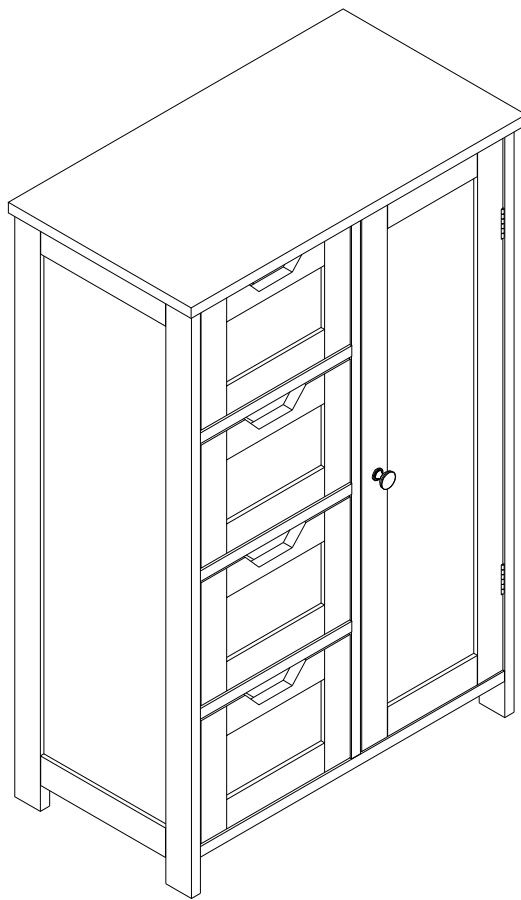
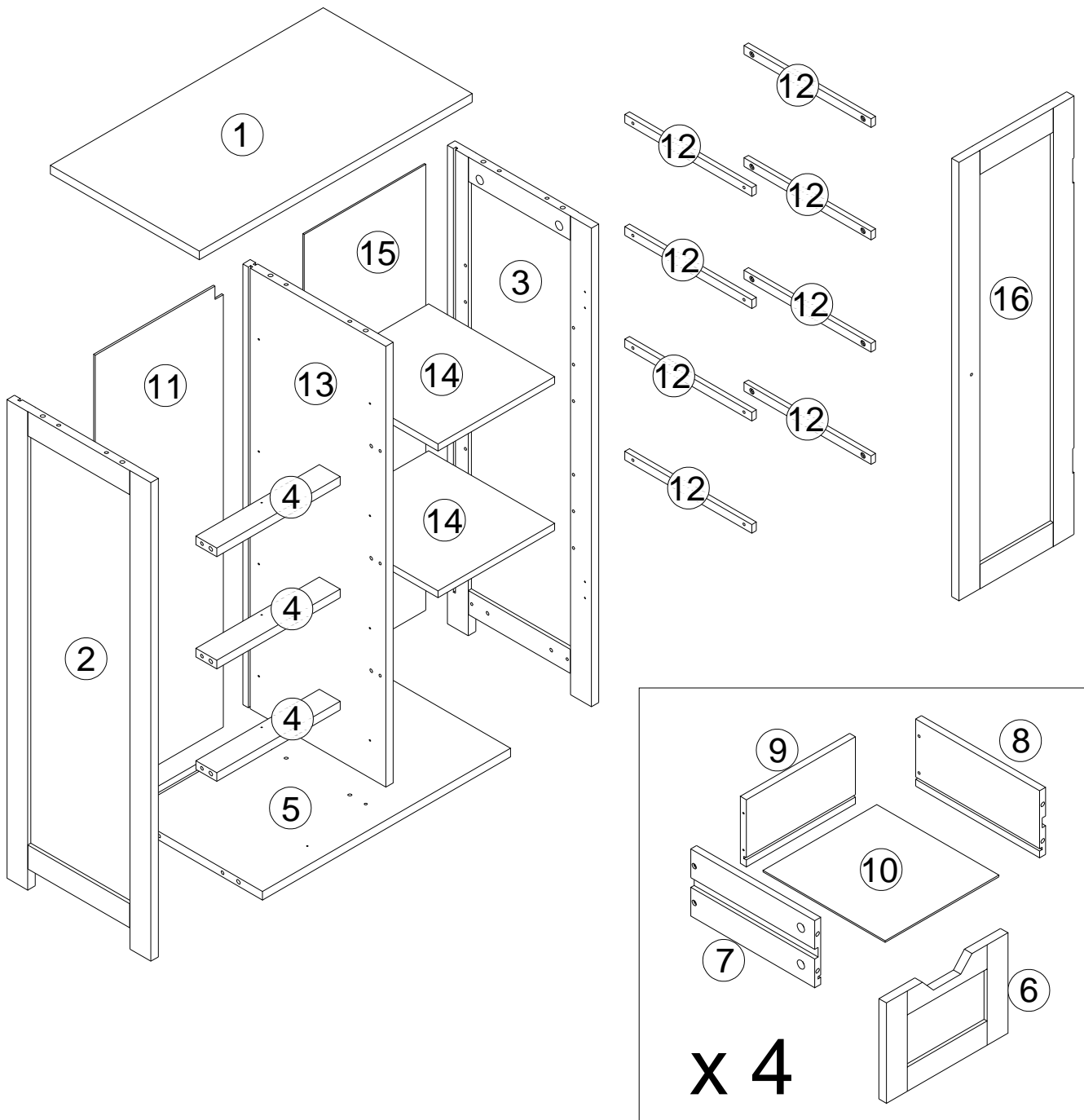
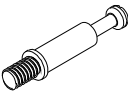

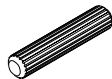


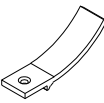
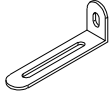
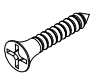
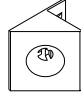
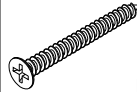


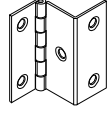
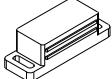
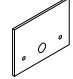


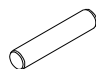


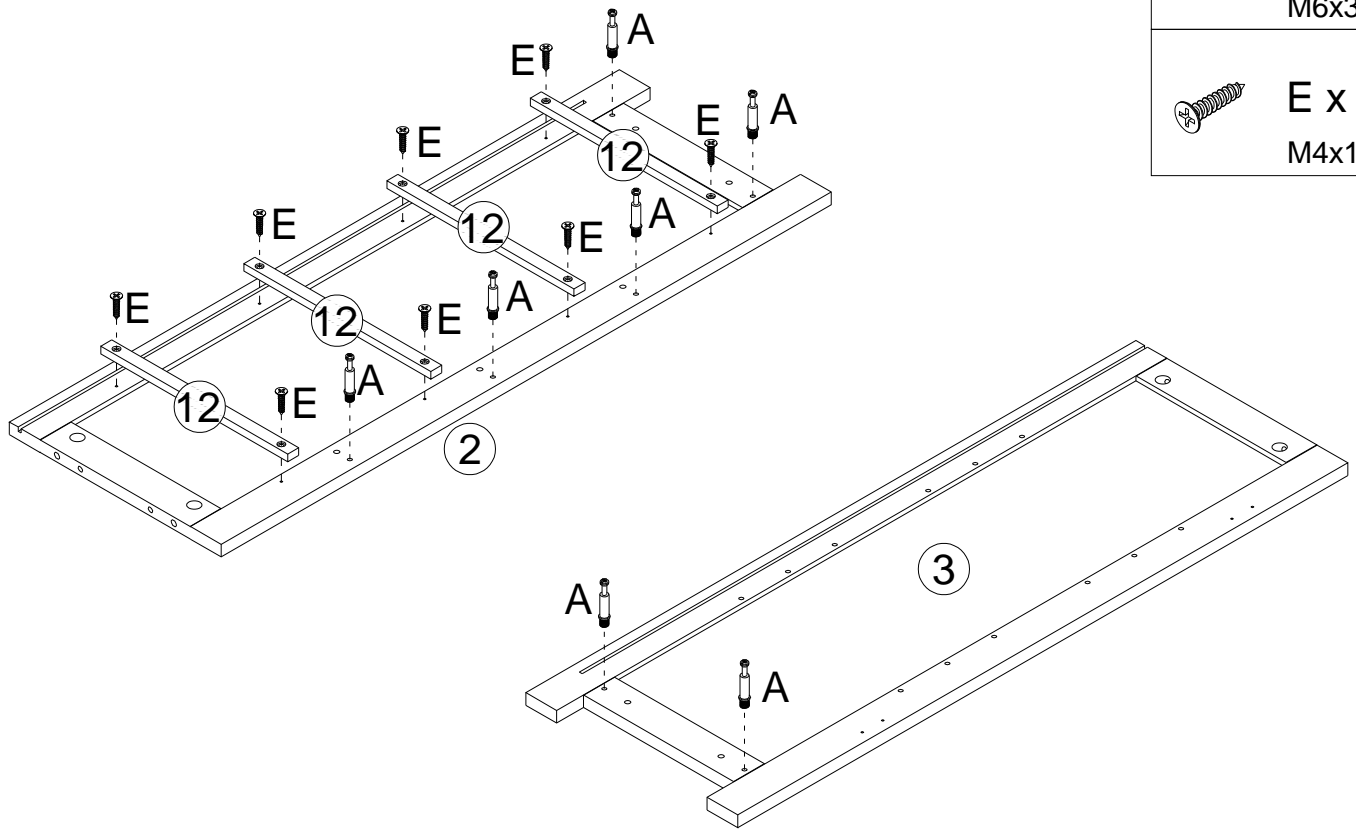
ASSEMBLY INSTRUCTION

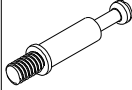


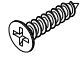


 A x 32 M6x35mm	 B x 32 M15x10mm	 C x 18 M6x30mm	 D x 15 M3x12mm	 E x 16 M4x18mm
 F x 4	 G x 1	 H x 8 M3x14mm	 J x 6	 K x 19 M4x35mm
 L x 1	 M x 1	 N x 2	 O x 1	 P x 1
 Q x 1	 R x 1 M4x18mm	 S x 8		

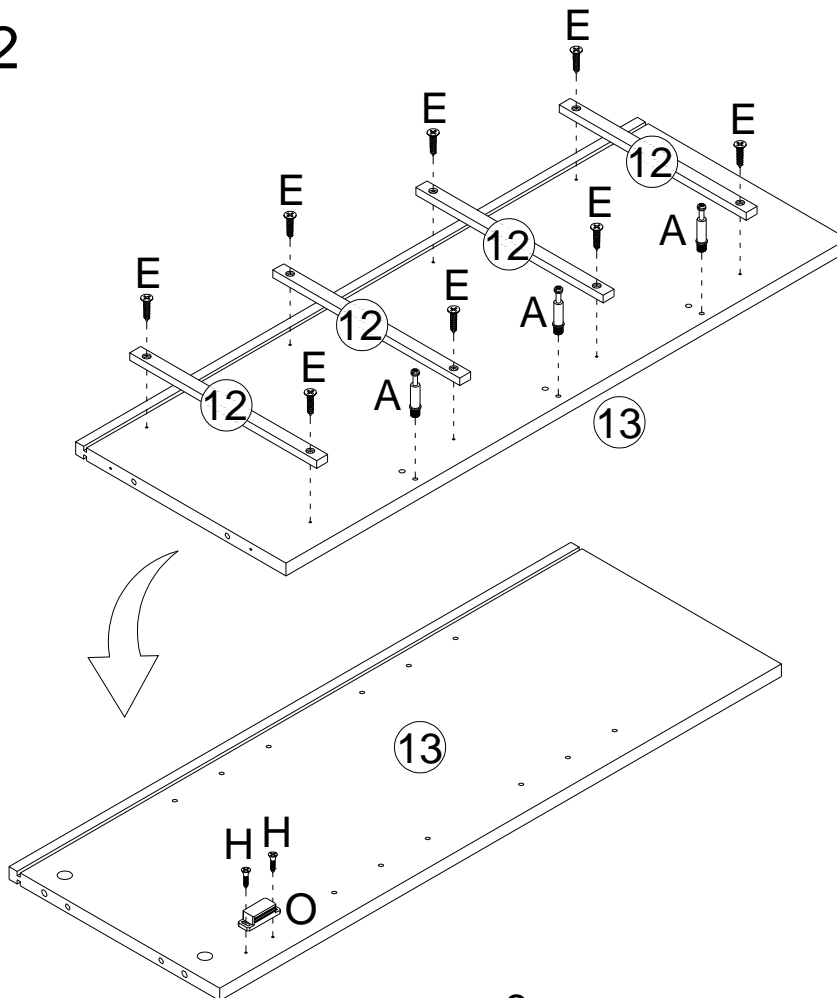
STEP 1



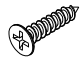
 A x 7
M6x35mm


 E x 8
M4x18mm

STEP 2



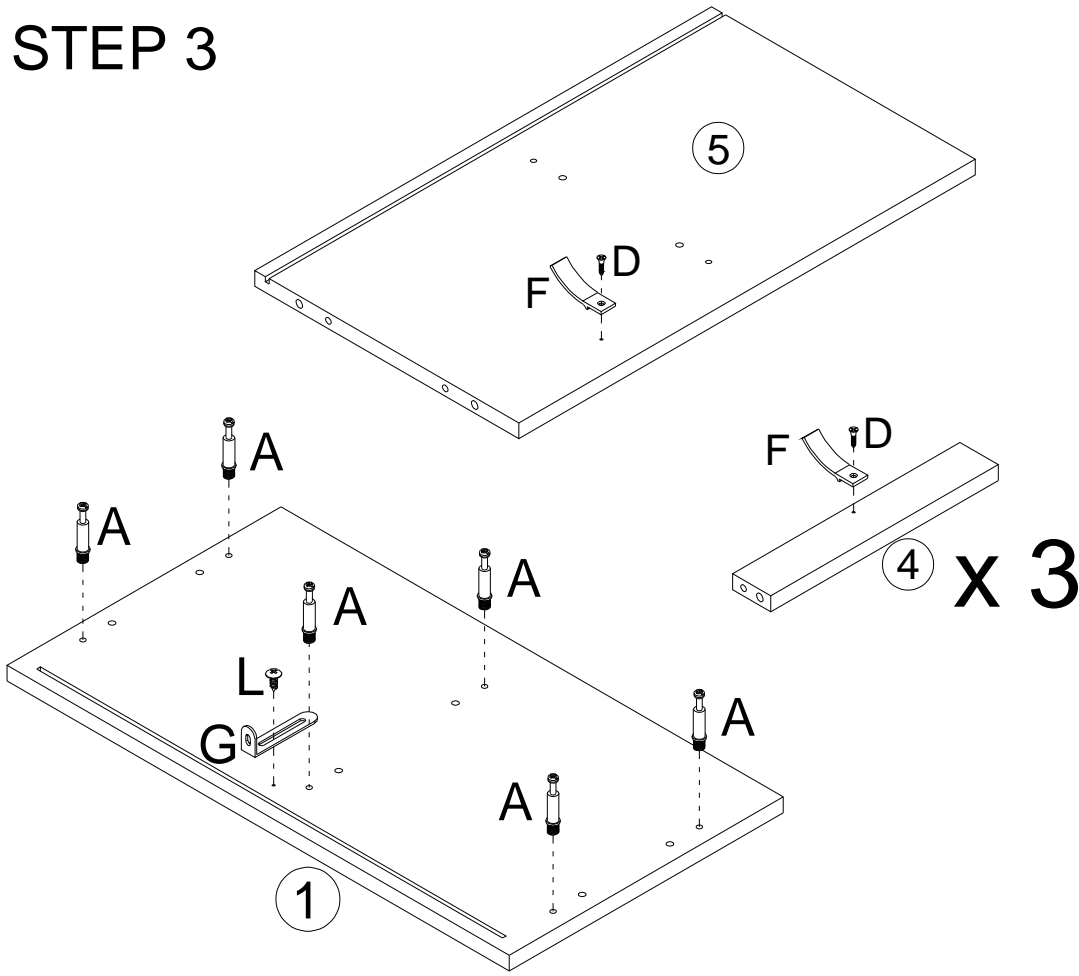
 A x 3
M6x35mm

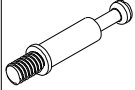
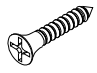
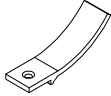
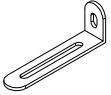

 E x 8
M4x18mm

 H x 2
M3x14mm

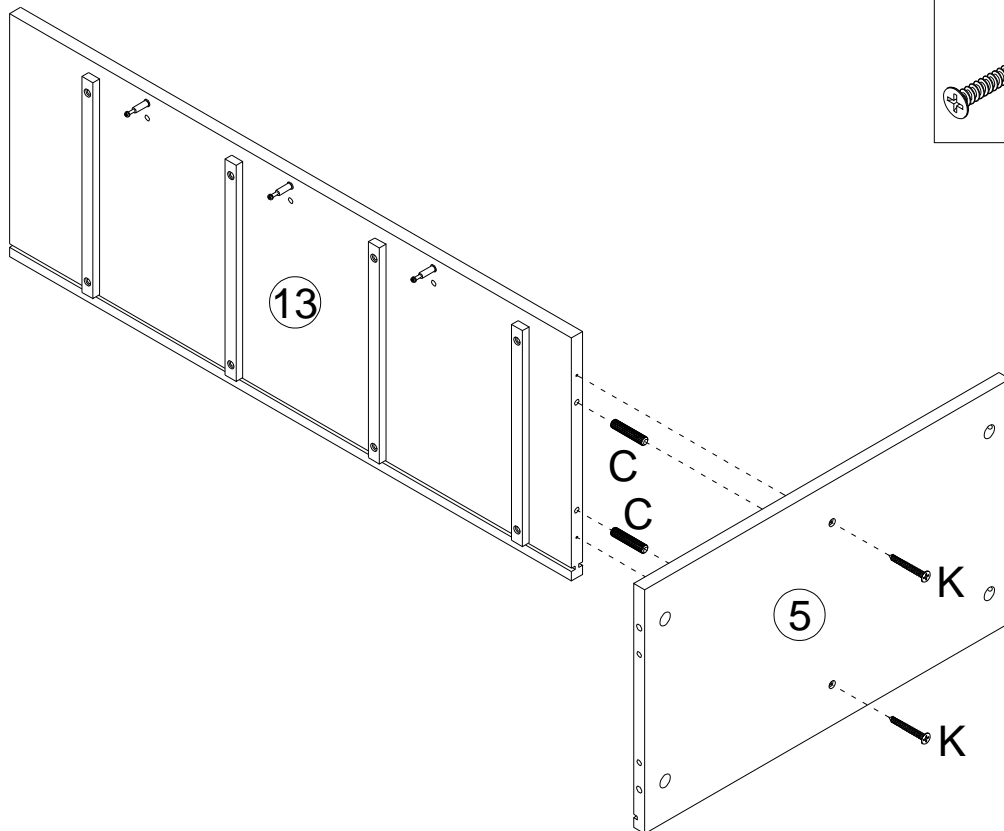
 O x 1



STEP 3



	A x 6 M6x35mm
	D x 4 M3x12mm
	F x 4
	G x 1
	L x 1

STEP 4

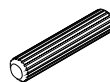


	C x 2 M6x30mm
	K x 2 M4x35mm

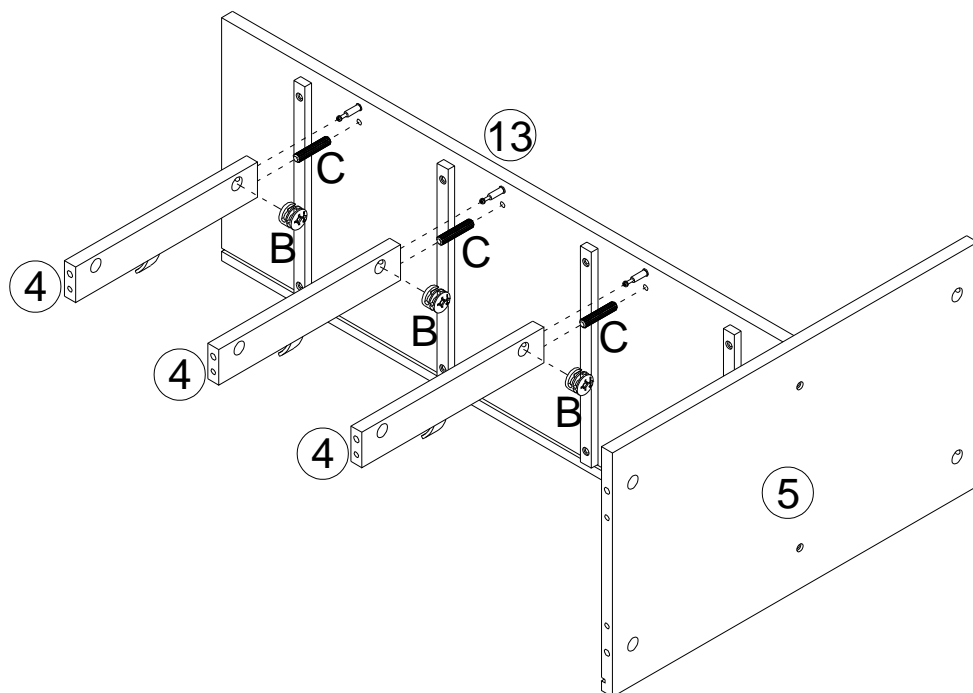
STEP 5



B x 3
M15x10mm



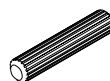
C x 3
M6x30mm



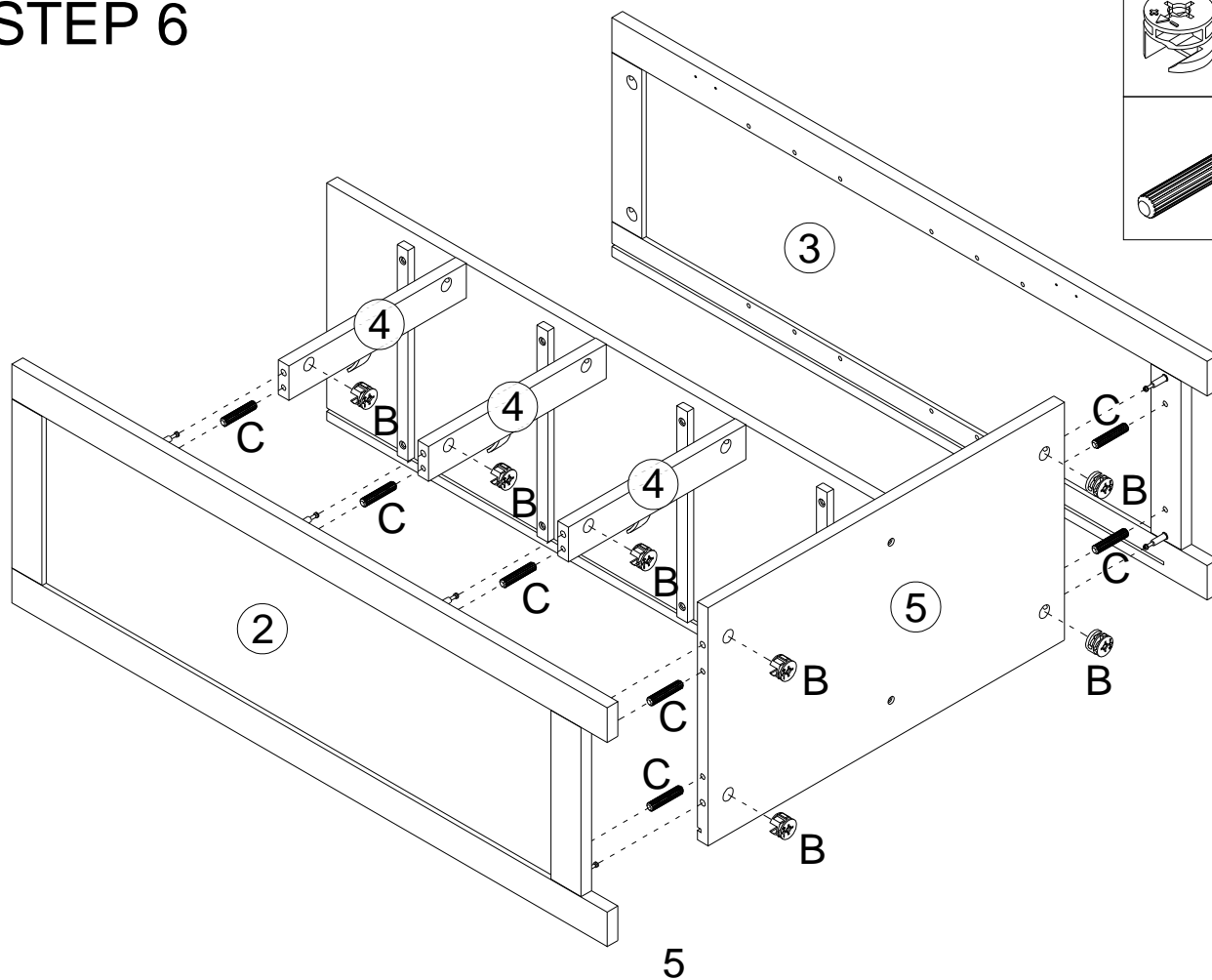
STEP 6



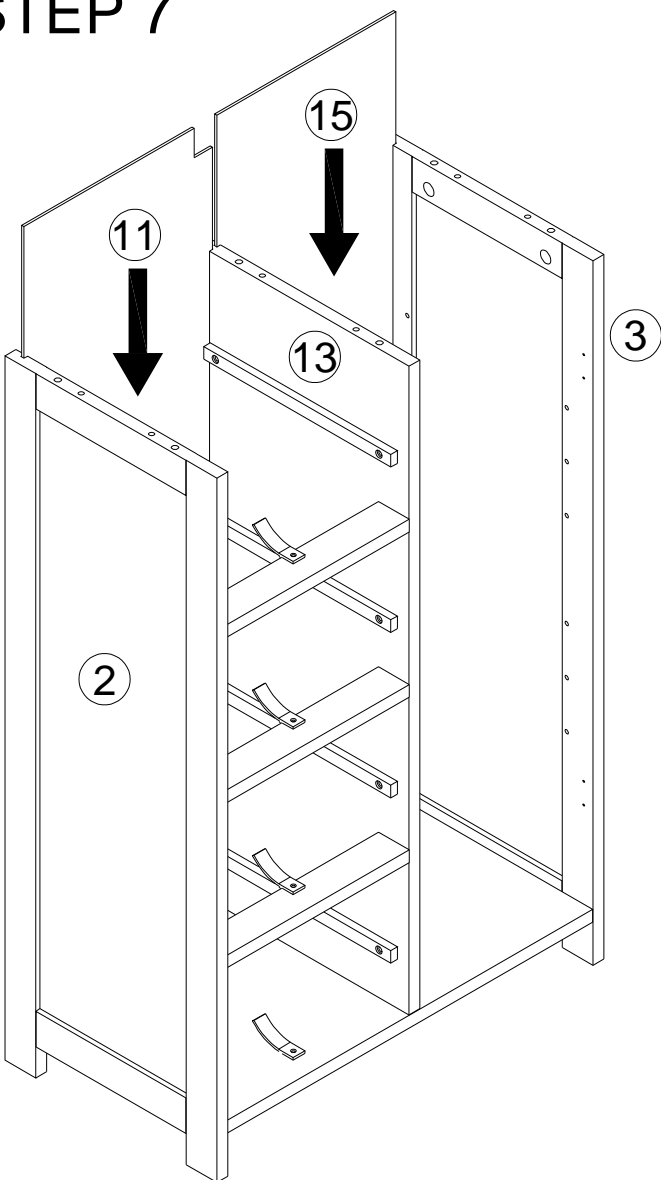
B x 7
M15x10mm



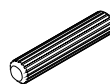
C x 7
M6x30mm



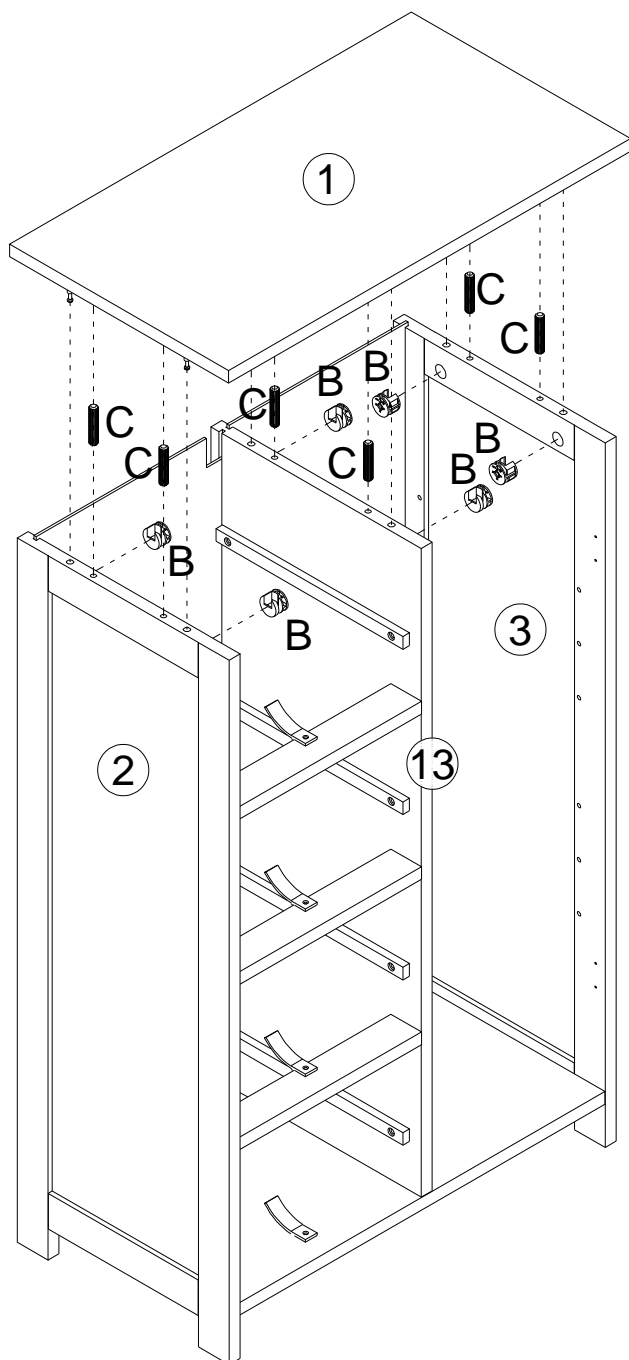
STEP 7



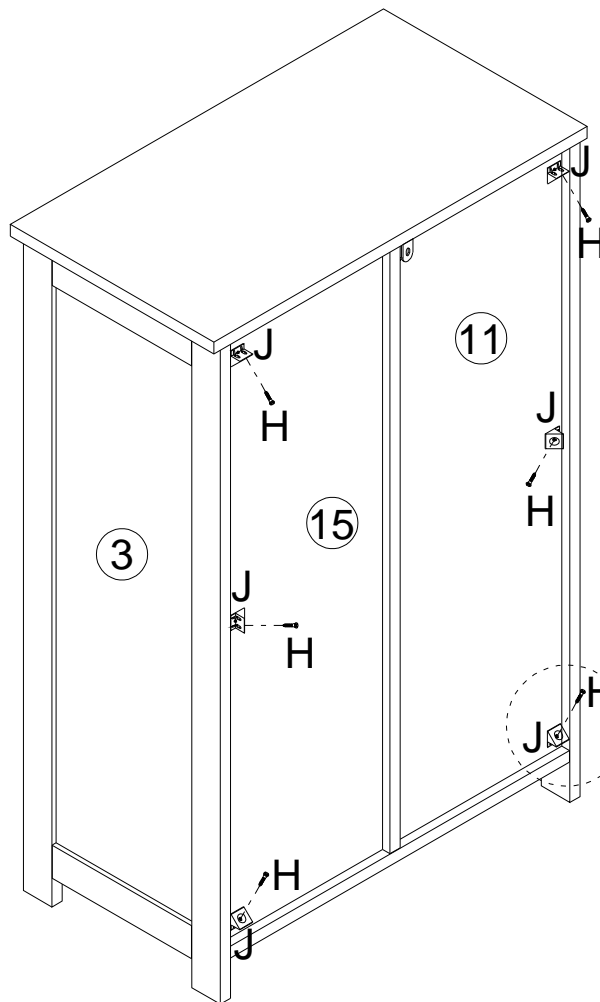
B x 6
M15x10mm



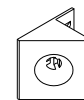
C x 6
M6x30mm



STEP 8

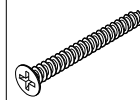
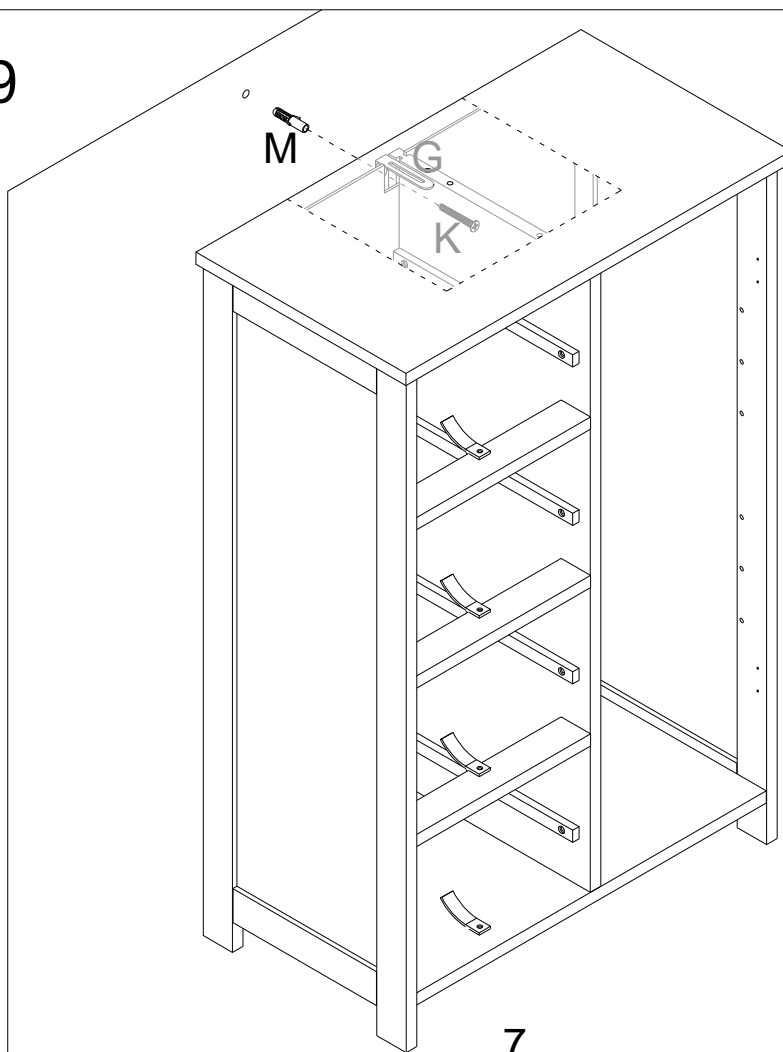


H x 6
M3x14mm



J x 6

STEP 9



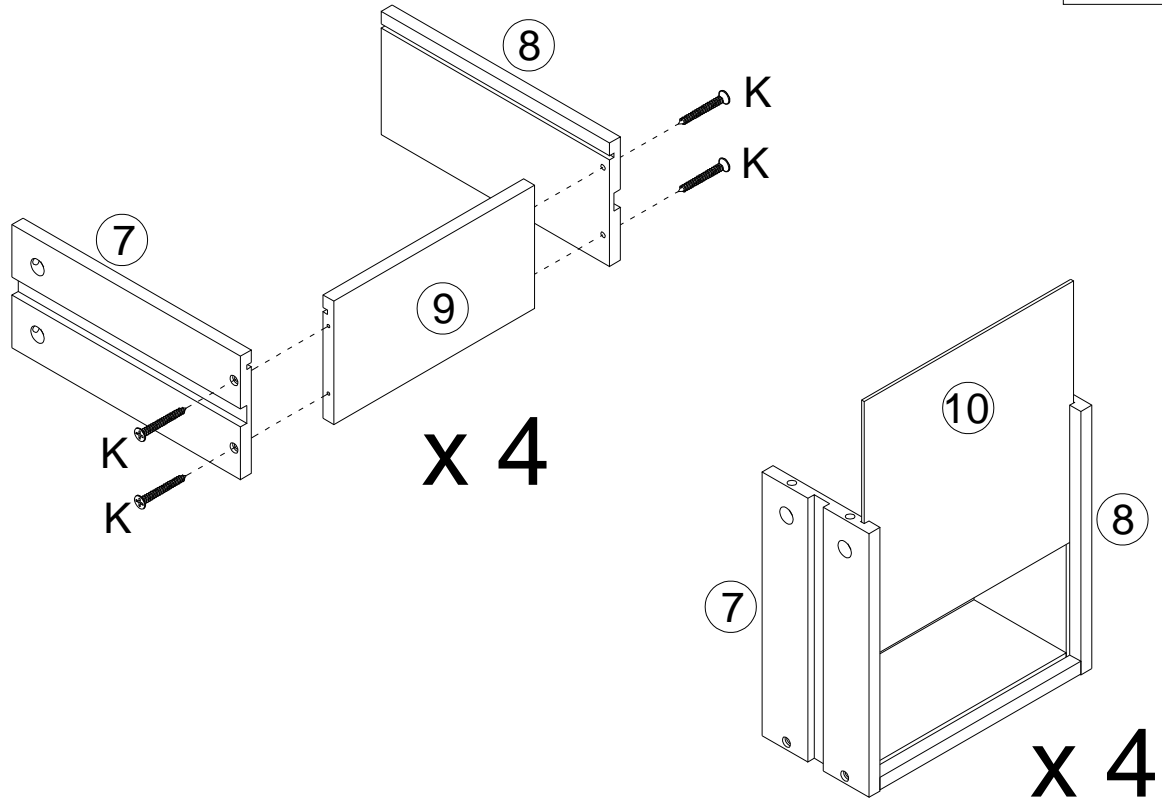
K x 1
M4x35mm



M x 1

STEP 10

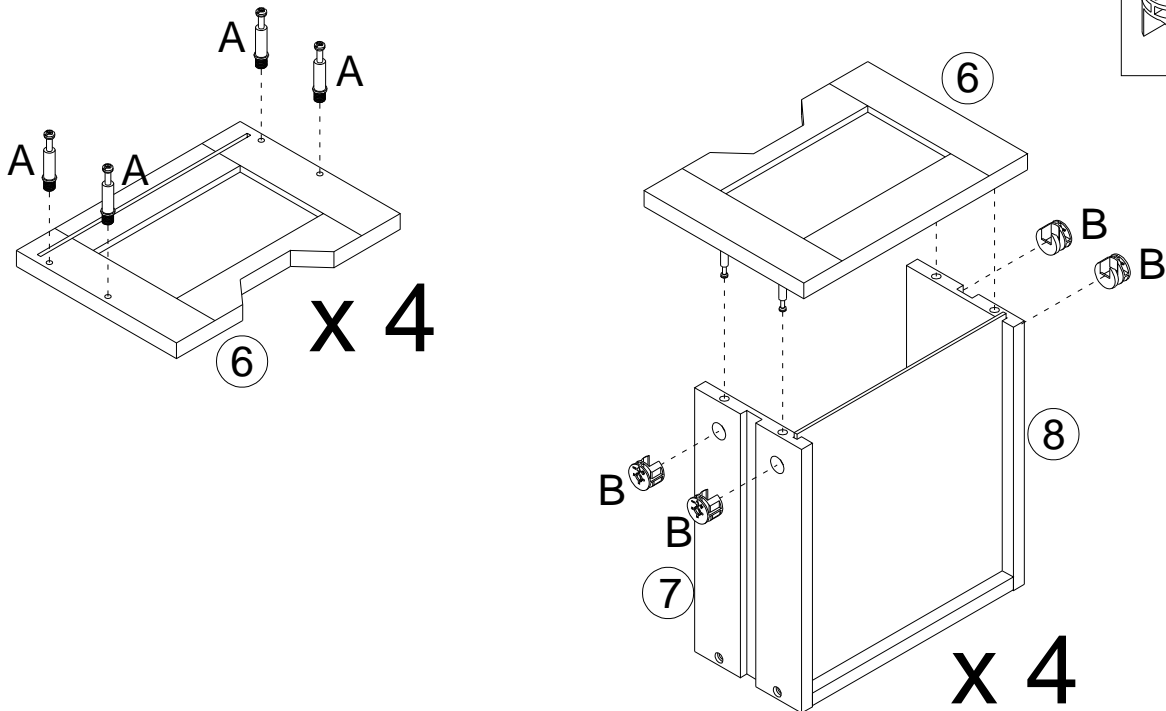
 K x 16
M4x35mm



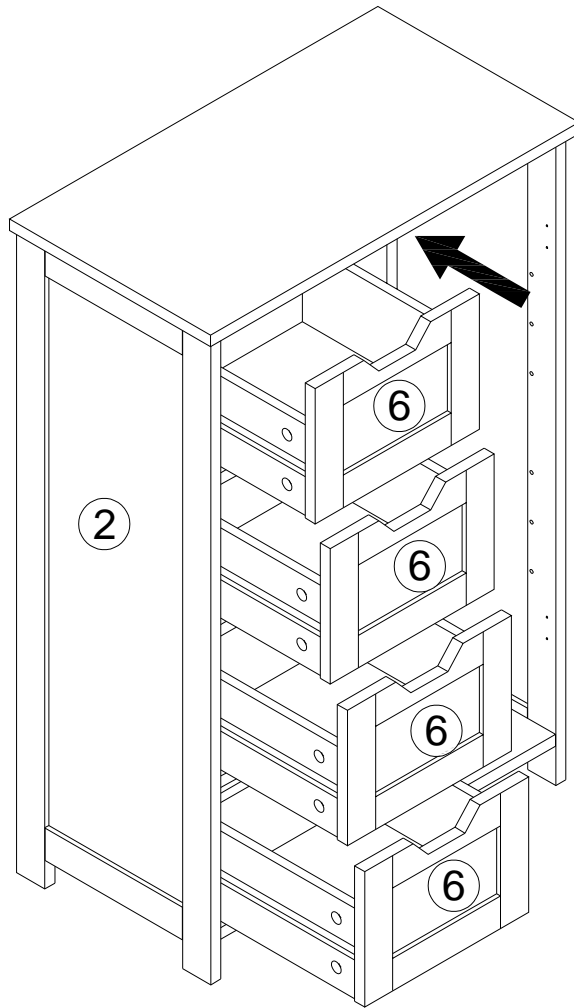
STEP 11

 A x 16
M6x35mm

 B x 16
M15x10mm

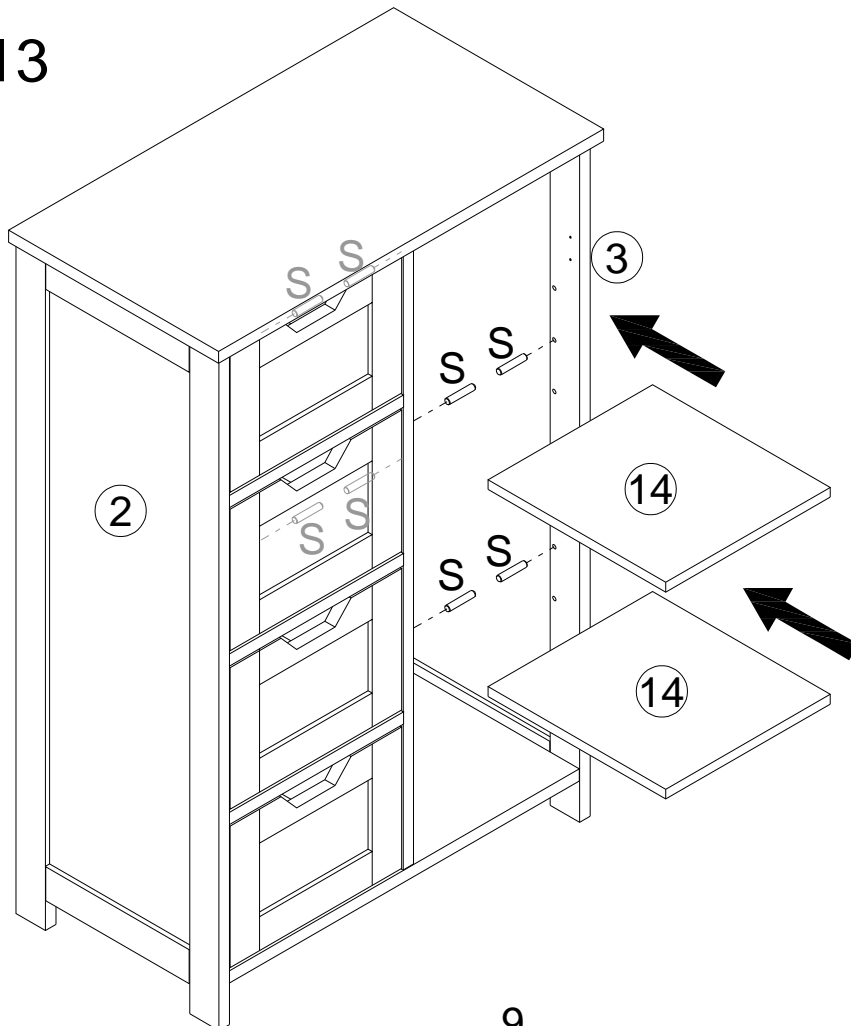


STEP 12

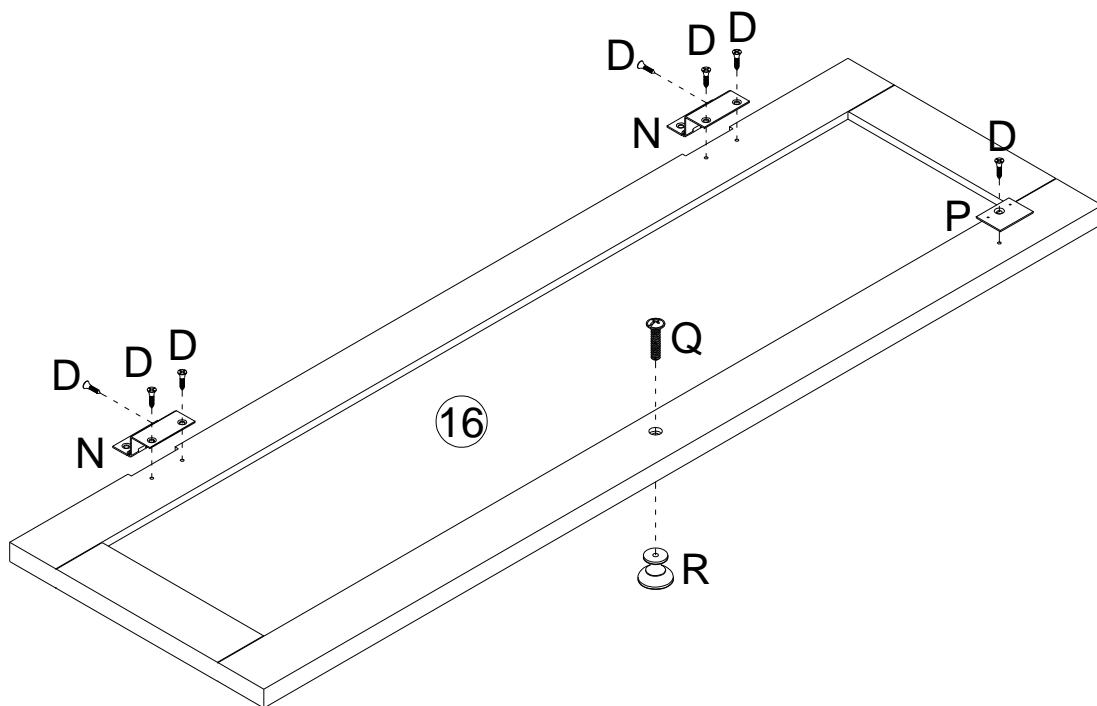


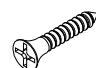
STEP 13

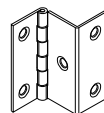
 S x 8




STEP 14




 D x 7
M3x12mm

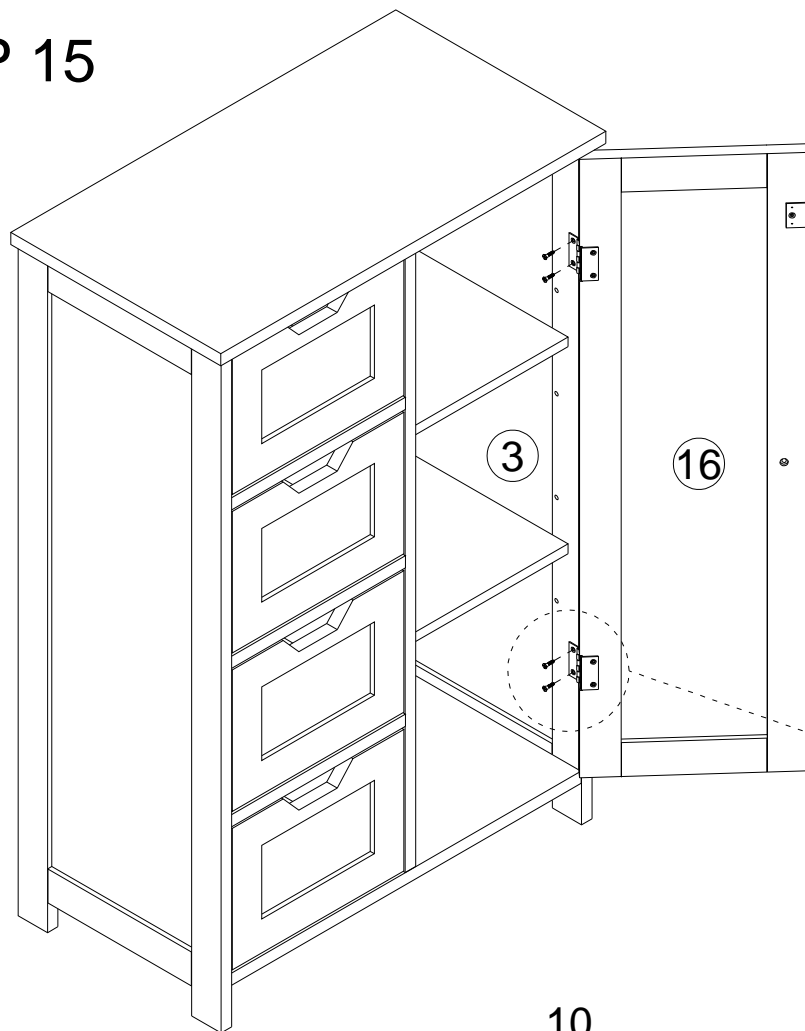
 N x 2

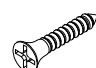
 P x 1

 Q x 1

 R x 1
M4x18mm

STEP 15



 D x 4
M3x12mm

