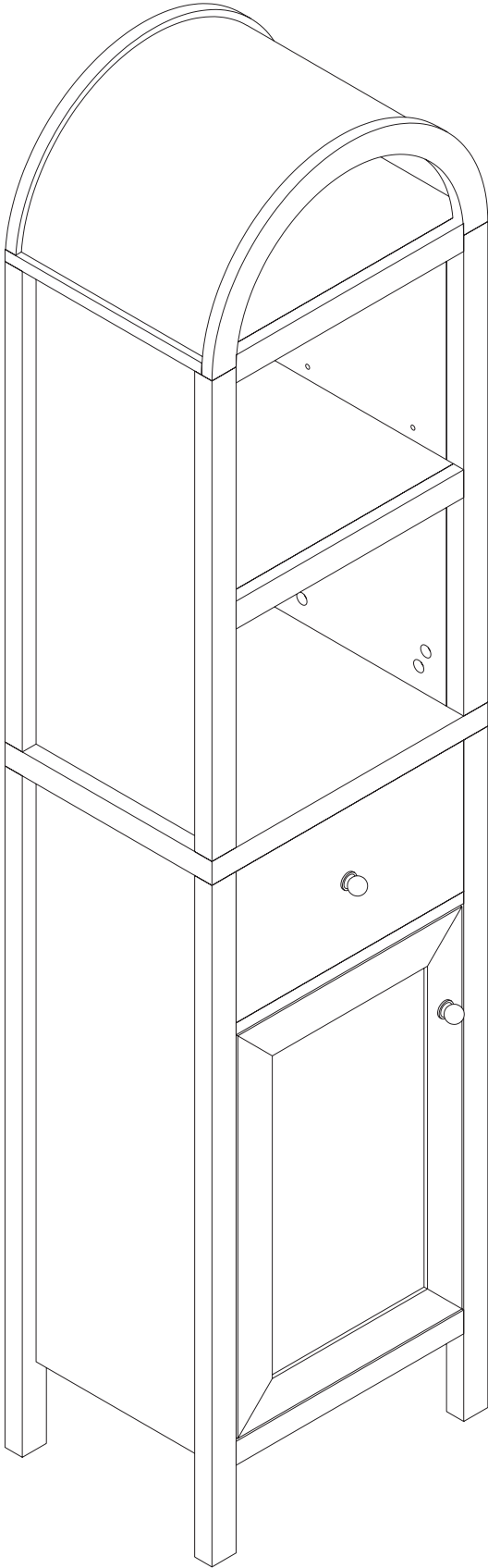


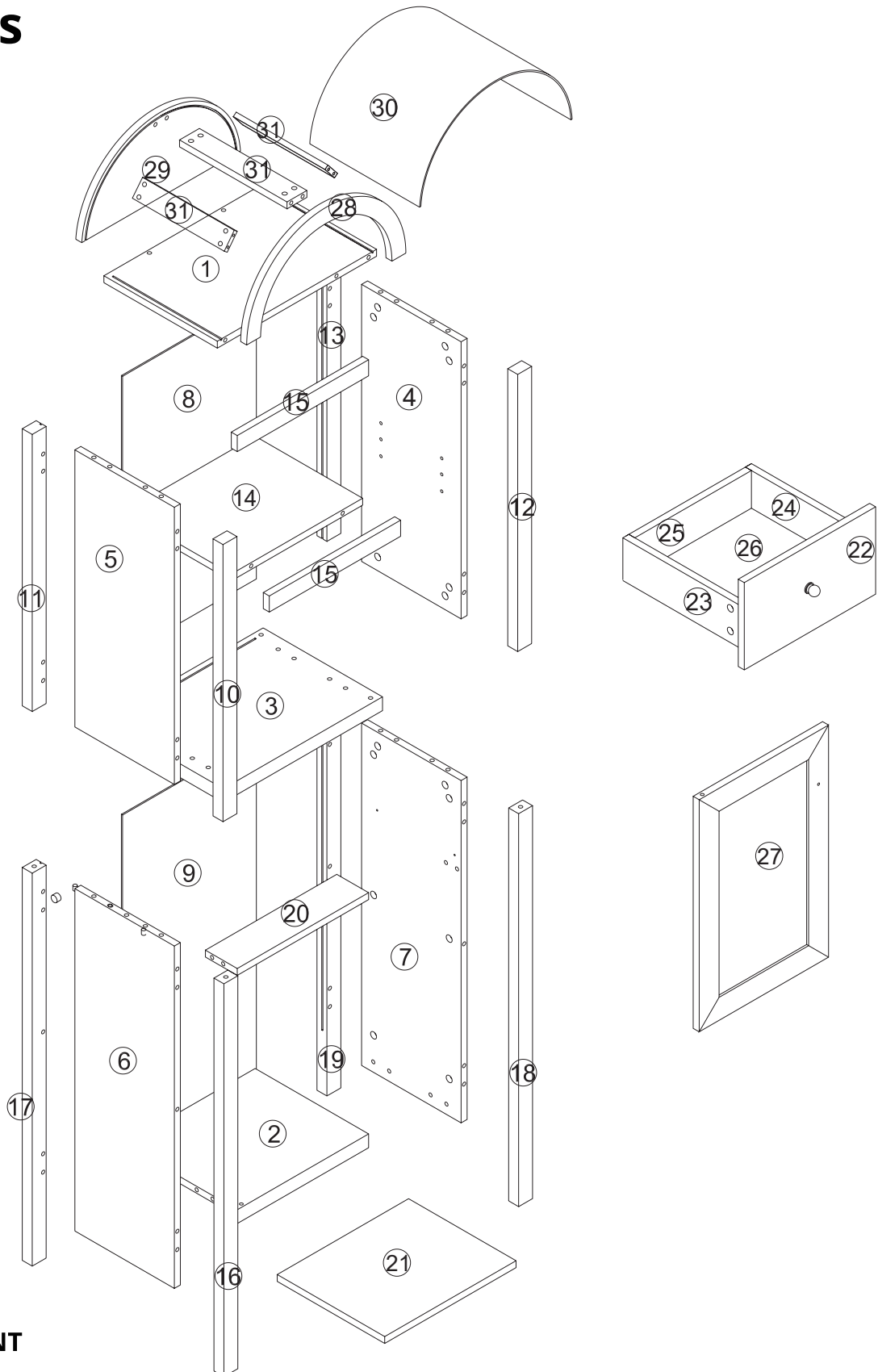
Arched Cabinet

Y-C146



ASSEMBLY INSTRUCTIONS

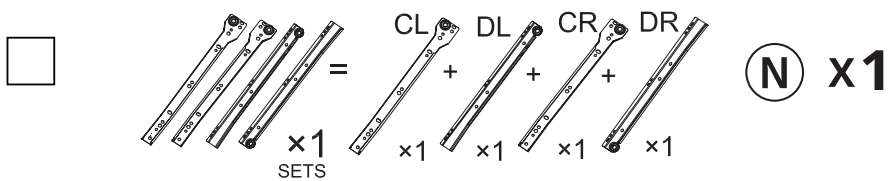
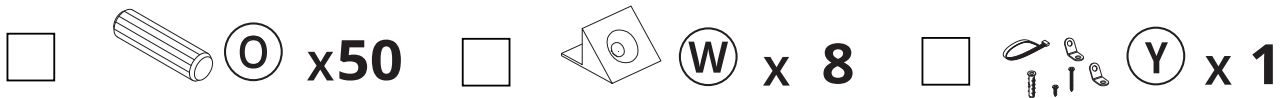
parts



IMPORTANT

1. Do not tighten bolts/screws completely until all bolts/screws are lined up and inserted into holes.
2. Do not over-tighten screws and bolts to avoid stripping.
3. Please use hand tools to assemble this product. Do not use power tools.


Hardware




Before discarding the packaging, please use the checklist to ensure you have all the parts required to assemble your product. Please kindly note you will need the original package if you want to return the product later.




If parts are missing or damaged, we will gladly ship your replacements parts free of charge.



x2

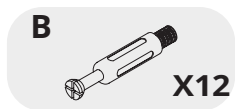
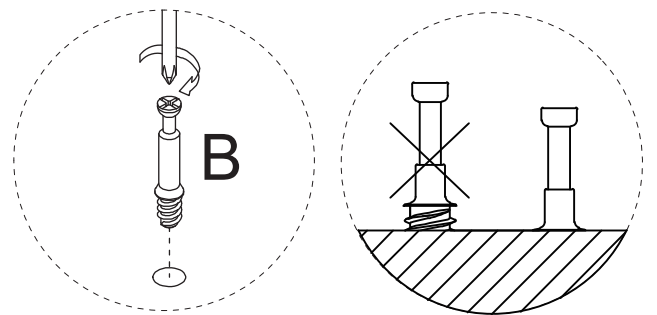
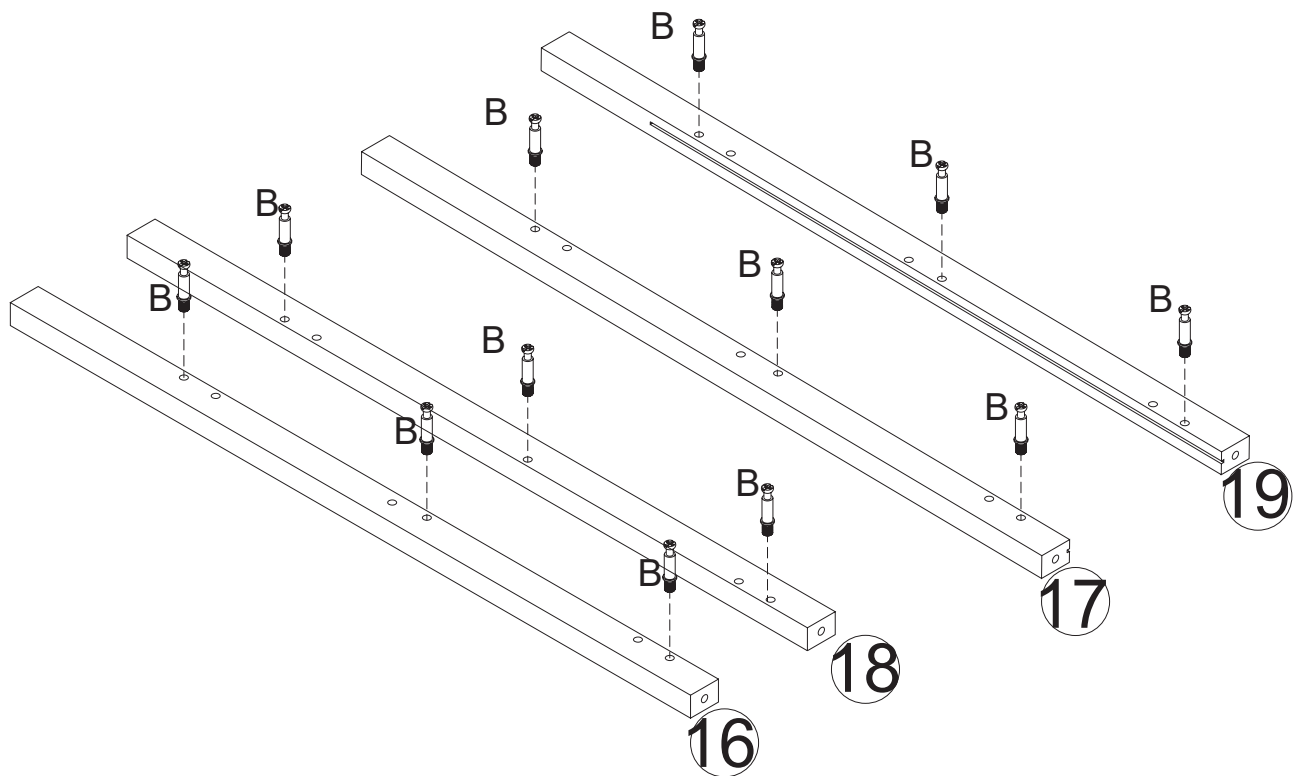


120 mins

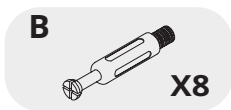
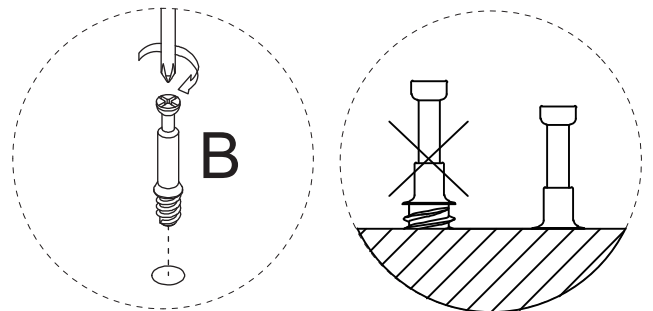
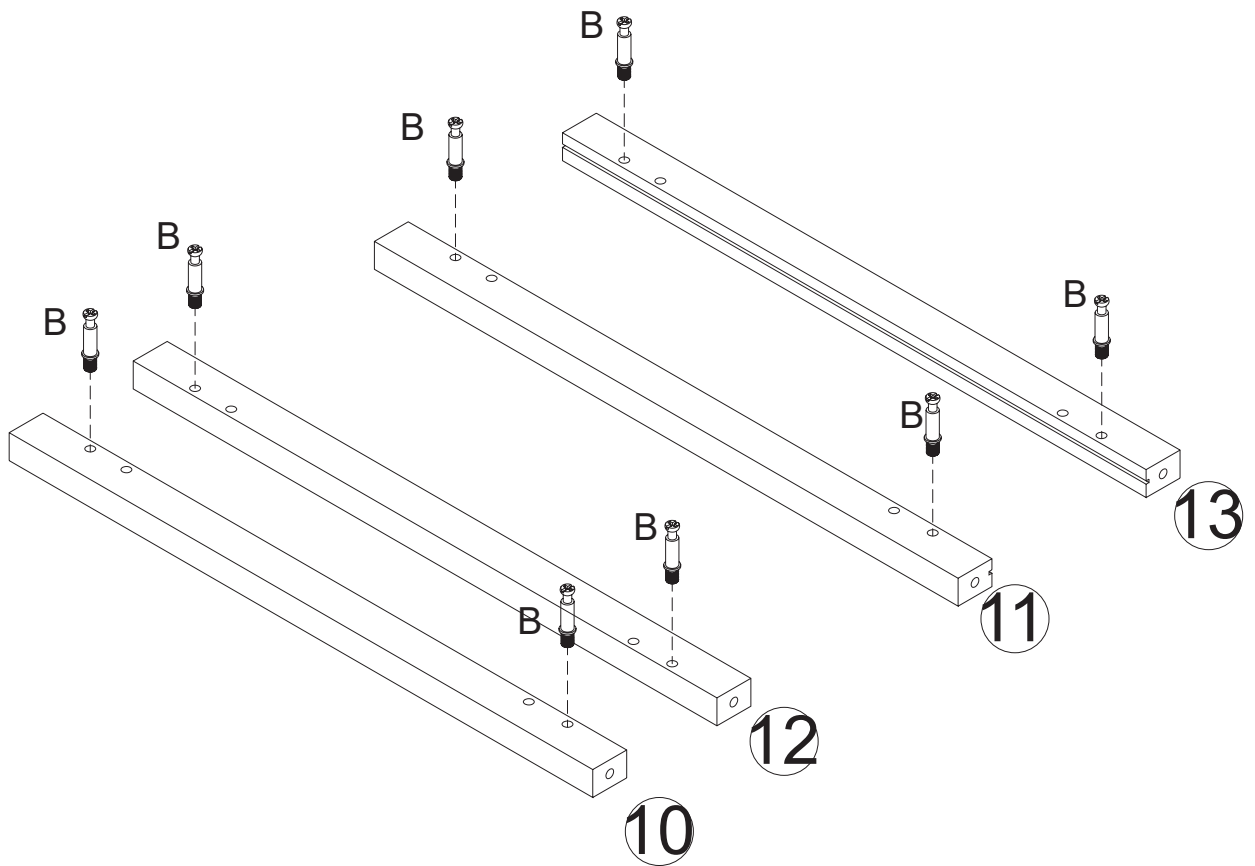


x1

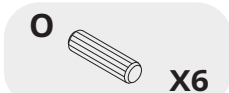
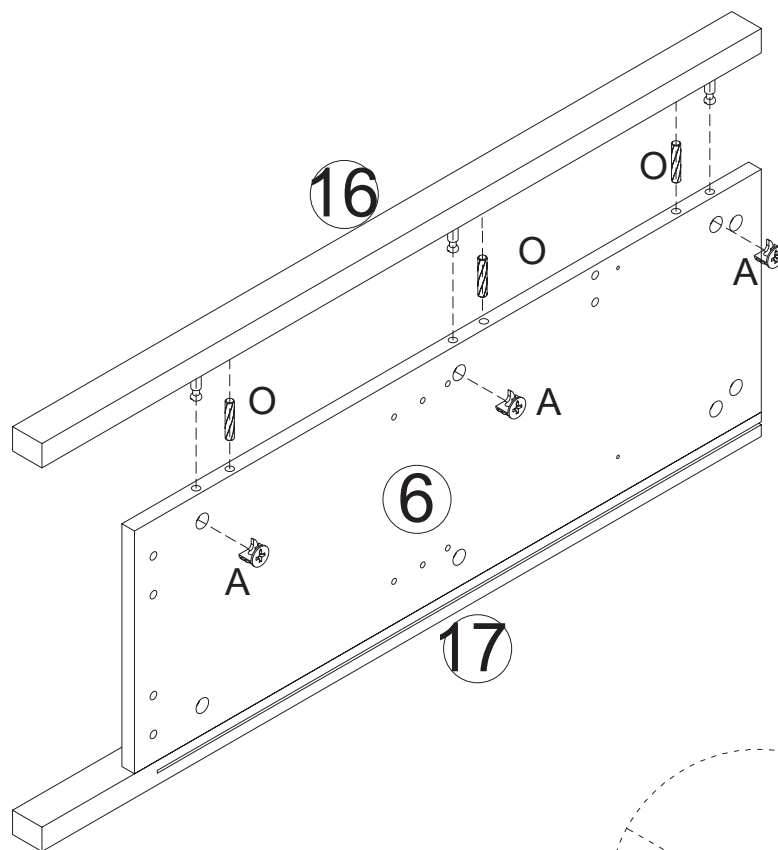
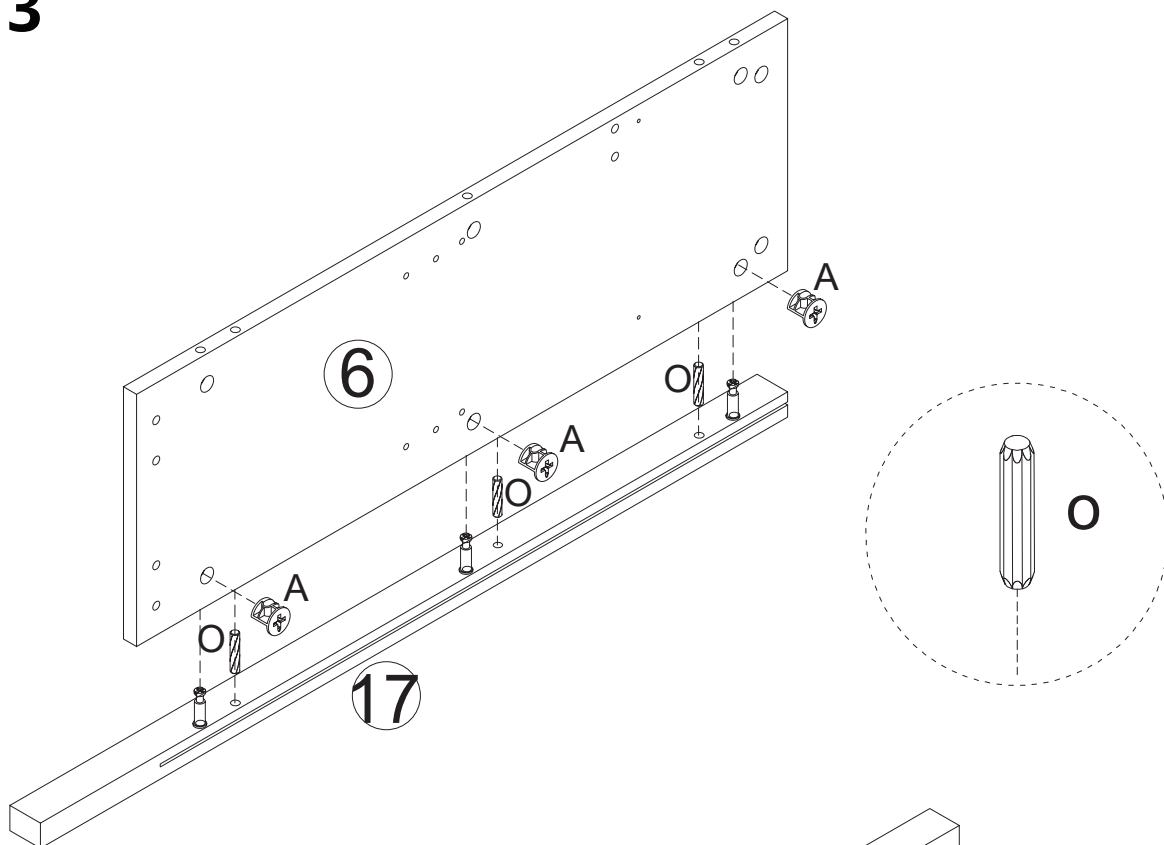
Step 1



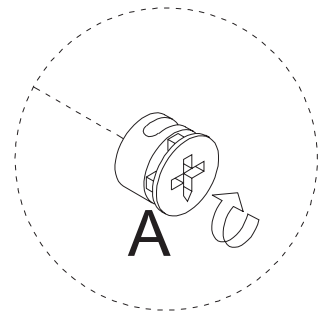
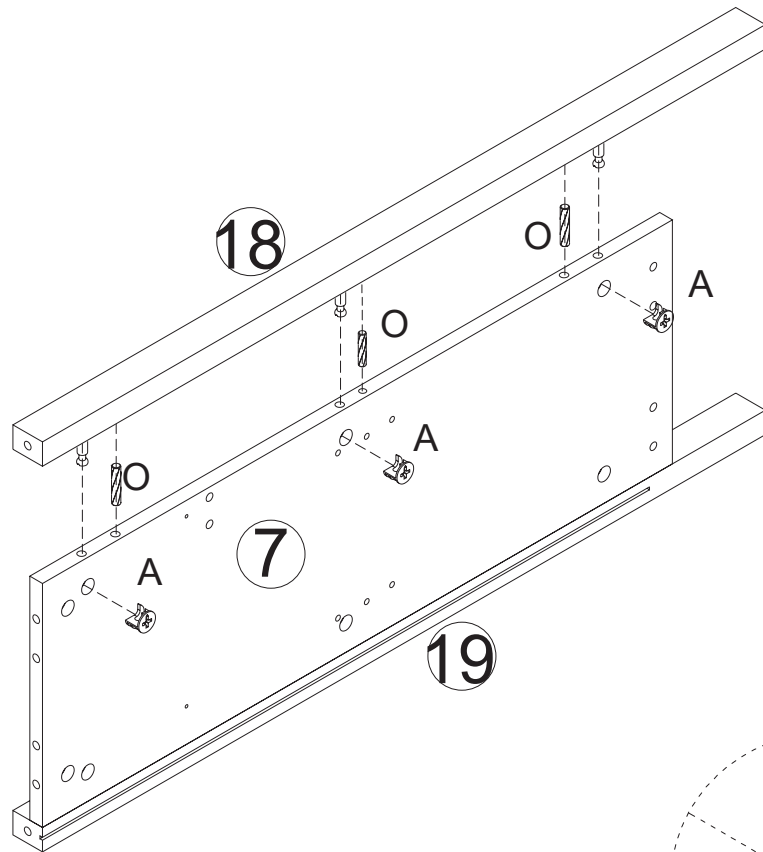
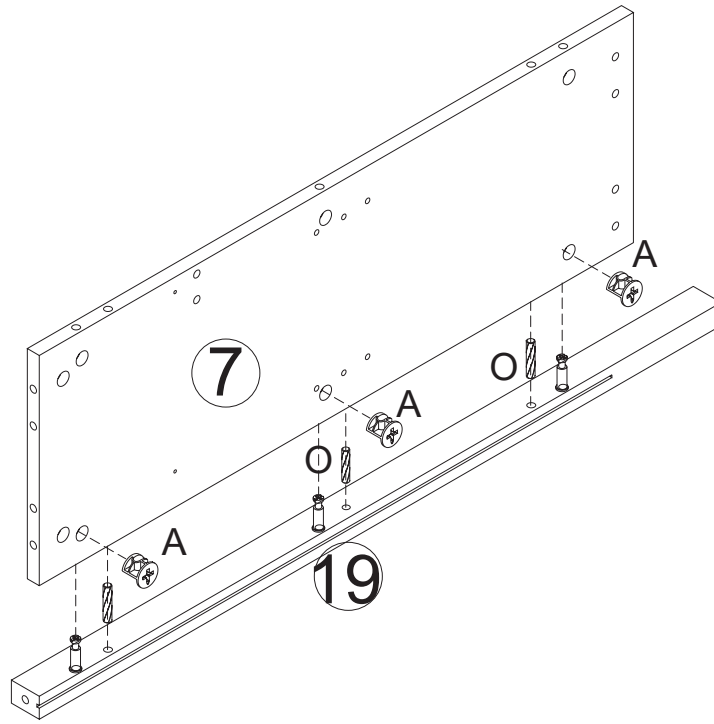
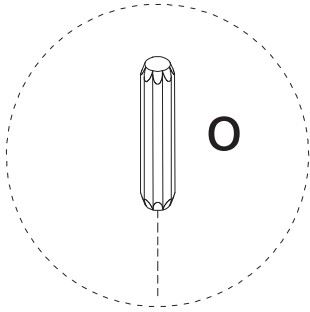
Step 2



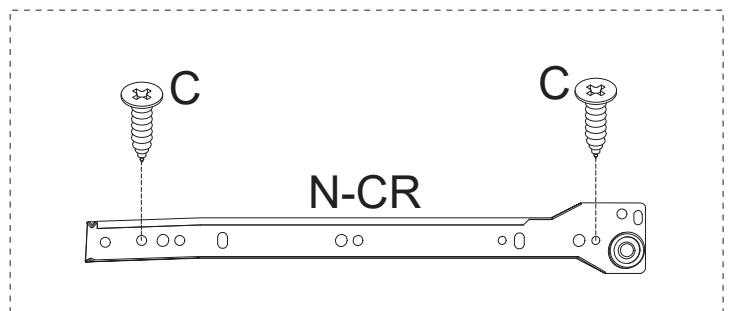
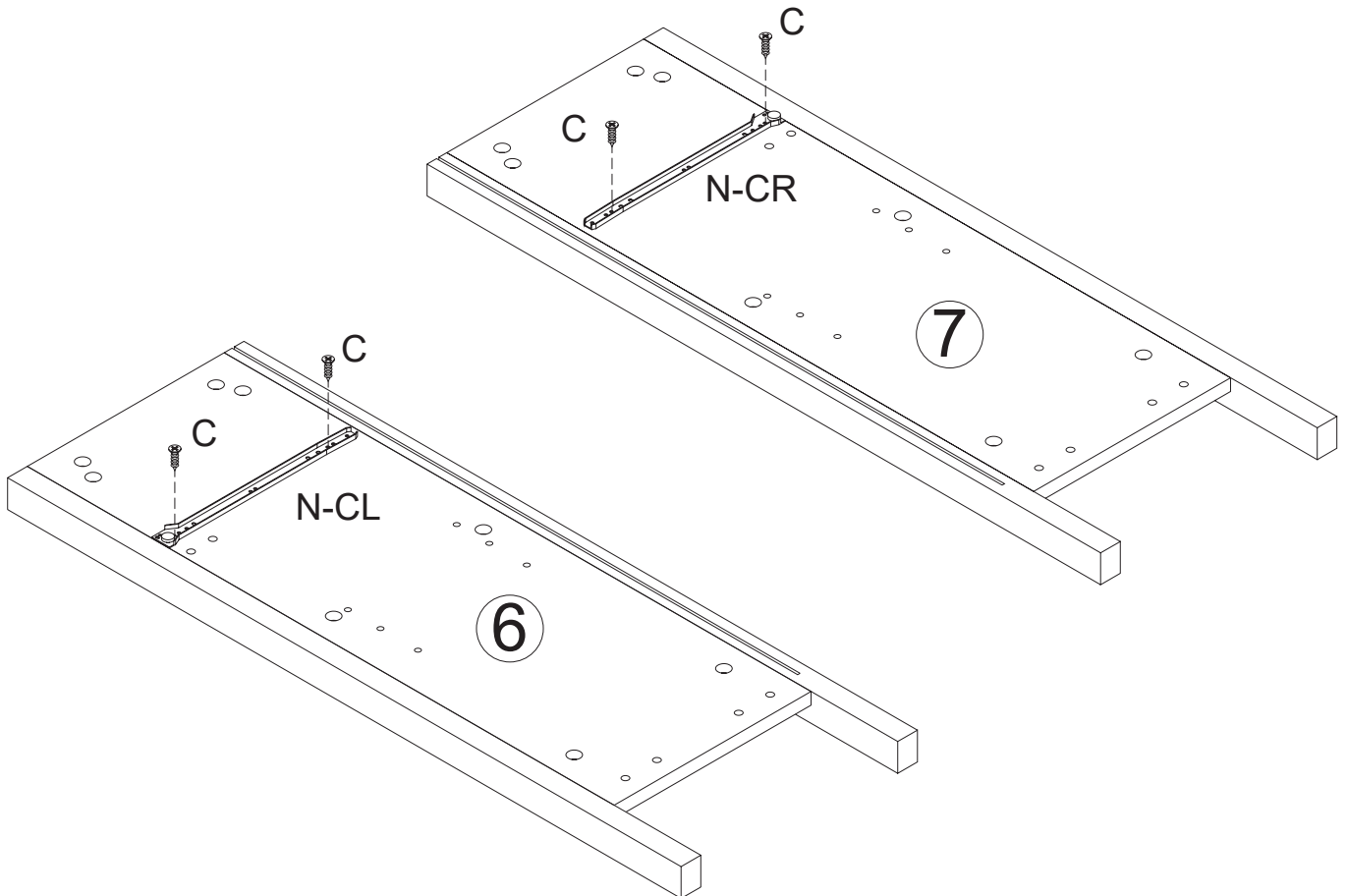
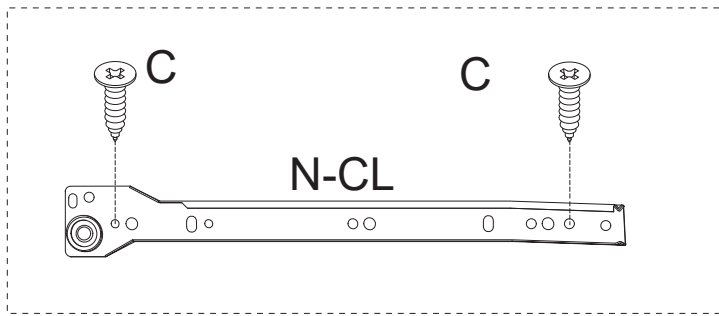
Step 3



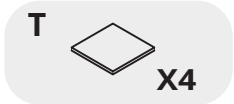
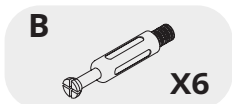
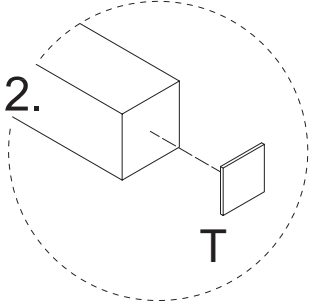
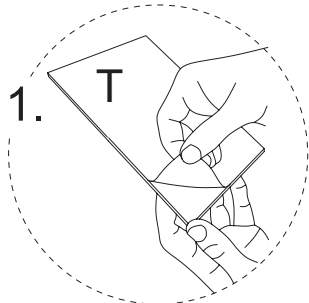
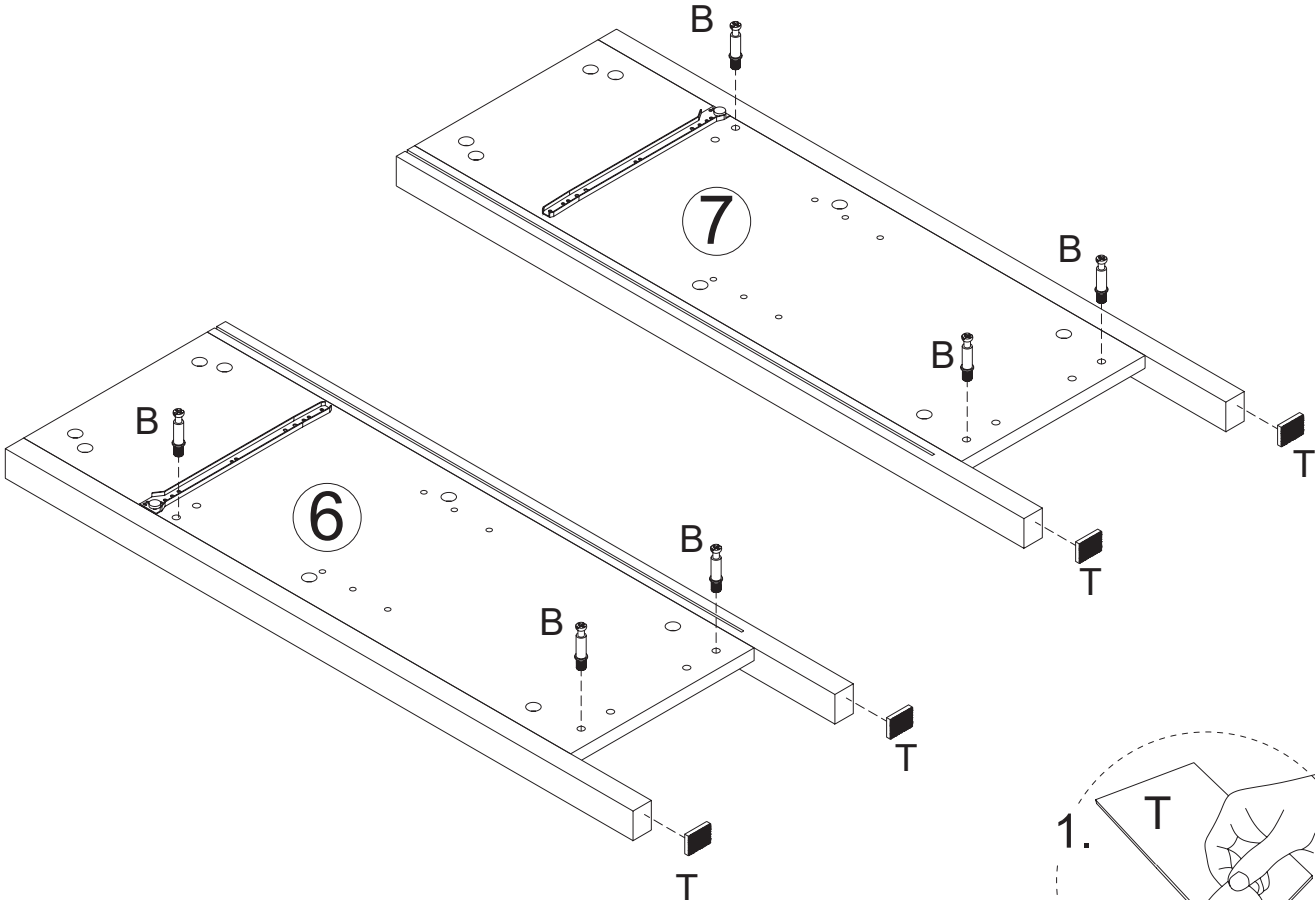
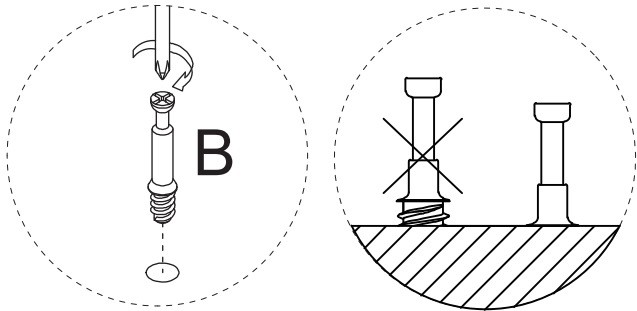
Step 4



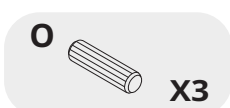
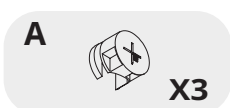
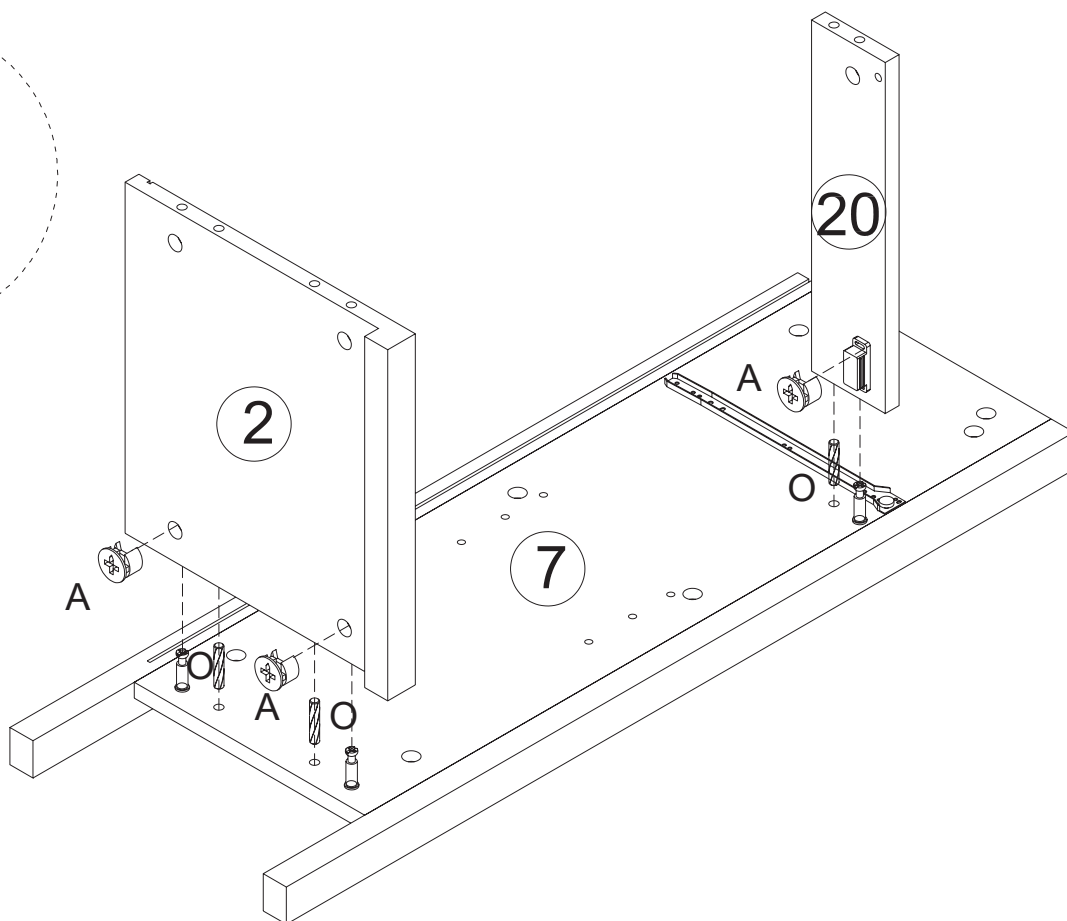
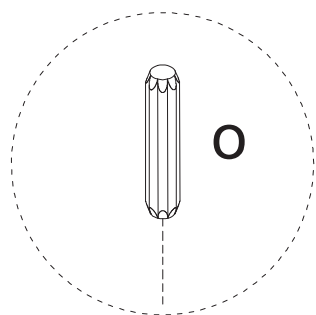
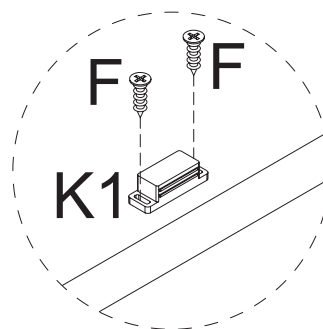
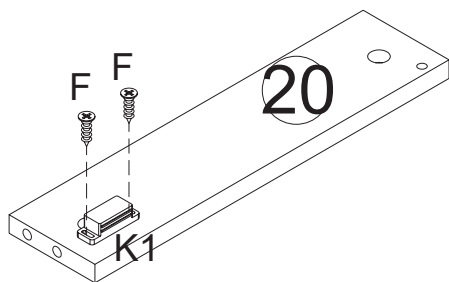
Step 5



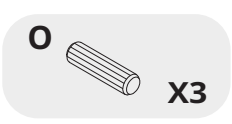
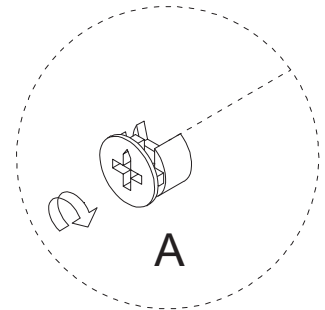
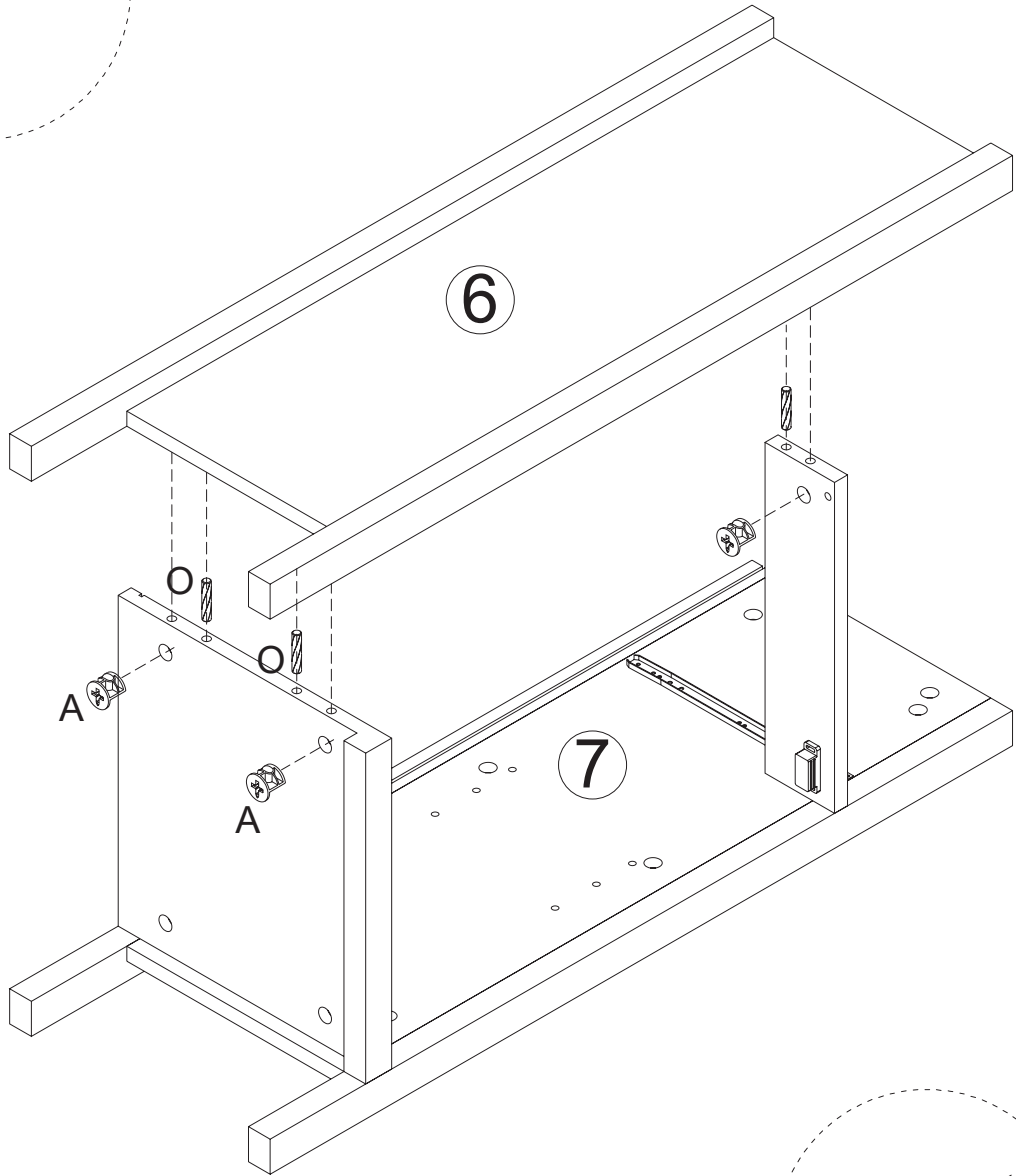
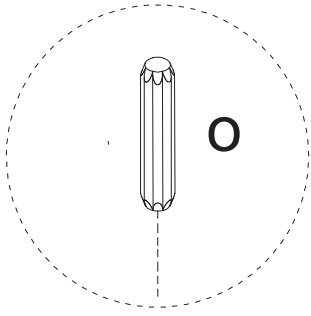
Step 6



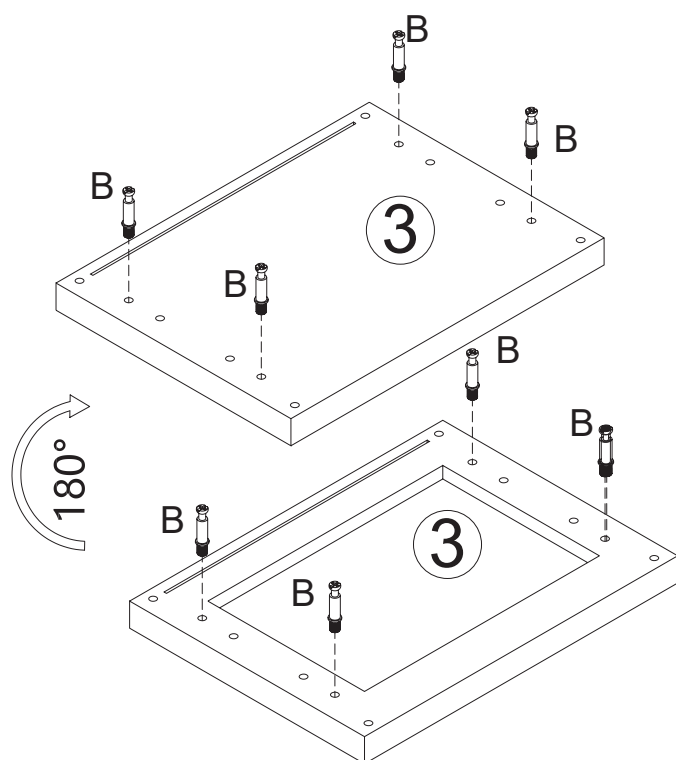
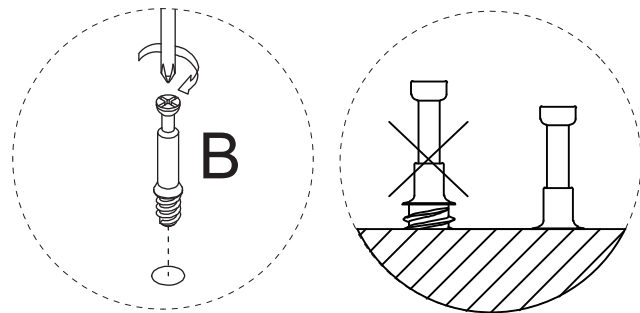
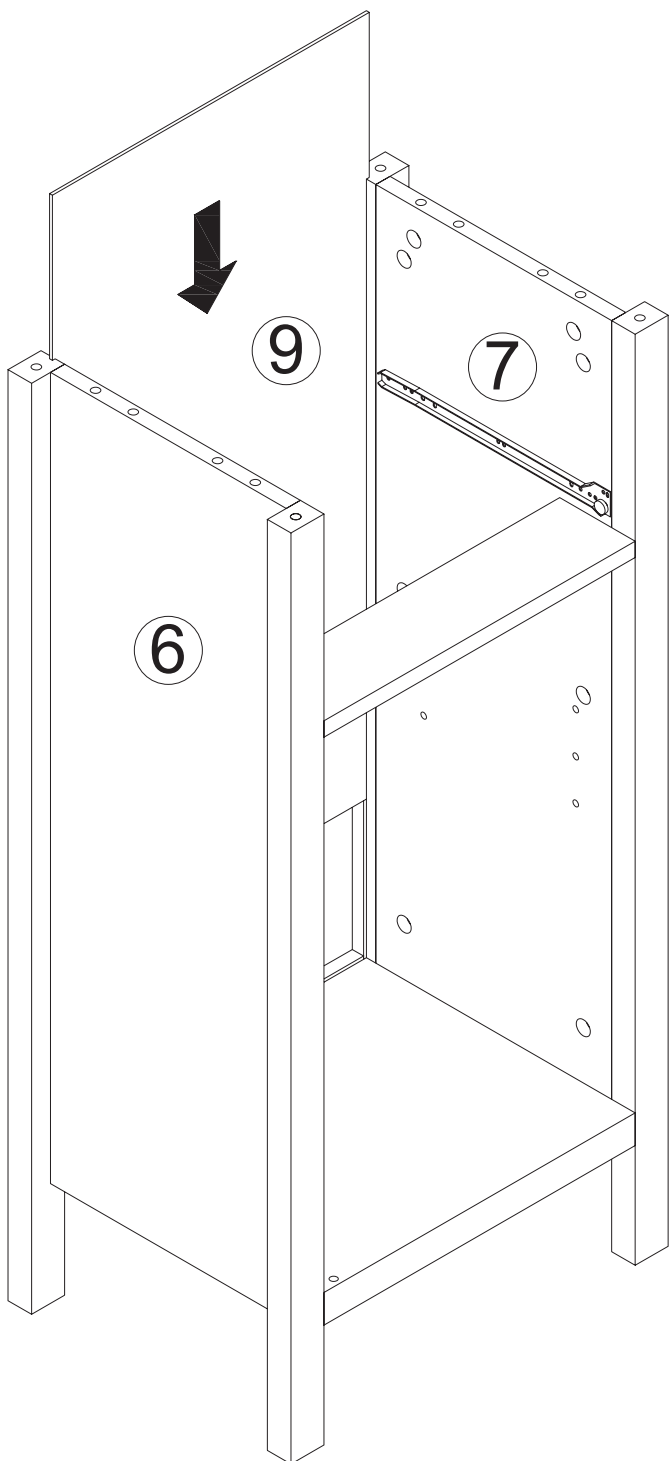
Step 7



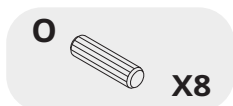
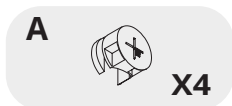
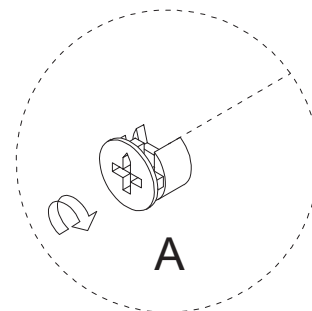
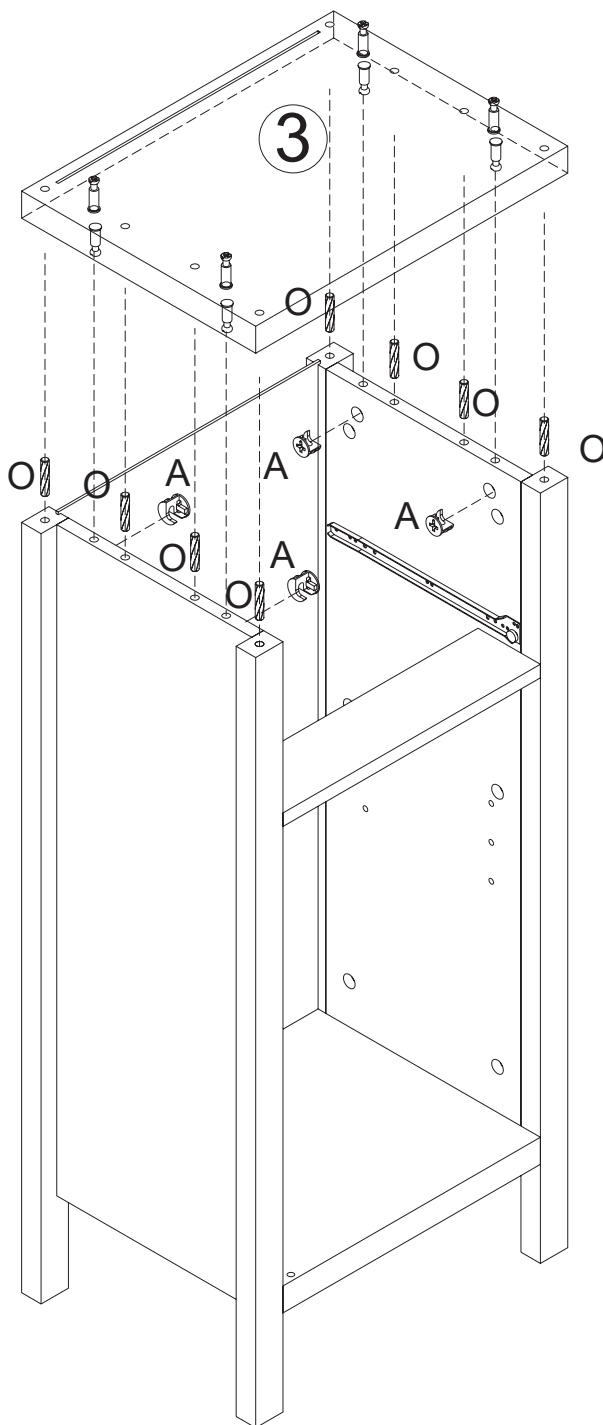
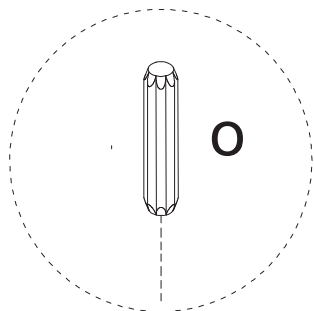
Step 8



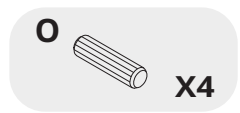
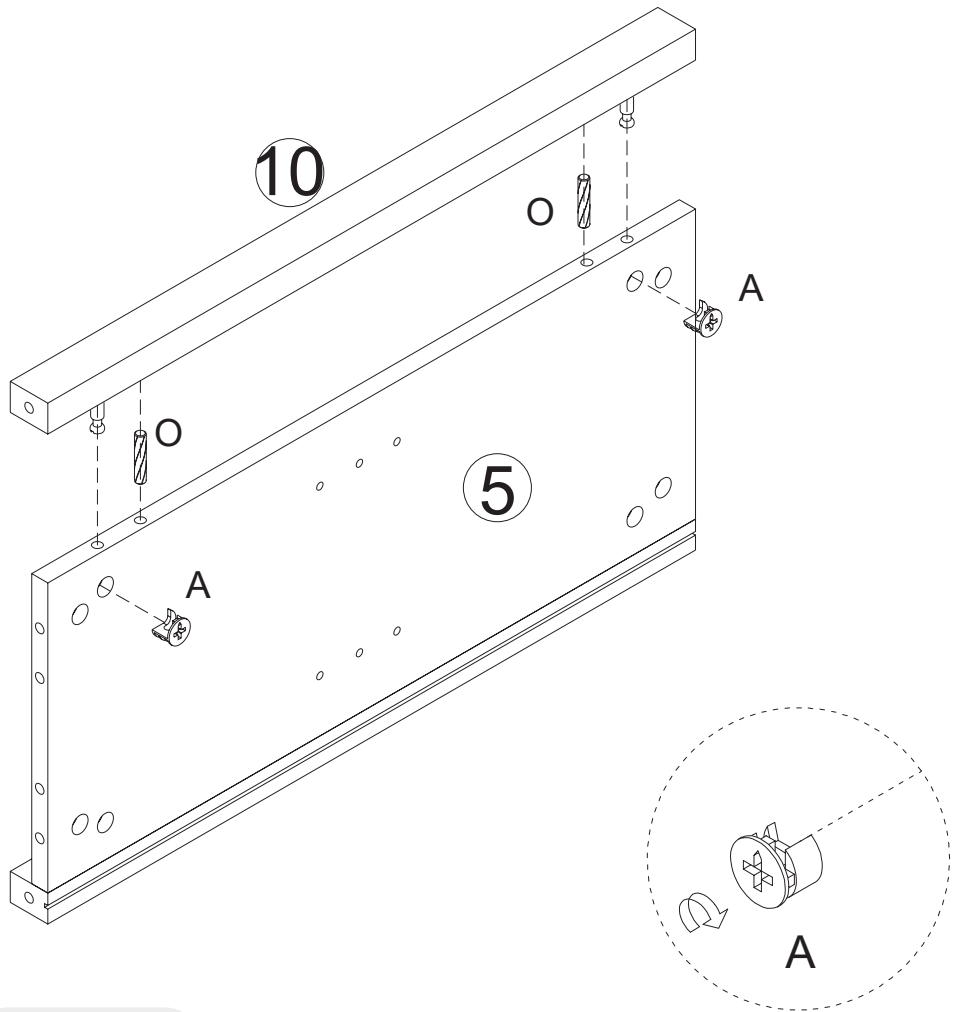
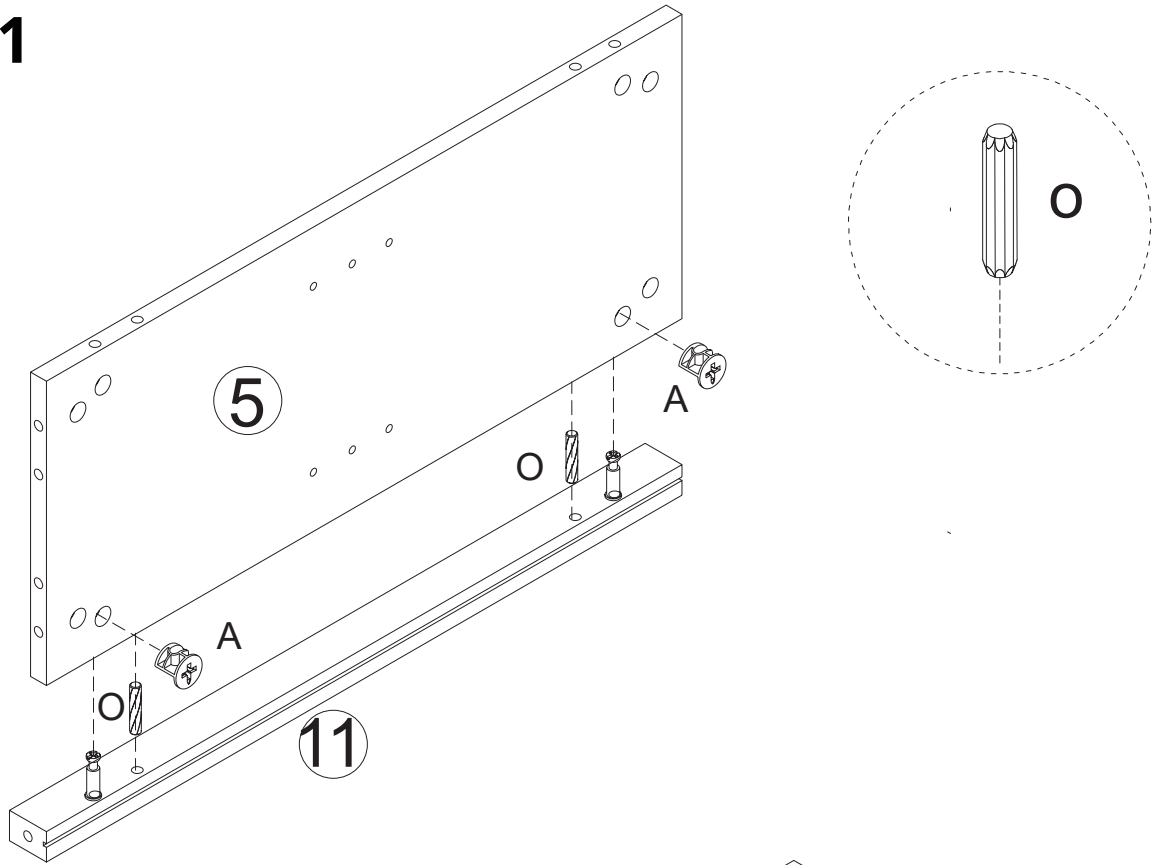
Step 9



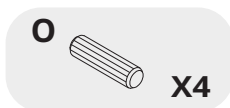
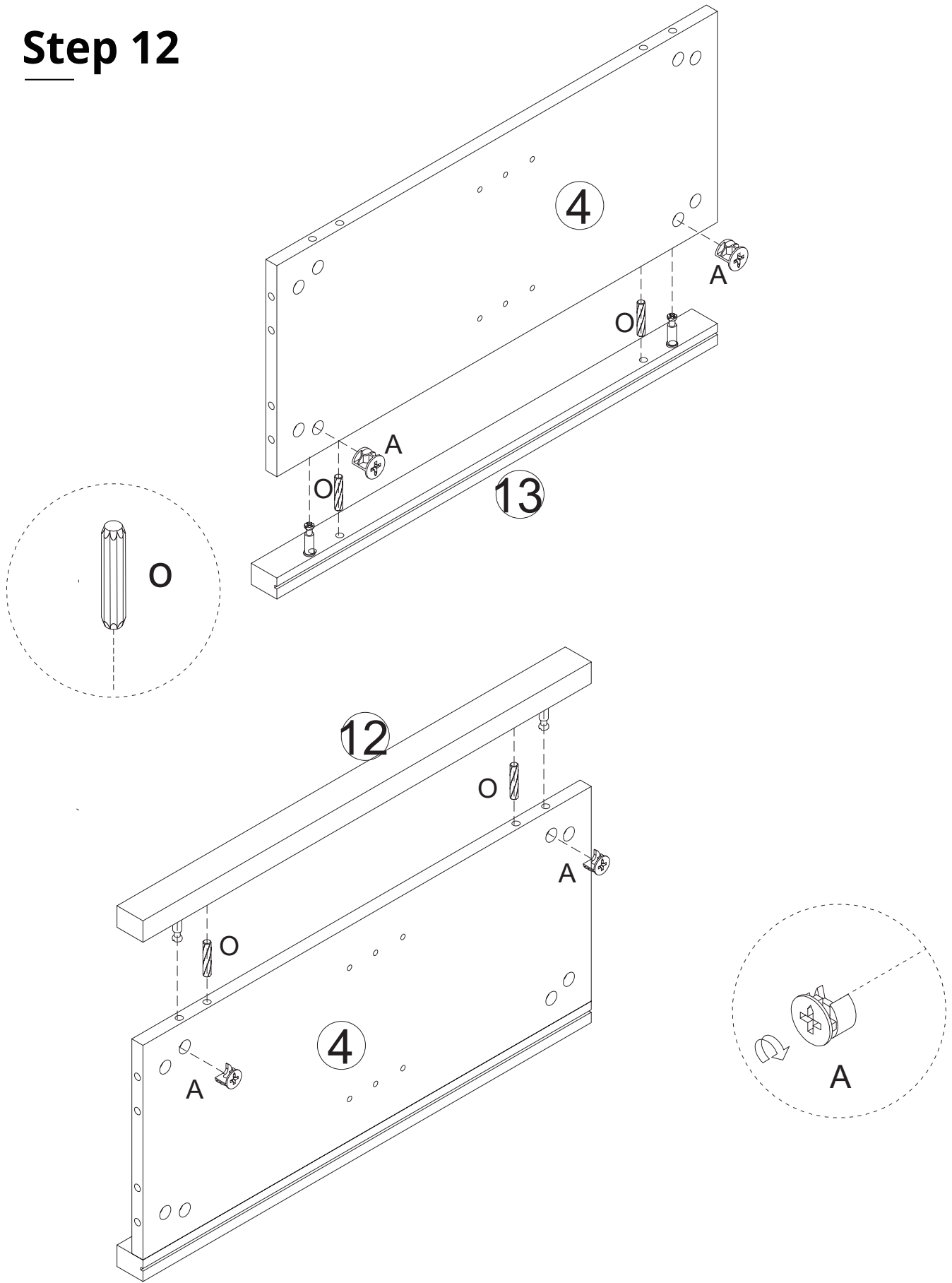
Step 10



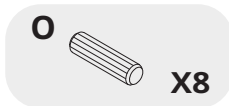
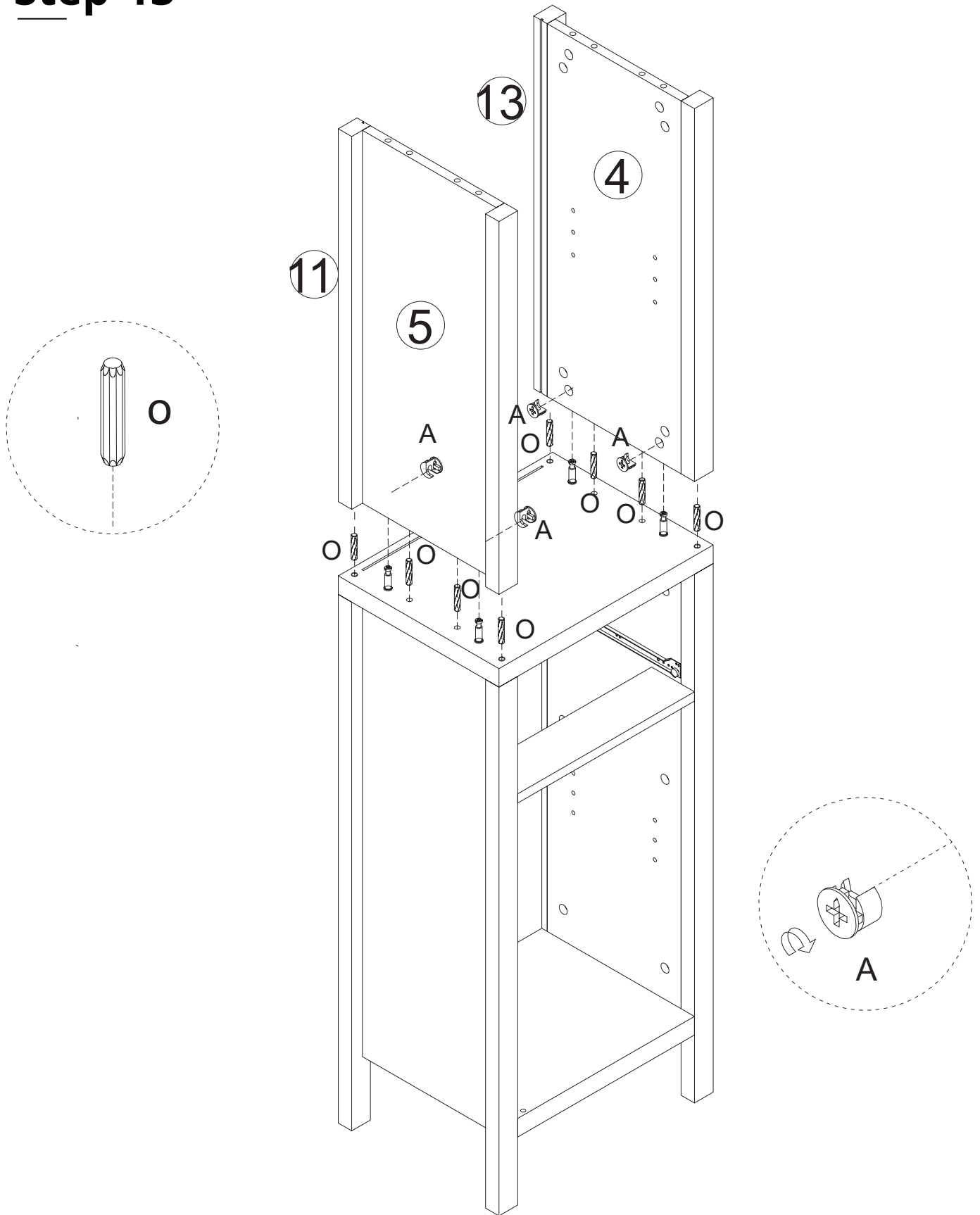
Step 11



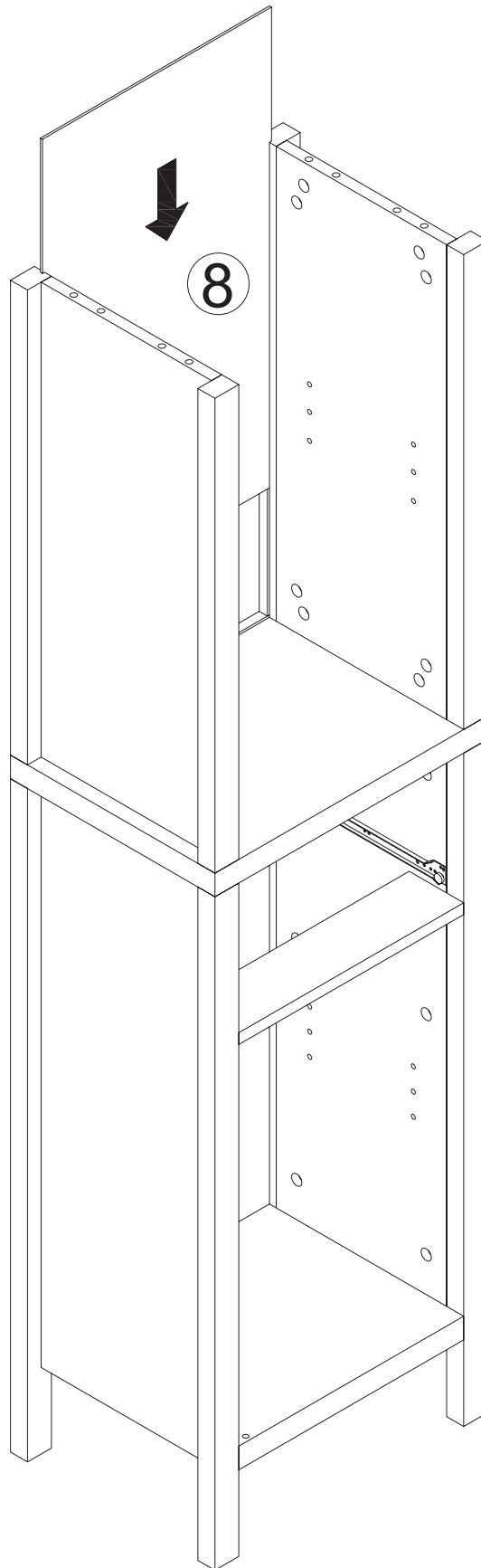
Step 12



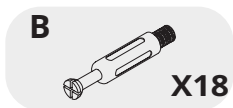
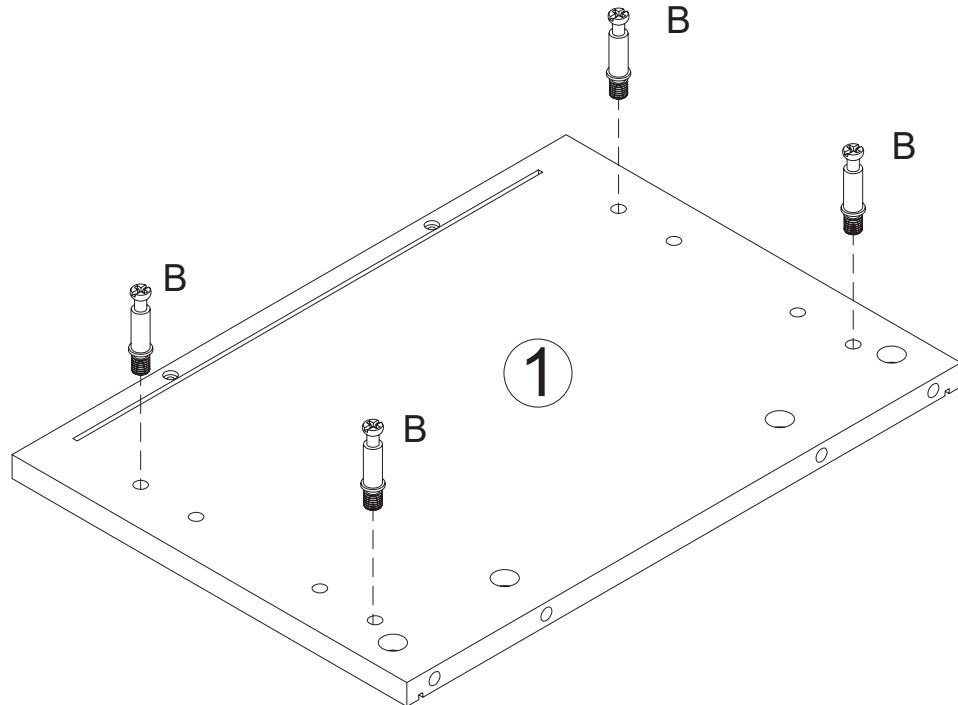
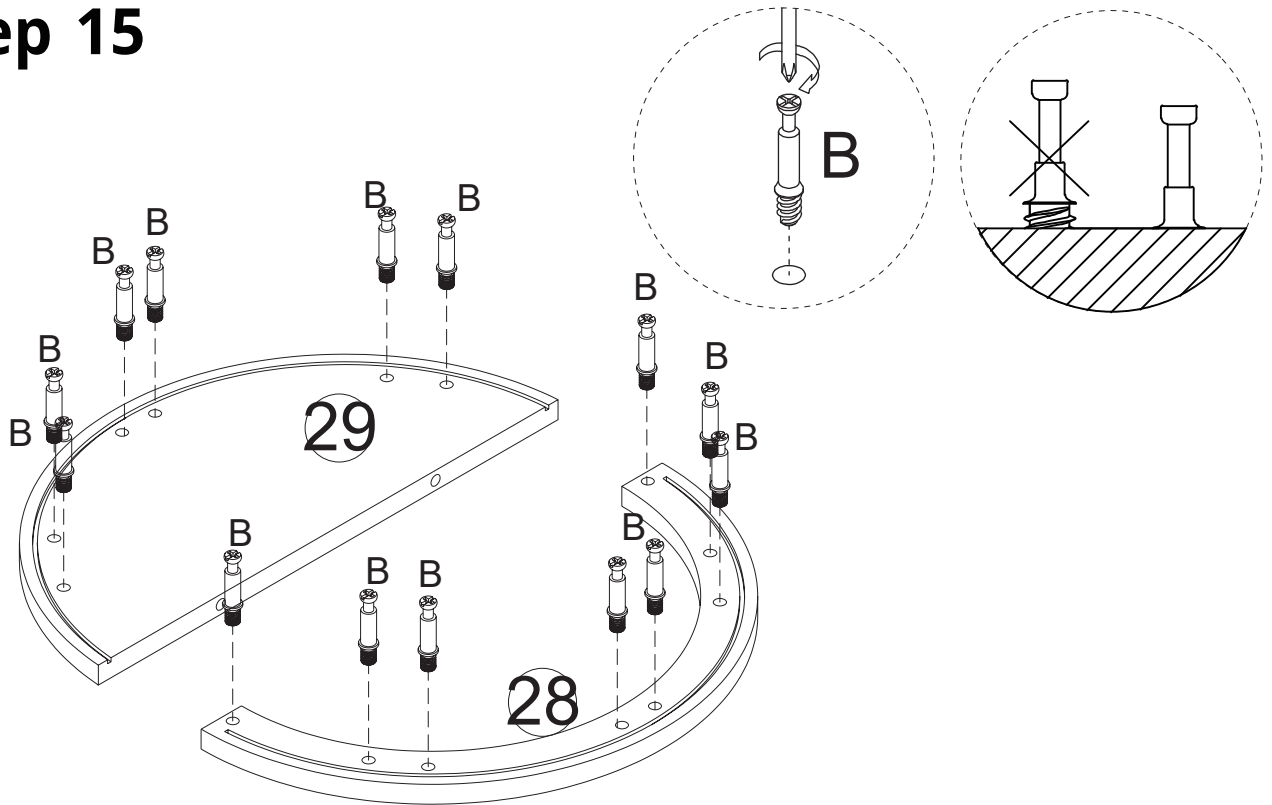
Step 13



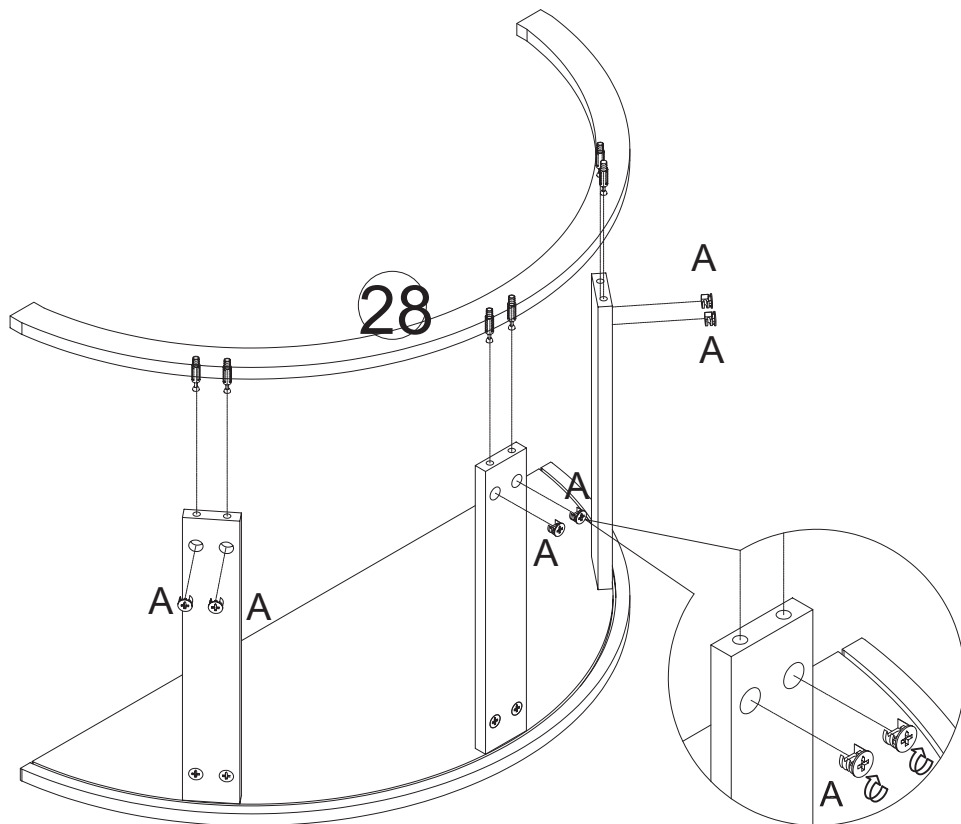
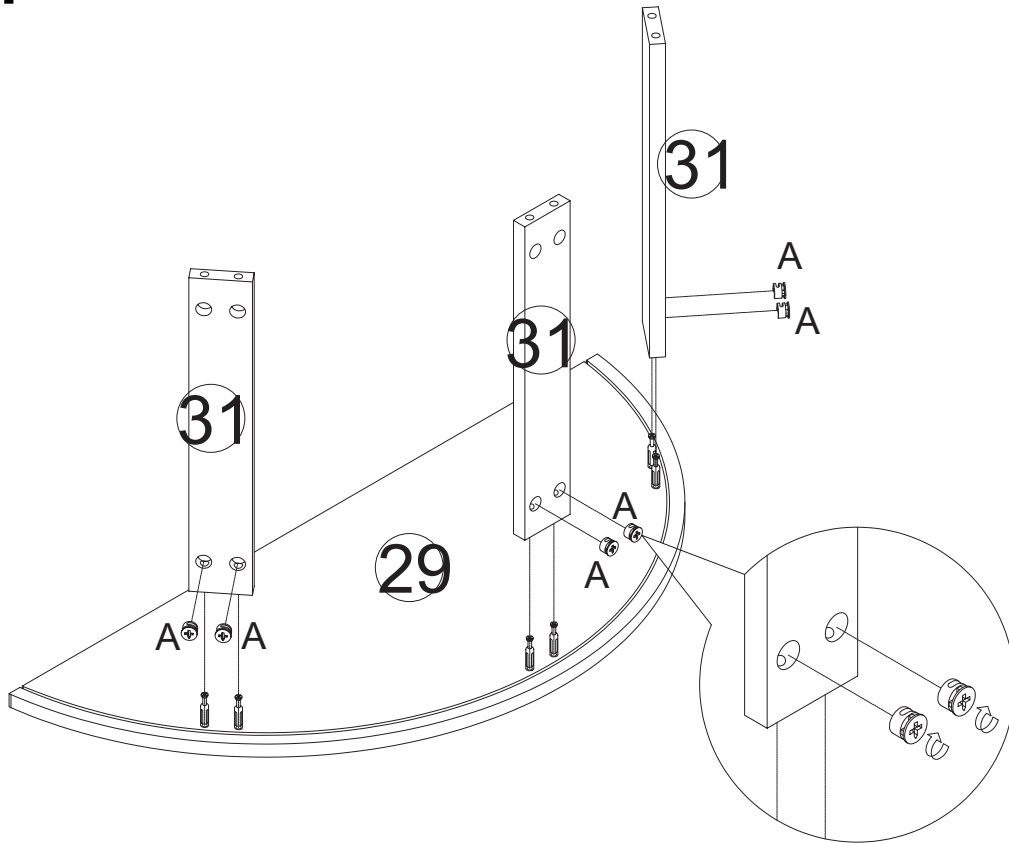
Step 14



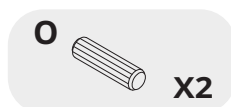
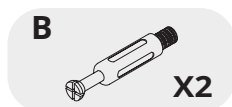
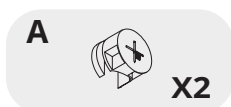
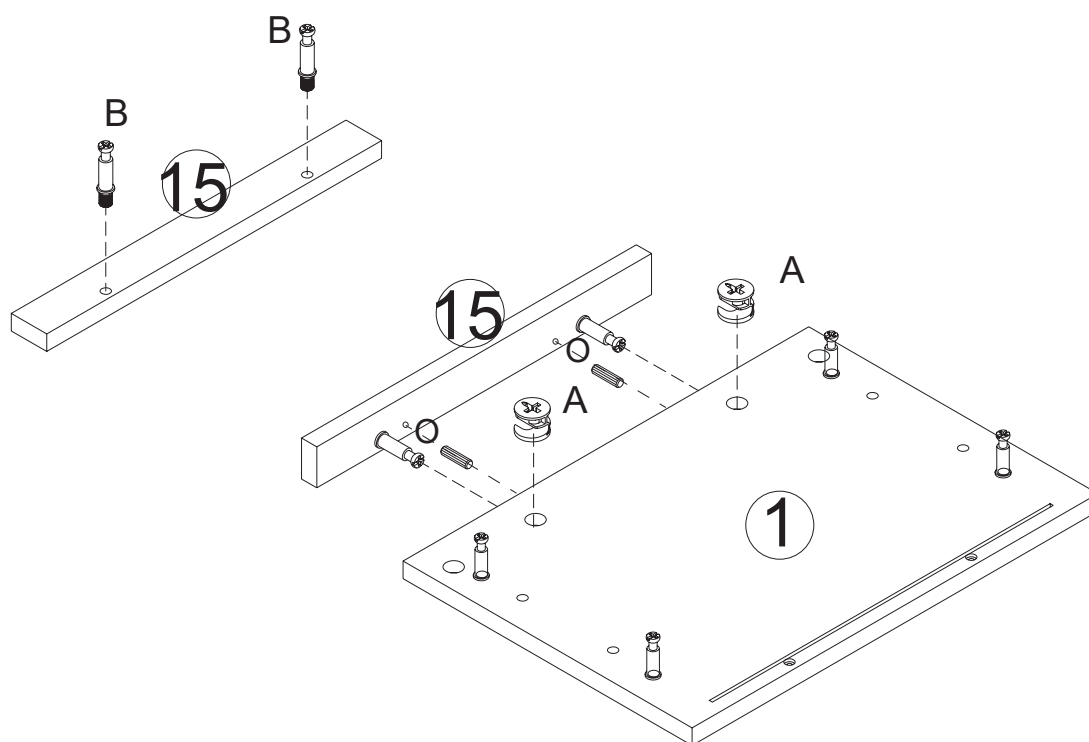
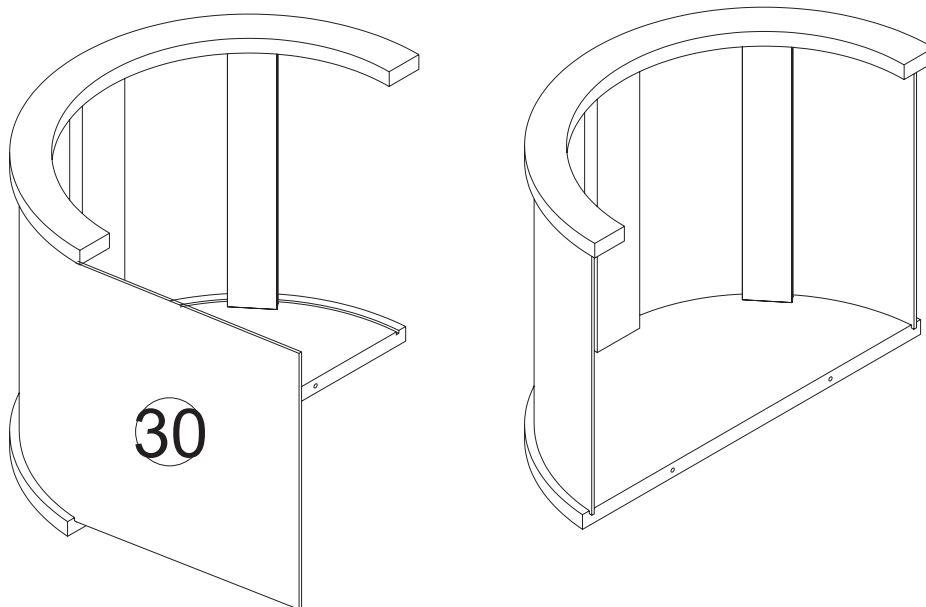
Step 15



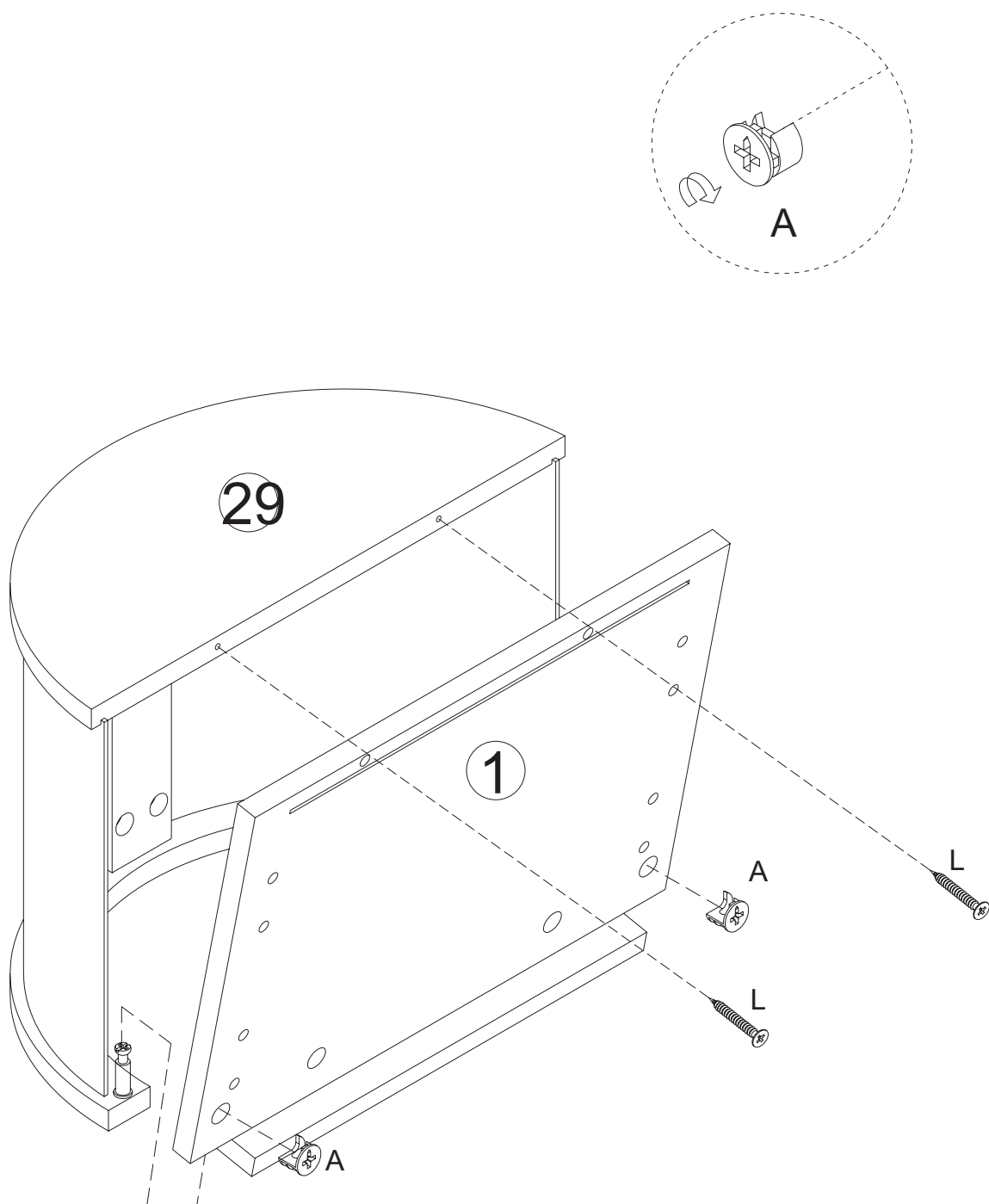
Step 16



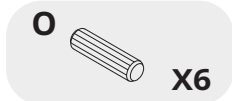
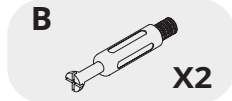
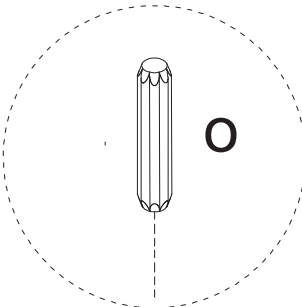
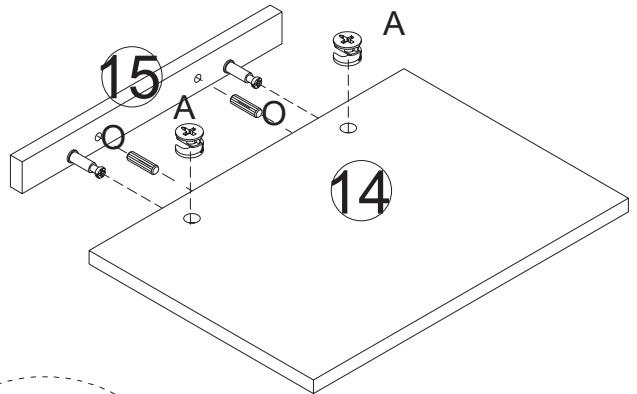
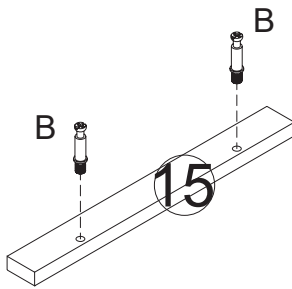
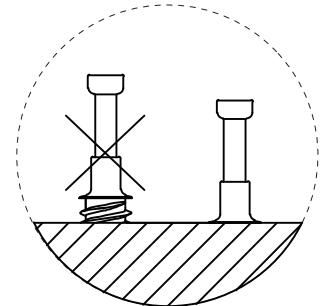
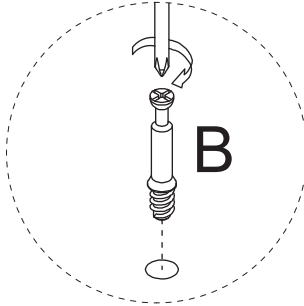
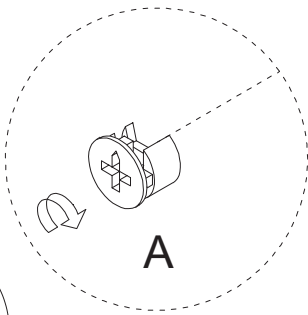
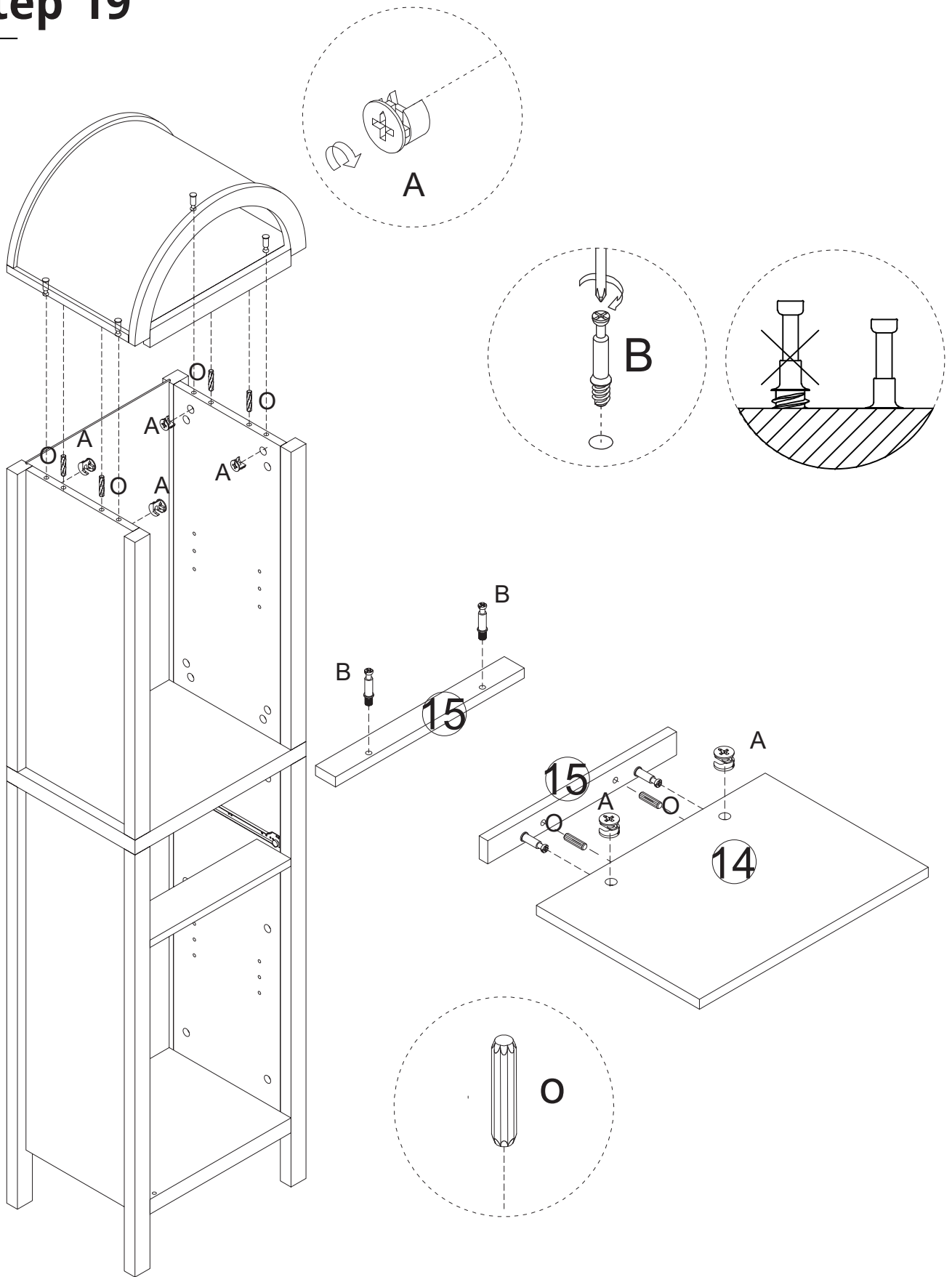
Step 17



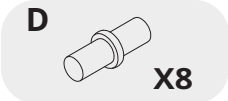
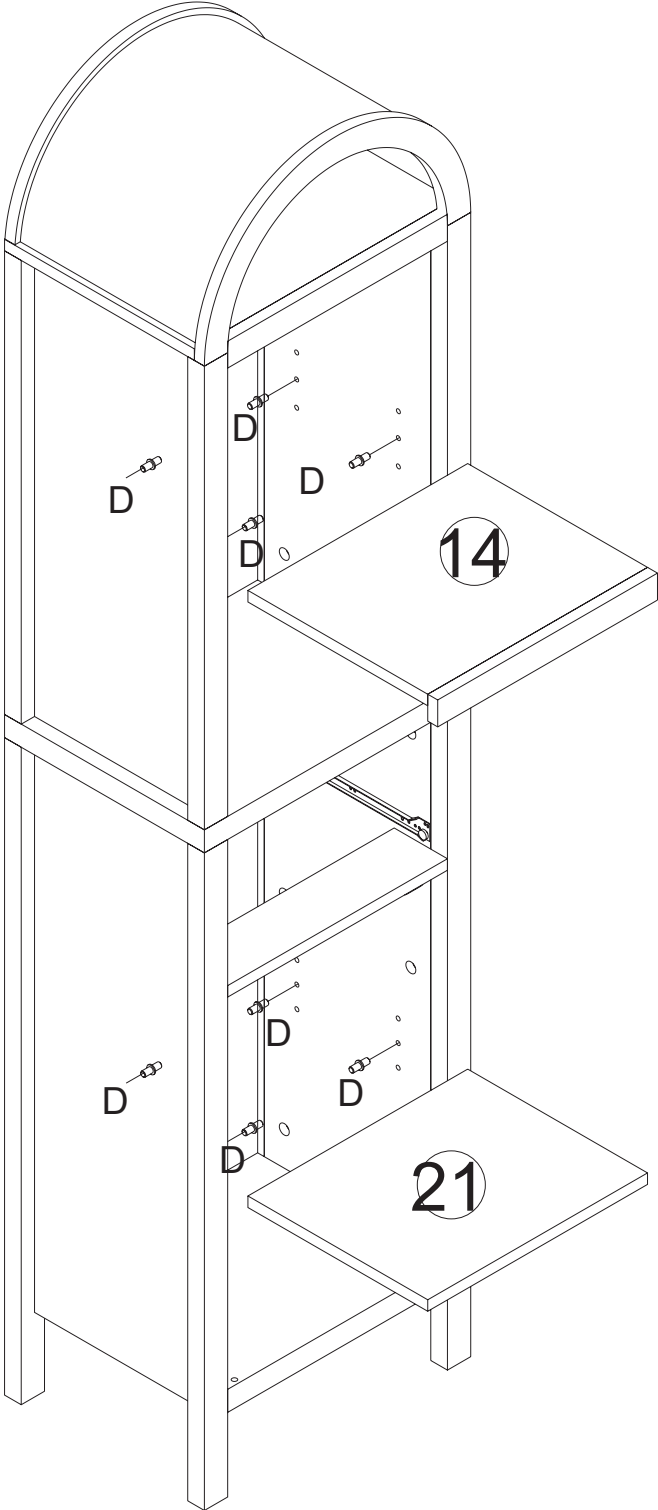
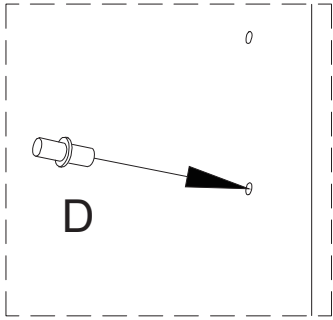
Step 18



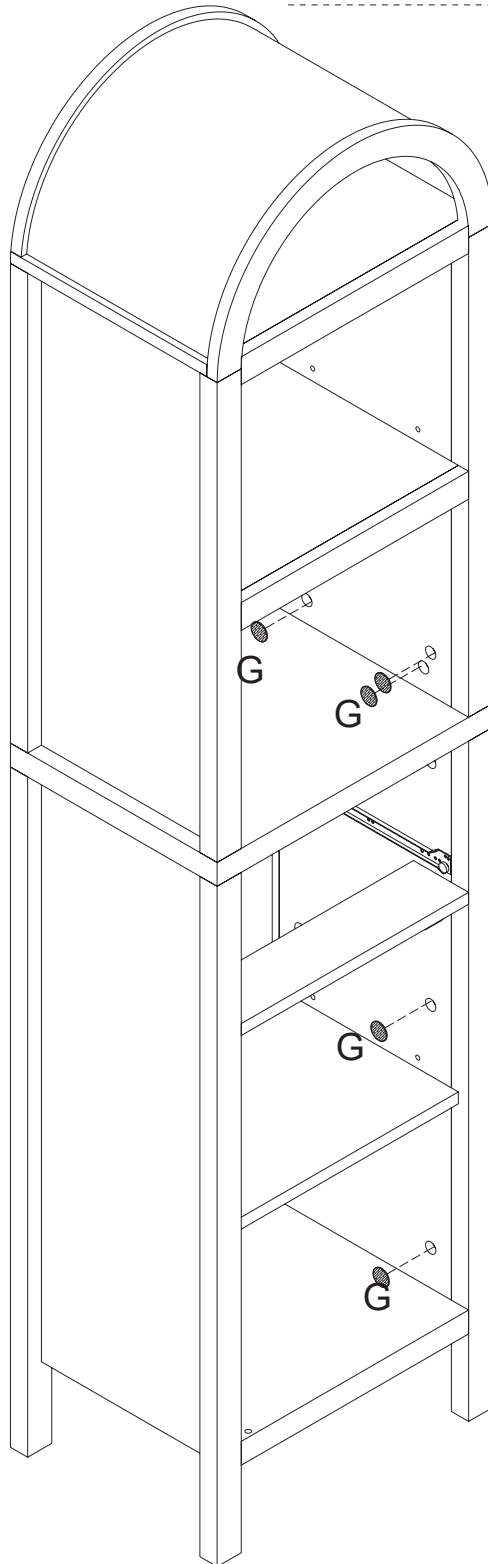
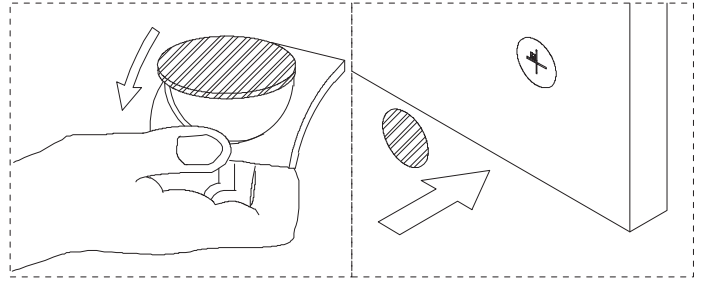
Step 19



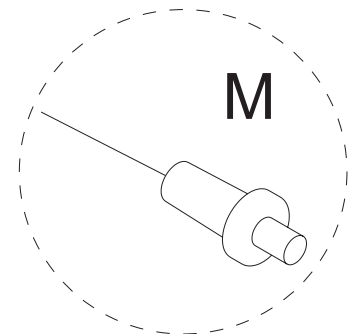
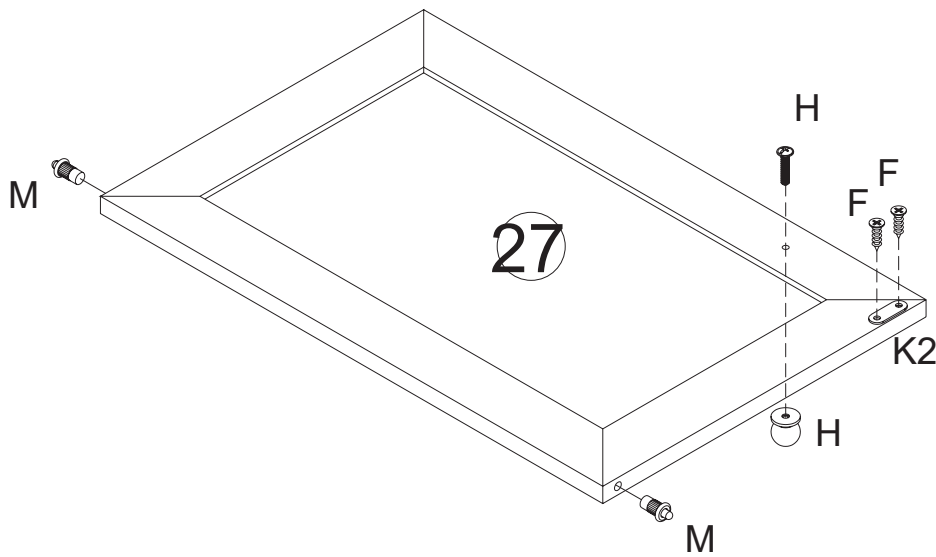
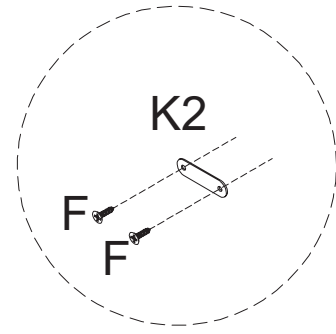
Step 20



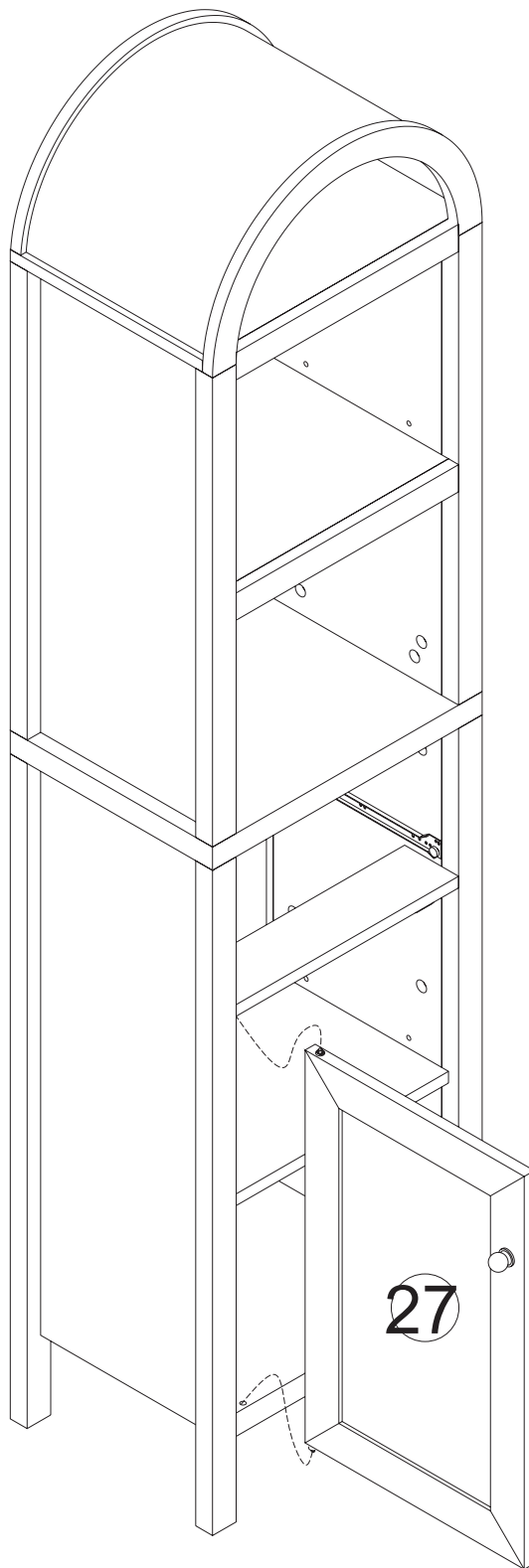
Step 21



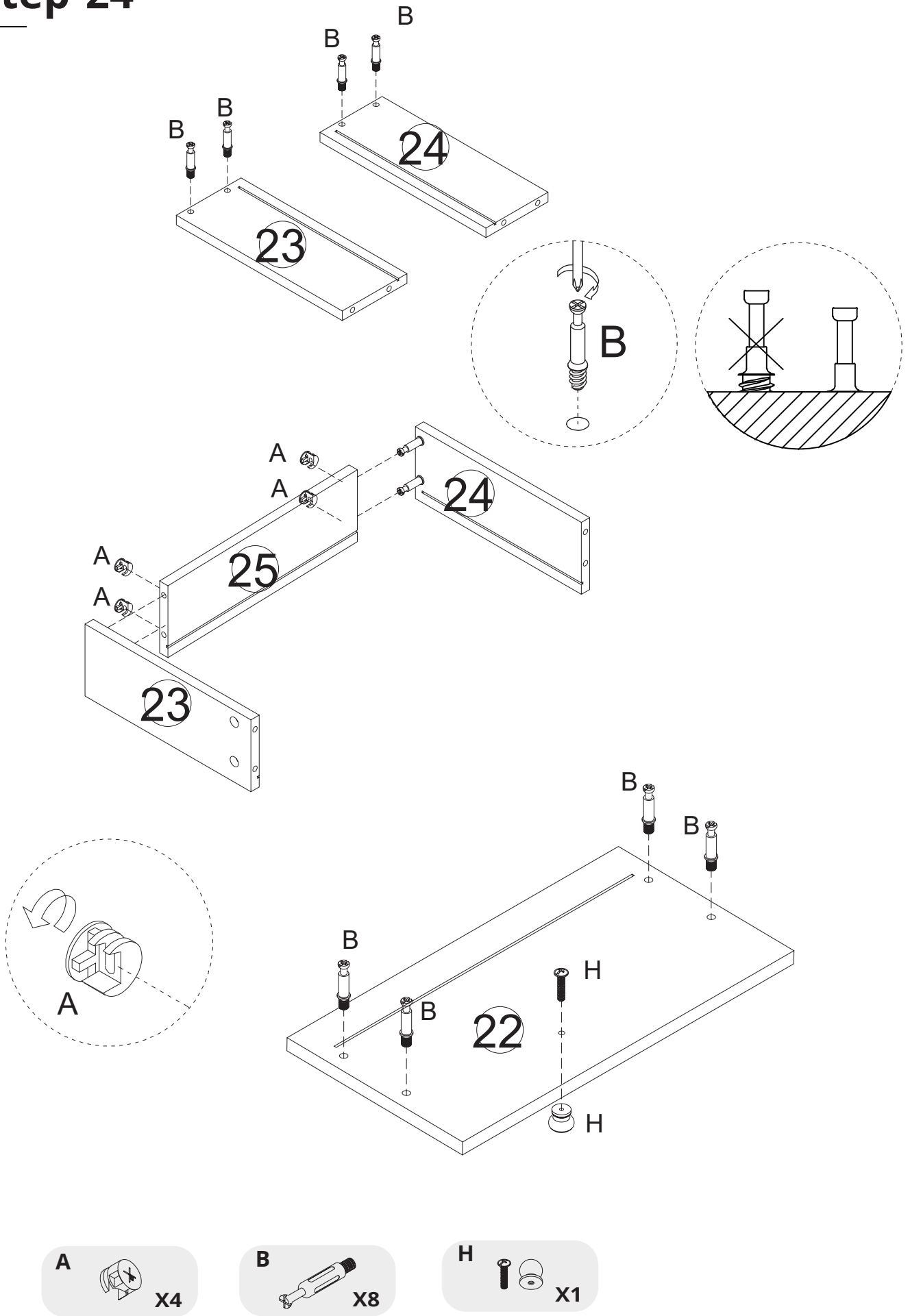
Step 22



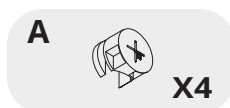
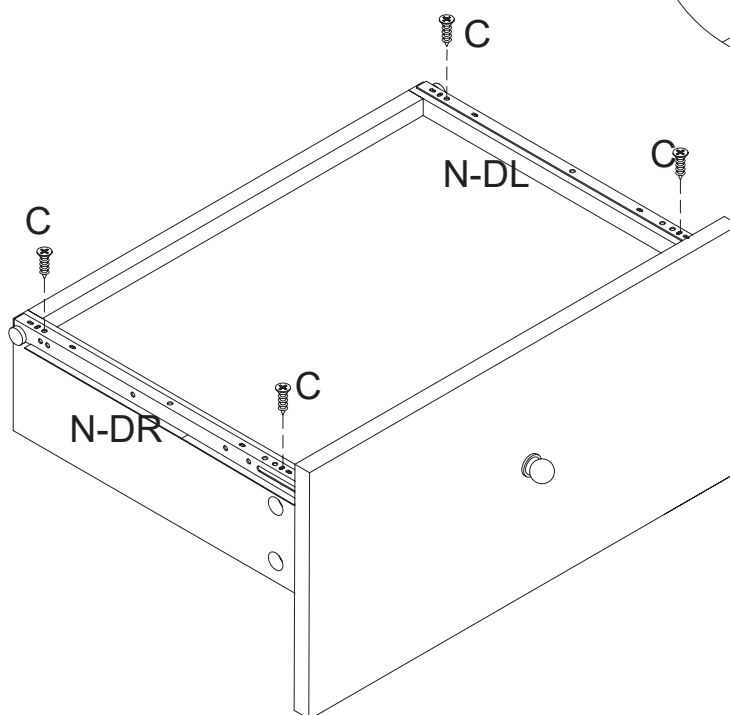
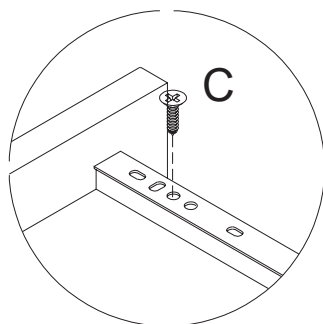
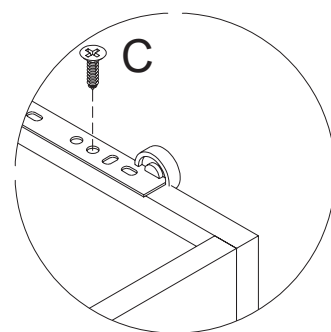
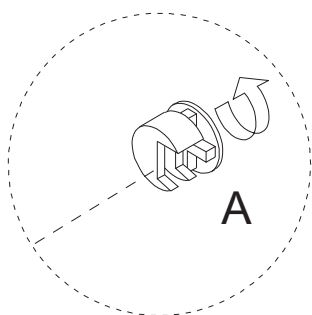
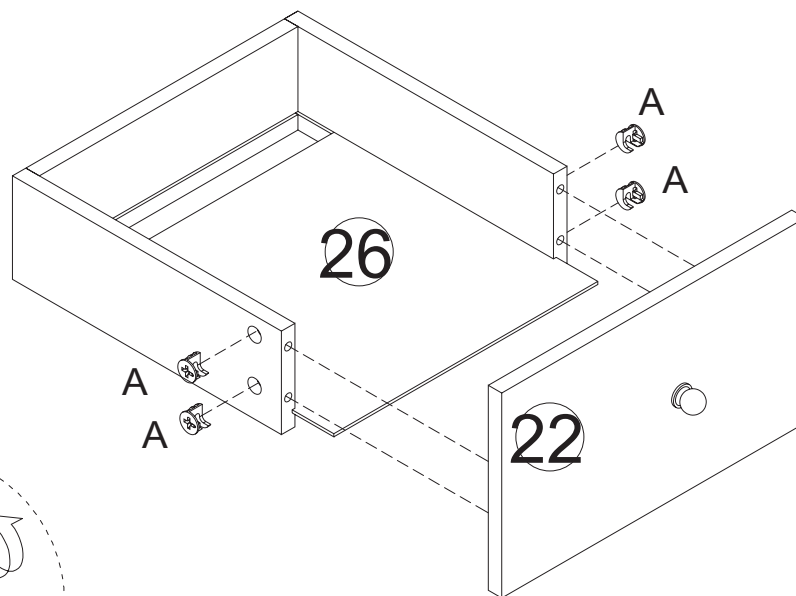
Step 23



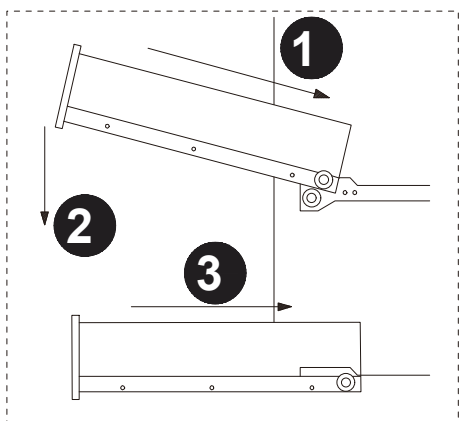
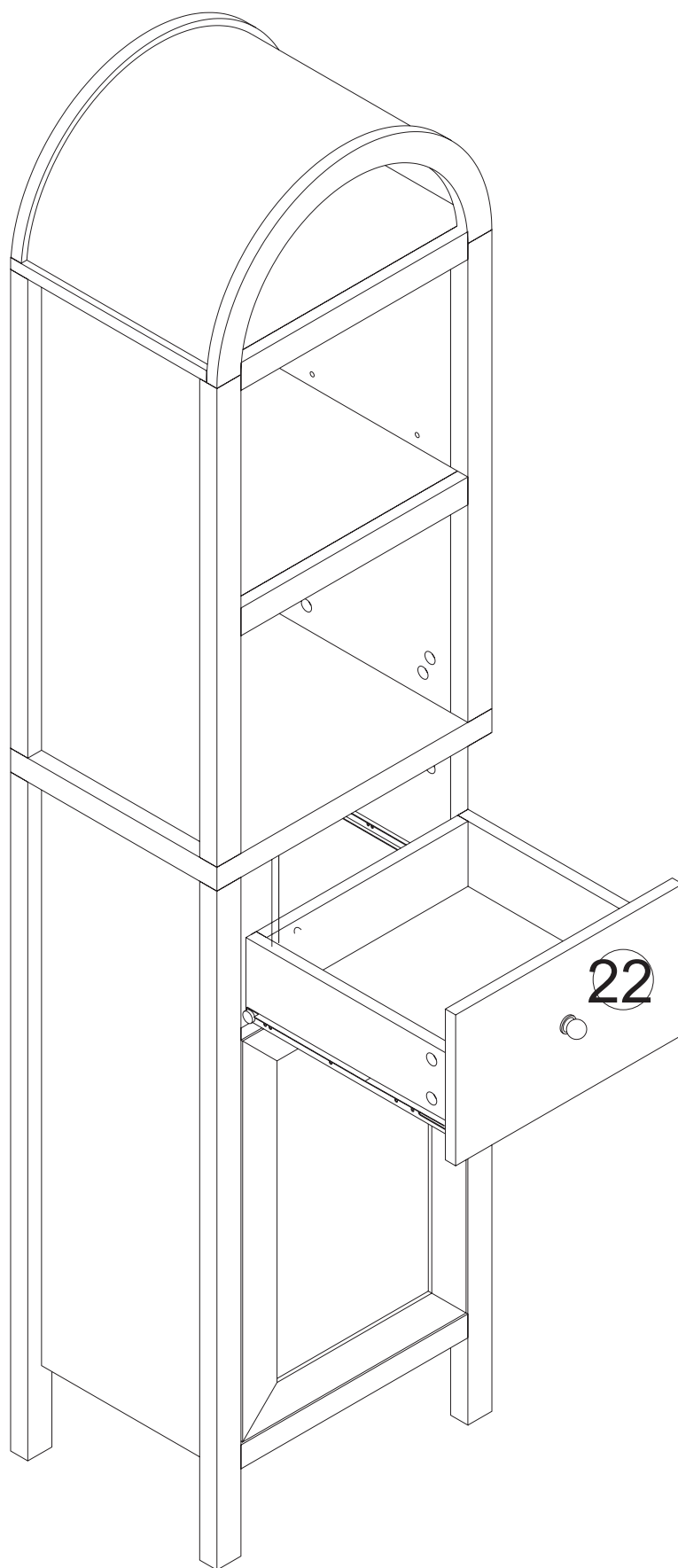
Step 24



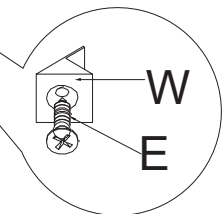
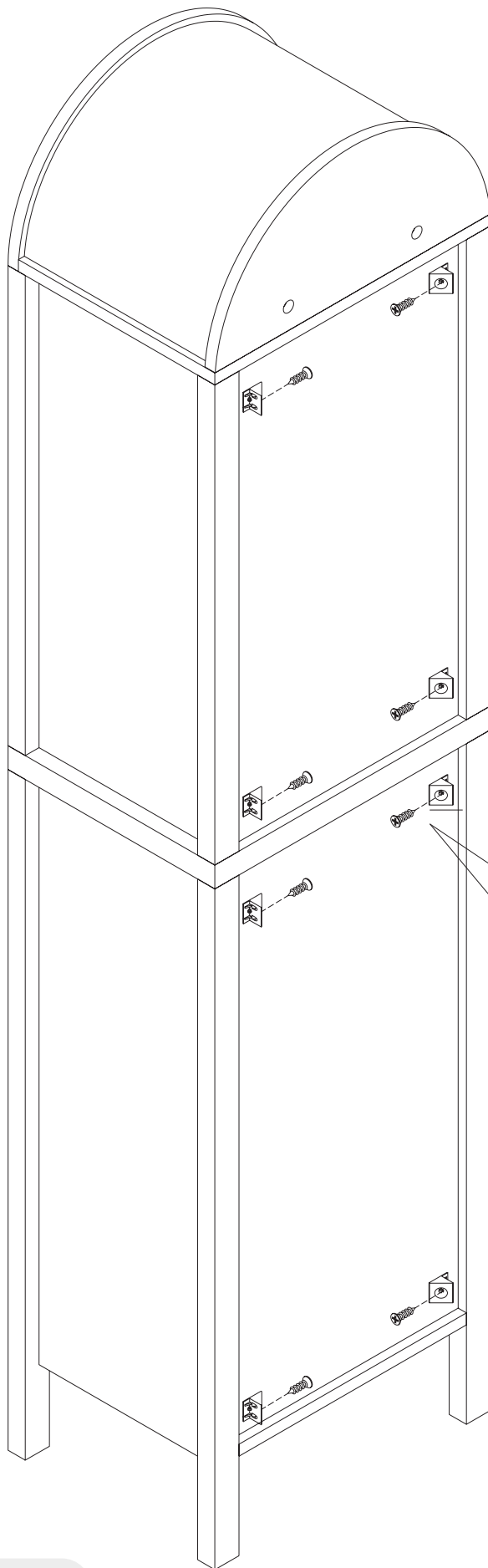
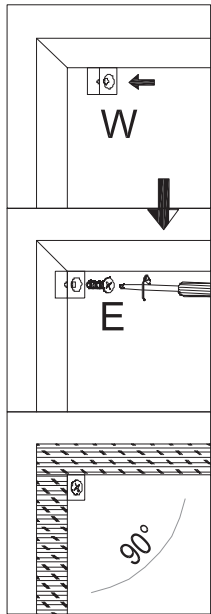
Step 25



Step 26

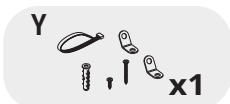
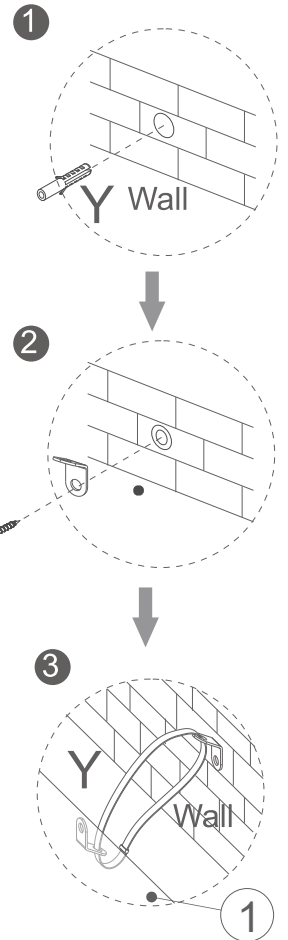
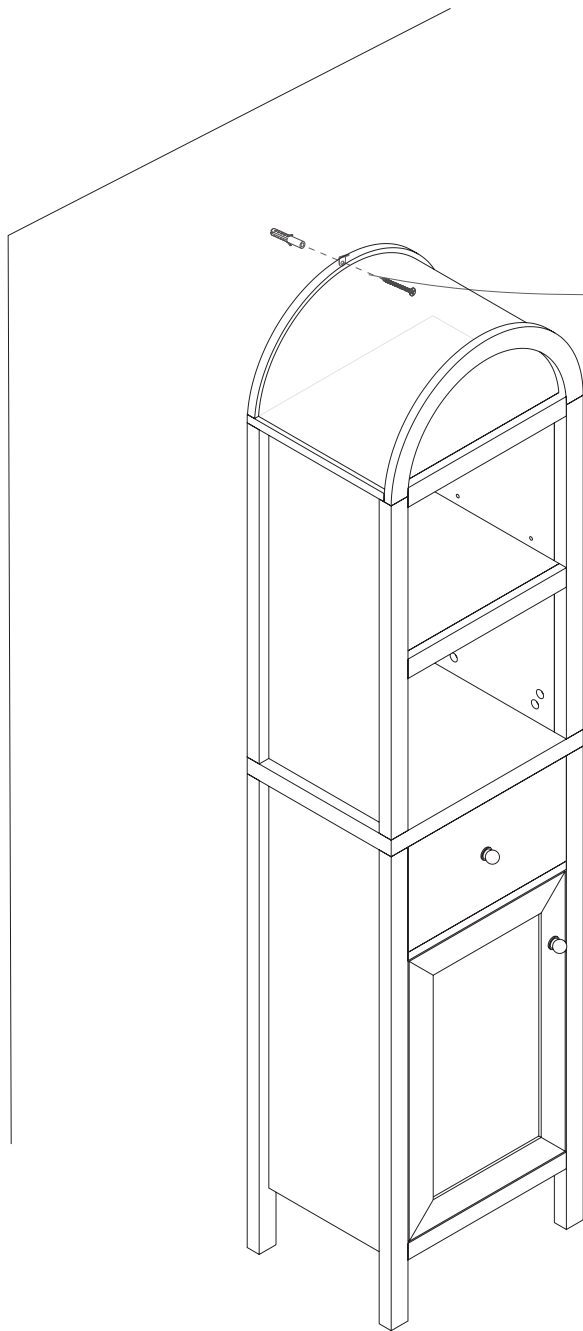


Step 27



Step 28

have included a tipping restraint hardware for this unit. You must install this hardware to prevent accidents or injuries resulting from the unit falling. When properly installed, the restraint can protect against the unexpected tipping of the unit due to small tremors, bumps, or climbing. We strongly recommend mounting this hardware to a wall stud in your unit.



CARE INSTRUCTIONS

If treated with respect and love, your furniture will last you a long time. Each piece requires light maintenance to maximize its longevity.

Here are a few quick tips before using this product:

- The recommended weight limit is 100 lbs for each storage compartment.
- Avoid uneven weight distribution for a long time as it may cause damage to the product's shape.
- Check and tighten the camlock and screw periodically, as it may lose over time.

How to take care of it?

- Avoid direct sunlight or use curtains or blinds to limit sun exposure to the product.
- Clean the product regularly with a dry, soft cloth.
- Avoid using the abrasive or liquid cleanser.
- Spillage may damage the surface. Clean immediately with a dry cloth.
- We recommend using placemats or coasters underneath glasses, cups, bowls, or plates to prevent scratches to the table surface.

Follow the care instructions and look after your furniture, in return, your furniture will look after you.