

# ASSEMBLY INSTRUCTIONS

## HARDWARE

Ax4



Bx4

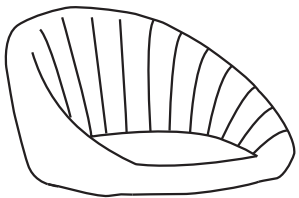


Cx1

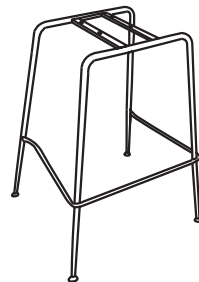


## PARTS

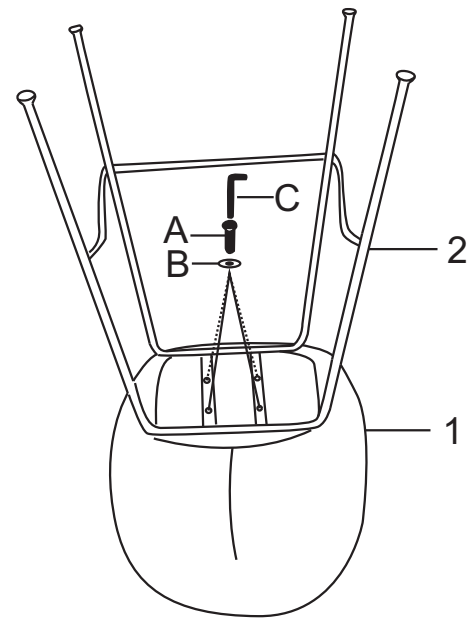
1x1



2x1



(1)



(2)

