
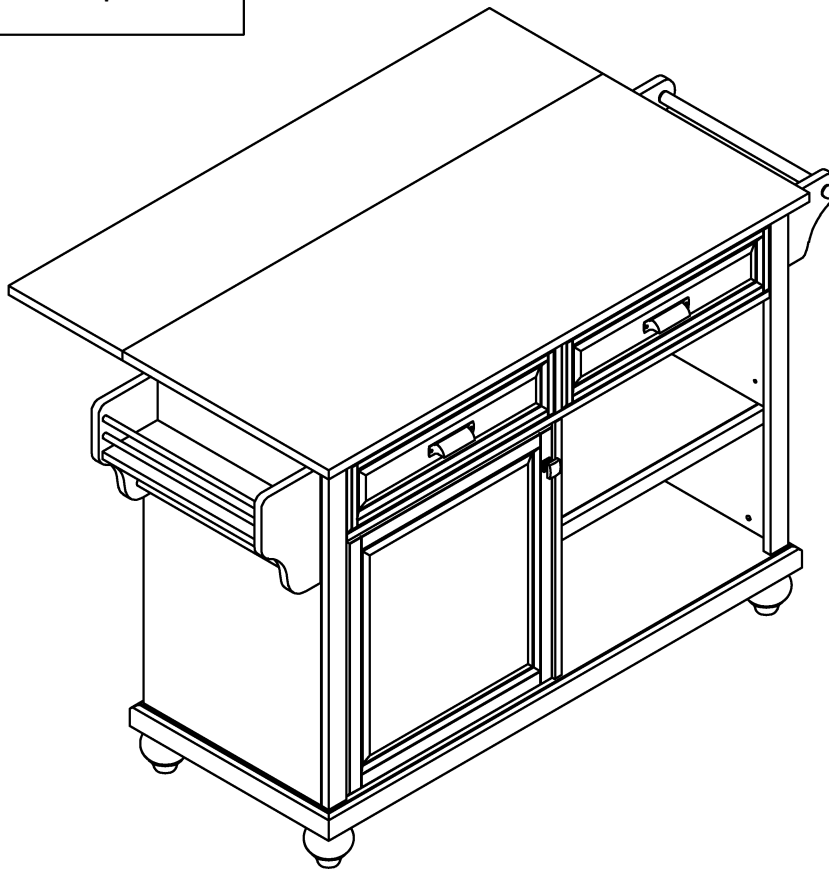


Assembly Instruction

KITCHEN ISLAND CART

 WARNING	Please do not stand or climb on the top.
---	--



WARNING

Caution: Assembly will require at least 2 adults. Assemble on soft surfaces to prevent product finish from any damage. DO NOT use power tools.

CARE AND CLEANING

DO NOT scratch or chip the finish. DO NOT use abrasive chemicals for cleaning. Clean with mild soap on a soft rag. Rinse and dry thoroughly.

MAINTENANCE

Check bolts/screws periodically and tighten if necessary. WARNING: Should this product become damaged, and/or components are broken or missing, DO NOT USE.

Congratulations on your latest purchase .

Now what? Don't start sweating over this box of parts. This will be easy. We did the hard work for you.

All you need to do is follow our simple instructions and you'll be on your way to transforming your room in no time.

Good luck – though we're confident you won't need it.

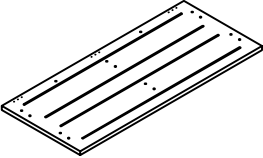
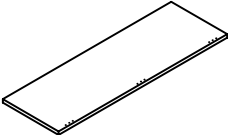
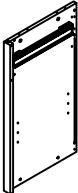
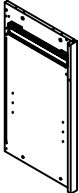
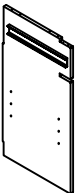
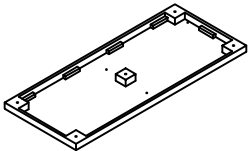
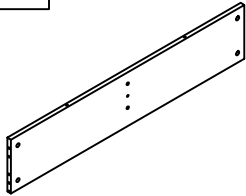
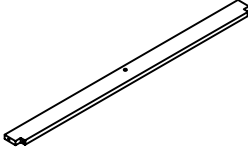
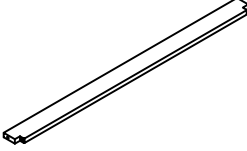
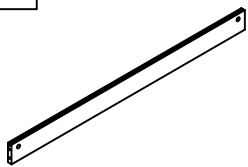
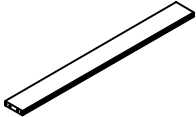

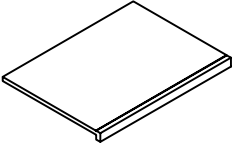


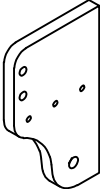

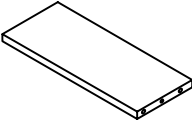
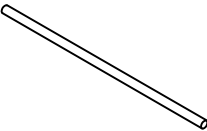
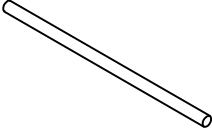
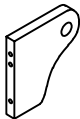
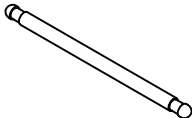
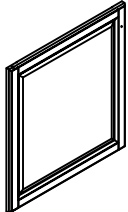
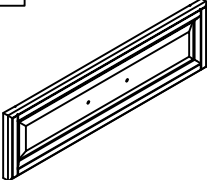
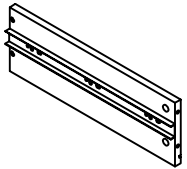
before you begin

1. Check for damaged or missing parts.
2. Use the carton as a work surface to prevent product damage during assembly.
3. Gather all tools prior to assembly.

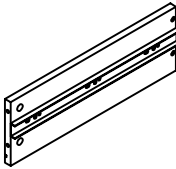
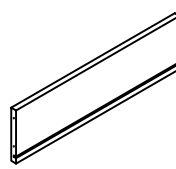
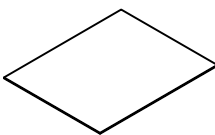
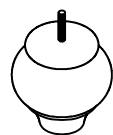
tools needed (not included)



PART LIST

<p>A</p> 	<p>B</p> 	<p>C</p> 	<p>D</p> 	<p>E</p> 
<p>TOP FRAME 1 PC</p>	<p>DROP-DOWN LEAF 1 PC</p>	<p>LEFT SIDE PANEL 1 PC</p>	<p>RIGHT SIDE PANEL 1 PC</p>	<p>MIDDLE CLAPBOARD 1 PC</p>
<p>F</p> 	<p>G</p> 	<p>H</p> 	<p>I</p> 	<p>J</p> 
<p>BOTTOM PANEL 1 PC</p>	<p>BACK UPPER RAIL 1 PC</p>	<p>FRONT UPPER RAIL 1 PC</p>	<p>FRONT LOWER RAIL 1 PC</p>	<p>BACK LOWER RAIL 1 PC</p>
<p>K</p> 	<p>L</p> 	<p>M</p> 	<p>N</p> 	<p>O</p> 
<p>BACK MIDDLE RAIL 2 PCS</p>	<p>BACK PANEL 3 PCS</p>	<p>ADJUSTABLE SHELF 2 PCS</p>	<p>LEAF LEFT SUPPORT 1 PC</p>	<p>LEAF RIGHT SUPPORT 1 PC</p>
<p>P</p> 	<p>Q</p> 	<p>R</p> 	<p>S</p> 	<p>T</p> 
<p>LEFT EAR SIDE PANEL 1 PC</p>	<p>RIGHT EAR SIDE PANEL 1 PC</p>	<p>EAR CONNECTING PANEL 1 PC</p>	<p>LEFT SMALL EAR BAR 2 PCS</p>	<p>LEFT BIG EAR BAR 1 PC</p>
<p>U</p> 	<p>V</p> 	<p>W</p> 	<p>X</p> 	<p>Y</p> 
<p>EAR 2 PCS</p>	<p>EAR BAR 1 PC</p>	<p>DOOR 1 PC</p>	<p>DRAWER FRONT 2 PCS</p>	<p>DRAWER LEFT 2 PCS</p>

PART LIST

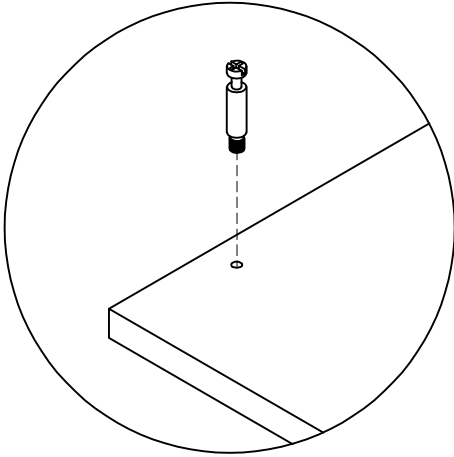
Z 	ZA 	ZB 	ZC 
DRAWER RIGHT 2 PCS	DRAWER BACK 2 PCS	DRAWER BOTTOM 2 PCS	LEG 5 PCS

HARDWARE LIST

<p>1</p>  <p>$\Phi 8 \times 30 \text{mm}$</p>	<p>2</p> 	<p>3</p> 	<p>4</p>  <p>$1\text{-}1/4 \times \Phi 4 \times \text{D}8 \text{mm}$</p>	<p>5</p>  <p>$2 \times \Phi 1/4 \times \text{D}11 \text{mm}$</p>
<p>WOOD DOWEL 50 PCS</p>	<p>CAM BOLT 20 PCS</p>	<p>CAM LOCK 20 PCS</p>	<p>SCREW 1 PC</p>	<p>HEX SOCKET HEAD BOLT 6 PCS</p>
<p>6</p>  <p>$1\text{-}1/2 \times \Phi 1/4 \times \text{D}11 \text{mm}$</p>	<p>7</p> 	<p>8</p> 	<p>9</p> 	<p>10</p> 
<p>HEX SOCKET HEAD BOLT 6 PCS</p>	<p>BARREL NUT 6 PCS</p>	<p>ALLEN KEY 1 PC</p>	<p>CASTER 3 PCS</p>	<p>LOCKING CASTER 2 PCS</p>
<p>11</p> 	<p>12</p> 	<p>13</p> 	<p>14</p>  <p>$\Phi 5/32 \times 12 \text{mm}$</p>	<p>15</p>  <p>$1 \times \Phi 4 \times \text{D}8 \text{mm}$</p>
<p>FLOOR LEVELER 5 PCS</p>	<p>SHELF PALLET 8 PCS</p>	<p>KNOB 1 PC</p>	<p>ROUND HEAD BOLT 4 PCS</p>	<p>SCREW 8 PCS</p>
<p>16</p> 	<p>17</p> 	<p>18</p> 	<p>19</p>  <p>$\Phi 5/32 \times 20 \text{mm}$</p>	<p>20</p> 
<p>SMALL CAM BOLT 8 PCS</p>	<p>SMALL CAM LOCK 8 PCS</p>	<p>DRAWER PULL 2 PCS</p>	<p>ROUND HEAD BOLT 1 PC</p>	<p>HINGE 3 PCS</p>
<p>21</p>  <p>$3 \times 15 \text{mm} \times \text{D}8 \text{mm}$</p>	<p>22</p> 	<p>23</p> 	<p>24</p> 	<p>25</p>  <p>$15 \text{mm} \times \Phi 3 \times \text{D}6 \text{mm}$</p>
<p>SCREW 30 PCS</p>	<p>LAGER HINGE 2 PCS</p>	<p>OPEN WRENCH 1 PC</p>	<p>MAGNET 1 PC</p>	<p>ROUND HEAD SCREW 2 PCS</p>

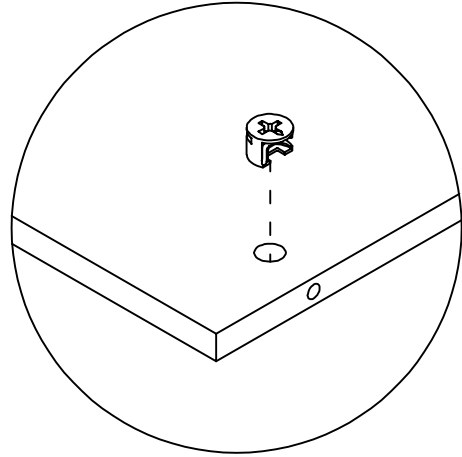
how to use the cam lock system

1.



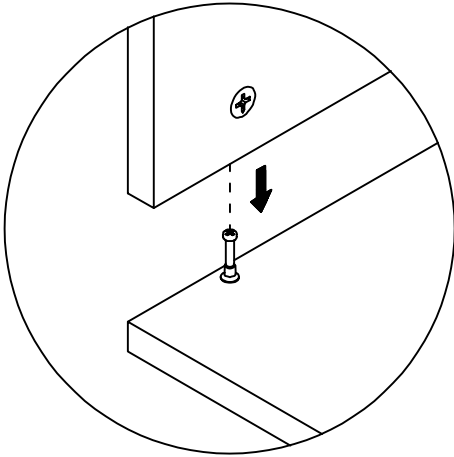
Screw cam bolt into panel

2.



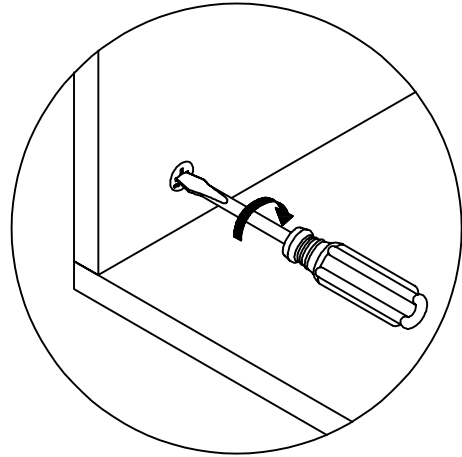
Push cam into panel - arrow feature on cam top points to panel edge

3.



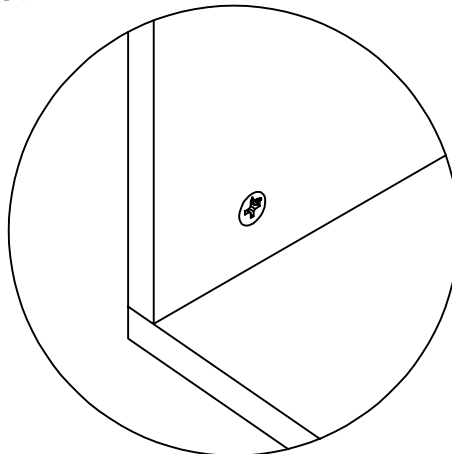
Align cam bolt(s) with cam(s) and insert all the way into cross-bored hole(s)

4.

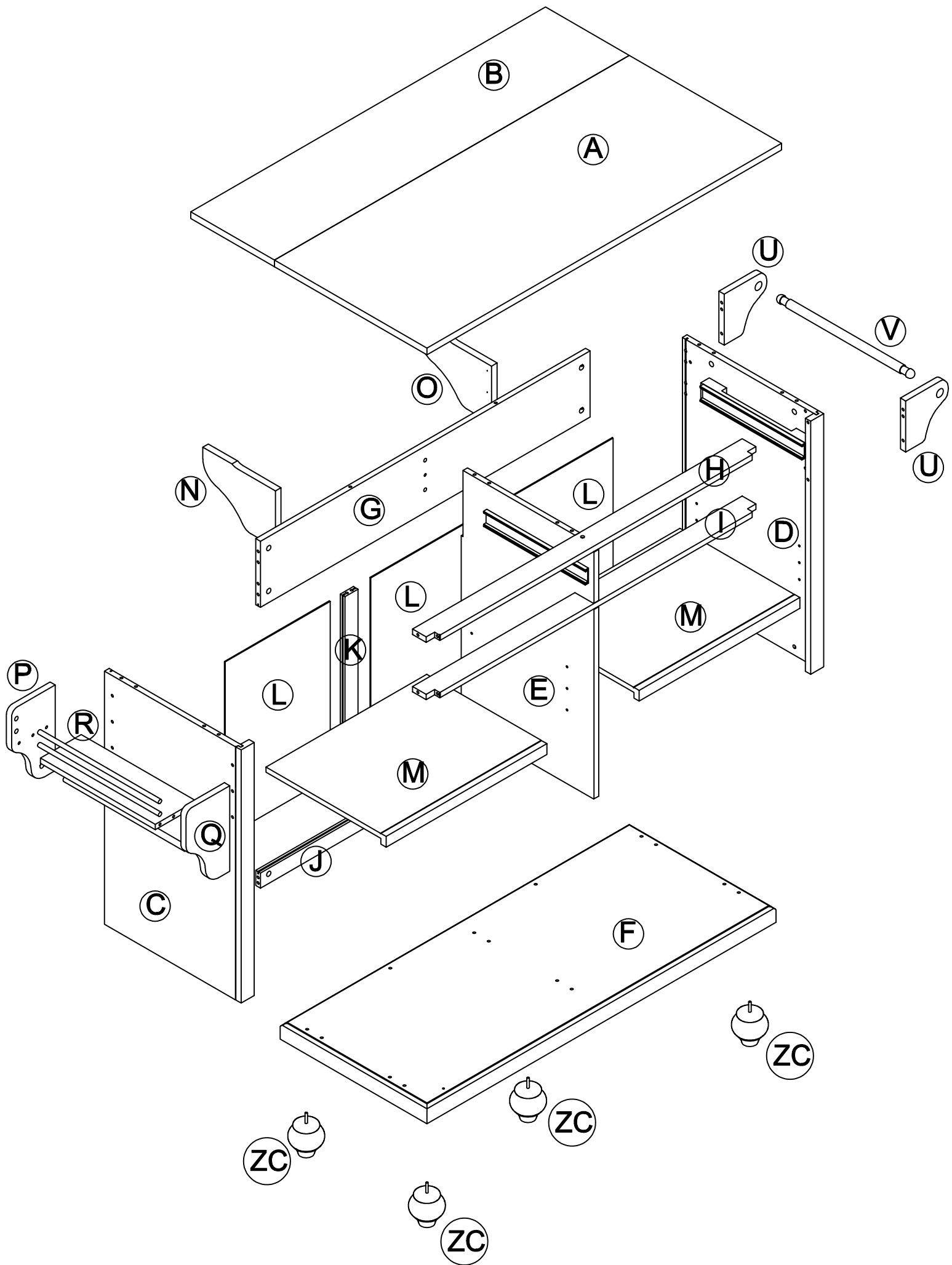


Rotate cam(s) clockwise 190°-230° to lock panels together

5.



Panels should be tight against each other and connection should be rigid

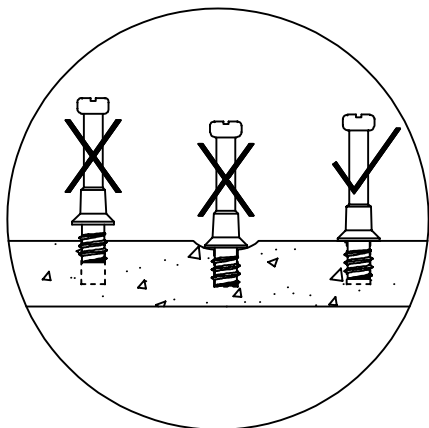
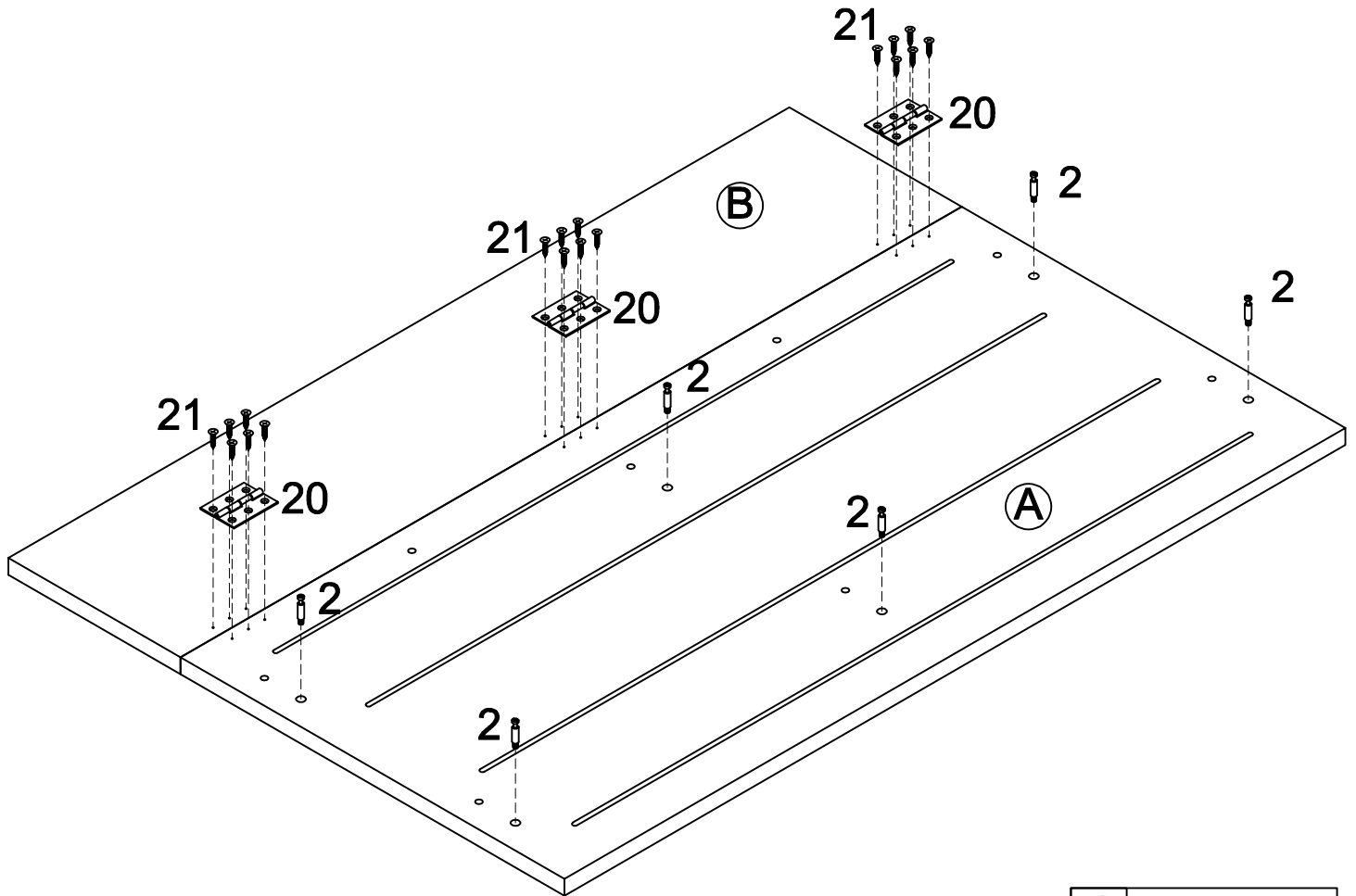


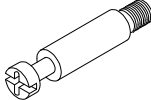
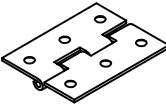

STEP 1

Securely screw the cam bolts (2) into top frame (A).

Using the pilot holes as a guide, attach drop-down leaf (B) to top frame (A) using hinges (20) and screws (21).

Tighten by screwdriver (not included).

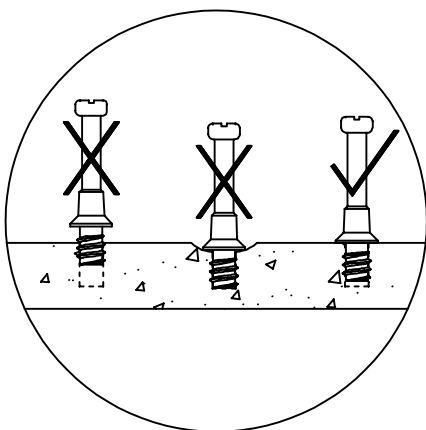
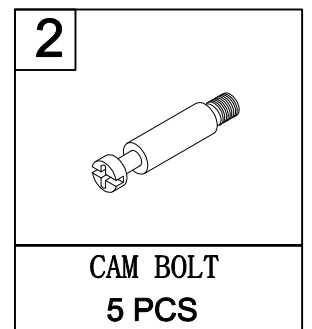
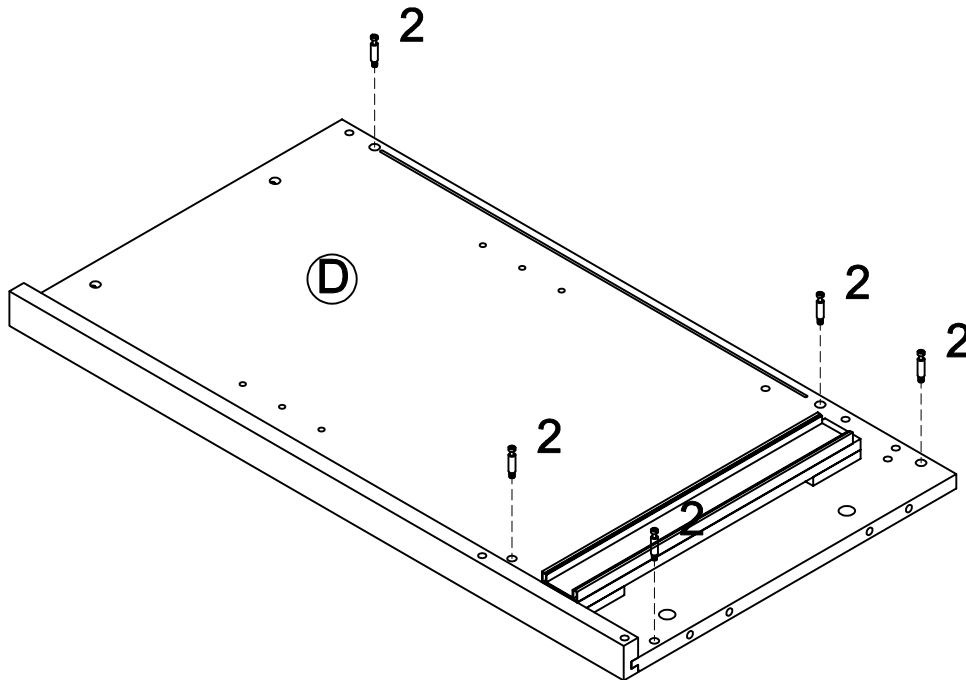
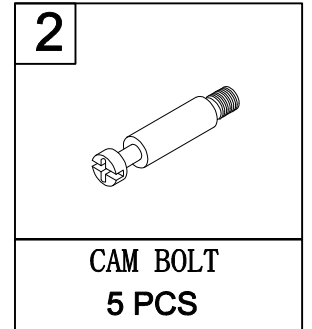
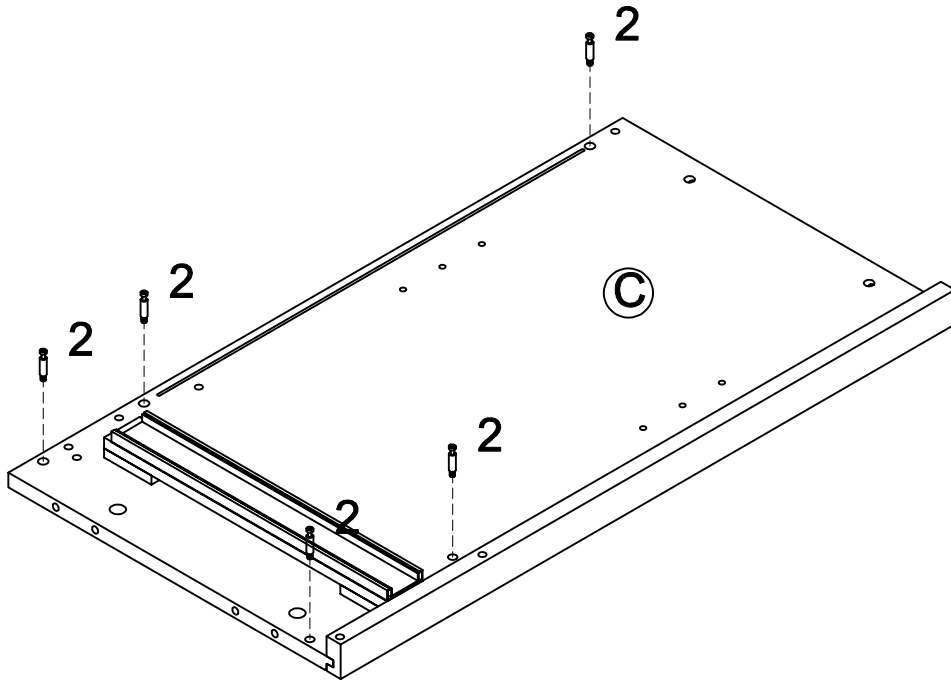


2	
CAM BOLT 6 PCS	
20	
Hinge 3 PCS	
21	
3*15mm*D8mm SCREW 18 PCS	

STEP 2

Securely screw the cam bolts (2) into left side panel (C) and right side panel (D).

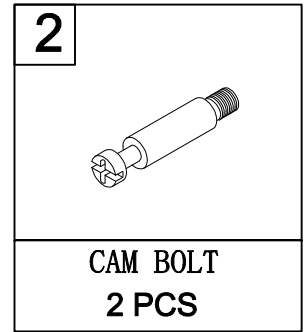
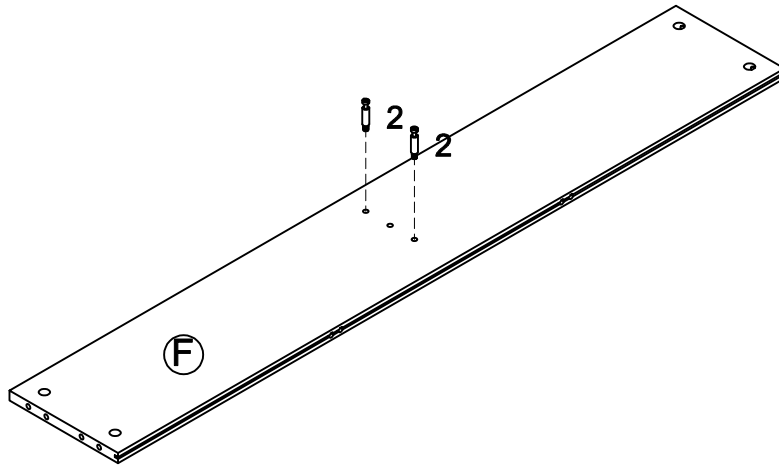
Tighten by screwdriver (not included).



STEP 3

Securely screw the cam bolts (2) into back upper rail (F).

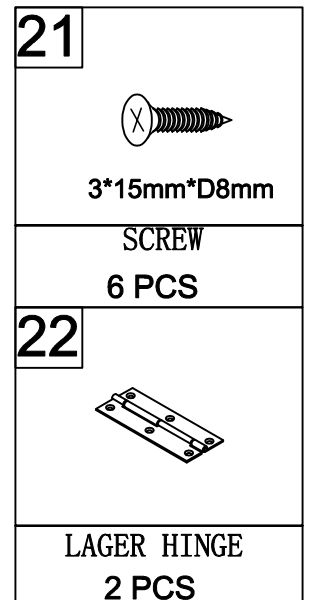
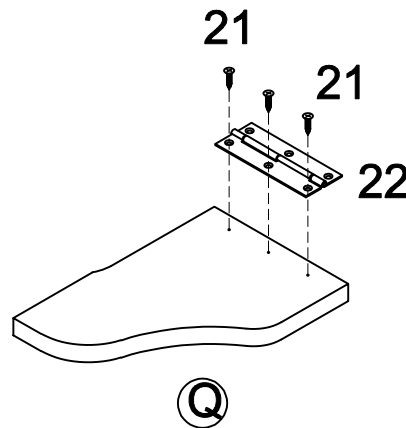
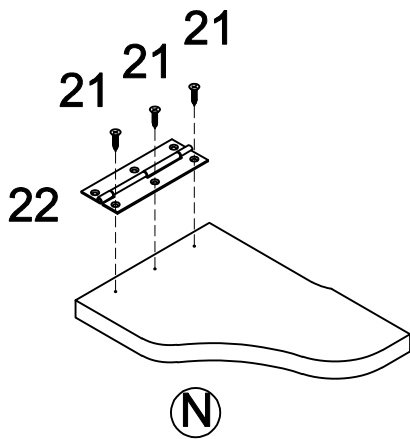
Tighten by screwdriver (not included).



STEP 4

Using the pilot holes as a guide, attach lager hinges (22) to leaf support (N) & (Q) using screws (21).

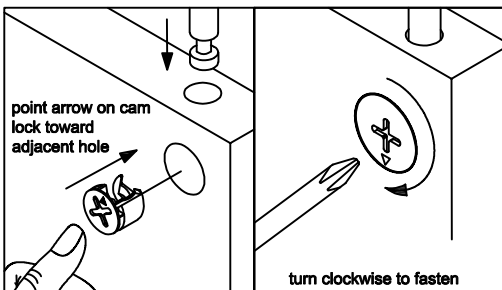
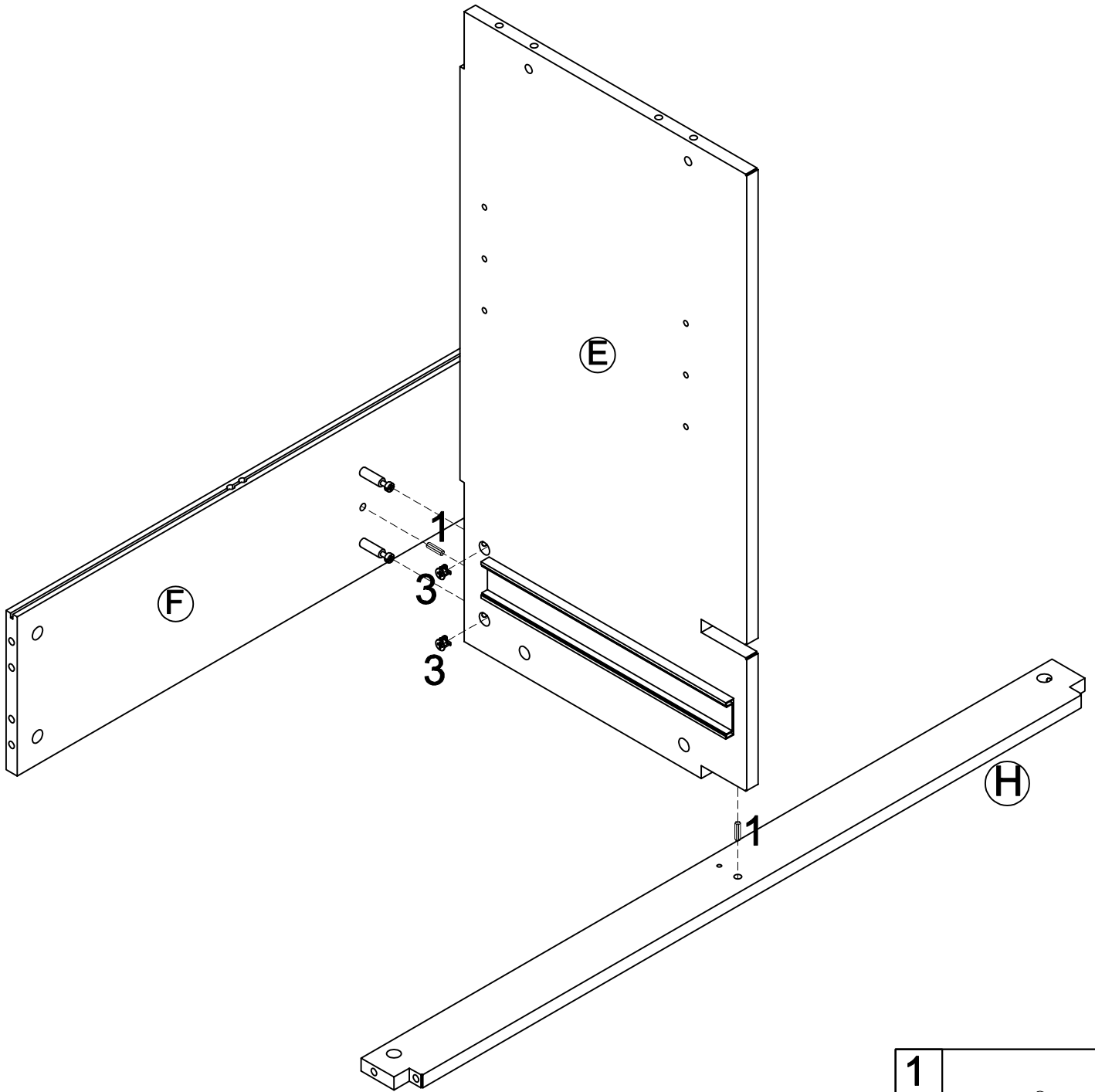
Tighten by screwdriver (not included).

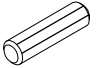
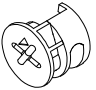


STEP 5

Attach front upper rail (H) & back upper rail (F) to middle clapboard (E) using wood dowels (1) and cam lock (3).

Tighten by screwdriver (not included).

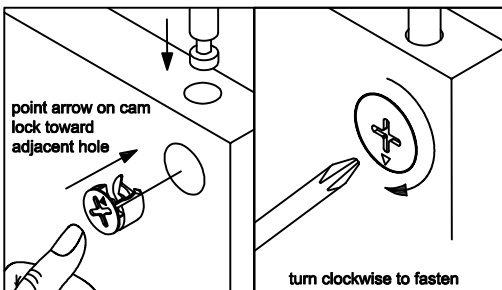
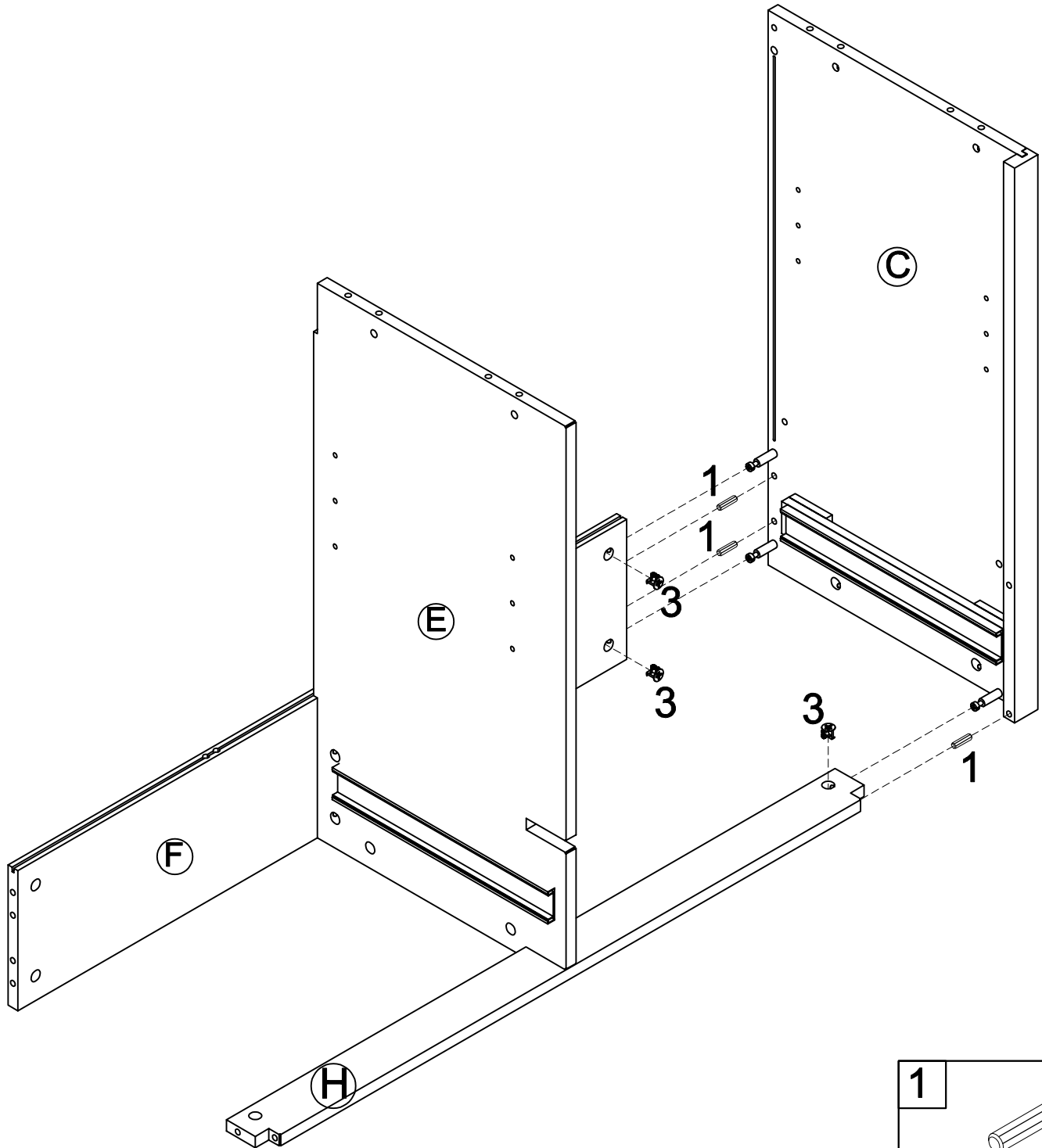


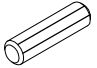
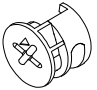
1	
	Φ8*30mm WOOD DOWEL 2 PCS
3	
	CAM LOCK 2 PCS

STEP 6

Attach left side panel (C) to front upper rail (H) & back upper rail (F) using wood dowels (1) and cam lock (3).

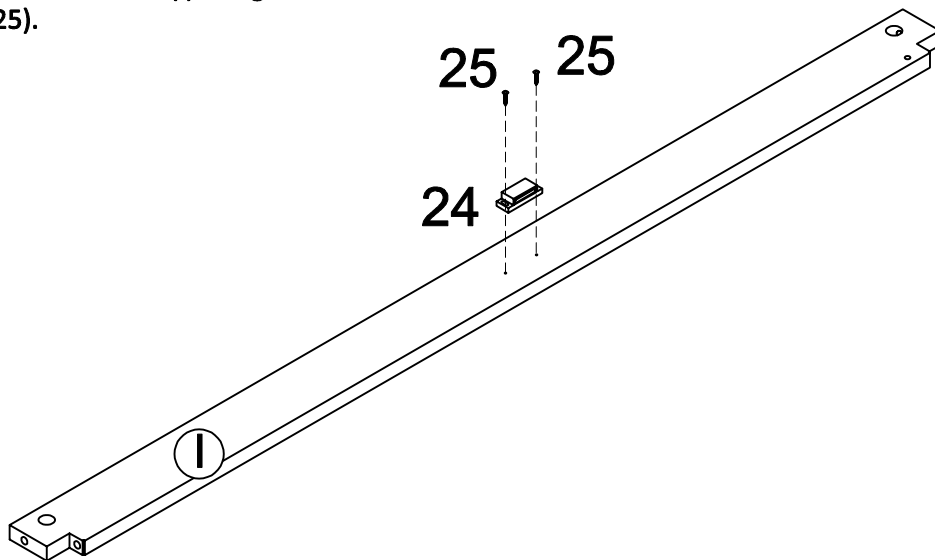
Tighten by screwdriver (not included).





1	
	Φ8*30mm WOOD DOWEL 3 PCS
3	
	CAM LOCK 3 PCS

STEP 7

Using the pilot holes as a guide, attach magnets (24) to front lower rail (I) using round head screws (25).

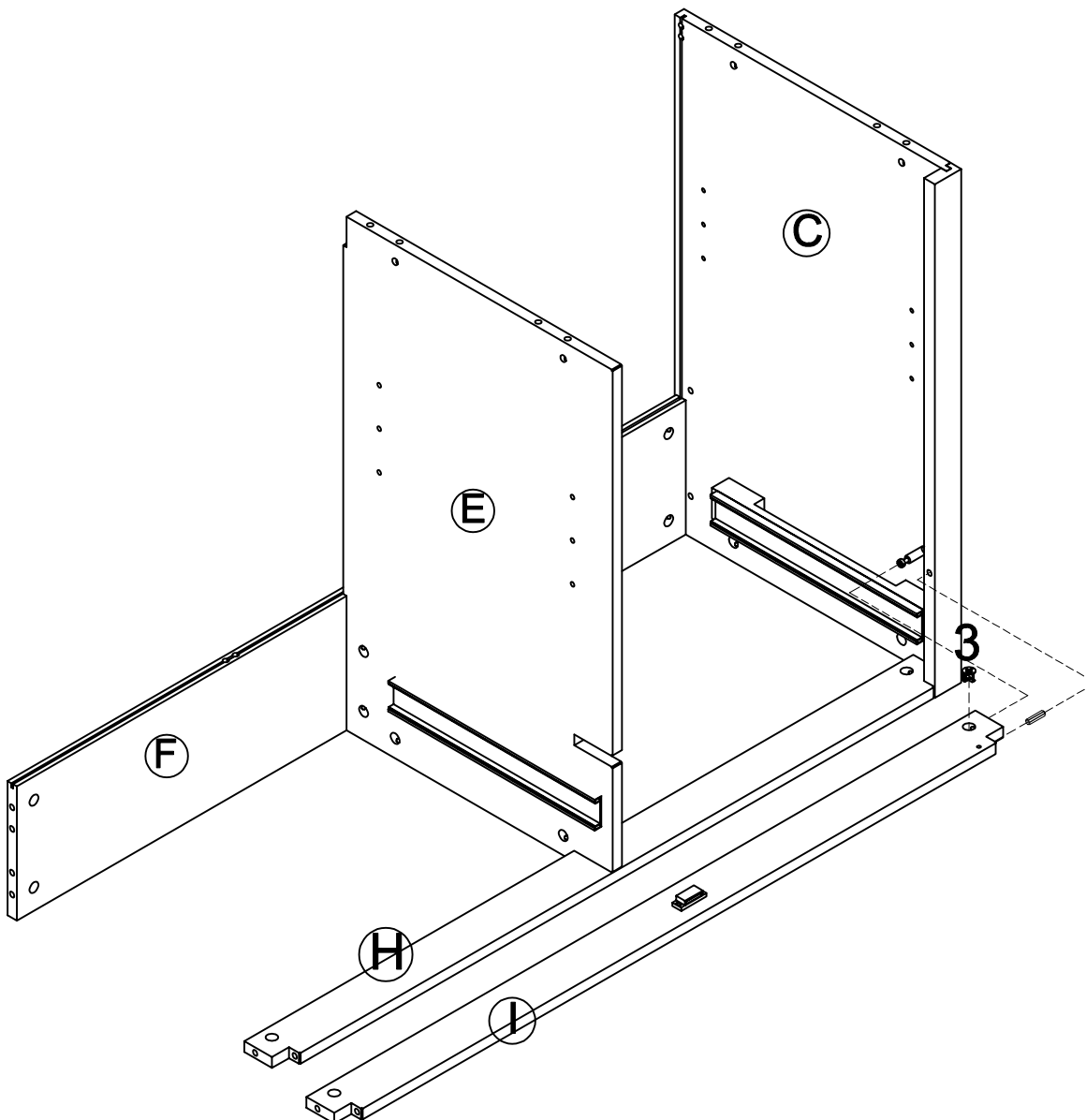


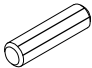

24	
	MAGNET 1 PC
25	
	15mm*Ø3*D6mm ROUND HEAD SCREW 2 PCS

STEP 8

Attach front lower rail (I) to left side panel (C) using wood dowels (1) and cam lock (3).

Tighten by screwdriver (not included).

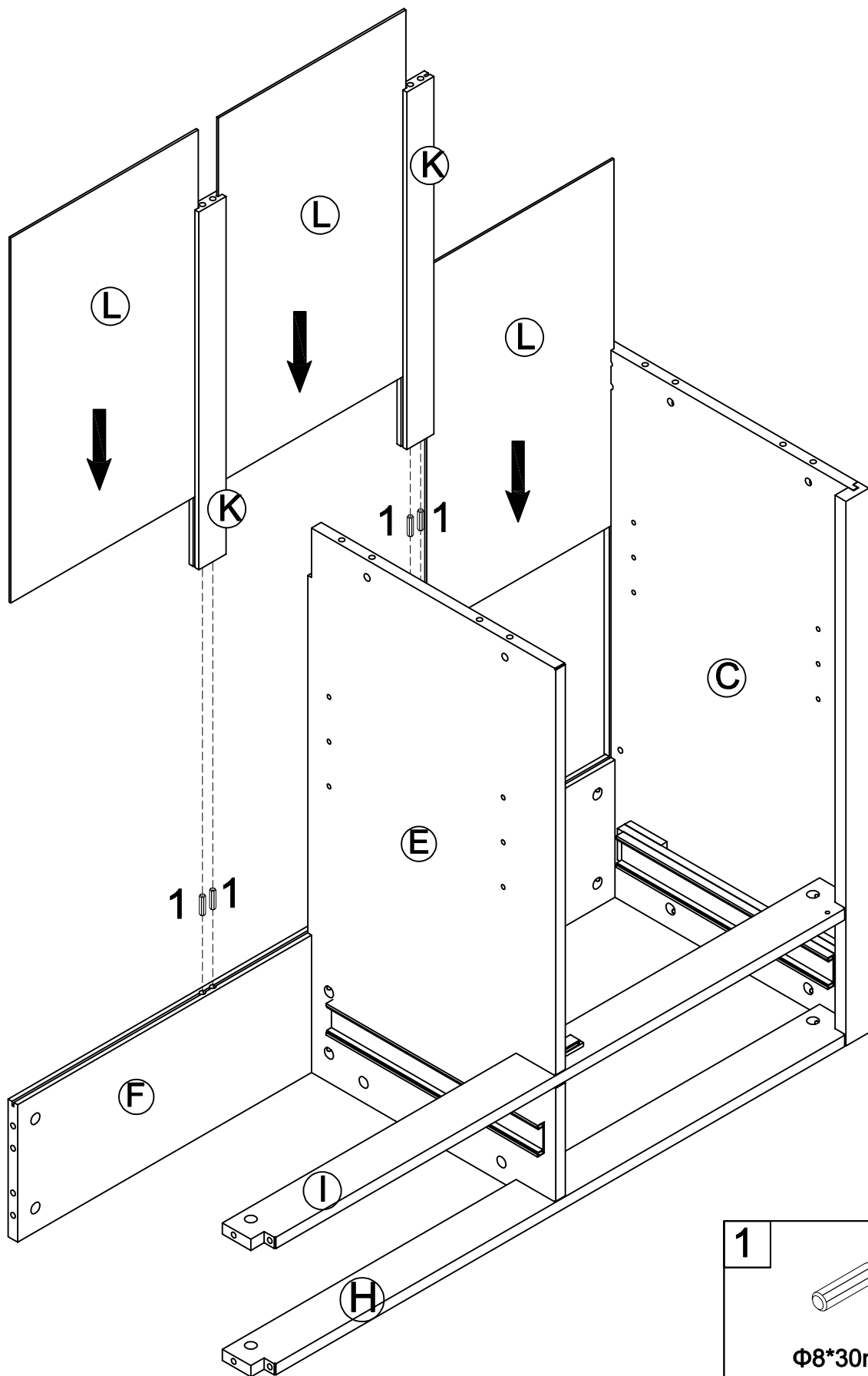


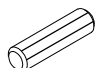
1	
	Φ8*30mm WOOD DOWEL 1 PC
3	
	CAM LOCK 1 PC

STEP 9

Attach back middle rails (K) to back upper rail (F) use wood dowels (1).

Insert back panels (L) into back middle rails (K) and back upper rail (F) and left side panel (C).



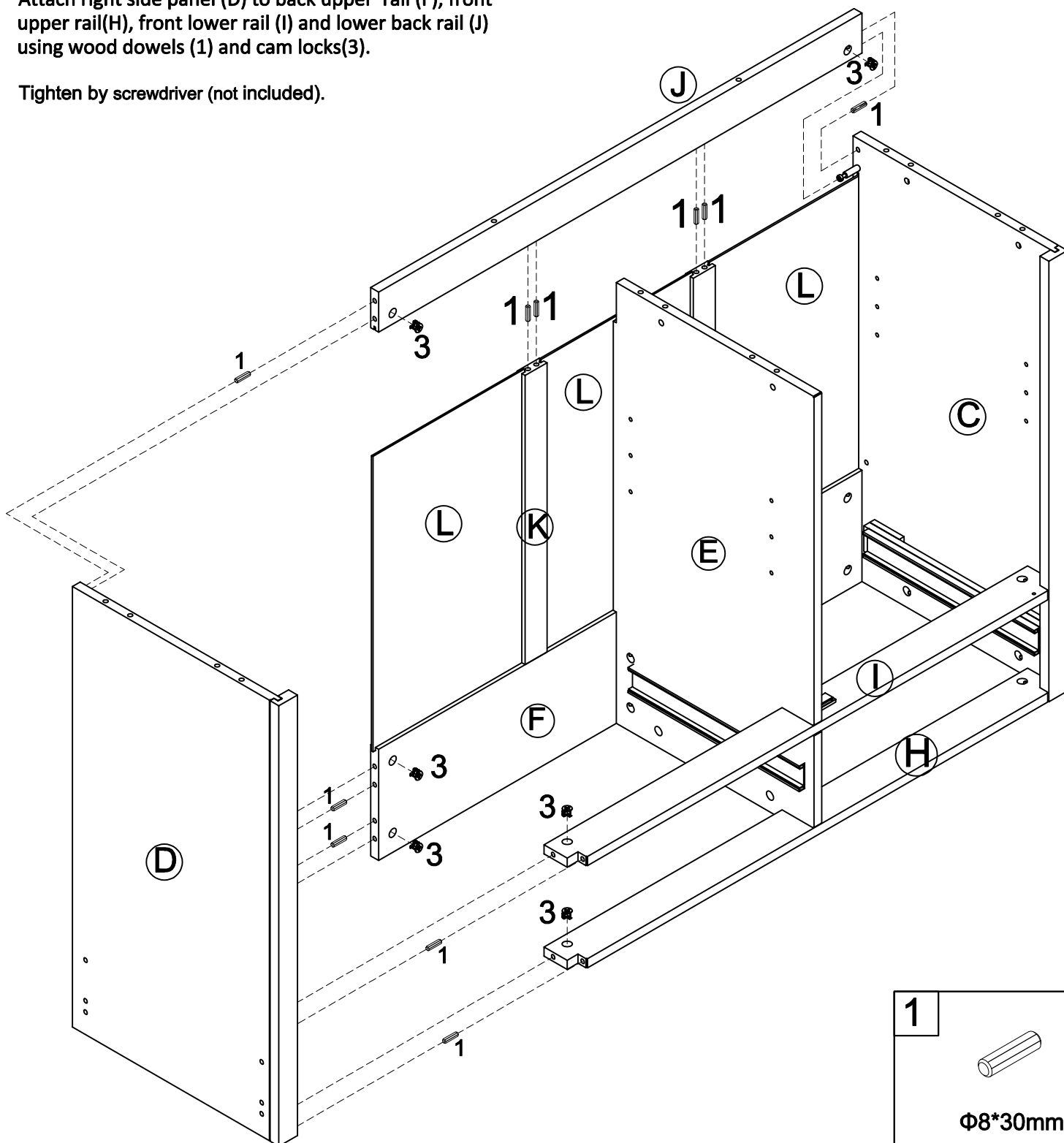
1	
Φ8*30mm	
WOOD DOWEL	
4 PCS	

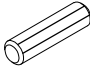
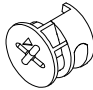
STEP 10

Attach lower back rail (J) to left side panel (C) and back middle rails (K) using wood dowels (1). Secure lower back rail (J) to left side panel(C) using cam locks(3).

Attach right side panel (D) to back upper rail (F), front upper rail(H), front lower rail (I) and lower back rail (J) using wood dowels (1) and cam locks(3).

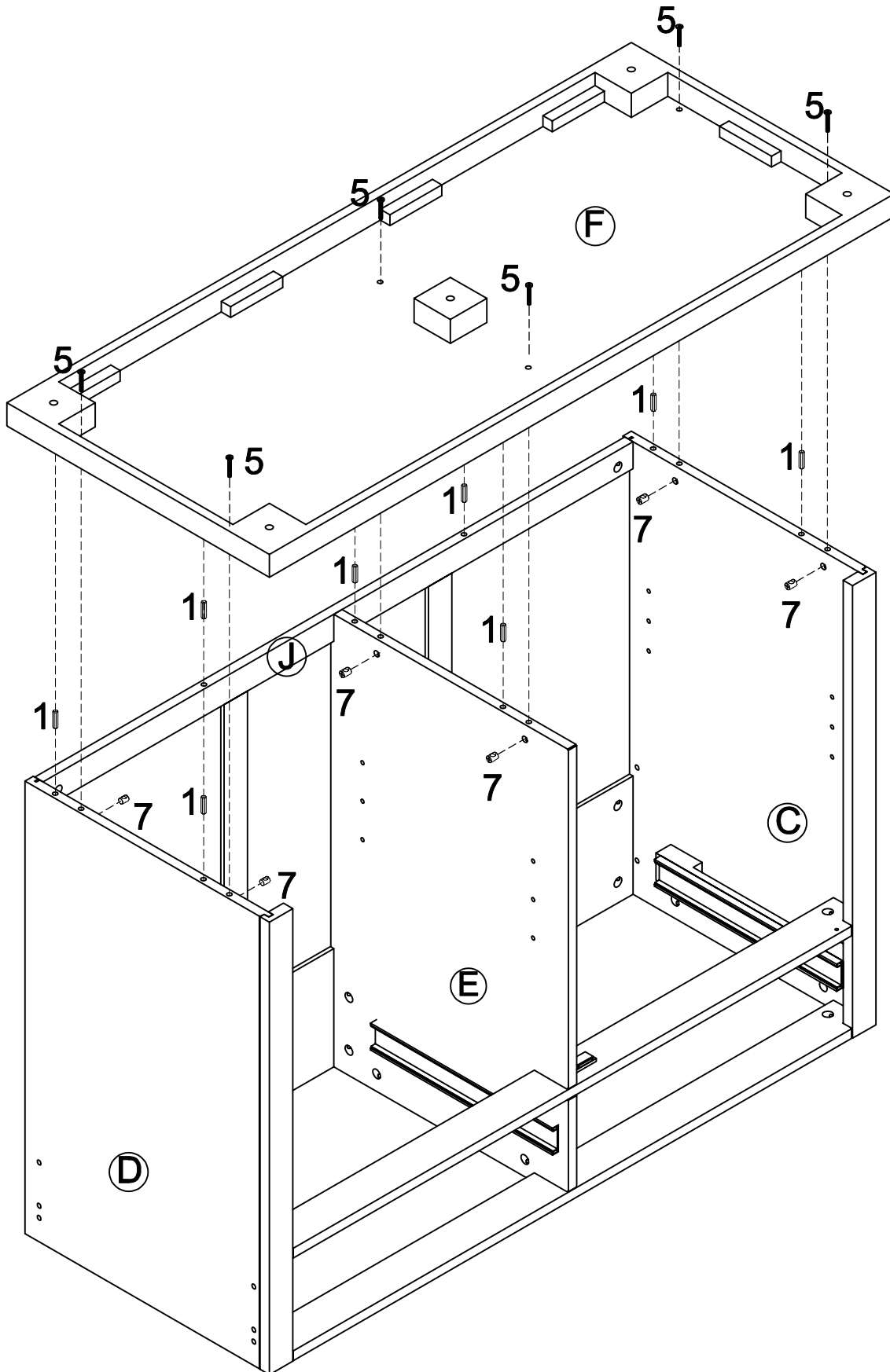
Tighten by screwdriver (not included).

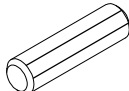
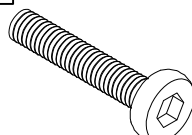

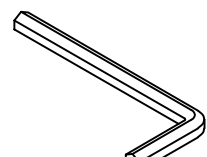


1	
	Φ8*30mm WOOD DOWEL 10 PCS
3	
	CAM LOCK 6 PCS

STEP 11

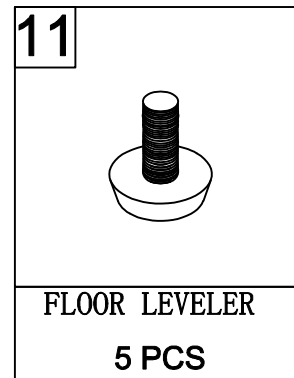
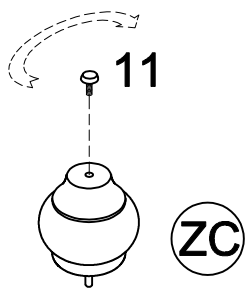
Insert wood dowels (1) and barrel nuts (7) into left & right side panel (C&D).
Then attach bottom frame (F) to left & right side panel (C&D) using hex socket head bolts (5) & allen Key (8).



1	
	$\Phi 8 \times 30 \text{mm}$ WOOD DOWEL 8 PCS
5	
	2" \times $\frac{1}{4}$ " \times D11mm HEX SOCKET HEAD BOLT 6 PCS
7	
	BARREL NUT 6 PCS
8	
	ALLEN KEY 1 PC

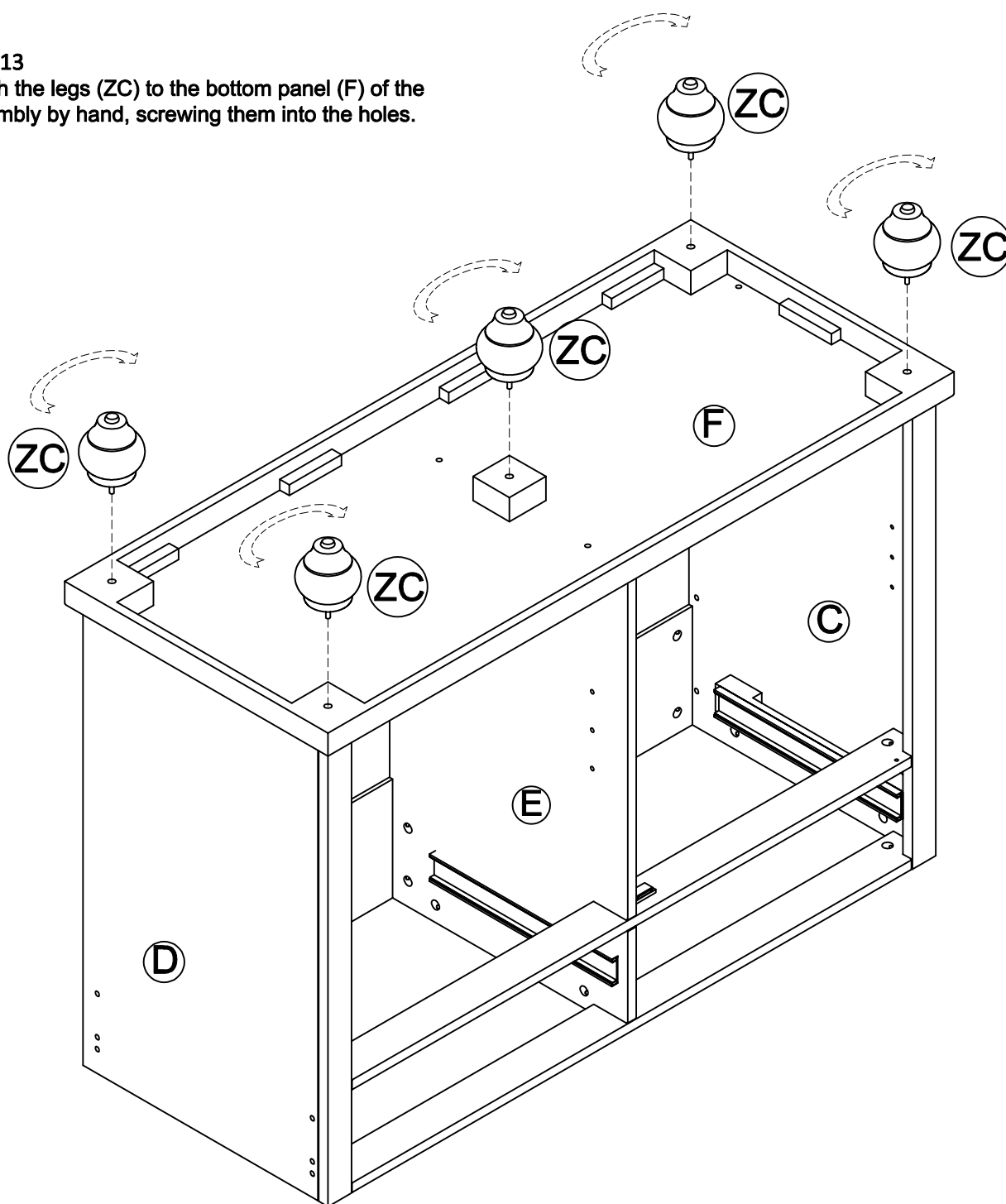
STEP 12

Attach the floor leveler (11) to the legs (ZC) of the Assembly by hand, screwing them into the holes.



STEP 13

Attach the legs (ZC) to the bottom panel (F) of the Assembly by hand, screwing them into the holes.



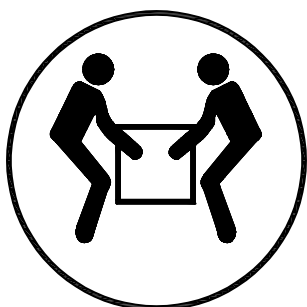
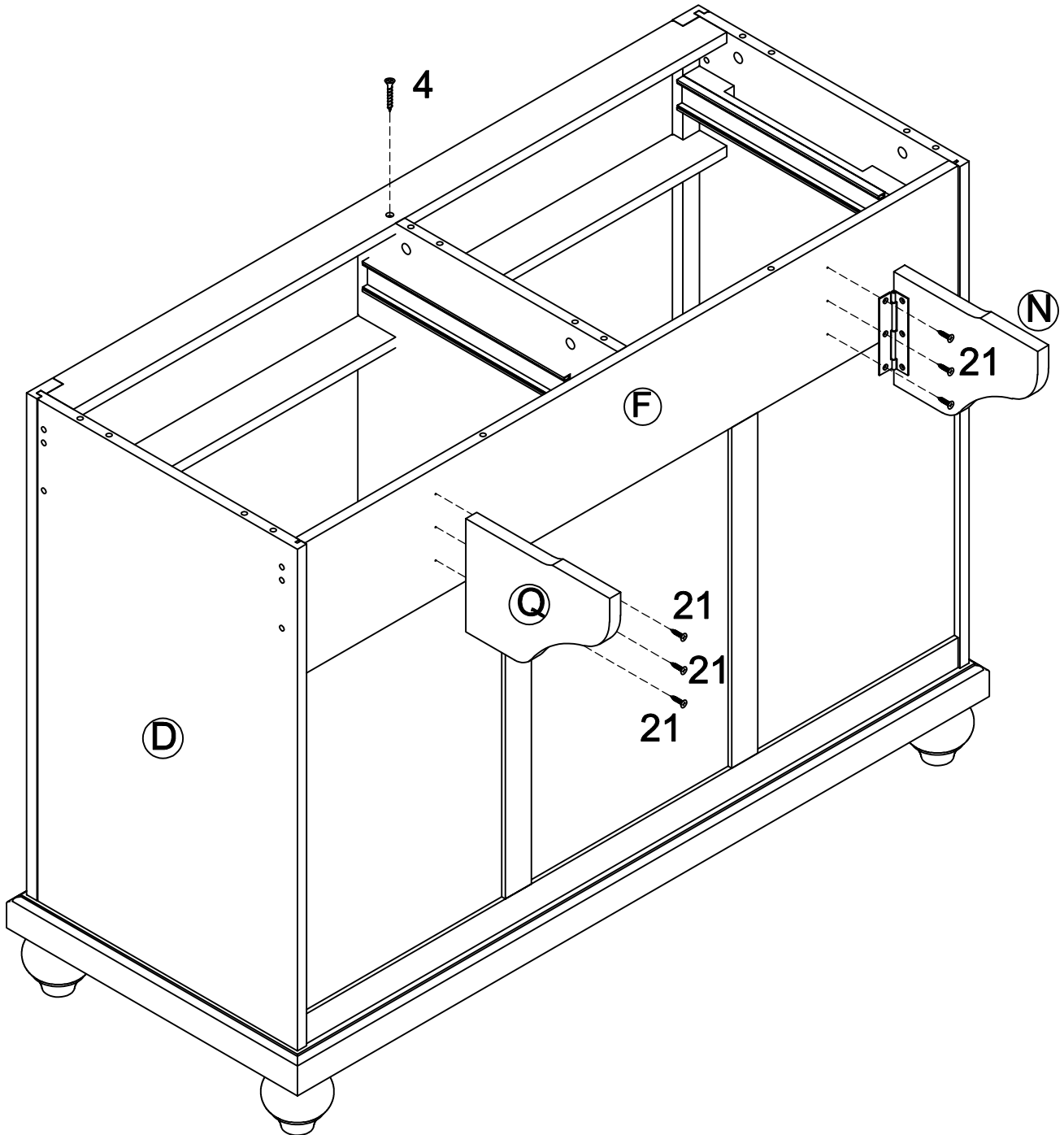
STEP 14

Carefully place the cart upright.



Using the pilot holes as a guide, attached leaf support frame (N) to back upper rail (F) and back lower rail (J) using screws (21).

Attached front upper rail (H) to middle clapboard (E) using screw (4).

Tighten by screwdriver (not included).

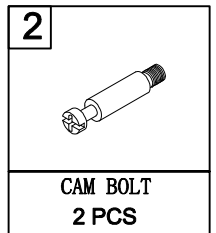
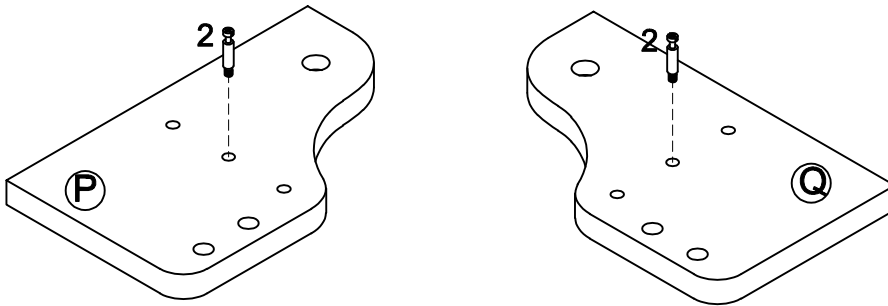


CAUTION: Heavy! You may need assistance with this step.

4	 1-1/4" * ϕ 4 * D8mm	21	 3 * 15mm * D8mm
	SCREW 1 PC		SCREW 6 PCS

STEP 15

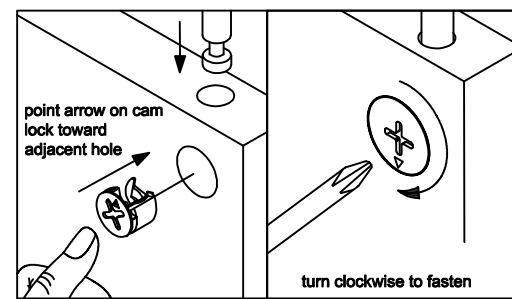
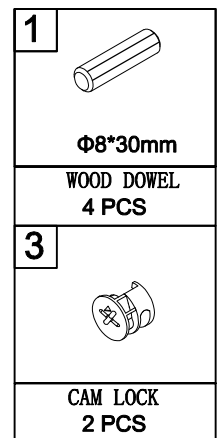
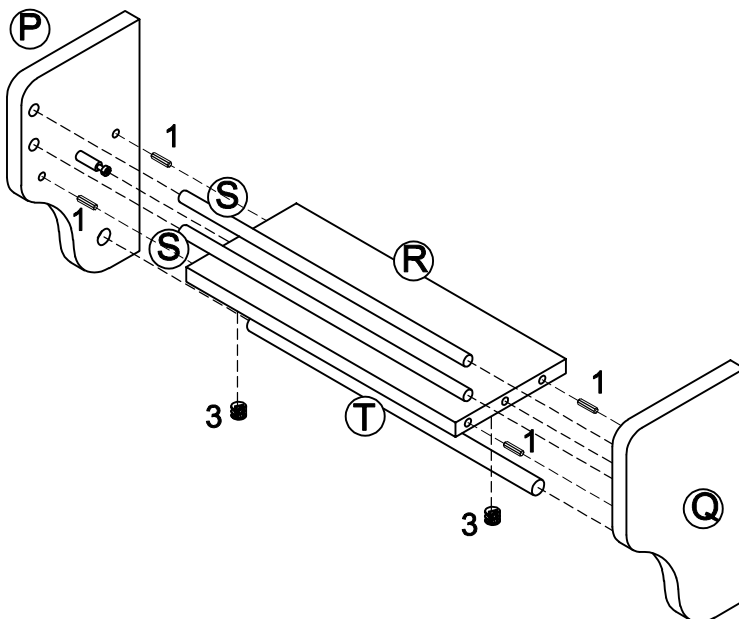
Lock the cam bolts (2) into left ear side panel (P) and right ear side panel (Q).



STEP16

Attach ear connecting panel (R) to left ear side panel (P) using wood dowels (1) and cam lock (3). Tighten cam lock (3).

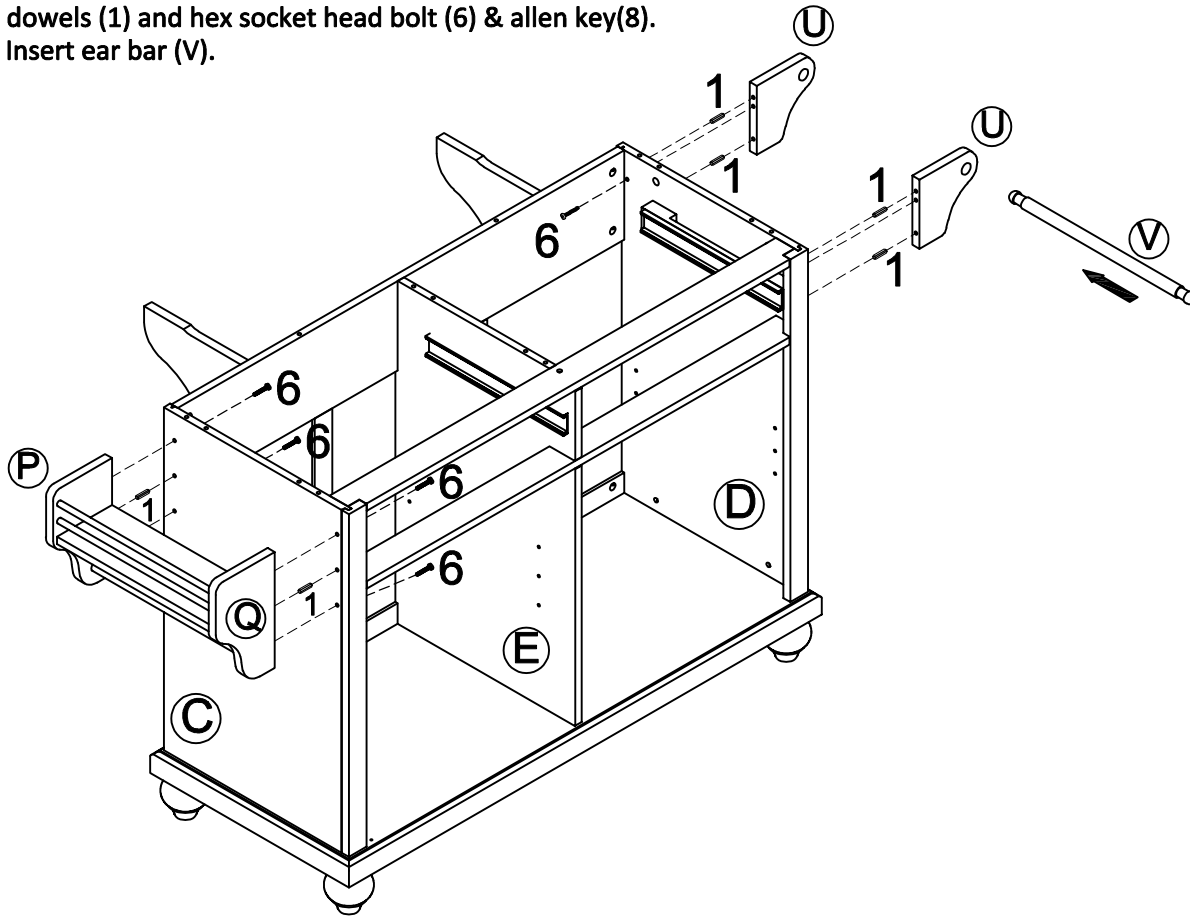
Insert left small ear bar (S) and left big ear bar (T) into holes on left ear side panel (P). Attach right ear panel (Q) to ear connecting panel (R) using wood dowels (1) and cam lock (3). Make sure left small ear bar (S) and left big ear bar (T) is aligned and tighten cam lock(3).



STEP 17

Attach left & right ear side panel (P&Q) to left side panel (C) using wood dowels (1) & hex socket head bolts (6) & allen key (8).

Attach small ear (U) to right side panel (D) using wood dowels (1) and hex socket head bolt (6) & allen key(8).
Insert ear bar (V).

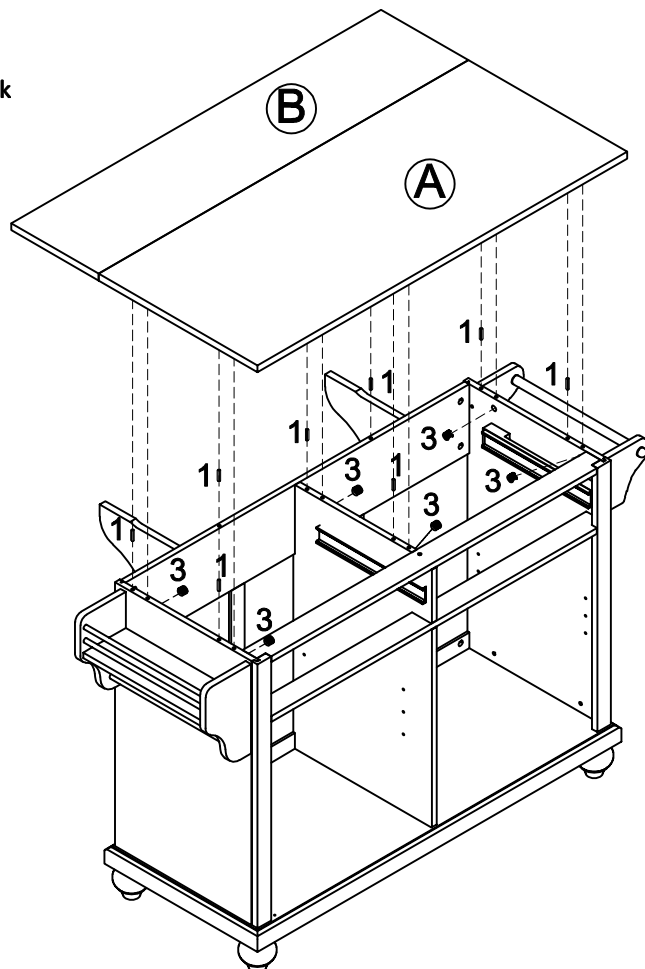


1	
	Φ8*30mm WOOD DOWEL 6 PCS
6	
	1-1/2**Ø1/4**D11mm HEX SOCKET HEAD BOLT 6 PCS
8	
	ALLEN KEY 1 PC

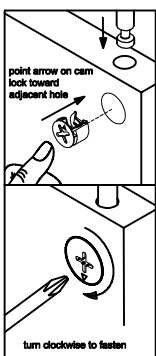
STEP 18

Attach top frame (A) to left & right side panel (C&D), middle clapboard(E) and back upper back rail(F) using wood dowels(1) and cam locks(3).

Tighten by screwdriver (not included).

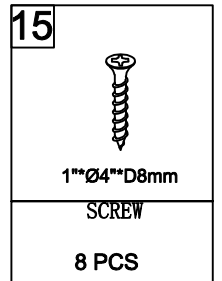
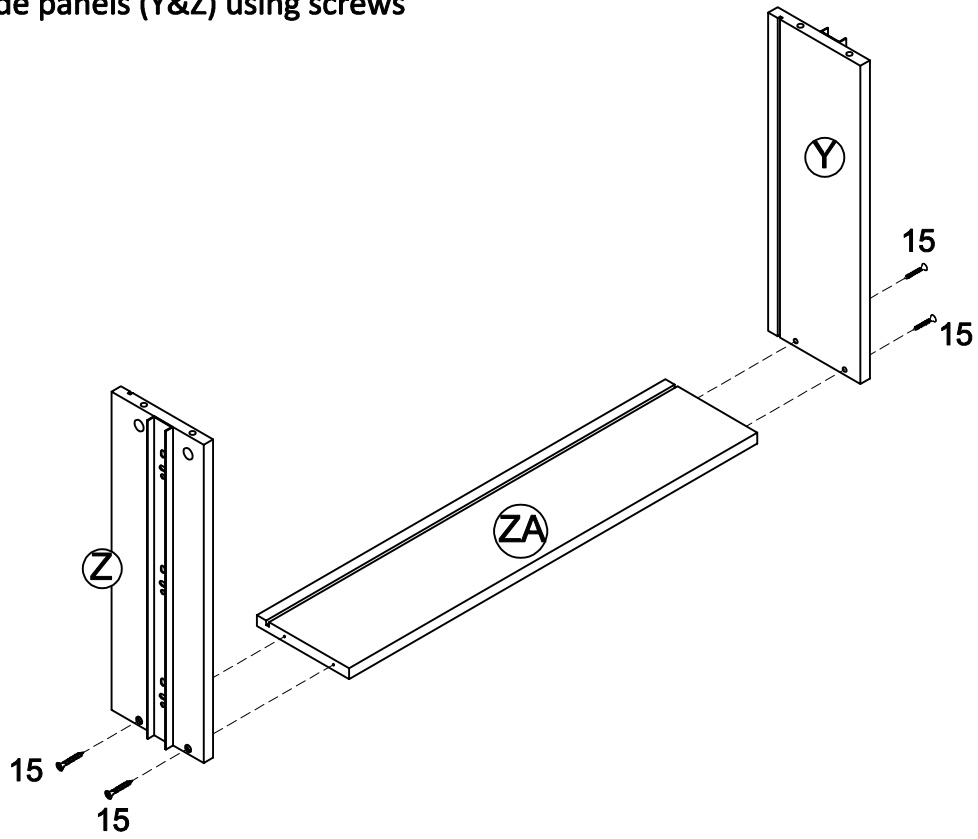


1	
	Φ8*30mm WOOD DOWEL 8 PCS
3	
	CAM LOCK 6 PCS



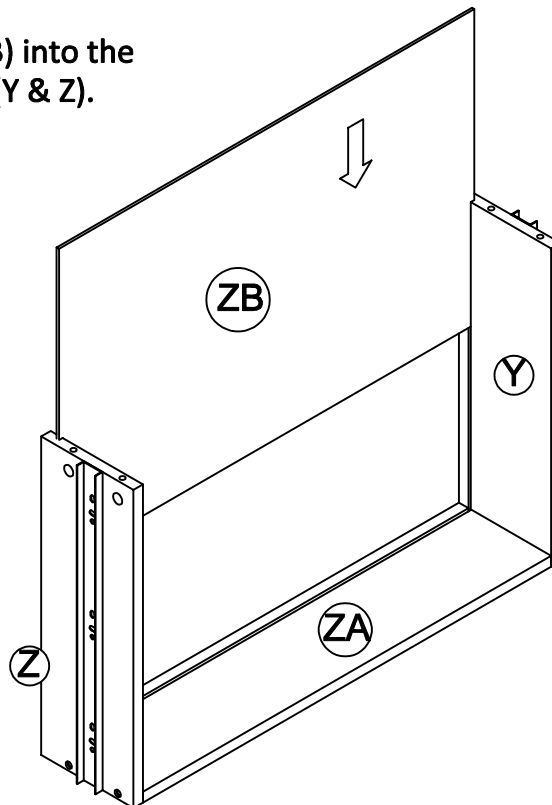
STEP 19

Attach drawer back panel (ZA) to drawer side panels (Y&Z) using screws (15).



STEP 20

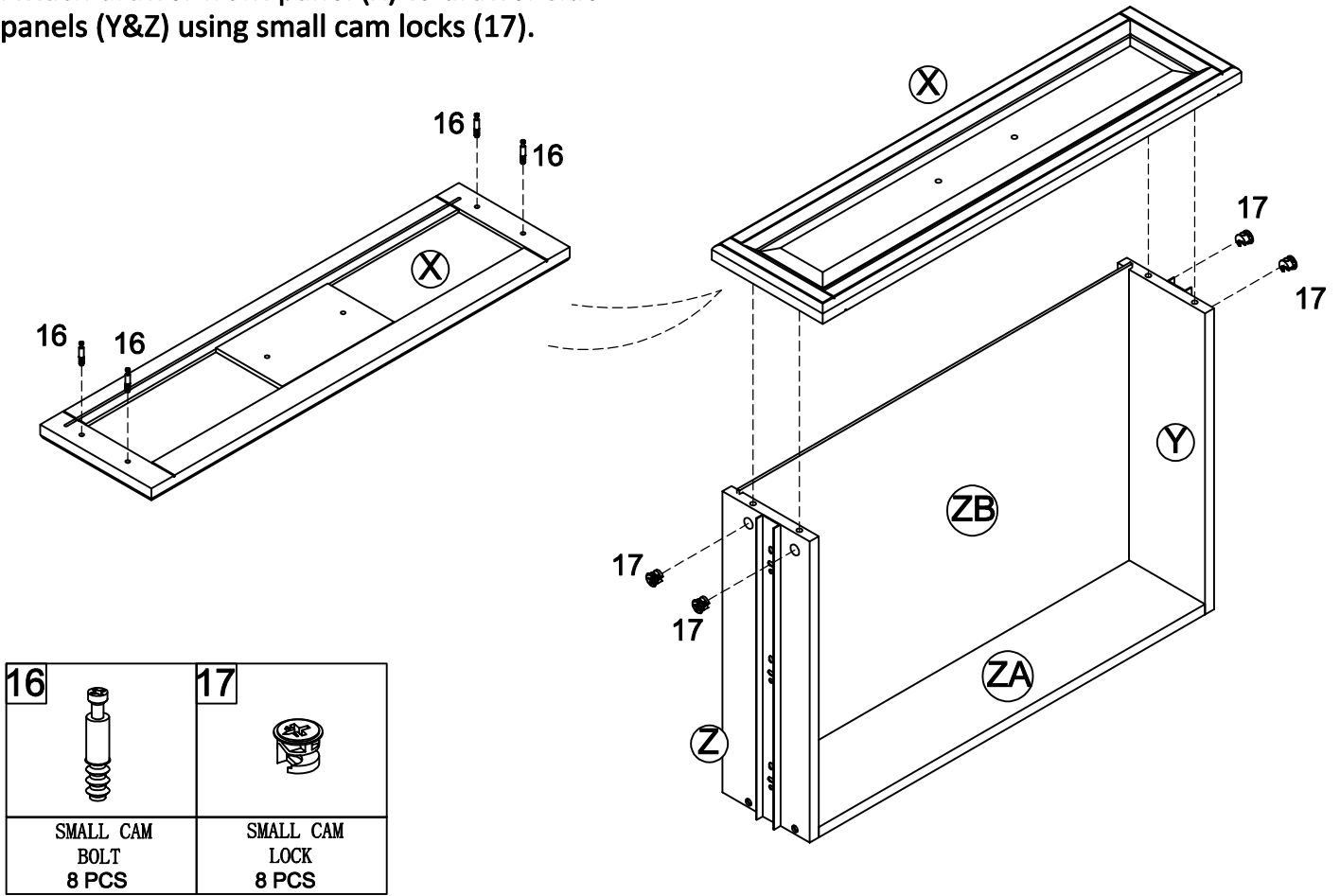
Insert drawer bottom panel (ZB) into the grooves of drawer side panels (Y & Z).



STEP 21

Lock the small cam bolts (16) into drawer front (X).

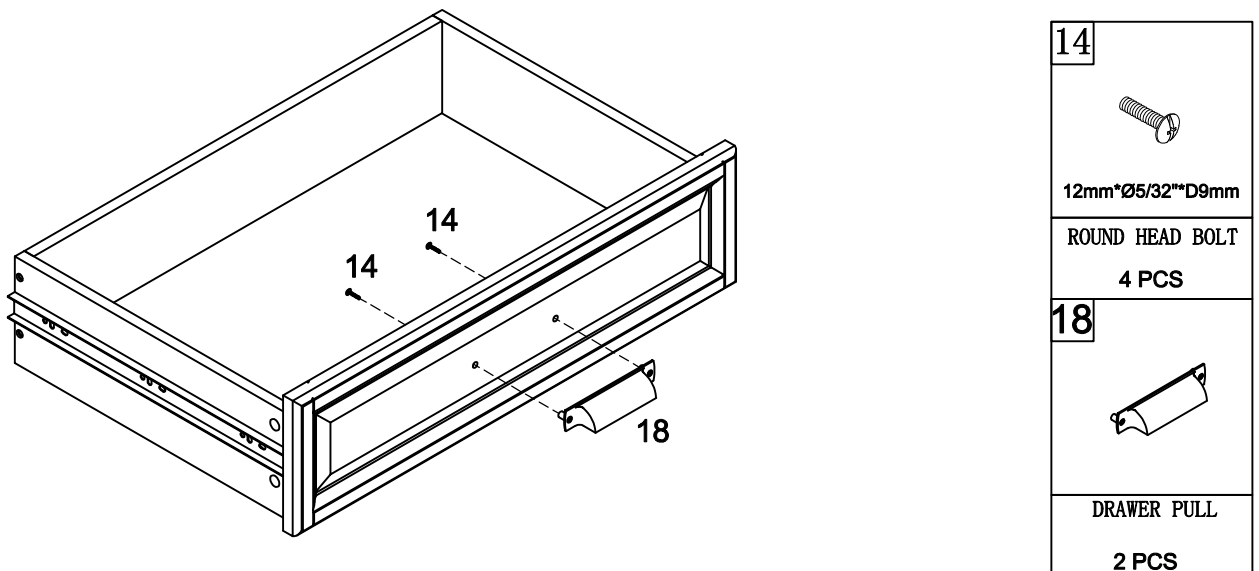
Attach drawer front panel (X) to drawer side panels (Y&Z) using small cam locks (17).



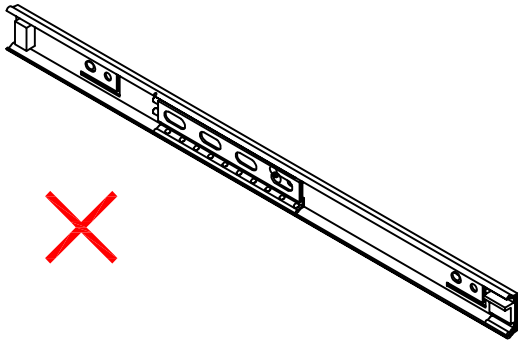
STEP 22

Attach drawer pull (18) to drawer front (X) using round head bolts (14).

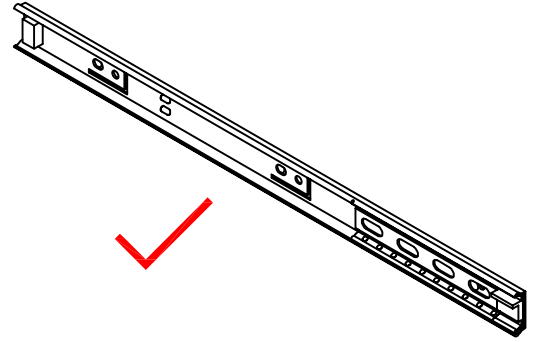
Repeat steps 18 though 21 to assemble second drawer.



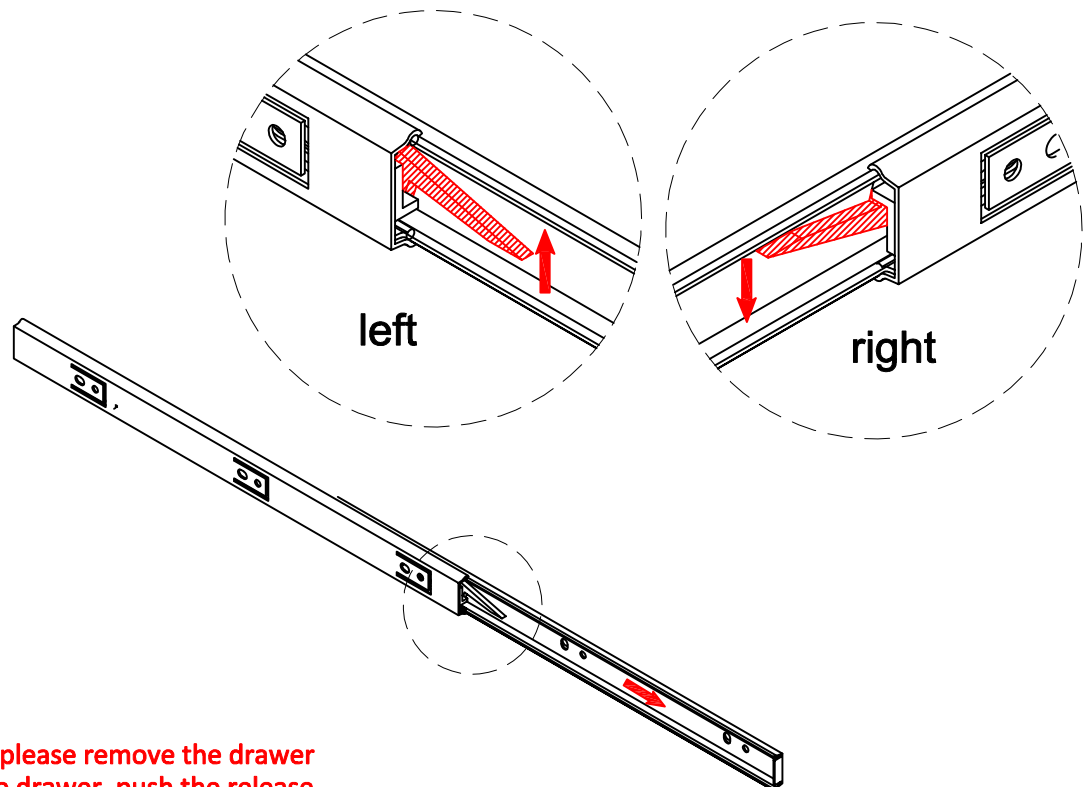
Attention of Inserting Drawer



INCORRECT: If the ball bearing is at the back of the glide when the drawer is inserted, the glide will not align and can be damaged causing the drawer to jam.



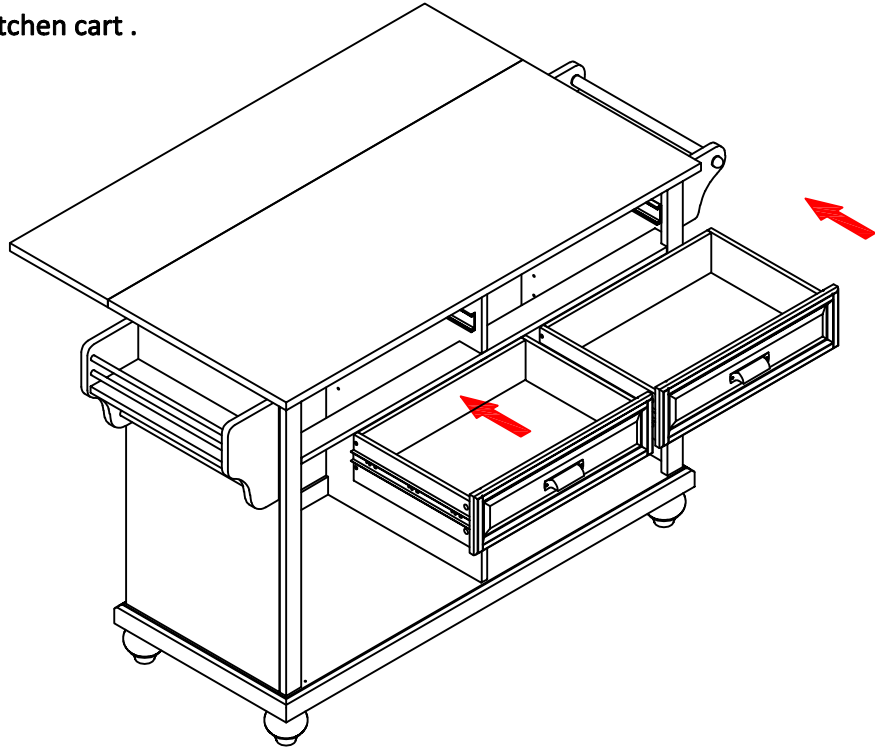
CORRECT: Slide the ball bearings all the way to the front of the glide. Carefully align the rails on the drawer with the rails on the cart and insert slowly. **DO NOT FORCE.**



NOTE: If the drawer jams, please remove the drawer and realign. To remove the drawer, push the release tabs as indicated above for both sides and hold. Slowly remove the drawer. (The tabs must be fully depressed and held to release the drawer.) Realign the ball bearings and reinsert the drawer.

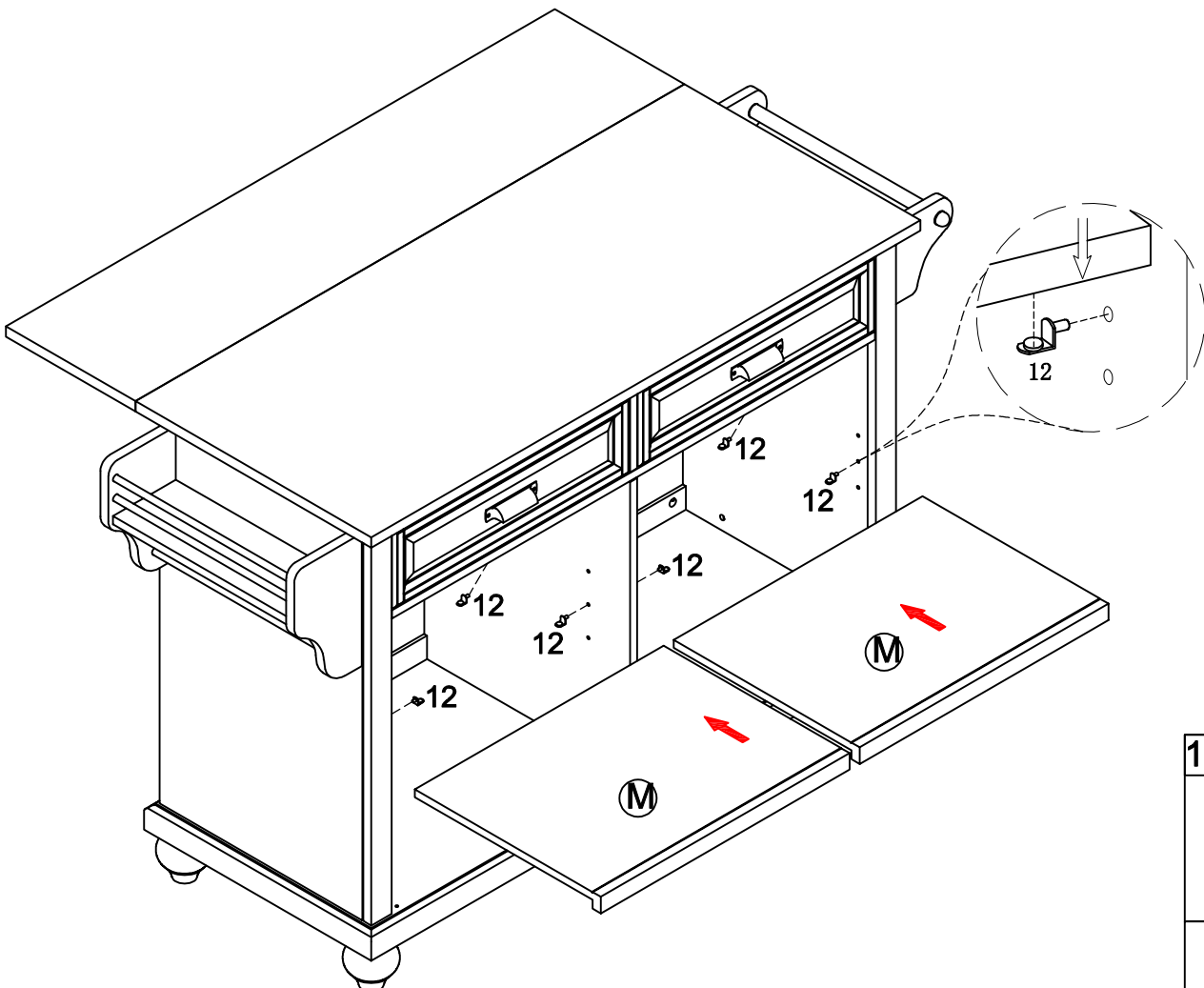
STEP 23

Insert the drawers into the kitchen cart .



Step 24

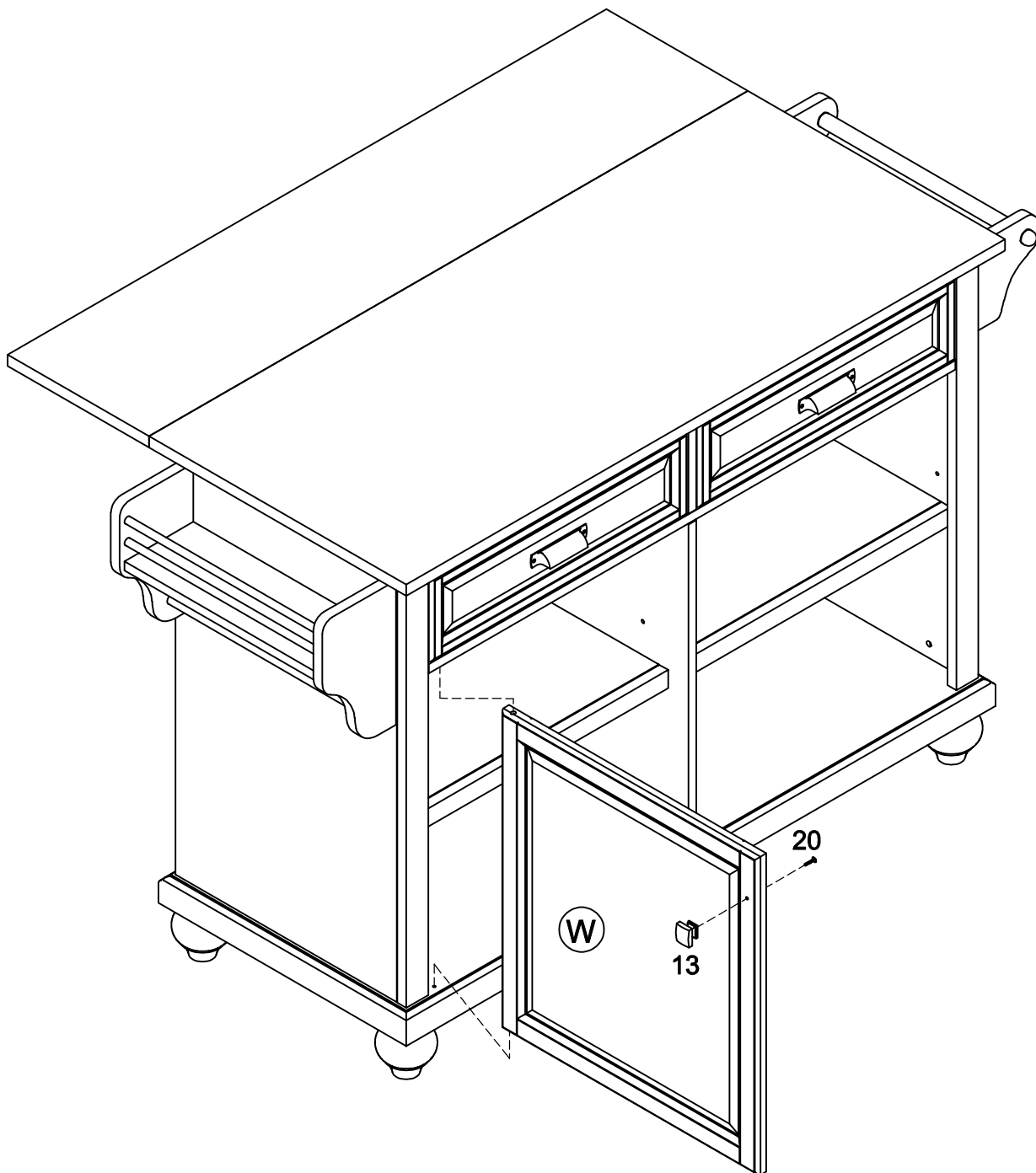
Insert shelf pallet (12) into desired position.
Slide adjustable shelf panels (M) in place.



STEP 25

Attach knobs (13) to left & right door frames (WL&WR) using round head bolts (19).

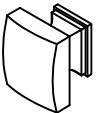
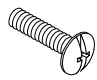
Attach left door (WL) and right door (WR) to front lower rail (I) and bottom panel (F).



NOTE: Open and close the doors and adjust the gaps to make sure they are aligned and shut correctly.

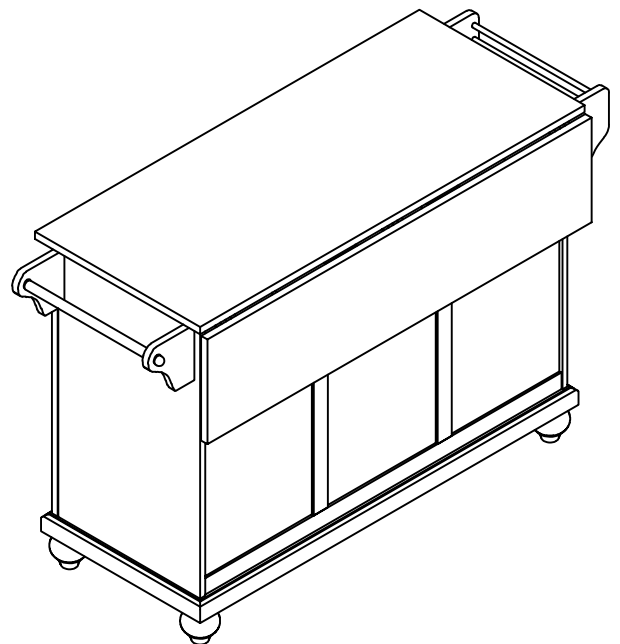
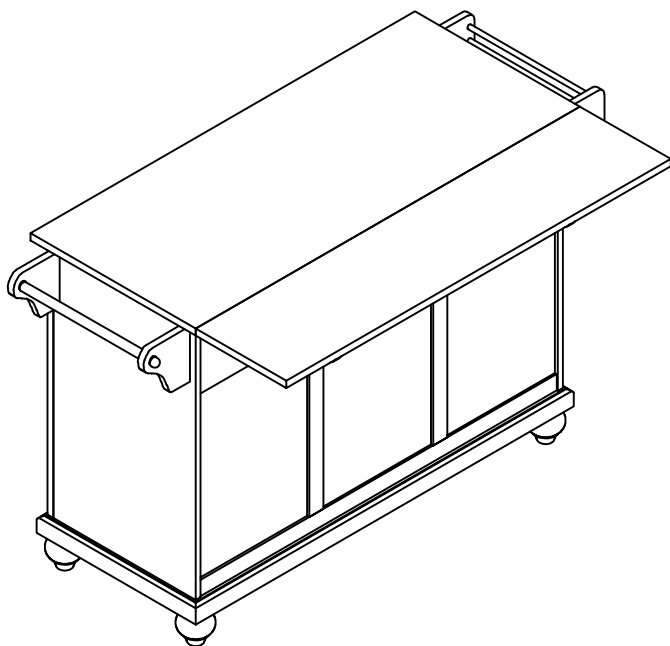
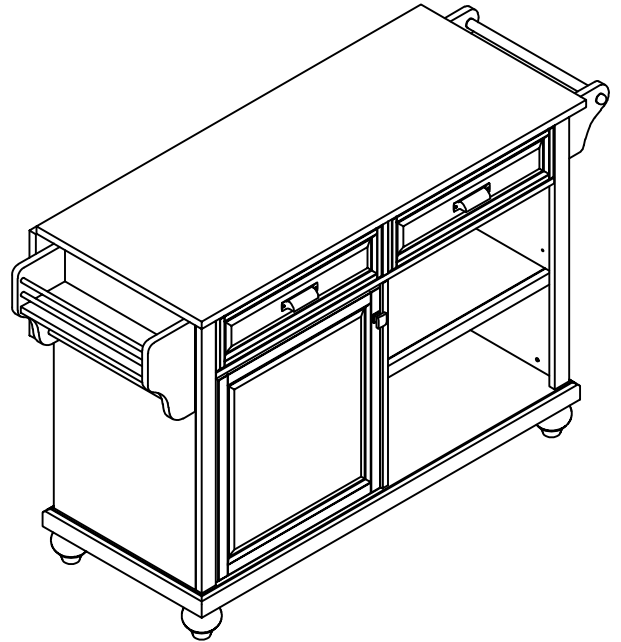
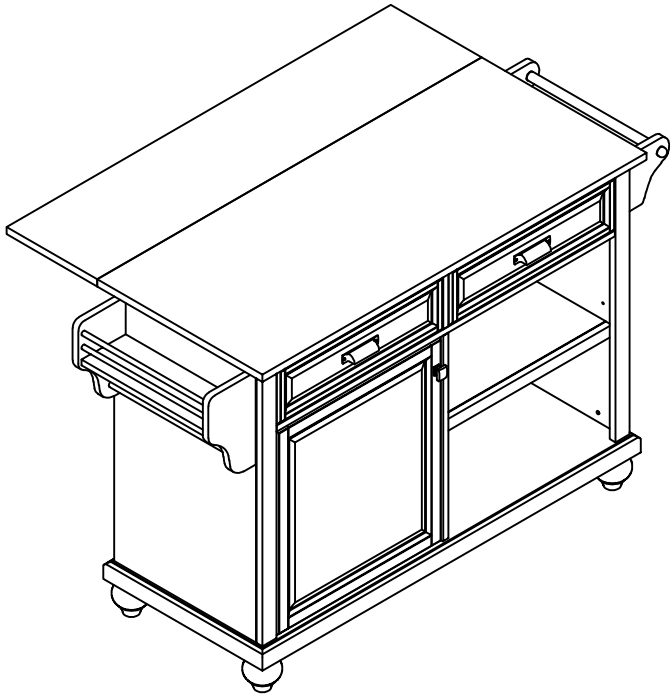
If you find that the doors do not close properly or do not align correctly, please follow these steps:

1. The magnets (24) can be adjusted to ensure that the doors function properly. This can be done by moving the magnet forward and back.
2. Once the doors function properly, go back and tighten all the screws.

13 	19 
KNOB 1 PC	ROUND HEAD BOLT 1 PC

STEP 26

The Kitchen Island is now ready for use.

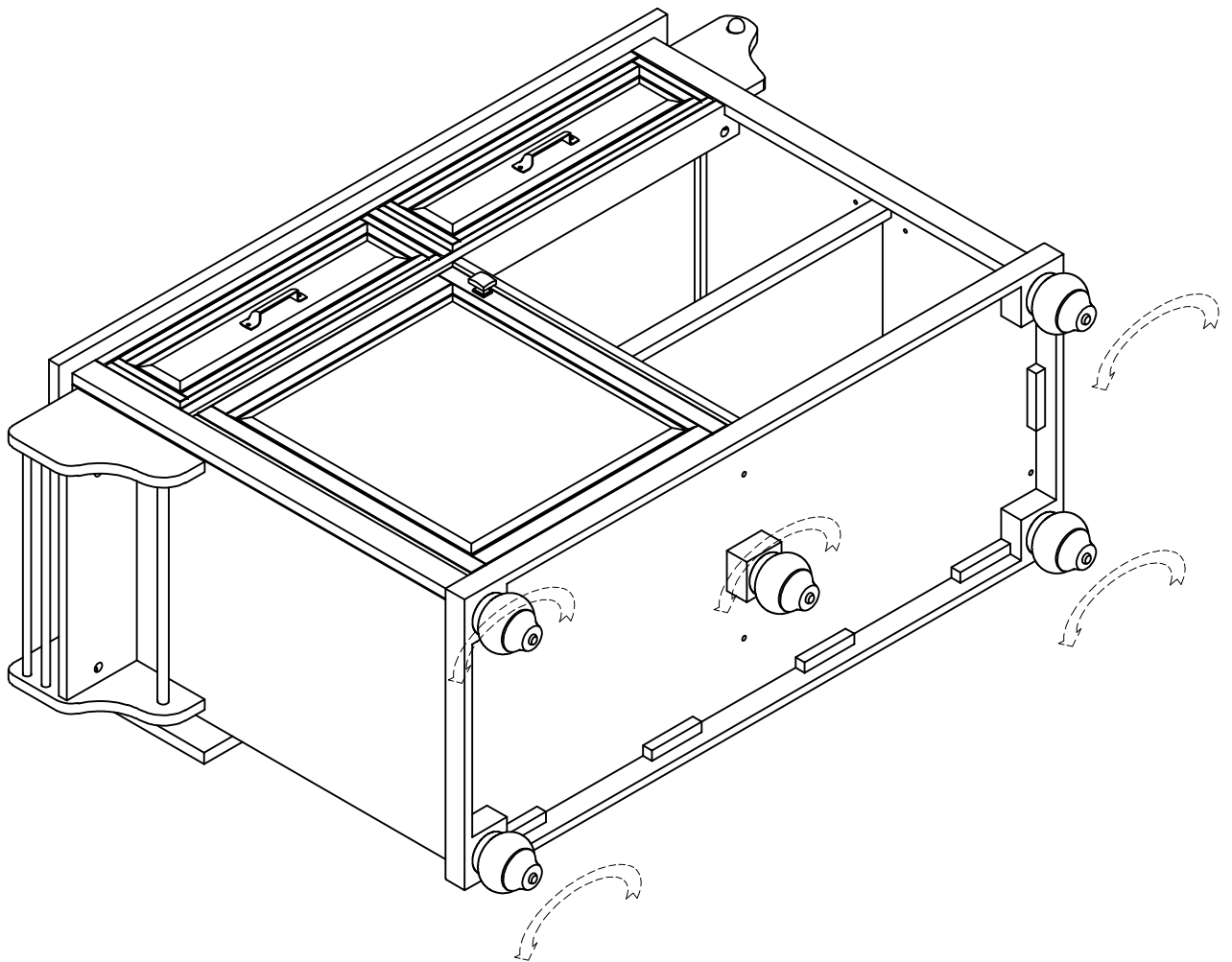


Follow below step to change it to a Cart with Casters

STEP 27

Gently lay the kitchen island flat, Make sure to place the products in a soft area to avoid any damage to the products.

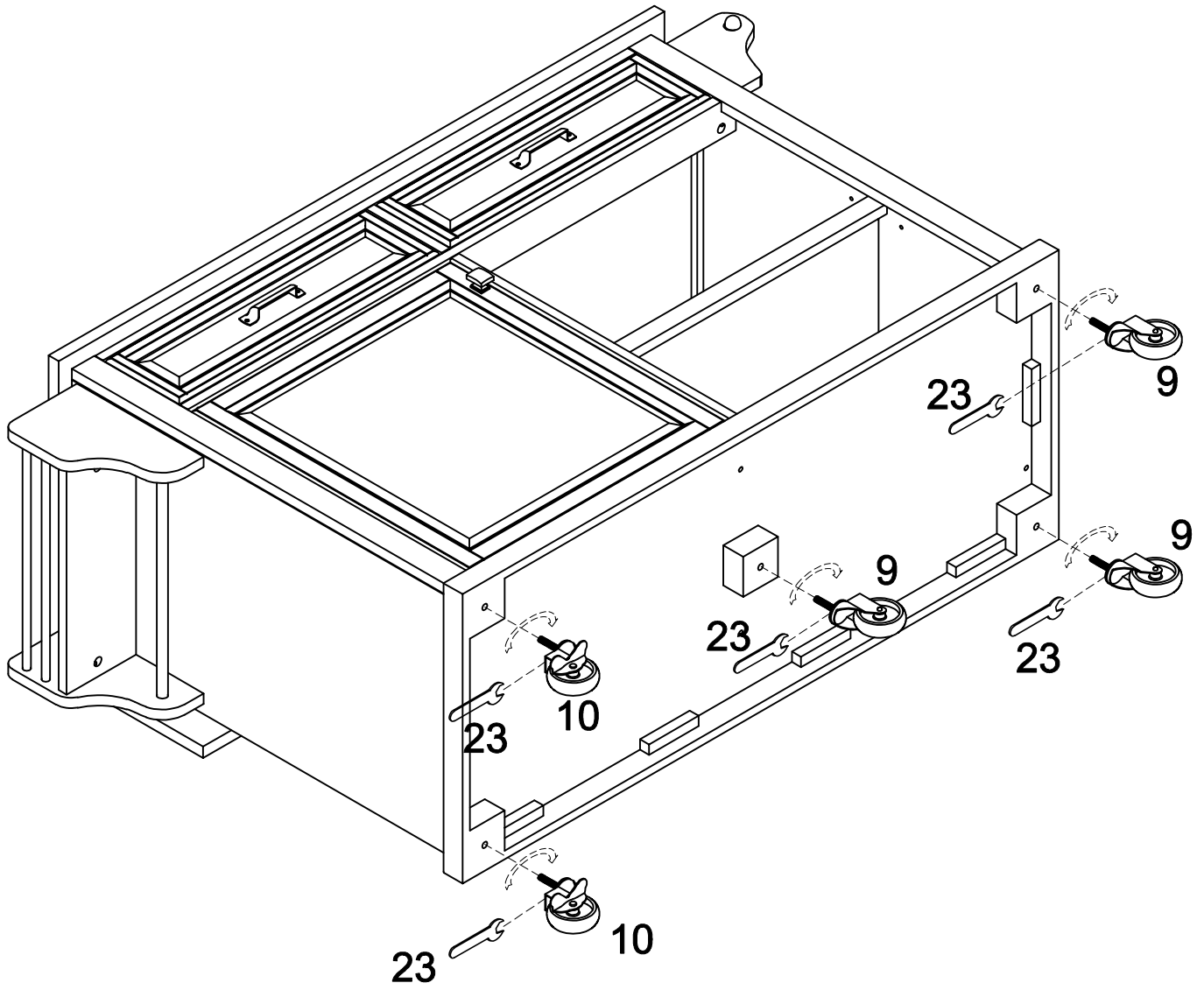
Screw the legs out by hand.






CAUTION: Heavy! You may need assistance with this step.

STEP 28

Attach casters (9) and locking casters (10) to bottom panel (F) using open wrench (23).



9 	10 	23 
CASTER 3 PCS	LOCKING CASTER 2 PCS	OPEN WRENCH 1 PC

STEP 29

Carefully place the cart upright.

The Kitchen Cart is now ready for use.

