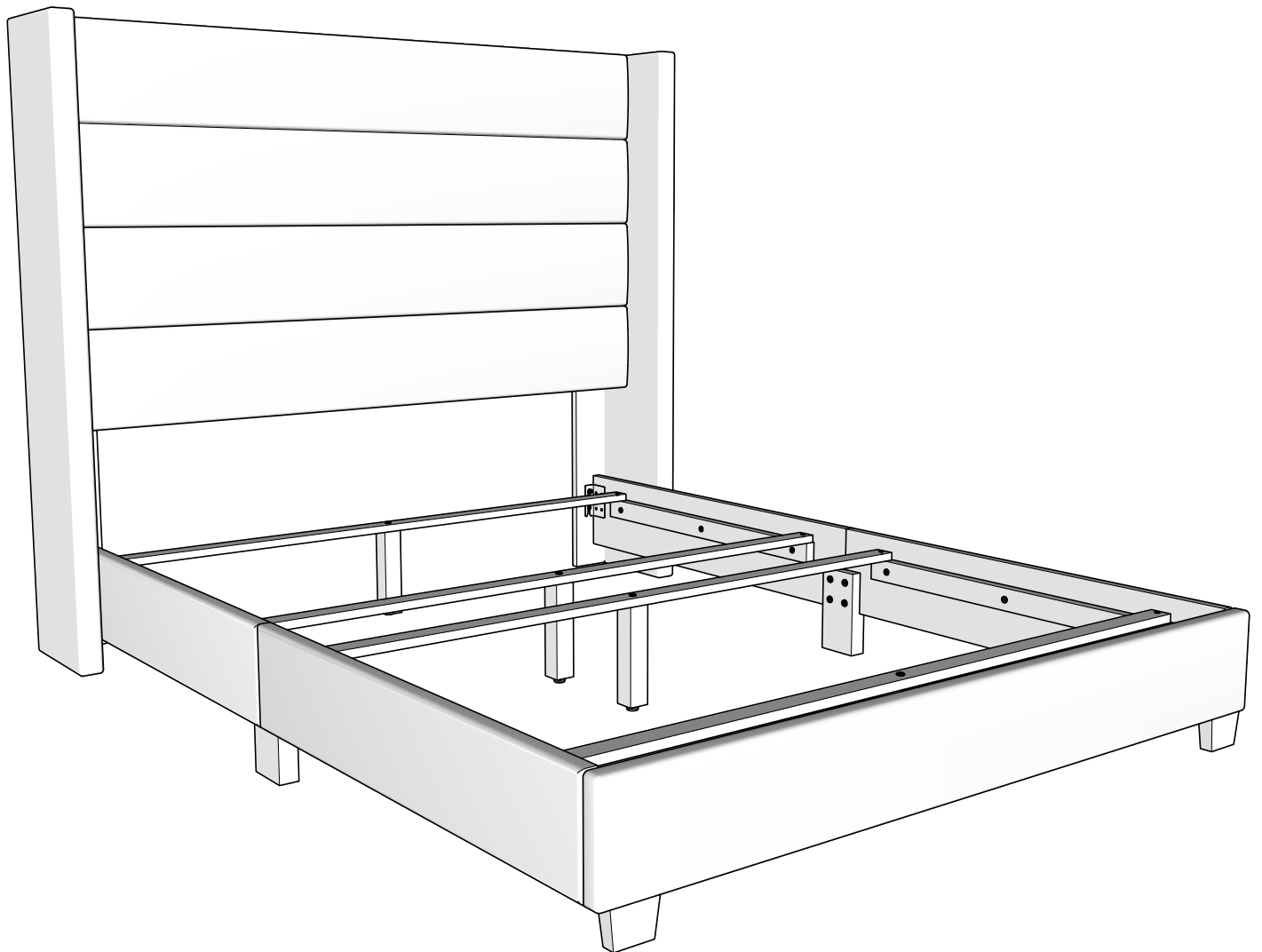


# ASSEMBLY INSTRUCTIONS





# IMPORTANT INFORMATION

Seller and Manufacturer disclaim all and any liability for property damage, personal injury, or loss, direct, indirect, or incidental, resulting from the incorrect assembly, inadequate maintenance, improper use, or neglect of this product.



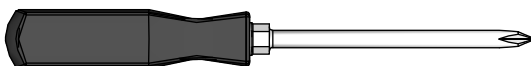
## NOTICE

- Keep these assembly instructions for future reference.
- Do not use this product if there are missing, damaged, or broken parts until repairs are made and/or factory replacement parts are installed.
- Check all packing material carefully for small hardware that may have become loose inside the carton during shipment.
- Identify and count all hardware and parts to compare with parts and hardware list.
- Follow assembly instructions closely. Improper assembly can result in personal or property damage.
- Secure all bolts before use.
- Every 90 days check all bolts are secured.
- Some parts may have a sharp corner or edge and maybe heavy.
- Do not use or store this product near open flames or around flammable chemicals.
- When placing contents on non-carpeted flooring, it's recommended to use floor protection such as an area rug or furniture pads. These are not included with the purchase.
- Do not drag or push the bed frame. To ensure safe moving, always use two people to lift and re-position the bedframe. Avoid dragging or pushing it across the floor to prevent damage to the legs, slats, and the center support legs.

## REPLACEMENT PART OR HARDWARE REQUEST:

Request a replacement by logging into the marketplace account in which the purchase was made and sending a message to the seller. To assist in expediting the request attach applicable images relevant to the request and/or part number and quantity.

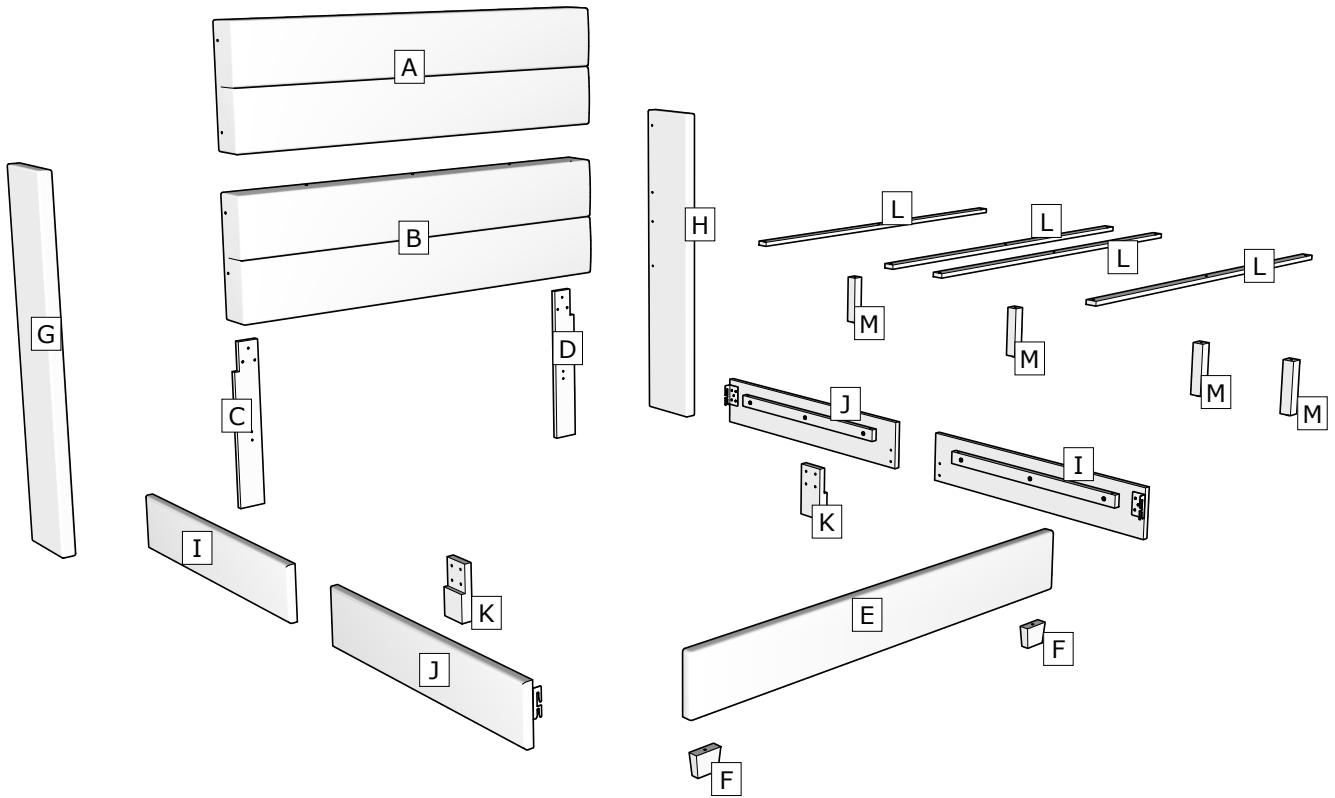
## ADDITIONAL TOOL REQUIRED:



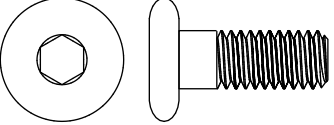
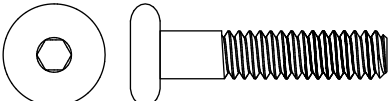
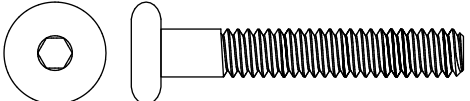
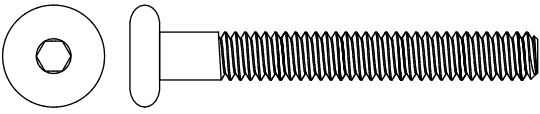

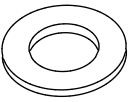
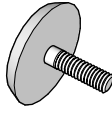

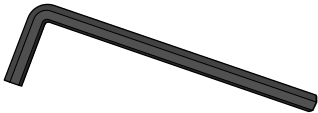
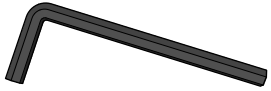
**#2 Philips Screwdriver  
(Not Provided)**

# BED PARTS



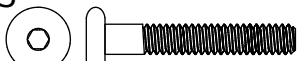
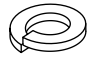
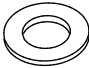

- A..... Headboard Top..... x 1
- B..... Headboard Bottom..... x 1
- C..... Headboard Leg Left..... x 1
- D..... Headboard Leg Right..... x 1
- E..... Footboard..... x 1
- F..... Footboard Side Leg..... x 2
- G..... Side Wing Left..... x 1
- H..... Side Wing Right..... x 1
- I..... Side Rail A..... x 2
- J..... Side Rail B..... x 2
- K..... Side Rail Support Leg..... x 2
- L..... Bed Slat..... x 4
- M..... Center Support Leg..... x 4

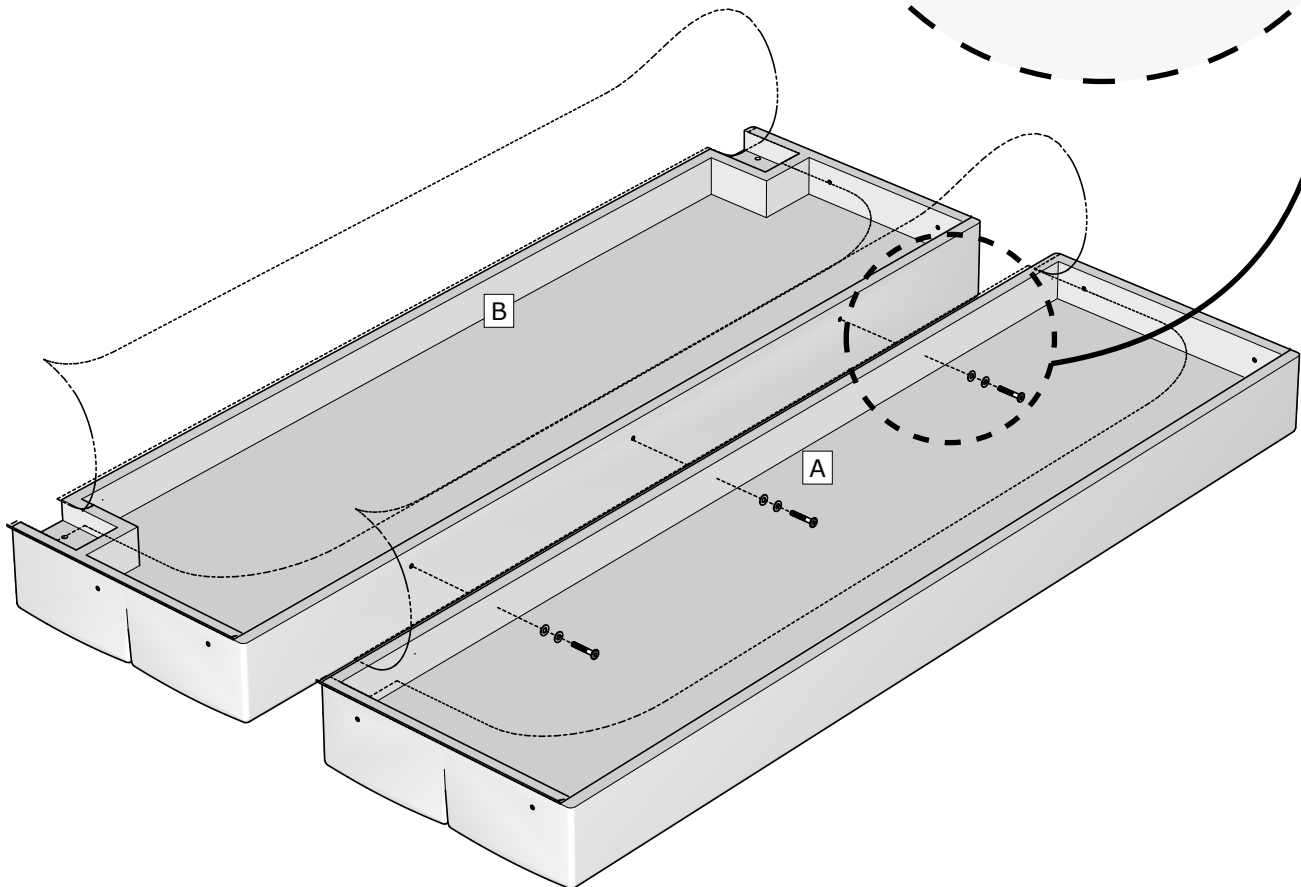
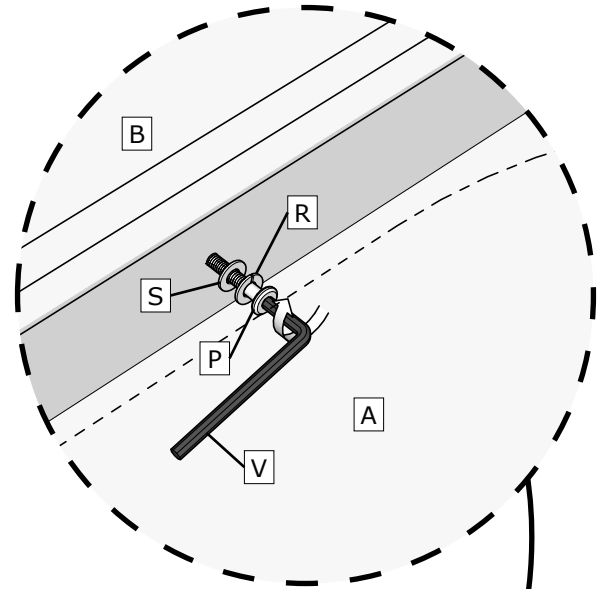


# HARDWARE

<p><b>N</b> Bolt x 8  M8 x 20mm</p>	<p><b>O</b> Bolt x 8  M6 x 30mm</p>	<p><b>P</b> Bolt x 7  M6 x 40mm</p>
<p><b>Q</b> Bolt x 16  M6 x 50mm</p>		<p><b>R</b> Spring Washer x 17  M6</p>
<p><b>S</b> Flat Washer x 19  M6</p>	<p><b>T</b> Leg Adjuster x 4 </p>	<p><b>U</b> Screw x 8  M4 x 32mm</p>
<p><b>V</b> Hex Key Wrench x 1  100mm</p>	<p><b>W</b> Hex Key Wrench x 1  70mm</p>	




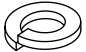

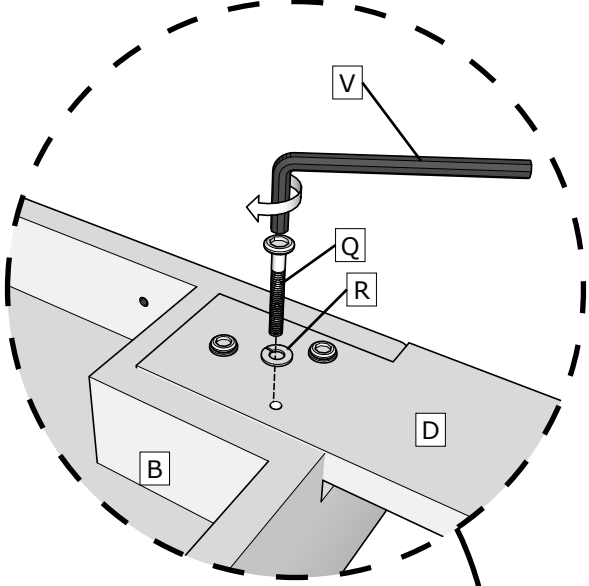
# BED ASSEMBLY STEP 1

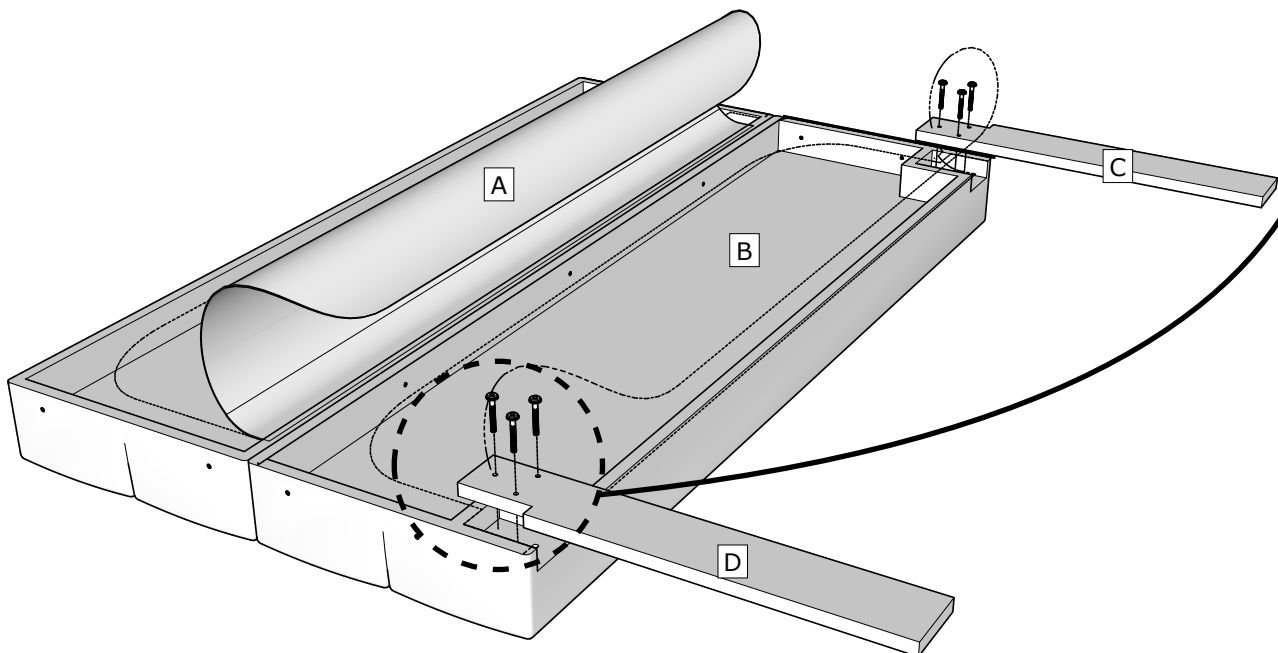
<b>A</b> x1 Headboard 	<b>B</b> x1 Headboard Bottom 	<b>P</b> x3 Bolt M6 x 40mm 	<b>R</b> x3 Spring Washer M6 
<b>S</b> x3 Flat Washer M6 	<b>V</b> x1 Hex Key Wrench 100mm 		



Attach **A** to **B** with **P** , **R** , and **S** using a Hex Key Wrench **V** as shown.




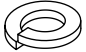


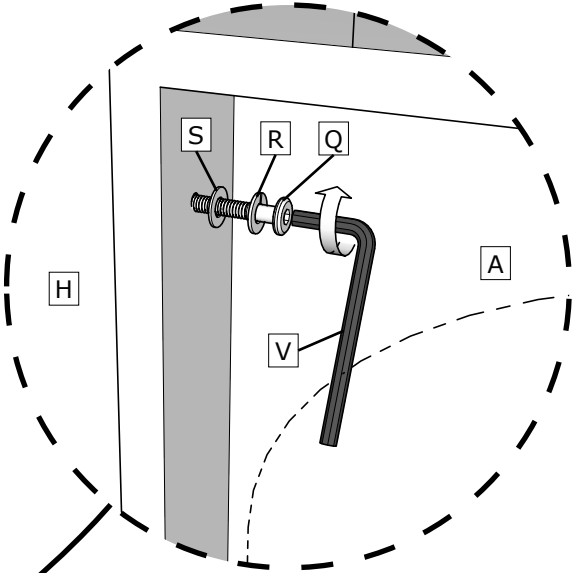
# BED ASSEMBLY STEP 2

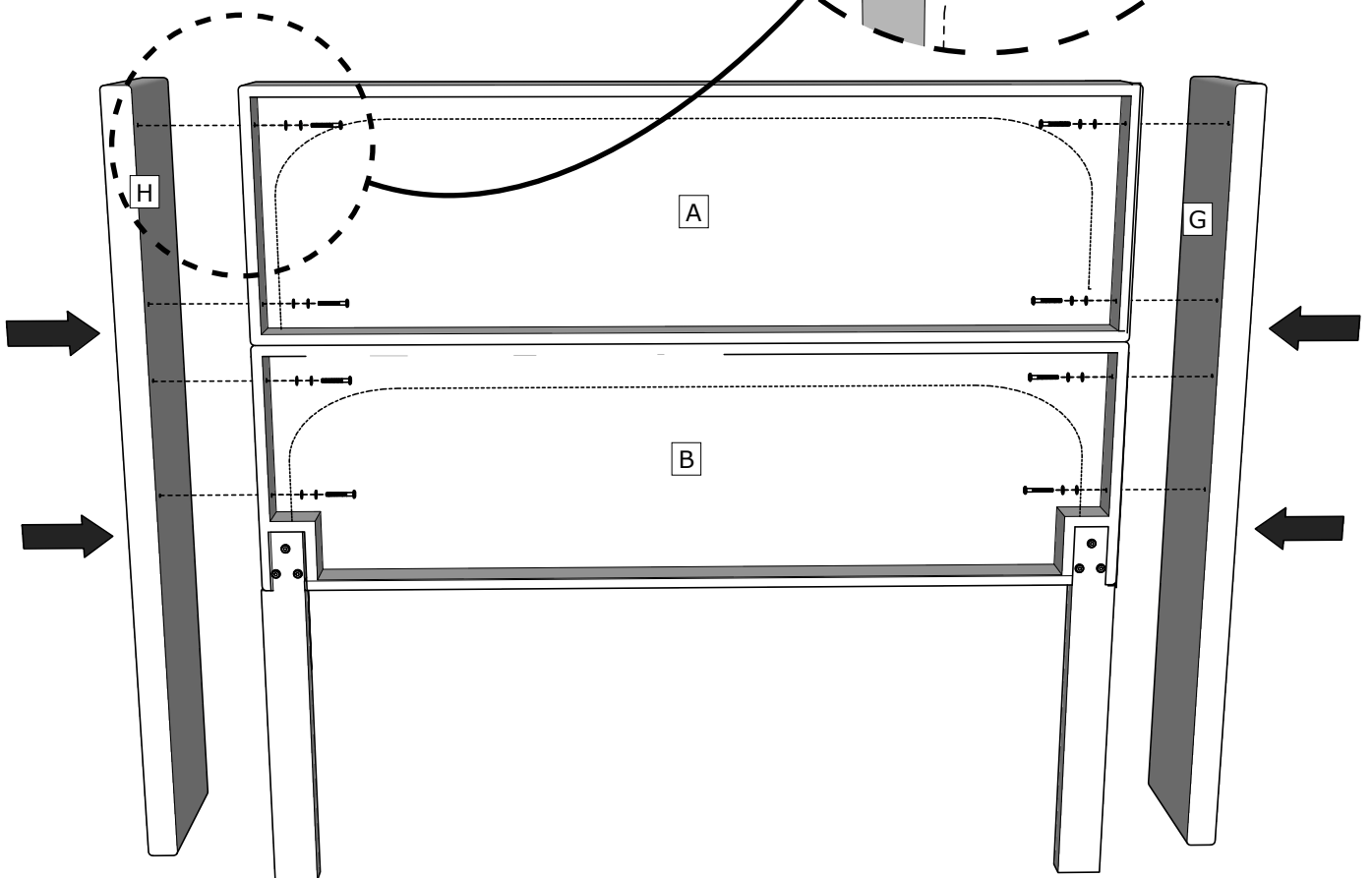
<b>C</b> Headboard Leg Left x1 	<b>D</b> Headboard Leg Right x1 	<b>Q</b> Bolt x6 M6 x 50mm 	<b>R</b> Spring Washer x6 M6 
<b>V</b> Hex Key Wrench x1 100mm 			



Attach **C** and **D** to Assembled Headboard with **Q** and **R** using a Hex Key Wrench **V** as shown.

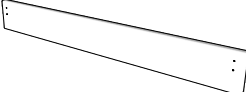
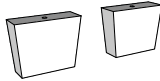
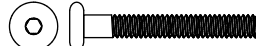

# BED ASSEMBLY STEP 3

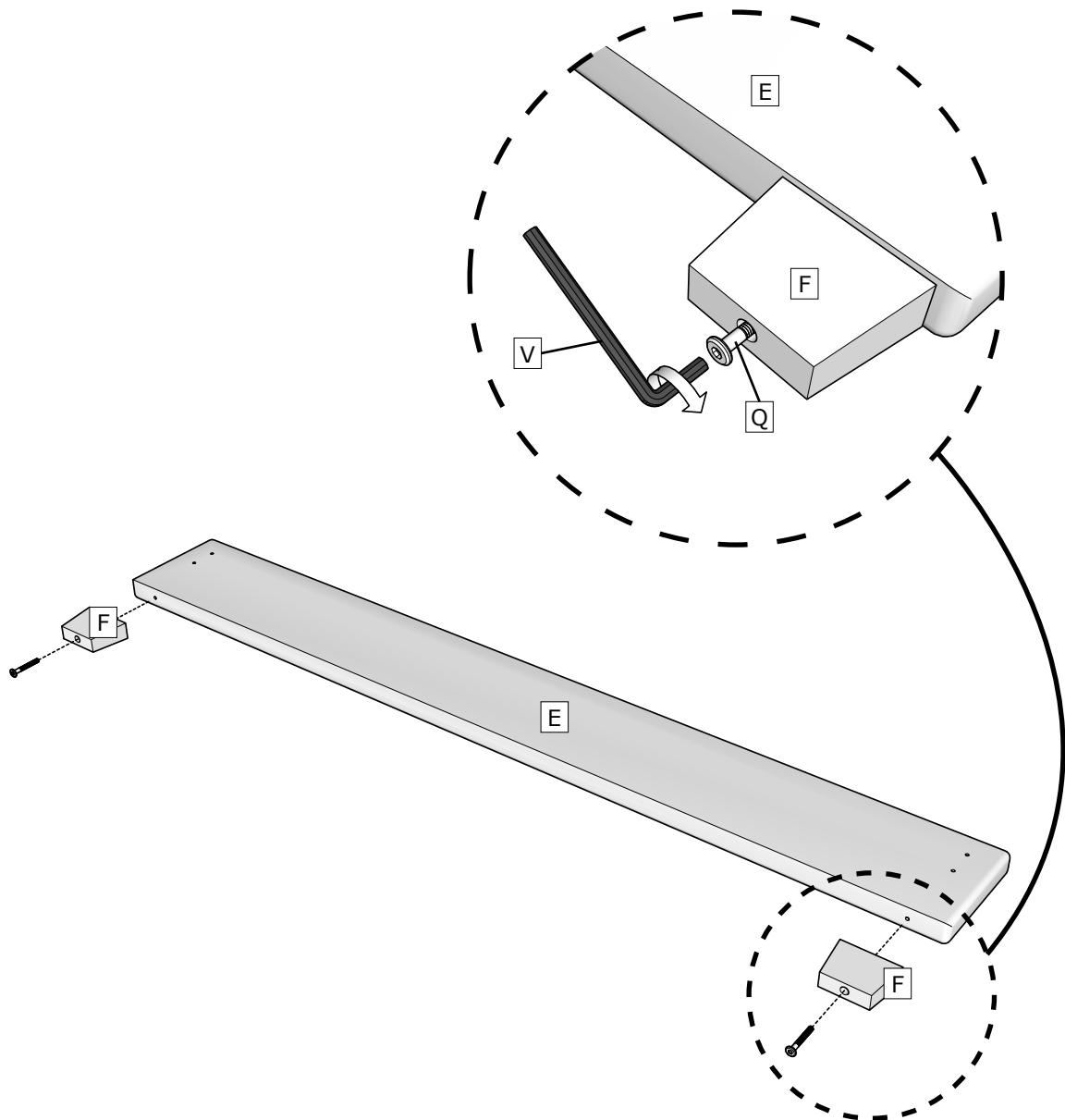
<b>G</b> Side Wing Left x1 	<b>H</b> Side Wing Right x1 	<b>Q</b> Bolt x8  M6 x 50mm	<b>R</b> Spring Washer x8  M6
<b>S</b> Flat Washer x8  M6	<b>V</b> Hex Key Wrench x1  100mm		



Attach **G** and **H** to Assembled Headboard with **Q**, **R**, and **S** using a Hex Key Wrench **V** as shown.

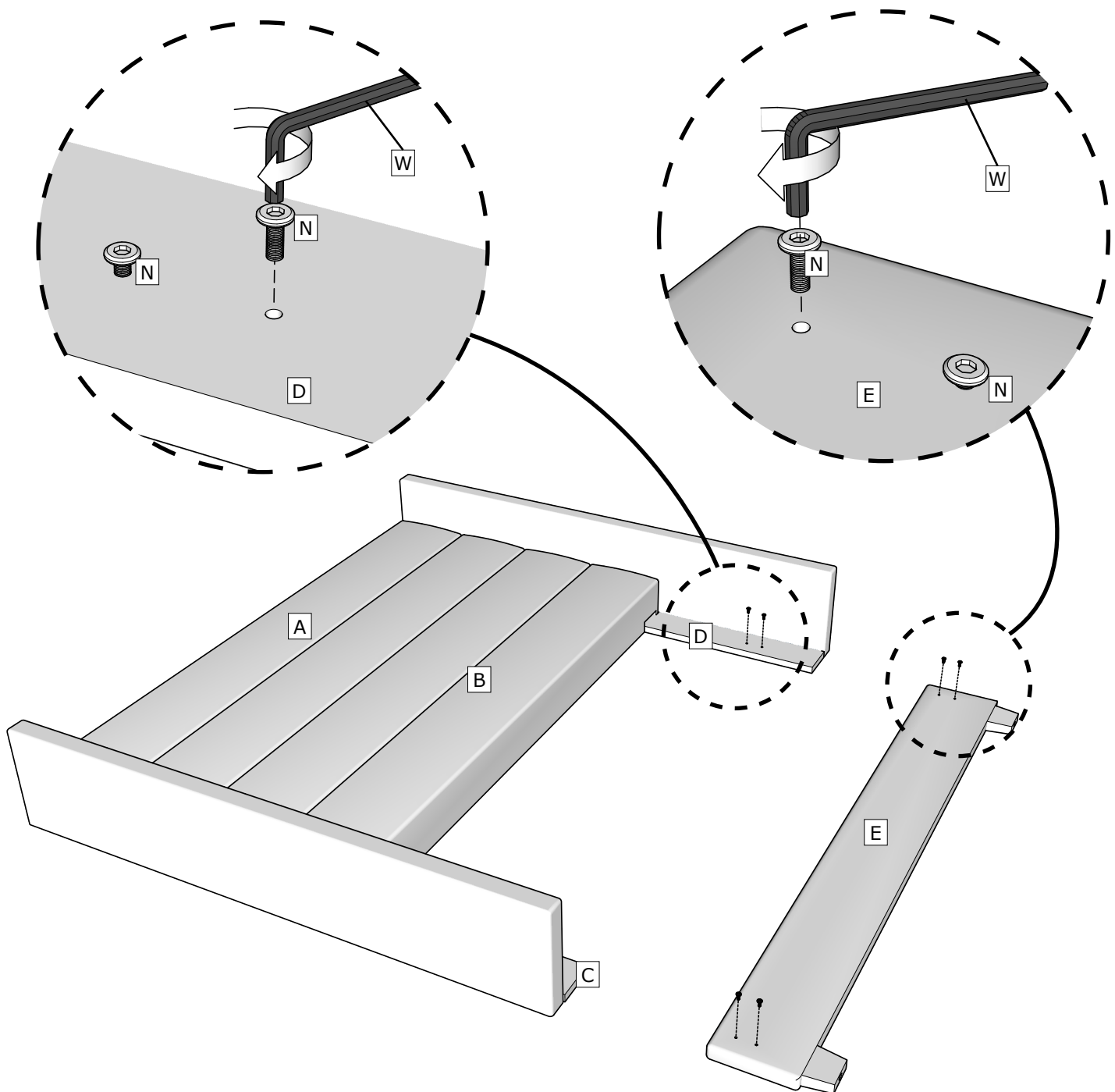
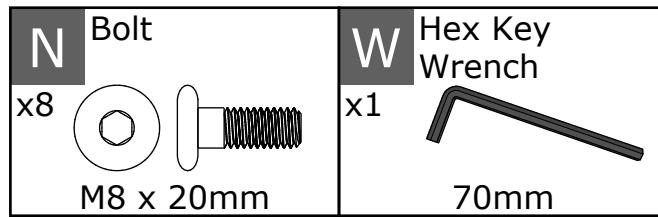
# BED ASSEMBLY STEP 4

<b>E</b> Footboard x1 	<b>F</b> Footboard Side Leg x2 	<b>Q</b> Bolt x2 M6 x 50mm 	<b>V</b> Hex Key Wrench x1 100mm 
--	--	---	---



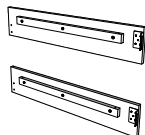
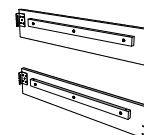
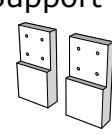
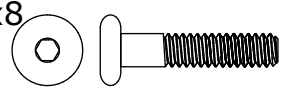


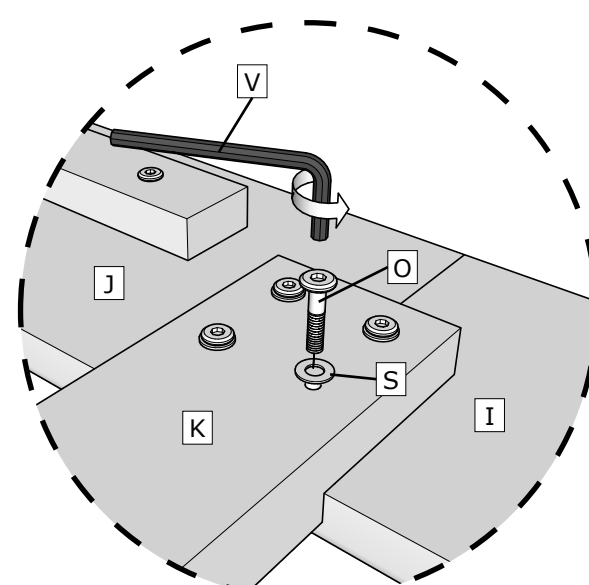
Attach **F** to **E** with **Q** using a Hex Key Wrench **V** as shown.

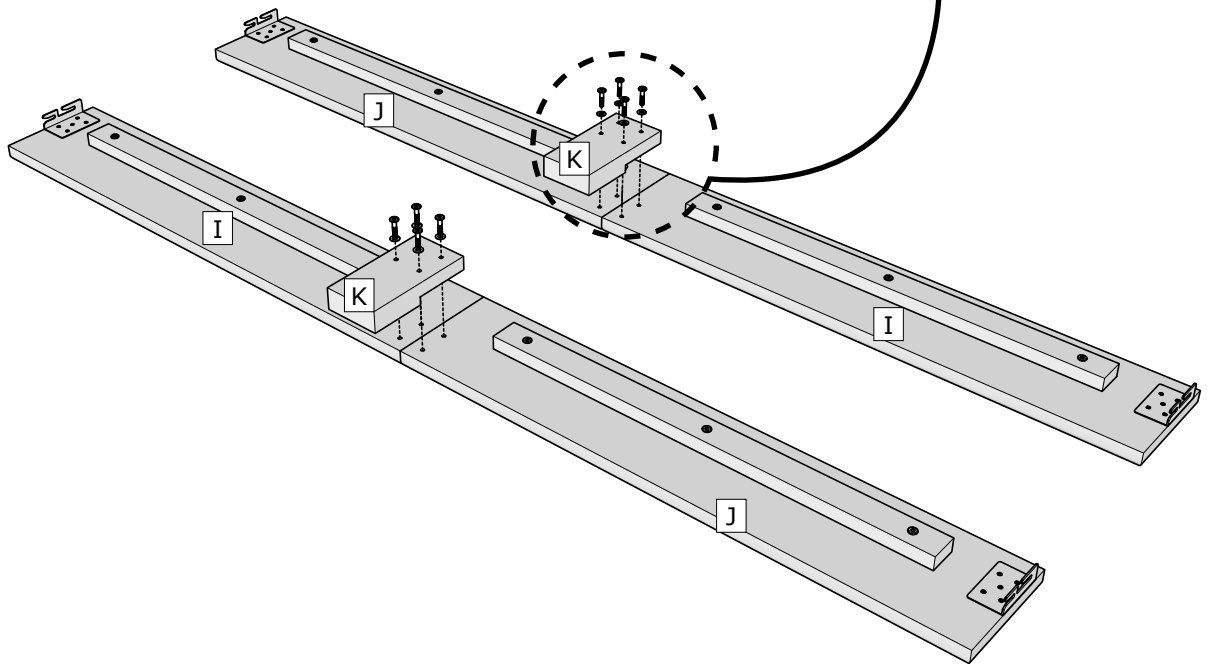
# BED ASSEMBLY STEP 5



Attach **N** to Assembled Headboard and Assembled Footboard using a Hex Key Wrench **W** as shown.  
Do not tighten **N** at this point.

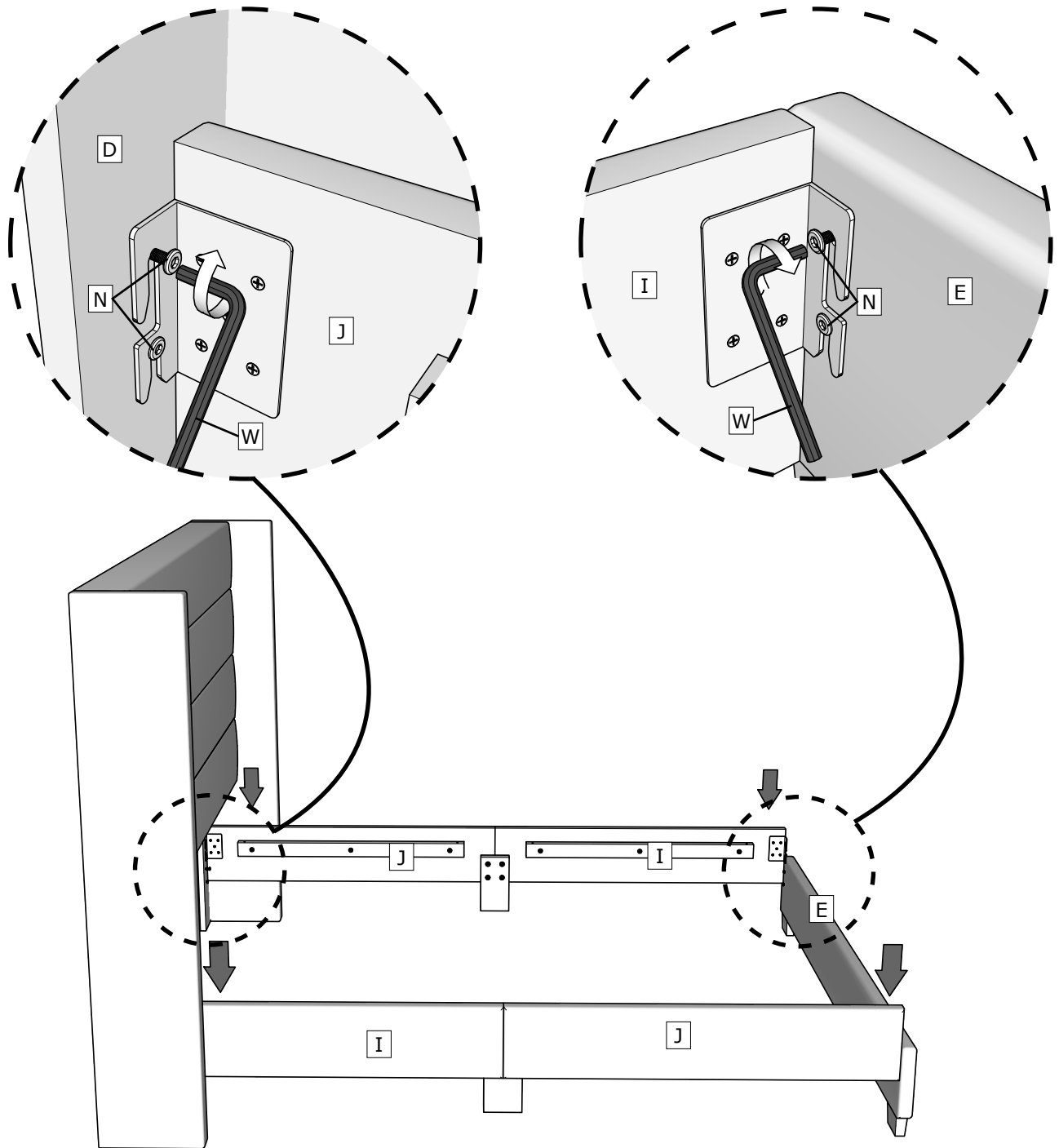
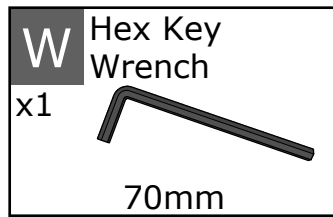
# BED ASSEMBLY STEP 6

<b>I</b> Side Rail A x2 	<b>J</b> Side Rail B x2 	<b>K</b> Side Rail Support Leg x2 	<b>O</b> Bolt x8 M6 x 30mm 
<b>S</b> Flat Washer x8 M6 	<b>V</b> Hex Key Wrench x1 100mm 		



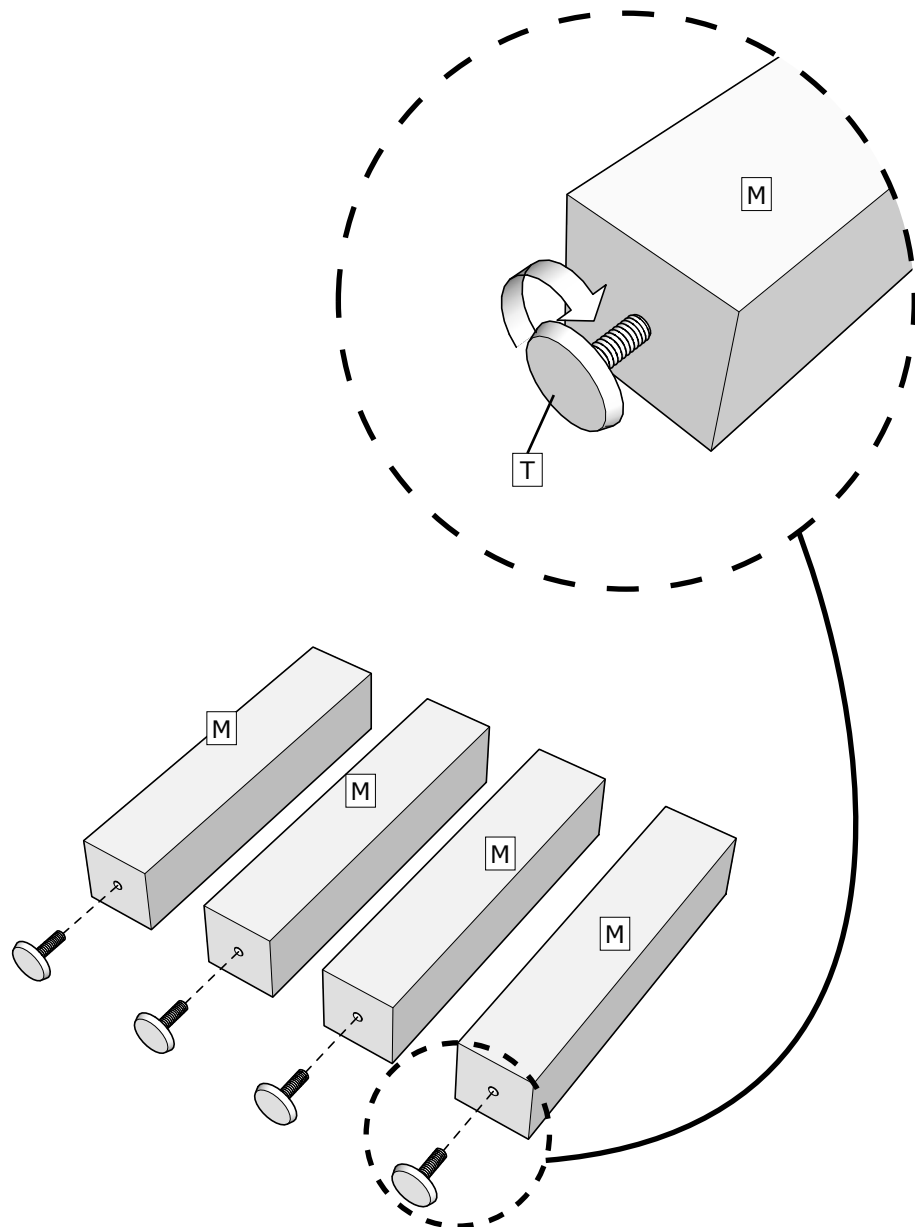
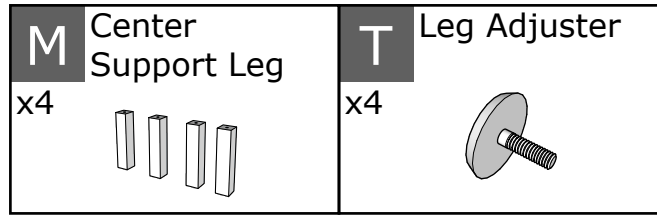
Attach **K** to **I** and **J** with **O** and **S** using a Hex Key Wrench **V** as shown.

# BED ASSEMBLY STEP 7



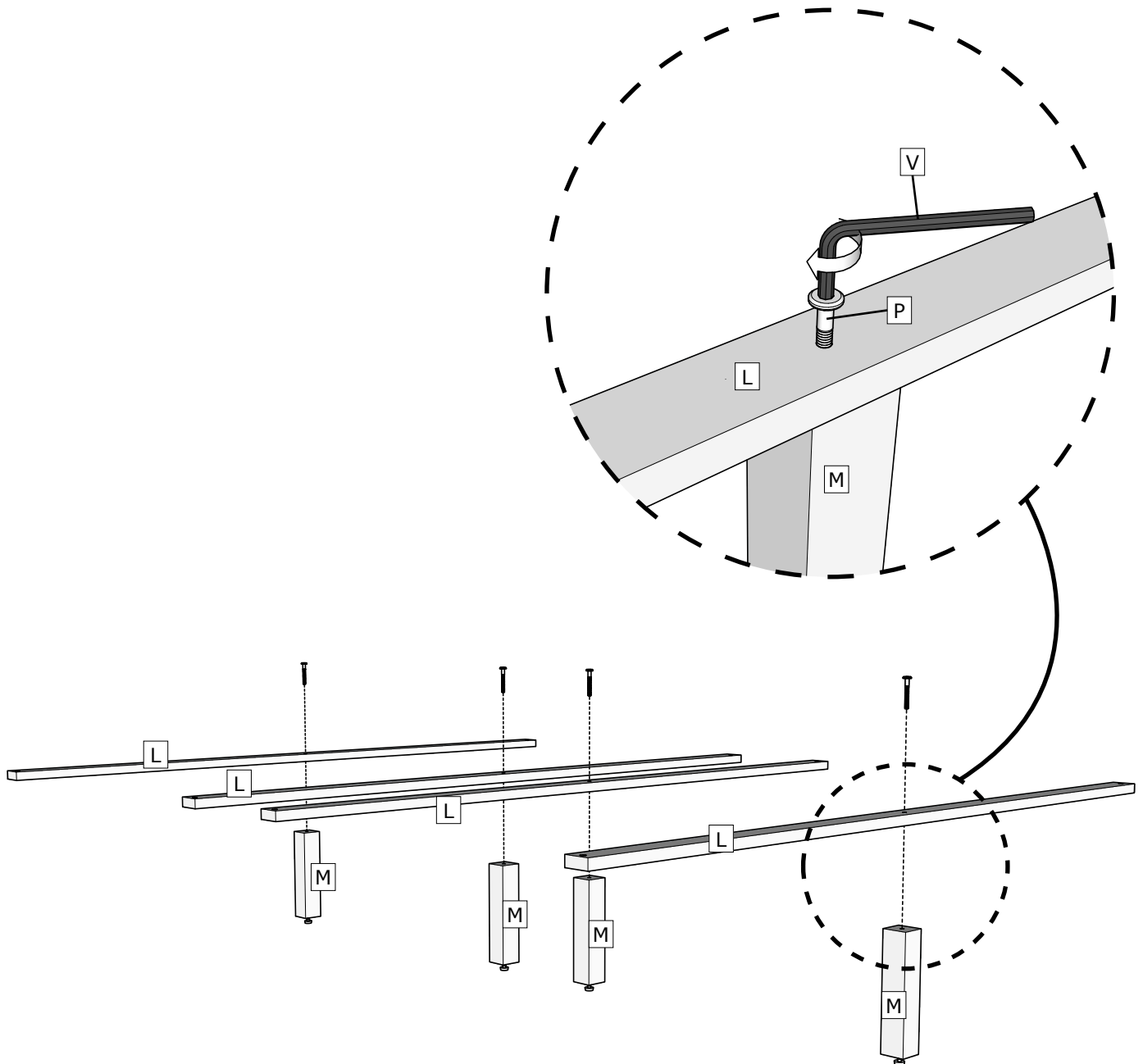
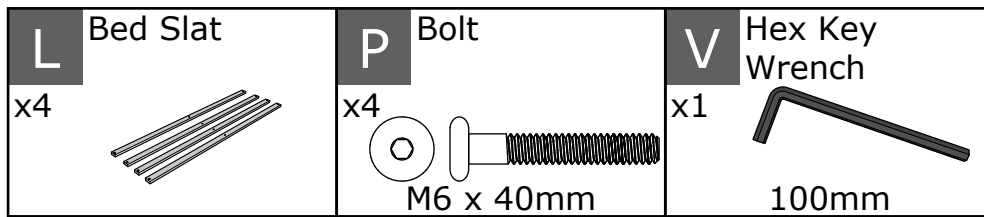
Attach Assembled Side Rails to Assembled Headboard and Assembled Footboard with the pre-attached **N** using a Hex Key Wrench **W** as shown.

# BED ASSEMBLY STEP 8





Insert **T** to **M** as shown.

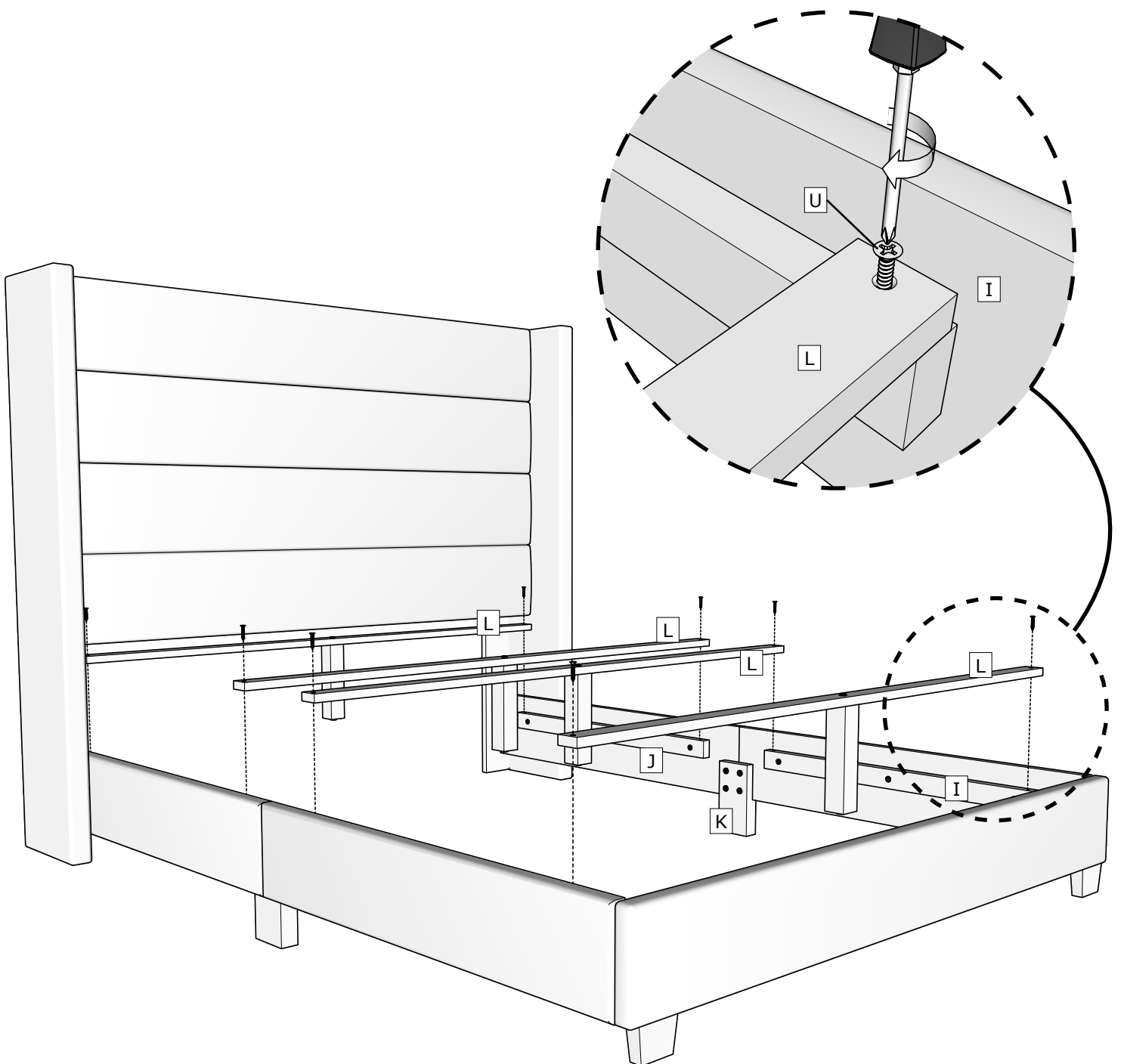
# BED ASSEMBLY STEP 9



Attach **L** to **M** with **P** using a Hex Key Wrench **V** as shown.

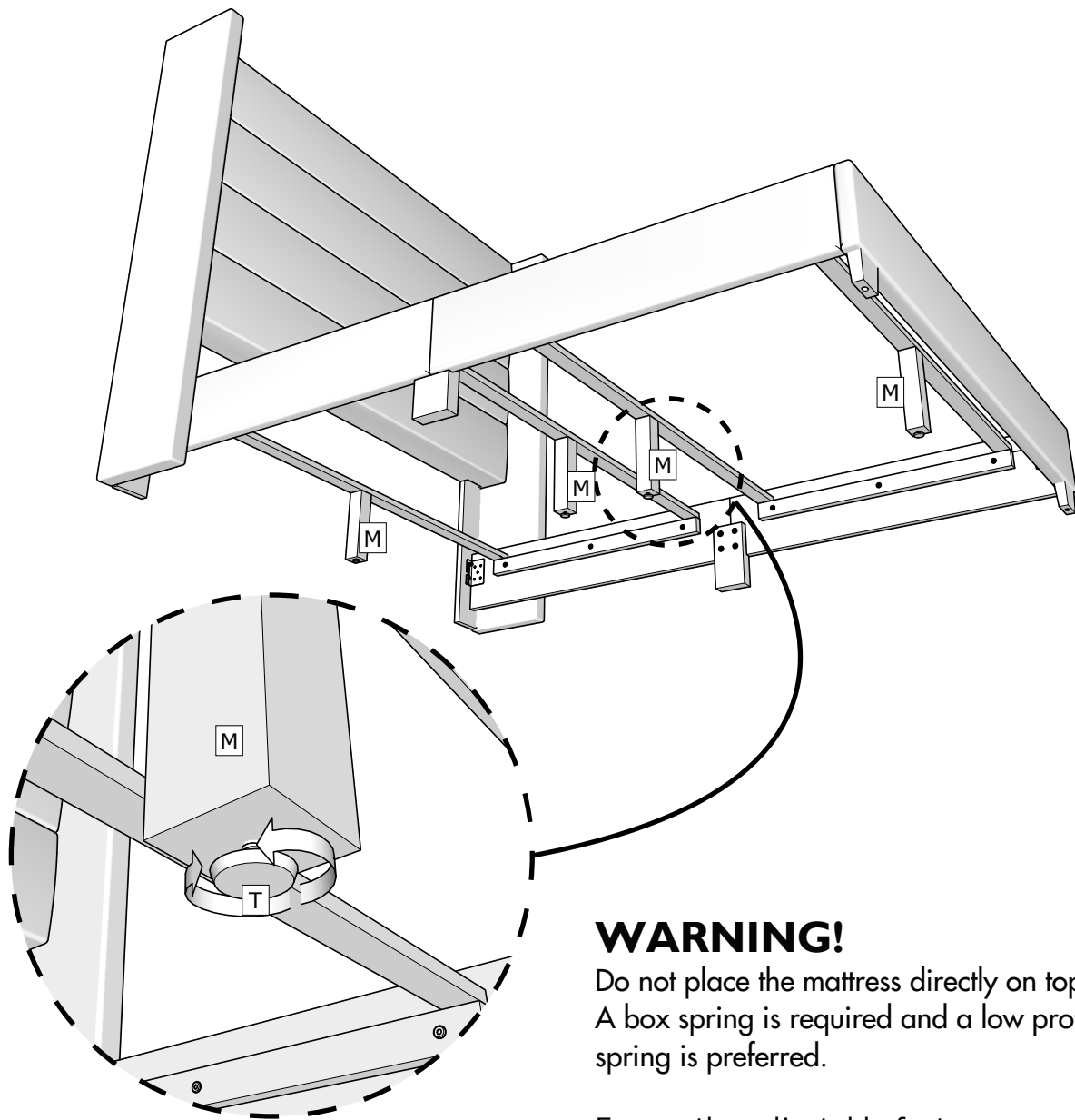
# BED ASSEMBLY STEP 10

<b>U</b> Screw	Philips Screwdriver
x8	
 M4 x 32mm	Not provided



Attach Assembled Bed Slat to Assembled Bed with **U** using a Philips Screwdriver as shown.

# BED ASSEMBLY STEP 10



## **WARNING!**

Do not place the mattress directly on top of the slats. A box spring is required and a low profile box spring is preferred.

Ensure the adjustable feet are perpendicular to the floor before using the bed. Rotate them clockwise or counterclockwise until firmly against the floor.

Do not drag or push the bed frame. To ensure safe moving, always use two people to lift and re-position the bed frame. Avoid dragging or pushing it across the floor to prevent damage to the legs, slats, and center support legs.

**Note:** The adjustable feet rotate to fit the floor; one may need clockwise rotation while the other counterclockwise, depending on leveling and assembly