










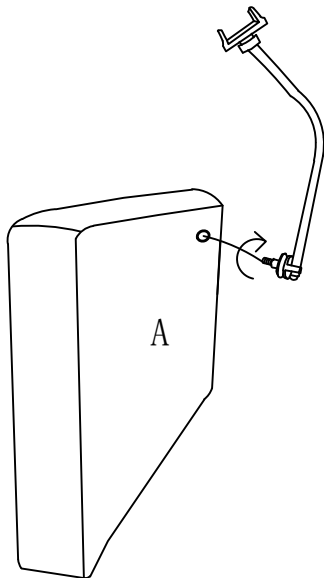


Accessories list

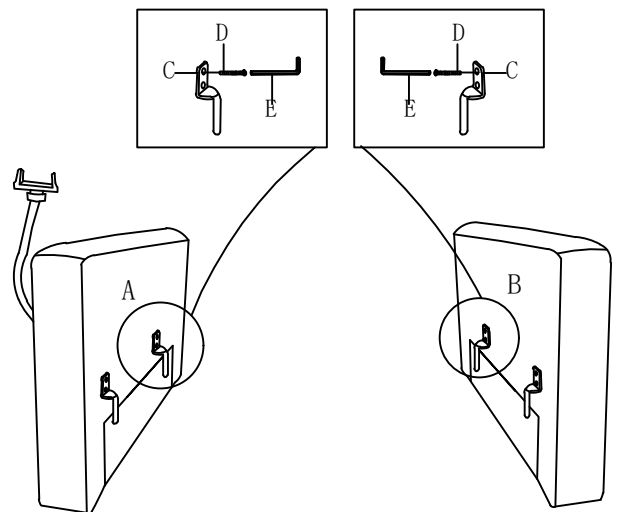
Armrest(sitting sofa)

<p>A</p>  <p>Right armrest (1)</p>	<p>B</p>  <p>Left armrest (1)</p>	<p>C</p>  <p>(XL8009)Hardware (4)</p>	<p>D</p>  <p>6*18 Screw (8)</p>	<p>E</p>  <p>M4*100*40 Wrench (1)</p>	<p>F</p>  <p>606#Sofa foot (2)</p>
<p>G</p>  <p>60*60 Woolenmat (2)</p>	<p>H</p>  <p>8*65 Screw (2)</p>	<p>I</p>  <p>8*17 Gasket (2)</p>	<p>J</p>  <p>M5*105*55 Wrench (1)</p>	<p>K</p>  <p>Armrest phone holder (1)</p>	

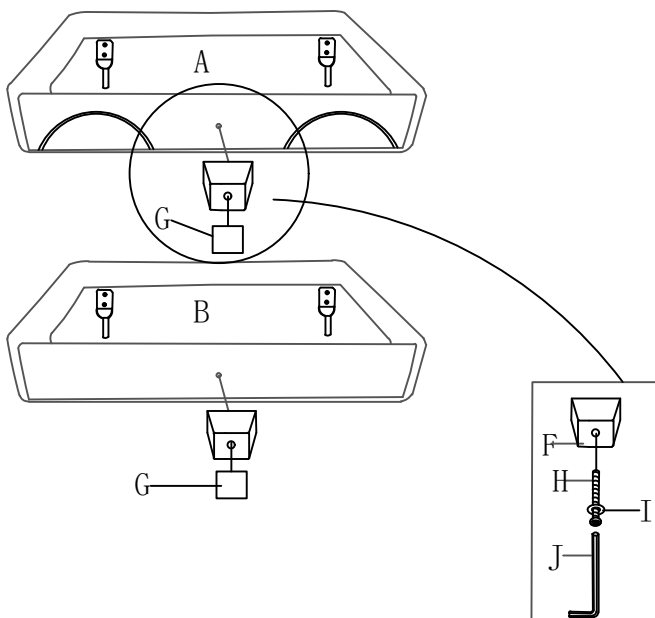
STEP1: Install the armrest phone holder that sits on the right armrest.



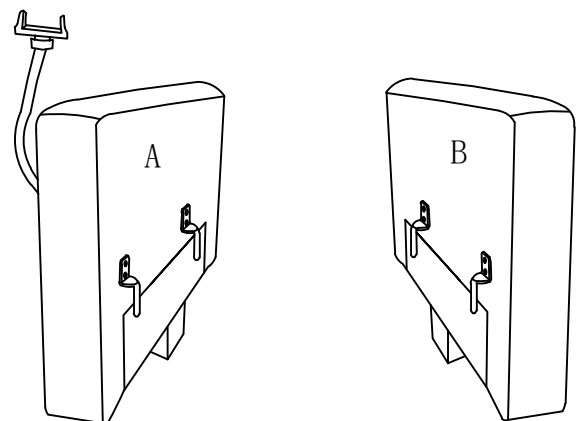
STEP2: Install armrest screw



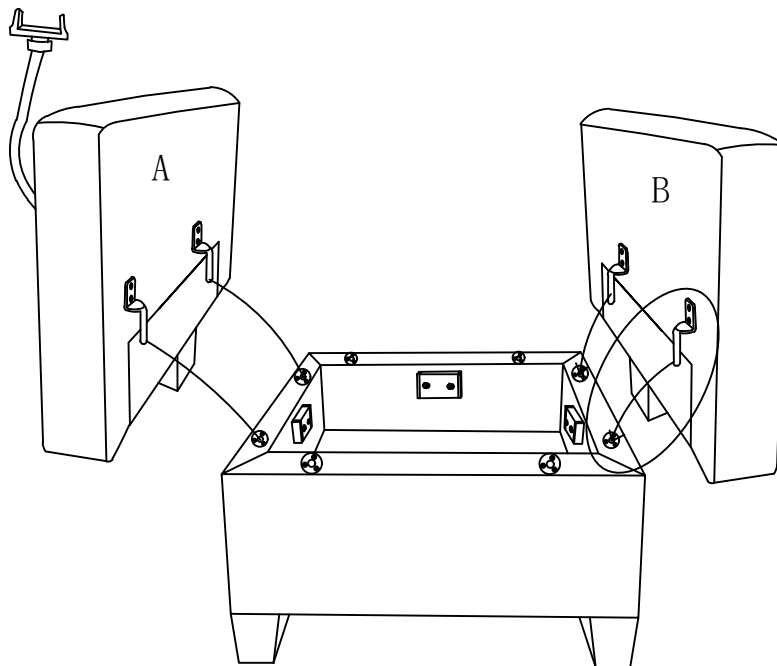
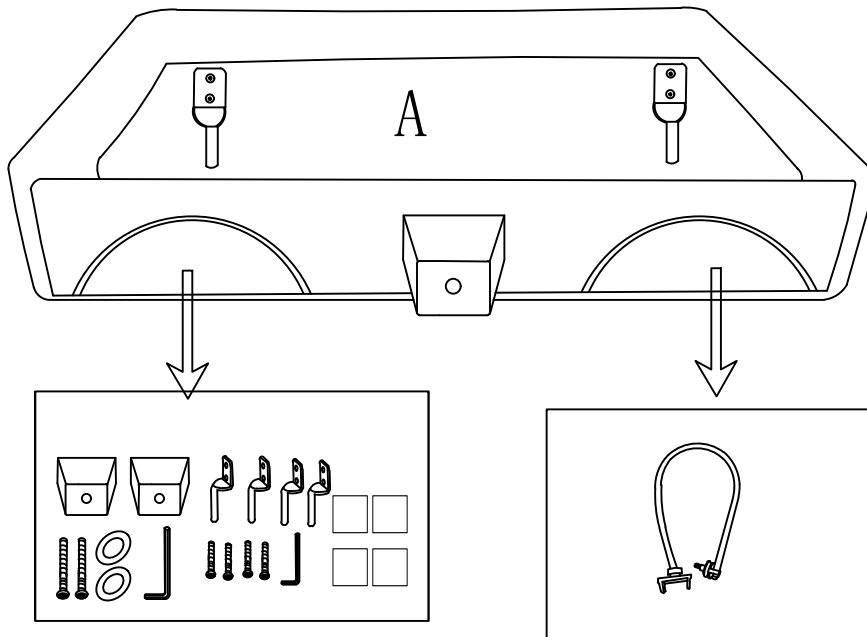
STEP3: Install armrest feet and woolenmat



STEP4: Assembly completed.






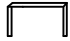



Armrest feet, hawaeand and armrest phone holder brackets are placed on the inner side of the armrest base fabric.

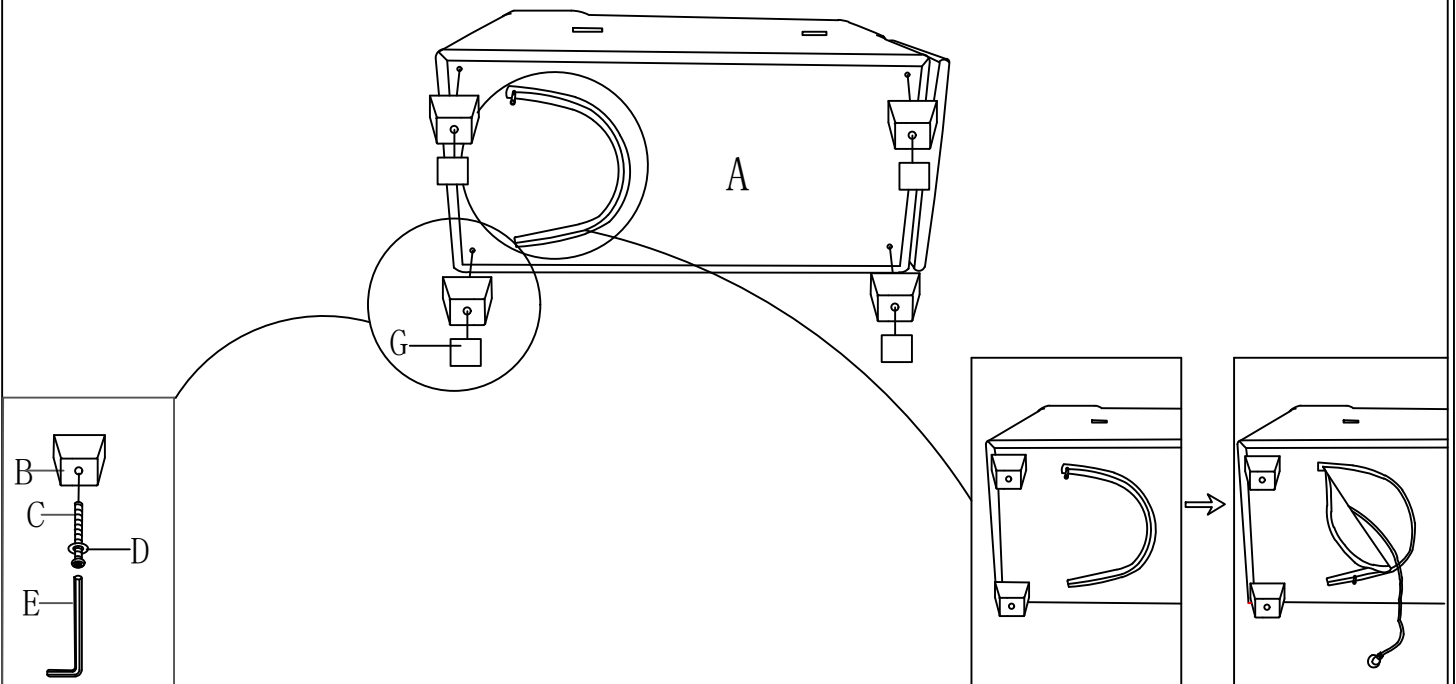


Accessories list

End table

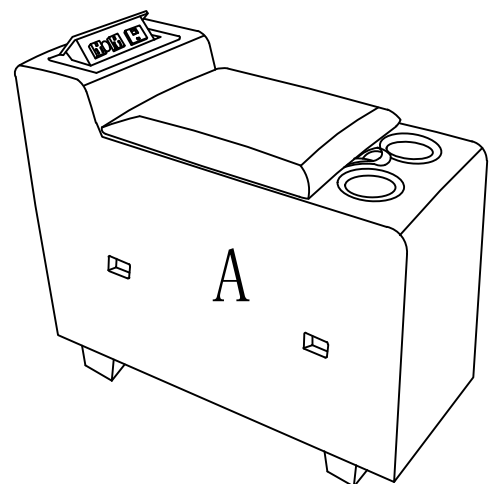
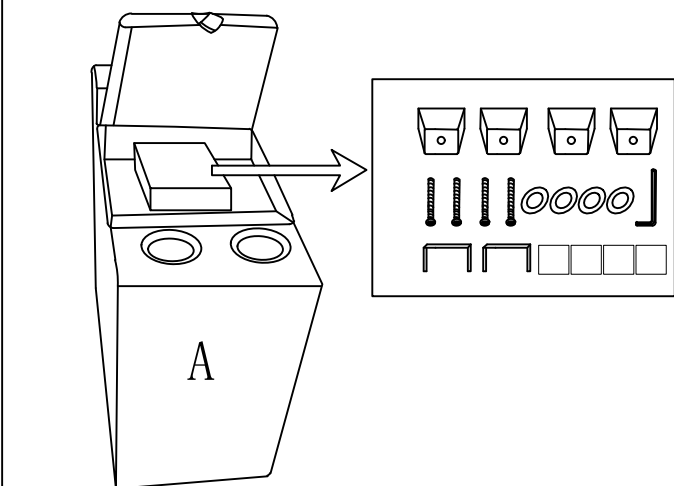
<p>A</p>  <p>End table(1)</p>	<p>B</p>  <p>606#Sofa foot(4)</p>	<p>C</p>  <p>8*65 Screw(4)</p>	<p>D</p>  <p>8*17 Gasket(4)</p>	<p>E</p>  <p>M5*105*55 Wrench(1)</p>	<p>F</p>  <p>(F-8944) U connector(2)</p>	<p>G</p>  <p>60*60 Woolenmat(4)</p>
--	--	---	--	--	---	--

STEP1: Install end table feet and woolenmat, Pull out the power cord from the bottom zipper pocket.

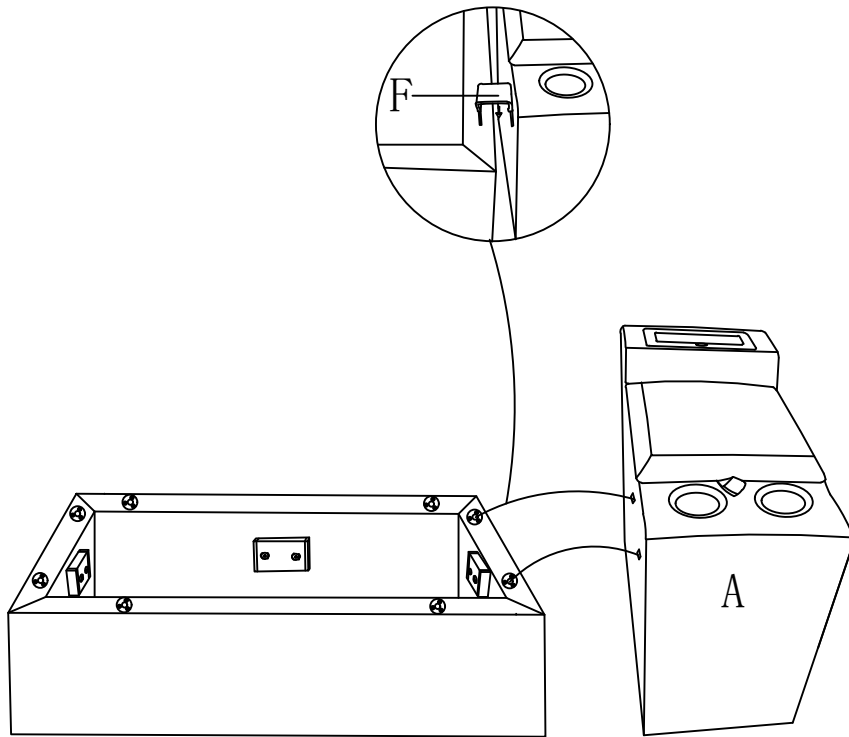


STEP2:
End table feet hardware is in the end table frames.

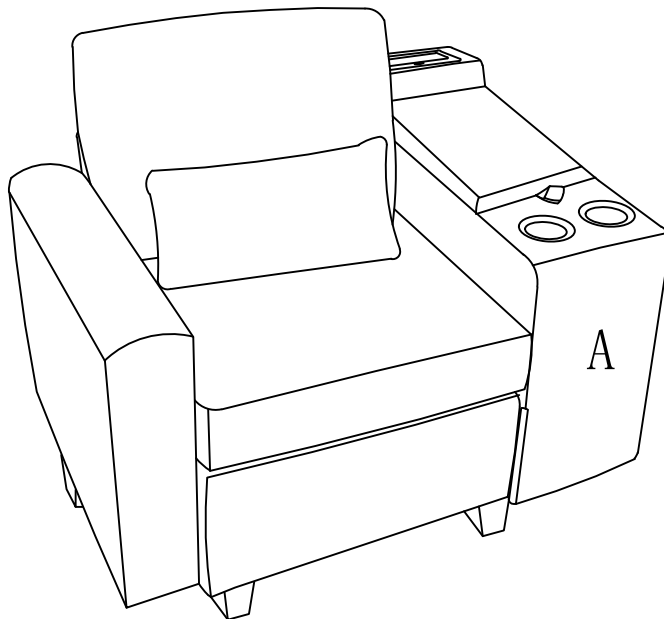
STEP3:
Assembly completed



STEP 4: Connect the sofa and the edge with U connector hardware.



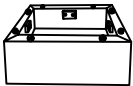

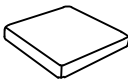






STEP 5: Assembly completed



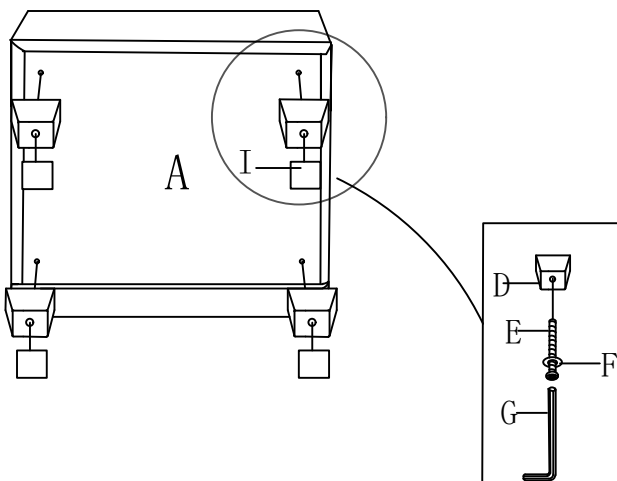
Customer Support E-mail Address: service-jarenie@hotmail.com

Accessories list

OTTOMAN

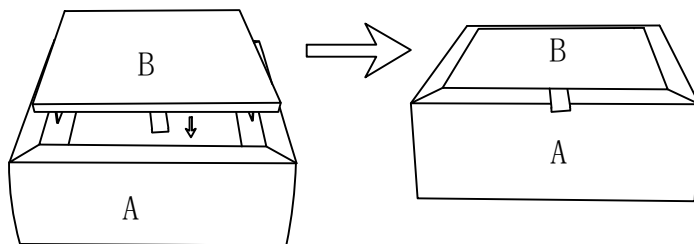
<p>A</p>  <p>Ottoman frame(1)</p>	<p>B</p>  <p>Ottoman base plate(1)</p>	<p>C</p>  <p>Ottoman cushion(1)</p>	<p>D</p>  <p>606#Sofa foot(4)</p>	<p>E</p>  <p>8*65 Screw(4)</p>
<p>F</p>  <p>8*17 Gasket(4)</p>	<p>G</p>  <p>M5*105*55 Wrench(1)</p>	<p>H</p>  <p>(F-8944)U connector(2)</p>	<p>I</p>  <p>60*60 Woolenmat(4)</p>	

STEP1: Install the ottoman feet and woolenmat



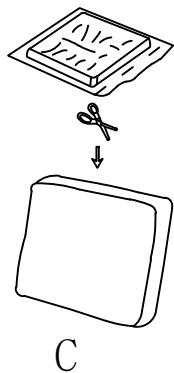
STEP2:

place the base plate to ottoman.



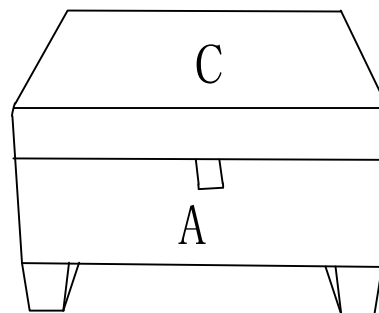
STEP3:

Cut the compression bag

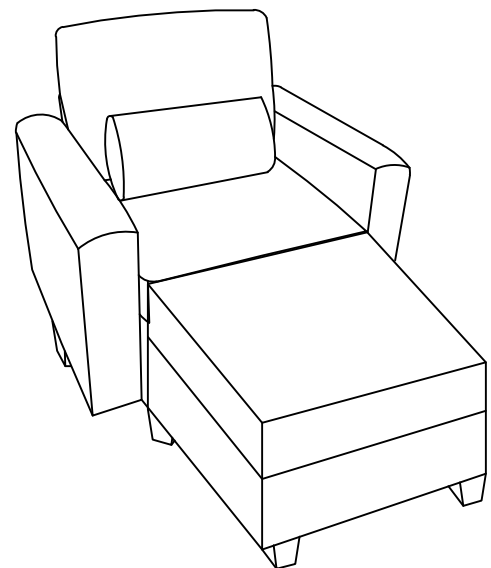
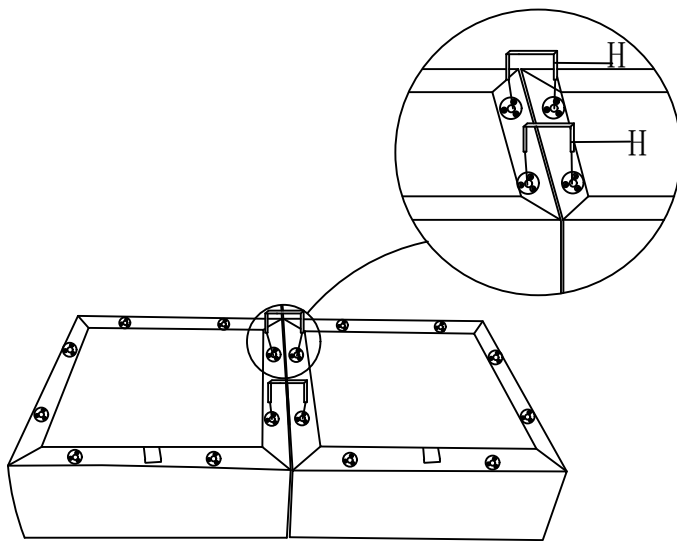
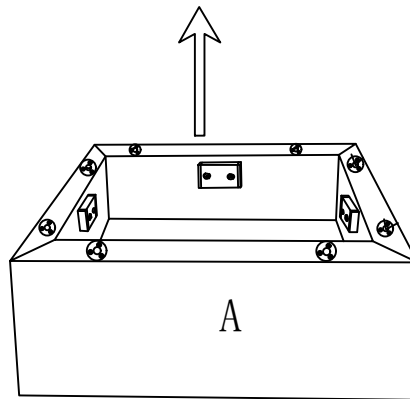
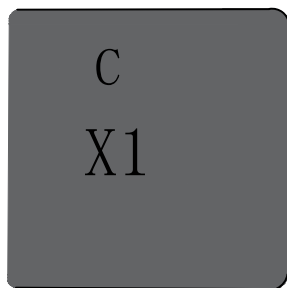
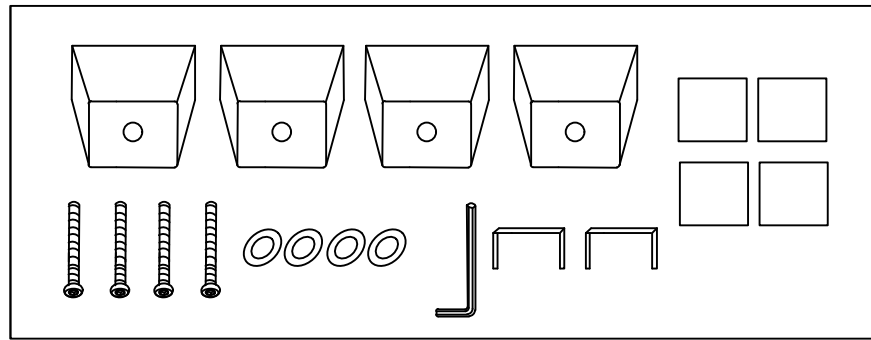


STEP4:

Assembly completed

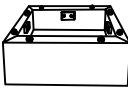
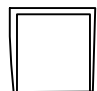

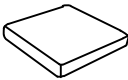













Sofa feet, hardware and ottoman cushion are placed in the ottoman frame.

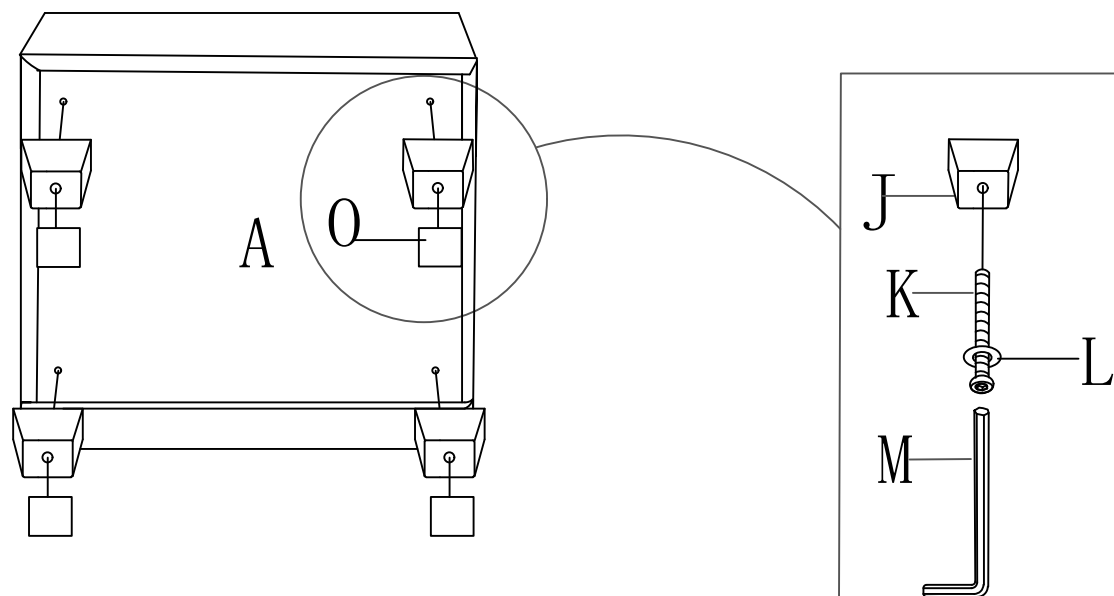


Accessories list

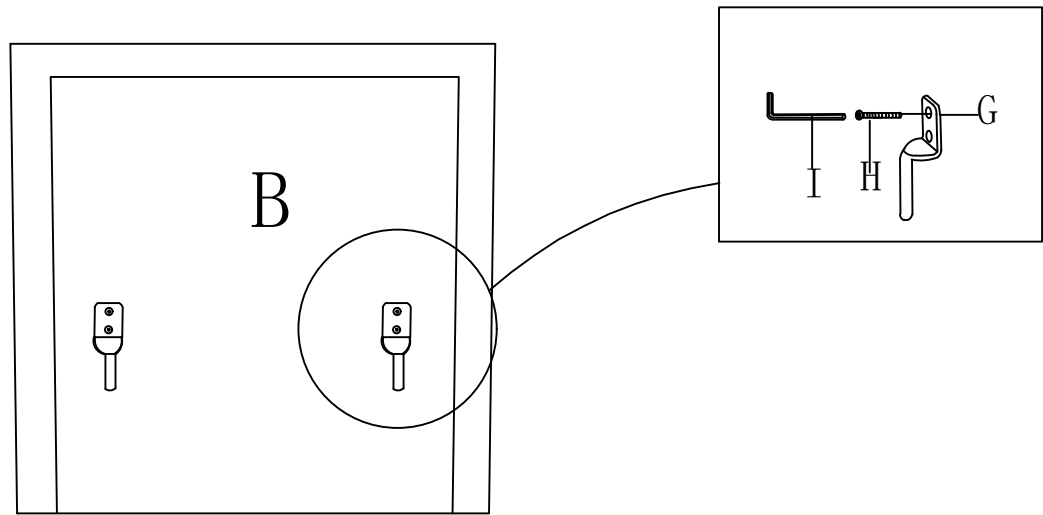
1 Seater

<p>A</p>  <p>Seat frame(1)</p>	<p>B</p>  <p>Backrest(1)</p>	<p>C</p>  <p>Seat frame plate(1)</p>	<p>D</p>  <p>Seat cushion(1)</p>	<p>E</p>  <p>Back cushion(1)</p>
<p>F</p>  <p>Soft bag(1)</p>	<p>G</p>  <p>(XL8009) Hardware (2)</p>	<p>H</p>  <p>6*18 Screw(4)</p>	<p>I</p>  <p>M4*100*40 Wrench(1)</p>	<p>J</p>  <p>606#Sofa foot (4)</p>
<p>K</p>  <p>8*65 Screw(4)</p>	<p>L</p>  <p>8*17 Gasket(4)</p>	<p>M</p>  <p>M5*105*55 Wrench(1)</p>	<p>N</p>  <p>(F-8944)U connector(2)</p>	<p>O</p>  <p>60*60 Woolenmat(4)</p>

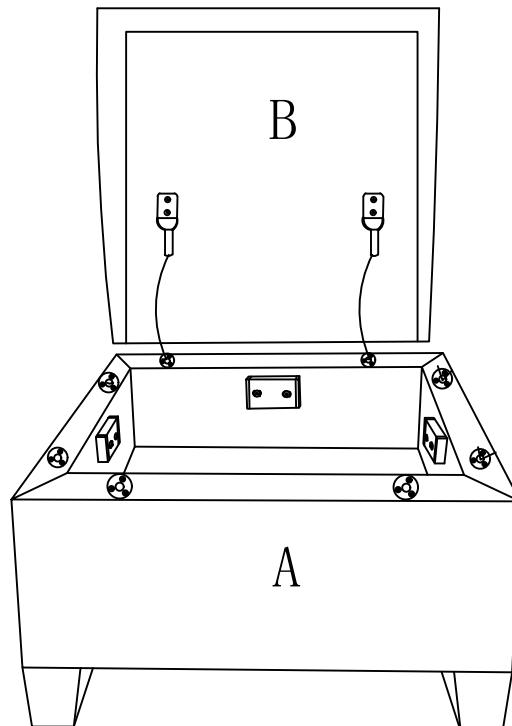
STEP1: Install the legs of sofa and woolenmat



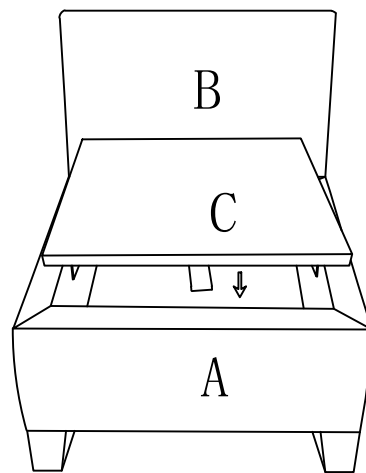
STEP2: Install backrest hardware.



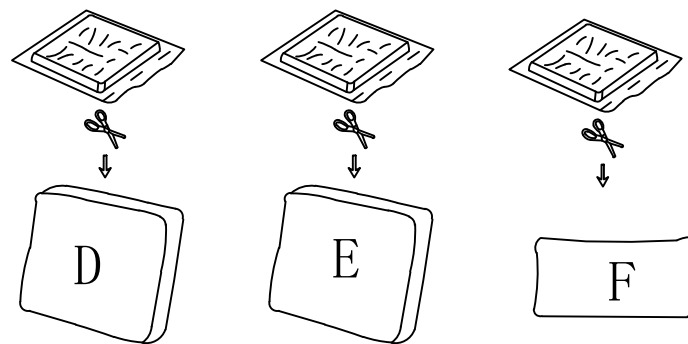
STEP3: Inesrt the backrest into the sofa base.



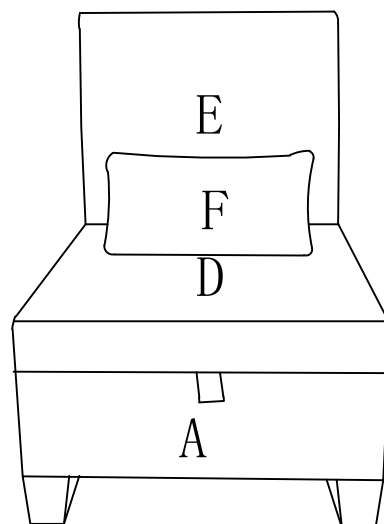
STEP4: Put the seat frame plate board at the seat frame



STEP5: Cut the compression bag.



STEP6: Assembly completed



Sofa feet and hardware, seat cushion ,back cushion, and sofa bag are all placed in the seat frame.

