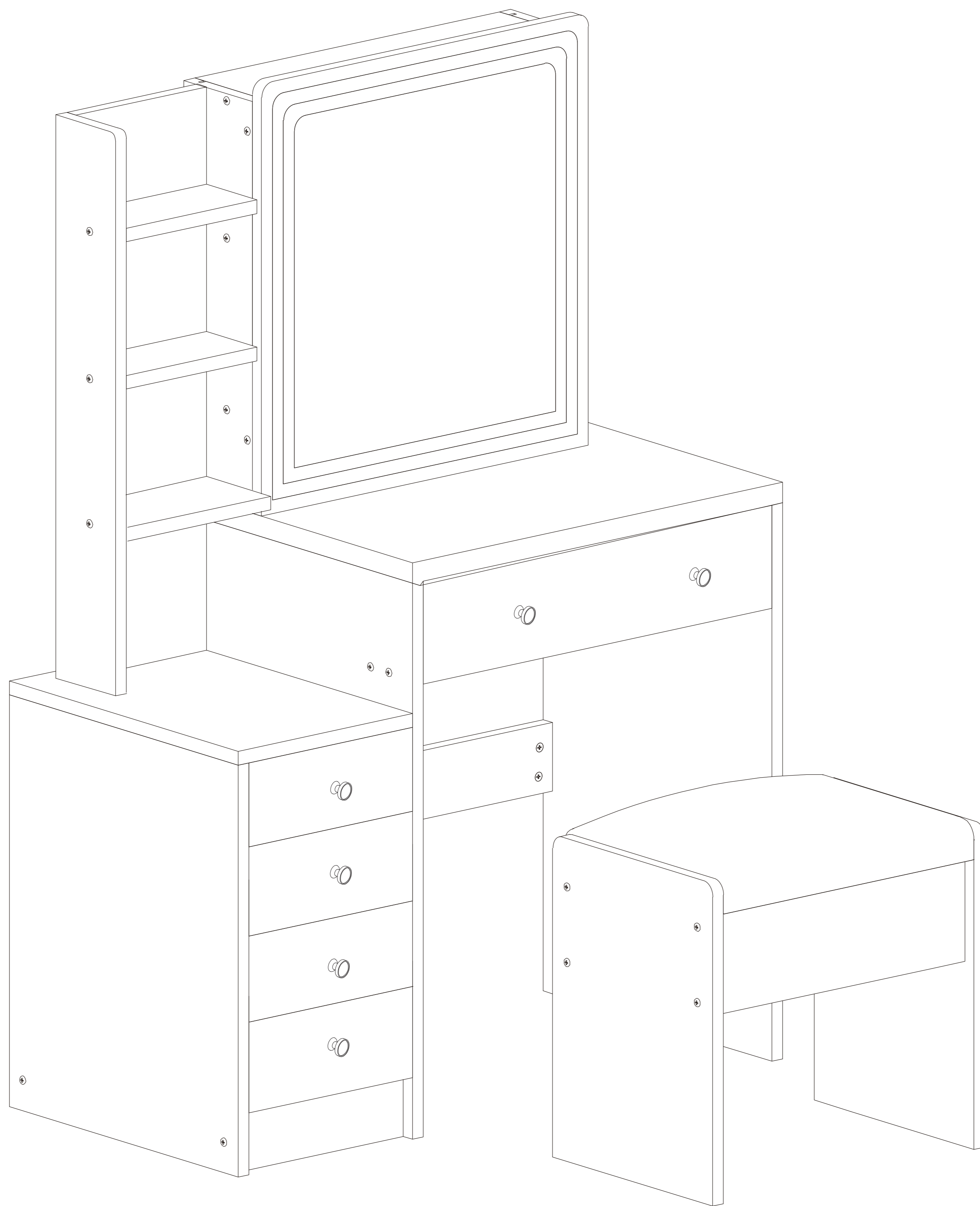


# VANITY TABLE

**918M-W, 918M-B, 918M-W-L, 918M-B-L,  
918M-W-LS, 918M-B-LS  
INSTALLATION MANUAL**





Before assembly please scan the code to get the installation video.



How to install the rail and mirror? please scan the code to get the video.



How to adjust the mirror light? please scan the code to get the video.



918M real show video.

This is the unified installation manual for the 918M (middle size) dressing table, suitable for three versions: simple, basic, and luxury.

**Simple version:** There is no mirror light, built-in socket or hair dryer stand function, so there is no mirror light power plug (N), built-in socket (K) or hairdryer bracket (L) in the accessories.

**Basic version:** with mirror light function, no built-in socket or hair dryer stand function. Therefore, there is no built-in socket (K) or hair dryer bracket (L) in the accessories.

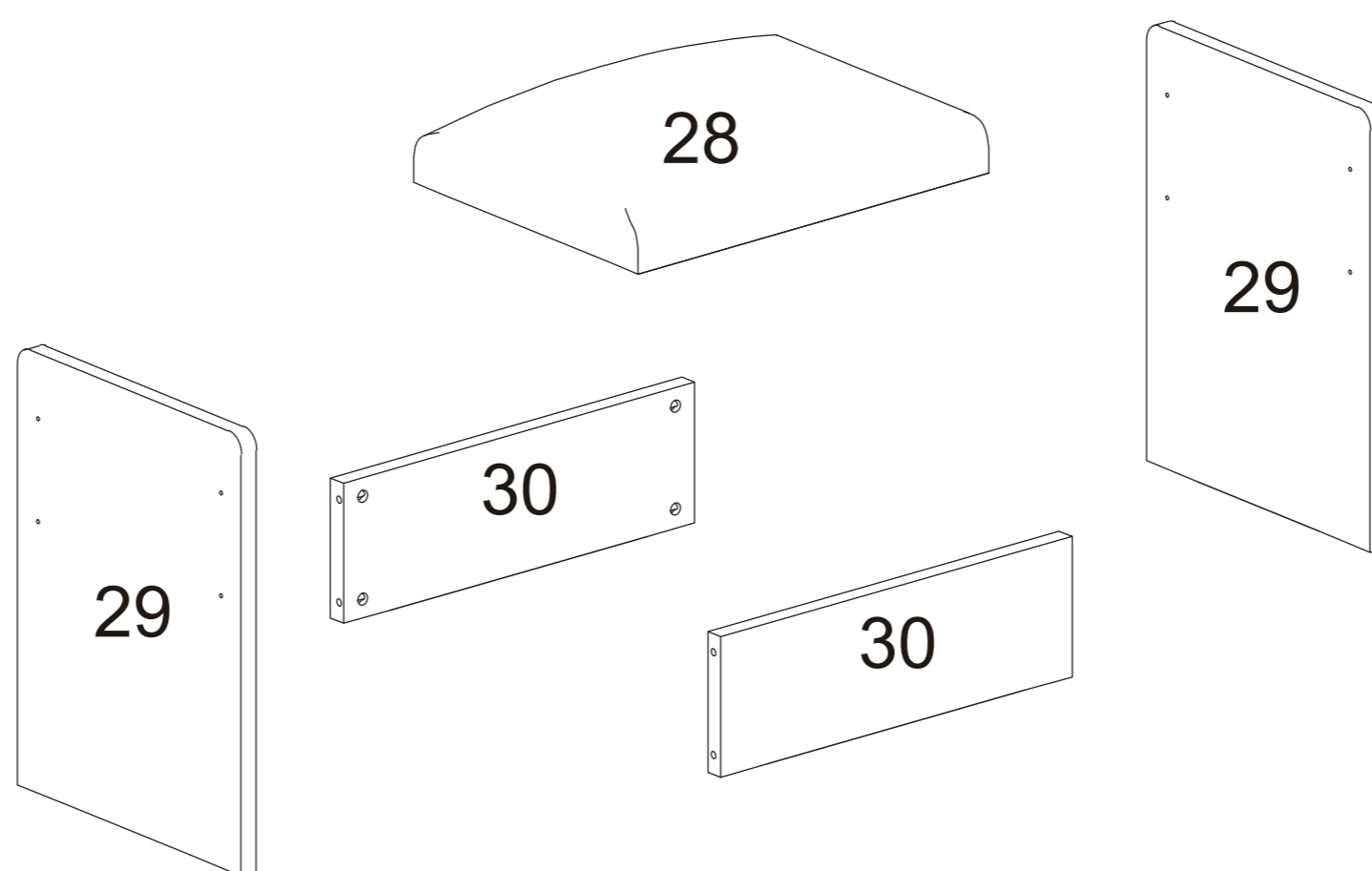
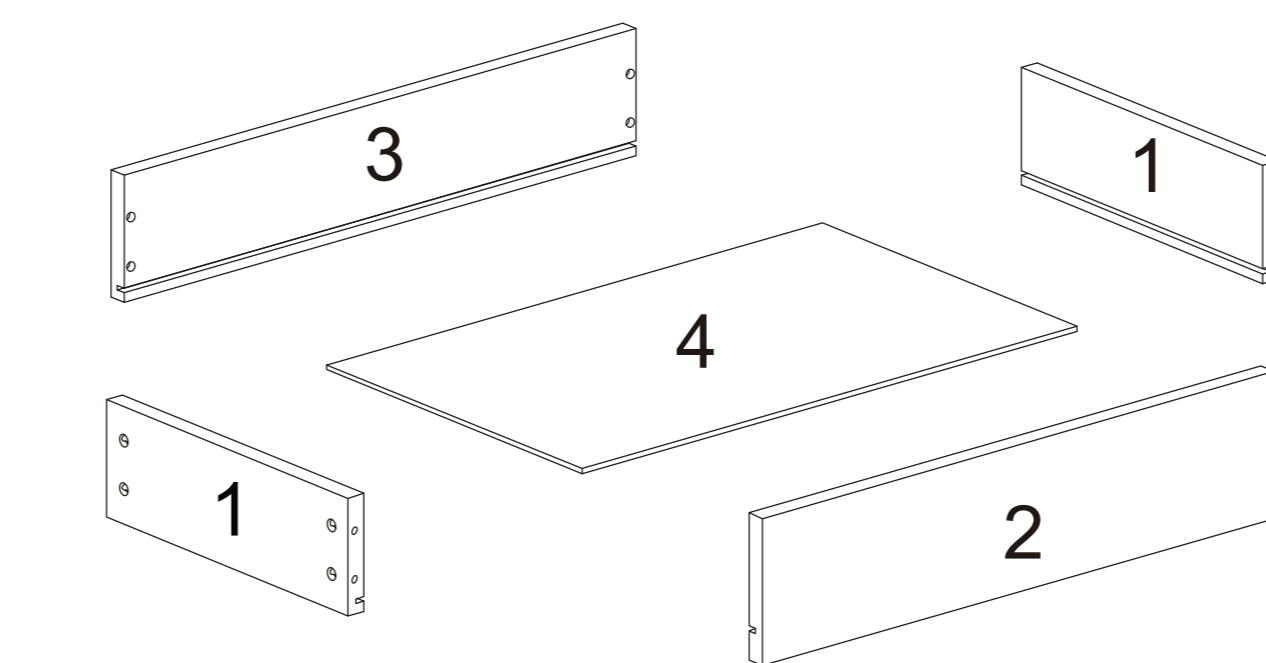
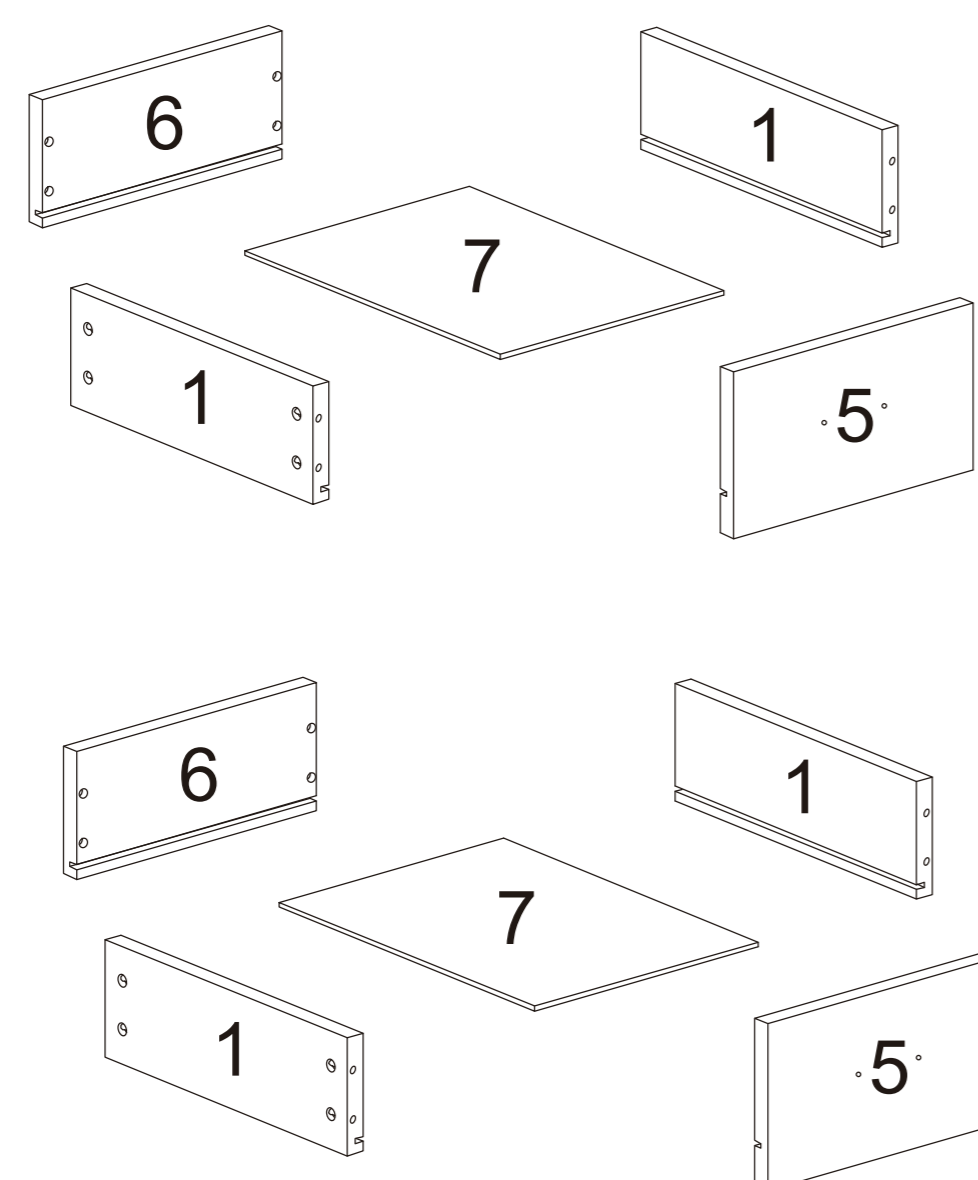
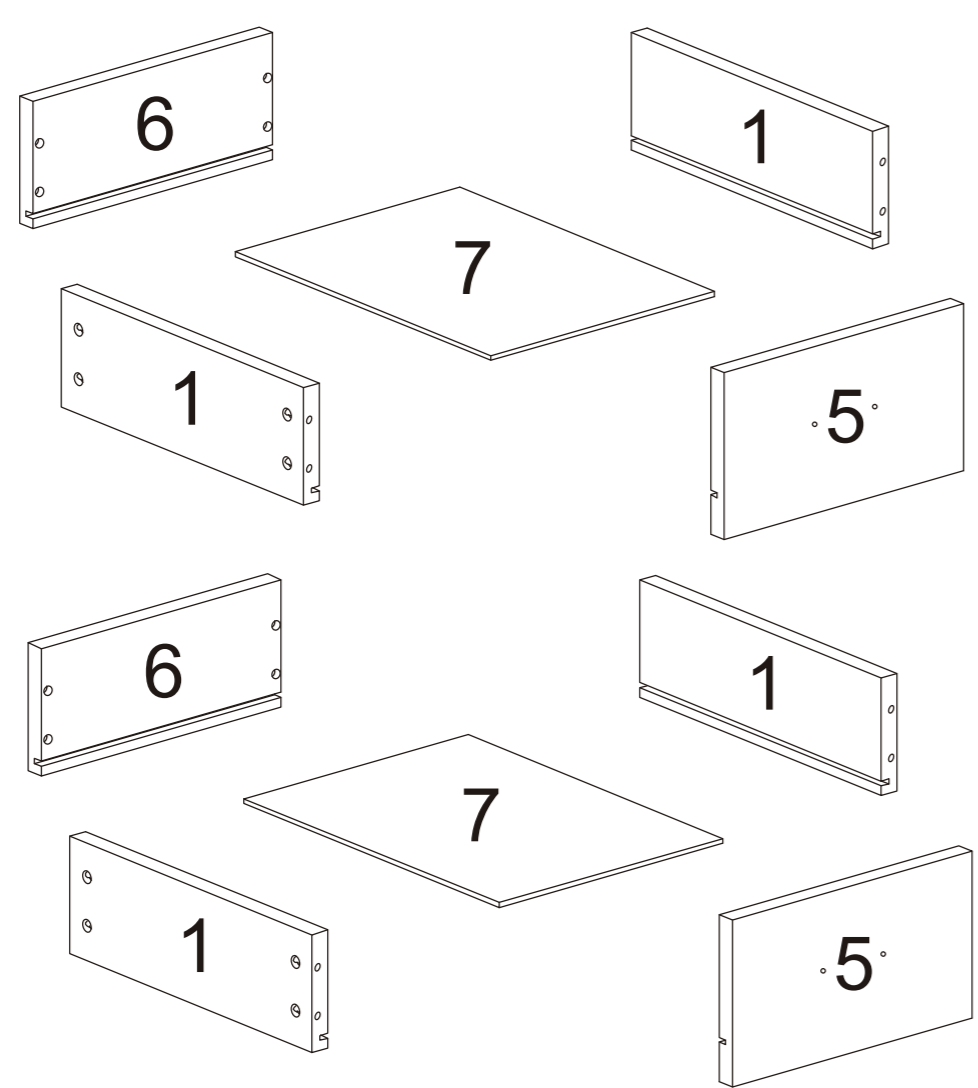
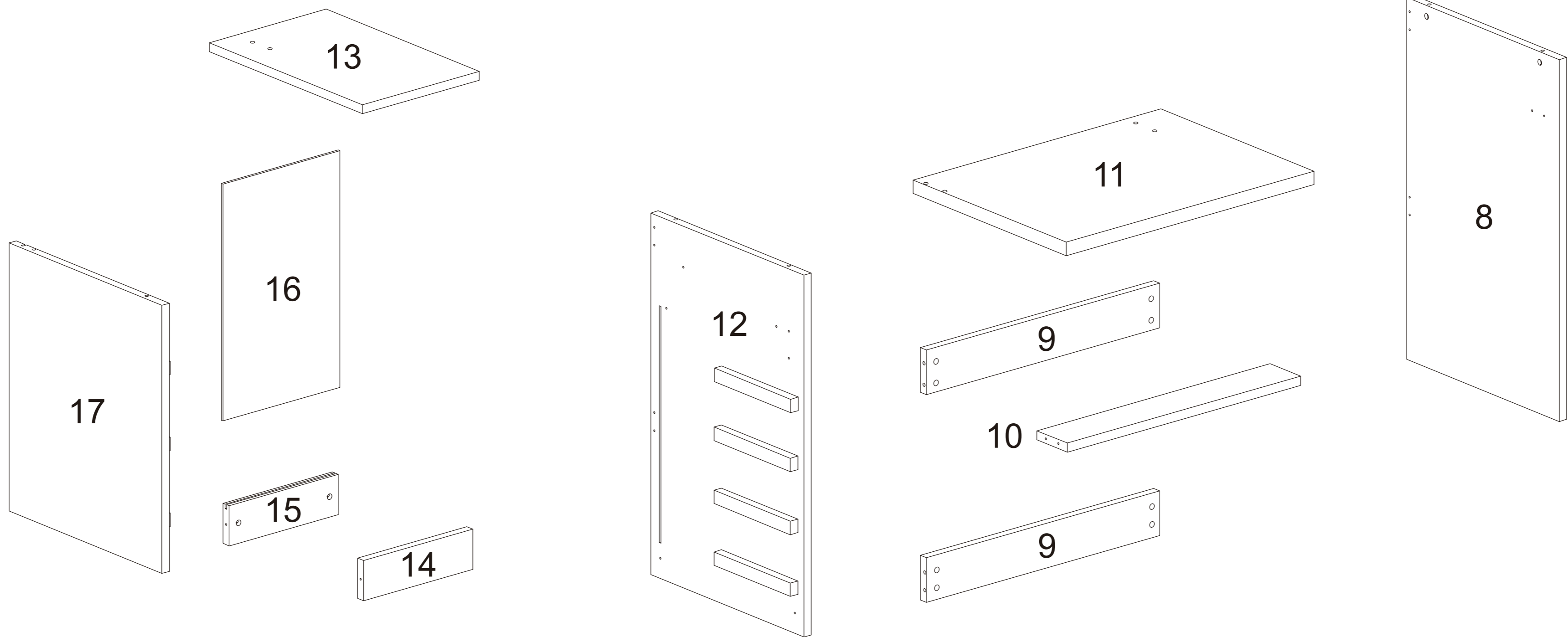
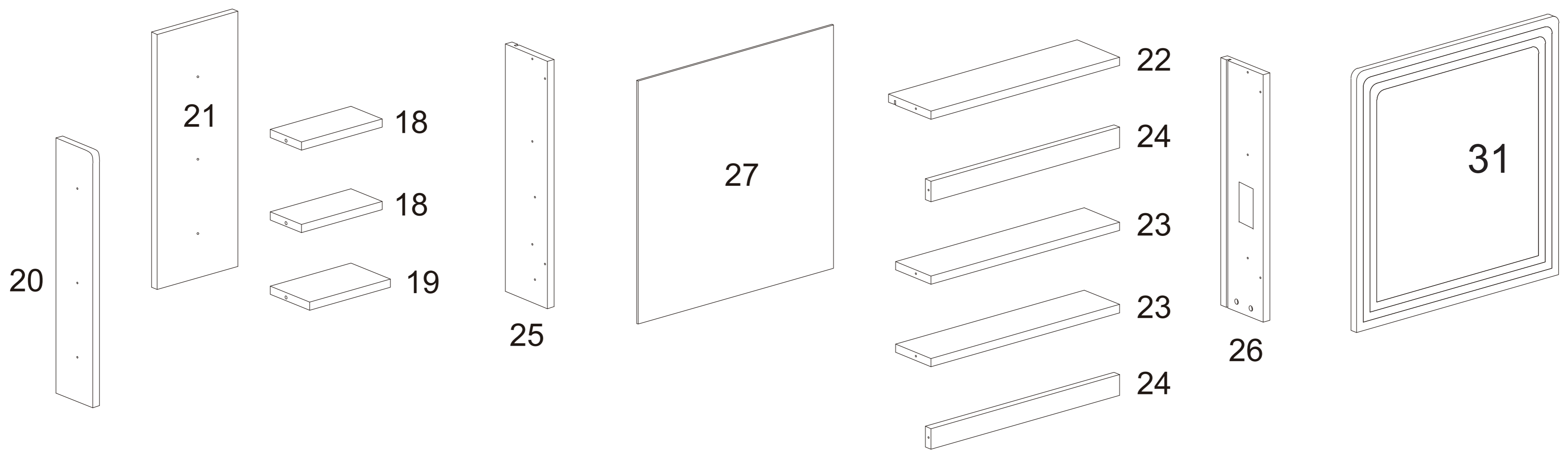
**Luxury version:** With mirror light, built-in socket, and hair dryer stand function, including all illustrated accessories.

**Also note that:**

1. There are marked points where the track needs to be fixed. Please use 12mm screws to secure the track at the marked point.
2. Screw C is a drawer positioning pin that prevents the drawer from falling off when opened. After installation, please confirm that all positioning screws C have been installed.

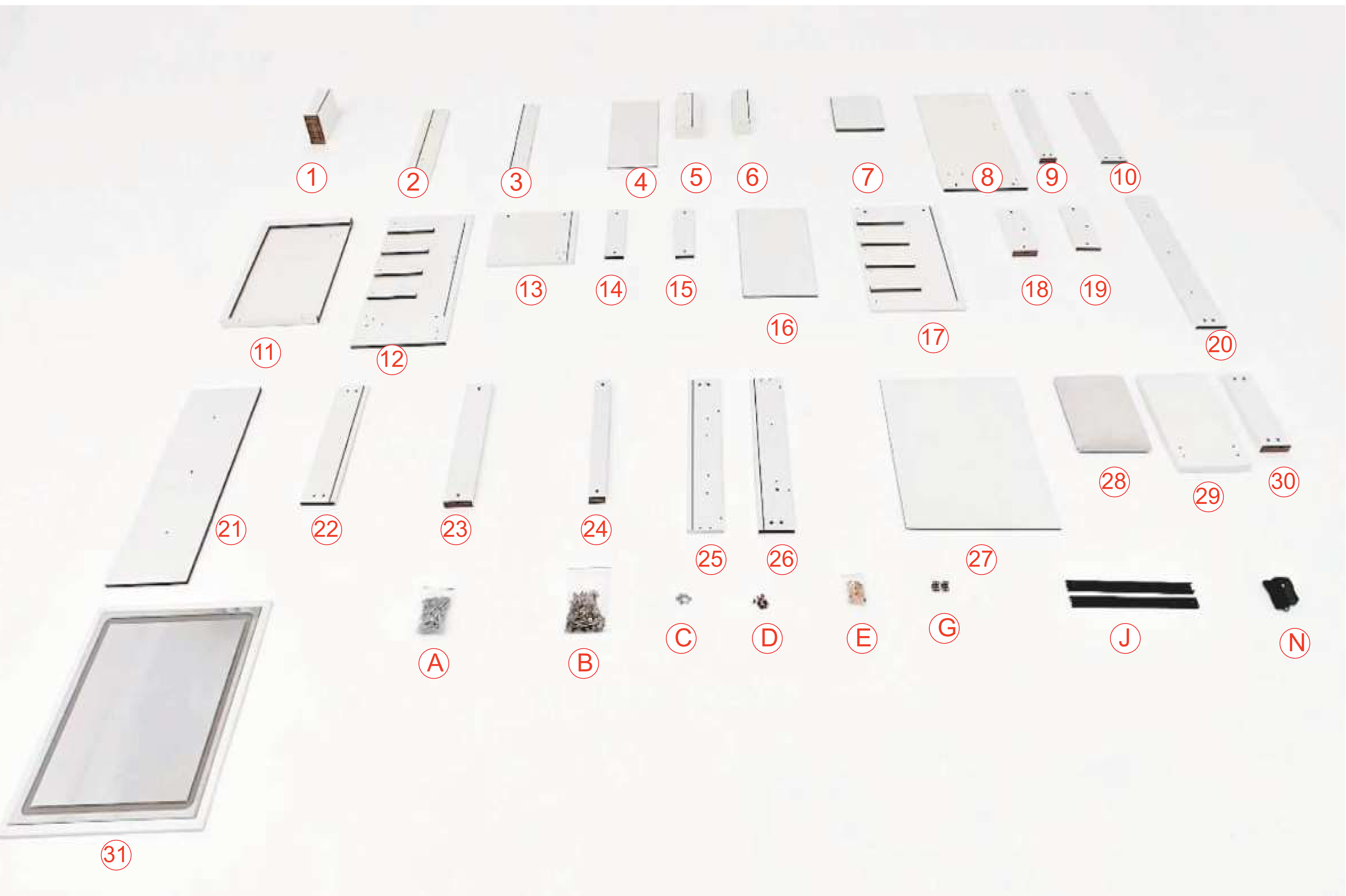


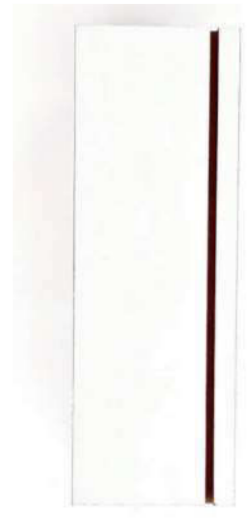
3. For luxury version, part 26 has rectangular hole for installing build-in socket, part 27 has wiring hole, and part 31 has mirror light; For basic version part 26 does not have rectangular hole for installing socket, part 27 does not have wiring hole, but part 31 has mirror light; For simple version, part 26 does not have rectangular hole for installing build-in socket, part 27 does not have wiring hole, and part 31 does not have mirror light.



1 - x10	16 - x1
2 - x1	17 - x1
3 - x1	18 - x2
4 - x1	19 - x1
5 - x4	20 - x1
6 - x4	21 - x1
7 - x4	22 - x1
8 - x1	23 - x2
9 - x2	24 - x2
10 - x1	25 - x1
11 - x1	26 - x1
12 - x1	27 - x1
13 - x1	28 - x1
14 - x1	29 - x2
15 - x1	30 - x2

Before installation, please use an erasable marker to write the corresponding numbers on each board according to the numbers in the figure below, and then arrange all boards according to the method shown in the figure.





**1 -x10**



**2 -x1**



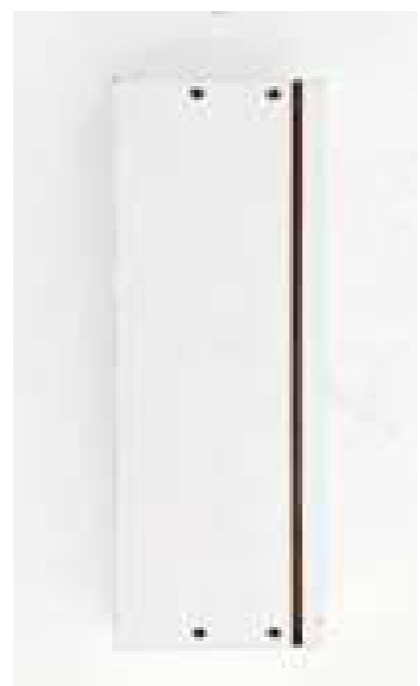
**3 -x1**



**4 -x1**



**5 -x4**



**6 -x4**



**7 -x4**



**8 -x1**



**9 -x2**



**10 -x1**



**11 -x1**



**12 -x1**



**13 -x1**



**14 -x1**



**15 -x1**



**16 -x1**



**17 -x1**



**18 -x2**



**19 -x1**



**20 -x1**



**21 -x1**



**22 -x1**



**23 -x2**



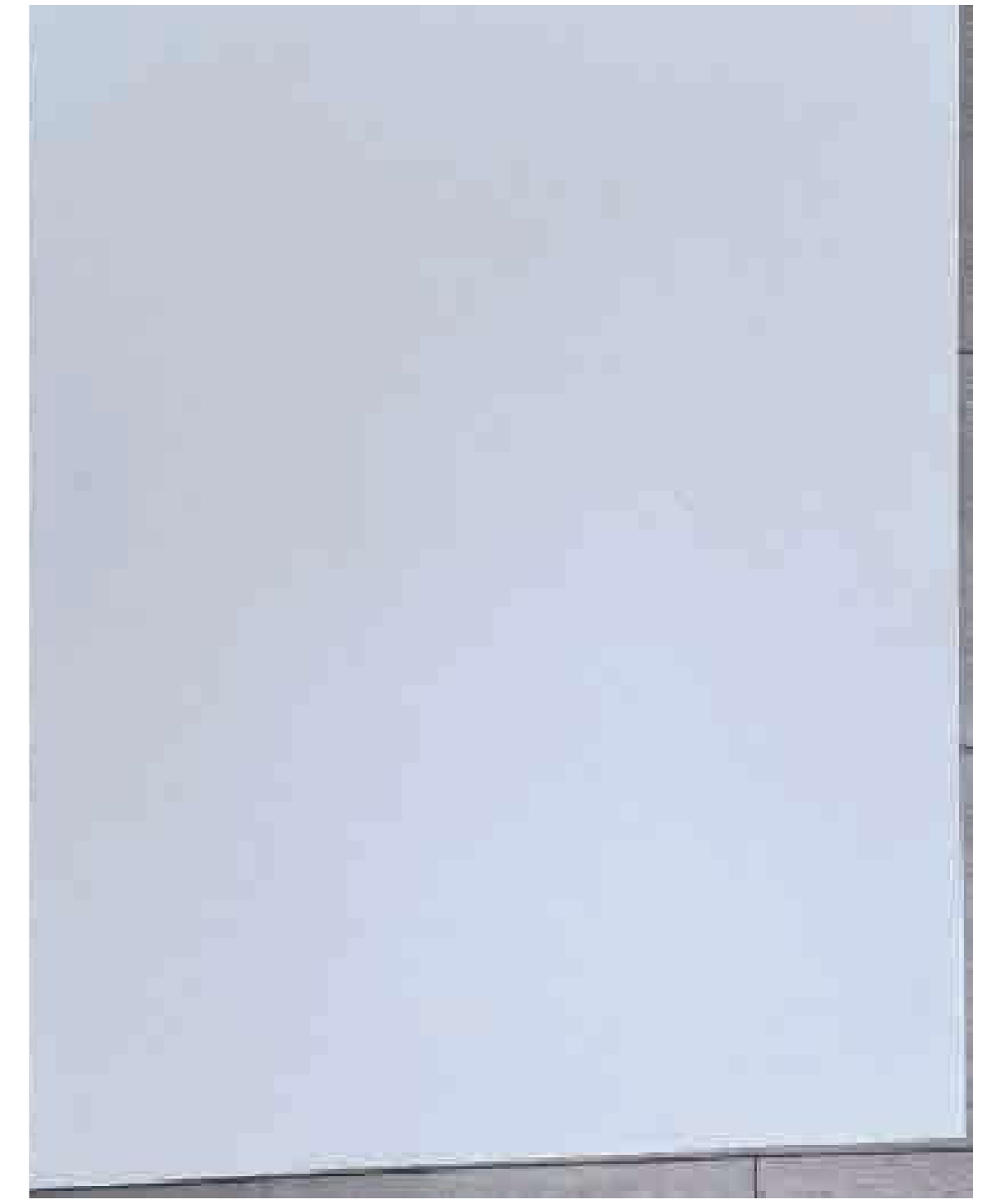
**24 -x2**



**25 -x1**



**26 -x1**



**27 -x1**



**28 -x1**



**29 -x2**



**30 -x2**



**31 -x1**

# HARDWARE



<b>A</b>	2 IN 1 SCREW AND LOCK	x 46
----------	-----------------------	------



<b>B</b>	3 IN 1 SCREW AND LOCK	x 60
----------	-----------------------	------



<b>C</b>	DRAWER POSITIONING SCREW	x10
----------	--------------------------	-----



<b>D</b>	12MM SCREW	x16
----------	------------	-----



<b>E</b>	DRAWER HANDLE	x 6
----------	---------------	-----



<b>G</b>	L PLATE	x2
----------	---------	----



<b>J</b>	GUIDE RAIL	x2
----------	------------	----



<b>K</b>	SOCKET	x1
----------	--------	----

For Luxury version



<b>L</b>	HAIR DRYER BRACKET	x1
----------	--------------------	----

For Luxury version

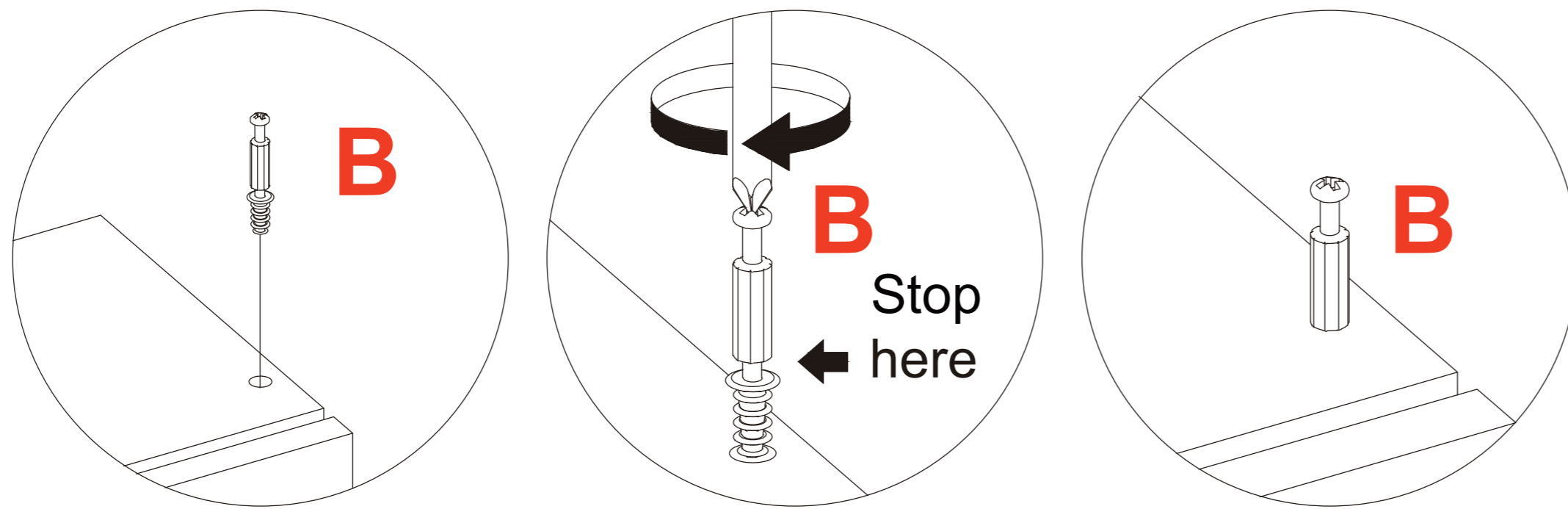


<b>N</b>	Power plug	x1
----------	------------	----

For luxury version and basic version.

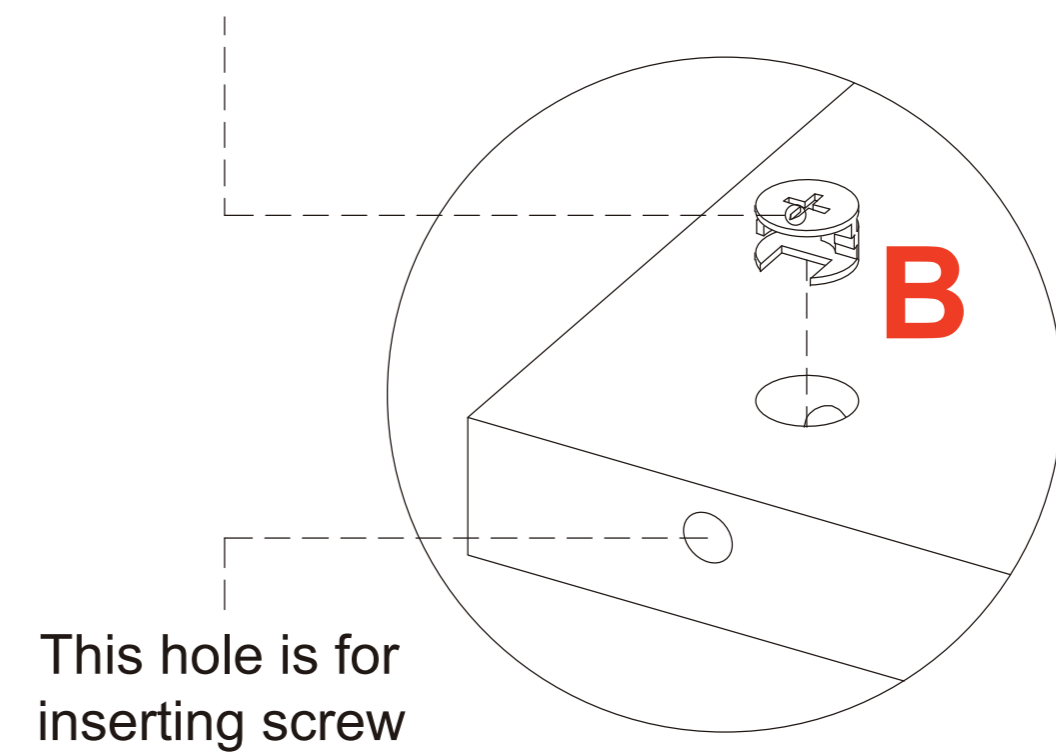
**1. Screw installation method**

When the screw is installed, please keep it in line with the board, and do not tighten it too tightly

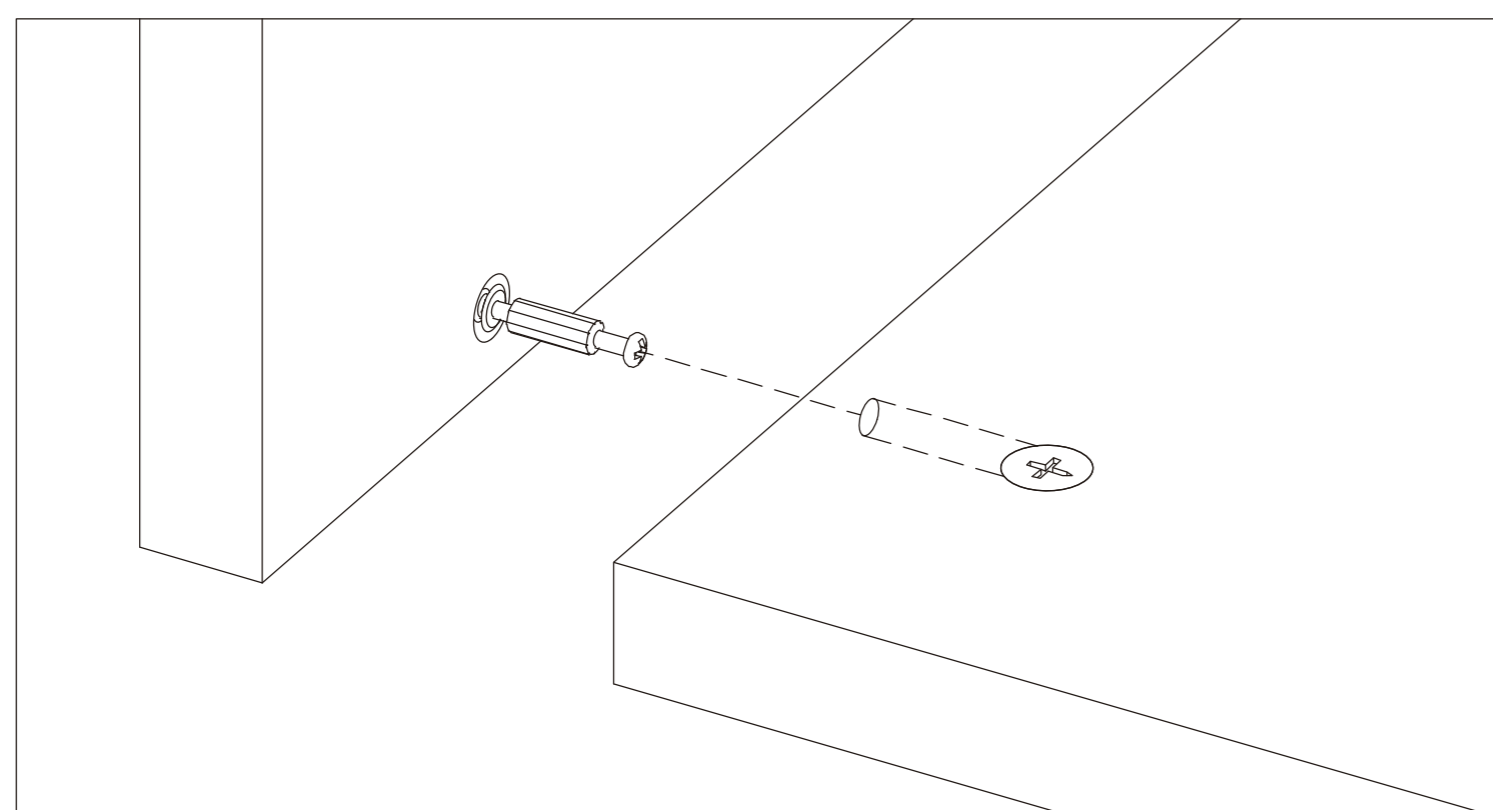


**2. Check the Nut direction**

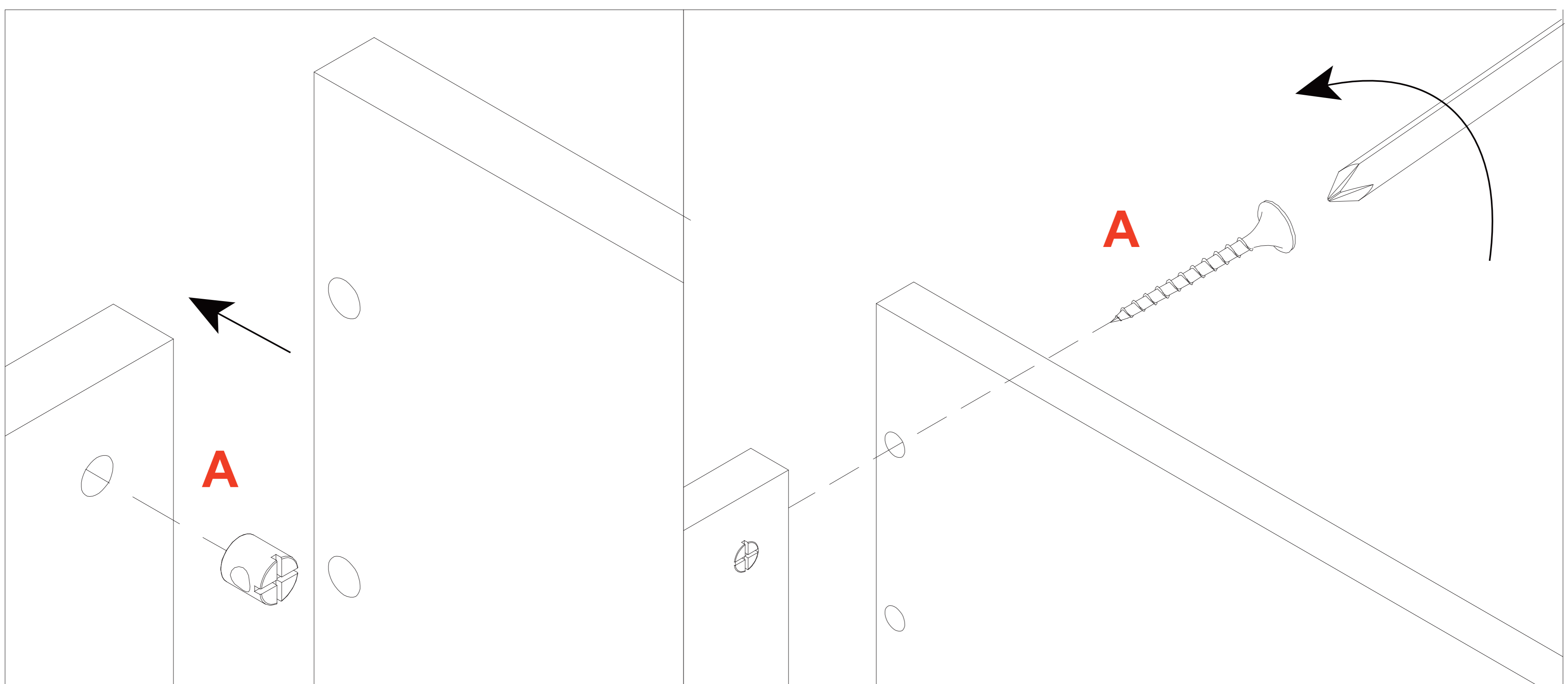
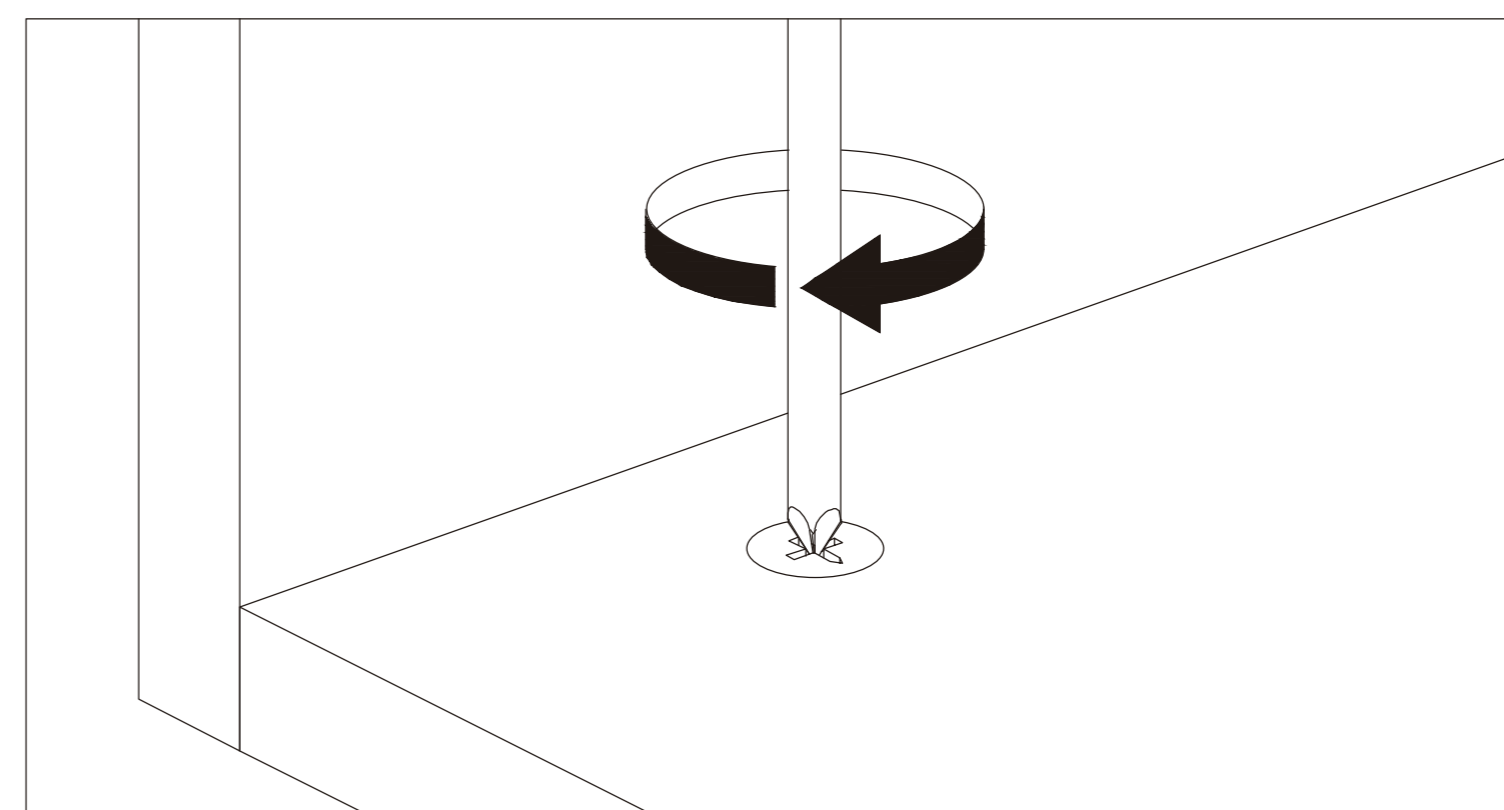
This direction of the marked nut is consistent with the direction in which the screw is inserted



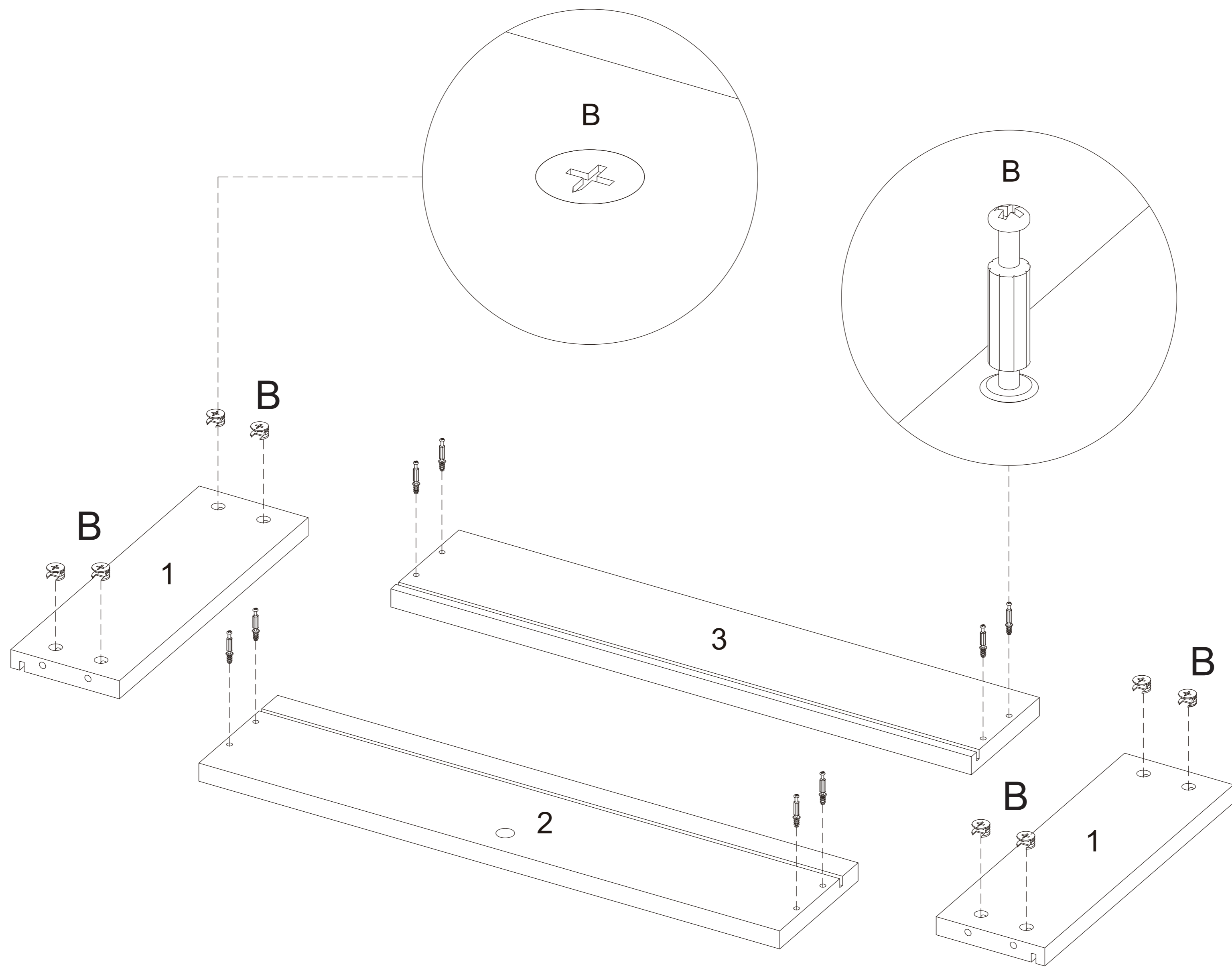
**3. Installation on the board with fixing screws**



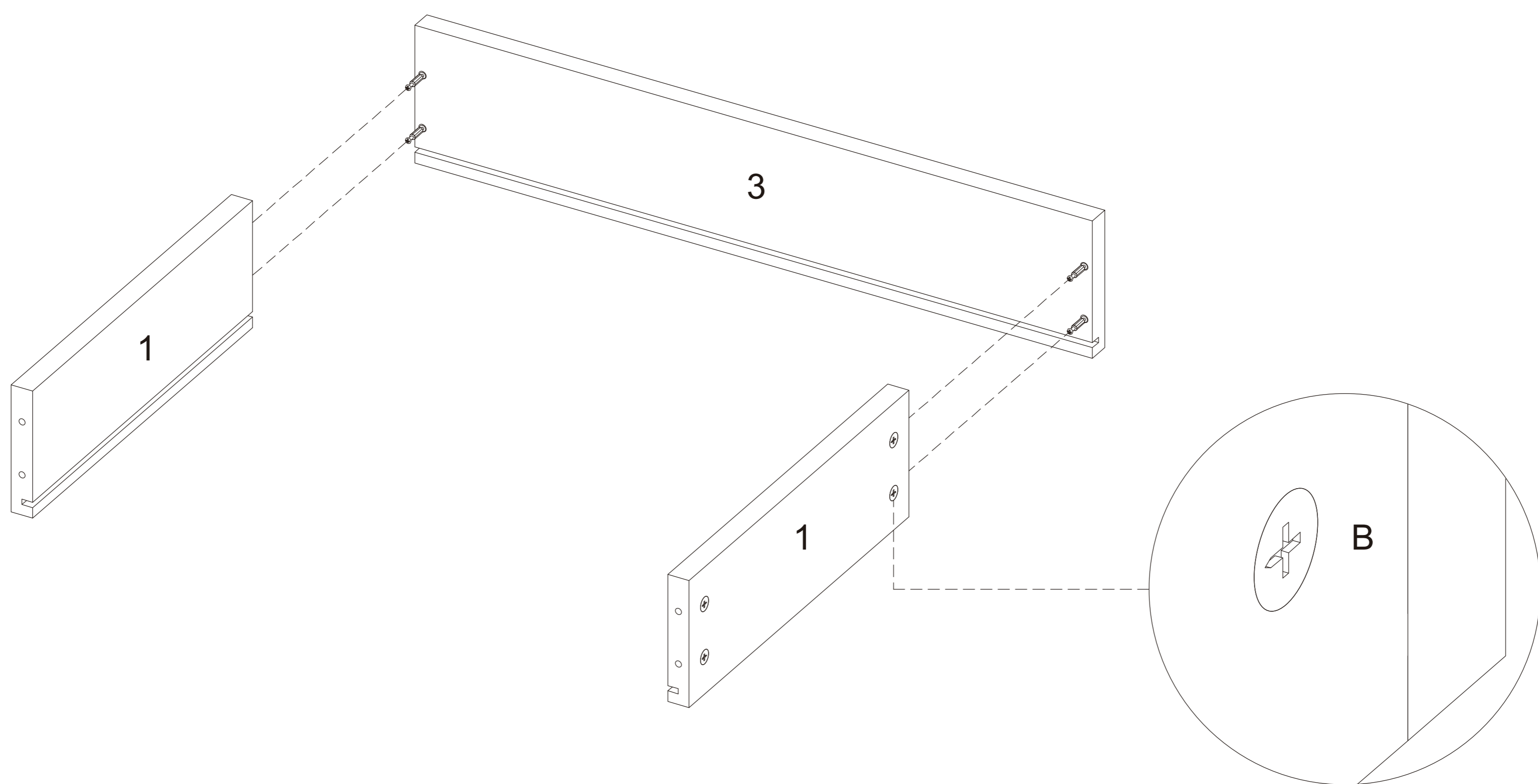
**3. Rotate slowly until it stops**



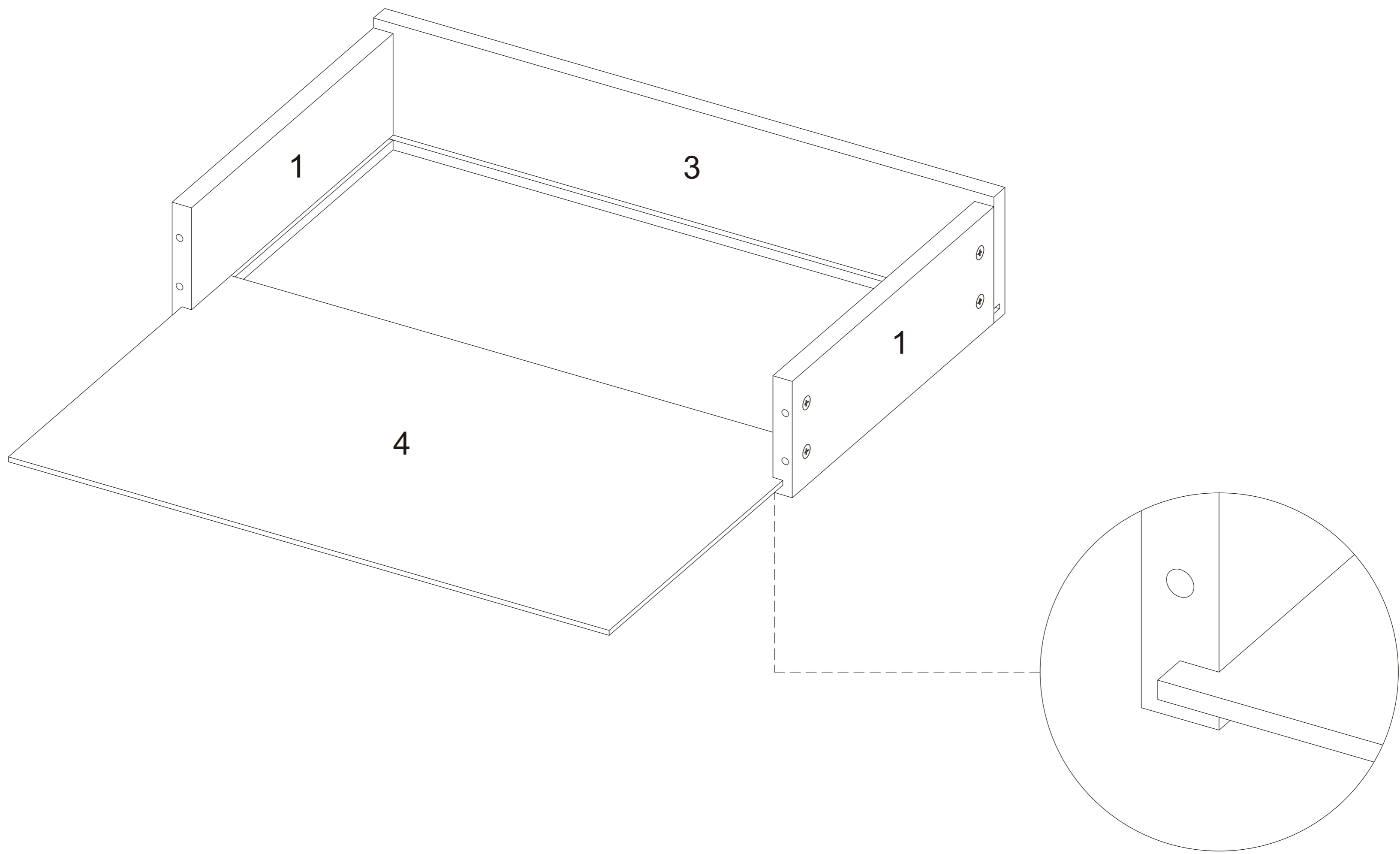
Step 01 pick up ①x2, ②x1, ③x1, ④x1



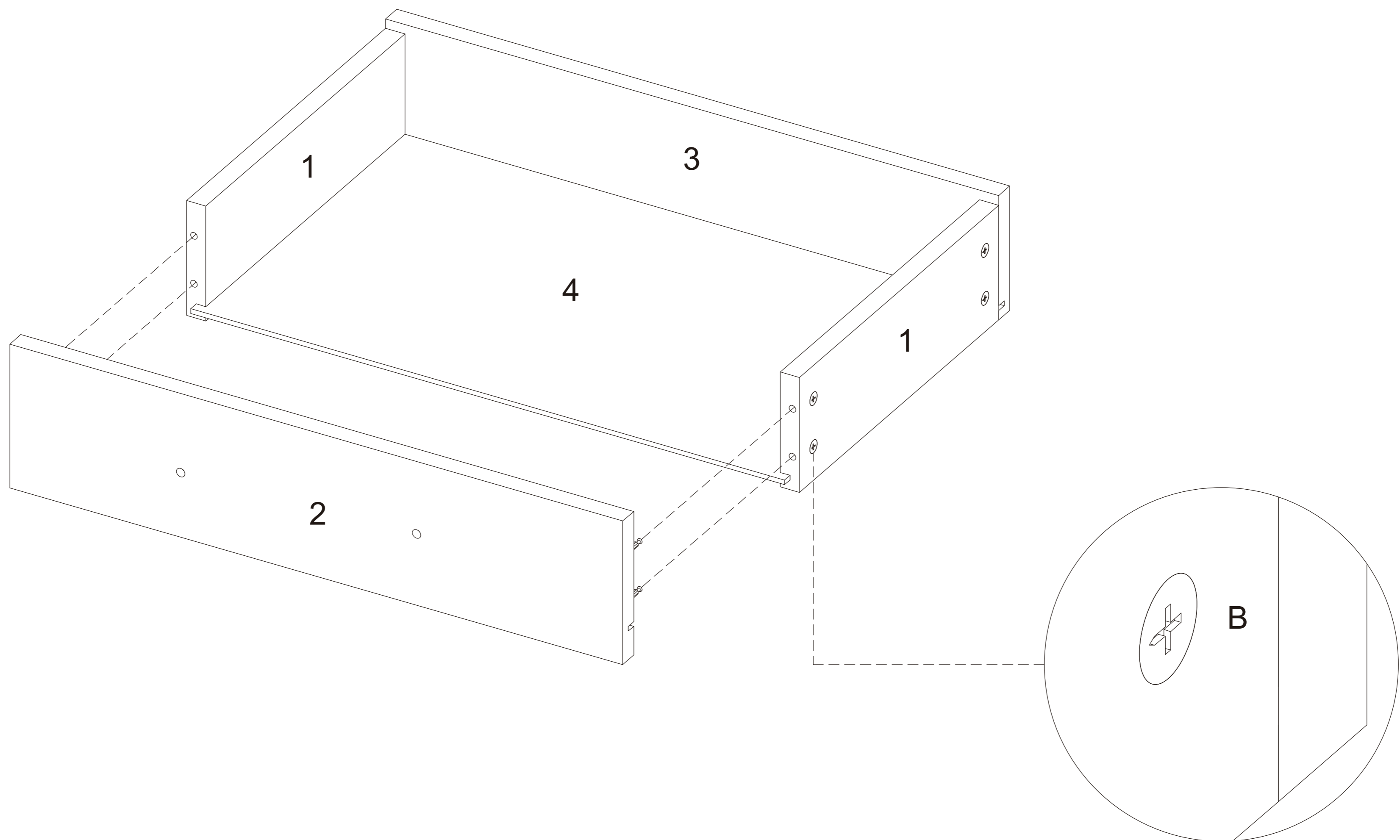
Step 02



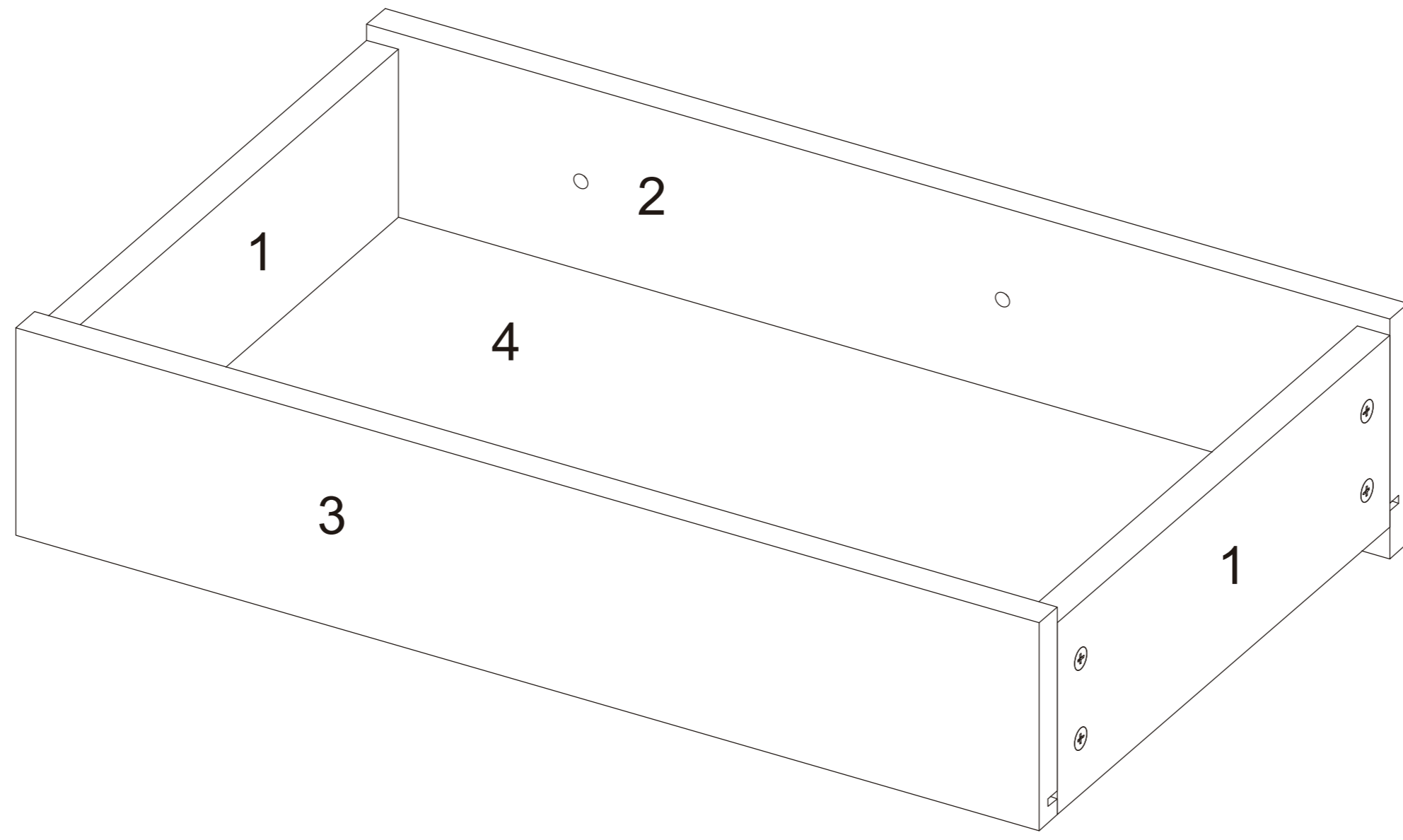
Step 03



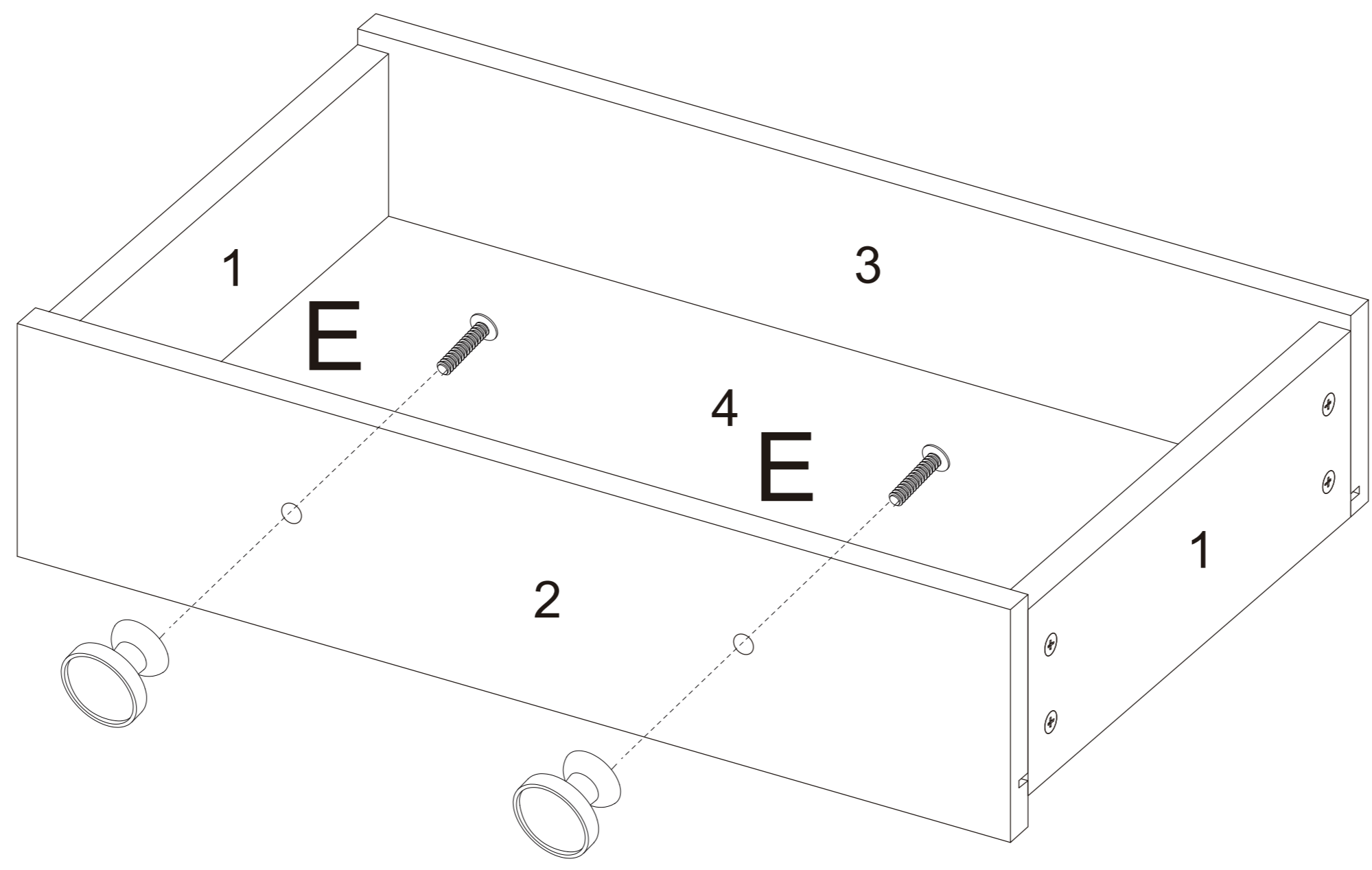
Step 04



Step 05

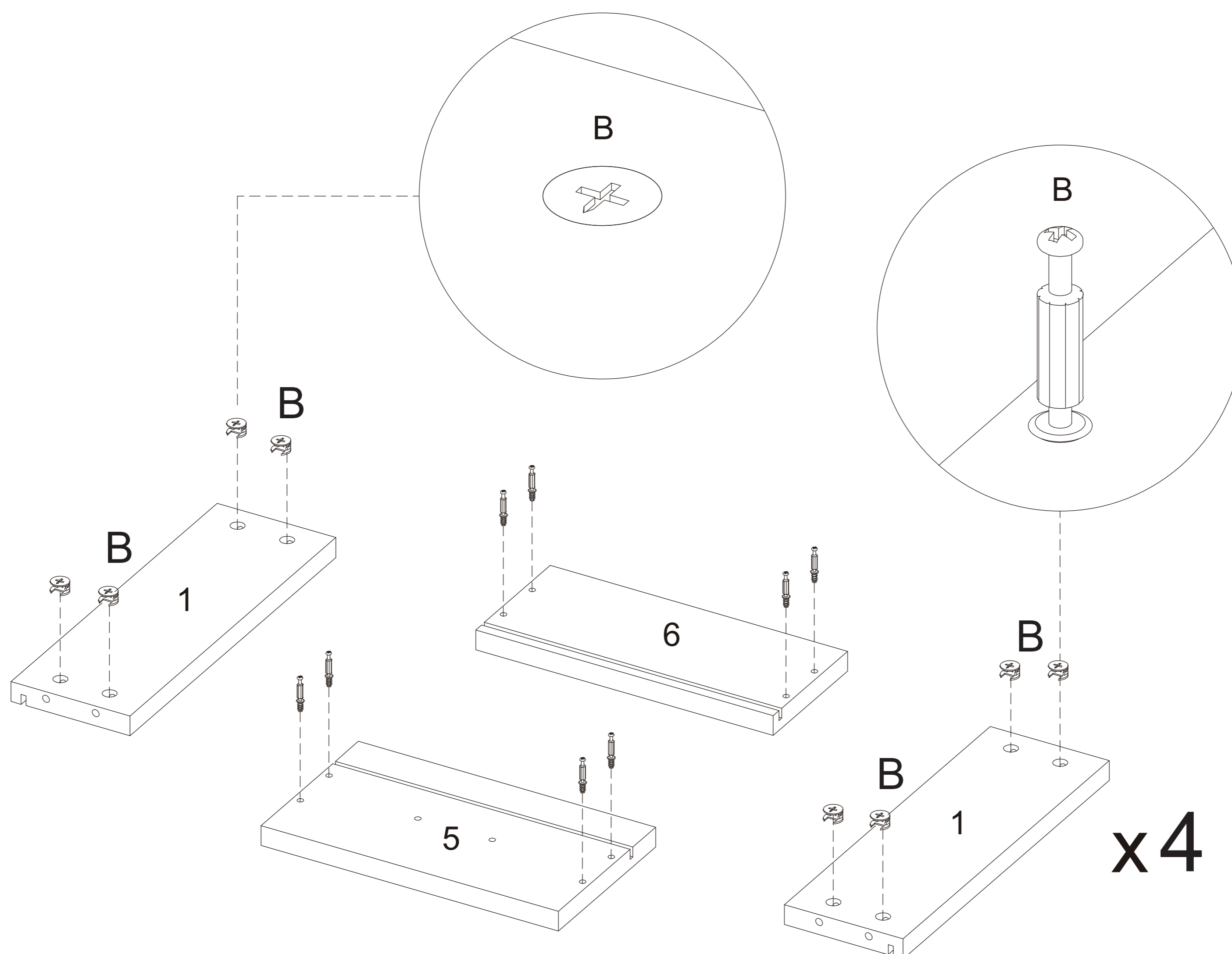


Step 06

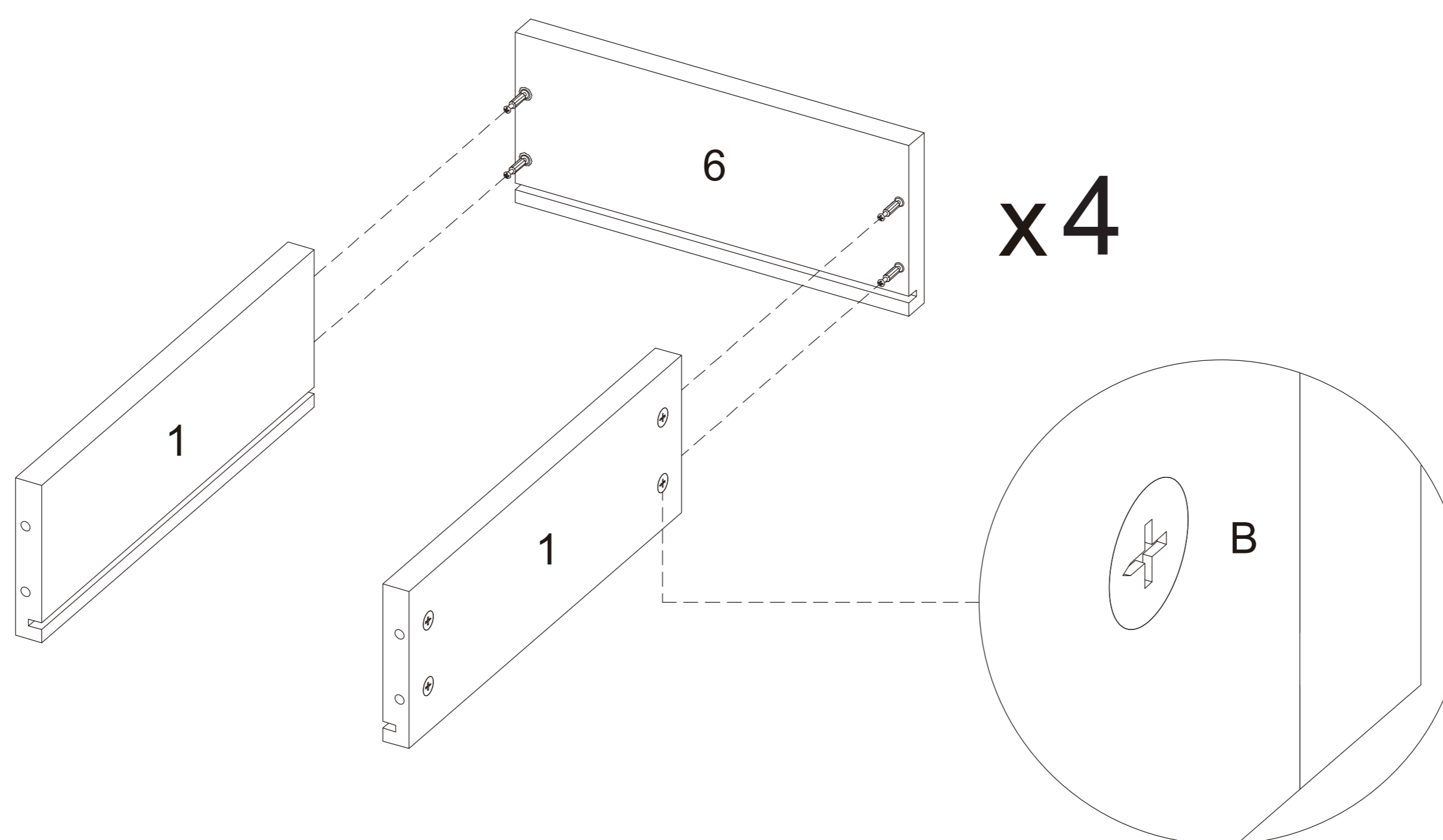


Step 07

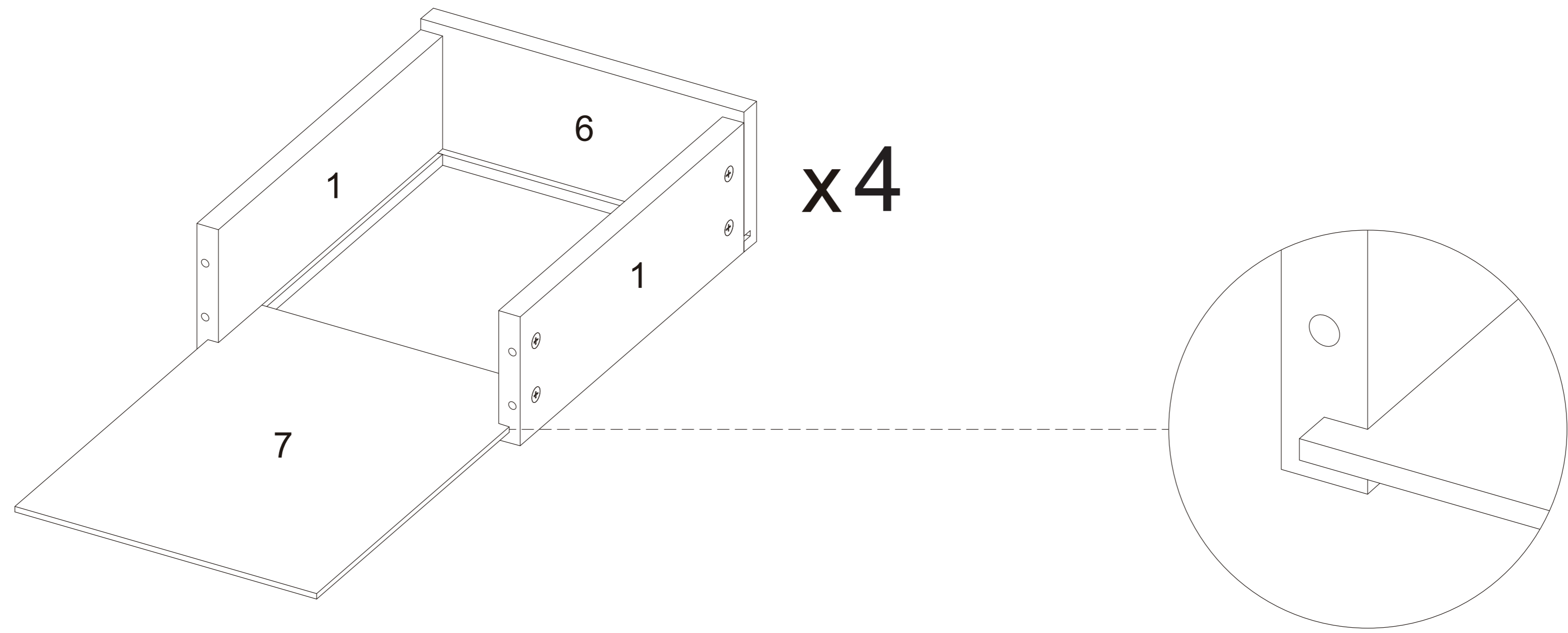
pick up ①x8, ⑤x4, ⑥x4, ⑦x4



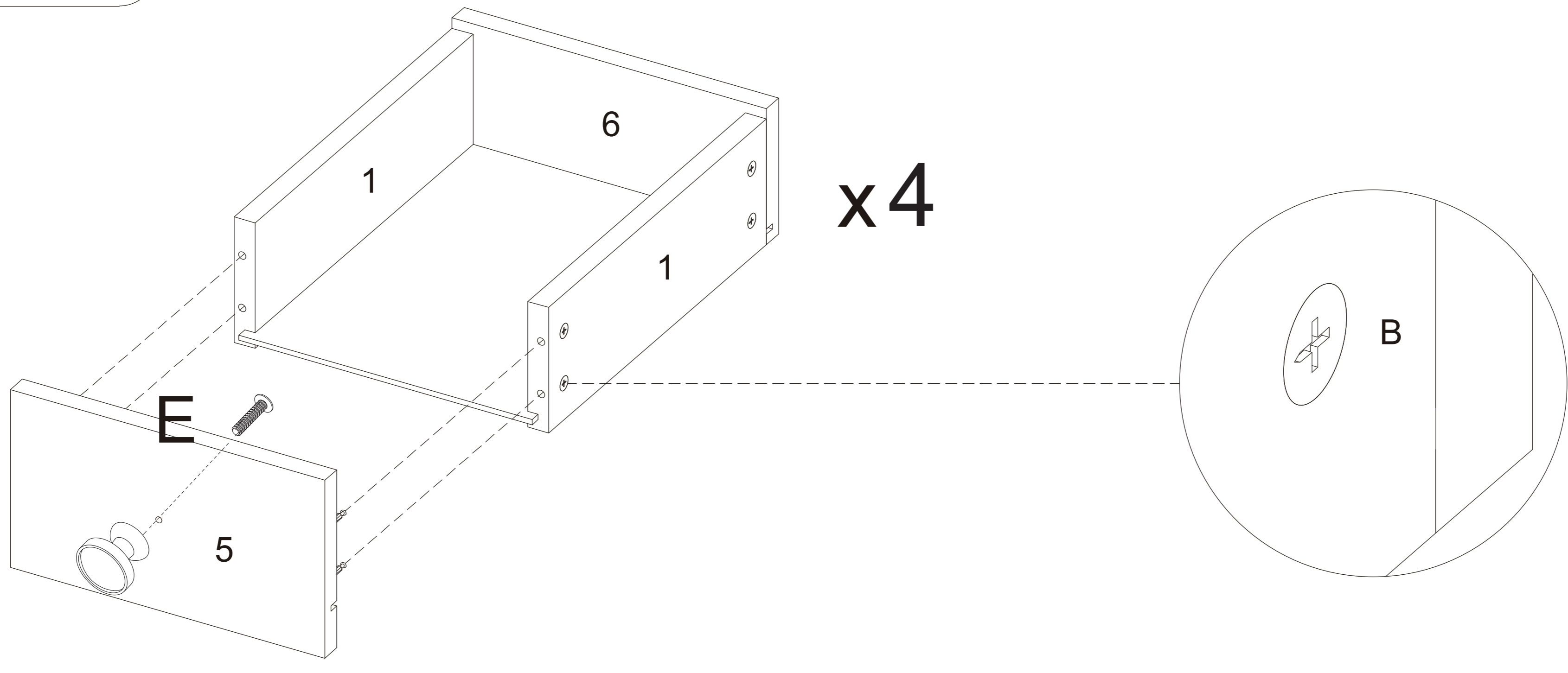
Step 08



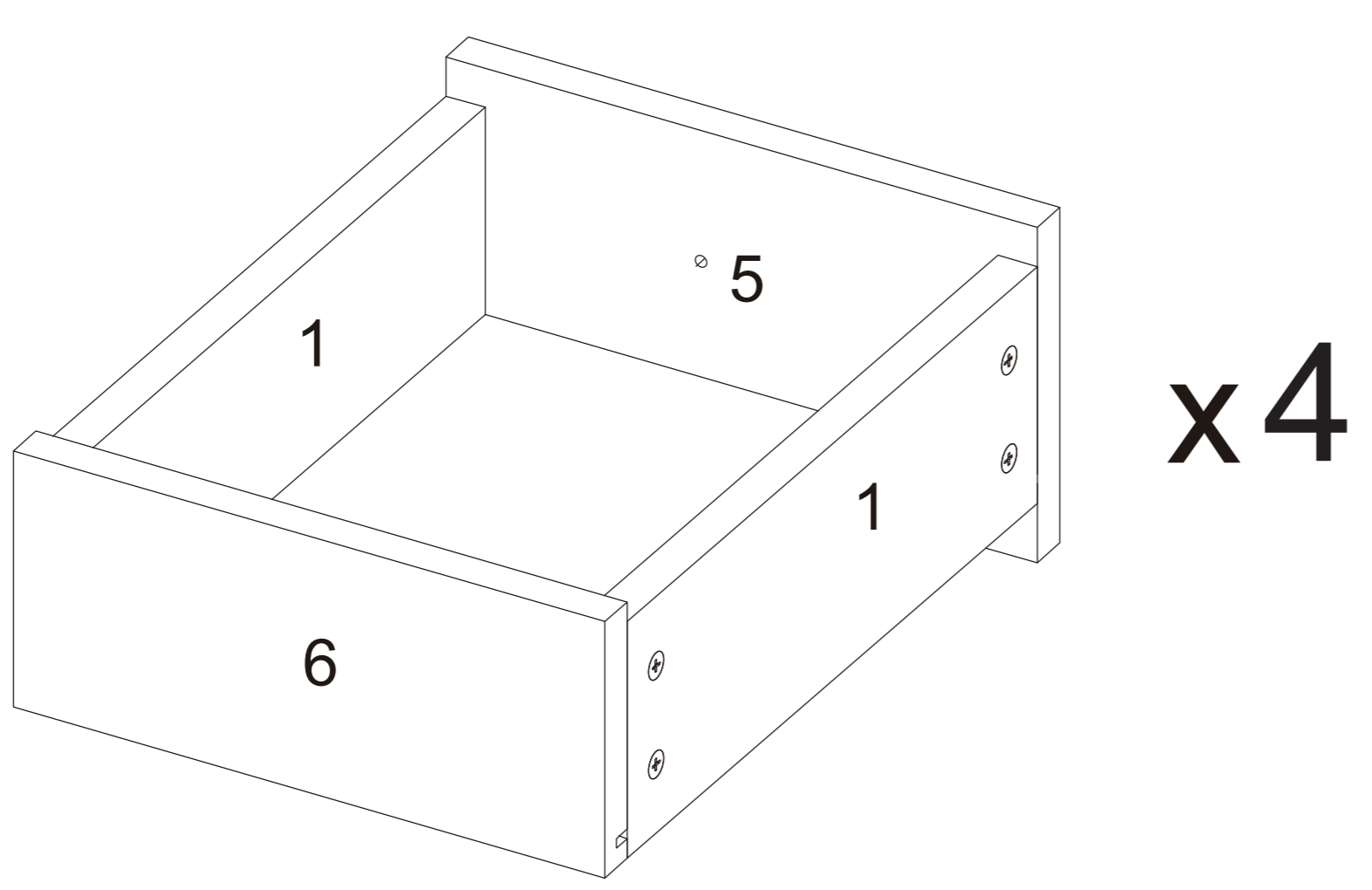
Step 09



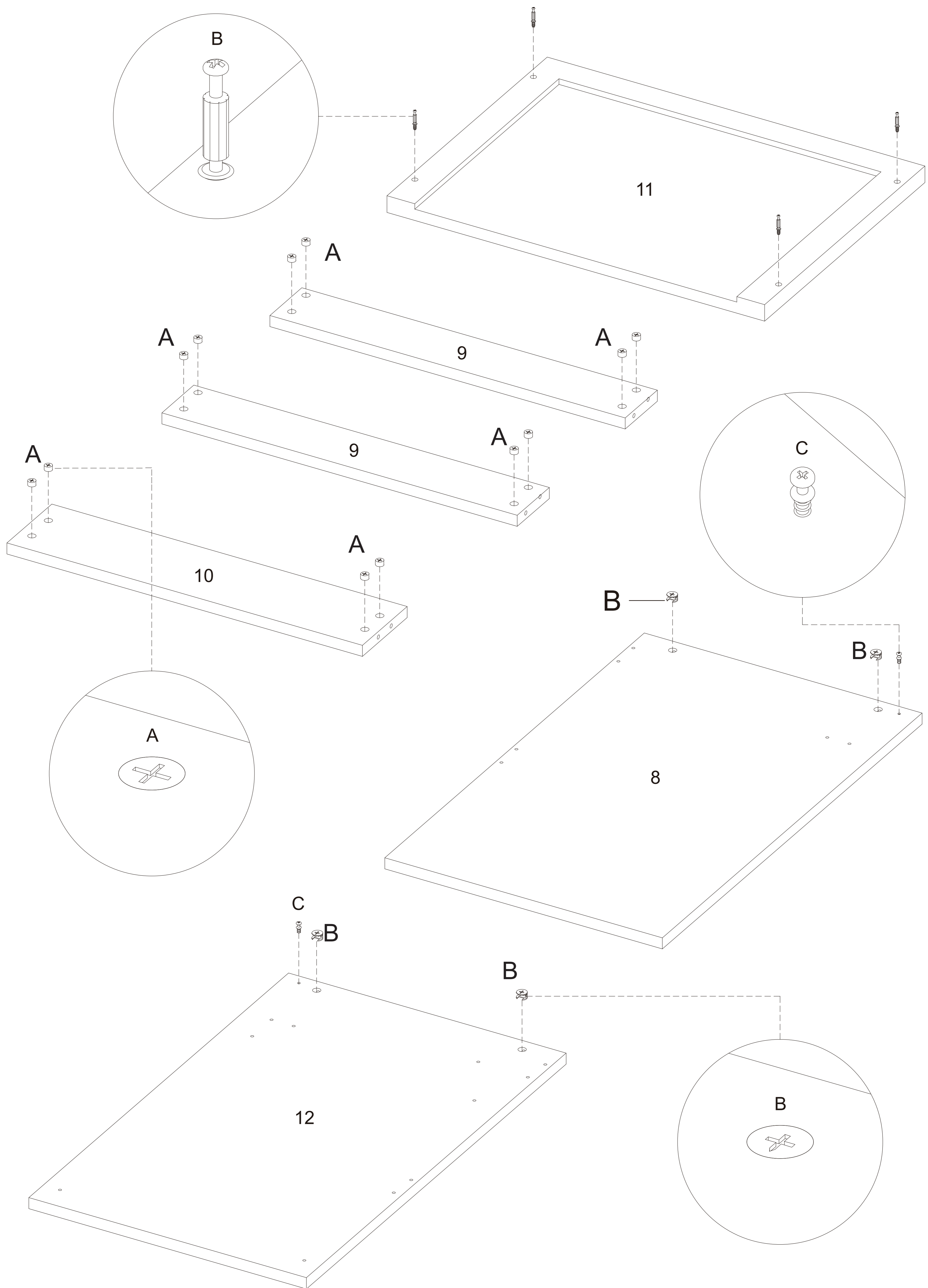
Step 10



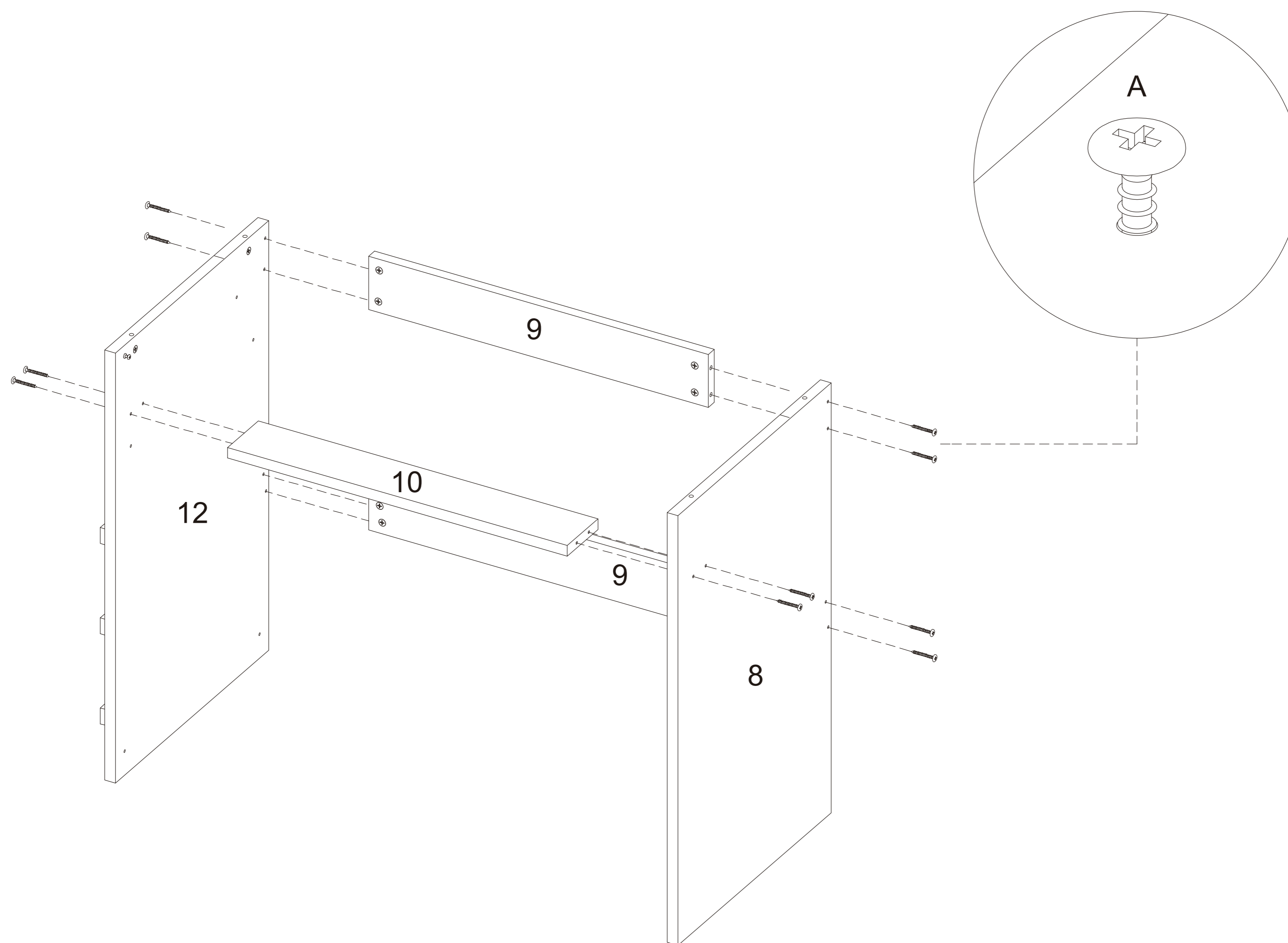
Step 11



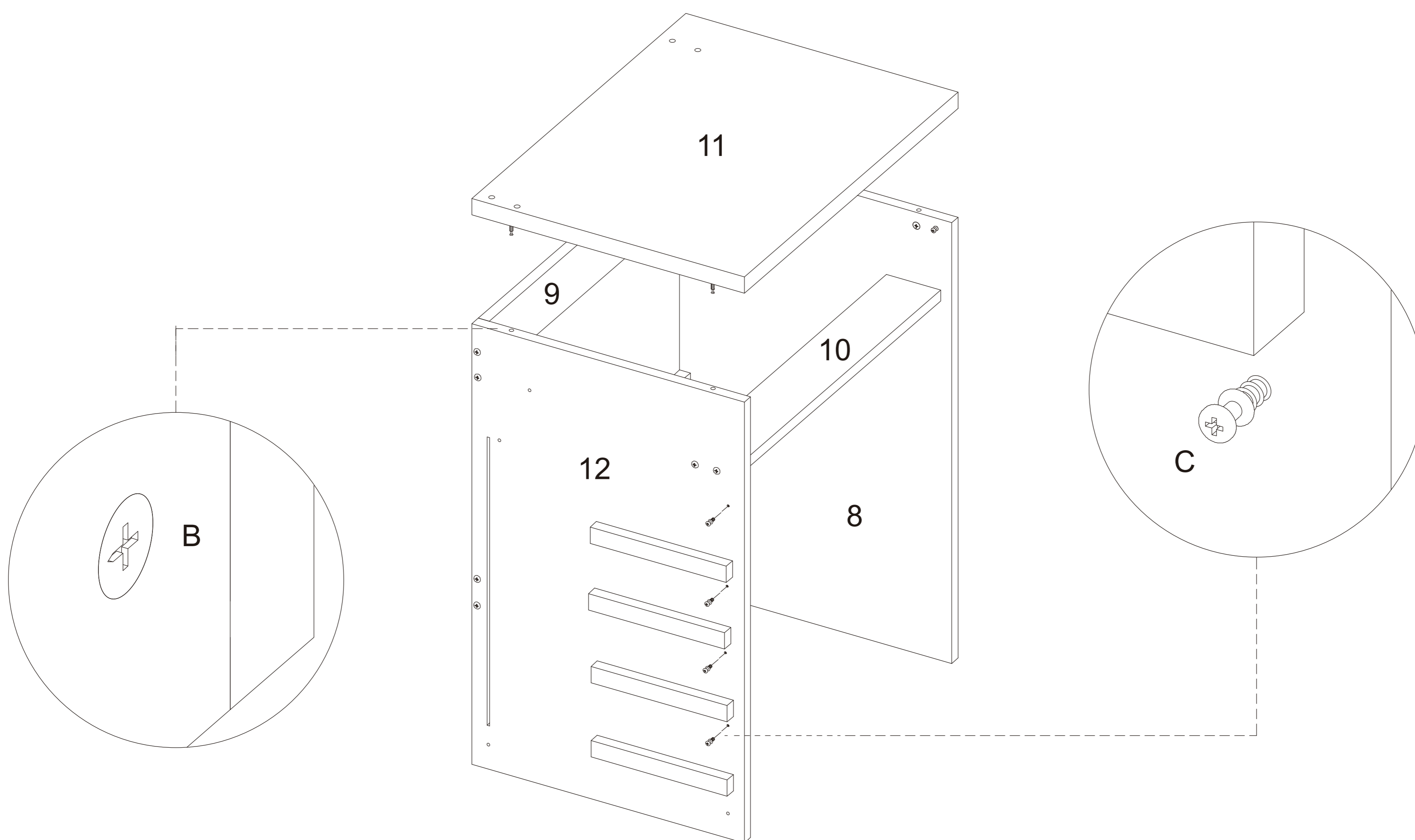
Step 12 pick up ⑧ x1, ⑨ x2, ⑩ x1, ⑫ x1, ⑪ x1



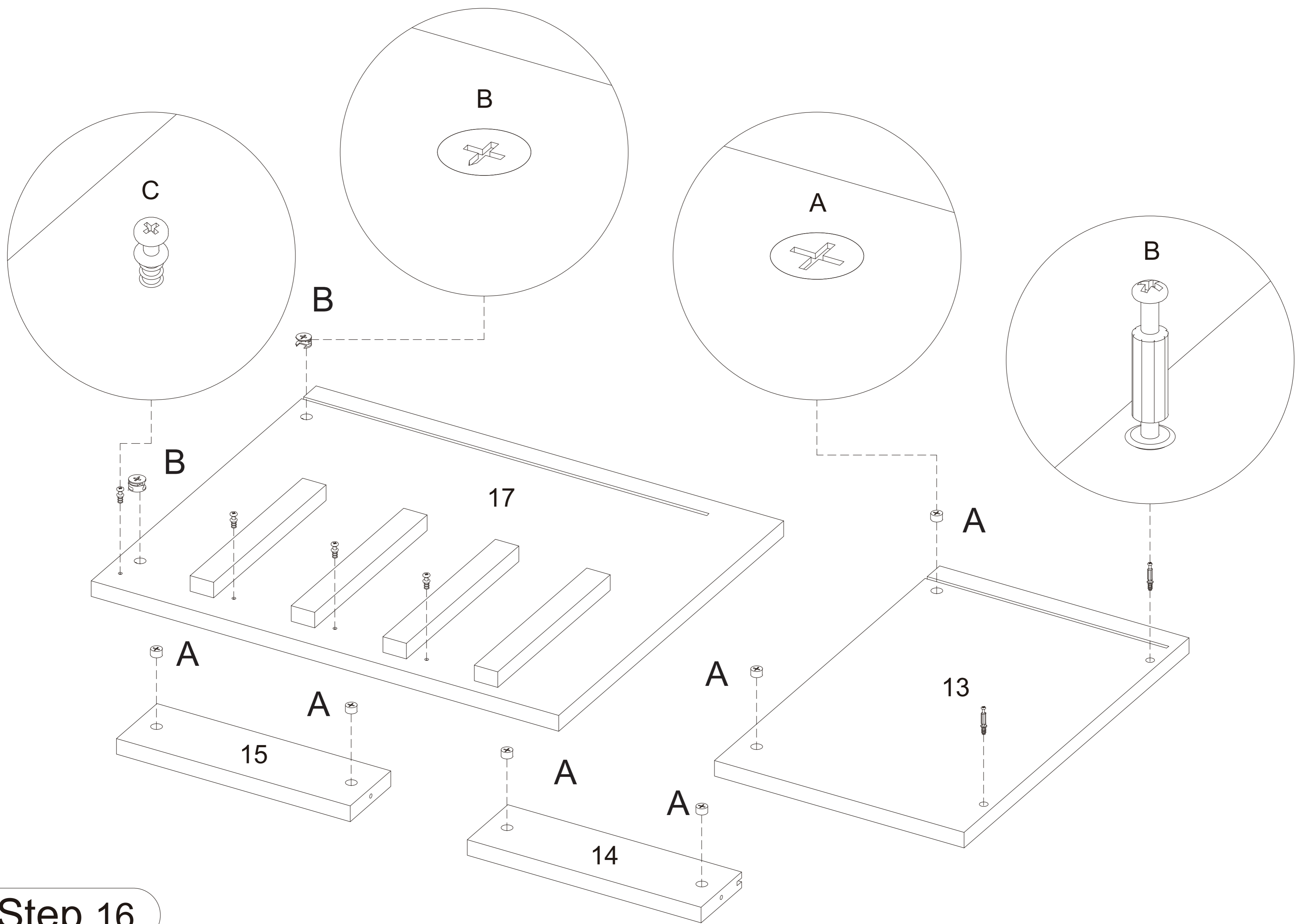
Step 13



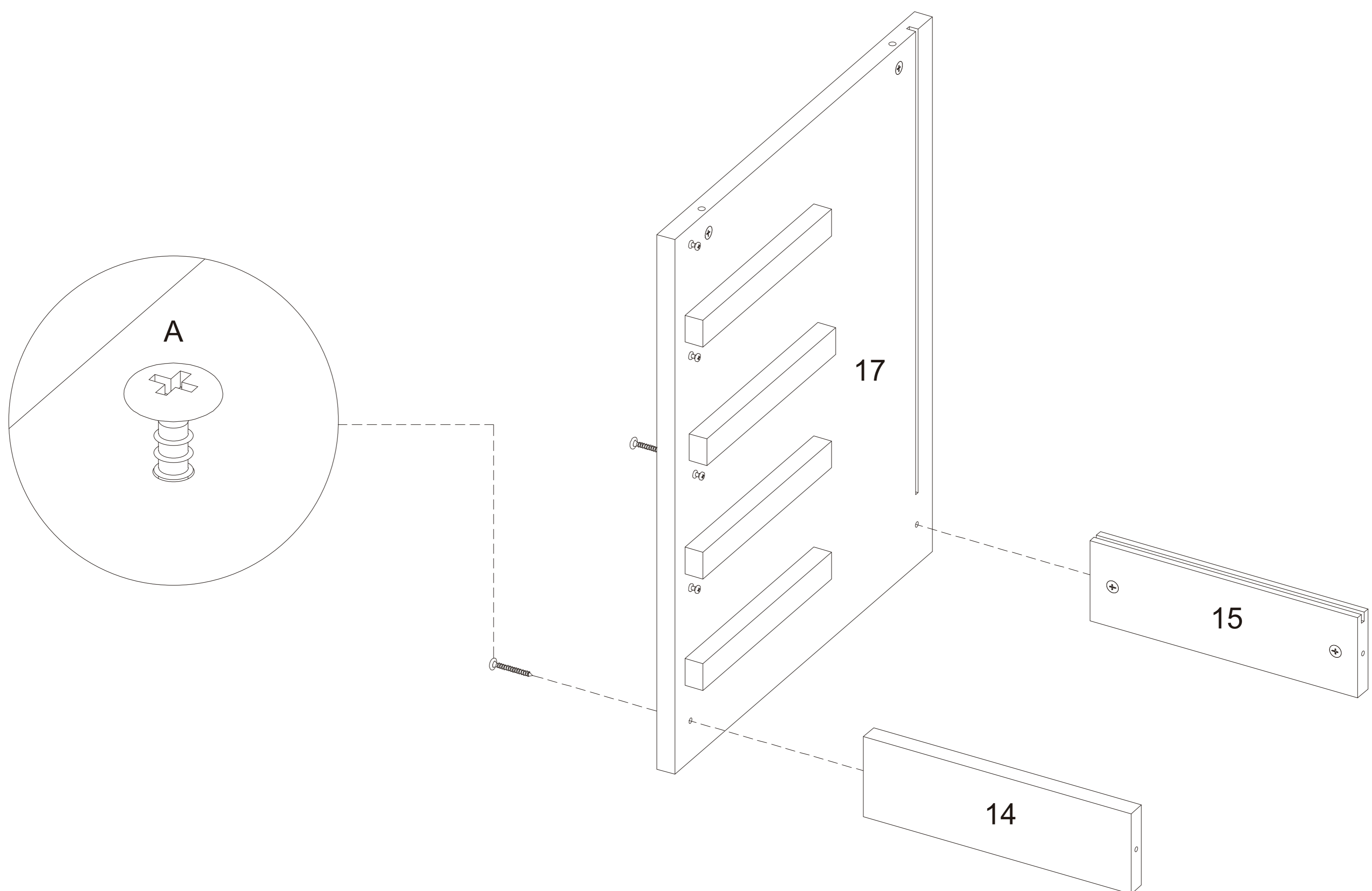
Step 14



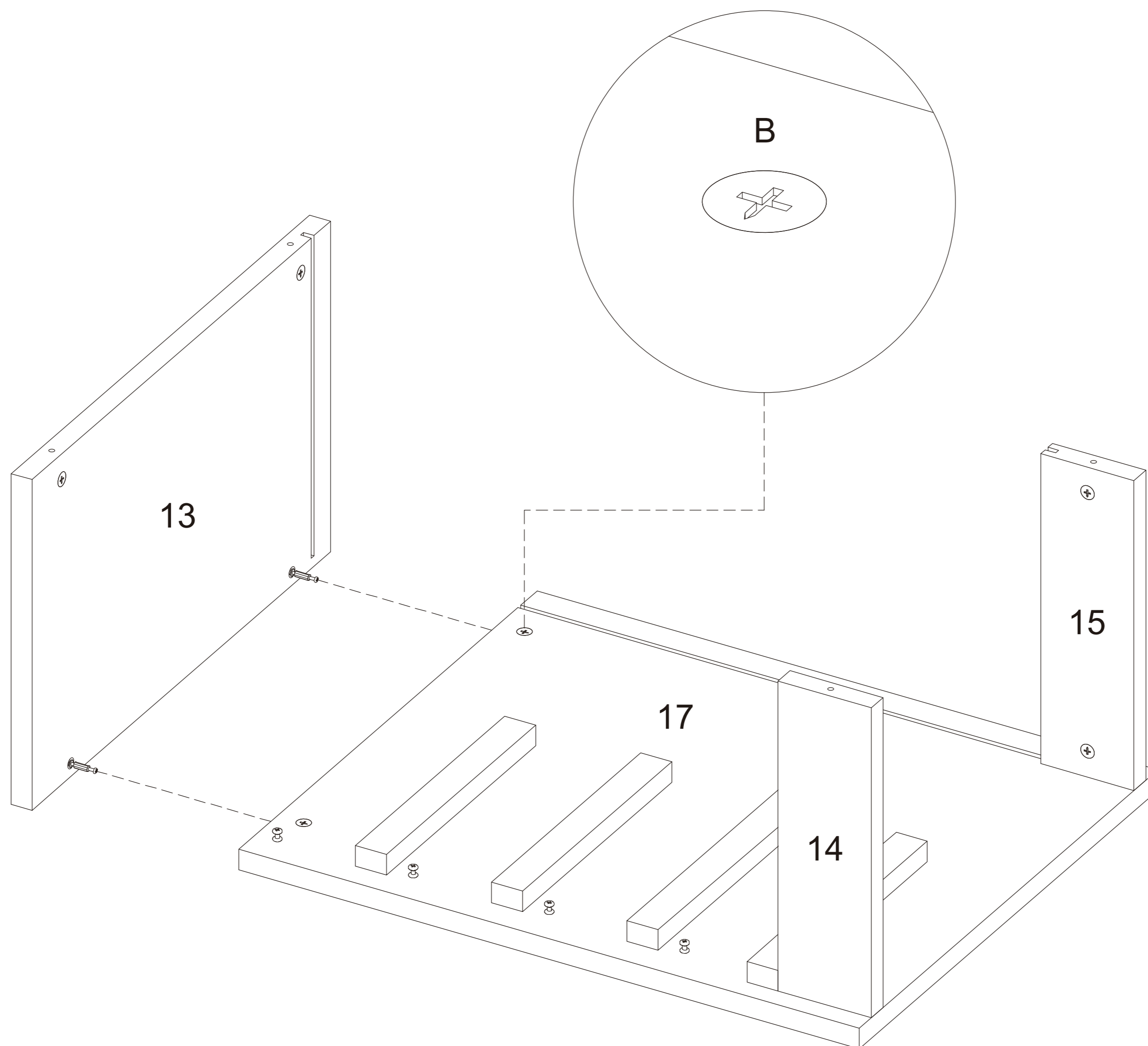
Step 15 pick up 13 x1, 14 x1, 15 x1, 16 x1, 17 x1



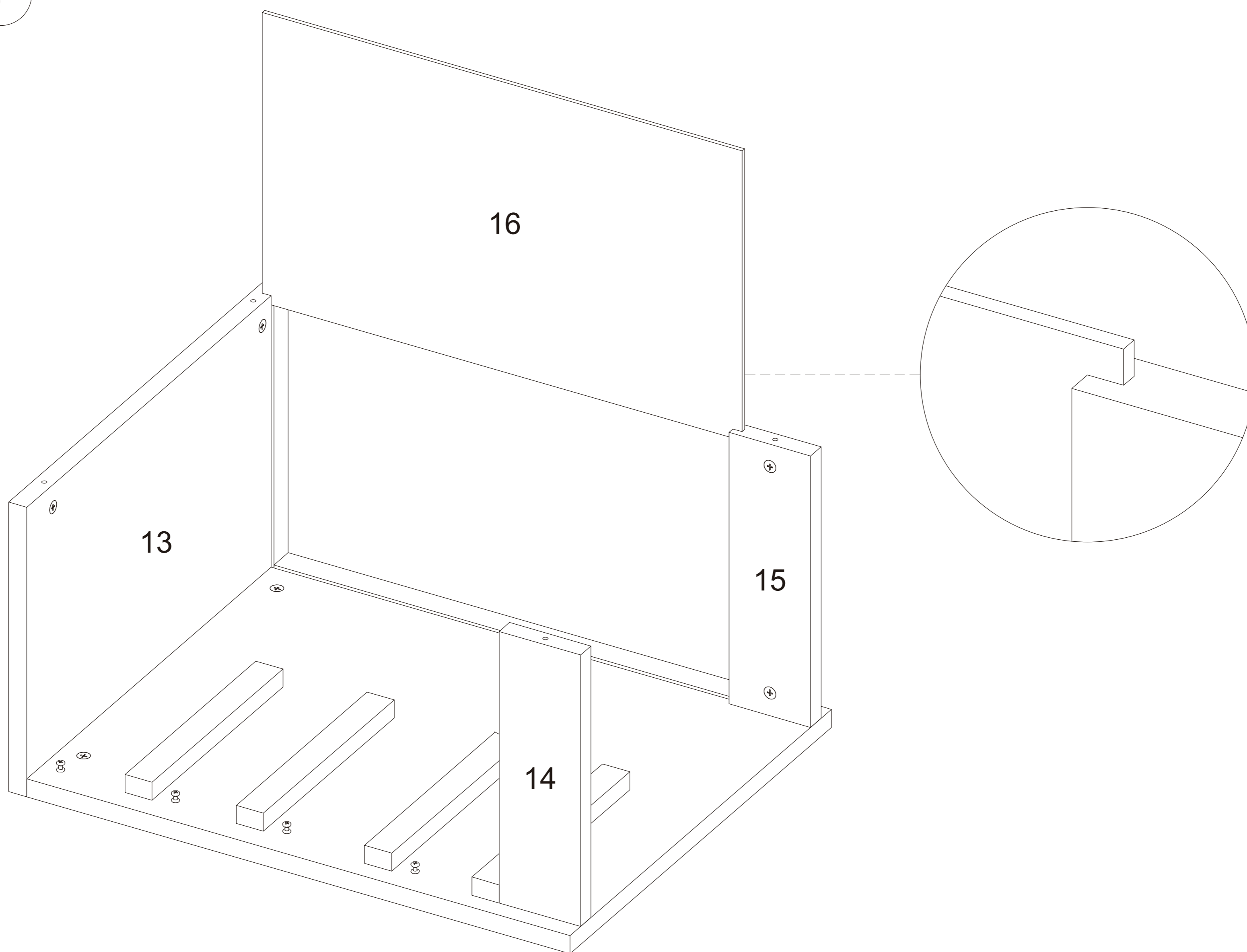
Step 16



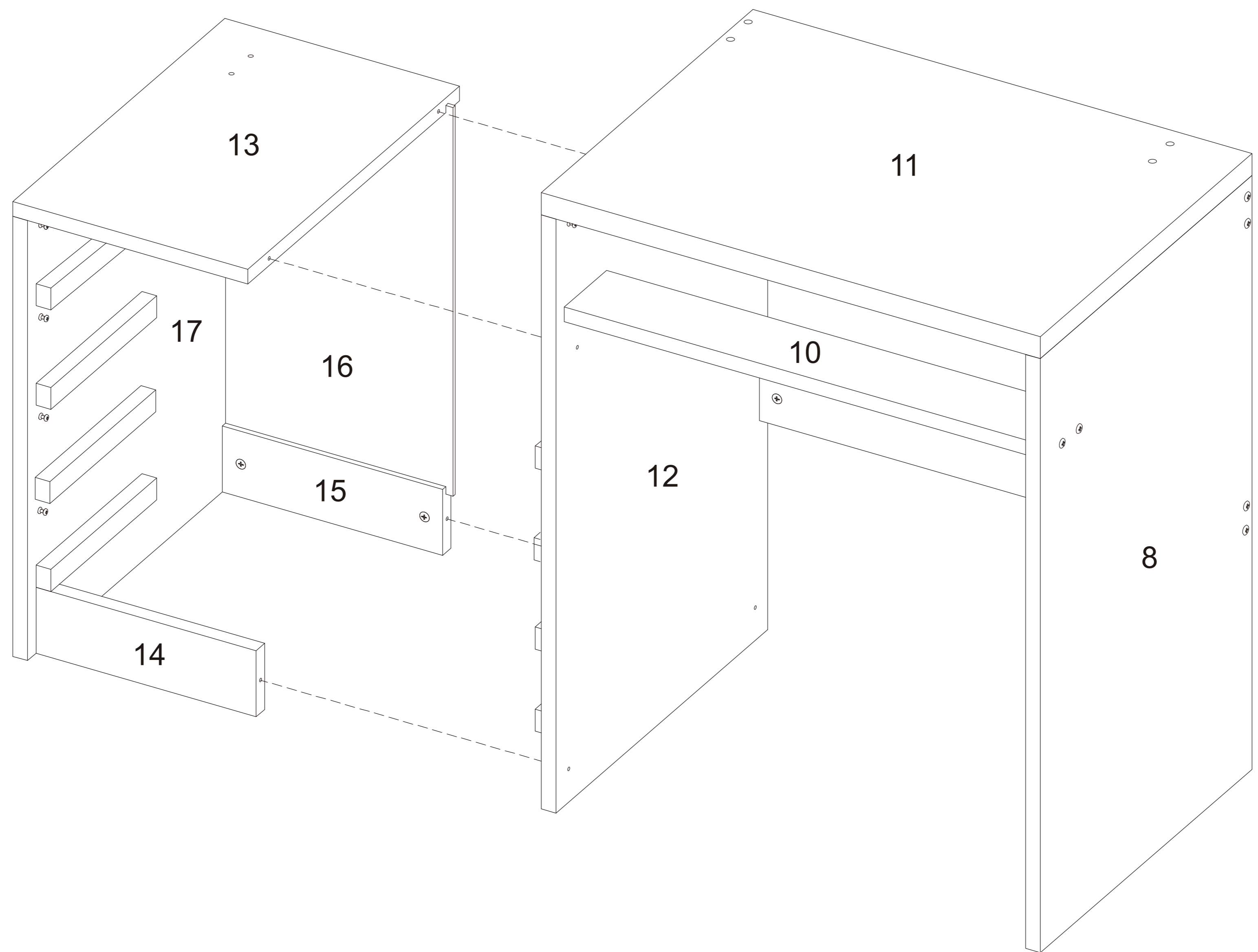
Step 17



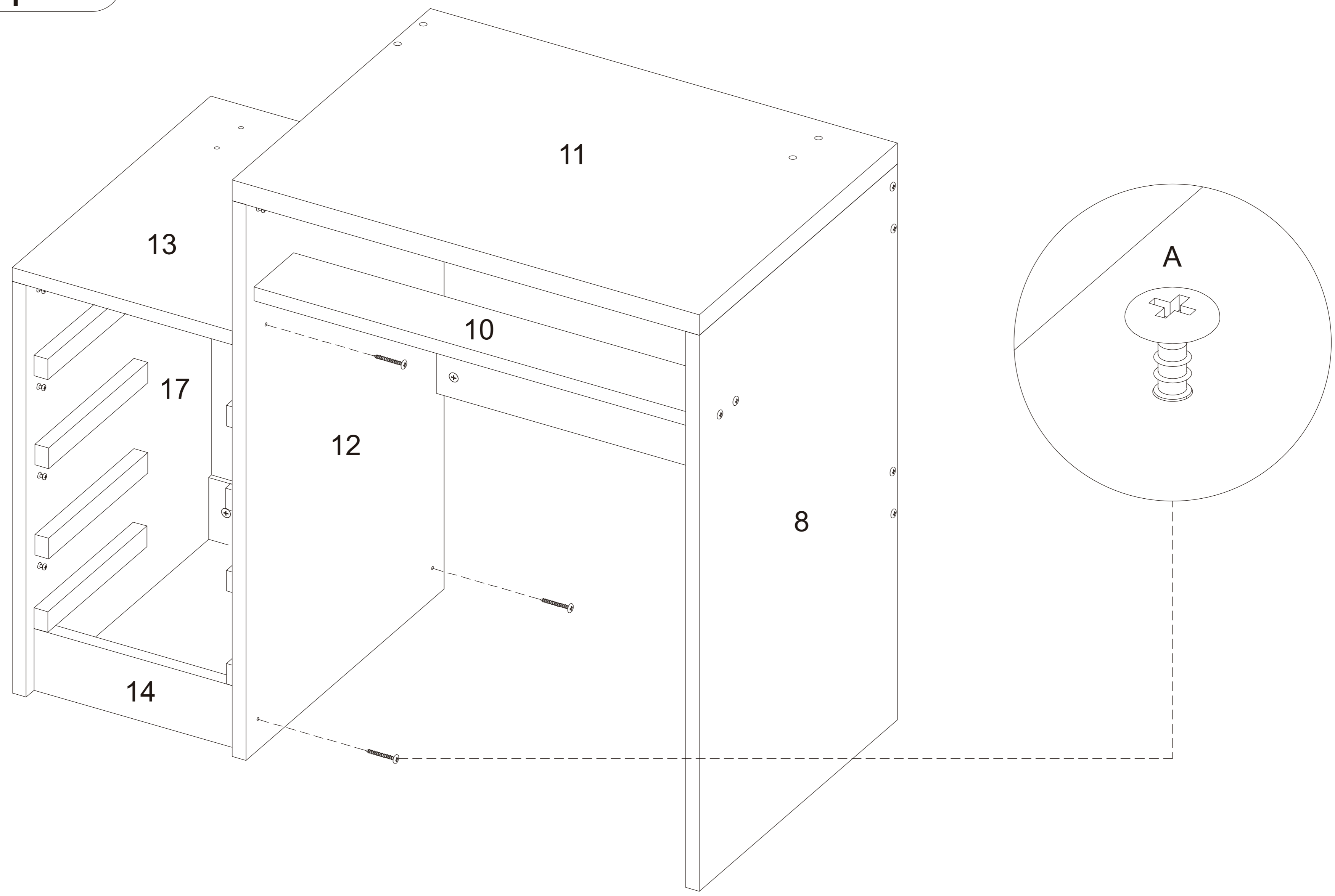
Step 18



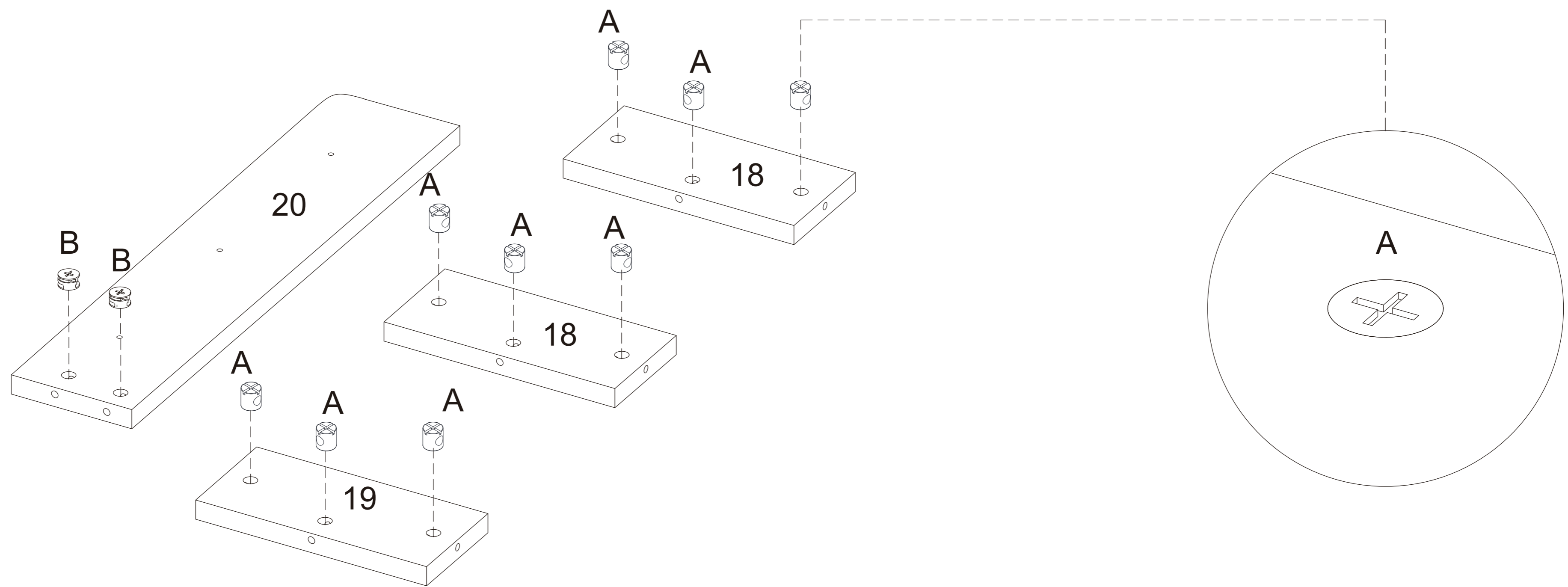
Step 19



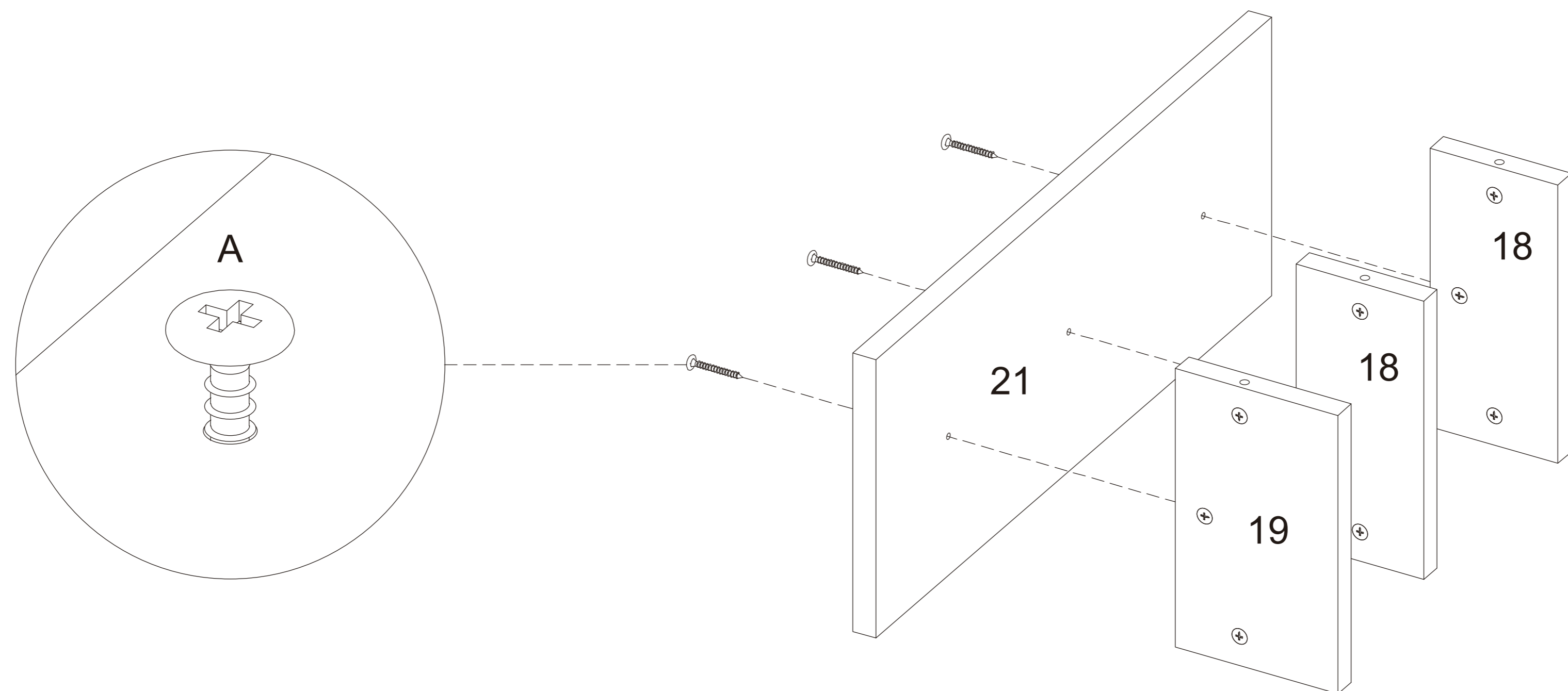
Step 20



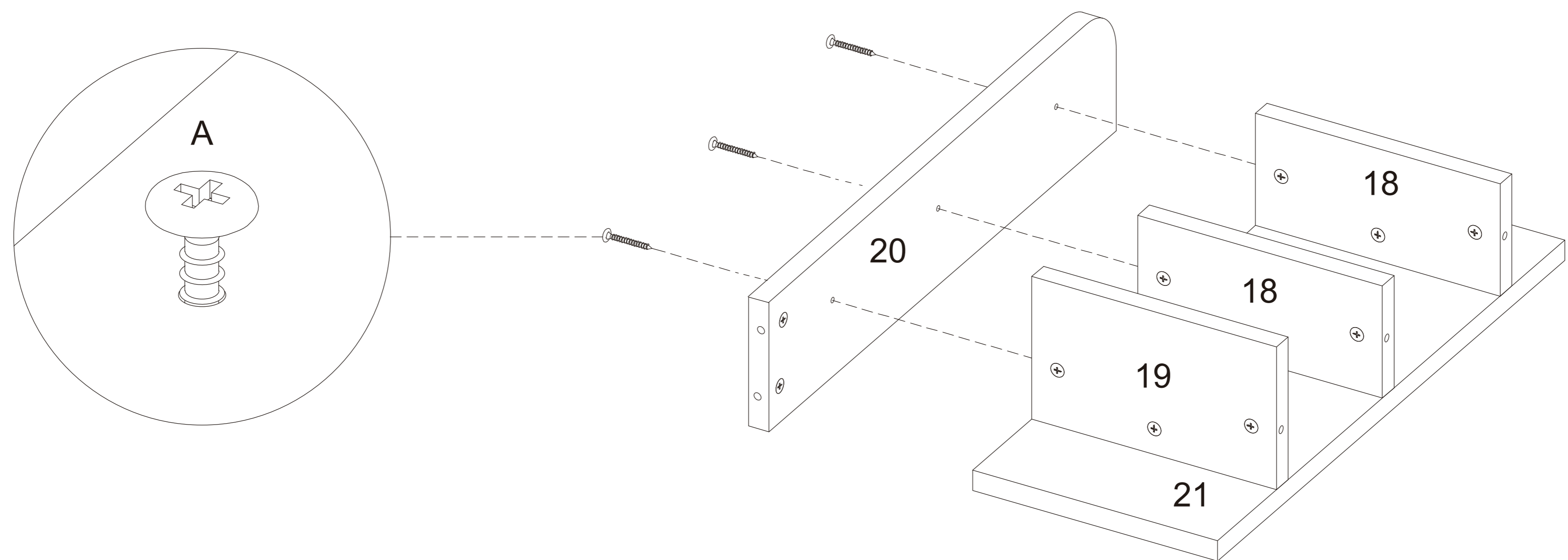
Step 21 pick up 18 x2, 19 x1, 20 x1, 21 x1



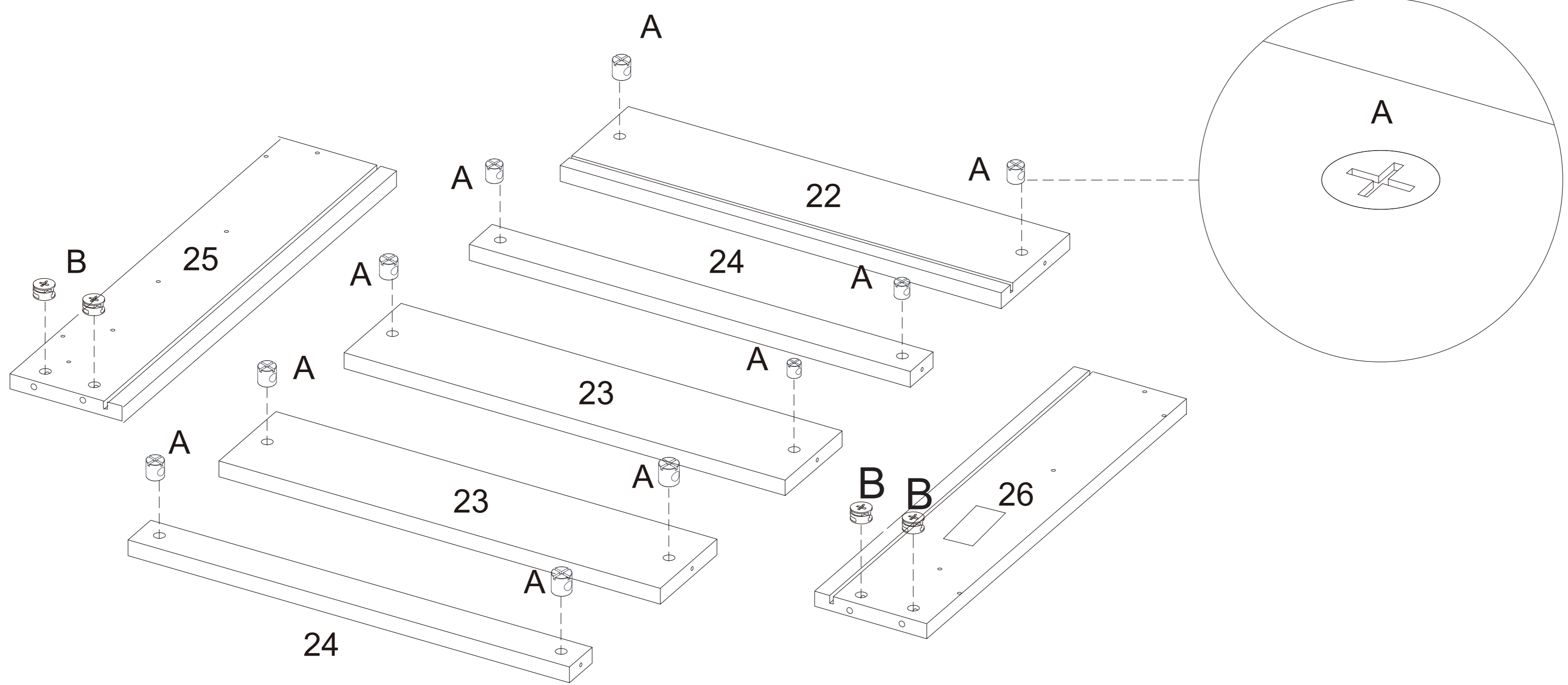
Step 22



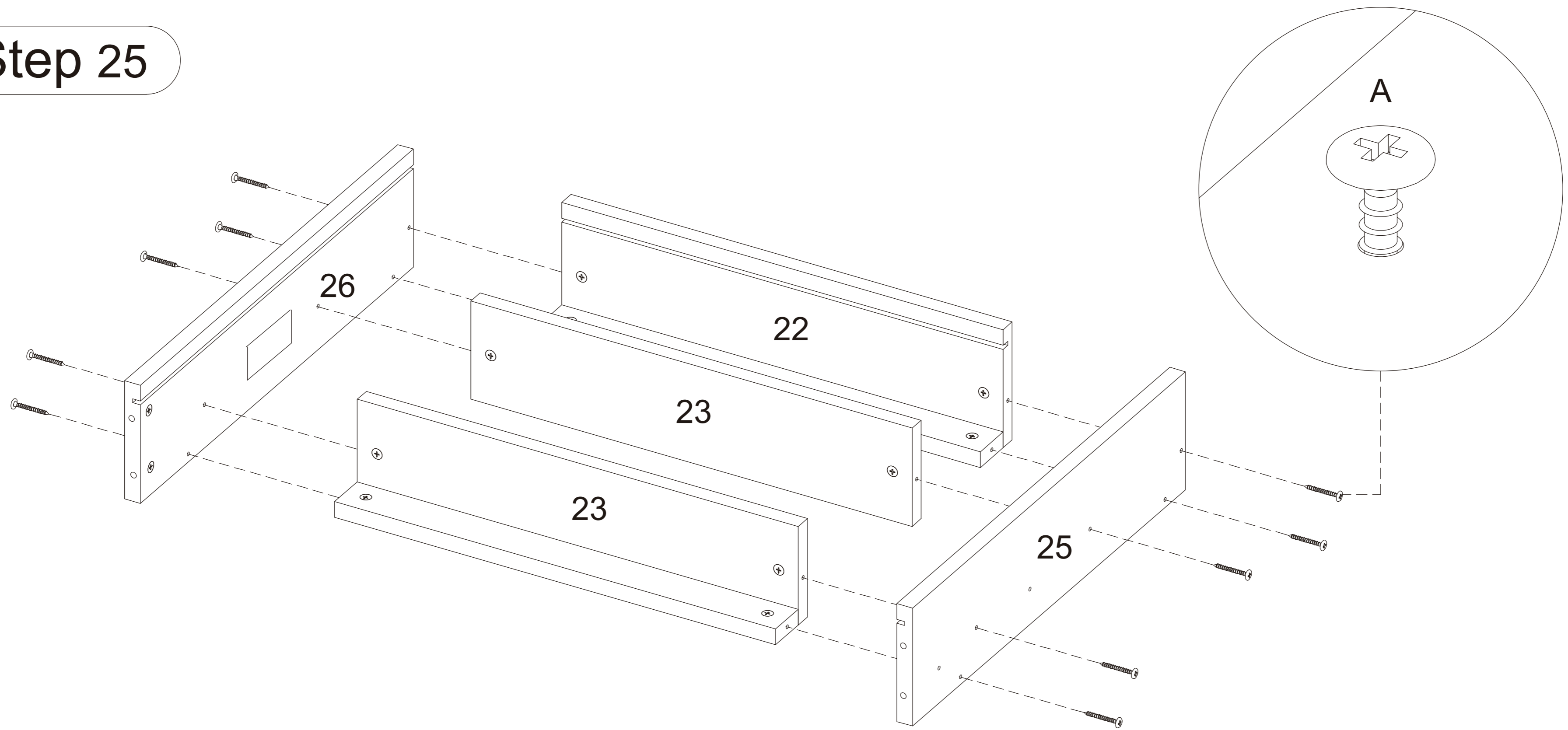
Step 23



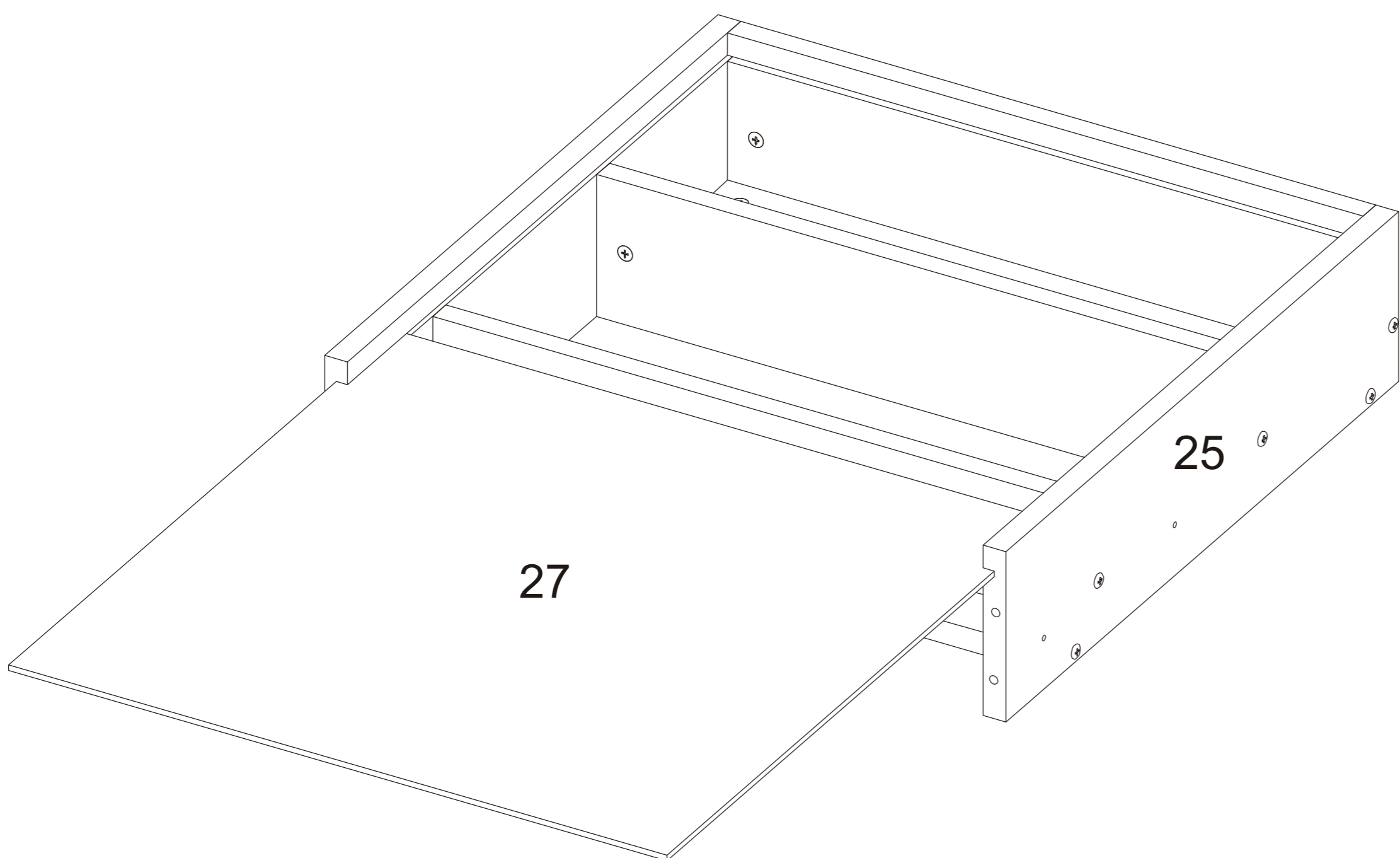
Step 24 pick up (22) x1, (23) x2, (24) x2, (25) x1, (26) x1, (27) x1



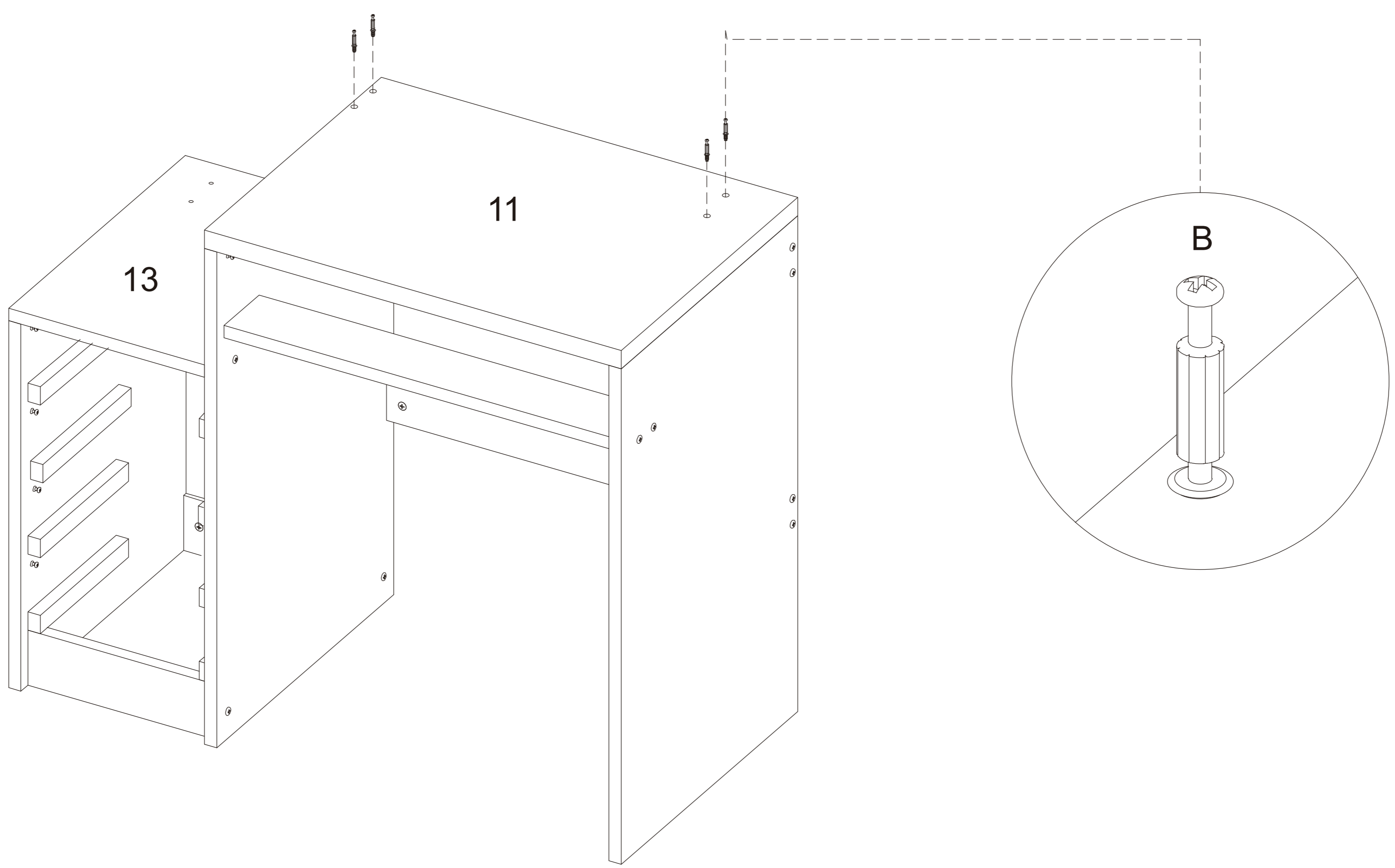
Step 25



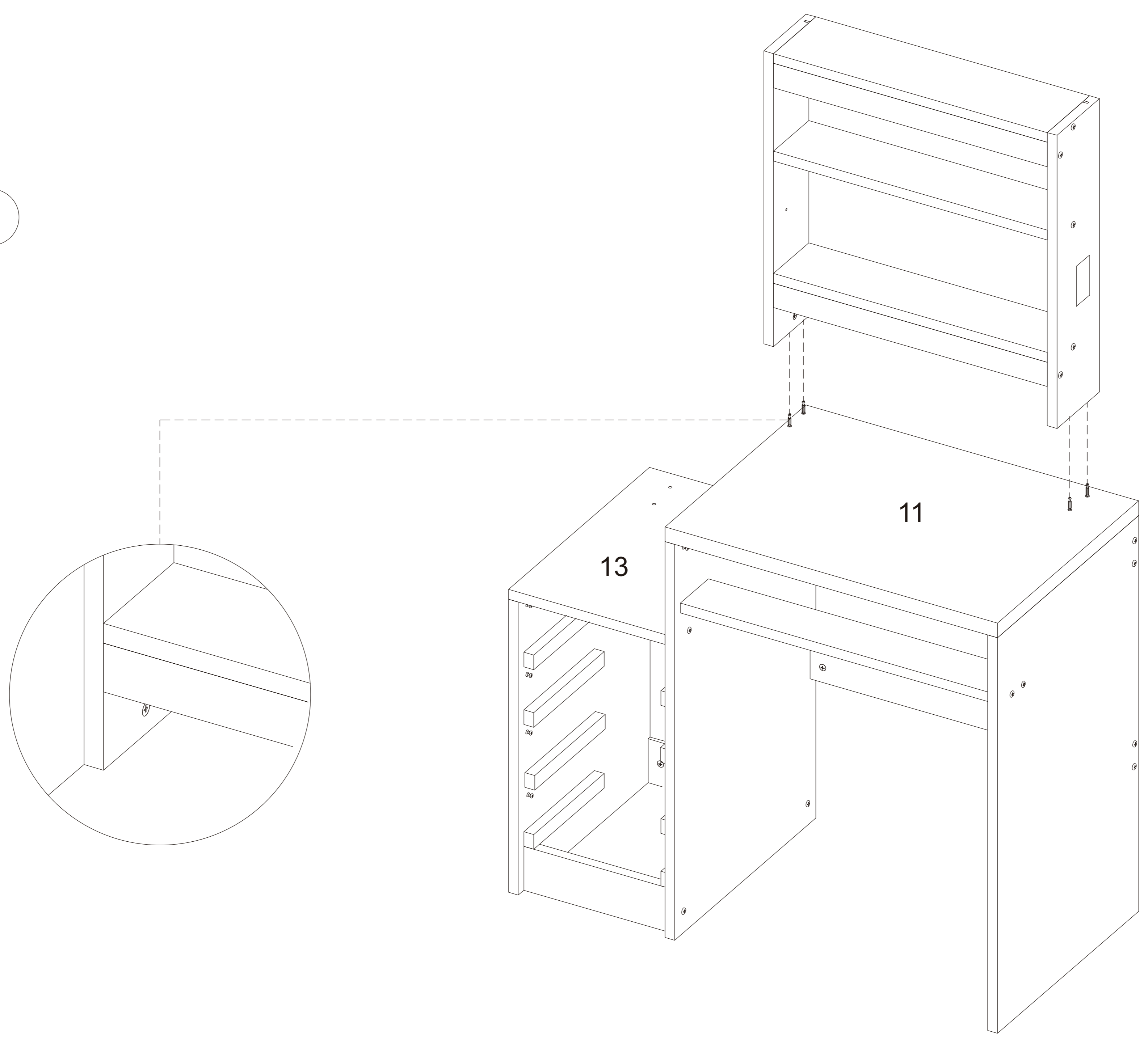
Step 26



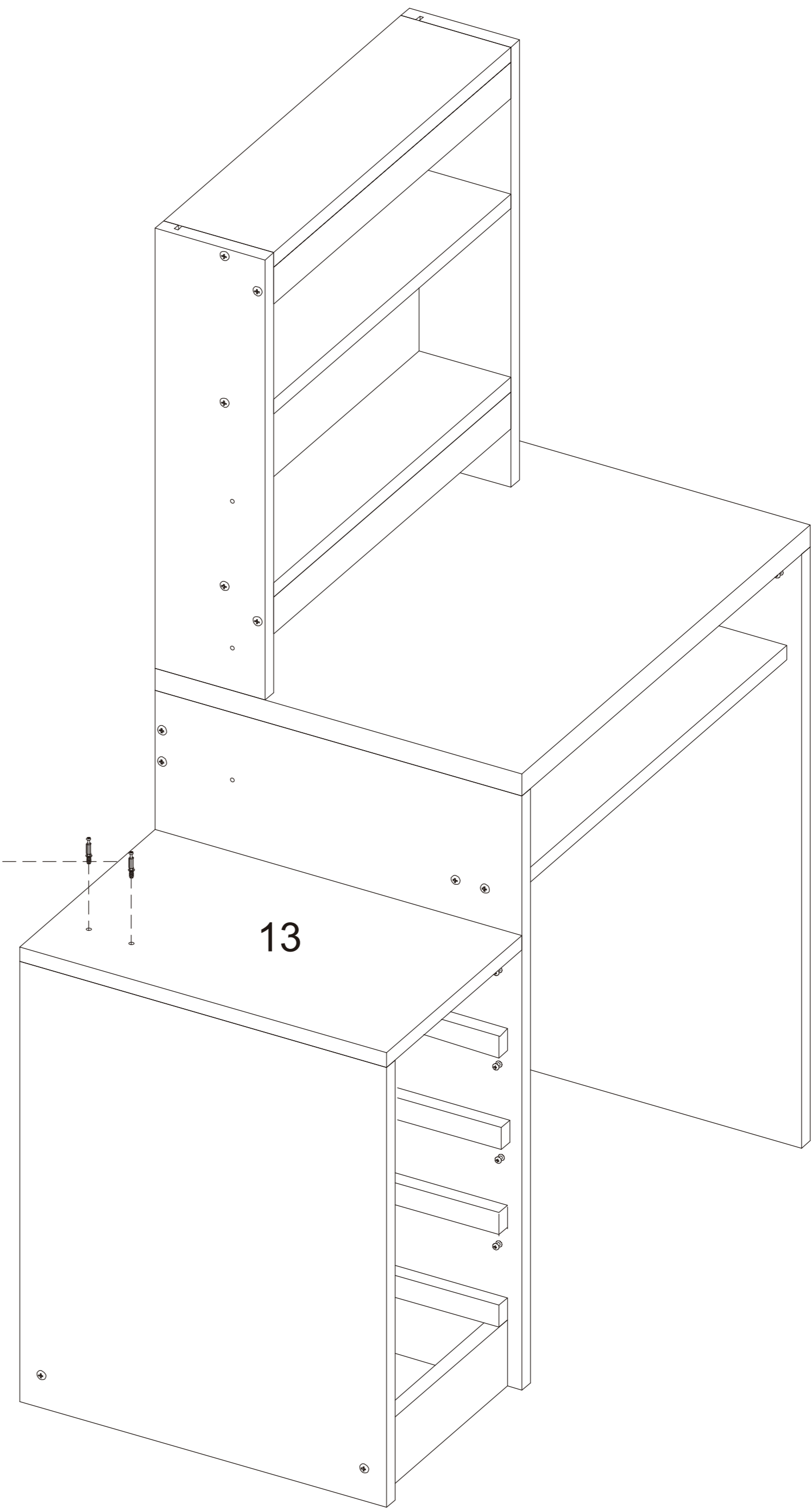
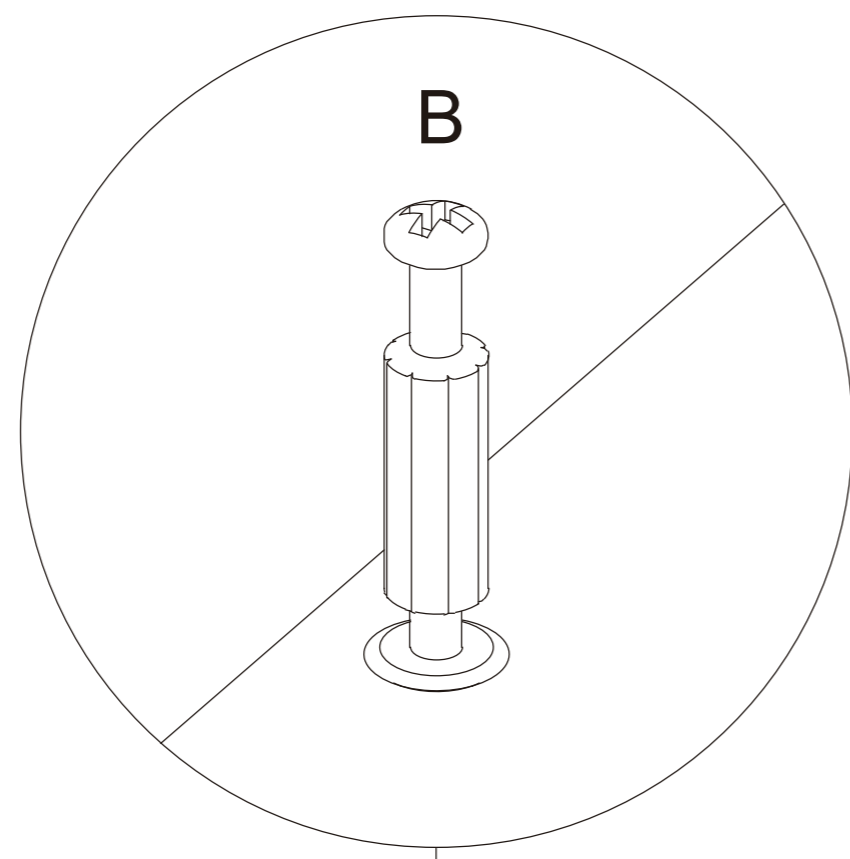
Step 27



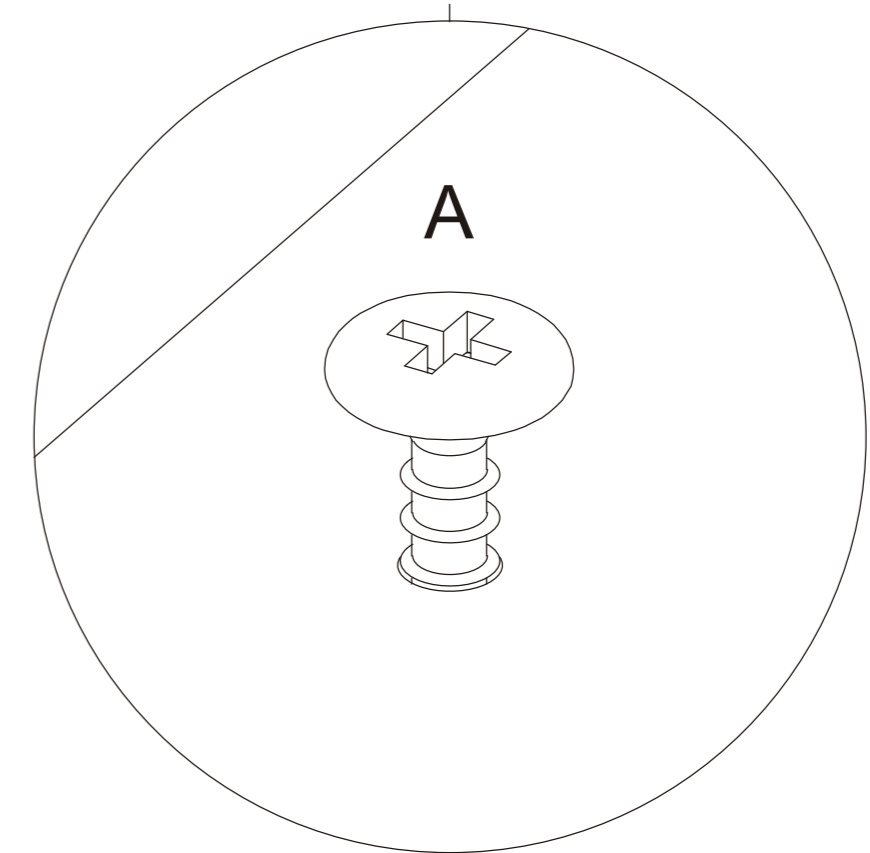
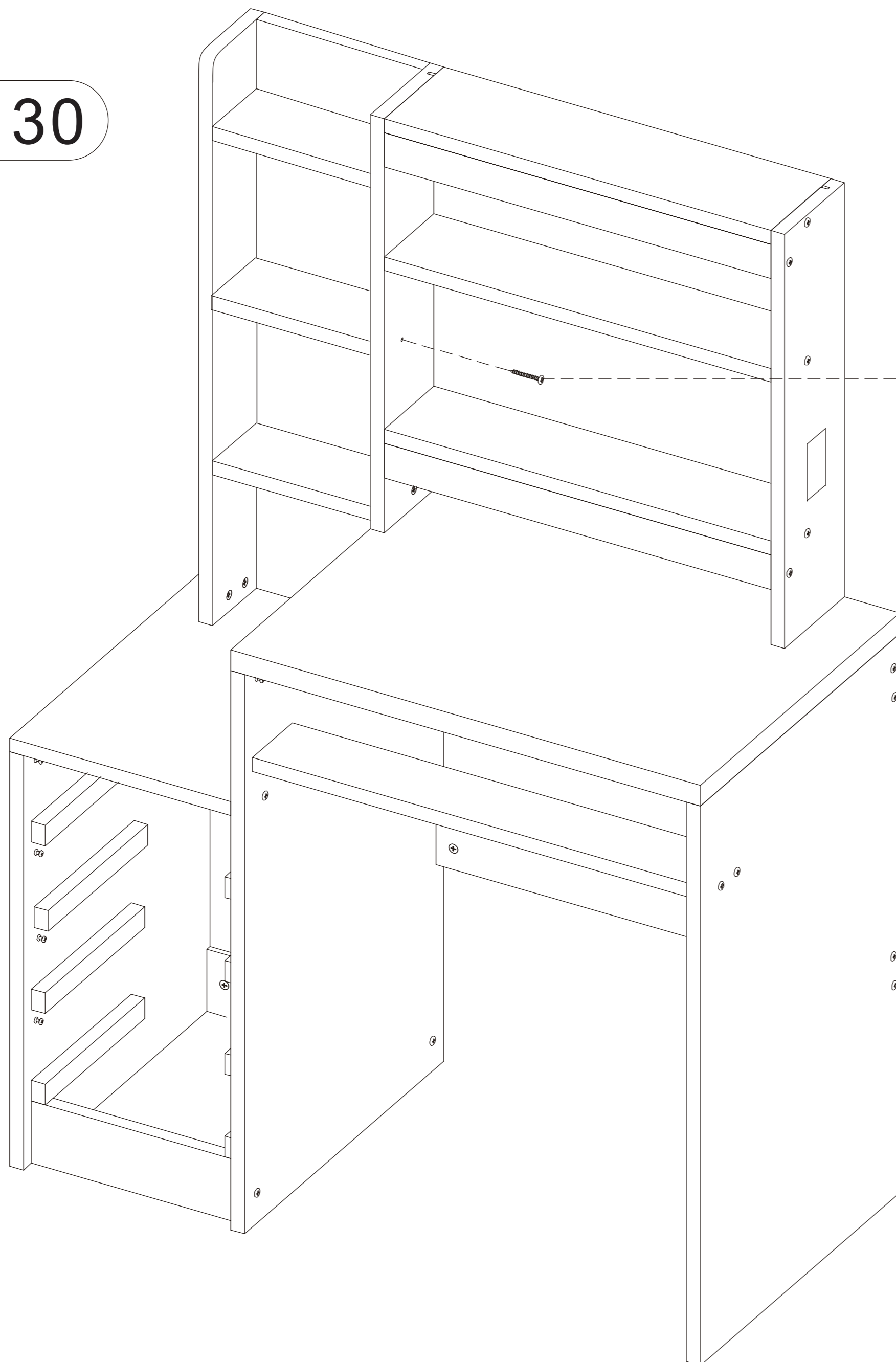
Step 28



Step 29

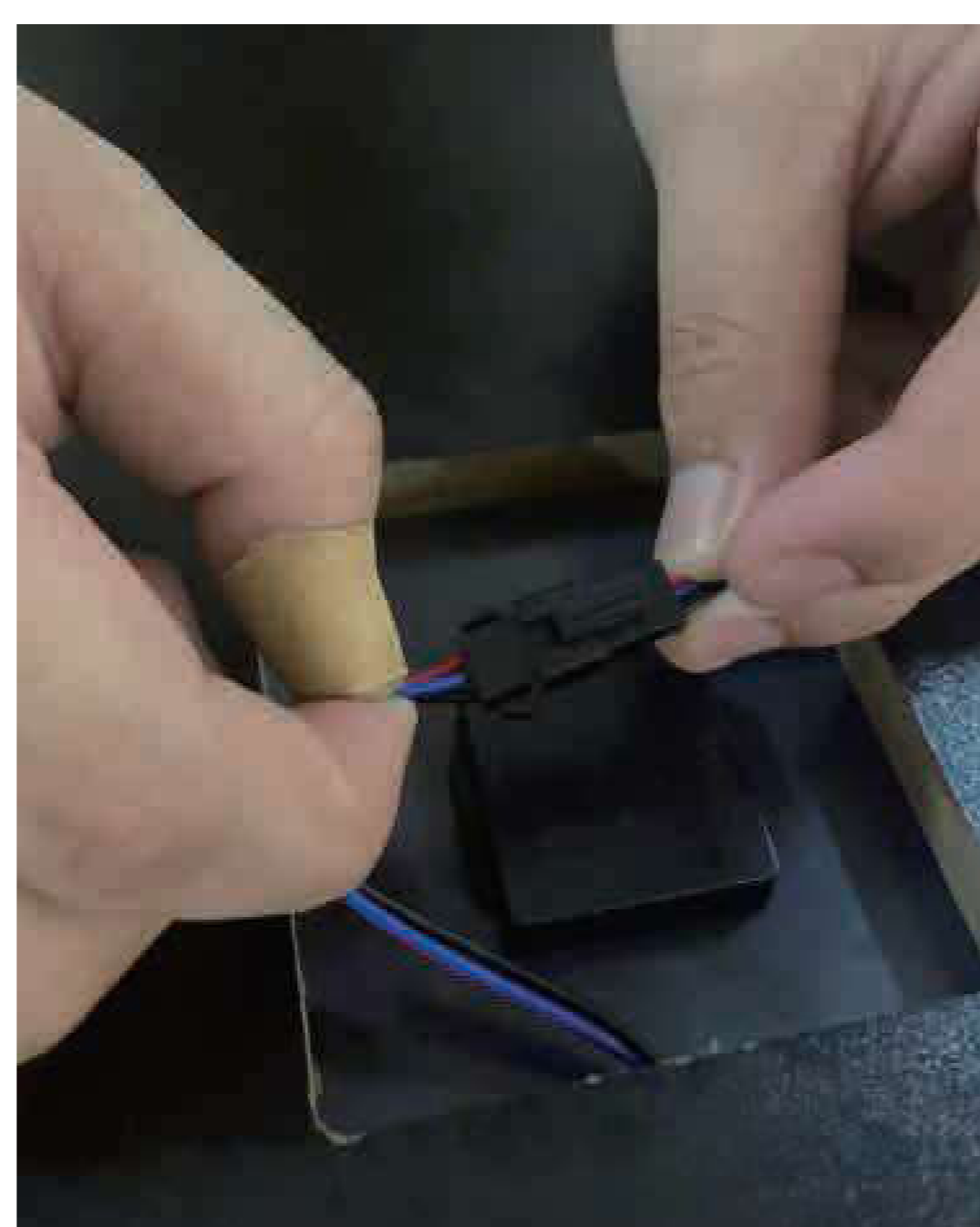
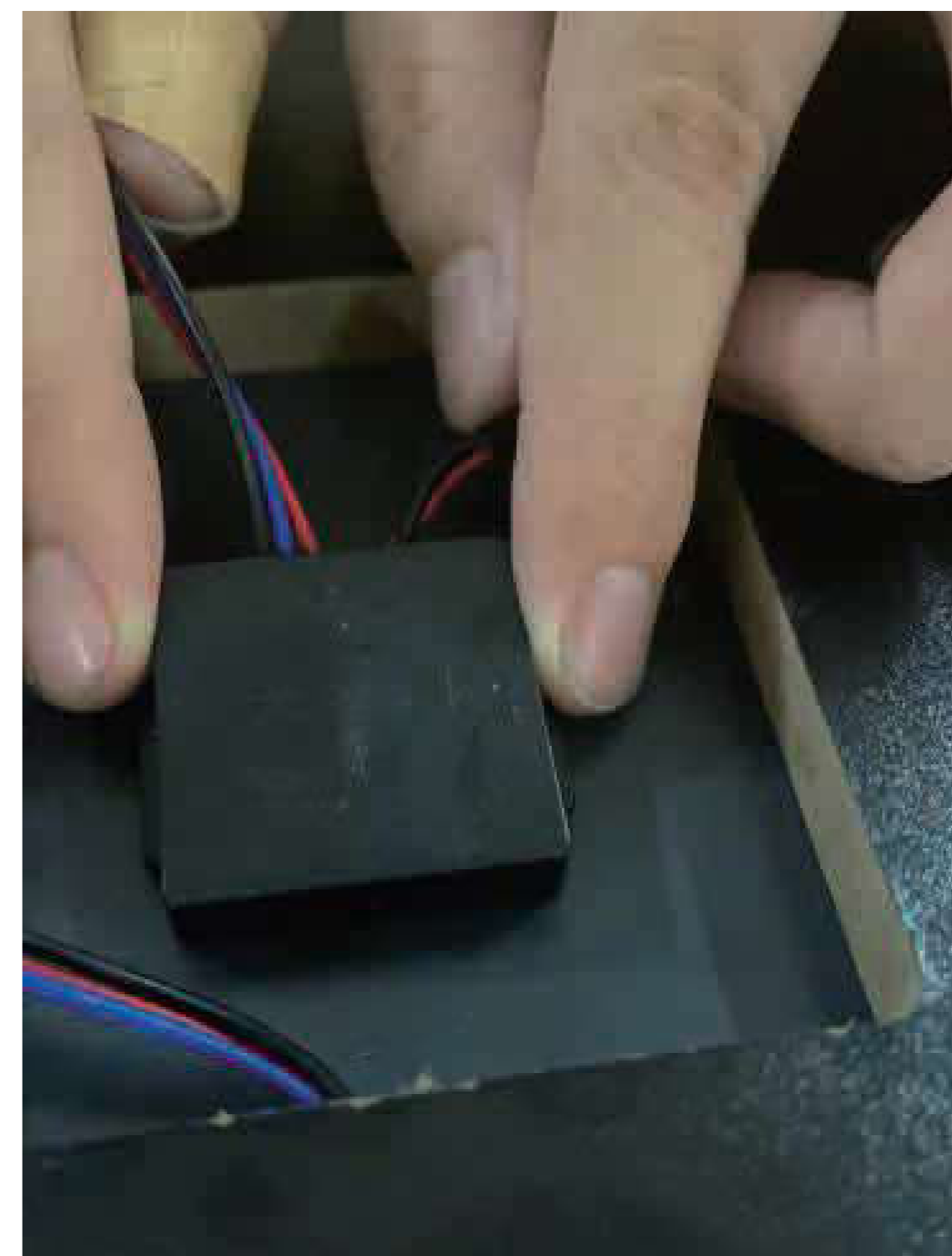
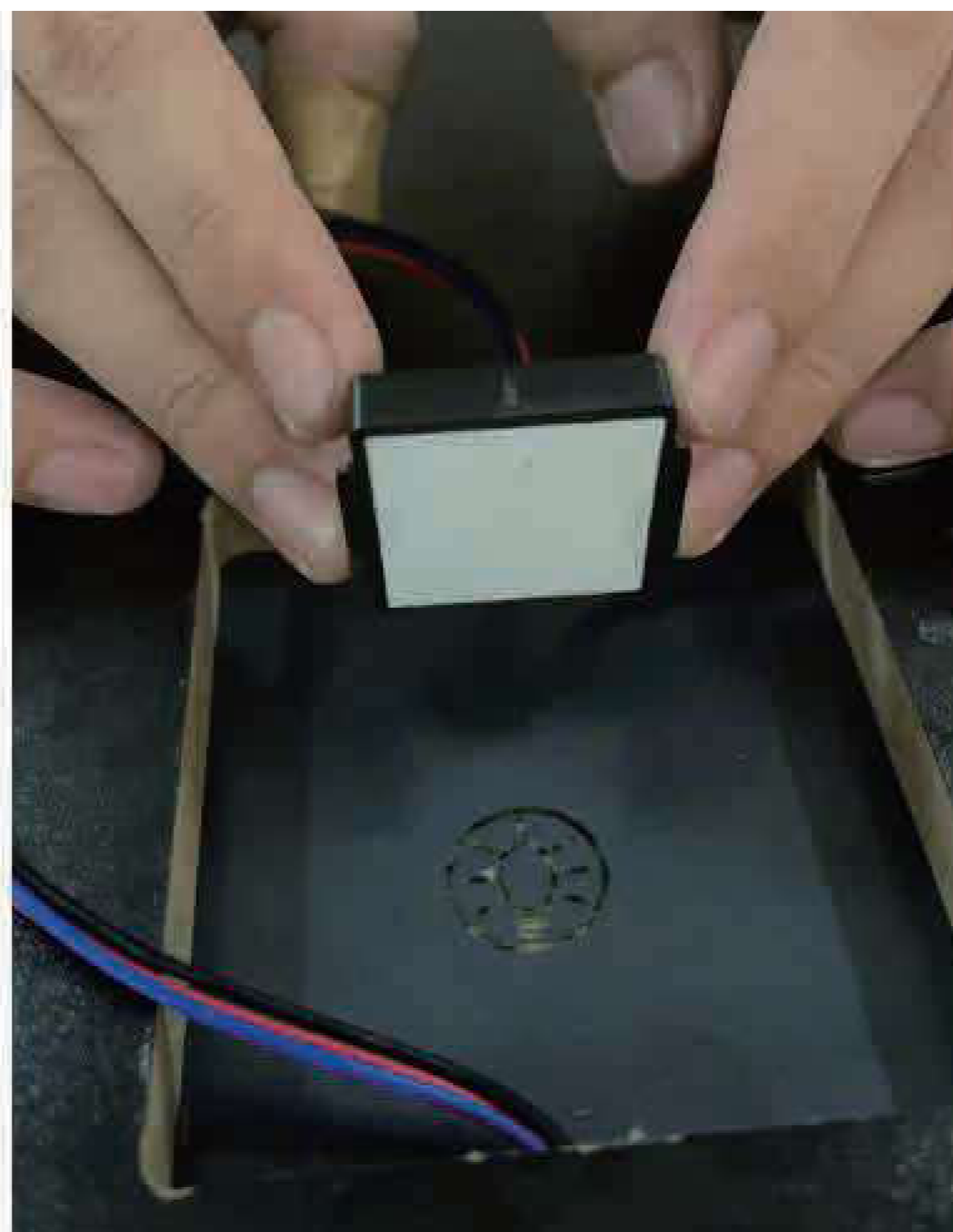
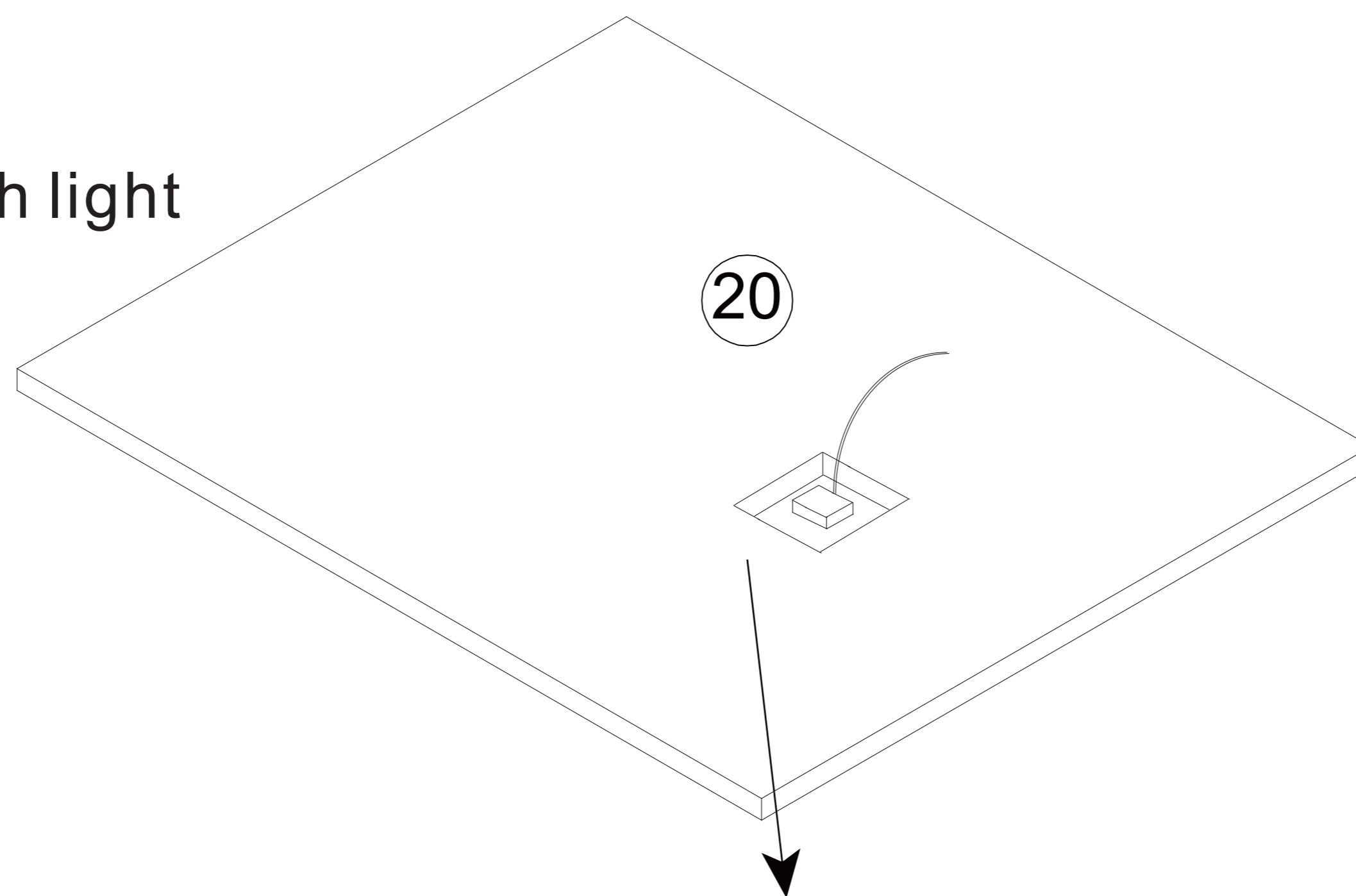


Step 30



## Step 31

For vanity table with light

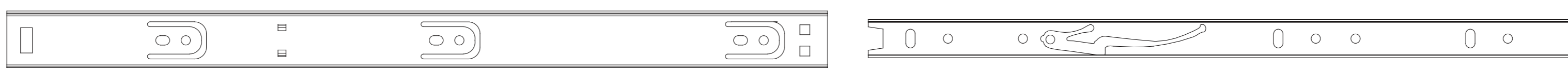
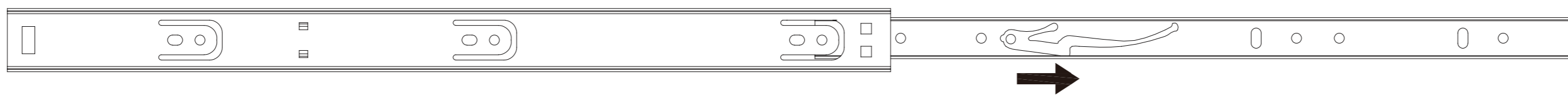
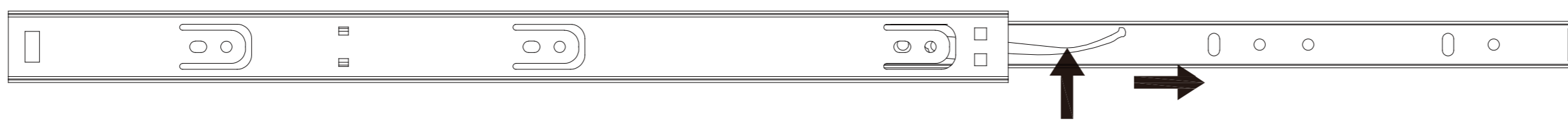
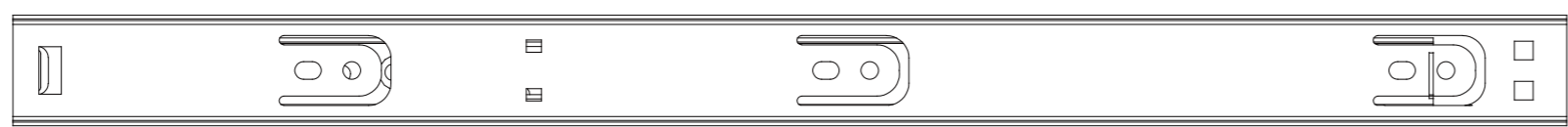
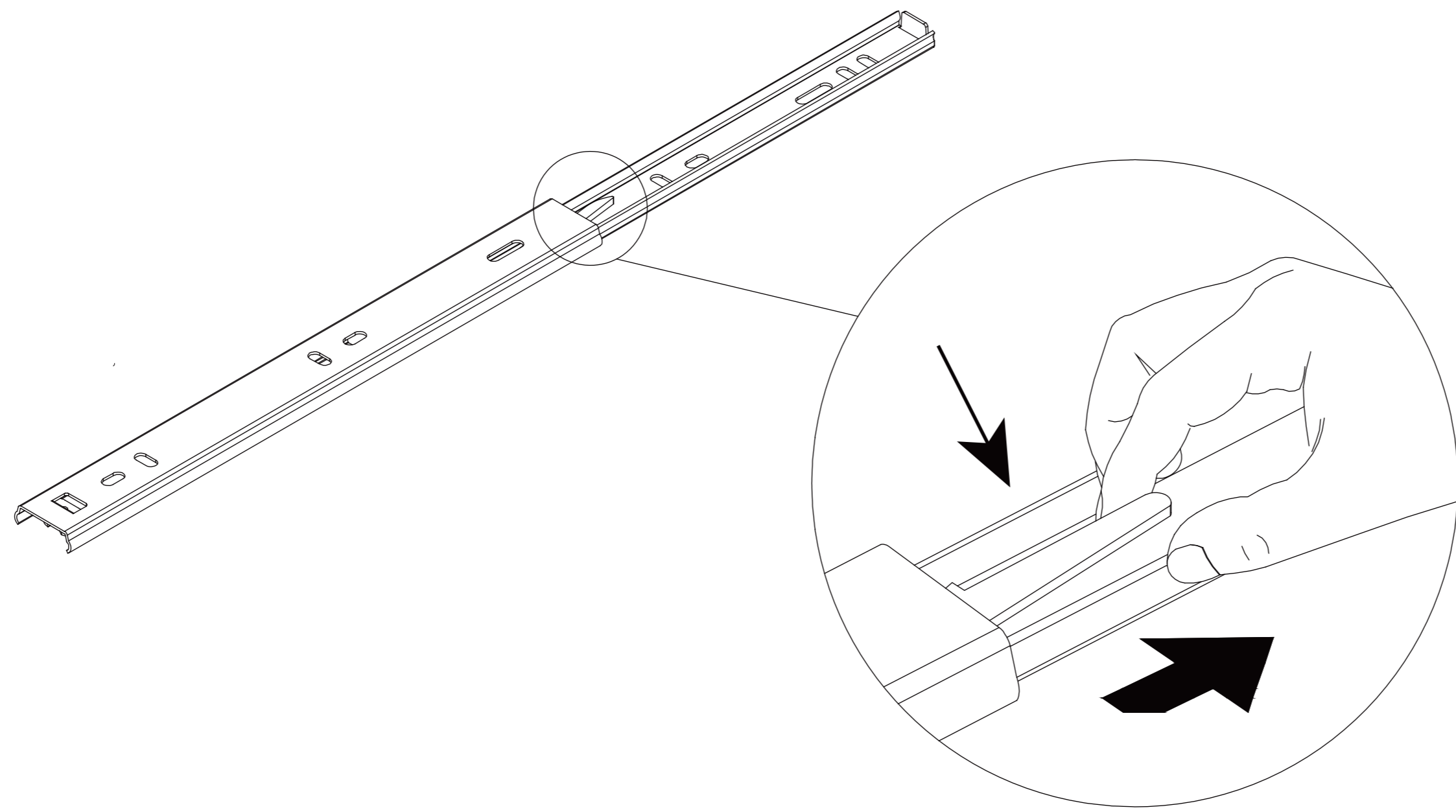


If your vanity table include a LED mirror light, please test the light in this step. Touch the switch button on the mirror to turn on the mirror light, click the switch button to change the color of the light, and long press the switch button to adjust the brightness. If the switch button is not sensitive, you can check whether the touch switch is tightly attached to the mirror back as shown in the diagram. If it is not tightly attached, please use your fingers to press the touch switch to the designated position and check if the connecting wire is OK.



Please connect the light power cord as shown in the diagram, click the touch switch to turn on the mirror light. Please note that due to strict safety standards and heat dissipation requirements, the maximum brightness of the mirror light must be controlled below the safety standards. Therefore, the mirror light is not very bright and is not used for lighting purposes. It is only used to adjust the color of the environment. If you think that the light is not bright enough, it is due to safety standards limitations, not product quality defects.

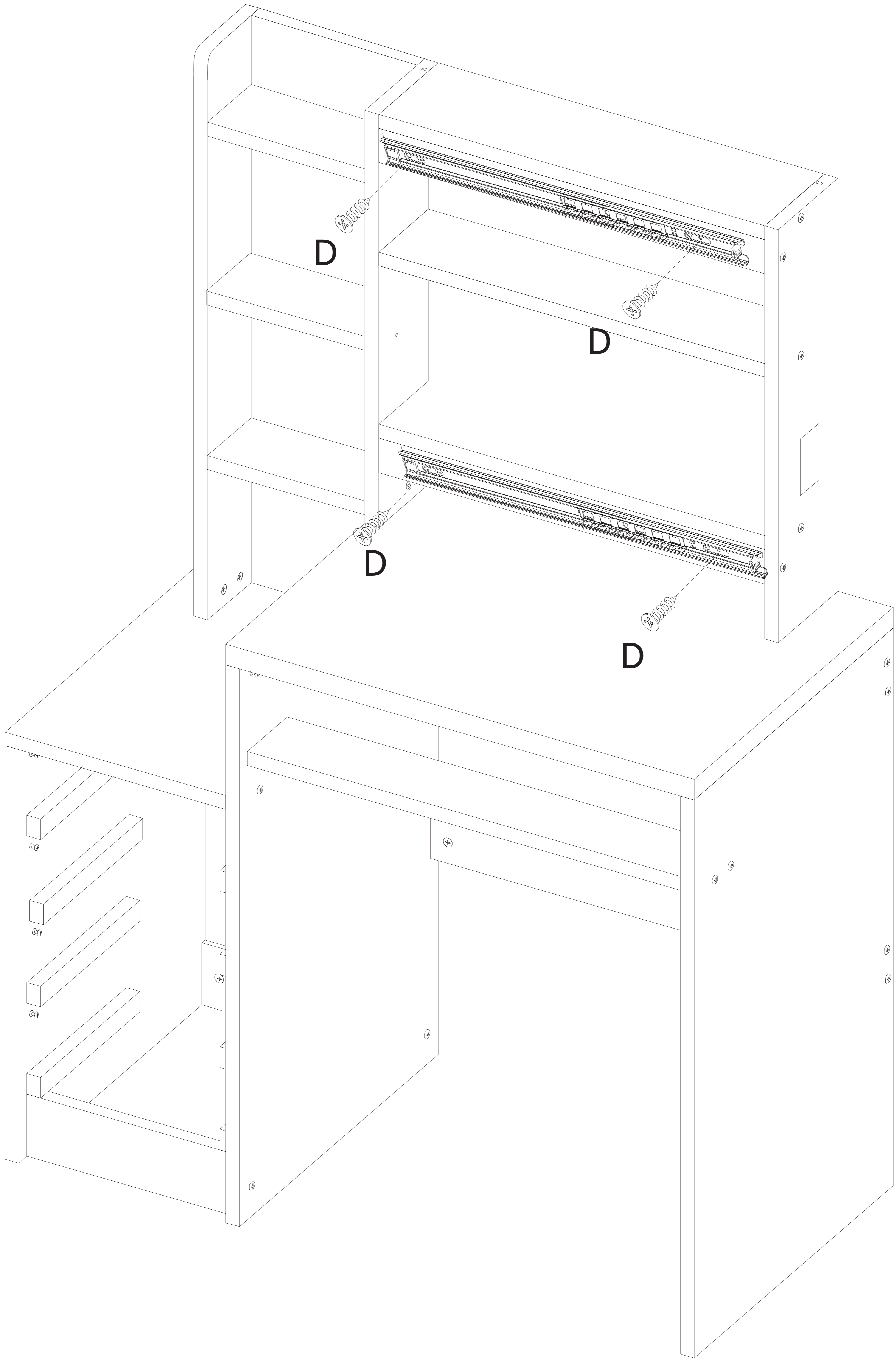
Step 32



J-1

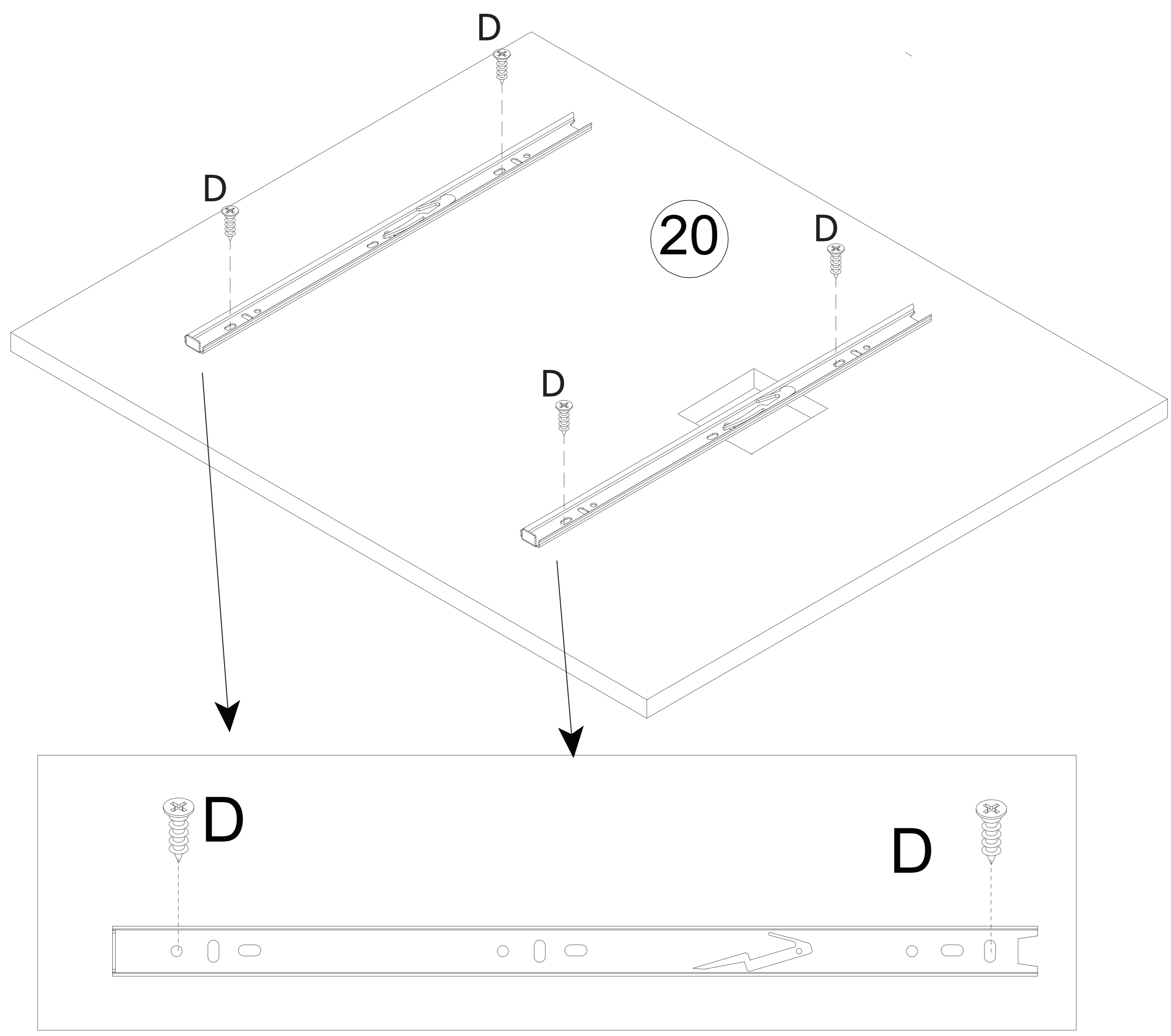
J-2

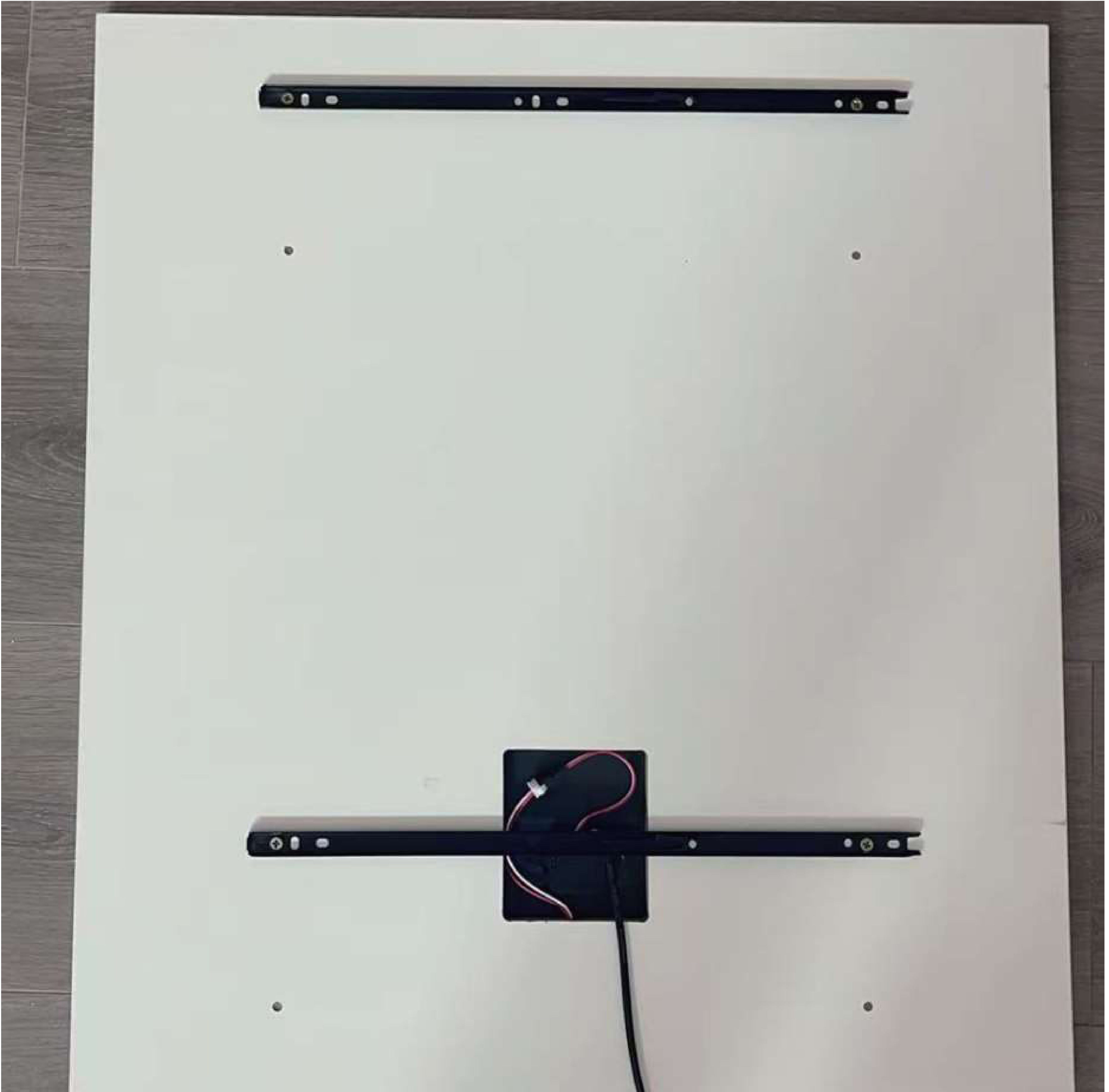
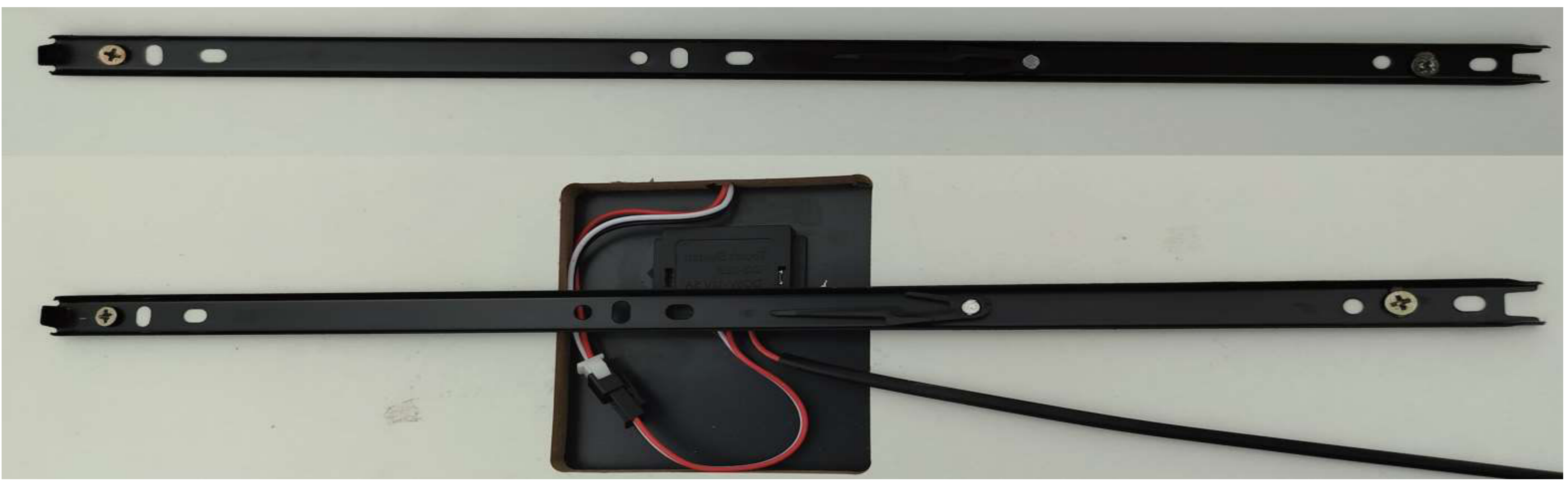






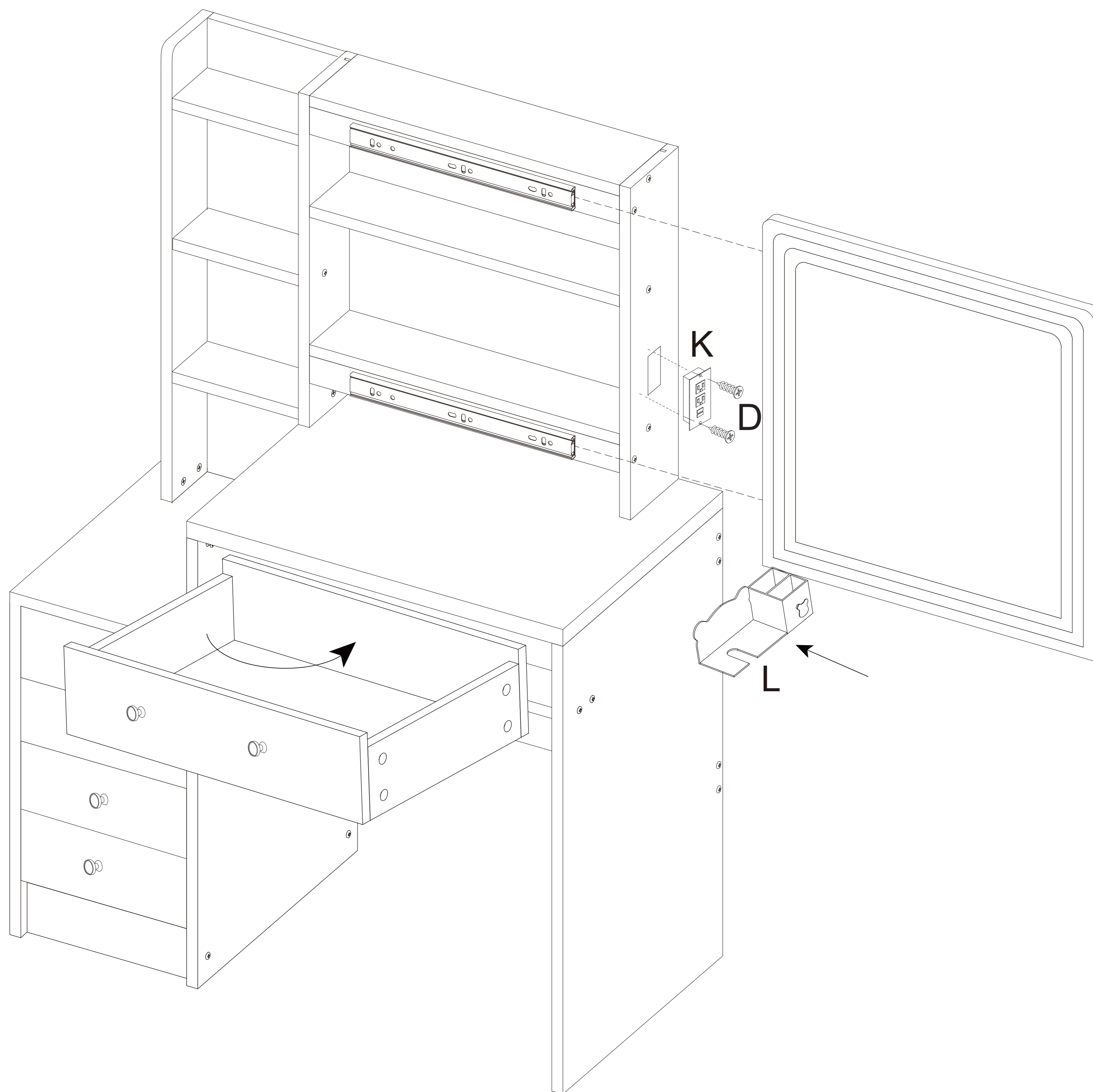
Step 33





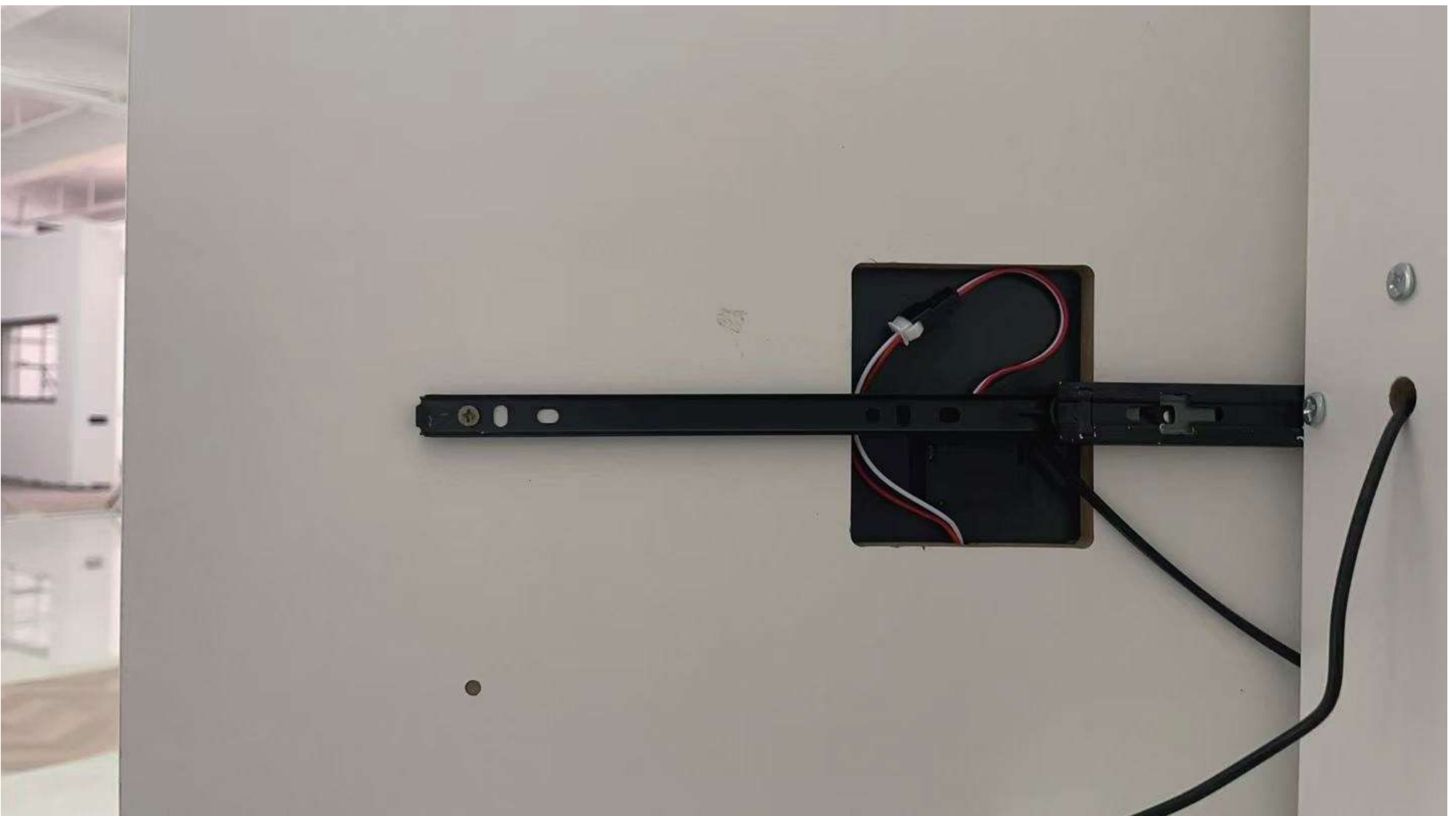
Simple version without touch switch and power cord

**Step 34** K, L for luxury version



Please note that when placing the drawer in, the drawer positioning pin will block the drawer. Therefore, please follow the diagram to first insert the inner edge of the drawer using a concave method, and then push the drawer flat.

Step 35



Simple version without touch switch and power cord



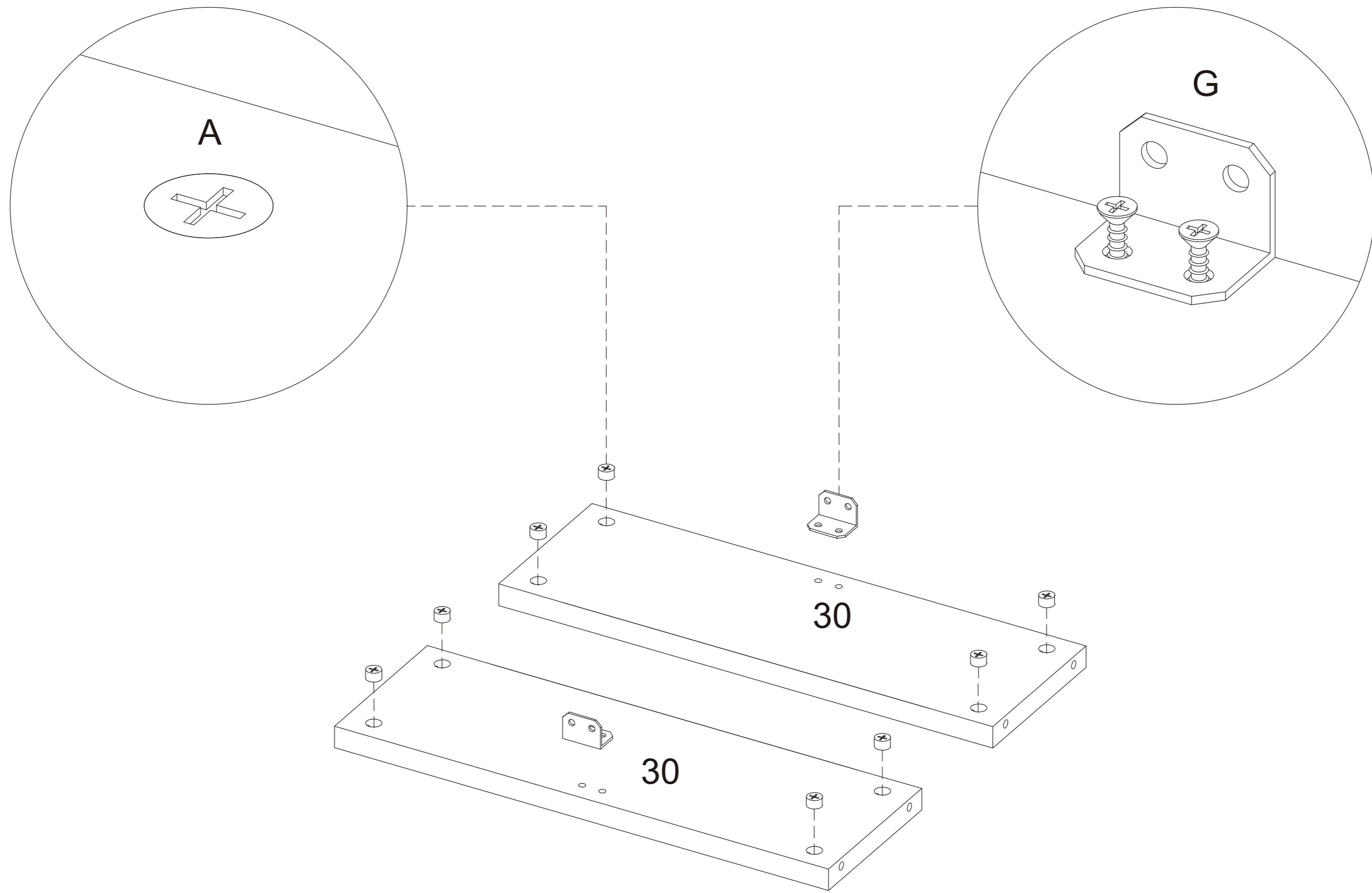


Only for vanity table with hair dryer  
bracket and built-in socket

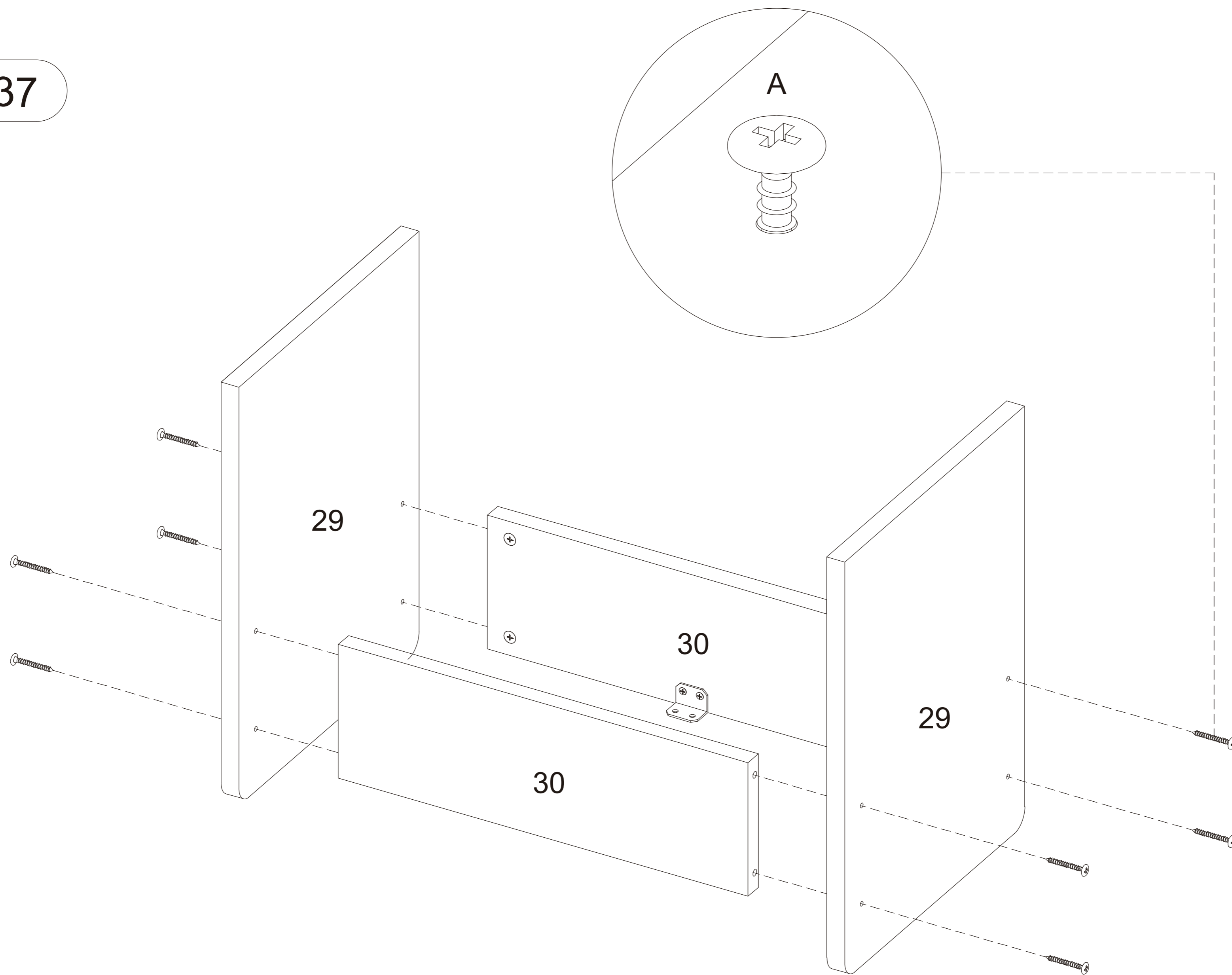


Only for vanity table with hair dryer  
bracket and built-in socket

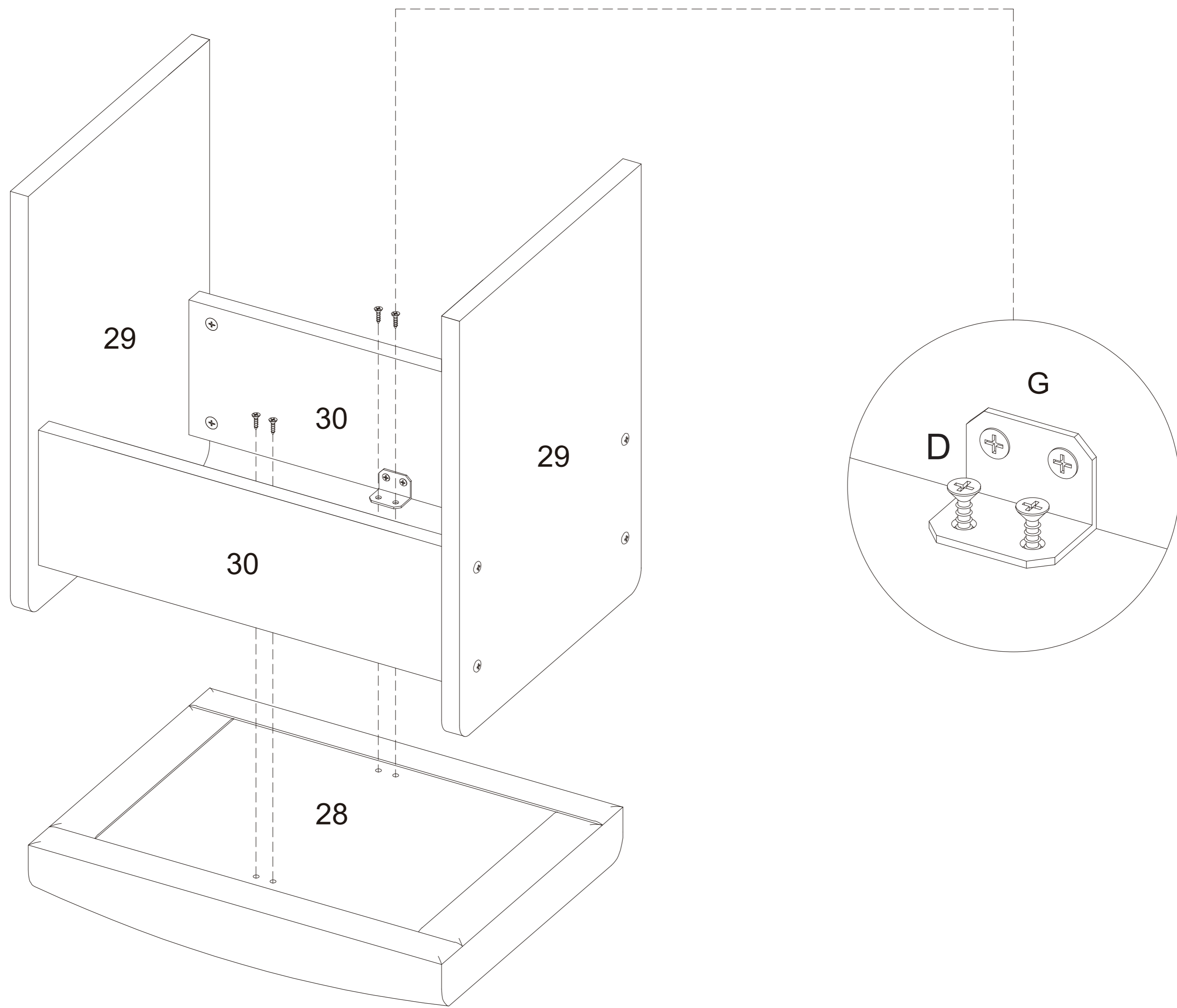
Step 36



Step 37



Step 38



Step 39

