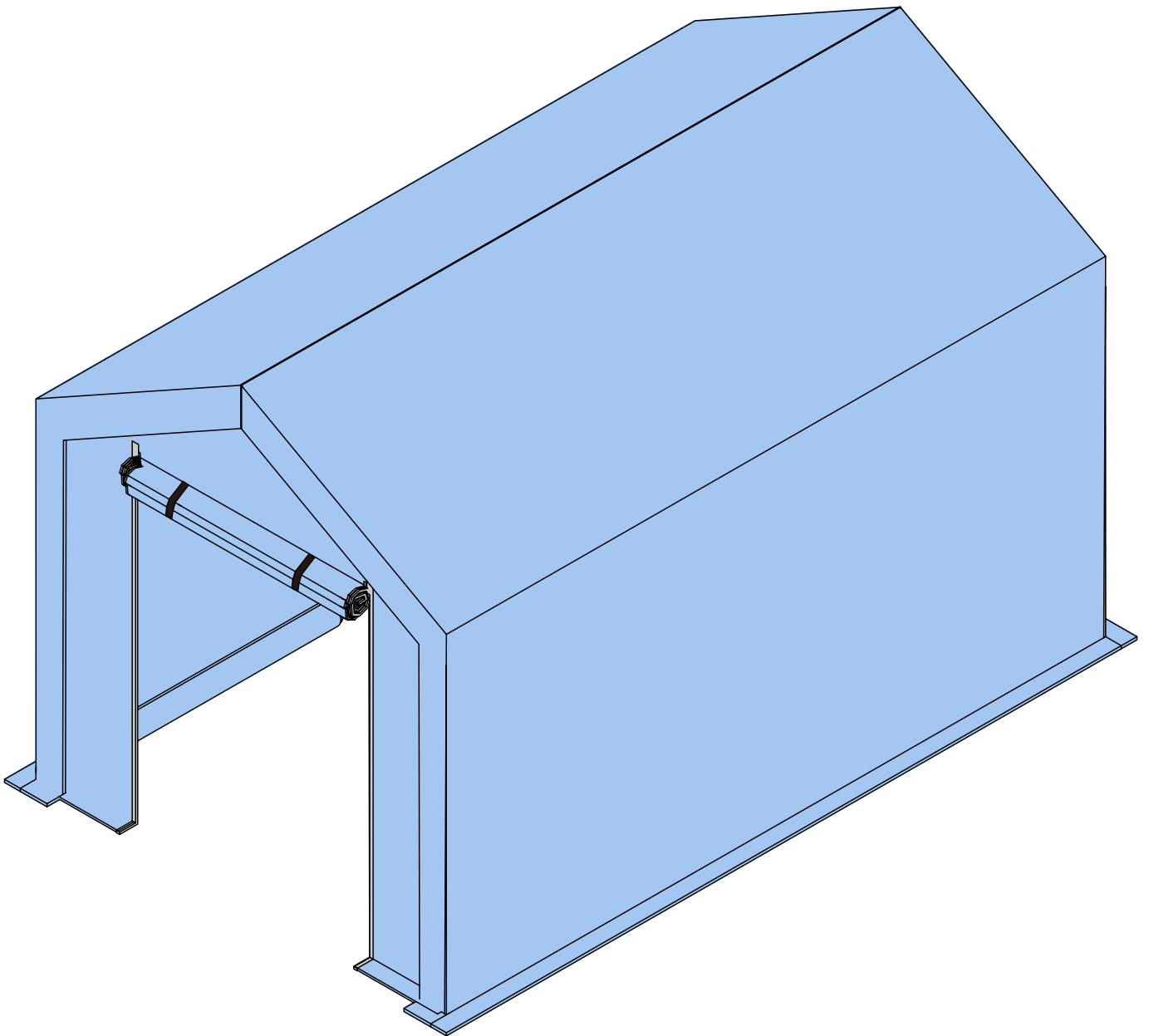
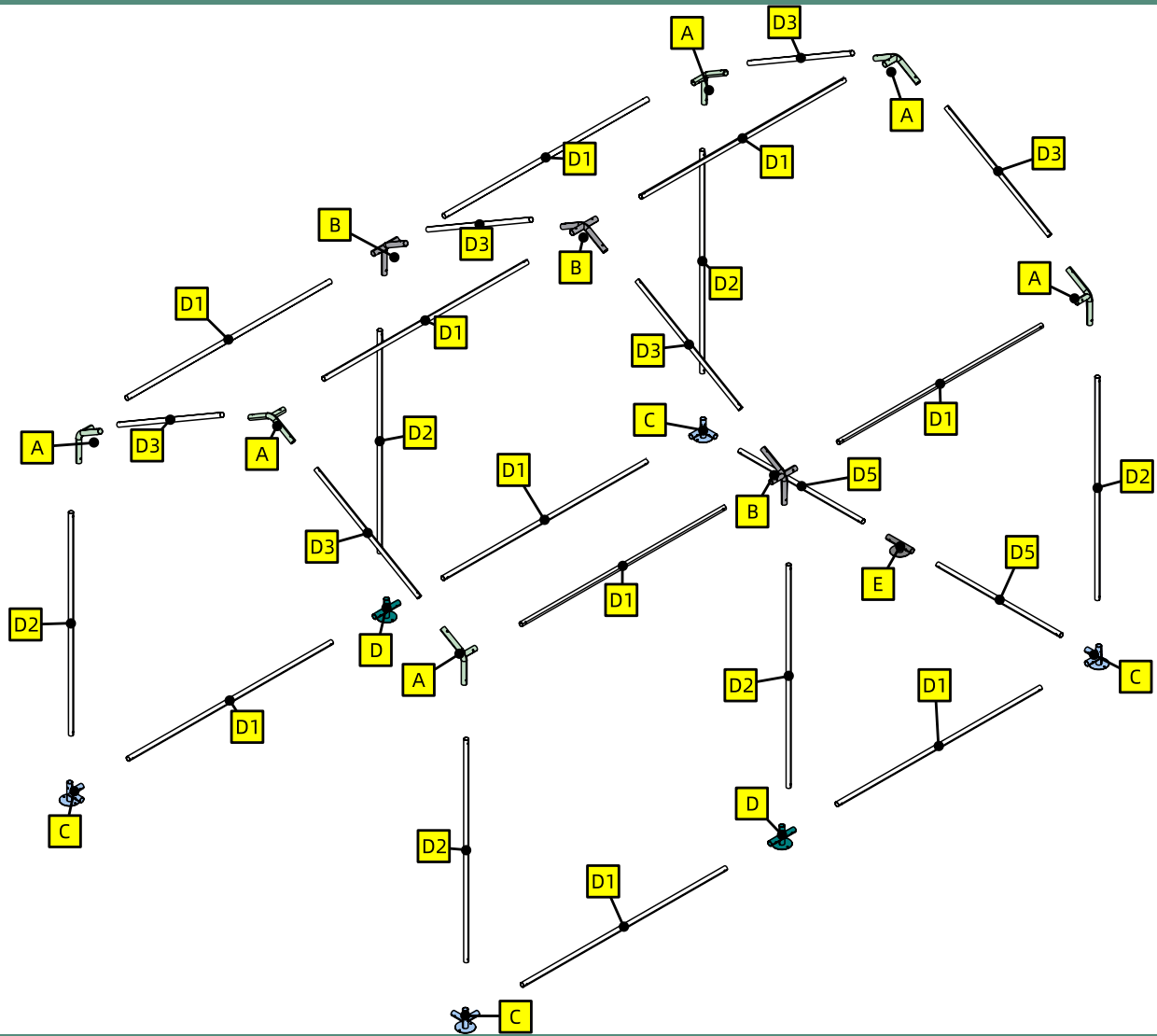


Storage Tent 10X10FT



Frame EXPLODED VIEW



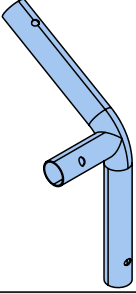
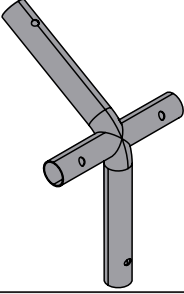
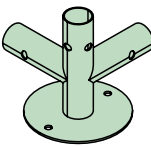
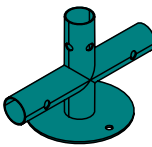
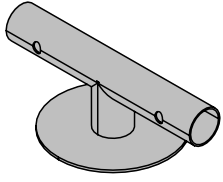

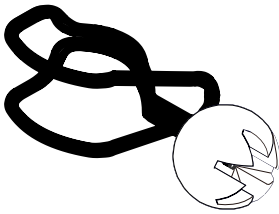
SAFETY

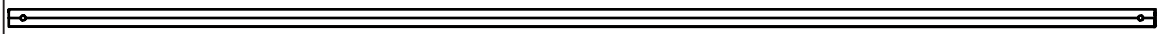

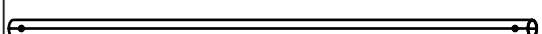
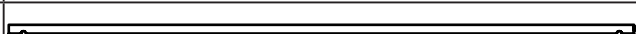
- Read all the safety information and instructions.
- Make sure you have all the parts before the assembling
- Do not assemble the canopy on a stormy day. It will be damaged.
- Always wear work gloves, long sleeves, and safety goggles when assembling.
- Keep children and pets away from the assembly site.
- When using a ladder, make sure the ground is stable enough to hold the ladder.
- Do not store pool chemicals inside the canopy.
- Combustible and corrosive materials must be stored in watertight containers.
- Remove snow from the roof after each snowfall.
- Do not walk on the roof, even if you can.

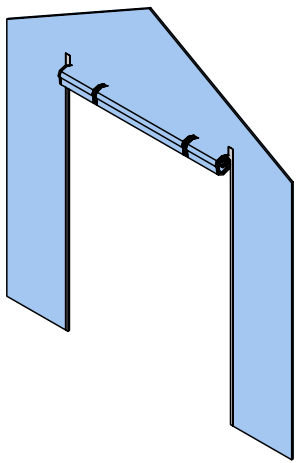
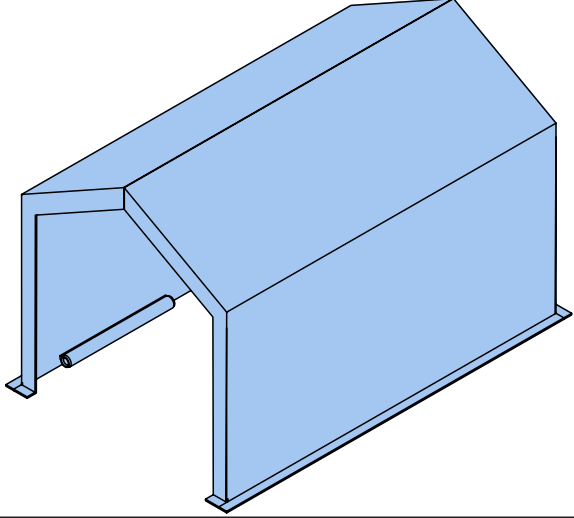
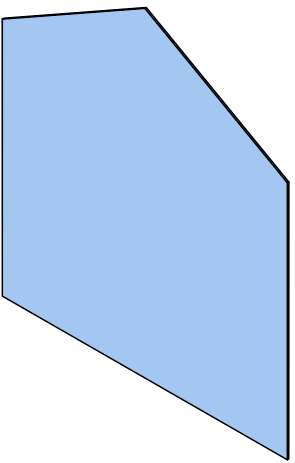
TOOLS




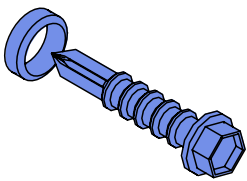
PART LIST

				
A x 6	B x 3	C x 4	D x 2	E x 1
				
M x 6		O x 31		

D1 x 10	
D2 x 6	
D3 x 6	
D5 x 2	

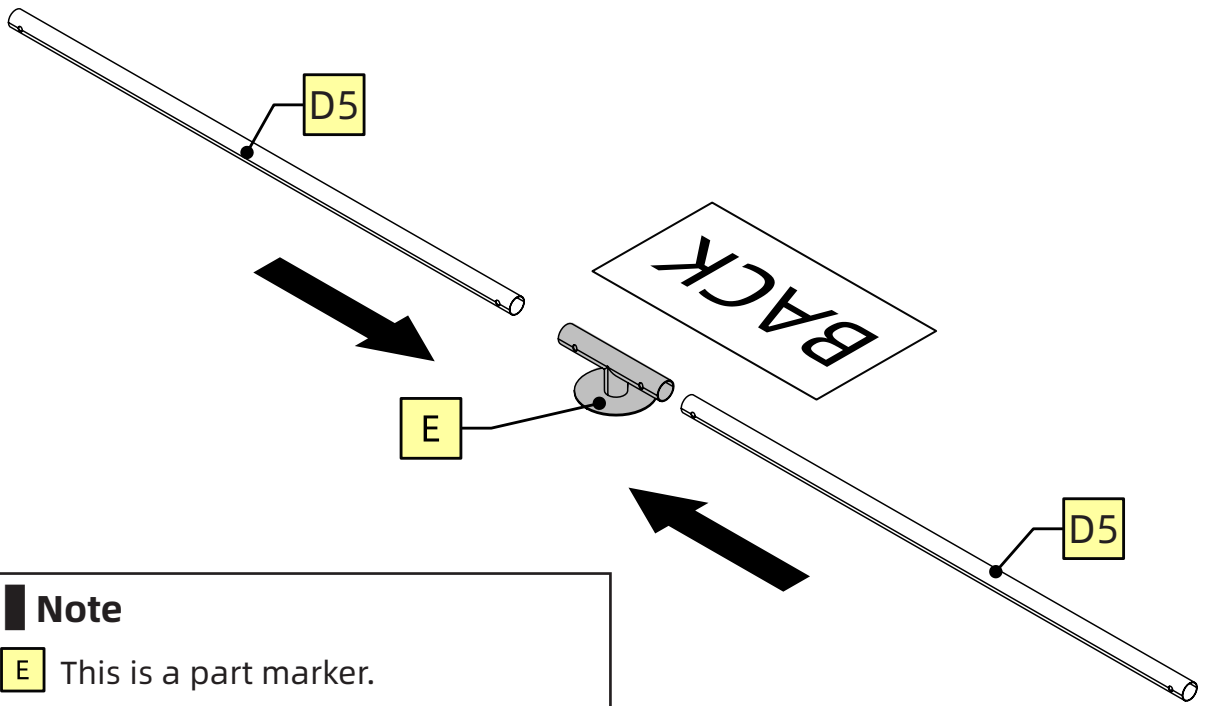
		
J1	J2	J3

Optional

	
L x 4	Y x 8

1

Part	Qty
D5	2
E	1

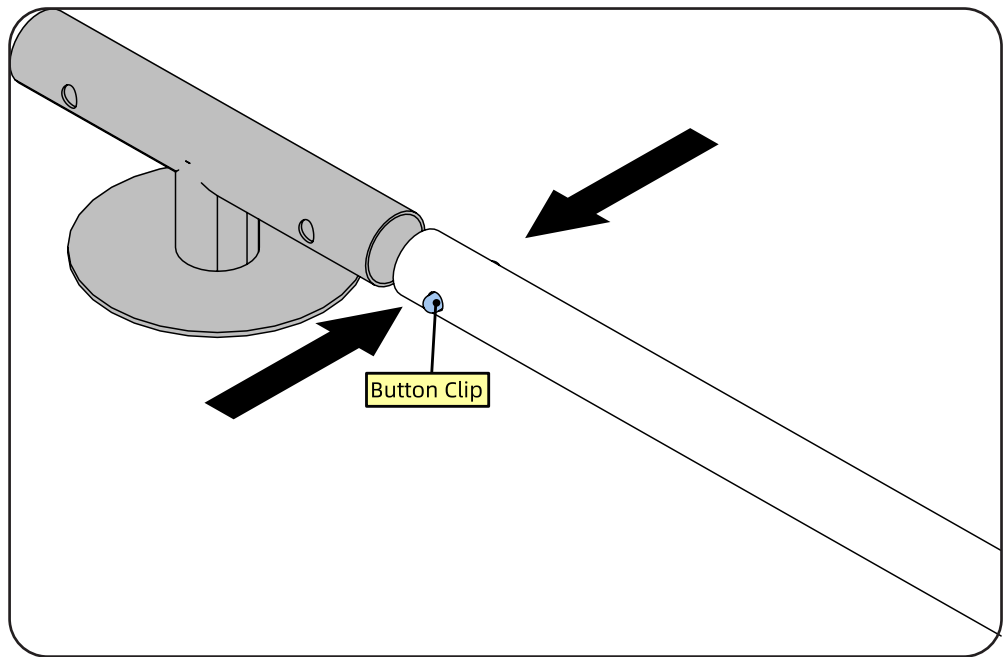


Note

E This is a part marker.

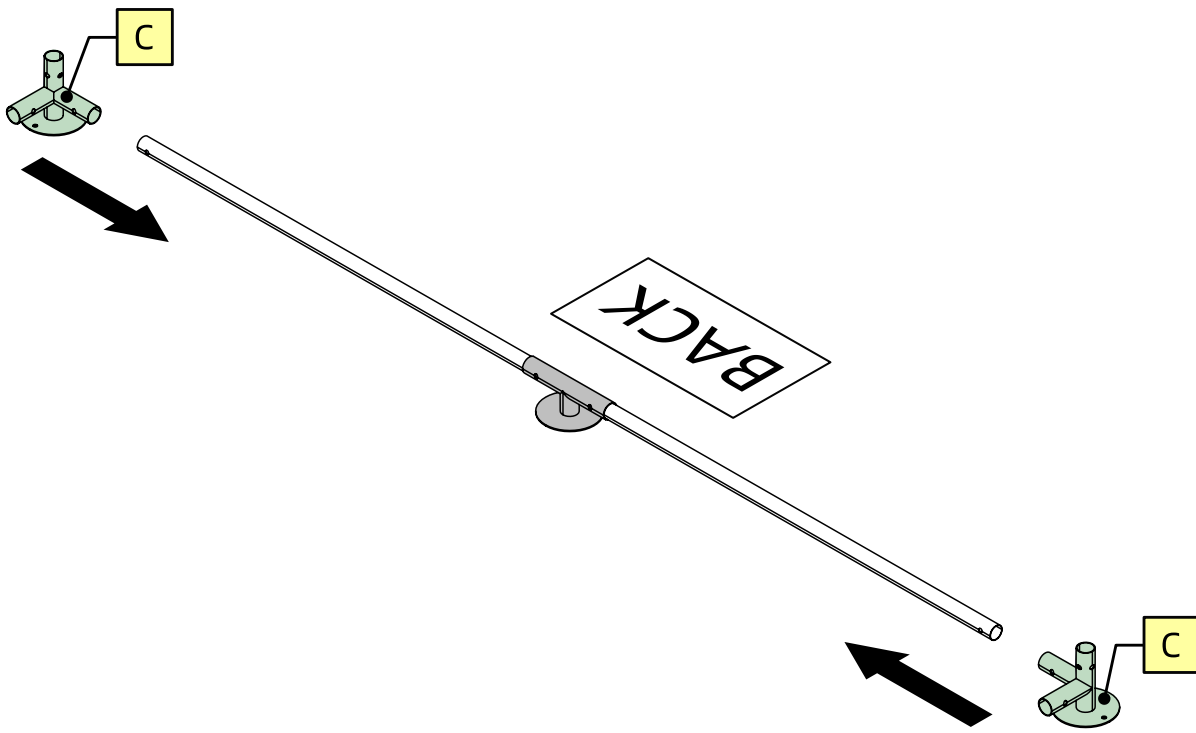
1 This is a step marker.

BACK This is an orientation marker.

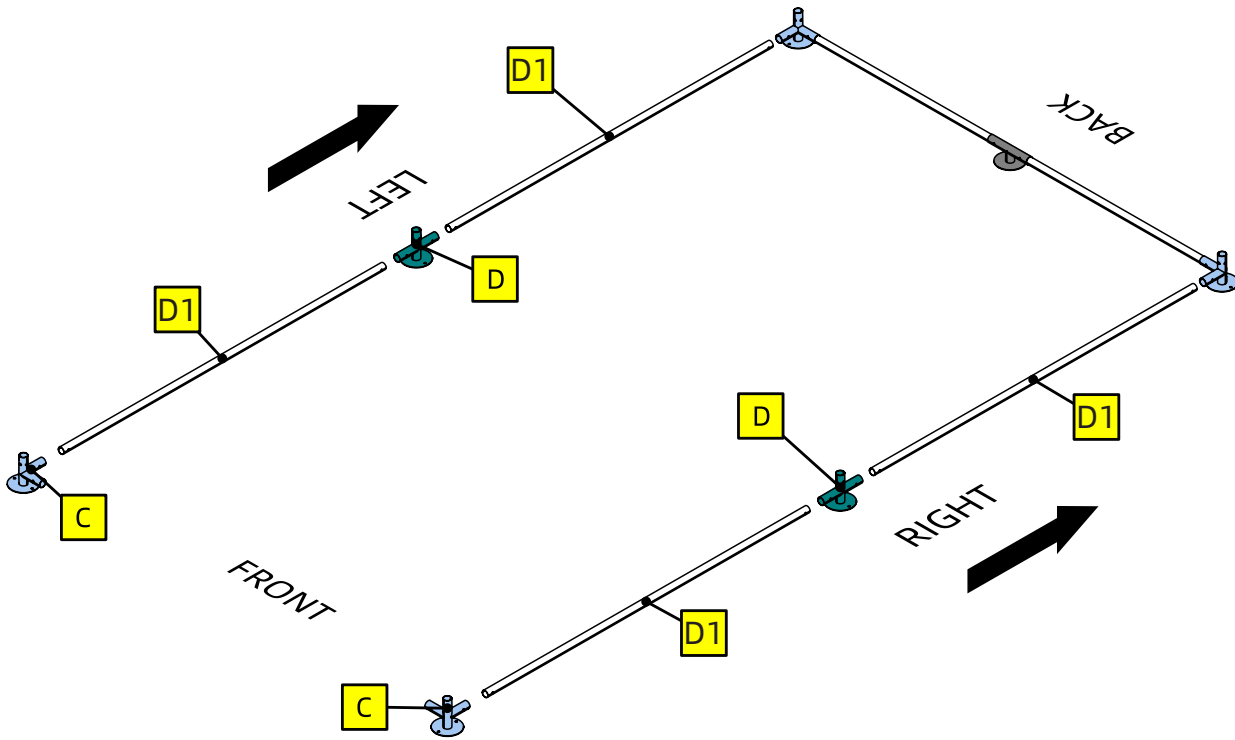


Note

For this product, tubes and joints are connected using button clips. Button clips are already inserted inside tubes. When connecting, push the button clip and insert tubes into joints. Forcing the tubes into joints might also work but you are risking damaging the Clip.



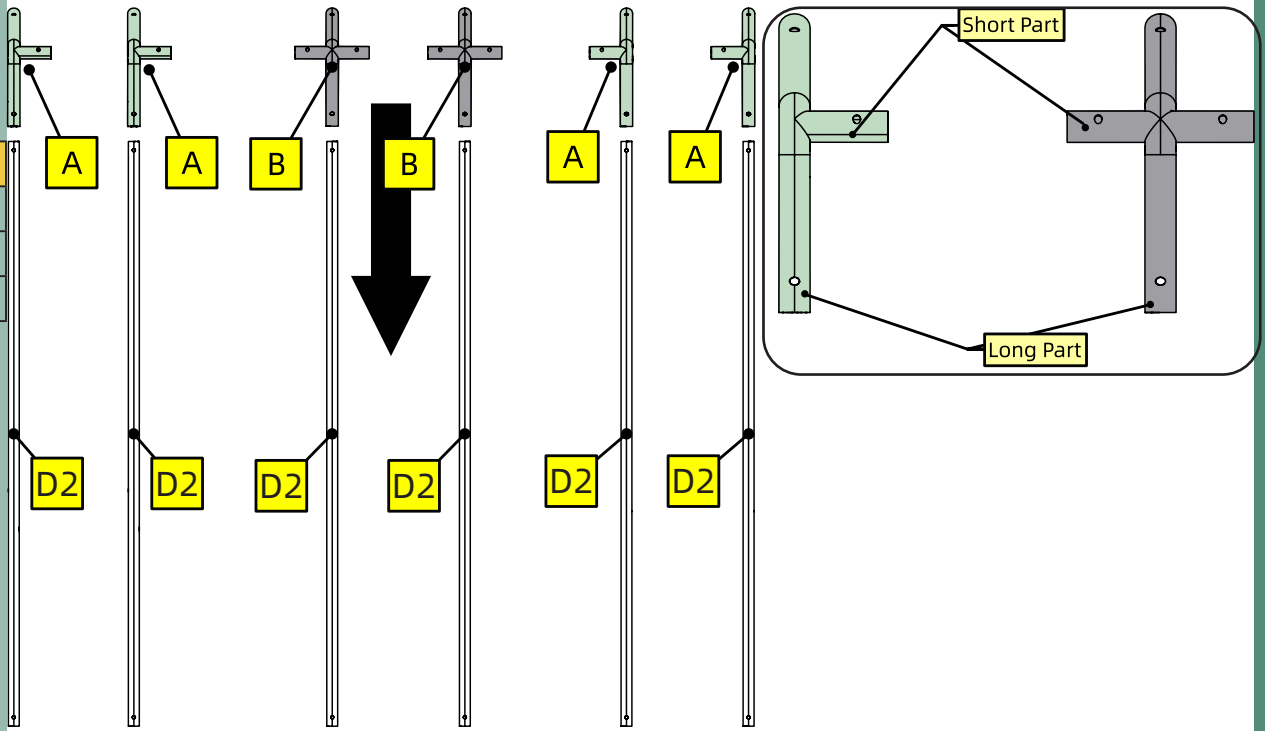
Part	Qty
C	2



Part	Qty
D1	4
C	2
D	2

4

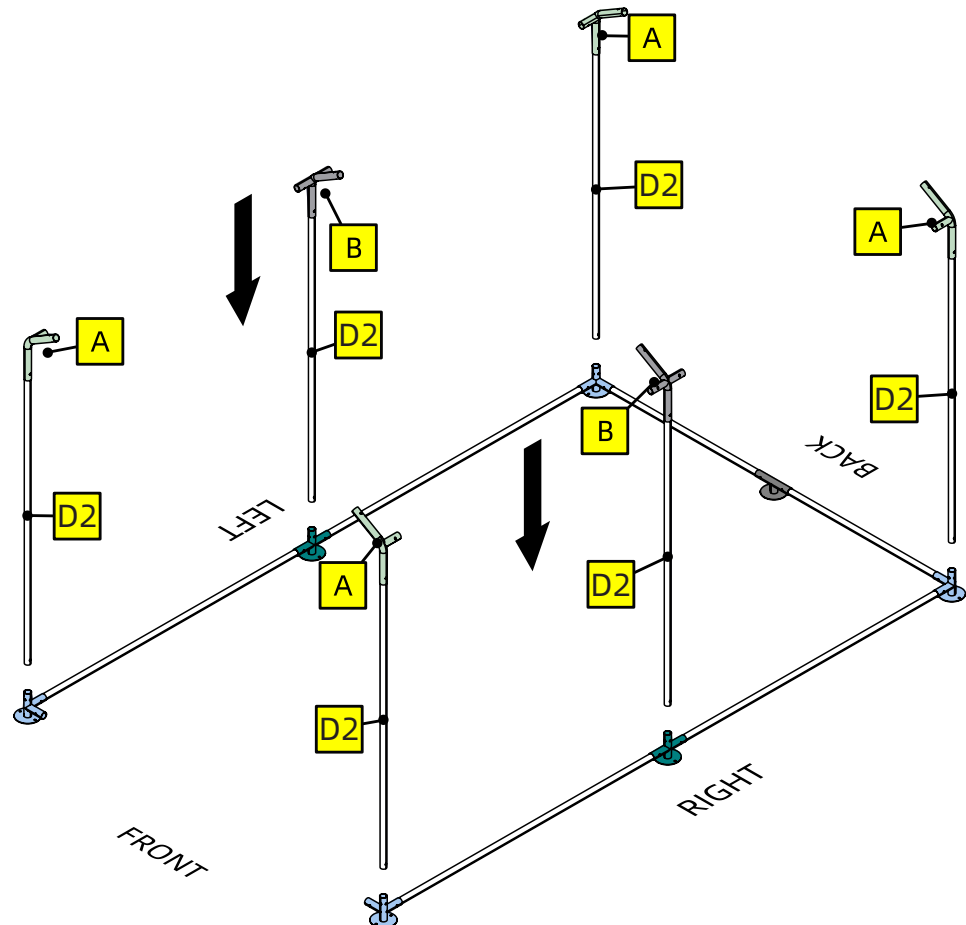
Part	Qty
A	4
B	2
D2	6

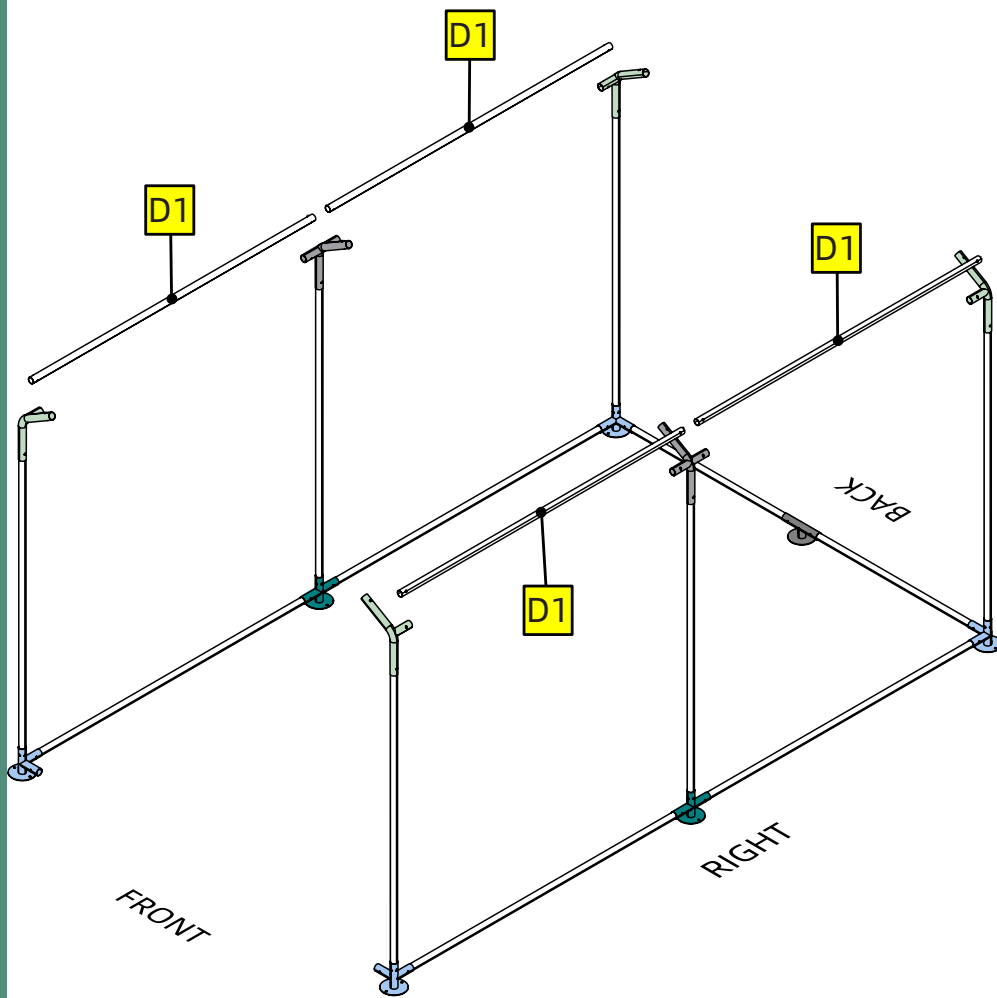


Note

A and B have long part and short part. For this step, connect D2 to A and B via the long part. Also, notice that the four A are positioned differently.

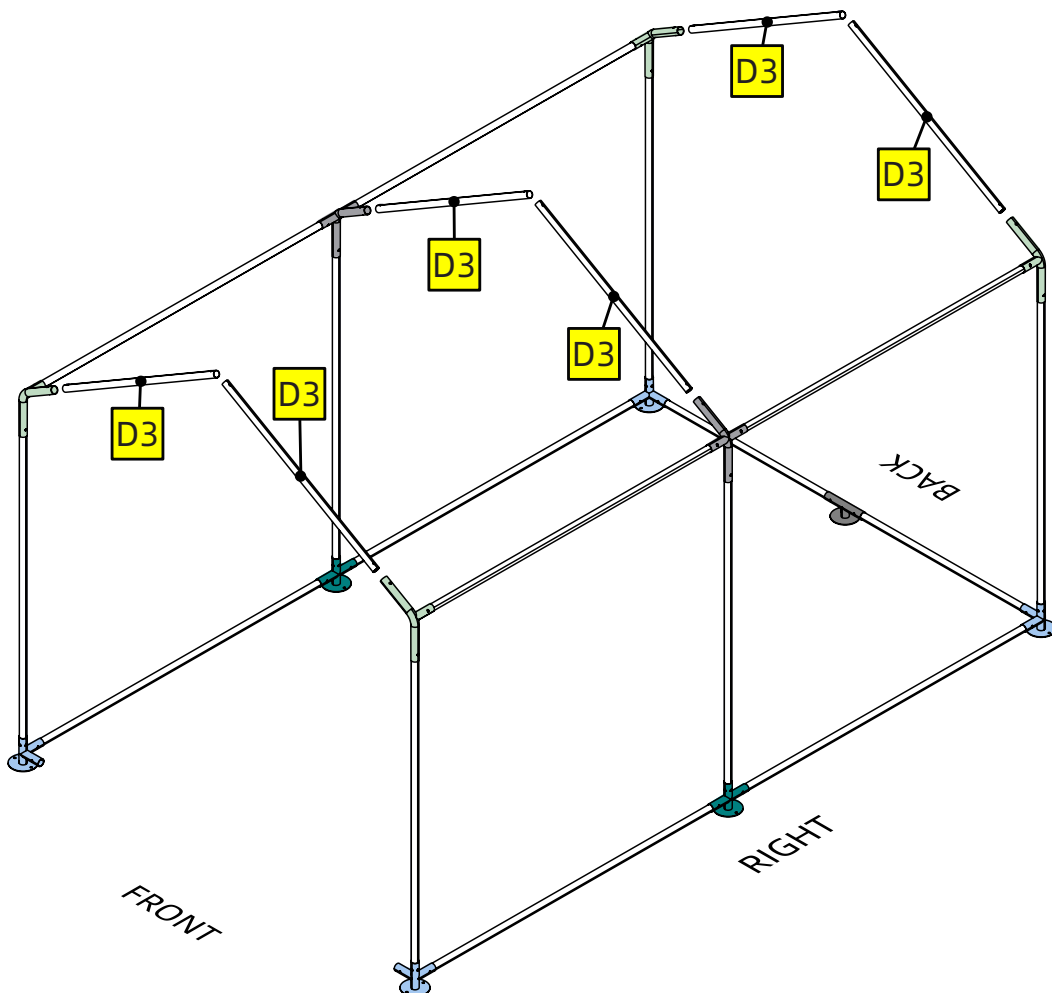
5



**Note**

If you have problem inserting D1 to A and B, temporarily remove the two B in the middle.

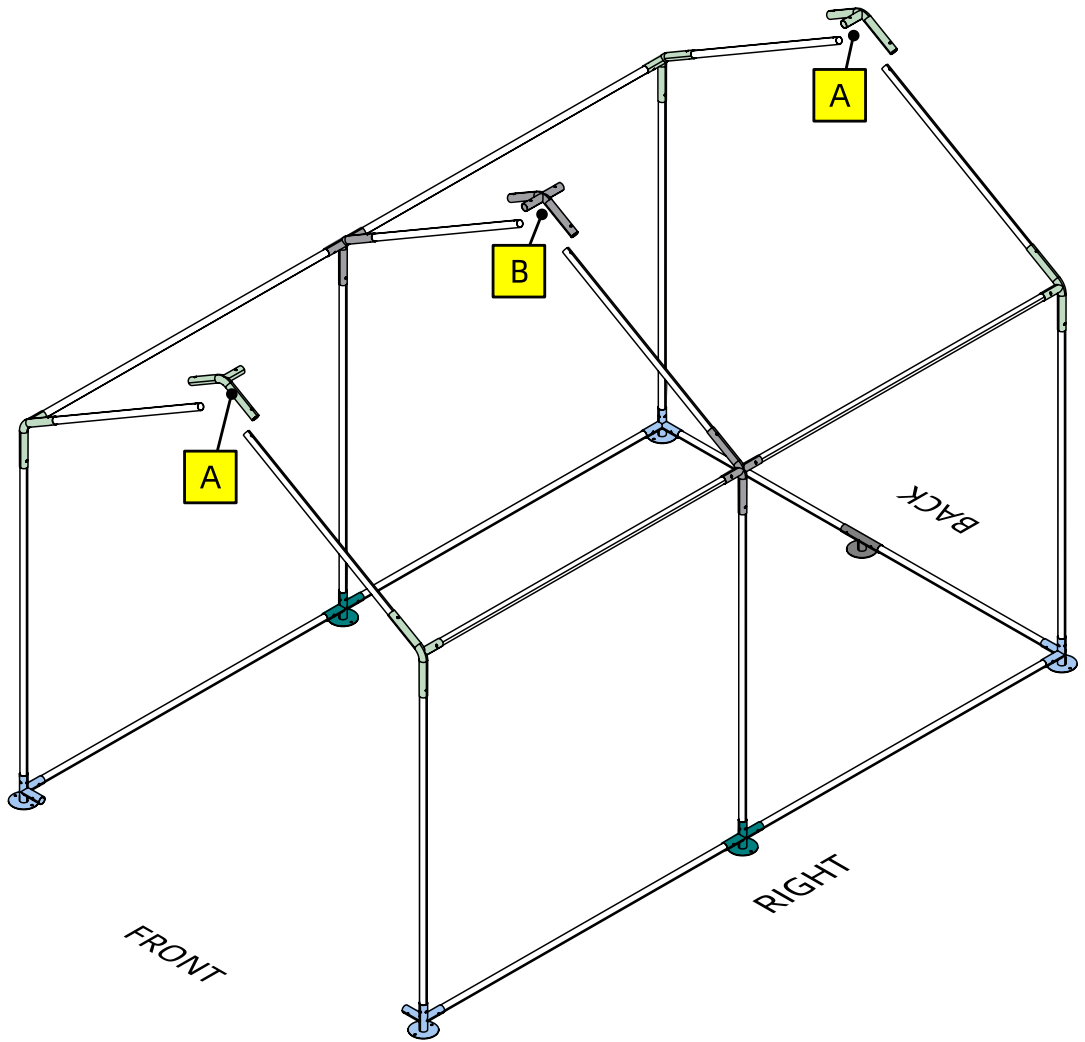
Part	Qty
D1	4



Part	Qty
D3	6

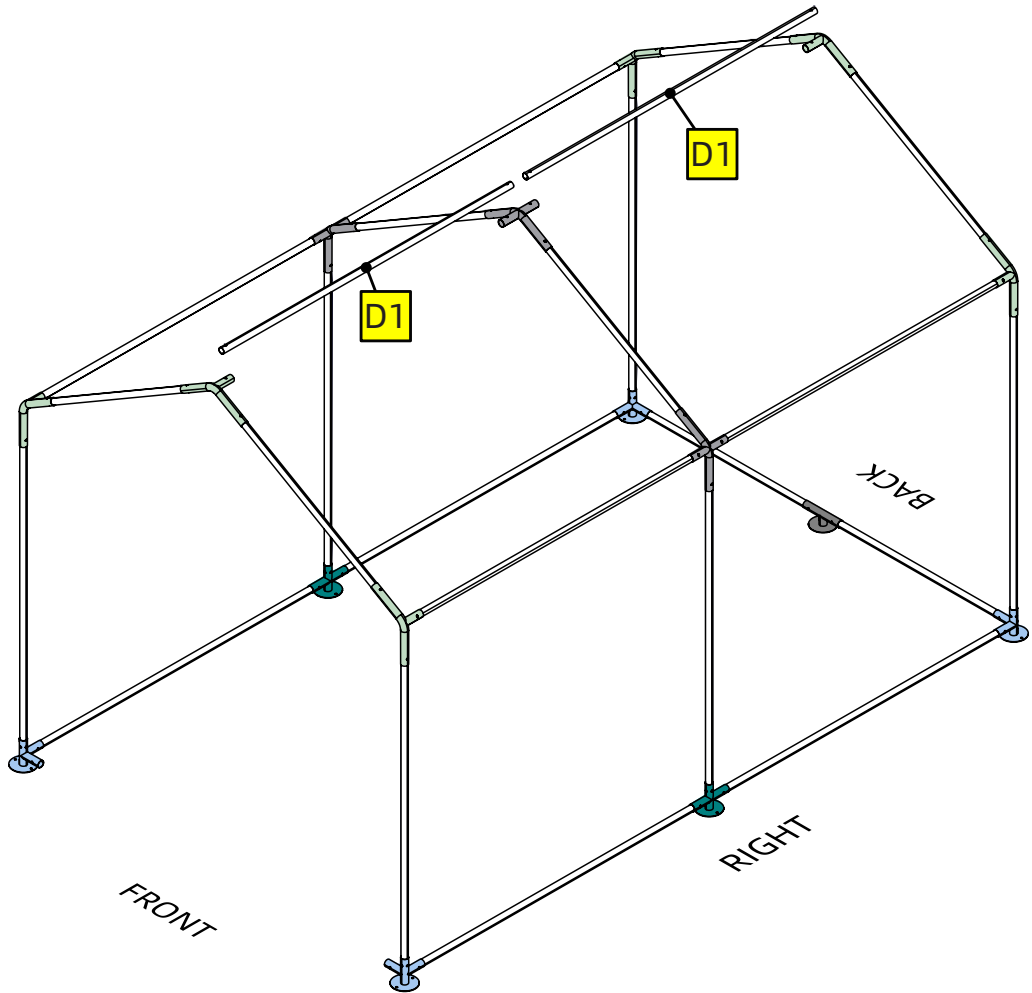
8

Part	Qty
A	2
B	1

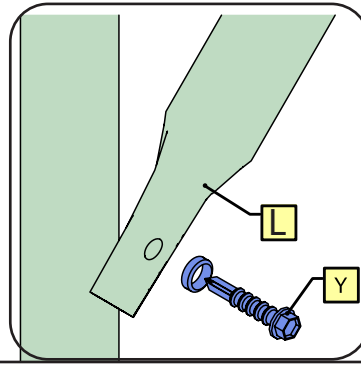
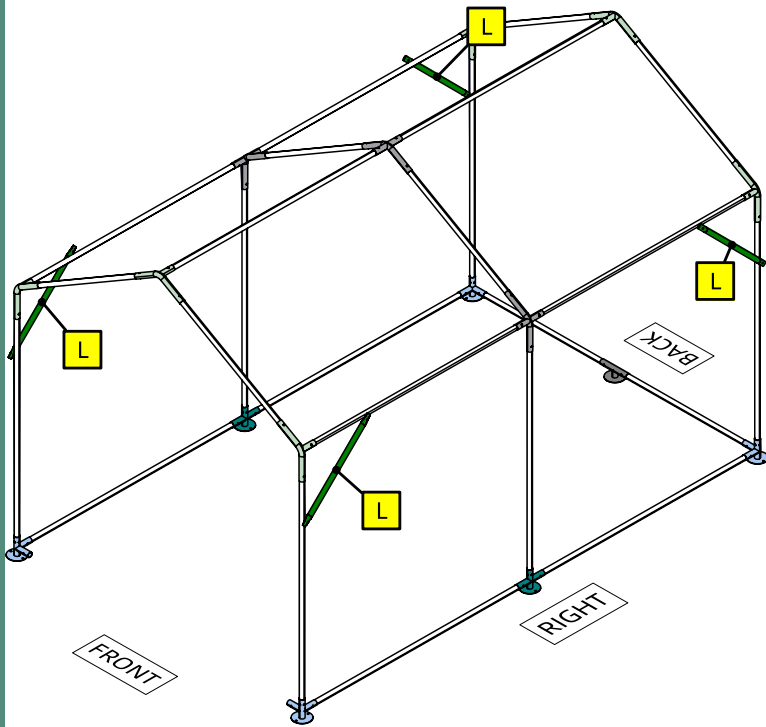


9

Part	Qty
D1	2

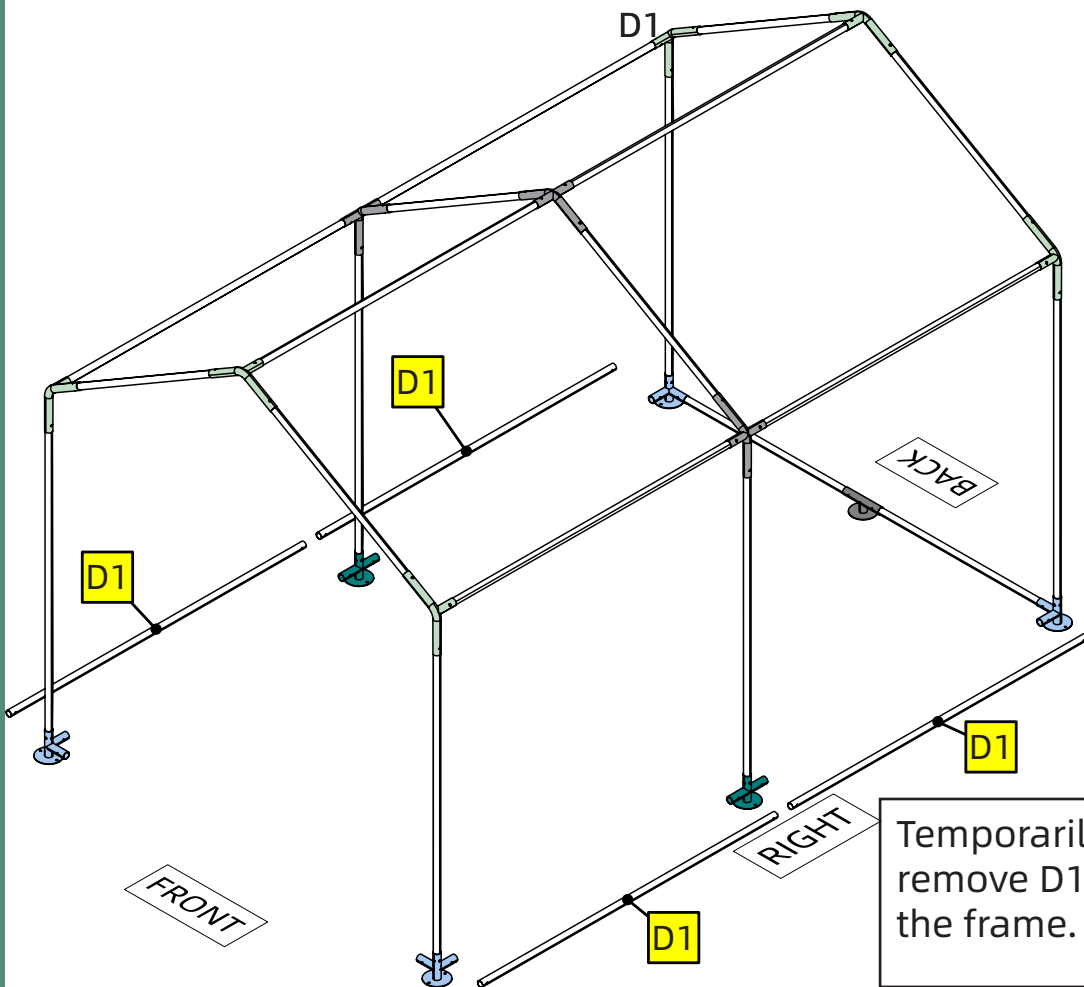


Optional Step



Part	Qty
L	4
Y	8

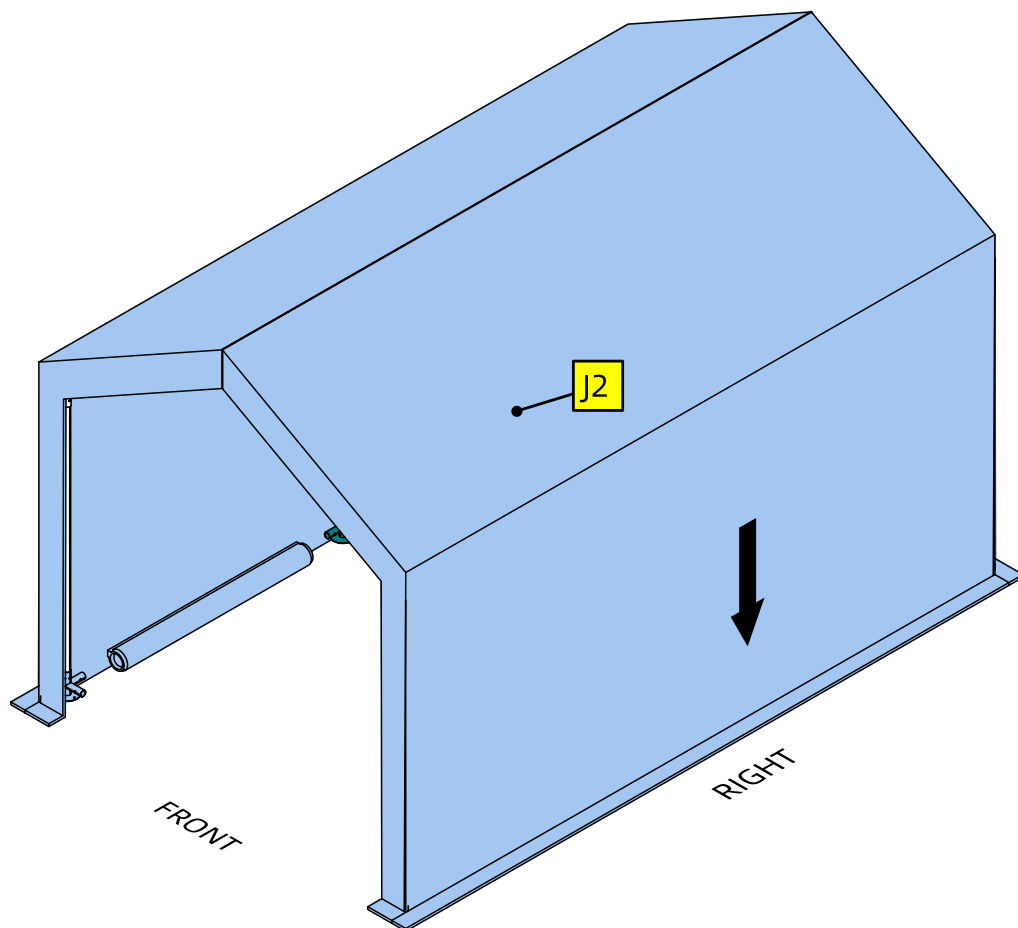
Note
At the *behest* of one of our distributors, four braces were added. But according to our test, these braces do not contribute to the stability of the frame. So it's up to you to decide whether you want to use them or not.
Use a power tool to drill the screws into the tubes. There are no predrilled holes on the tubes.



Temporarily remove D1 from the frame.

11

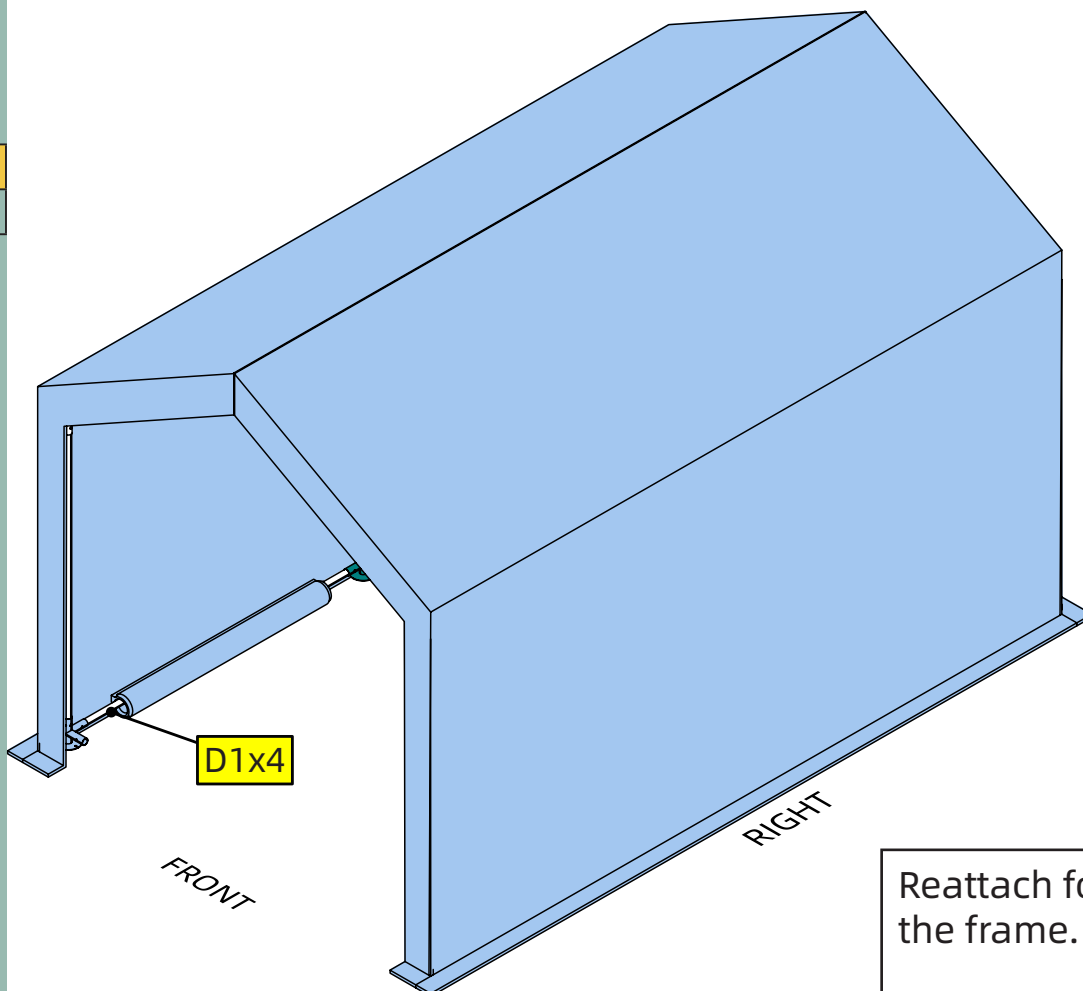
Part	Qty
J2	1



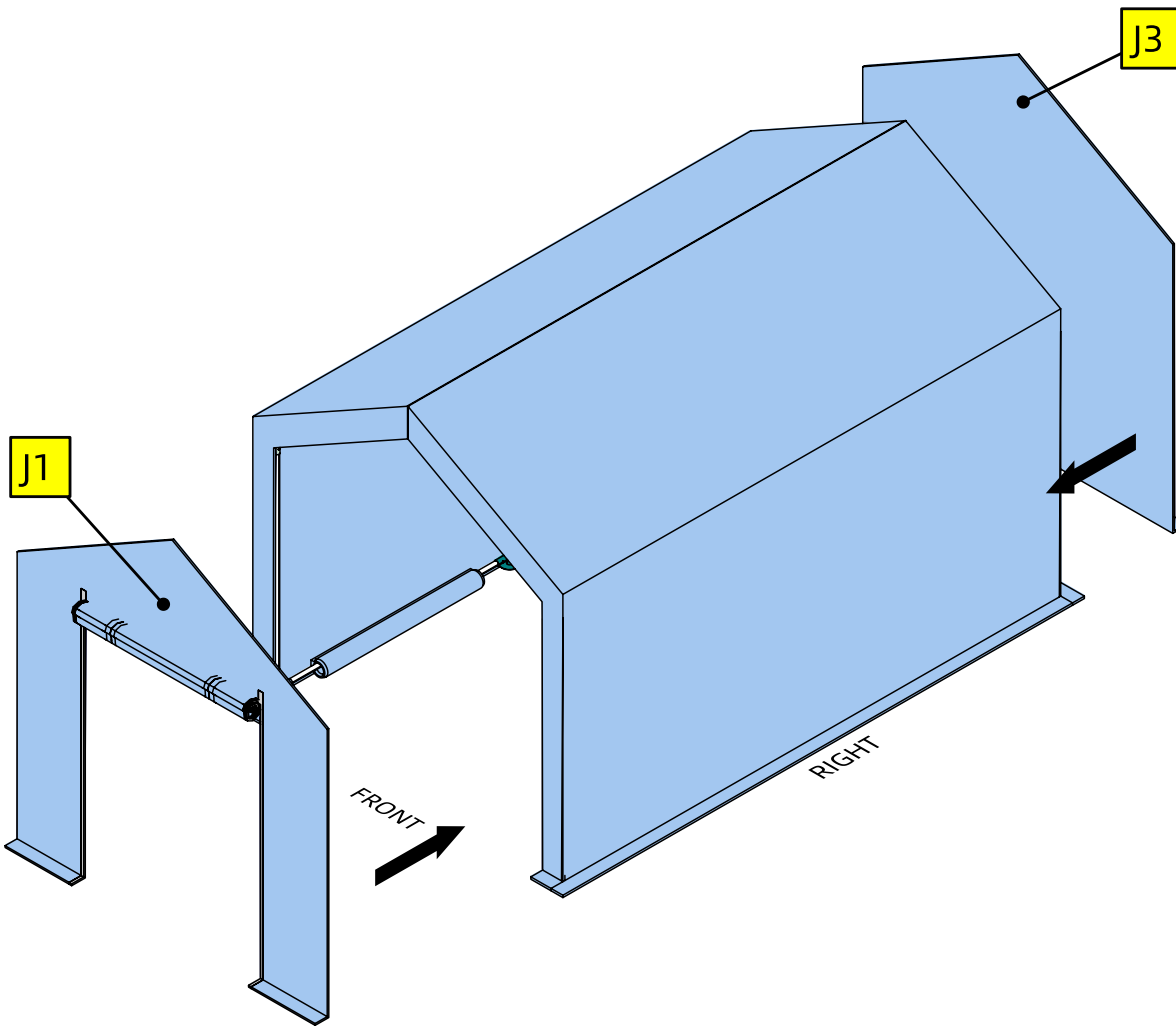
J2 has no front or back. It is symmetrical.

12

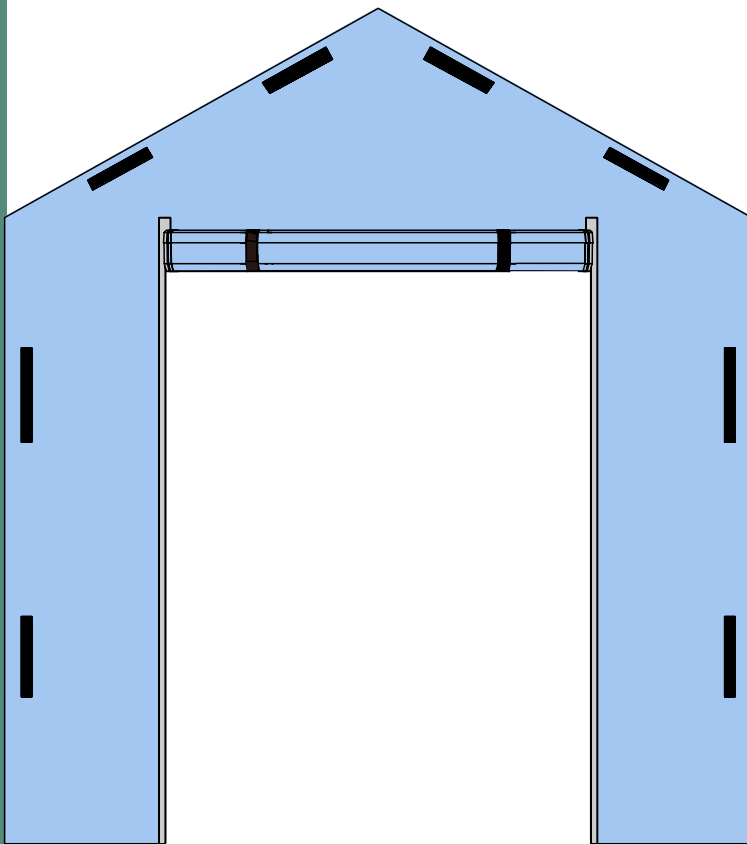
Part	Qty
D1	4



Reattach four D1 to the frame.



Part	Qty
J1	1
J2	1

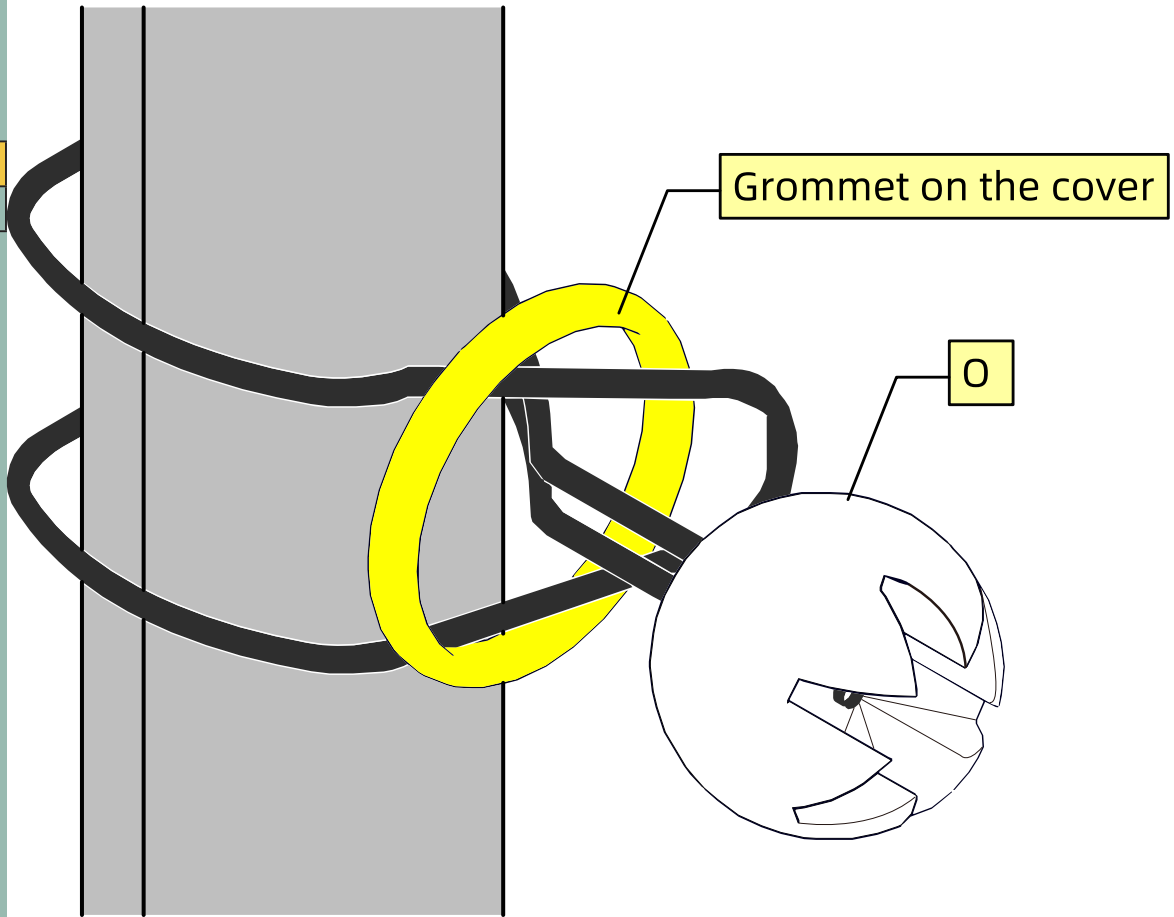


Note

J1 and J3 are placed inside J2.
 There are eight Velcro loops on J1 and J3 each. And there are 16 corresponding Velcro hooks on J2. Connect J1/J3 to J2 using the Velcro tapes.

14

Part	Qty
O	29



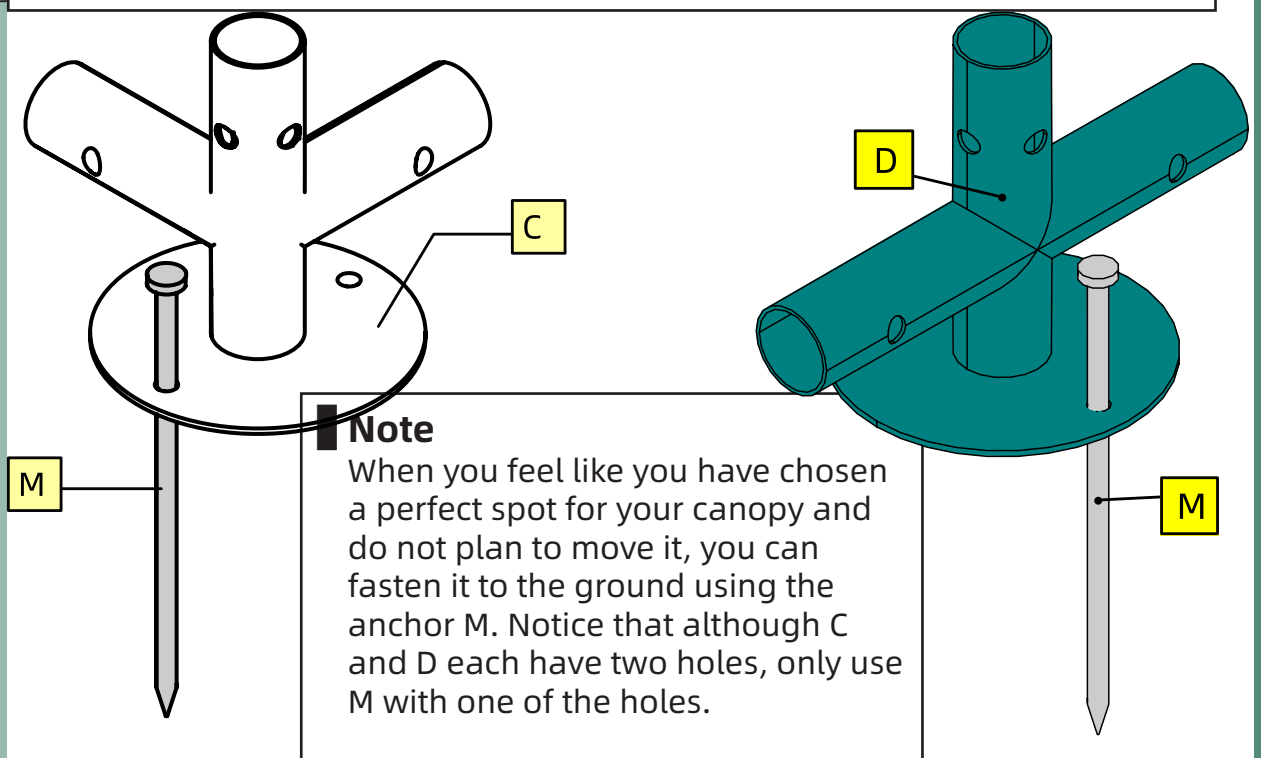
Note

Where there is a tube, there is a corresponding grommet on the cover. Use the bungee cord to fasten the covers to the tubes.

Notice that, at the front and back where the front/back cover and the middle cover are connected by Velcro tapes, two grommets, one from the front/back cover, and one from the middle cover, are sitting next to each other. Use the bungee cord to go through the two grommet at once and fasten the two covers to the tubes. There are nine at the front and nine at the back of such cases.

15

Part	Qty
M	6



Note

When you feel like you have chosen a perfect spot for your canopy and do not plan to move it, you can fasten it to the ground using the anchor M. Notice that although C and D each have two holes, only use M with one of the holes.