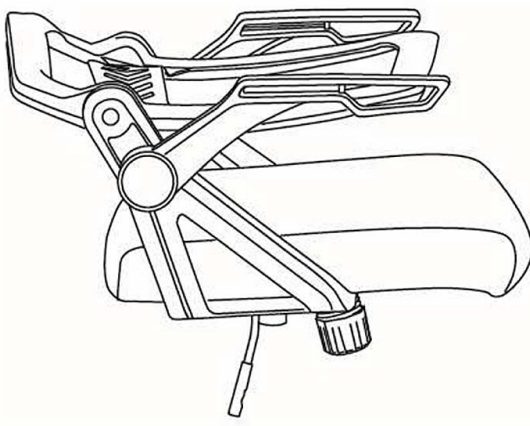
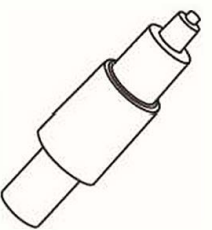

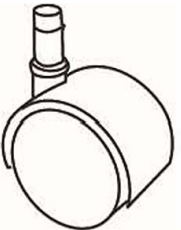


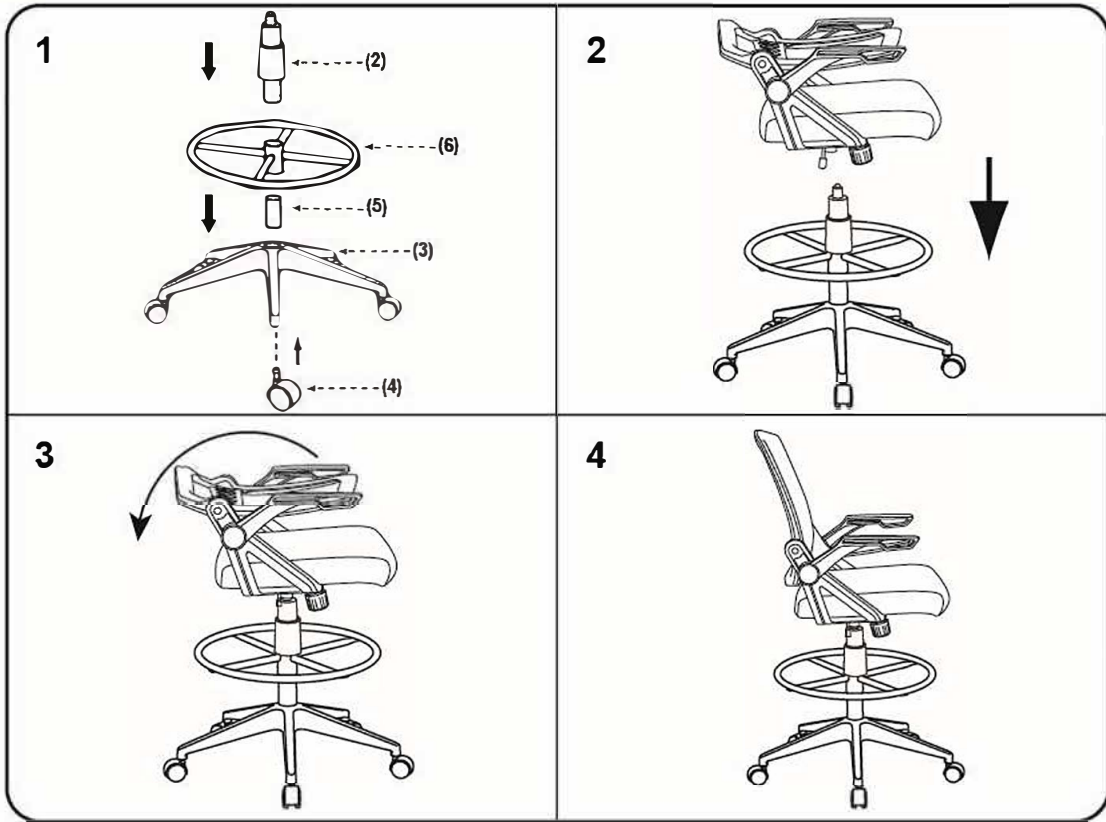


(1)x1		
		
(2)x1	(3)x1	(4)x5
		
GAS LIFT W/ COVER	BASE	CASTER
(5)x1	(6)x1	
		
EXT		



Insert and loosely tighten all screws. When assembly is completed, fully tighten all screws before using. This chair is only intended for sitting. Abuse will void the warranty.

