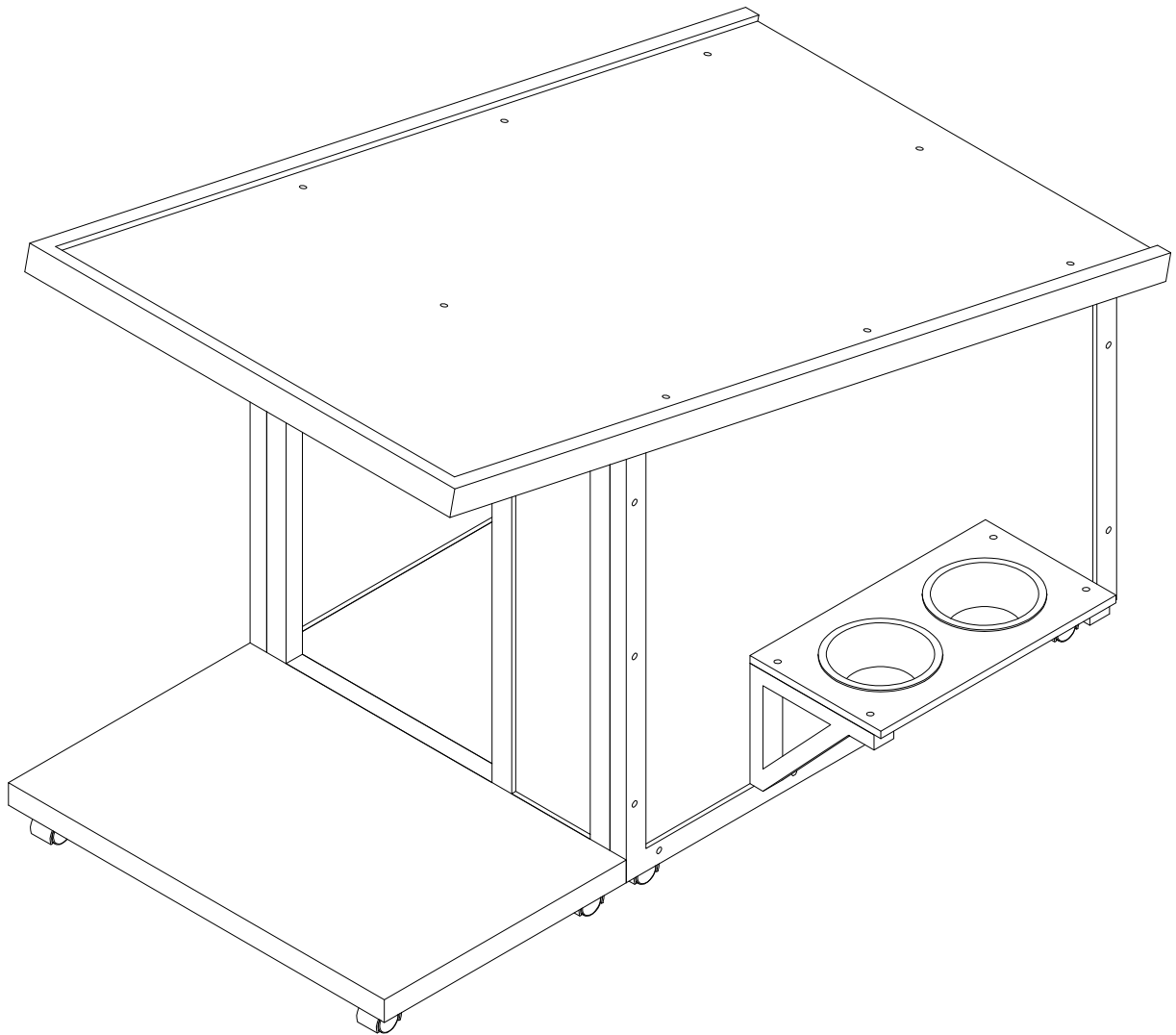
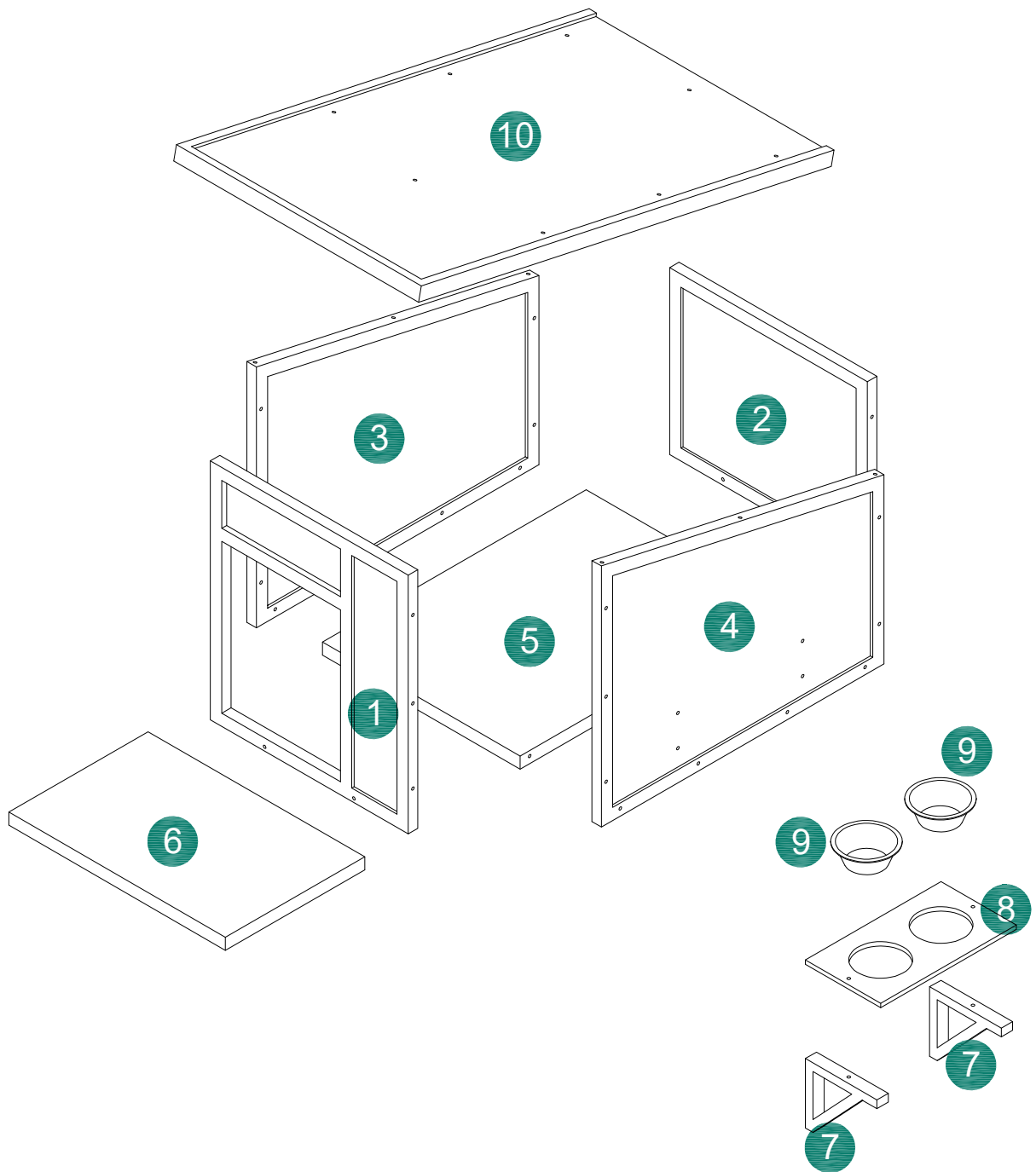


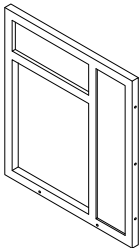
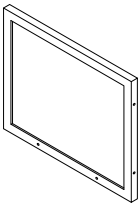
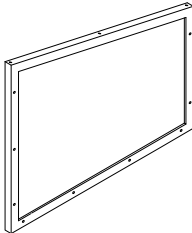
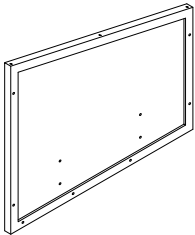
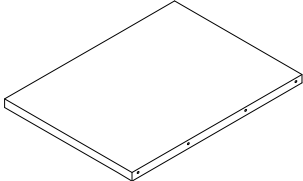
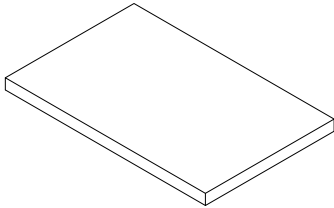
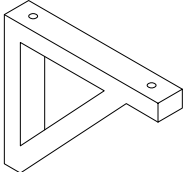
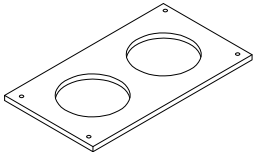
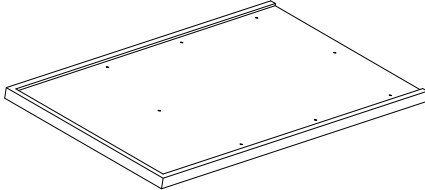
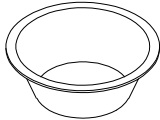
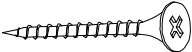
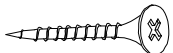



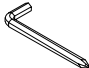
# DOG KENNEL ASSEMBLY INSTRUCTIONS

N843P252402

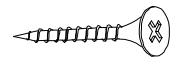
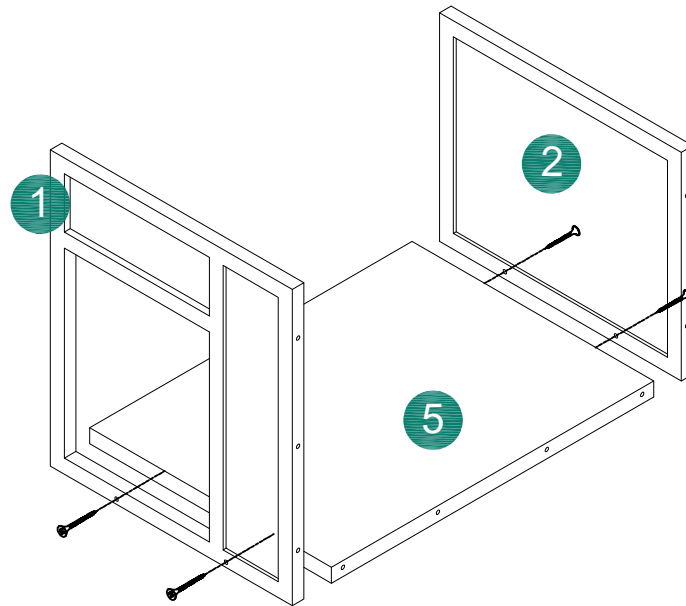




# N843P252402

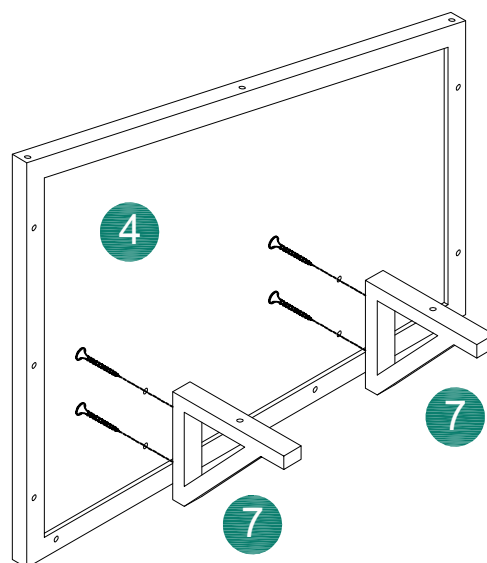
		<b>1</b> x1			<b>2</b> x1			<b>3</b> x1
		<b>4</b> x1			<b>5</b> x1			<b>6</b> x1
		<b>7</b> x2			<b>8</b> x1			<b>10</b> x1
		<b>9</b> x2						
<b>A</b>			<b>M3.5x30mm</b>				<b>25</b>	
<b>B</b>			<b>M3.5x20mm</b>				<b>16</b>	
<b>C</b>							<b>4</b>	
<b>D</b>							<b>4</b>	
								
								

# Step1



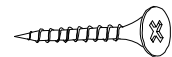
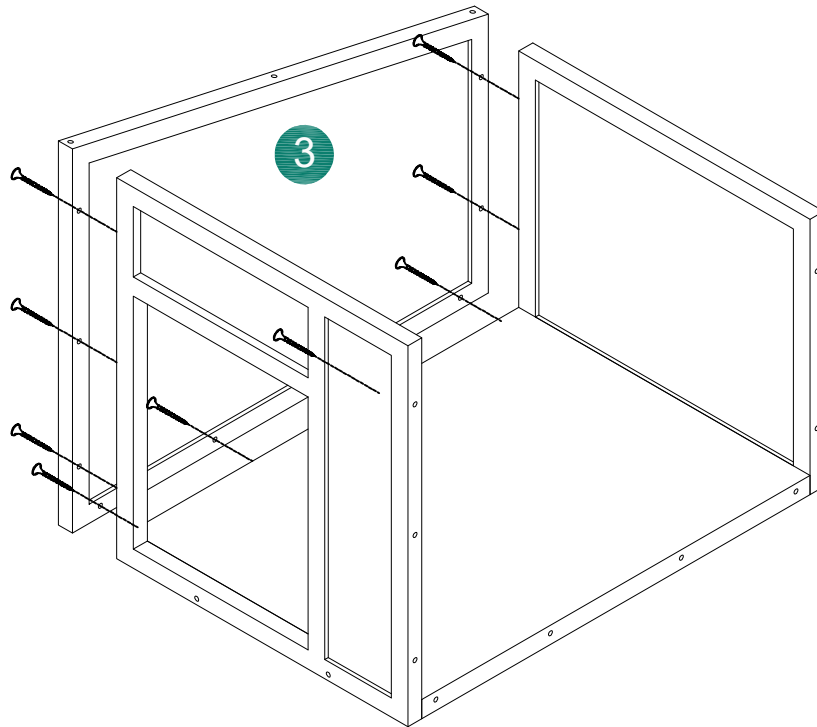
Ax4

# Step2



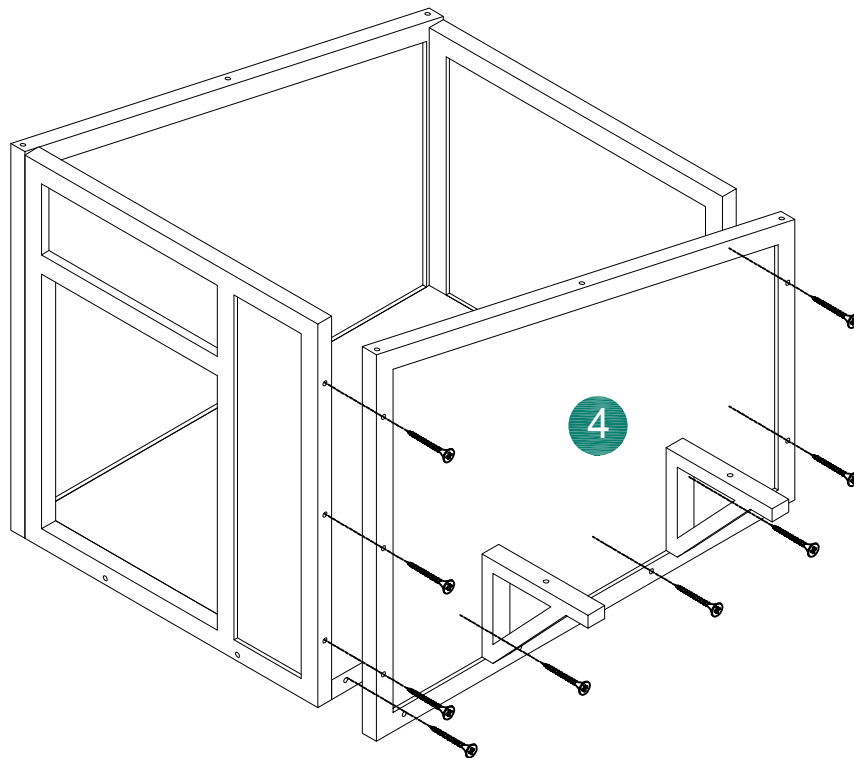
Bx4

## Step3



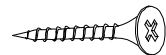
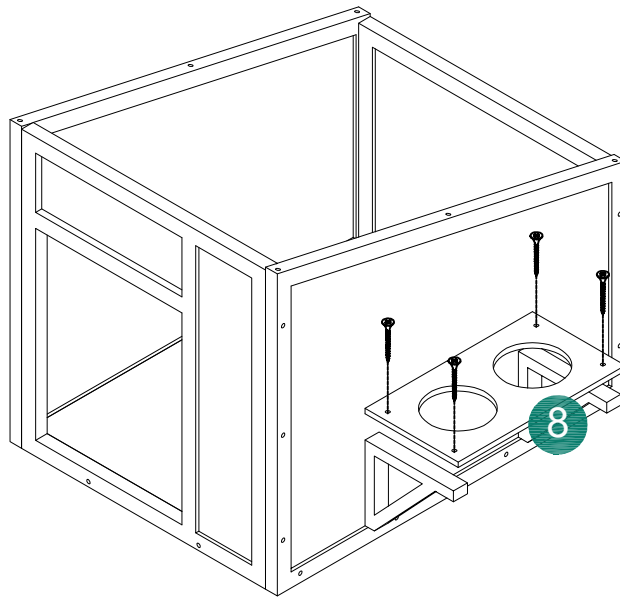
Ax9

## Step4



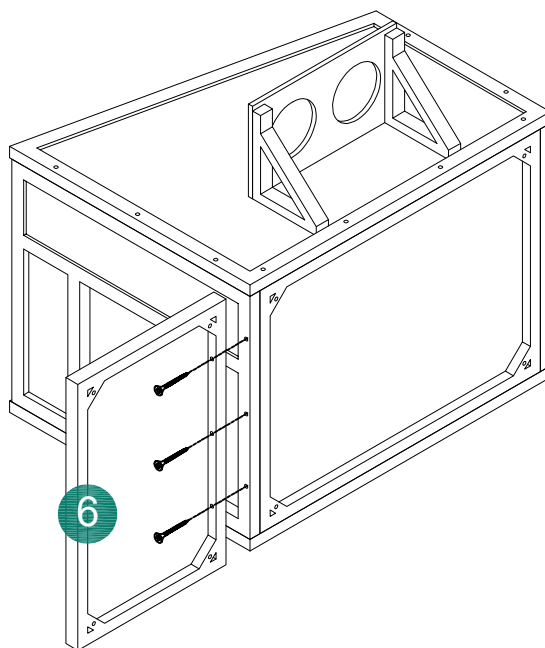
Ax9

## Step5



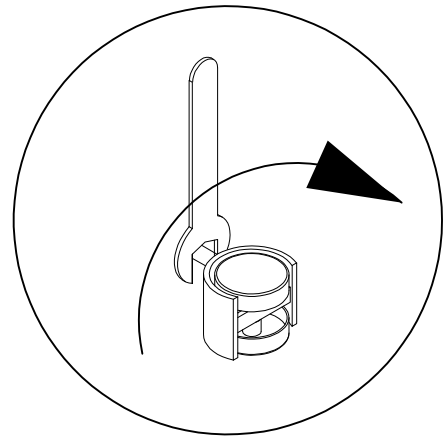
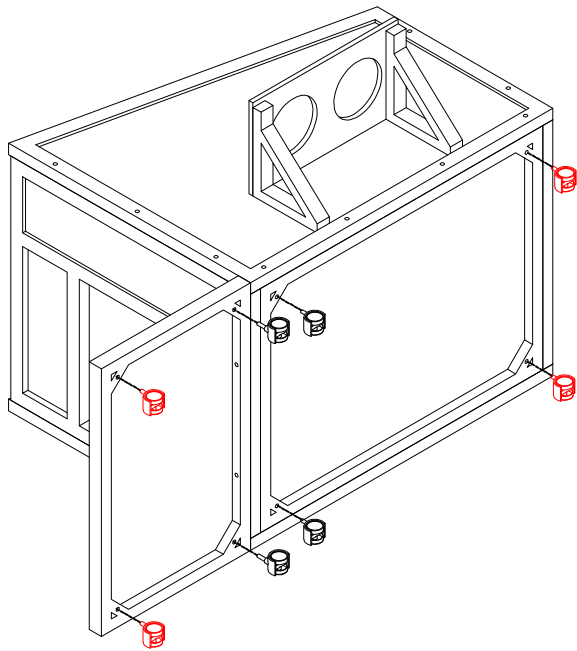
**Bx4**

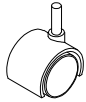
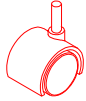
## Step6



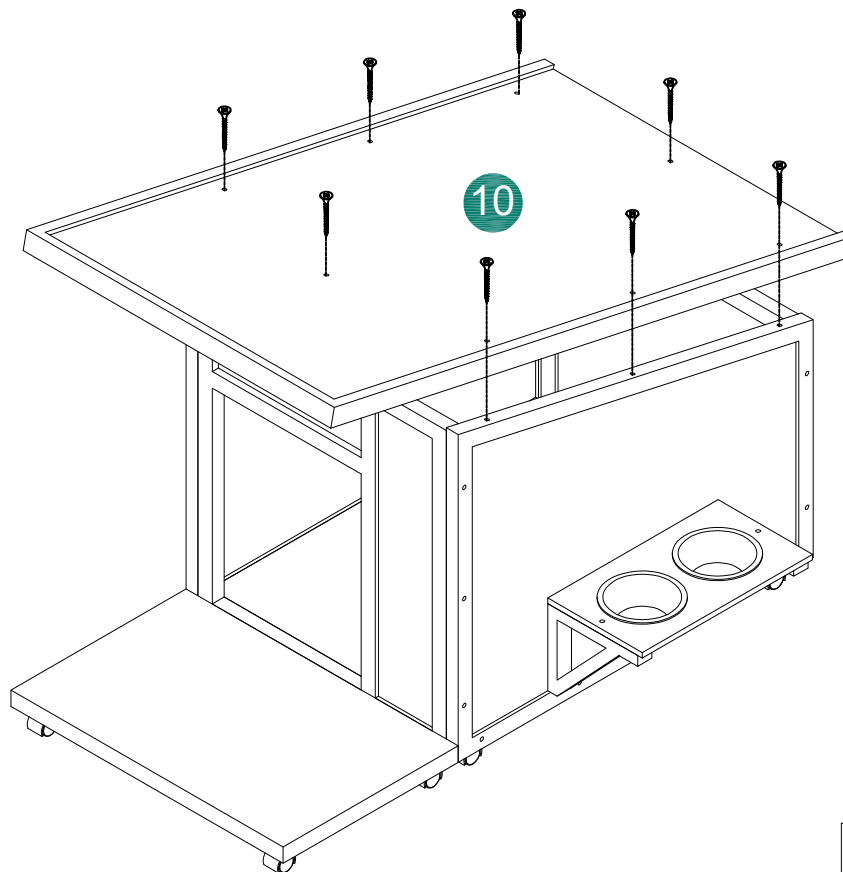
**Ax3**

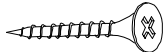
# Step7



	<b>Cx4</b>
	<b>Dx4</b>

# Step8



	<b>Bx8</b>
---	------------