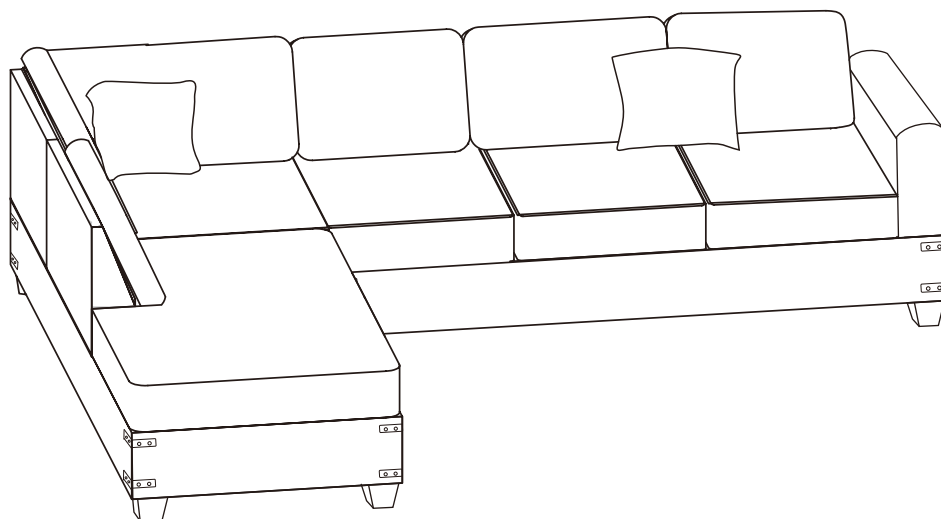


NOTICE BEFORE ASSEMBLY

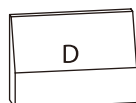
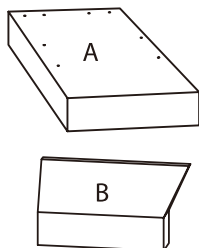
Please choose the **CHAISE** to be on the LEFT or RIGHT hand side

Assembly Instruction I :CHAISE ON THE LEFT



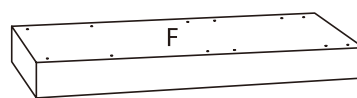
PARTS LIST

BOX-1






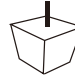


*Cushions, pillow and legs included

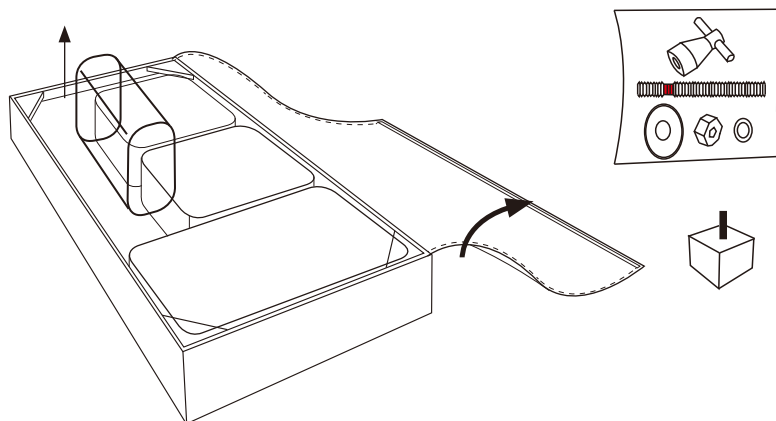
BOX-2



*Cushions, pillow and legs included

1.  x12	2.  x12	3.  x12
4.  x12	5.  x2	6.  x8

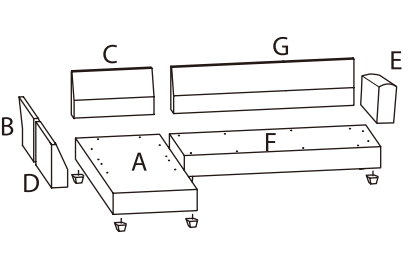
BEFORE ASSEMBLY



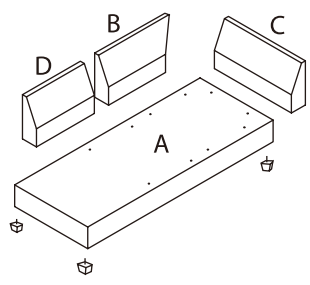
Open up the Velcro of Non-Woven Fabric cover on the bottom of the seat frame to remove seat cushions, back cushions and pillow

*****PLEASE REMOVE ALL PARTS FROM SEAT FRAMES AND SEAT BACKS BEFORE ASSEMBLY*****

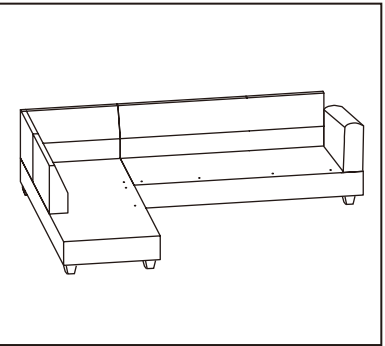
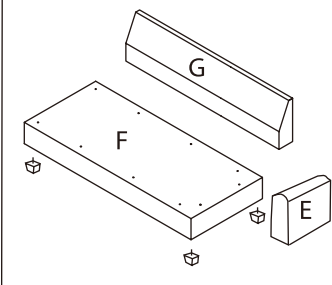
CHAISE ON THE LEFT



CHAISE - BOX 1



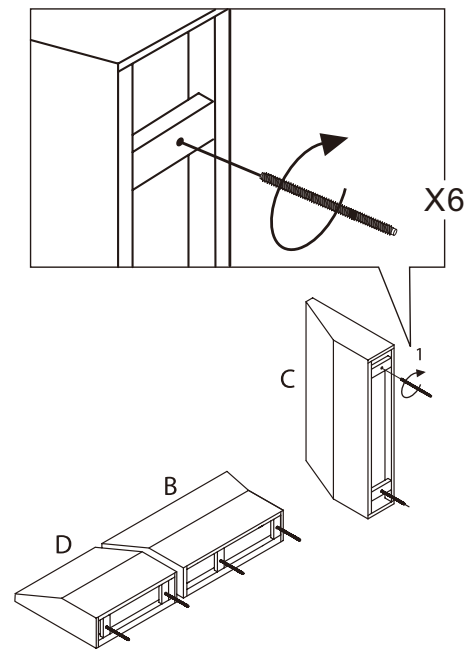
SOFA - BOX 2



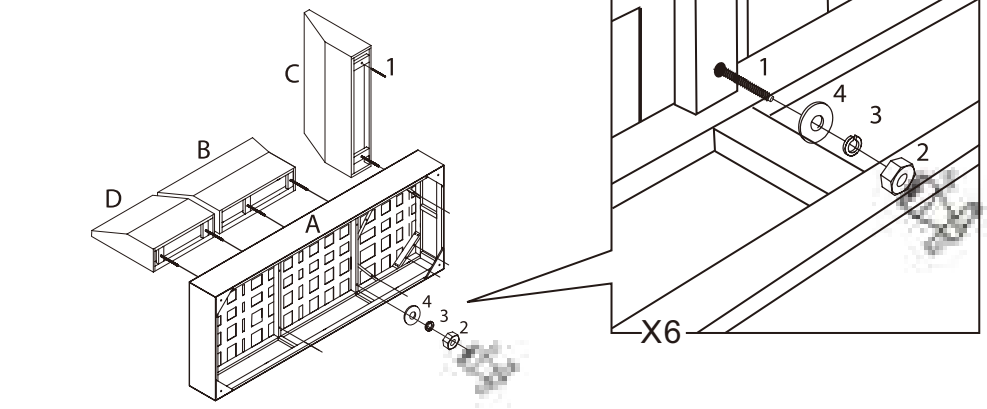
CHAISE ASSEMBLY INSTRUCTION-BOX 1

STEP 1- INSERT THREADED RODS INTO SEAT BACKS & ARM

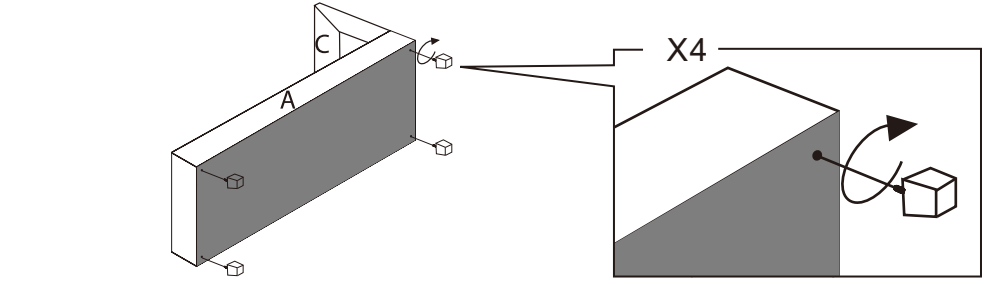
* Shorter end of the threaded screw going into the back panel.*



STEP 2- MOUNT SEAT BACKS & ARM INTO THE SEAT FRAME

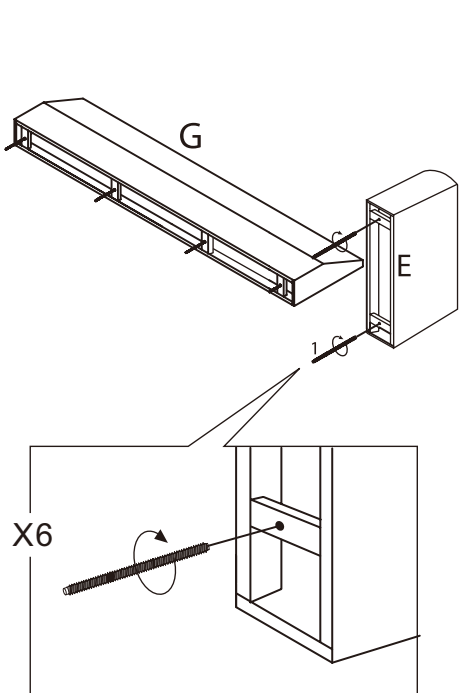


STEP 3- PUT BACK THE FABRIC COVER AND INSERT LEGS



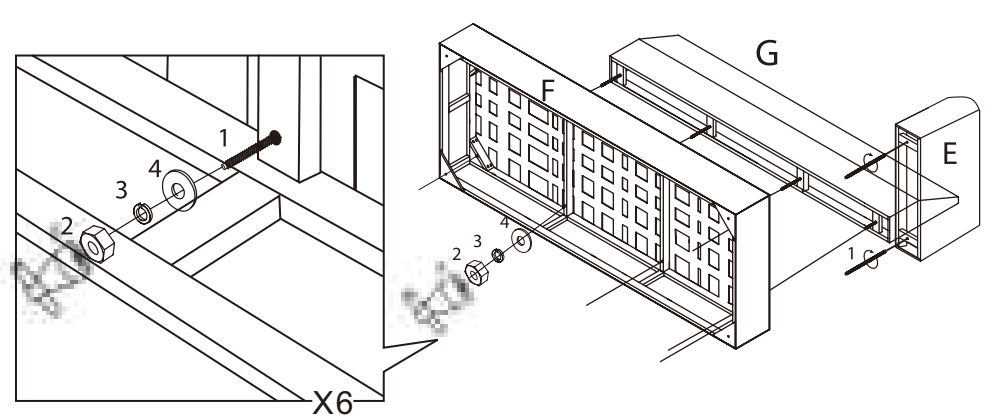
SOFA ASSEMBLY INSTRUCTION-BOX 2

STEP 1- INSERT THREADED RODS INTO SEAT BACKS & ARM

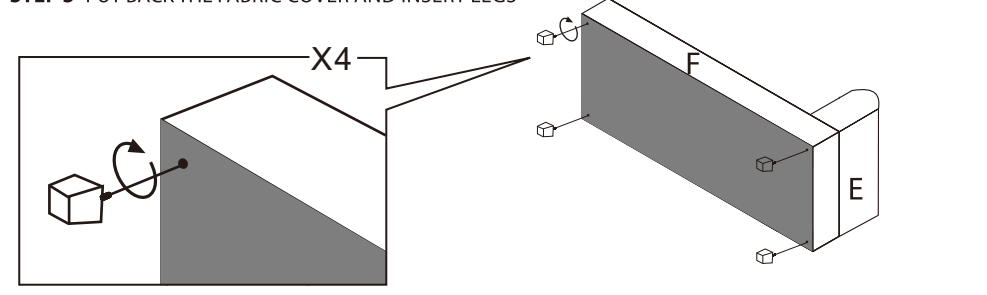


* Shorter end of the threaded screw going into the back panel.*

STEP 2- MOUNT SEAT BACKS & ARMS INTO THE SEAT FRAME



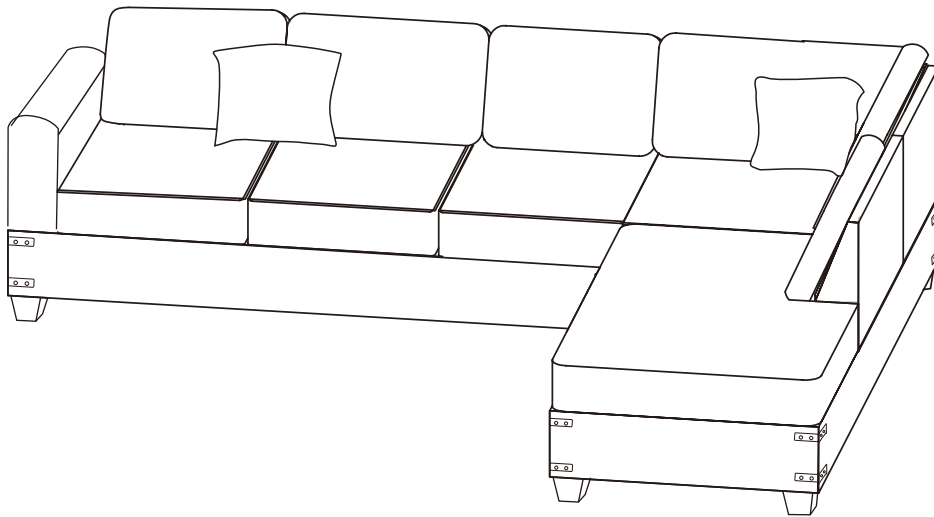
STEP 3- PUT BACK THE FABRIC COVER AND INSERT LEGS



NOTICE BEFORE ASSEMBLY

Please choose the CHAISE to be on
the LEFT or RIGHT hand side

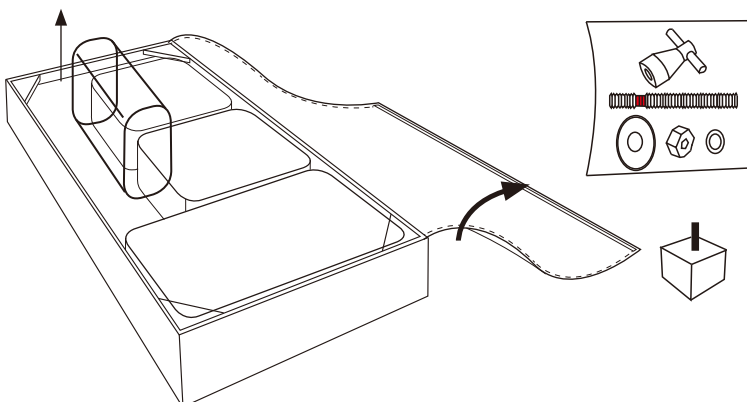
Assembly Instruction II:CHAISE ON THE RIGHT



PARTS LIST

BOX-1		BOX-2	
*Cushions, pillow and legs included		*Cushions, pillow and legs included	
1. x12	2. x12	3. x12	
4. x12	5. x2	6. x8	

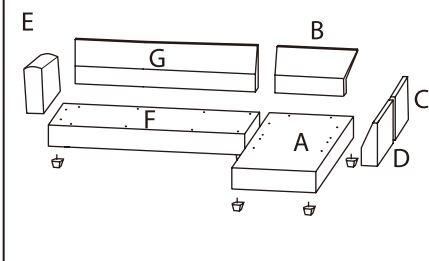
BEFORE ASSEMBLY



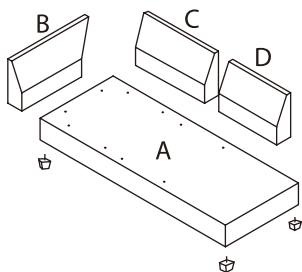
Open up the Velcro of Non-Woven Fabric cover on the bottom of the seat frame to remove seat cushions, back cushions and pillow

*****PLEASE REMOVE ALL PARTS FROM SEAT FRAMES AND SEAT BACKS BEFORE ASSEMBLY*****

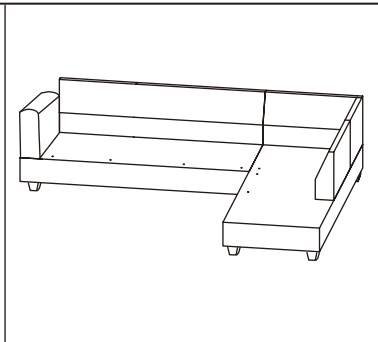
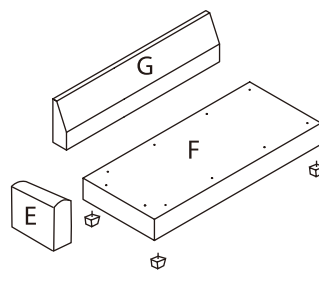
CHAISE ON THE RIGHT



CHAISE - BOX 1



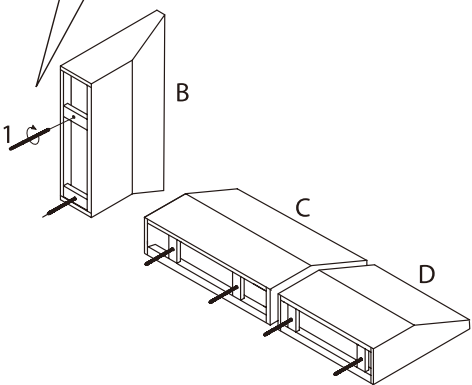
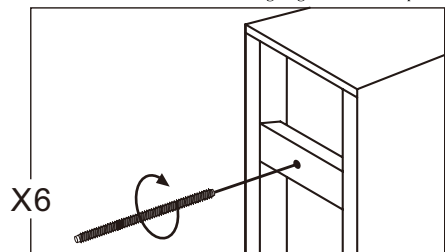
SOFA - BOX 2



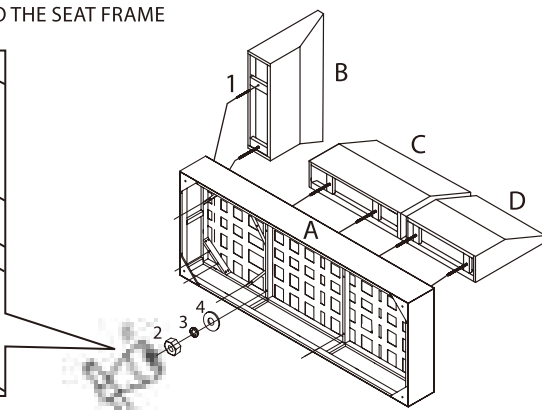
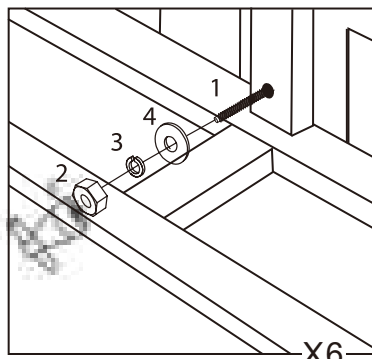
CHAISE ASSEMBLY INSTRUCTION-BOX 1

STEP 1 - INSERT THREADED RODS INTO SEAT BACKS & ARM

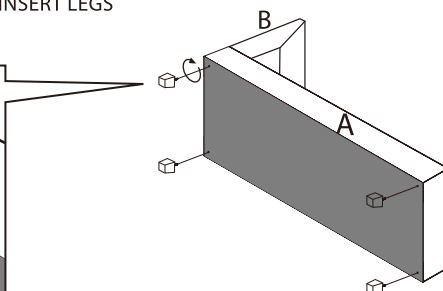
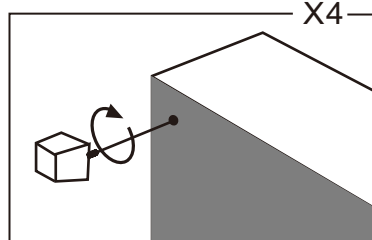
* Shorter end of the threaded screw going into the back panel.*



STEP 2 - MOUNT SEAT BACKS AND ARM INTO THE SEAT FRAME

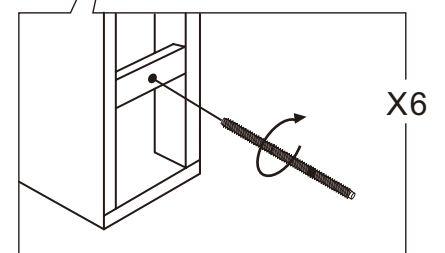
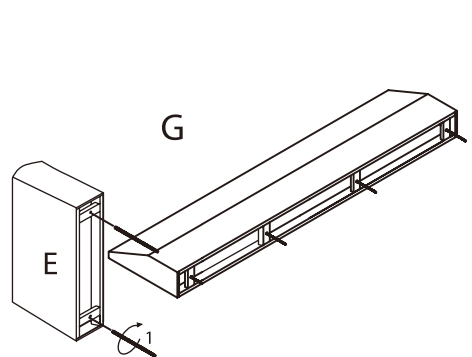


STEP 3 - PUT BACK THE FABRIC COVER AND INSERT LEGS

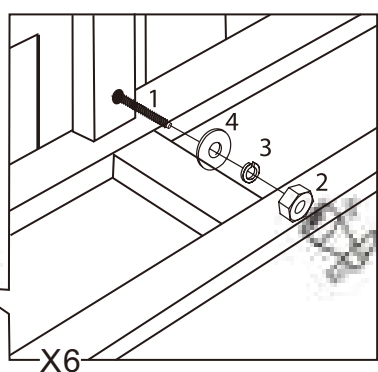
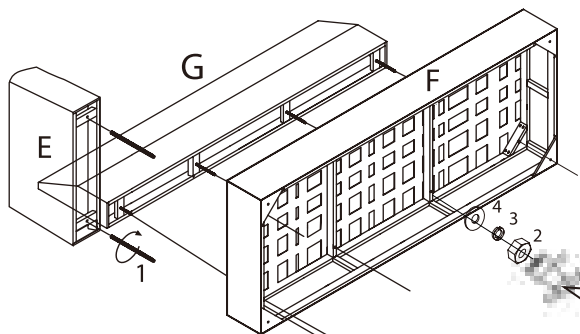


SOFA ASSEMBLY INSTRUCTION-BOX 2

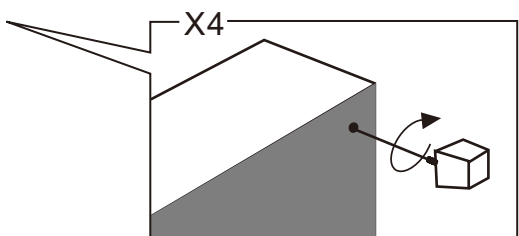
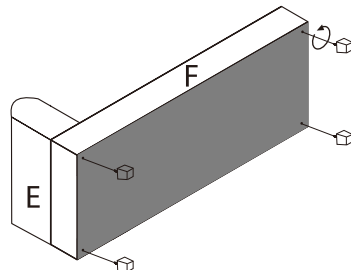
STEP 1 - INSERT THREADED RODS INTO SEAT BACKS & ARM



STEP 2 - MOUNT SEAT BACKS AND ARM INTO THE SEAT FRAME

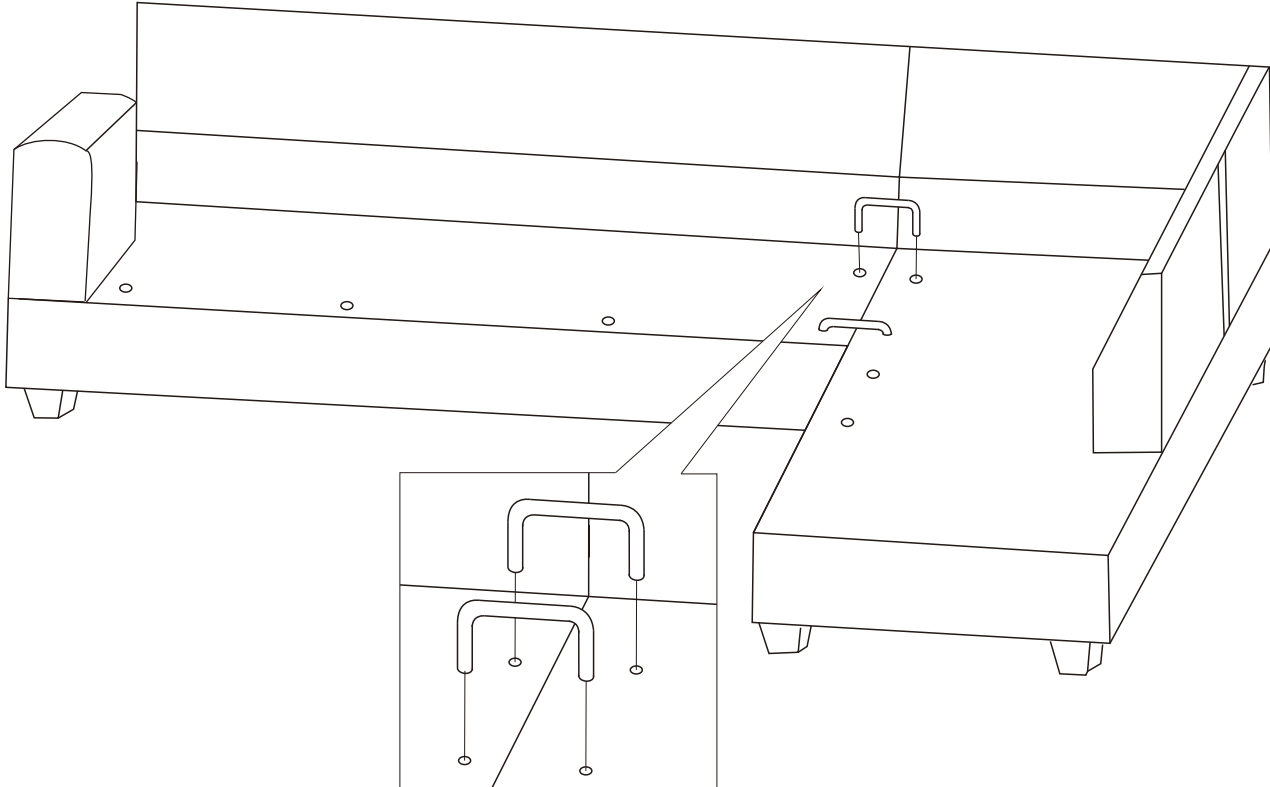
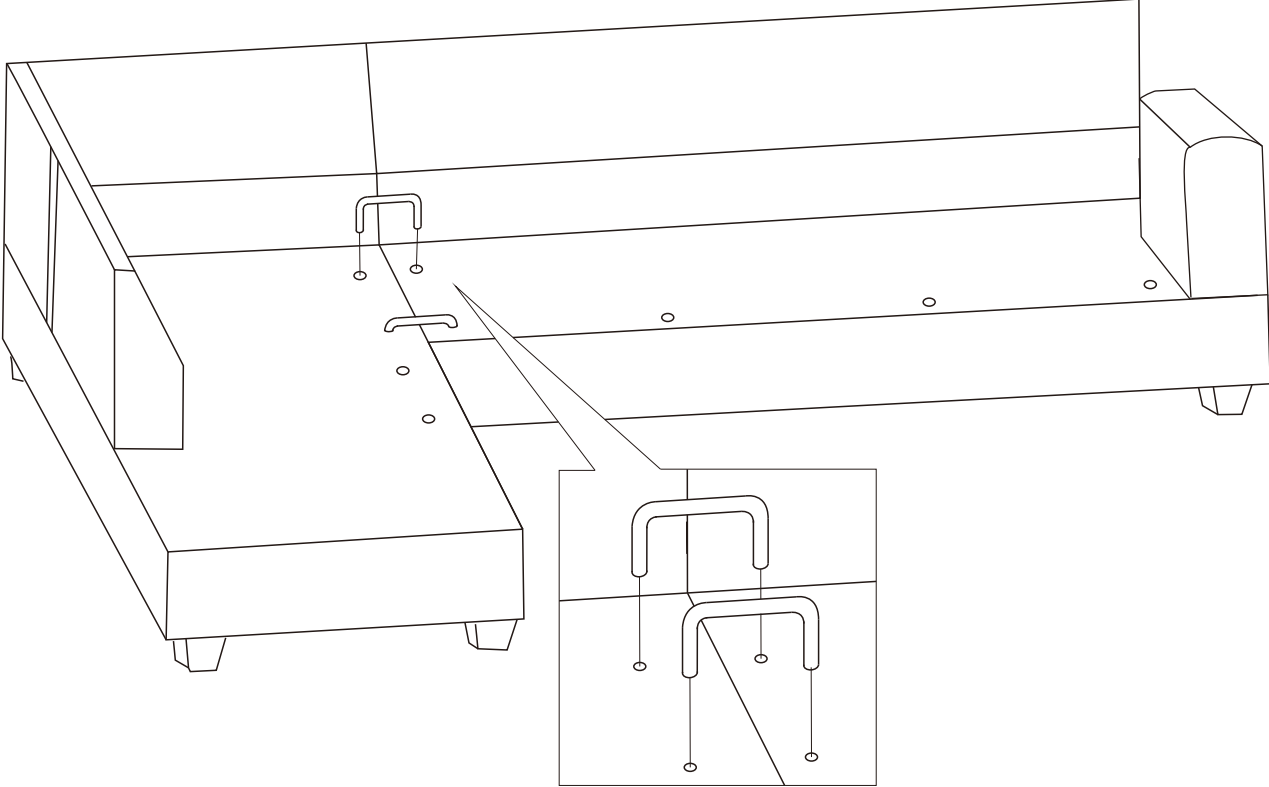


STEP 3 - PUT BACK THE FABRIC COVER AND INSERT LEGS

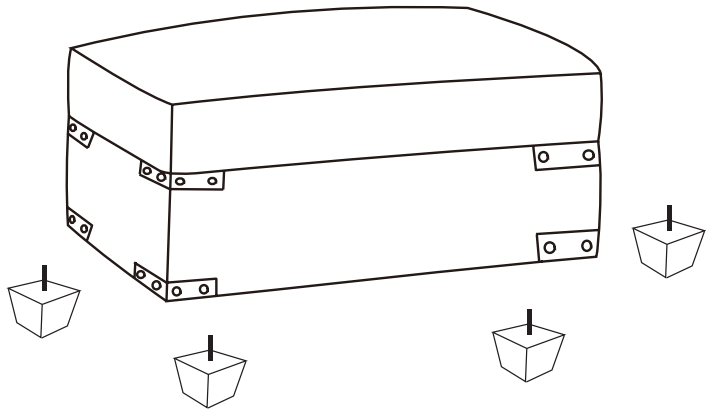


* Shorter end of the threaded screw going into the back panel.*

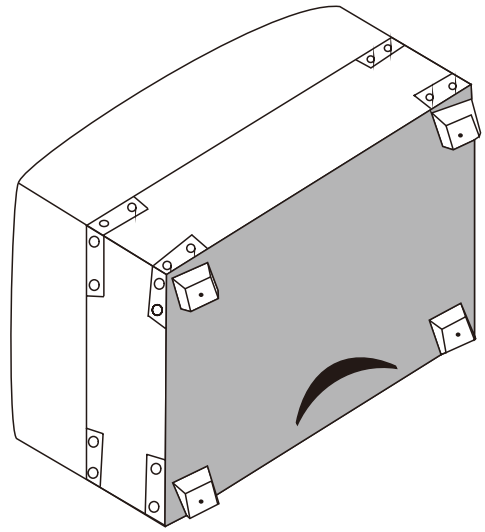
OPTIONAL: INSERT THE "n" SHAPE HANGER INTO THE SEAT FRAMES TO ATTACH THE WHOLE SET TOGETHER



Assembly Instructions

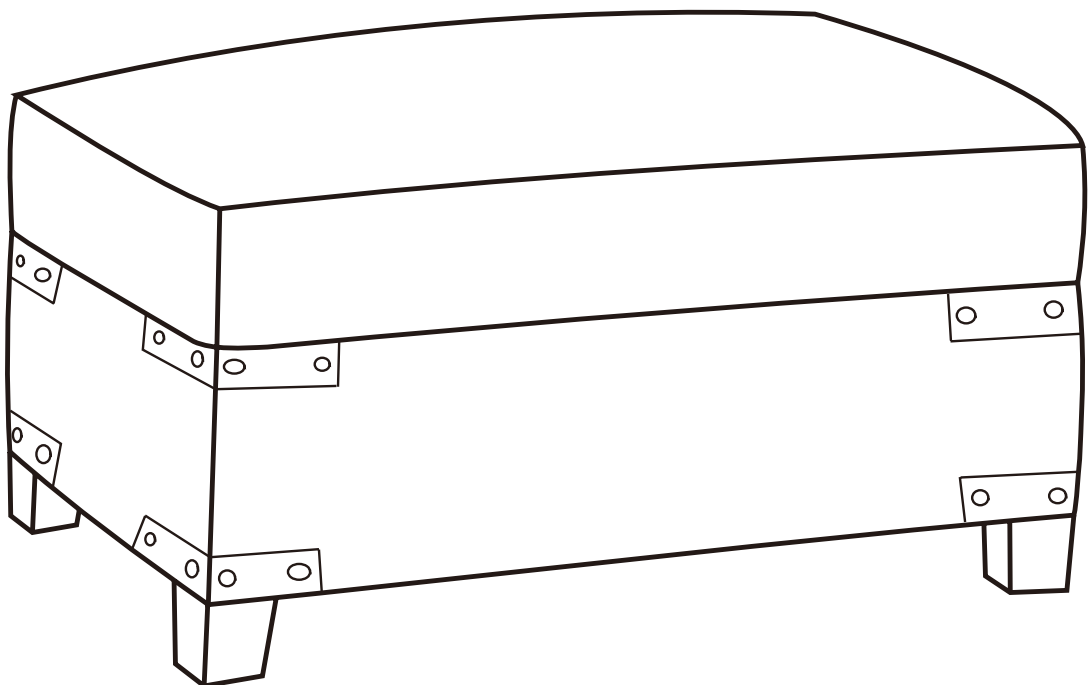
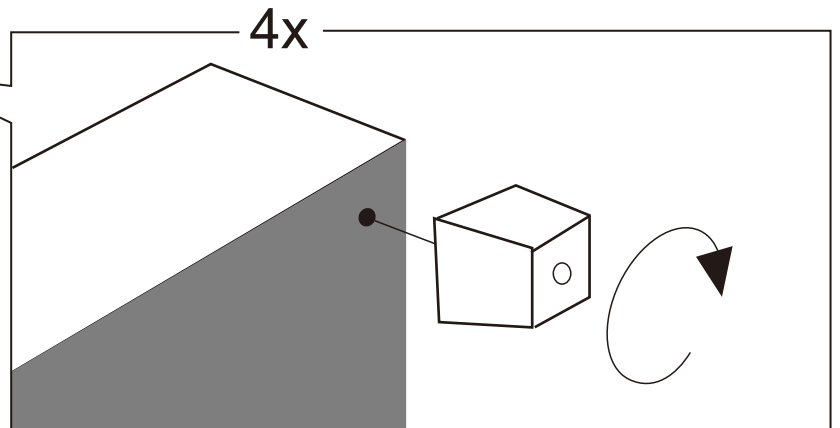
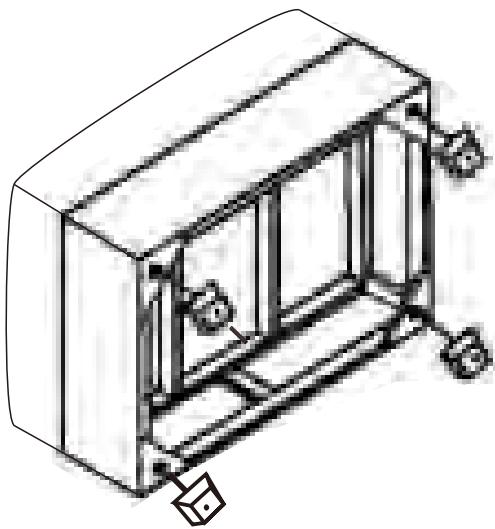


1



2

3



4