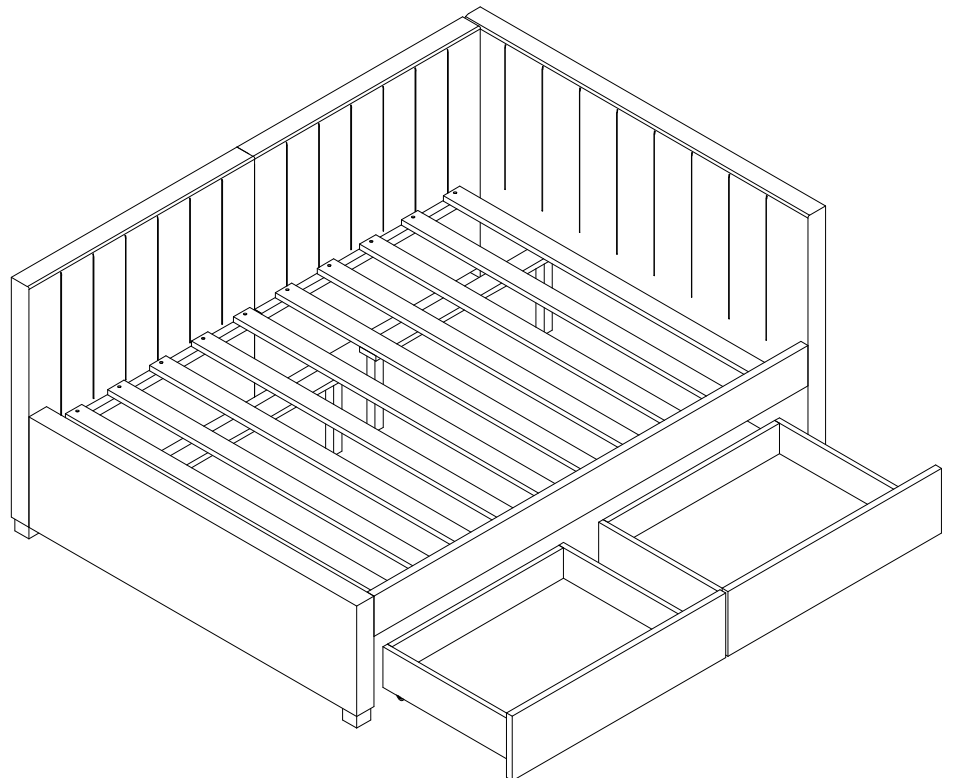
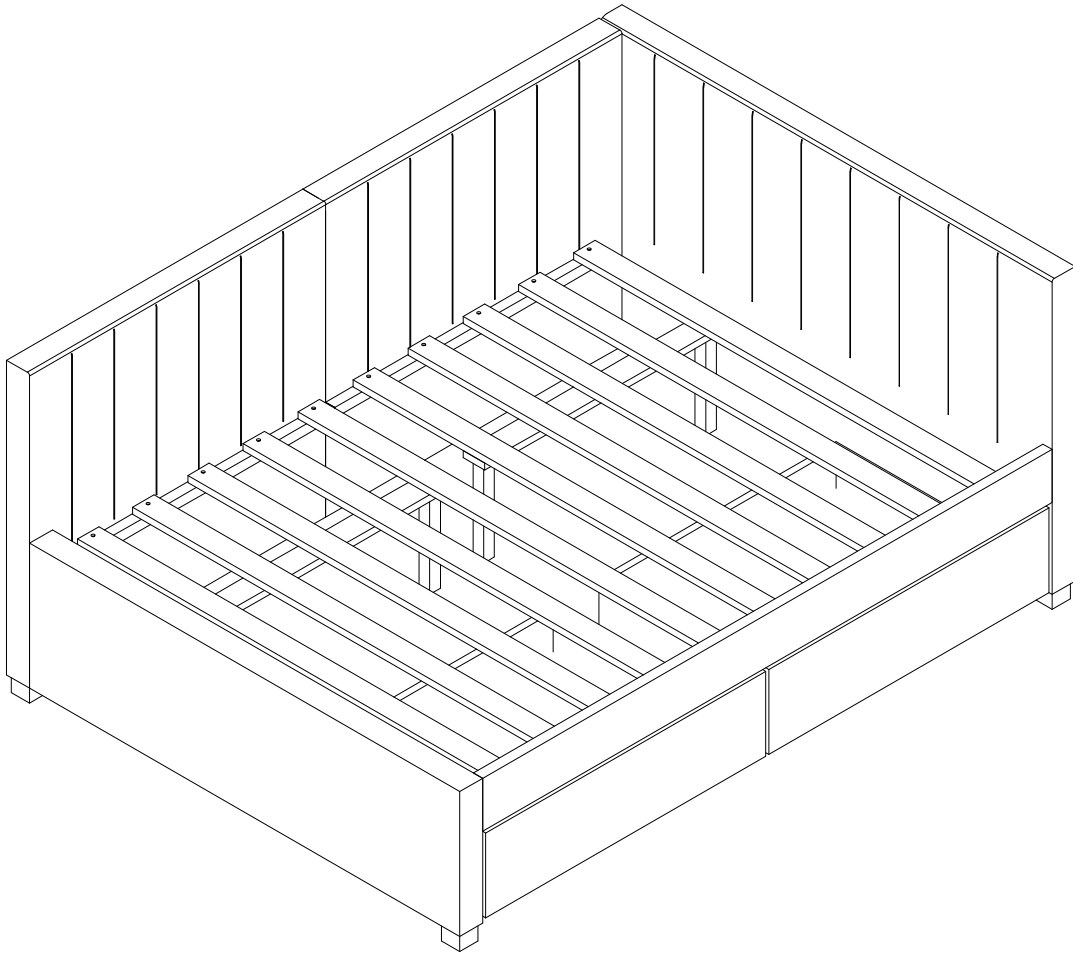
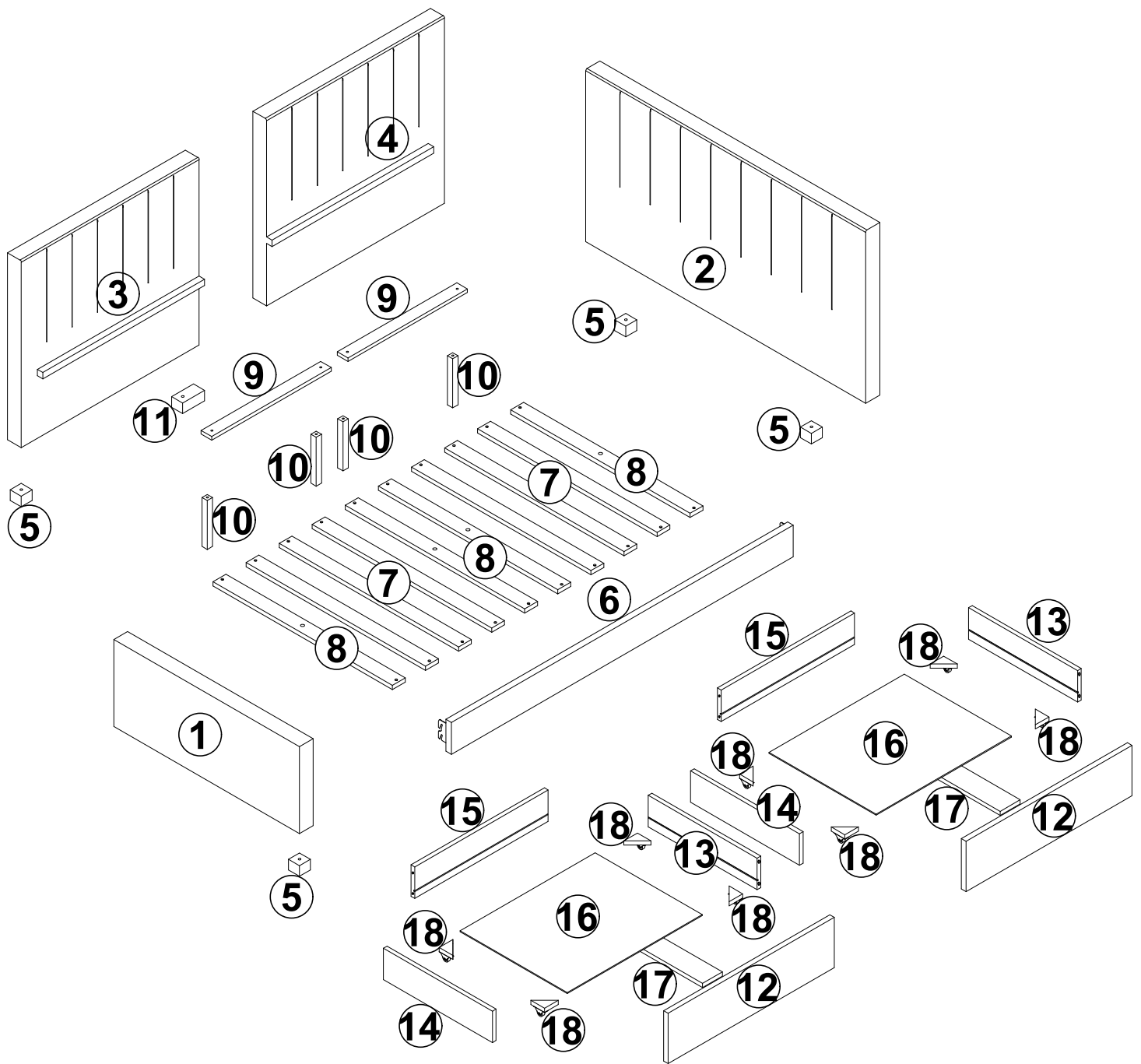


ASSEMBLY INSTRUCTION

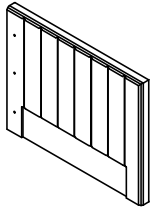
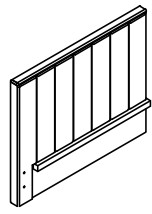
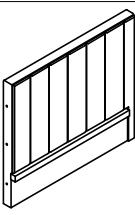
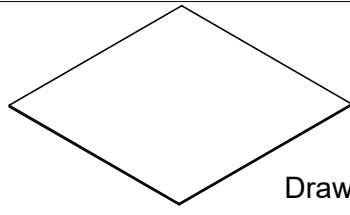


Detail View - FULL BED WITH TWO DRAWERS

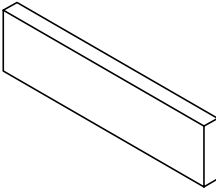
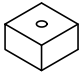
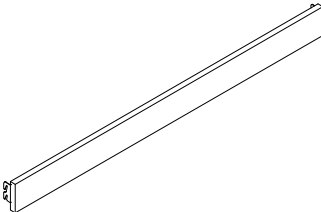
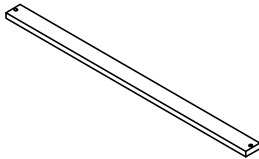
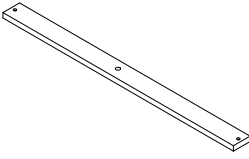
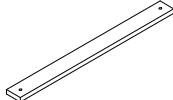

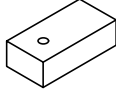
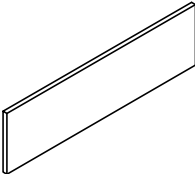
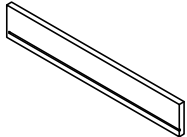
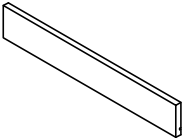
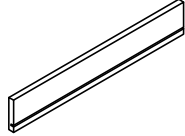
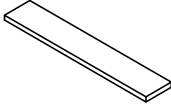
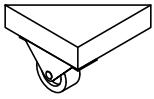


Identifying the Hardware - Identify the hardware using the illustrations below.

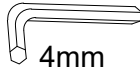
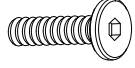
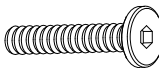
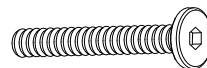






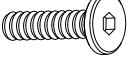




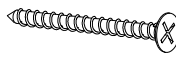
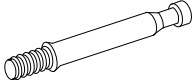

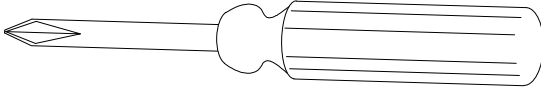
Part Lists:

2	 <p>Headboard-1pc</p>	3	 <p>Back panel 1 - 1pc</p>
4	 <p>Back panel 2 -1pc</p>	16	 <p>Drawer bottom - 2pcs</p>

Part Lists:

<p>1</p>  <p>Footboard-1pc</p>	<p>5</p>  <p>Bed leg -4pcs</p>
<p>6</p>  <p>Side rail -1pc</p>	<p>7</p>  <p>Bed slat 1 - 6pcs</p>
<p>8</p>  <p>Bed slat 2 - 4pcs</p>	<p>9</p>  <p>Middle crossbar -2pcs</p>
<p>10</p>  <p>Support leg -4pcs</p>	<p>11</p>  <p>Back bottom leg -1pc</p>
<p>12</p>  <p>Drawer front - 2pcs</p>	<p>13</p>  <p>Right drawer side - 2pcs</p>
<p>14</p>  <p>Left drawer side - 2pcs</p>	<p>15</p>  <p>Drawer back - 2pcs</p>
<p>17</p>  <p>Drawer bottom support bar -2pcs</p>	<p>18</p>  <p>Wheel support - 8pcs</p>

HARDWARE LISTS:

A  4mm Allen key (1pc)	B  Ø5/16" x 20mm Hex-head bolt (4pcs)
C  Ø5/16" x 40mm Hex-head bolt (6pcs)	D  Ø5/16" x 50mm Hex-head bolt (5pcs)
E  Ø5/16" Spring washer (15pcs)	F  Ø5/16" Flat washer(15pcs)
G  Ø5/16" x 70mm Hanger bolt (2pcs)	H  Half moon (2pcs)
I  Ø5/16" Nut (2pcs)	J  Wrench (1pc)
K  Ø1/4" x 45mm Hex-head bolt (4pcs)	L  Ø1/4" x 50mm Hex-head bolt (8pcs)
M  Ø1/4" Spring washer (4pcs)	N  Ø1/4" Flat washer(4pcs)
Q  Ø1/4" Barrel nut (8pcs)	R  Ø4 x 30mm Wood screw (44pcs)
S  Cam bolt (8pcs)	T  Cam lock(8pcs)
 ASSEMBLY TOOLS REQUIRED (NOT INCLUDED)	

Read this instruction carefully. See hardware and furniture part list for guidance. Be sure all parts are complete, before you assemble. Place all wooden furniture parts on a clean and flat soft surface to prevent from being scratched.



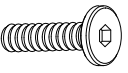
Follow the figure to start assembling.

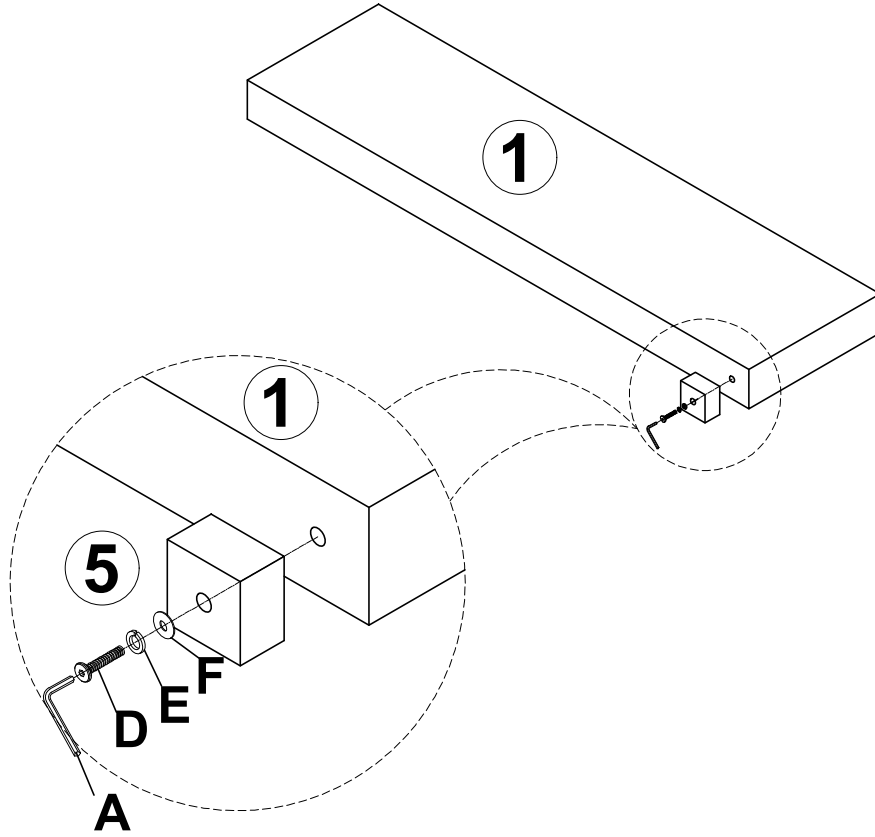
CAUTIONS :

1. Do not FULLY - TIGHTEN the nut or nut bolt until all nut or bolt is ready assembled.
2. Do not OVER - TIGHTEN the nut or bolt to avoid causing damages to the thread.
3. Keep all hardware parts out of reach of children.




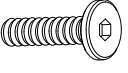
NOTE : THE LIST AND QUANTITY SHOWN ARE FOR 1 UNIT ASSEMBLY.

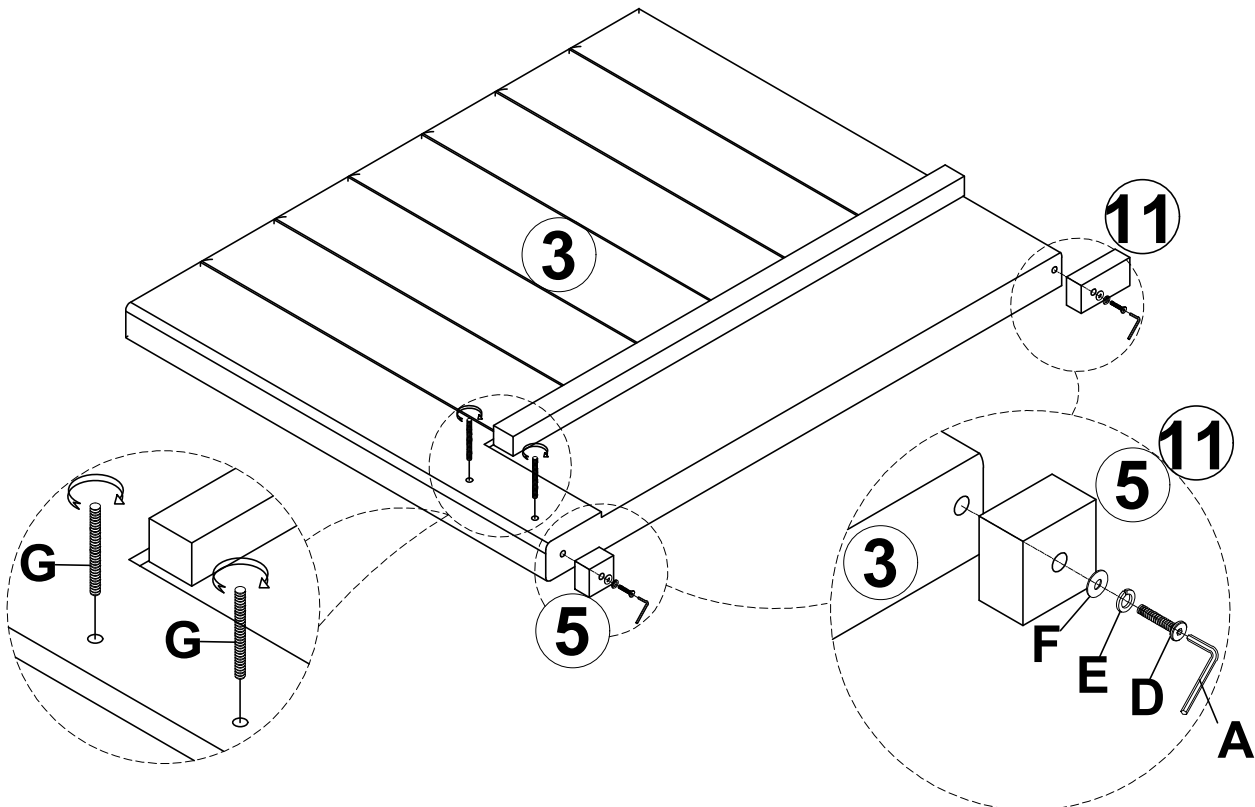
STEP 1

F		E		D	
	1PC		1PC		1PC



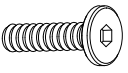


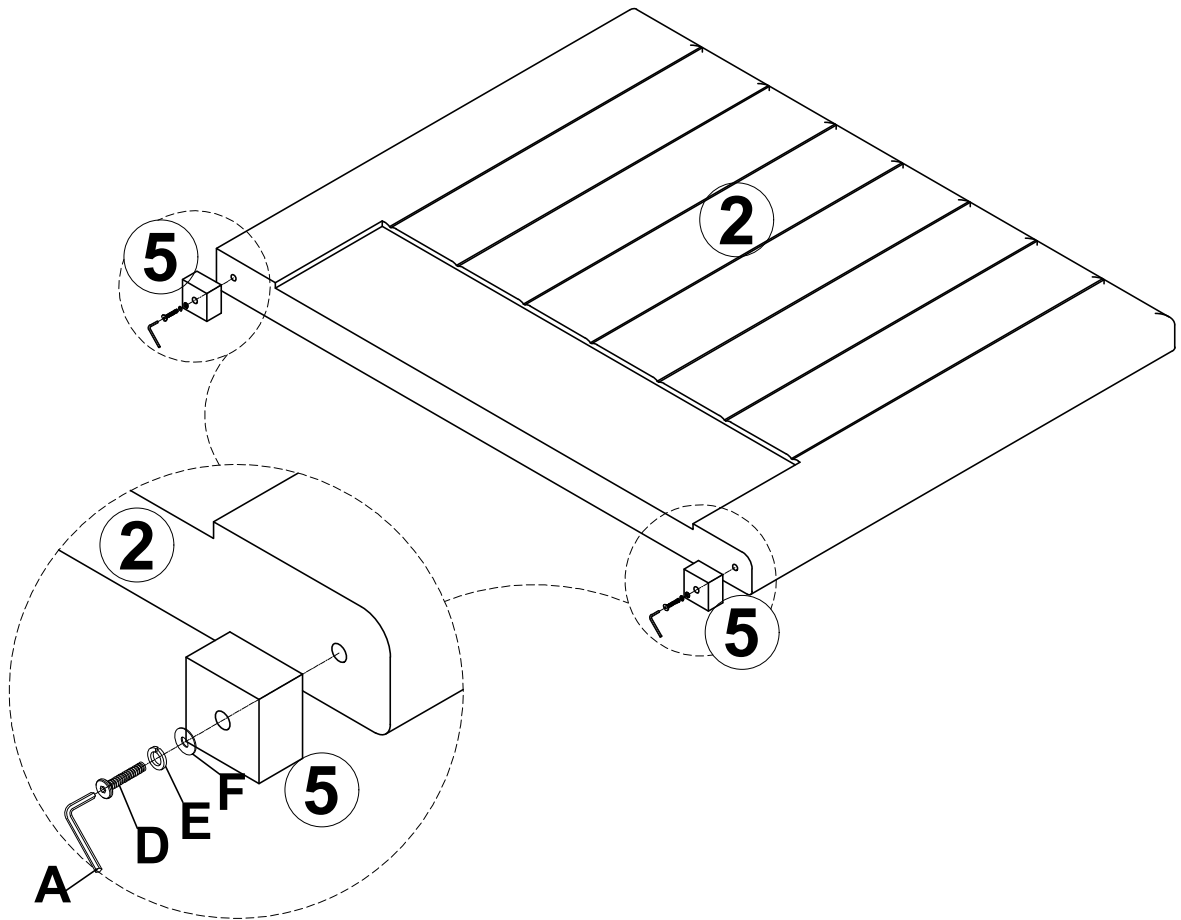
STEP 2

G		F		E		D	
	2PCS		2PCS		2PCS		2PCS



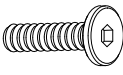


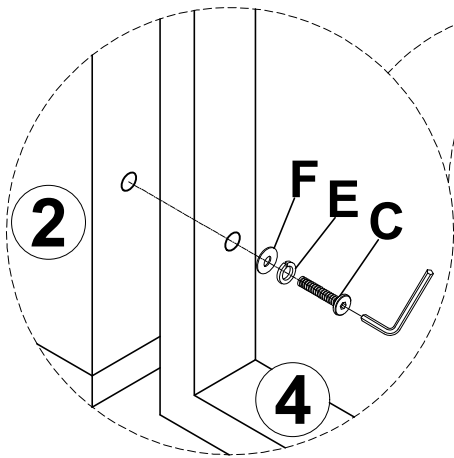
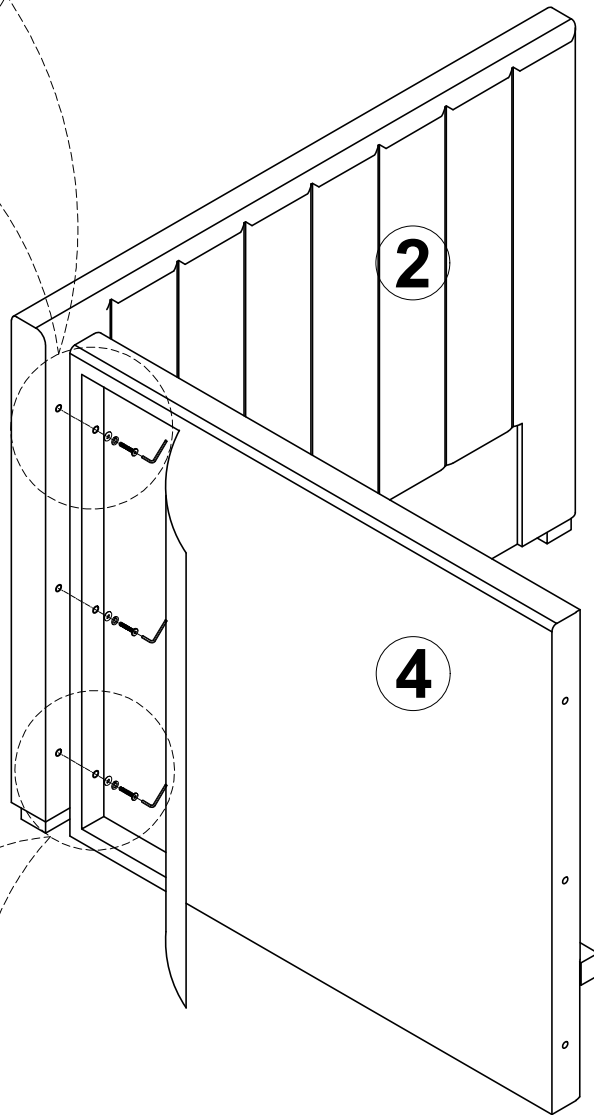
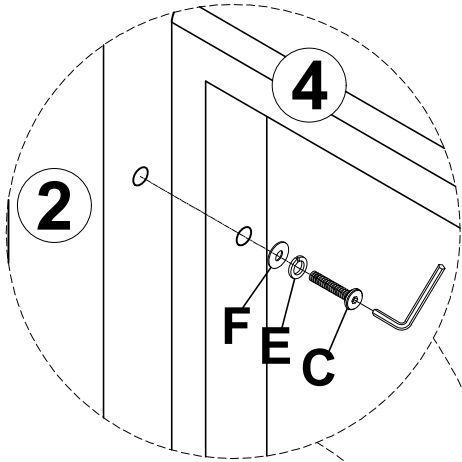
STEP 3

F 	E 	D 
2PCS	2PCS	2PCS



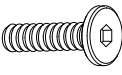


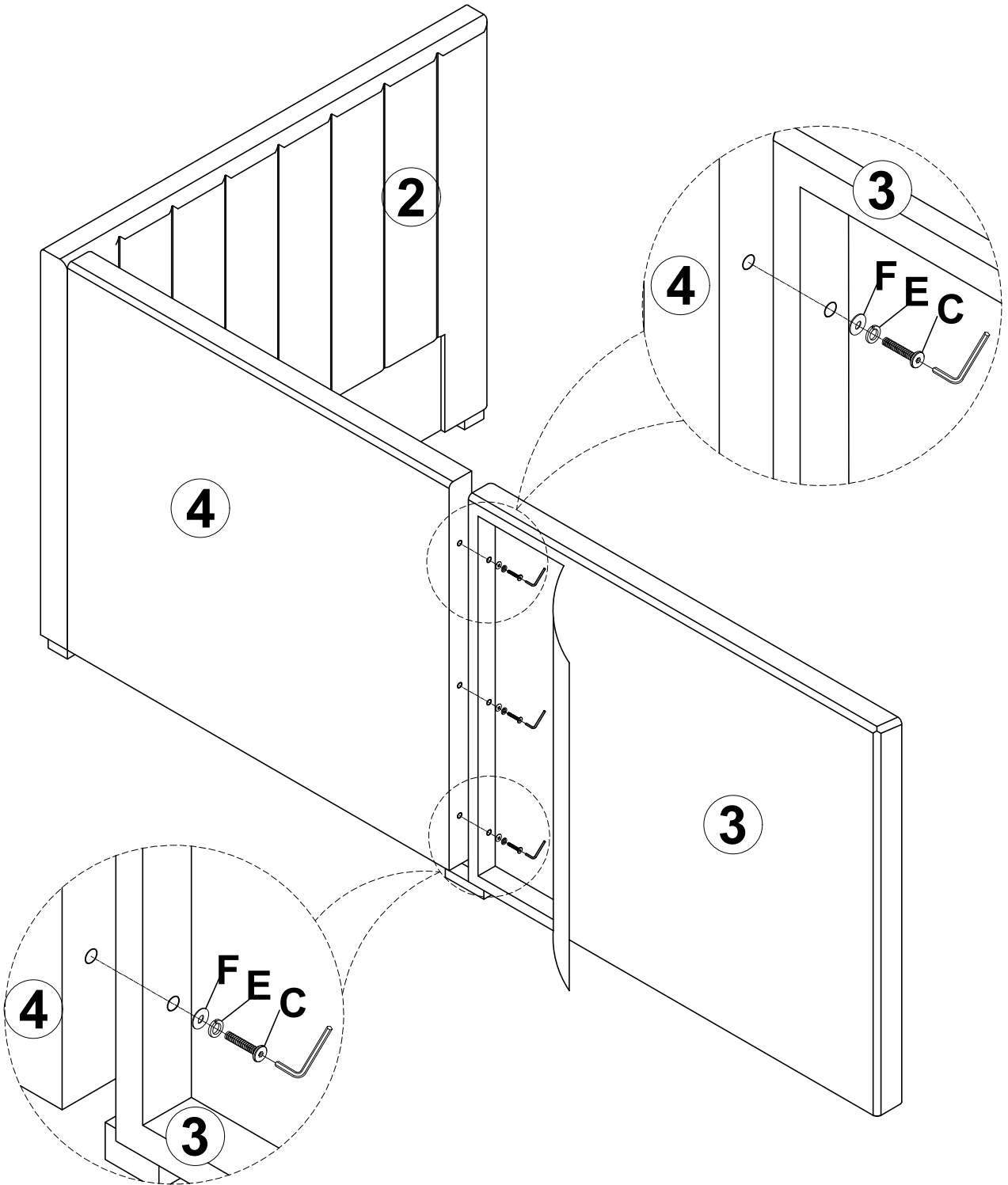
STEP 4

F		E		C	
3PCS		3PCS		3PCS	



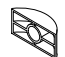


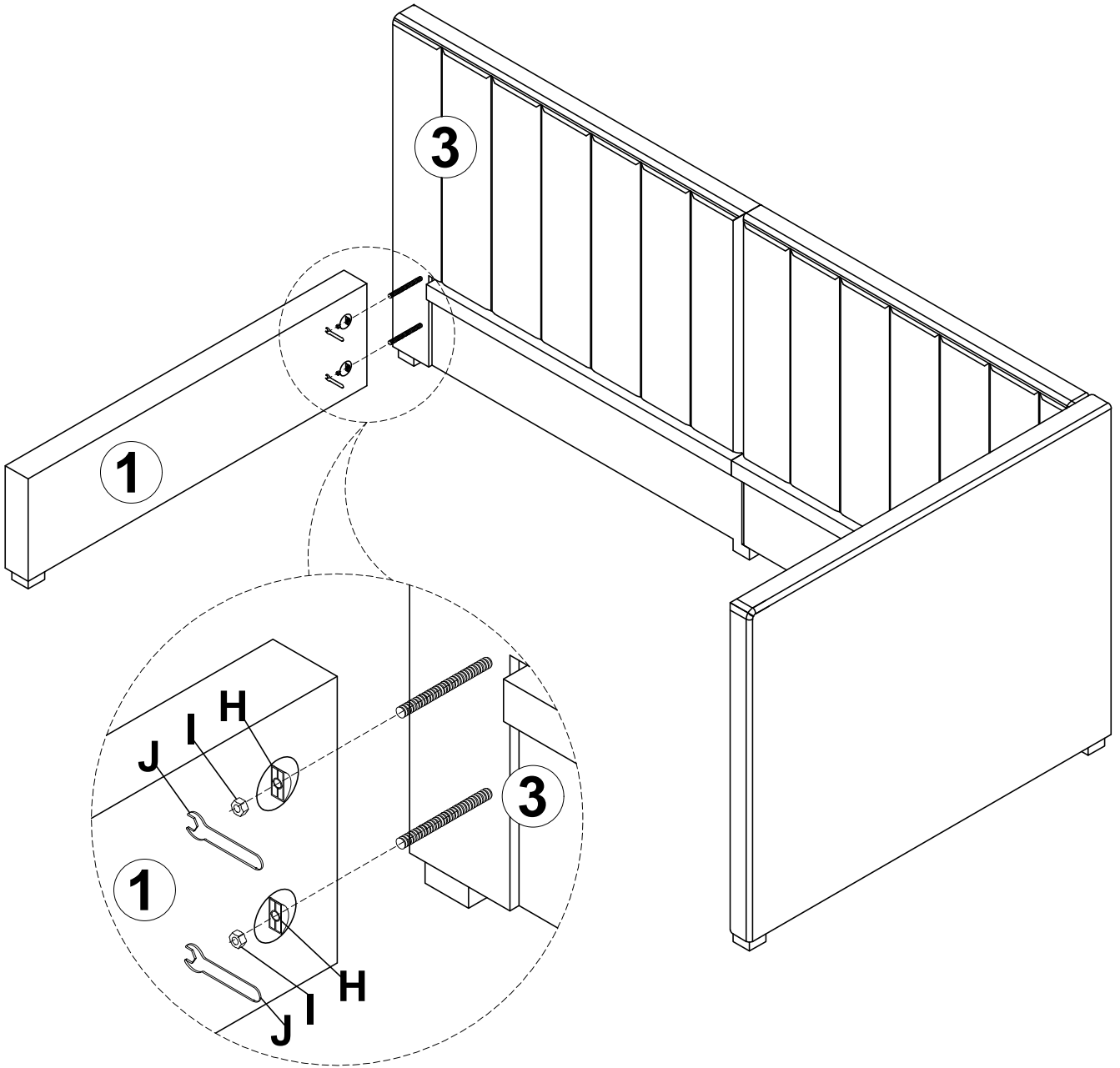
STEP 5

F 	E 	C 
3PCS	3PCS	3PCS



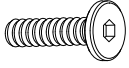


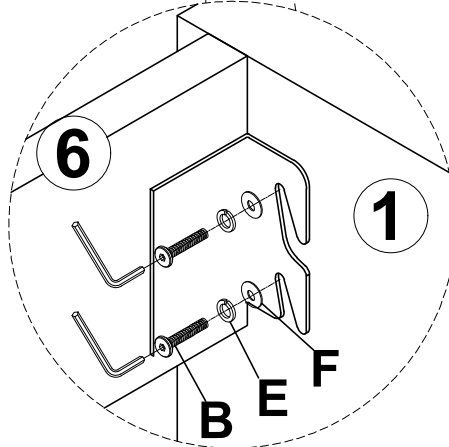
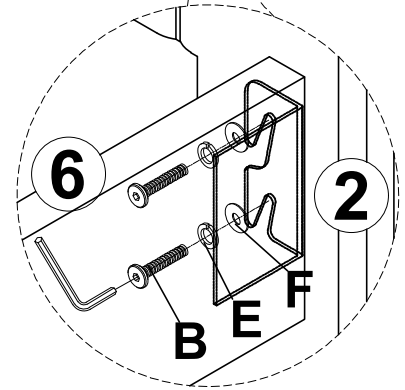
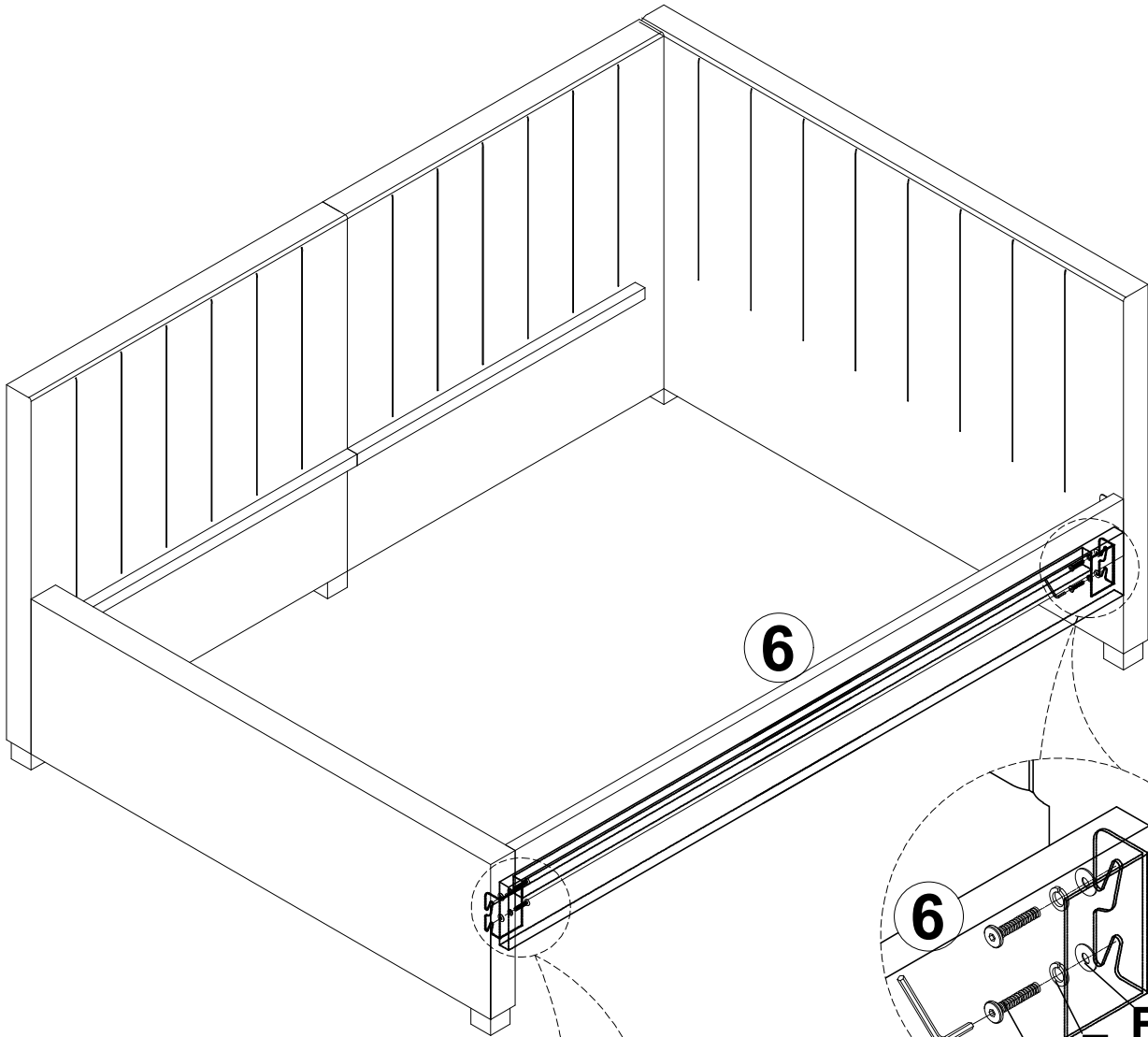
STEP 6

J		I		H	
1PC		2PCS		2PCS	



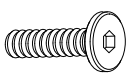


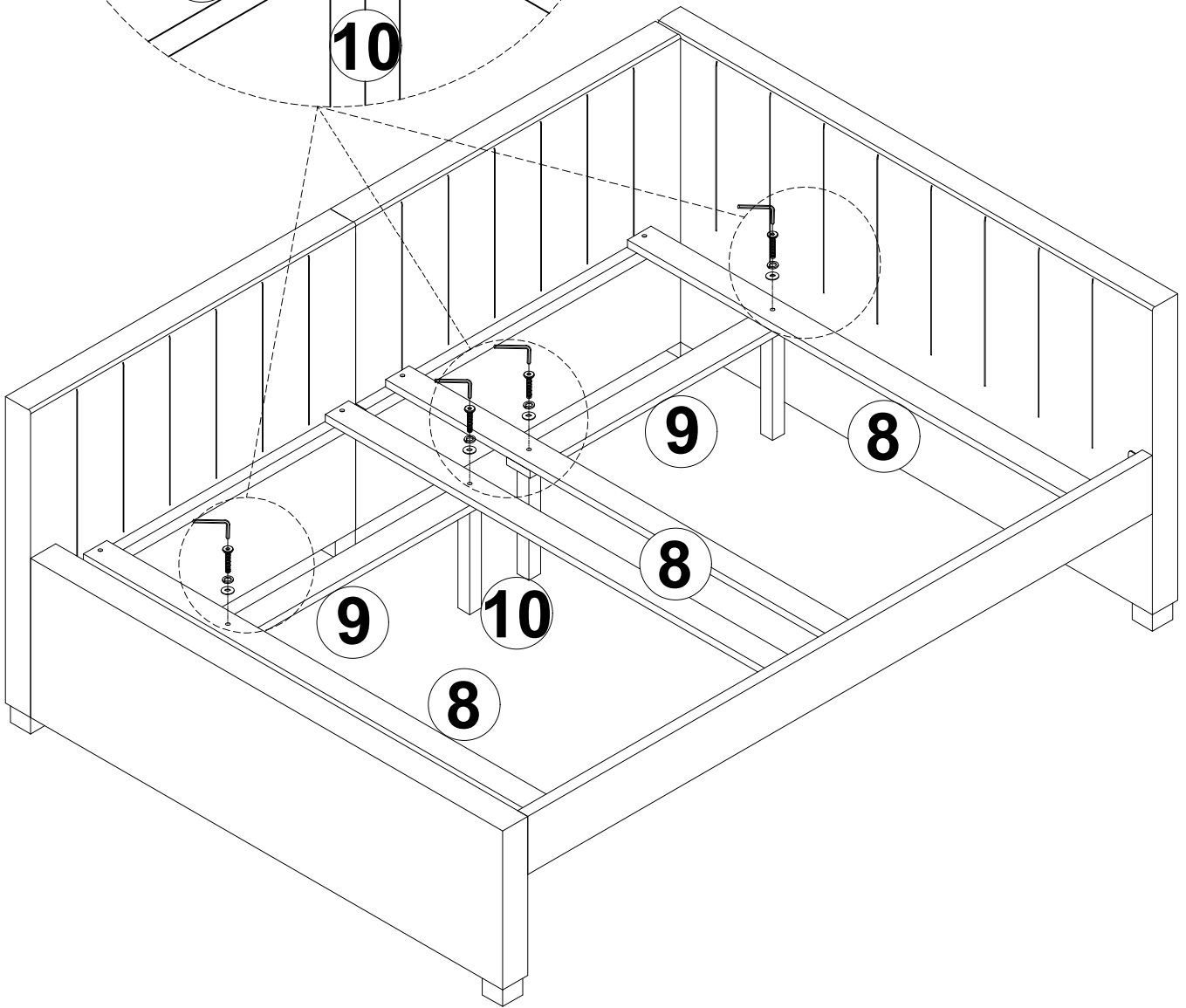
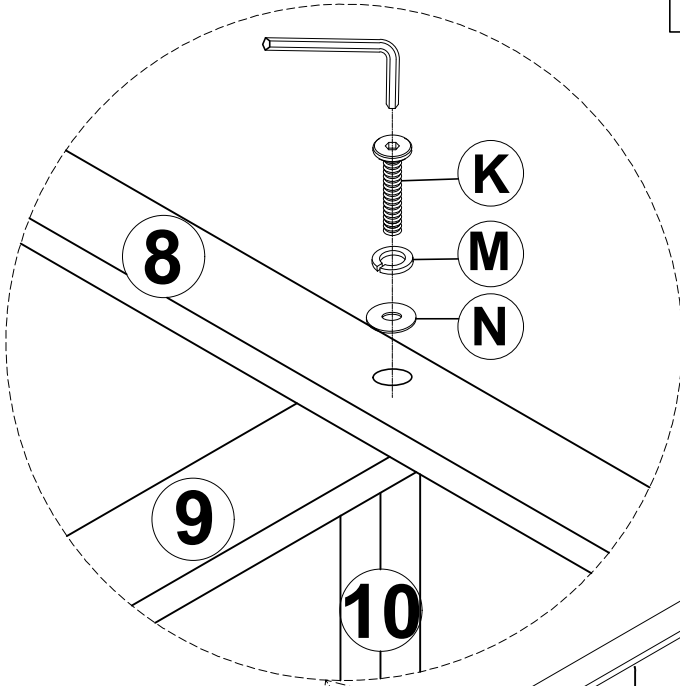
STEP 7

F 	E 	B 
4PCS	4PCS	4PCS



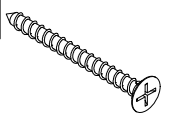
STEP 8

N 	M 	K 
4PCS	4PCS	4PCS

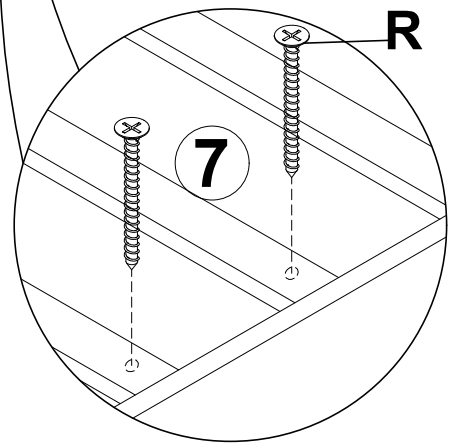
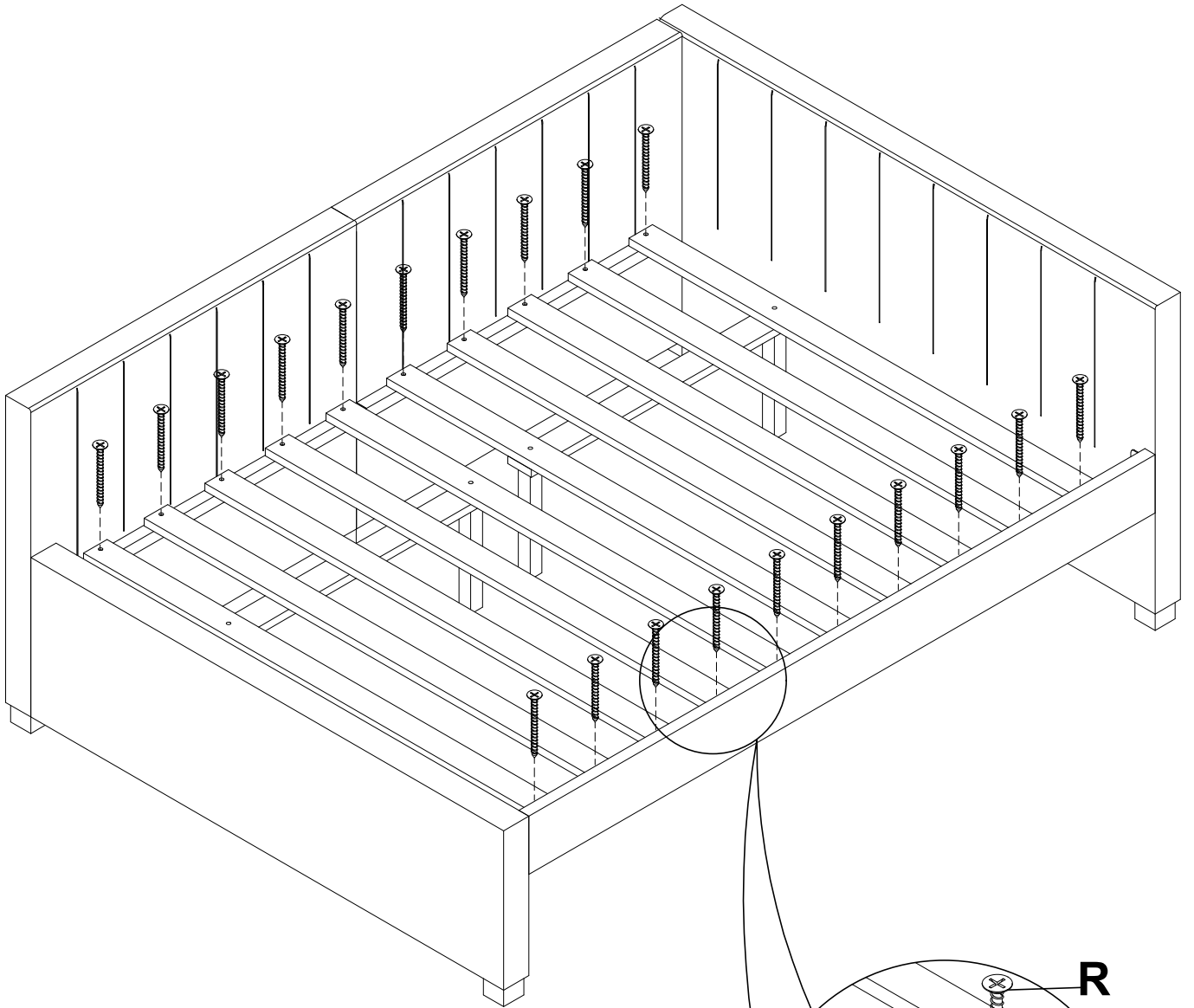


STEP 9

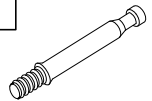
R

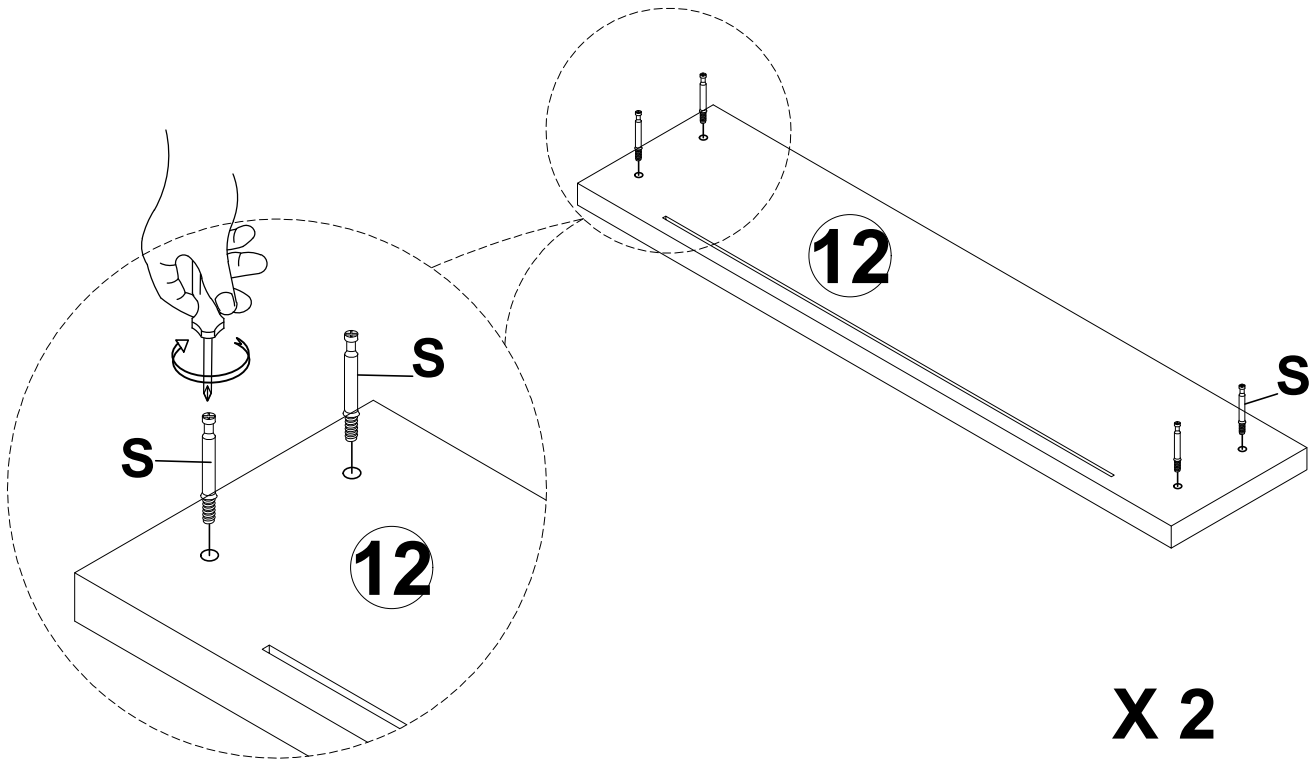


20PCS




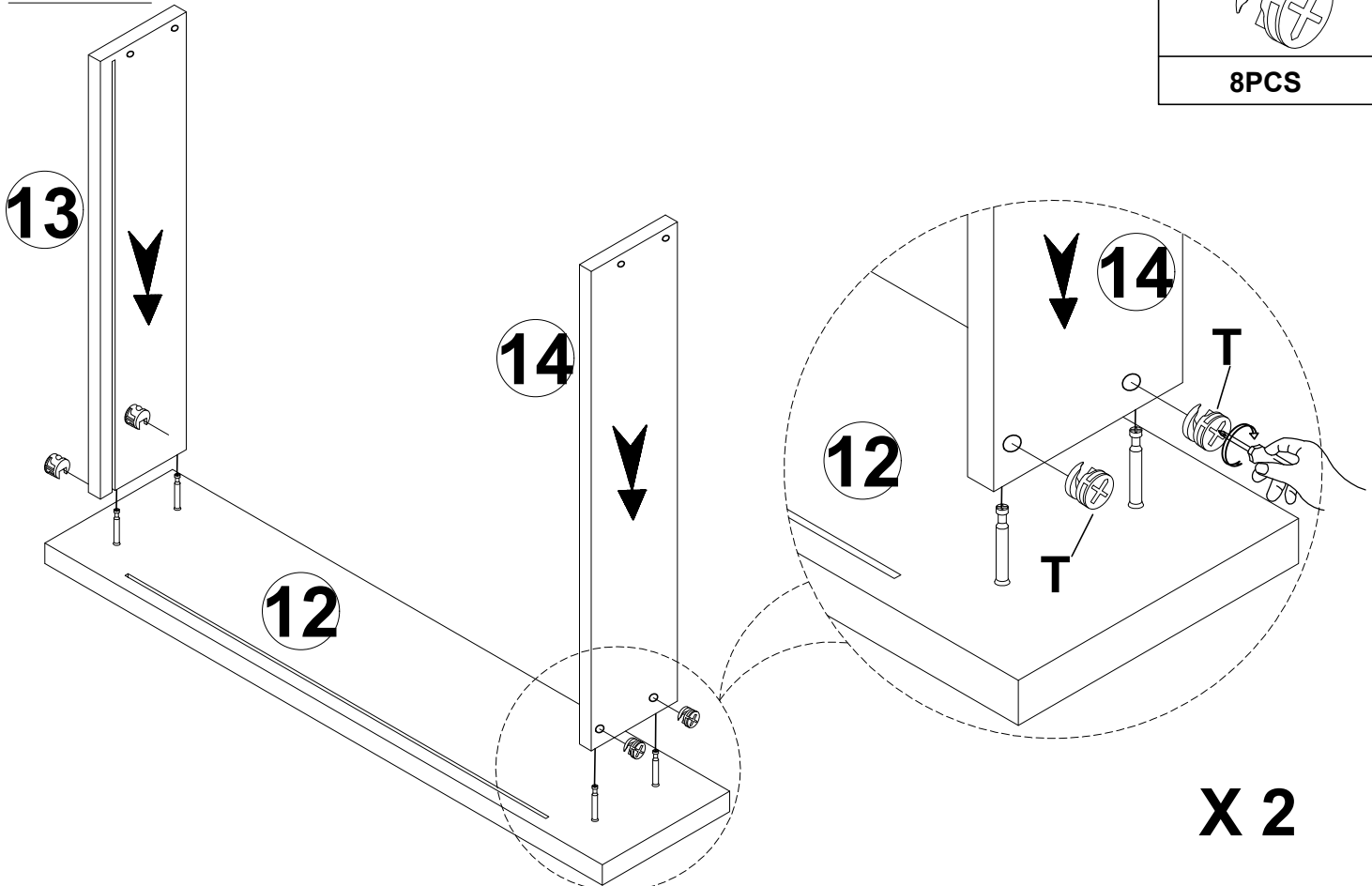
STEP 10

S	
8PCS	

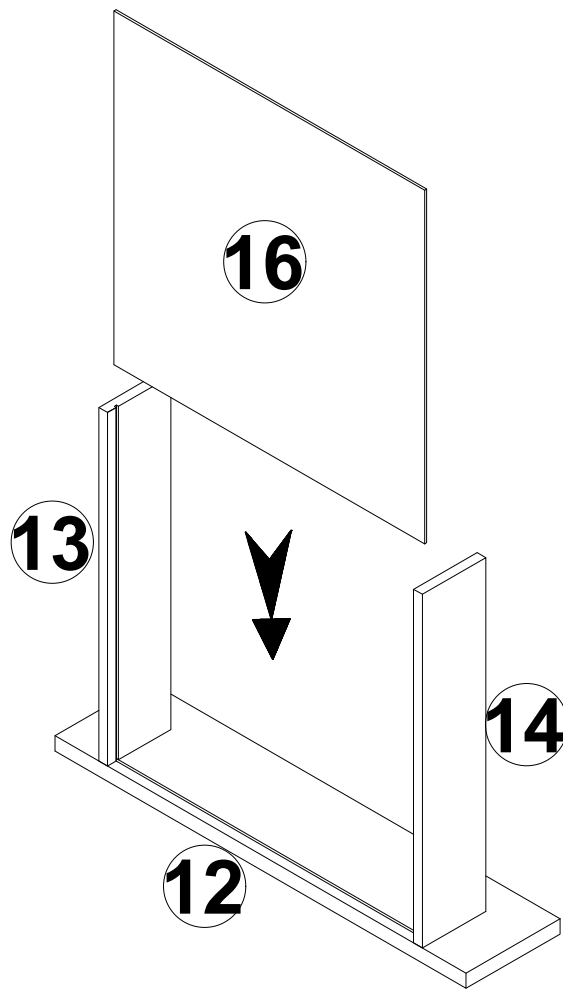


STEP 11

T	
8PCS	





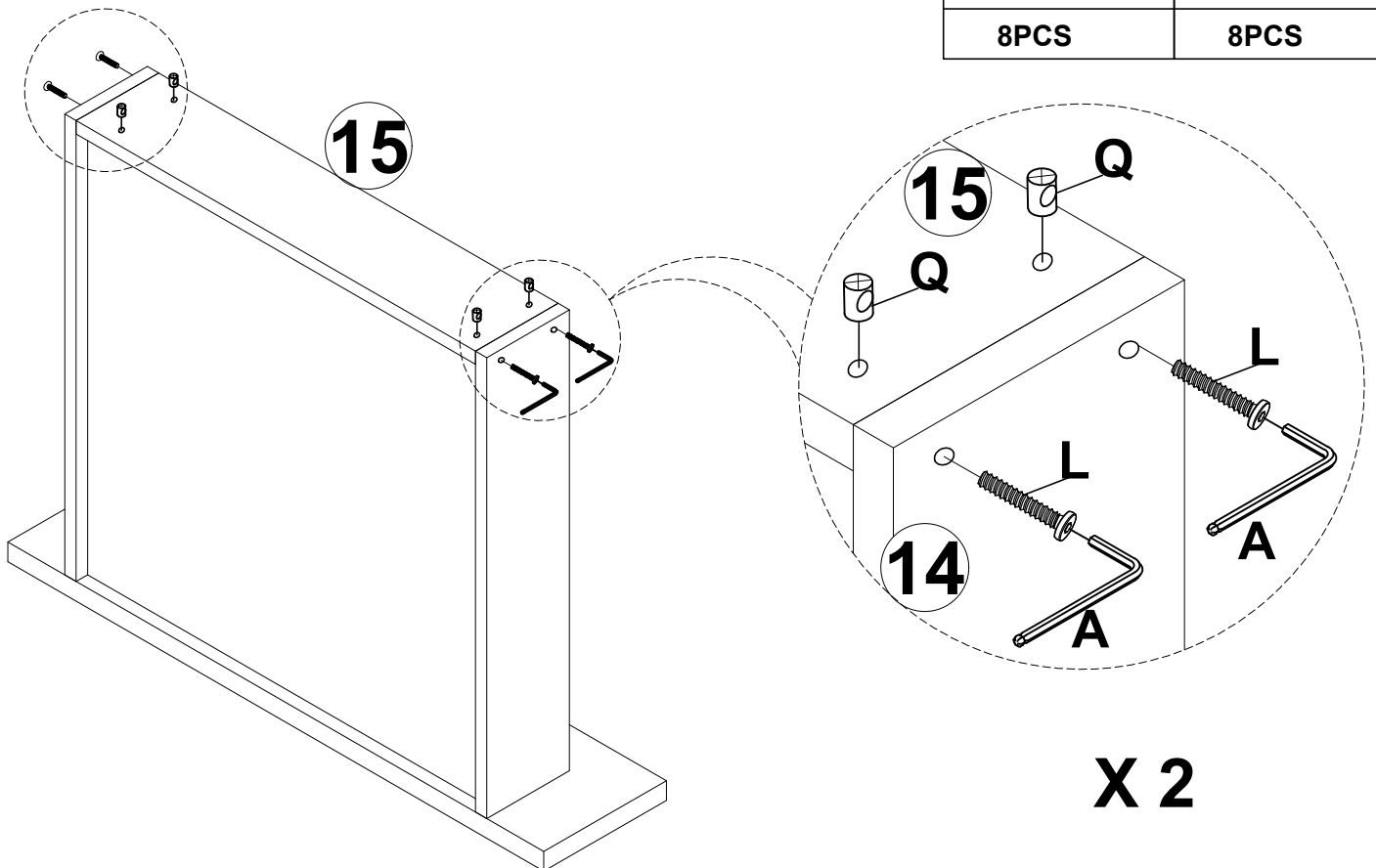
STEP 12



X 2

STEP 13

Q		L	
8PCS		8PCS	

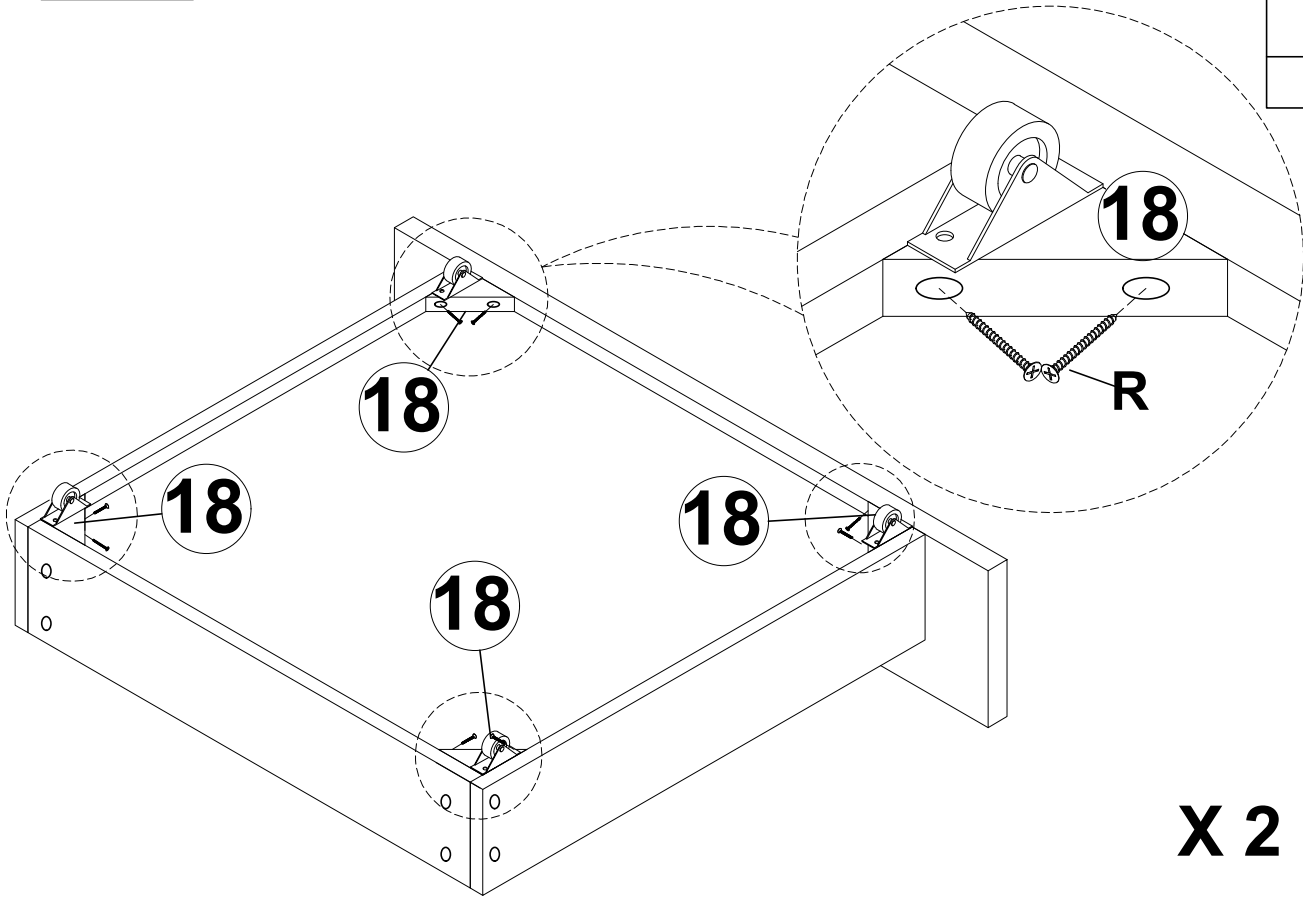


X 2

STEP 14

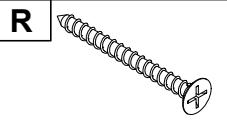


16PCS

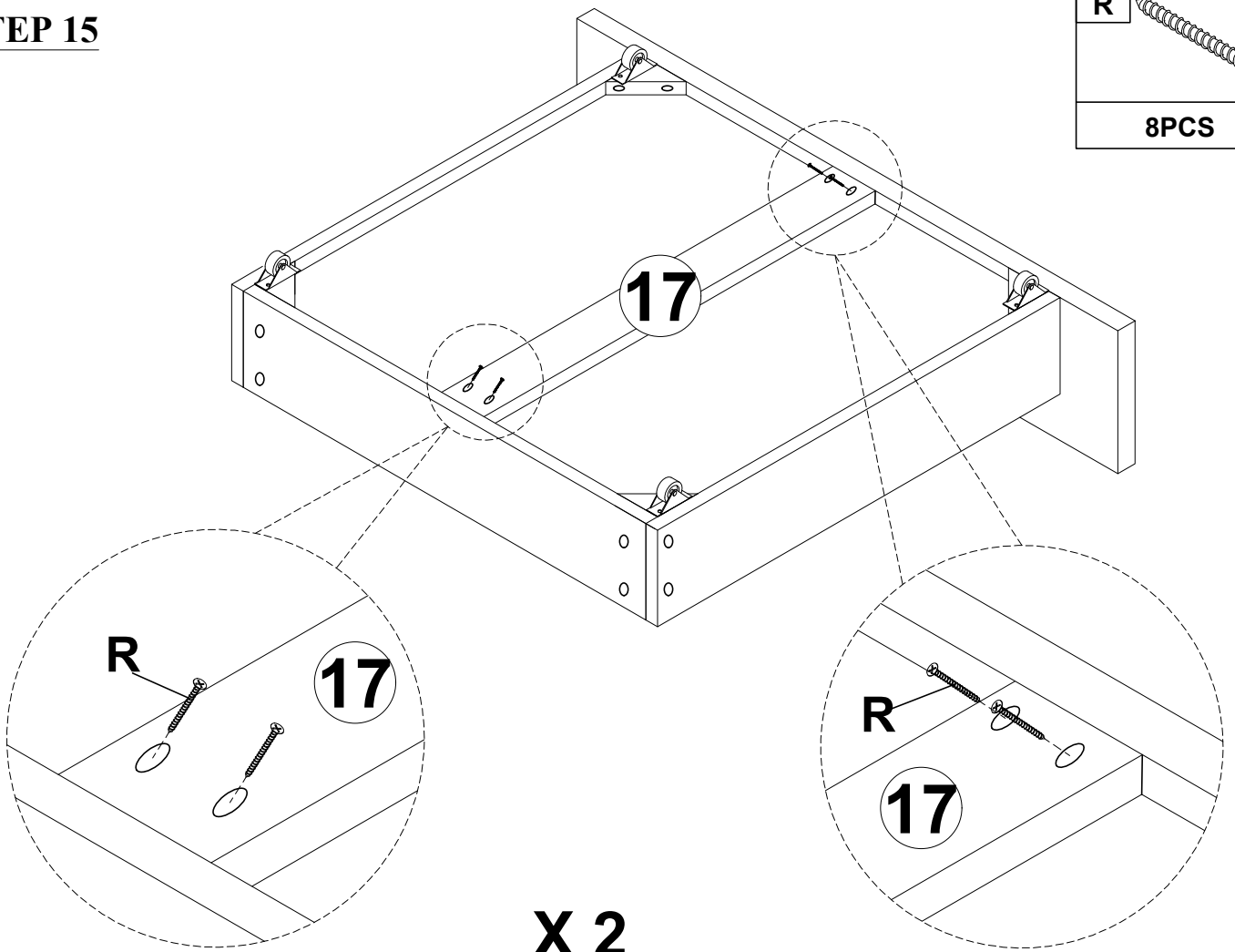


X 2

STEP 15

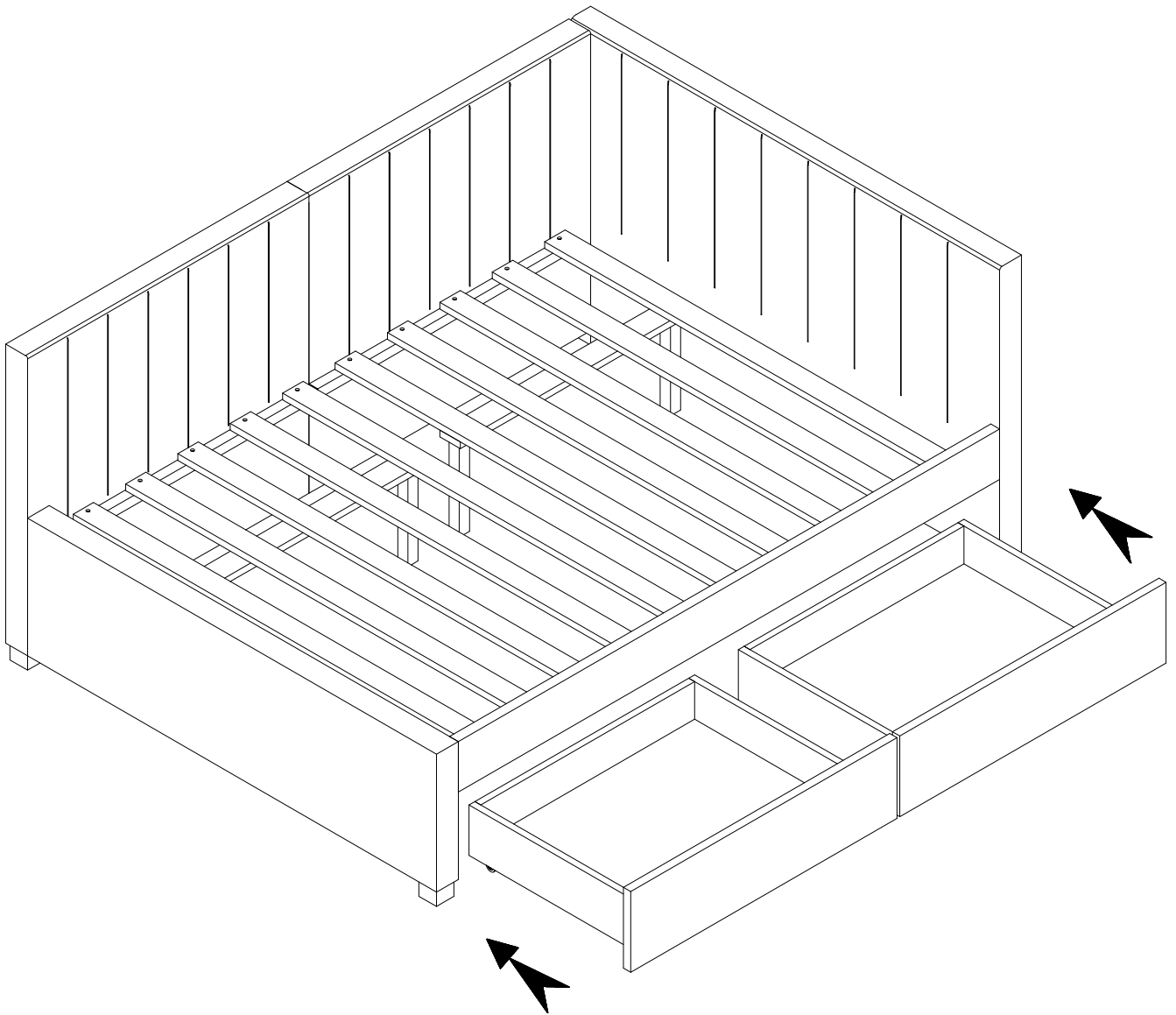


8PCS



X 2

STEP 16



STEP 17

