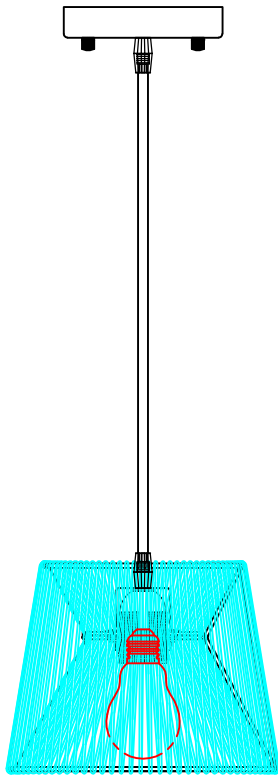
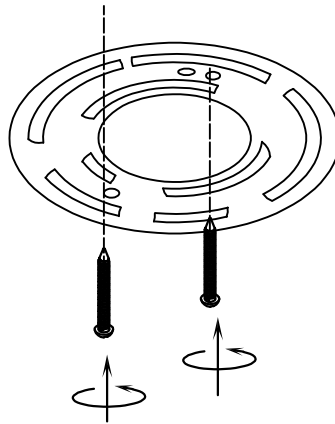


Installation manual

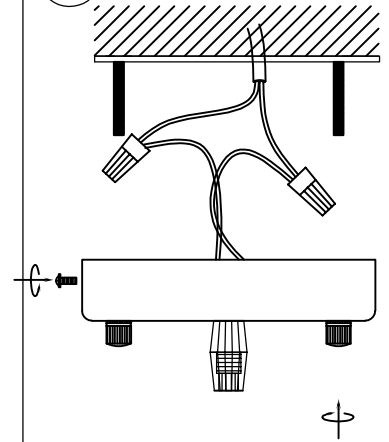


1



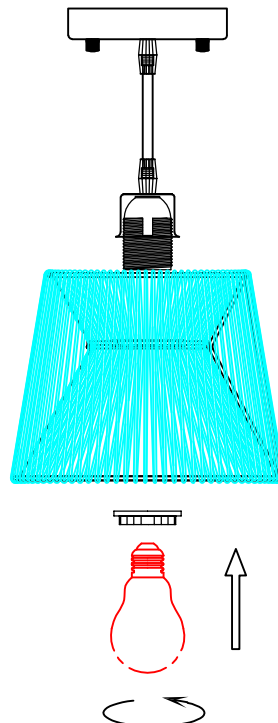
Fix the hanging board to the ceiling

2



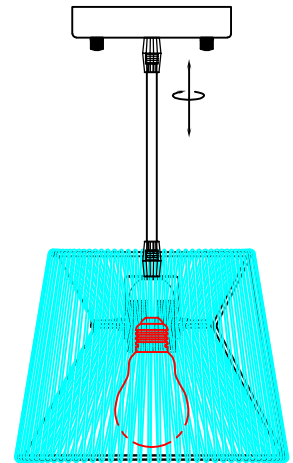
Connect the wires and fix the base on the hanging board

3



Fix the lampshade and install the light bulb

4



The height of the lamp body is controlled by loosening and tightening the wire locking rubber particles

Packing List (Bulbs Not Included)

Accessory Name	QTY	Accessory Name	QTY
Instructions	1 pc	Lamp Body	1 pc
Lampshade	1 pc		

warning:

1. Do not use the power supply beyond the specified range(90-110V,50-60HZ)
2. Should avoid scratching the surface and wires of the lamp during installation
3. Do not install the lamp outdoors.
4. The lamp should not be close to corrosive chemical objects or gases . It should not be washed with water It can only be wiped with a clean soft cloth.