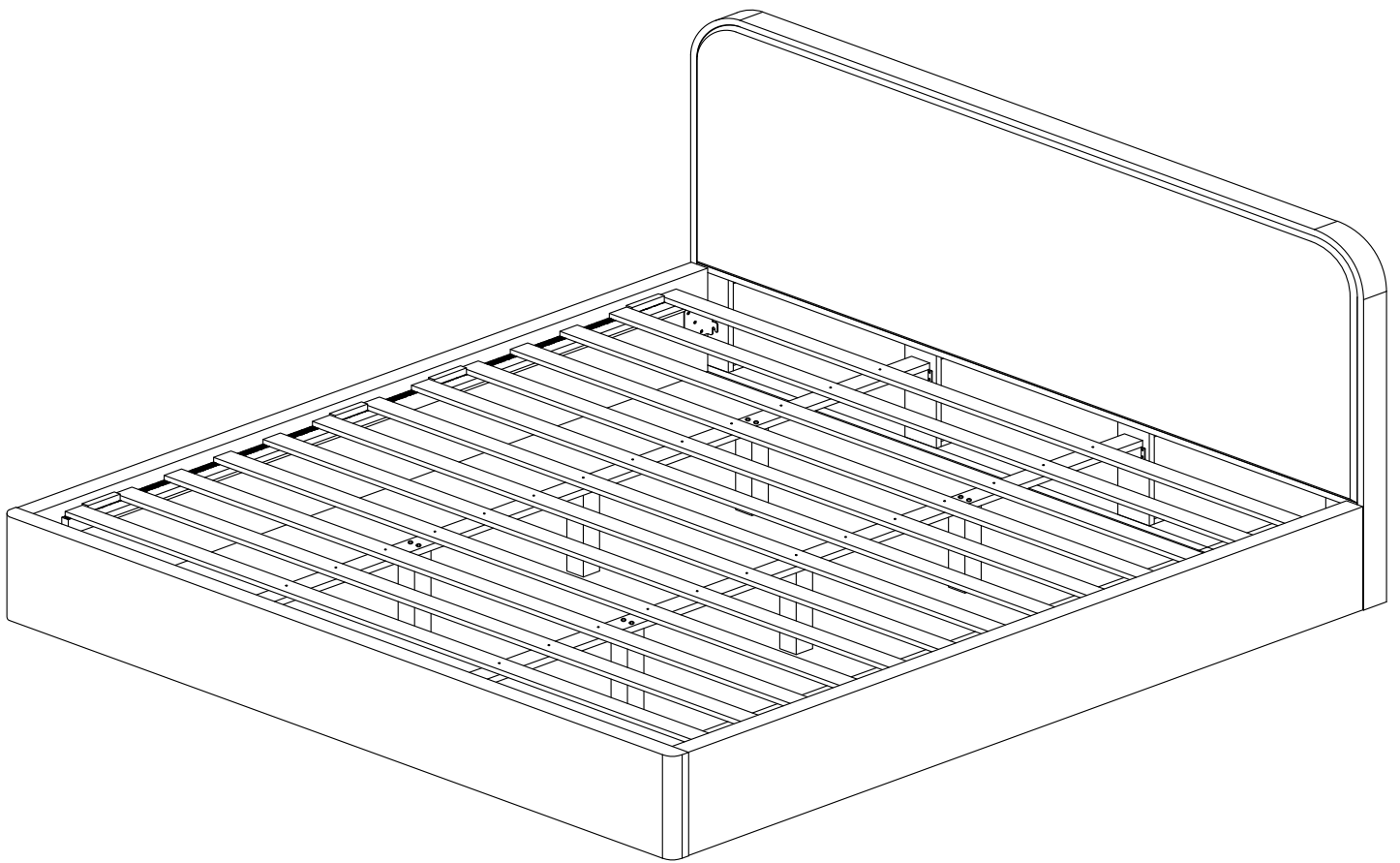


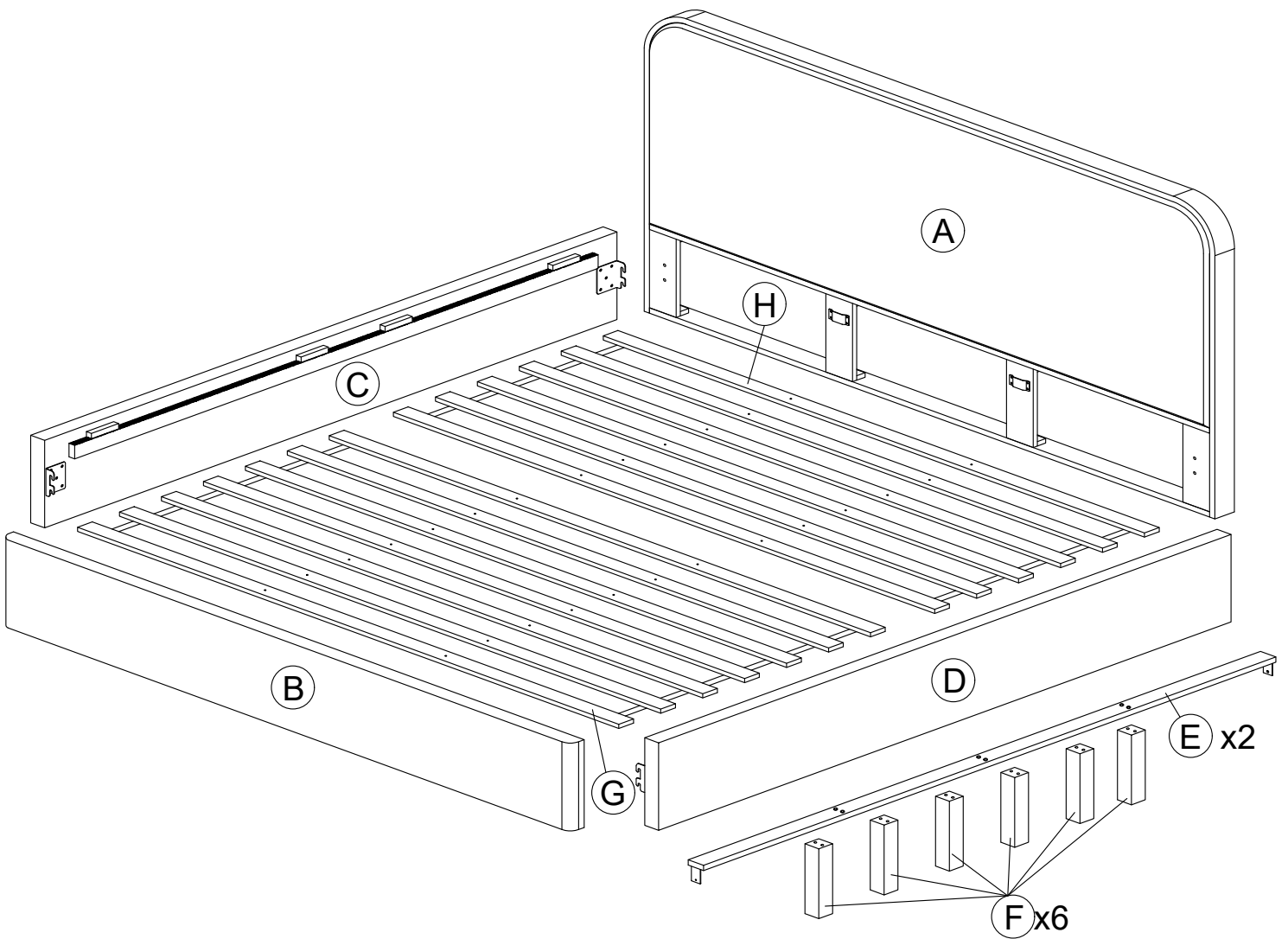
ASSEMBLY INSTRUCTION

Bed 79 (King)



ASSEMBLY INSTRUCTION

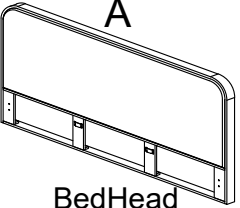
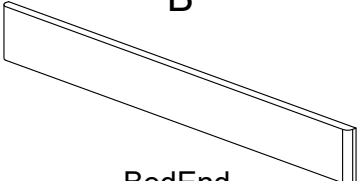
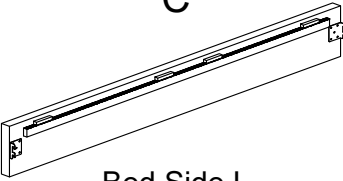
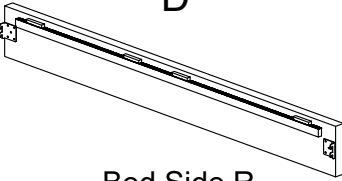
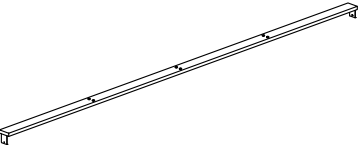

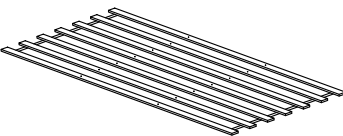
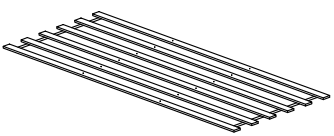
Bed 79 (King)



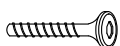
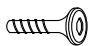




ASSEMBLY INSTRUCTION

Bed 79 (King)

PART LIST

<p>A</p>  <p>BedHead 1 PC</p>	<p>B</p>  <p>BedEnd 1 PC</p>	<p>C</p>  <p>Bed Side L 1 PC</p>	<p>D</p>  <p>Bed Side R 1 PC</p>
<p>E</p>  <p>Bed Slats Center 2 PCS</p>	<p>F</p>  <p>Bed Slats Wooden Leg 6 PCS</p>	<p>G</p>  <p>Bed Slats Rear 1 SET (7 PCS)</p>	<p>H</p>  <p>Bed Slats Front 1 SET (6 PCS)</p>

HARDWARE LIST

<p>1</p>  <p>M6x30MM JCBC Screw 12 PCS</p>	<p>2</p>  <p>M8x20MM JCBB Screw 8 PCS</p>	<p>3</p>  <p>M3.5x16MM Screw 4 PCS</p>	<p>4</p>  <p>M4x30MM Screw 26 PCS</p>
<p>5</p>  <p>M4 Allen Key 1 PC</p>	<p>6</p>  <p>M5 Allen Key 1 PC</p>		

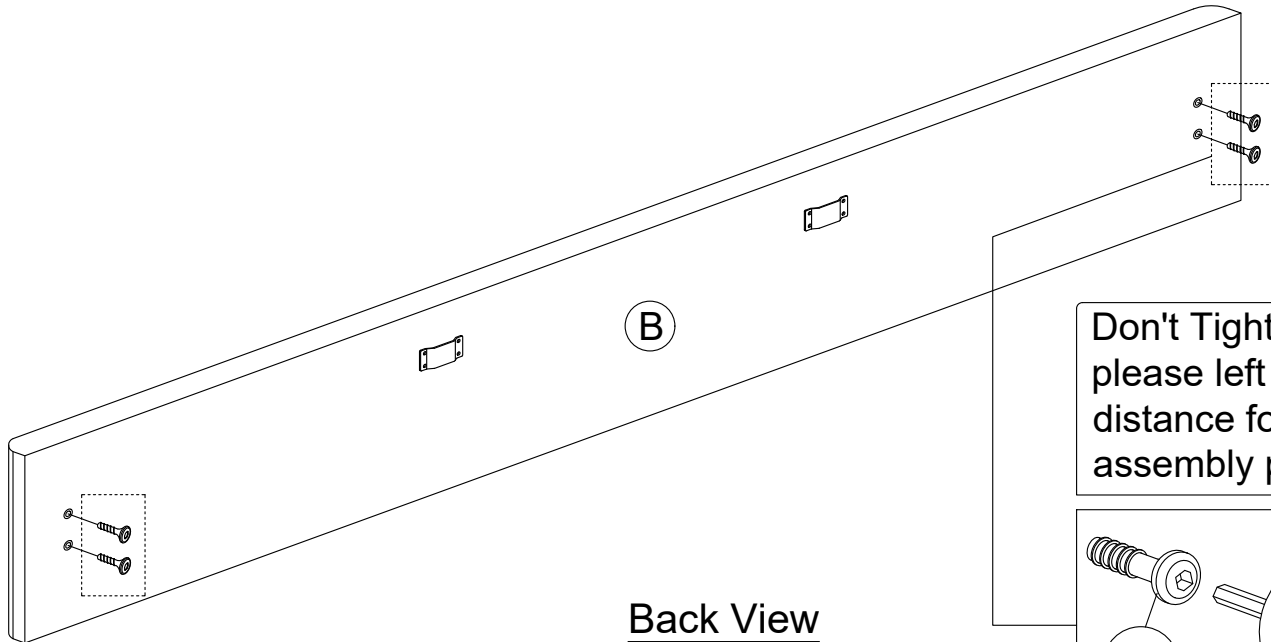
ASSEMBLY INSTRUCTION

Step 1

Required/Requis/Requerido

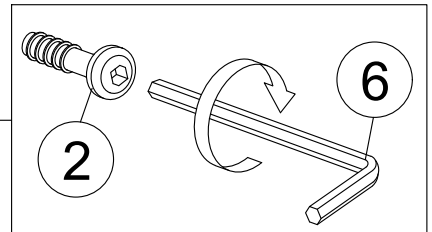
x1  6

x4  2



Back View

Don't Tighten until end, please left 2-5mm distance for next step assembly part

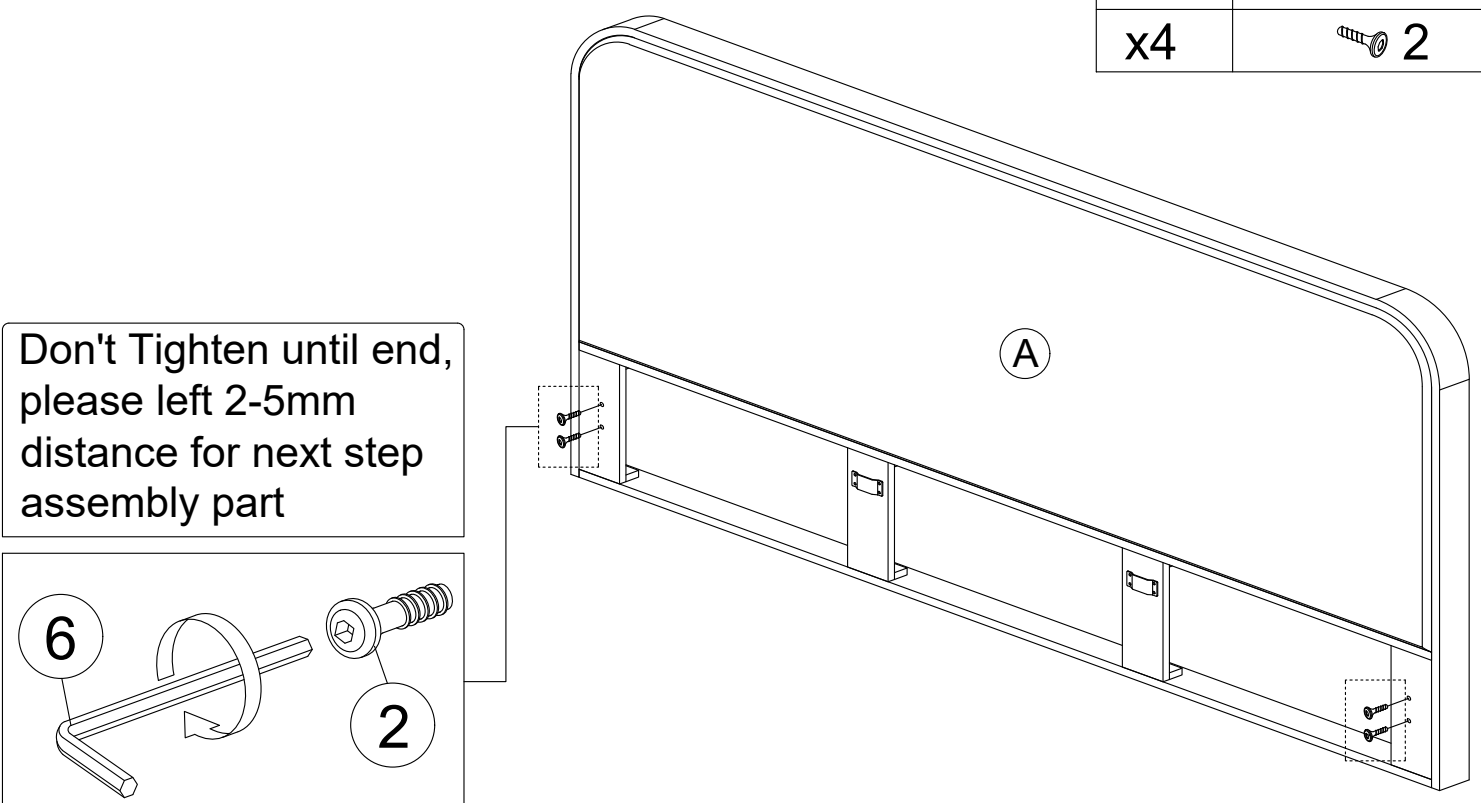


Step 2

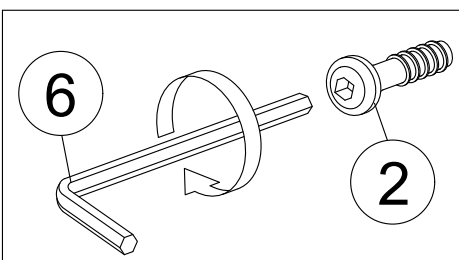
Required/Requis/Requerido

x1  6

x4  2



Don't Tighten until end, please left 2-5mm distance for next step assembly part

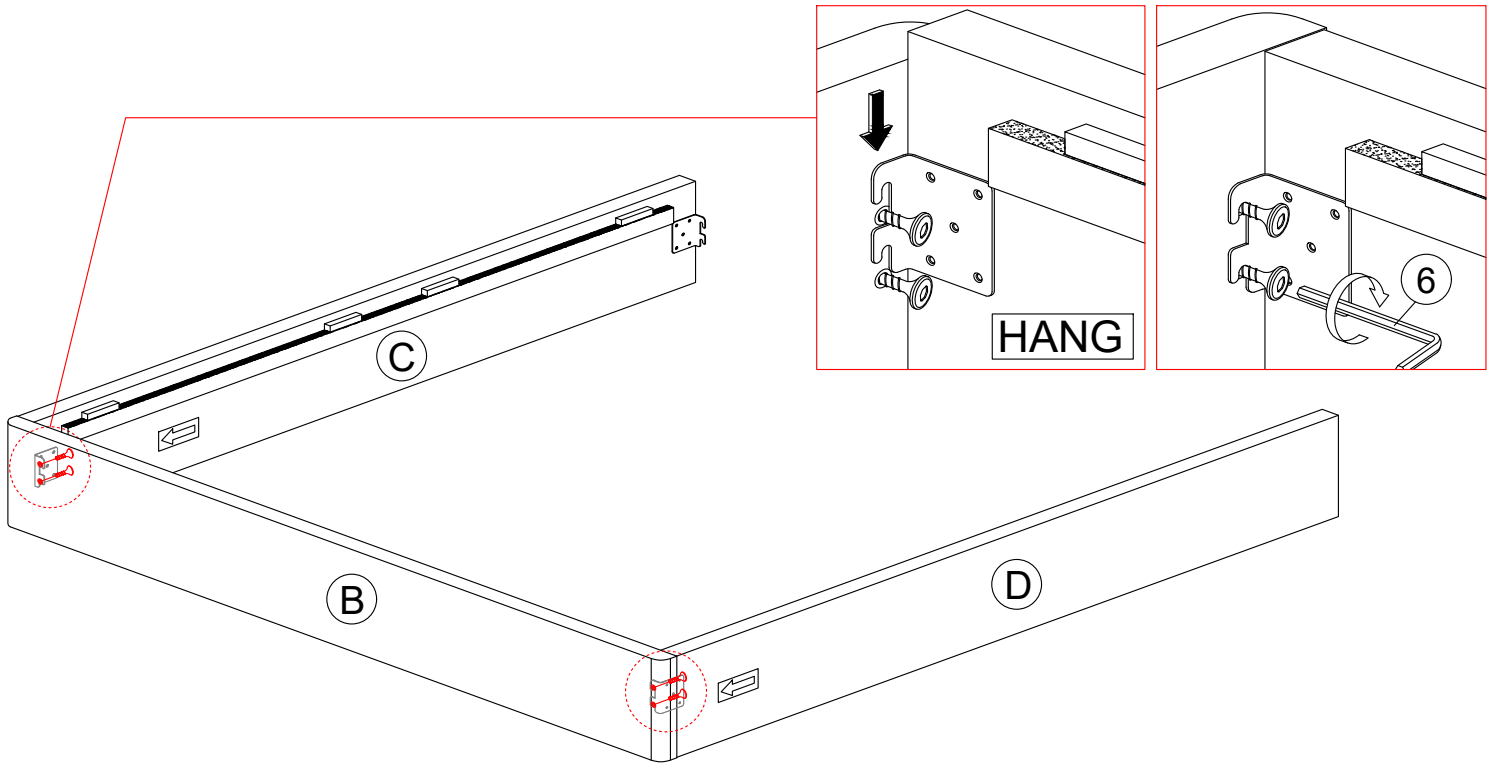


ASSEMBLY INSTRUCTION

Step 3

Required/Requis/Requerido

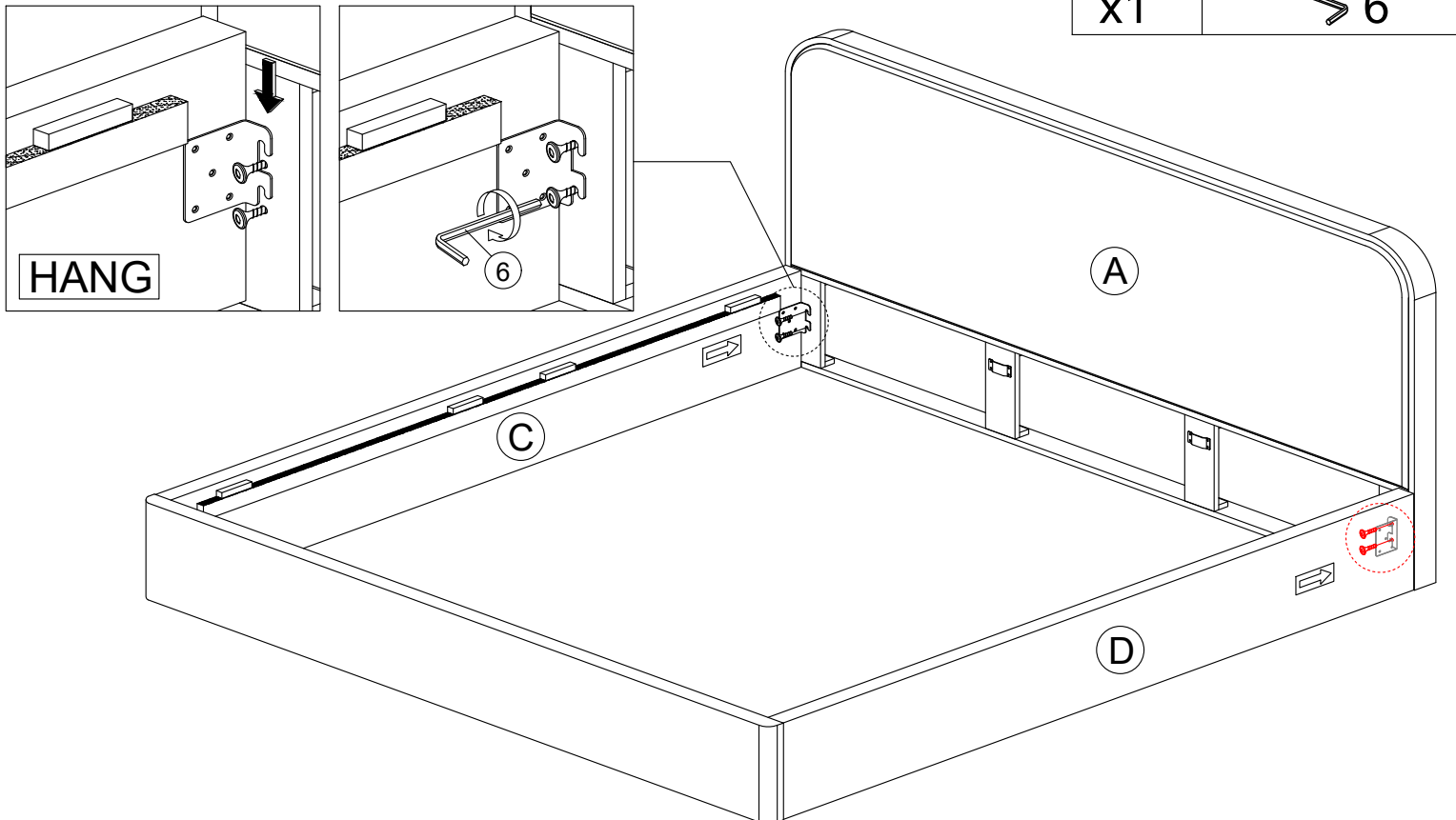
x1



Step 4

Required/Requis/Requerido

x1



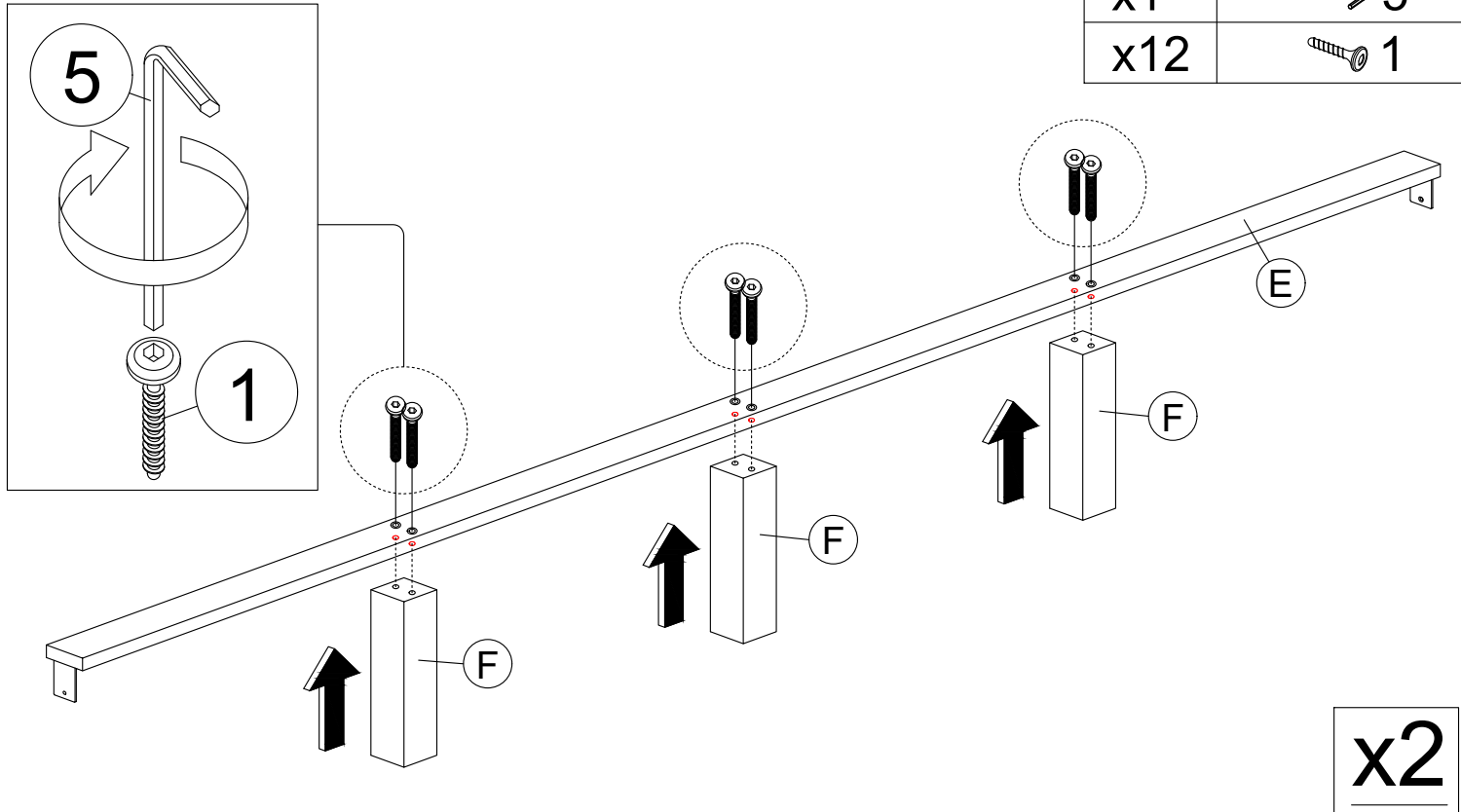
ASSEMBLY INSTRUCTION

Step 5

Required/Requis/Requerido

x1  5

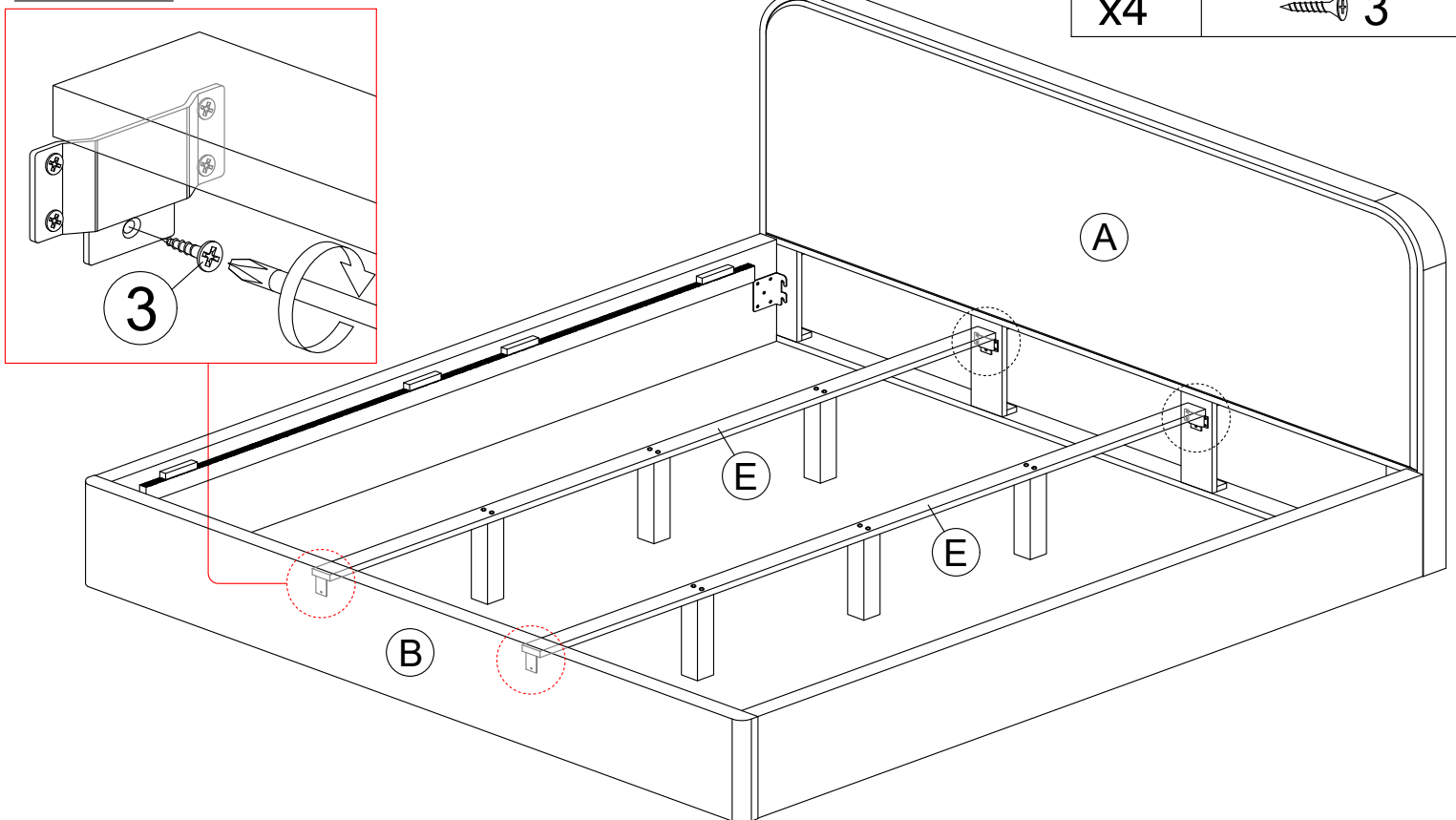
x12  1



Step 6

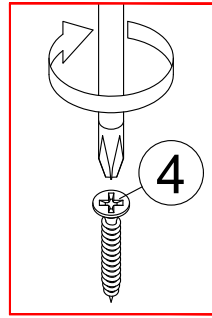
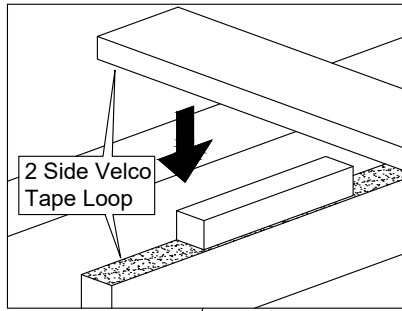
Required/Requis/Requerido

x4  3



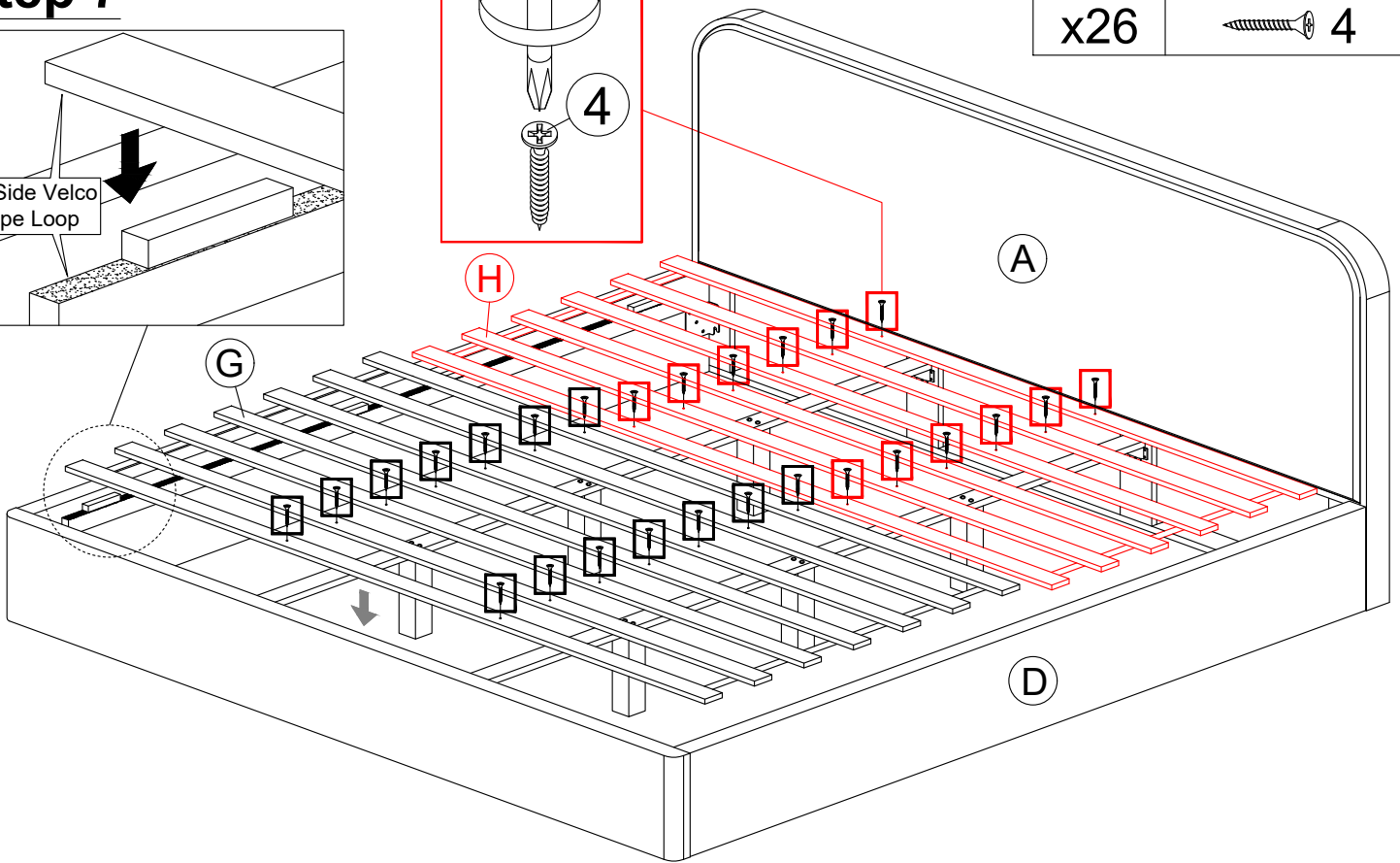
ASSEMBLY INSTRUCTION

Step 7



Required/Requis/Requerido

x26



Completed

