













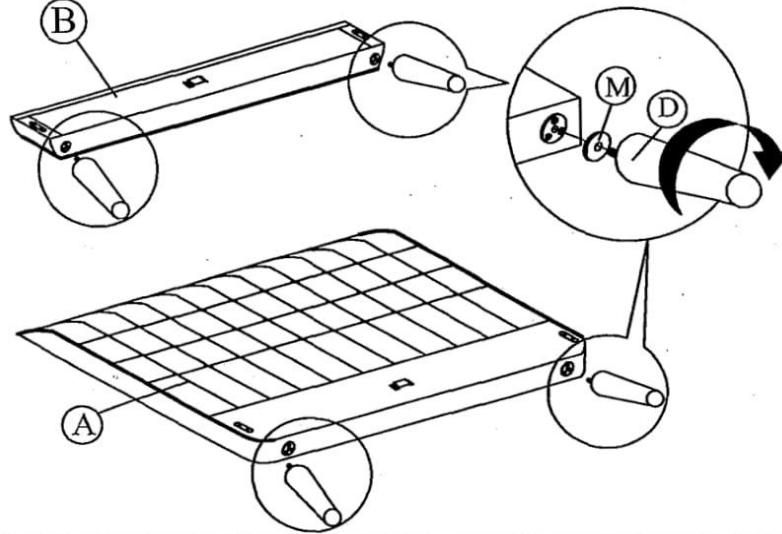


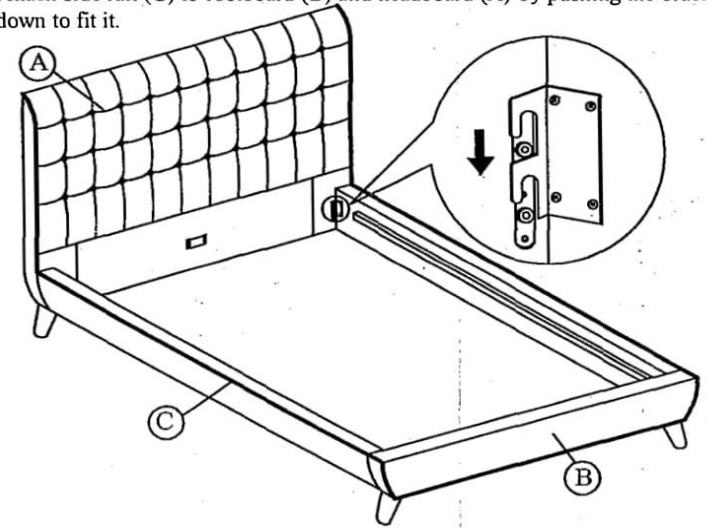
ASSEMBLY INSTRUCTIONS

A		1 pc
B		1 pc
C		2 pcs
D		4 pcs
E		1 pc
F		3 pcs
G		28 pcs
H		14 pcs
I		28 pcs
J		3 pcs
	ICBC M6 x 40	
K	 	1 pc
	M5 x 70mm M4 x 65mm	
L		2 pcs
	CSK M4 x 25mm	
M		4 pcs
	NO 35 Washers	

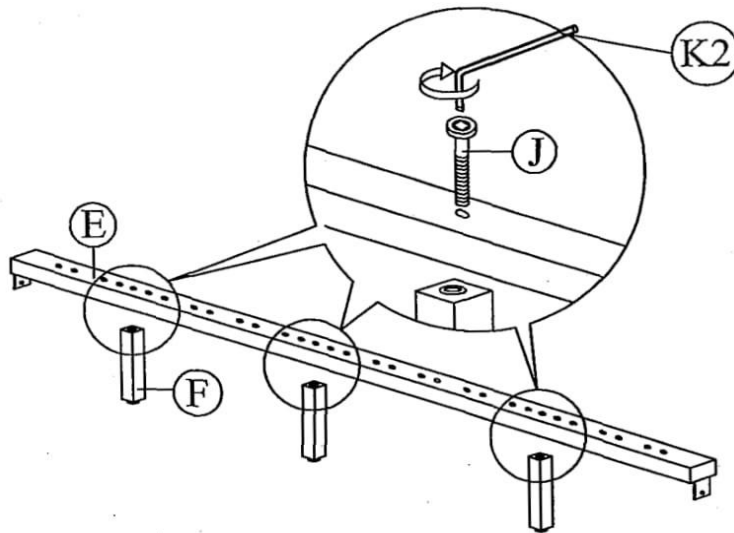
Step 1: Install the legs (D) to footboard (B) and headboard (A).



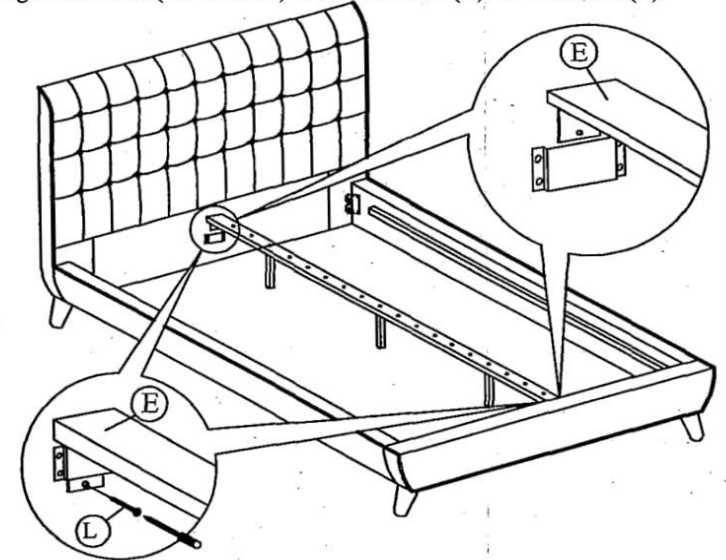
Step 2: Attach side rail (C) to footboard (B) and headboard (A) by pushing the bracket down to fit it.



Step 3: Attach the support legs (F) to the center rail (E) of the bed as shown.



Step 4: Slide the center rail (E) to the headboard (A) and footboard (B). Tighten screws (L) using screw driver (not included) to the headboard (A) and footboard (B).



Step 5: Tighten all the 4 corner ,follow by assembly of the slat holders with LVL slats as shown.

