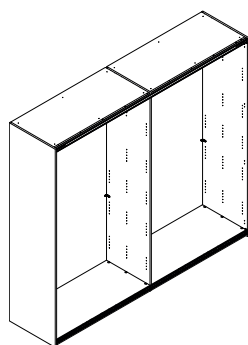
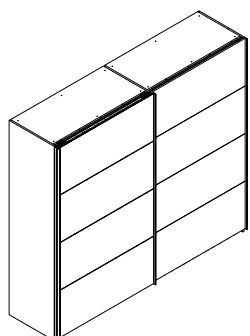


# AR8997/AR9004/AR9007 +CF8990

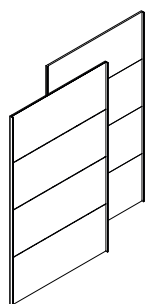


www.fsc.org

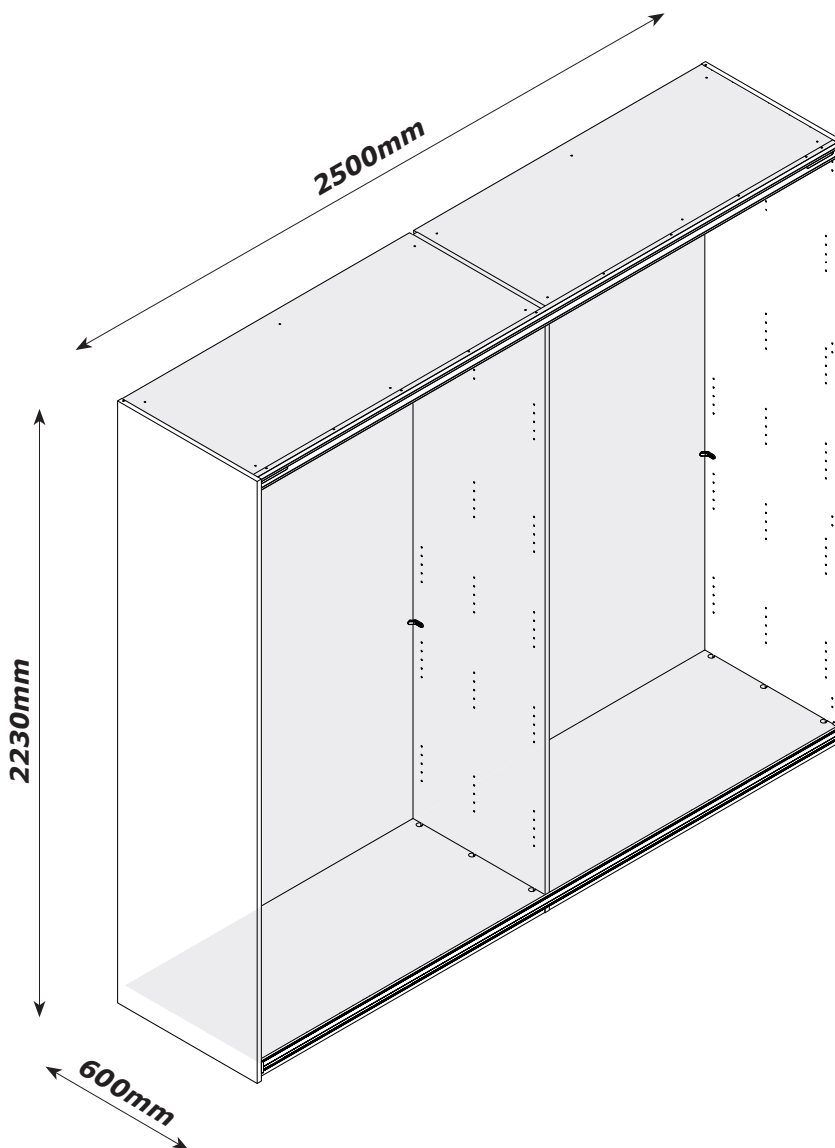
MIX  
Wood from  
responsible sources  
FSC® C011298



AR8972K  
+  
AR8969K



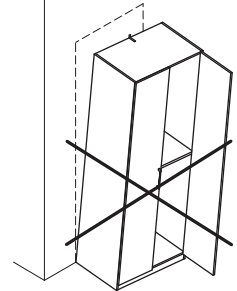
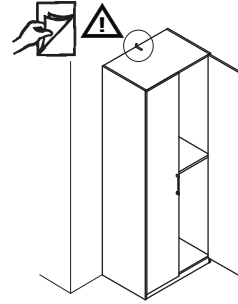
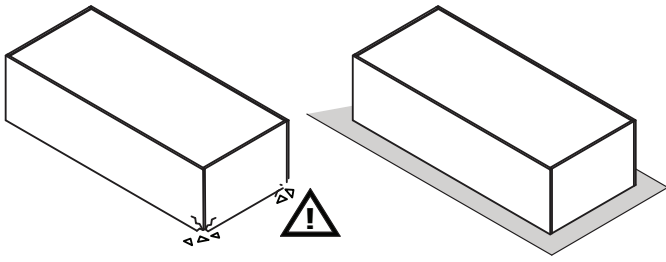
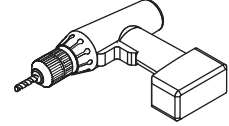
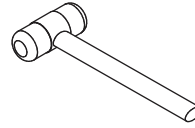
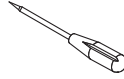
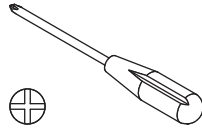
2x AN



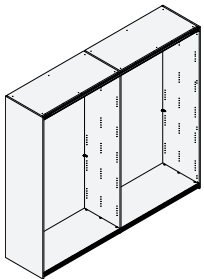
QF5545-1



4h



## CF8990



**K185** x1  
L. 2471mm

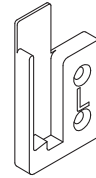


**K186** x1  
L. 2468mm



**W605** x2  
L. 1220mm

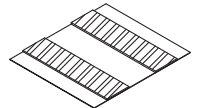
## CF0227



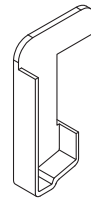
**h** x1  
30x6x53mm



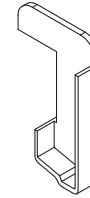
**i** x1  
30x6x53mm



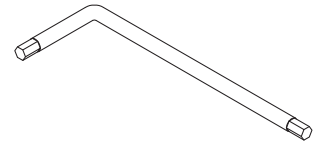
**j** x1  
9x35x0,5mm



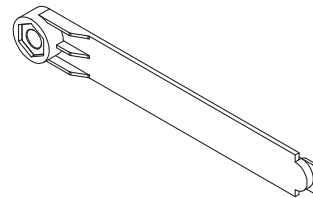
**k** x1  
32,5x9x51,5mm



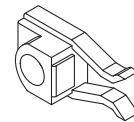
**l** x1  
32,5x9x51,5mm



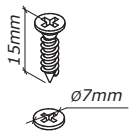
**H176**  
x1



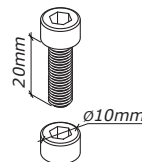
**m** x2  
118x9,5x15mm



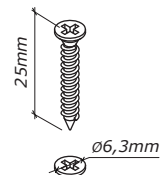
**n** x2  
42x15x21mm



**V5**  
x14



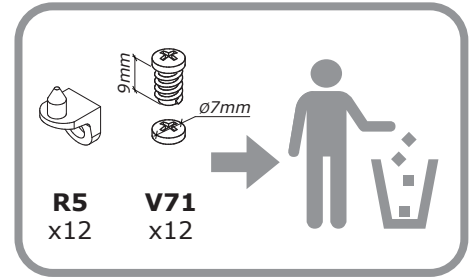
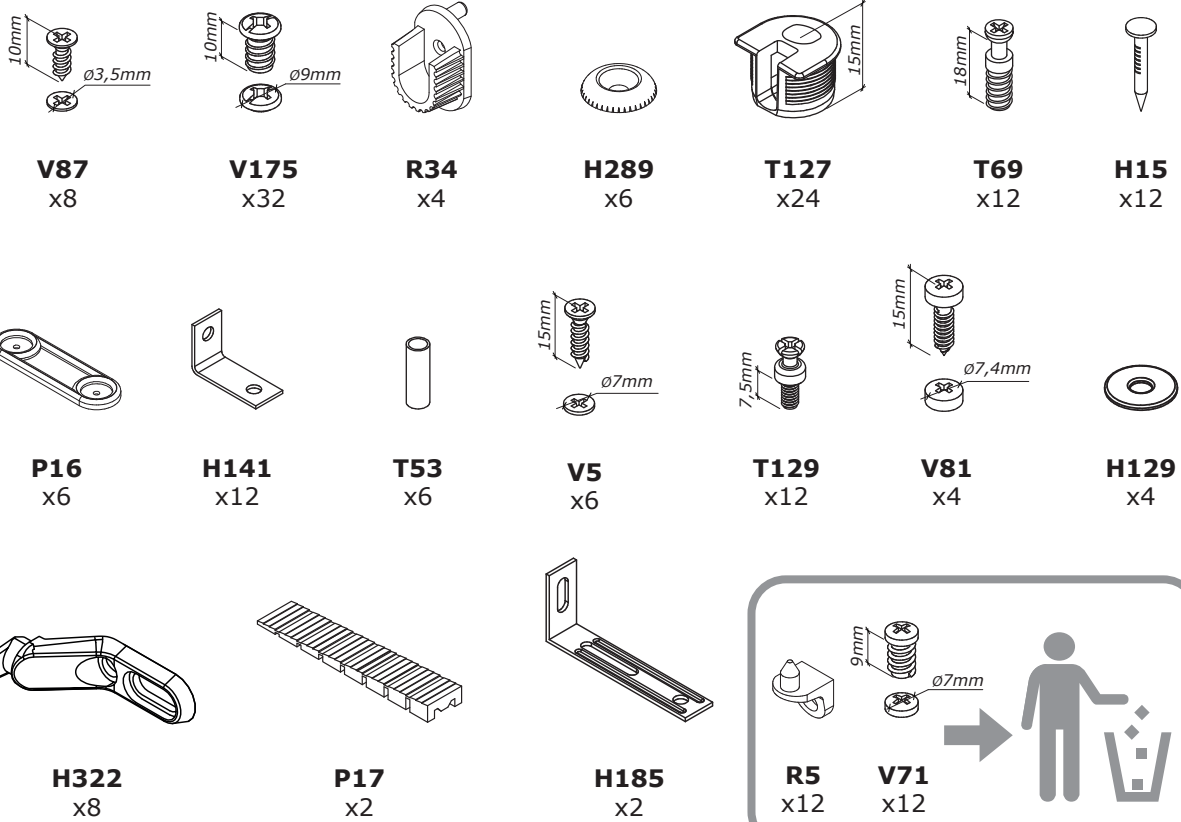
**V188**  
x2



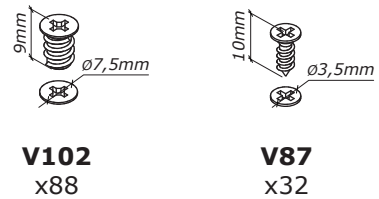
**V119**  
x10

# CF8990

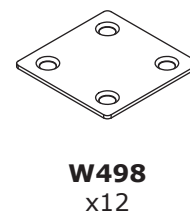
## BU4631



## BU4631



## CF0198

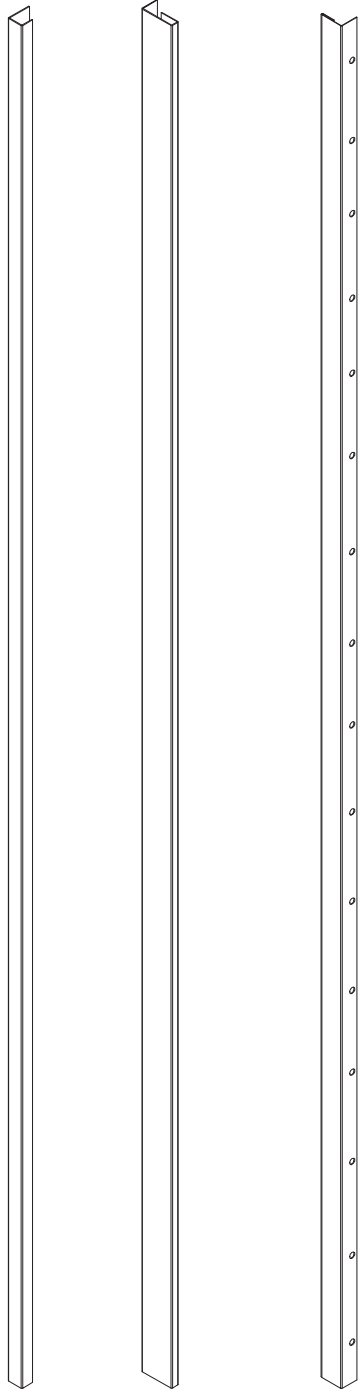
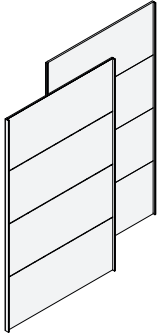


**H203** x1  
 L. 2170mm

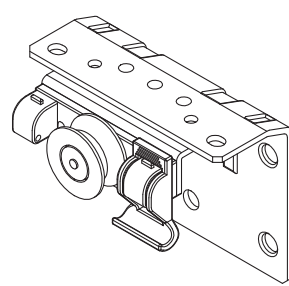
# CF8990

CF

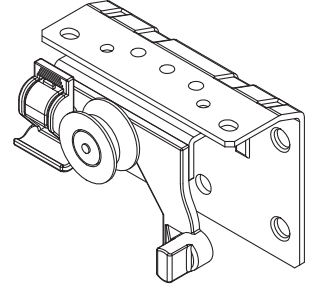
CF0227



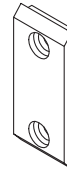
**M1** x1 L. 2178mm    **M2** x3 L. 2178mm    **FW** x1 L. 2178mm



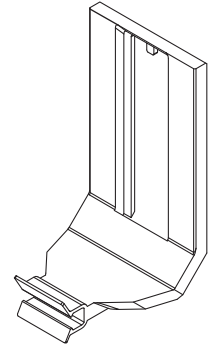
**a** x1  
80x51x60mm



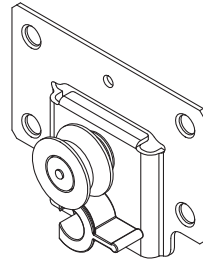
**b** x1  
80x51x60mm



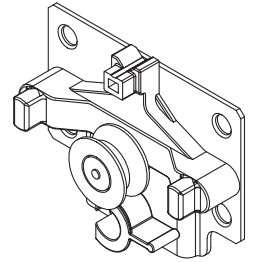
**c** x4  
21x5x49mm



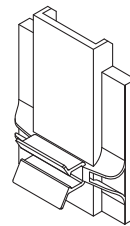
**d** x2  
44x48x84mm



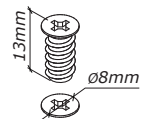
**e** x1  
80x22x60mm



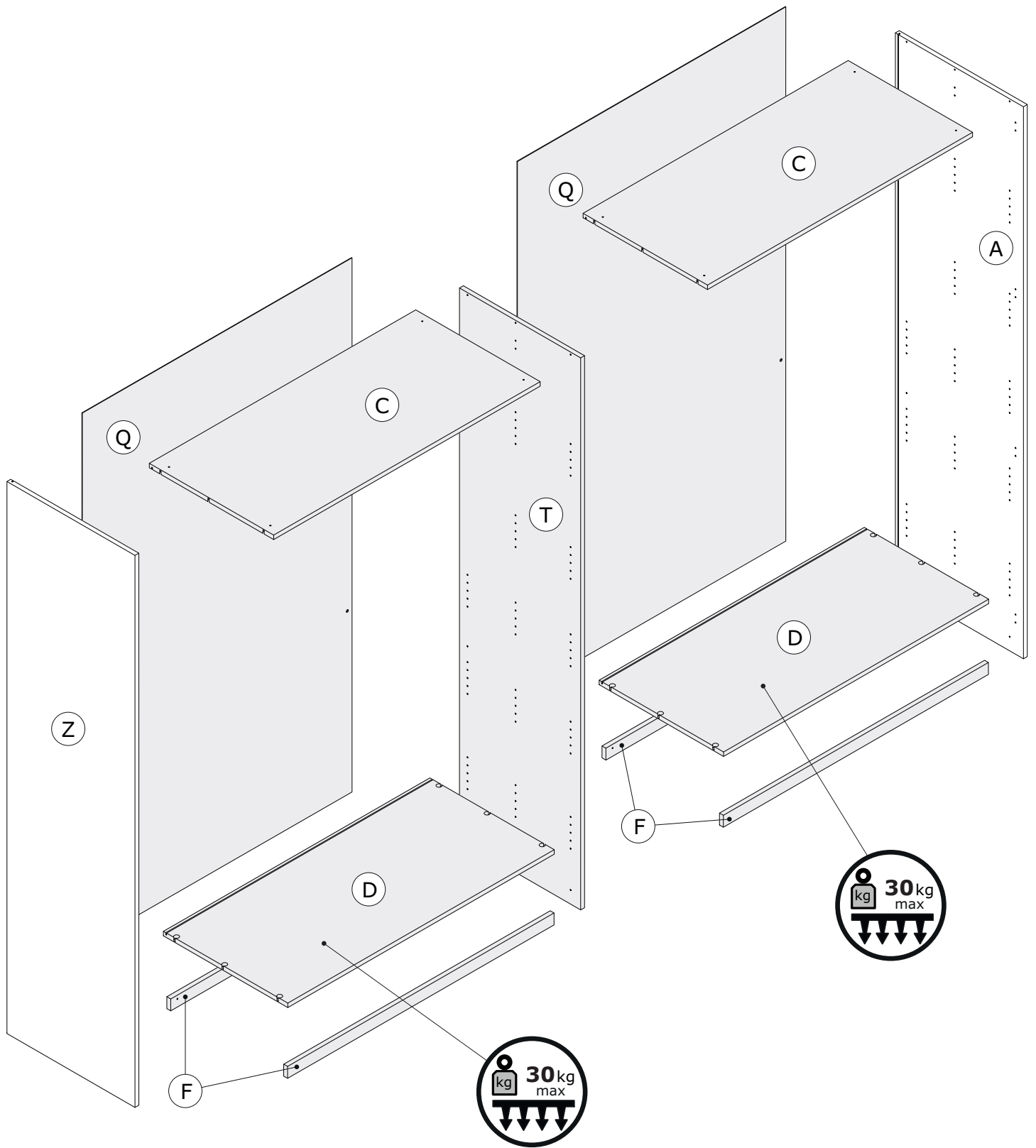
**f** x1  
80x22x62mm



**g** x2  
44x19x60mm

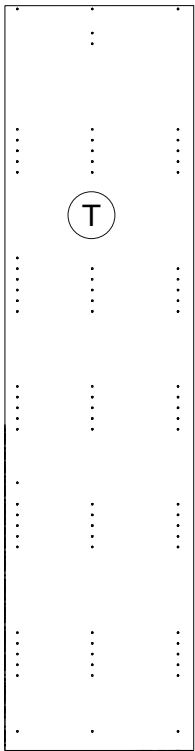


**V187**  
**X24**

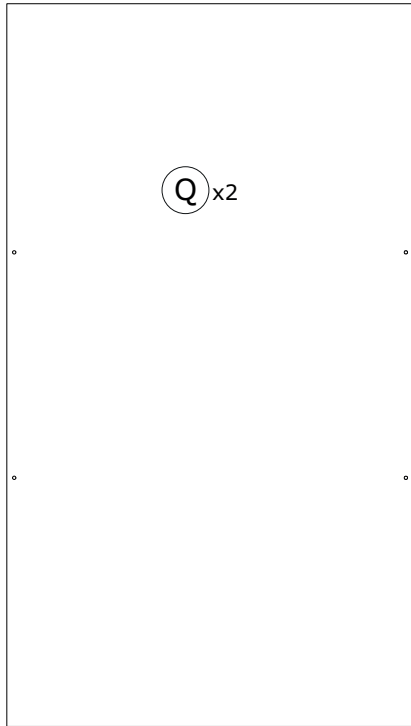


**AR8972K7670423**

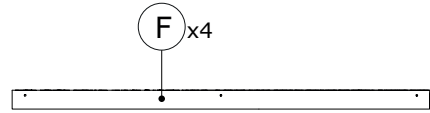
**AR8972K7670433**



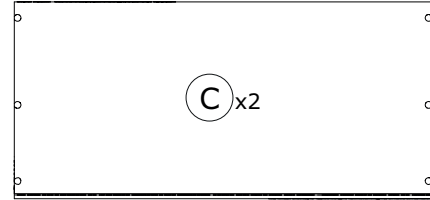
**TR2360**  
2226x564x18mm



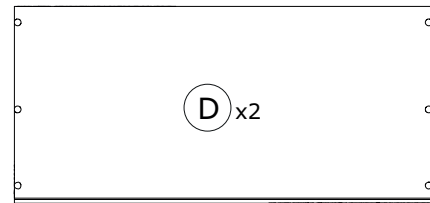
**SS0781**  
2154x1243x2,3mm



**Z01647**  
1228x48x18mm

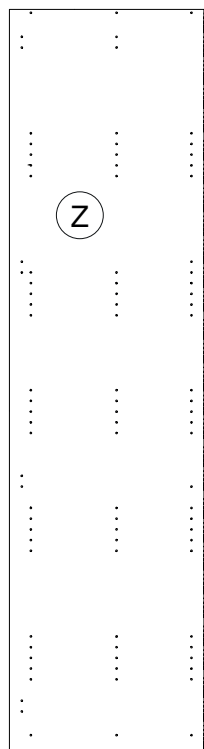
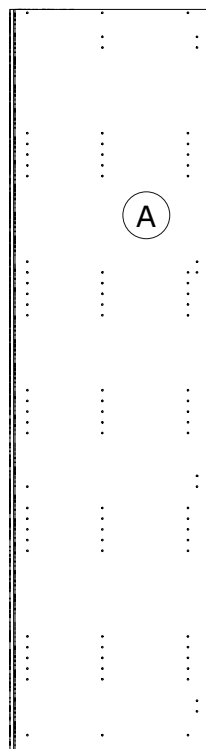


**PI7343**  
1228x579x18mm

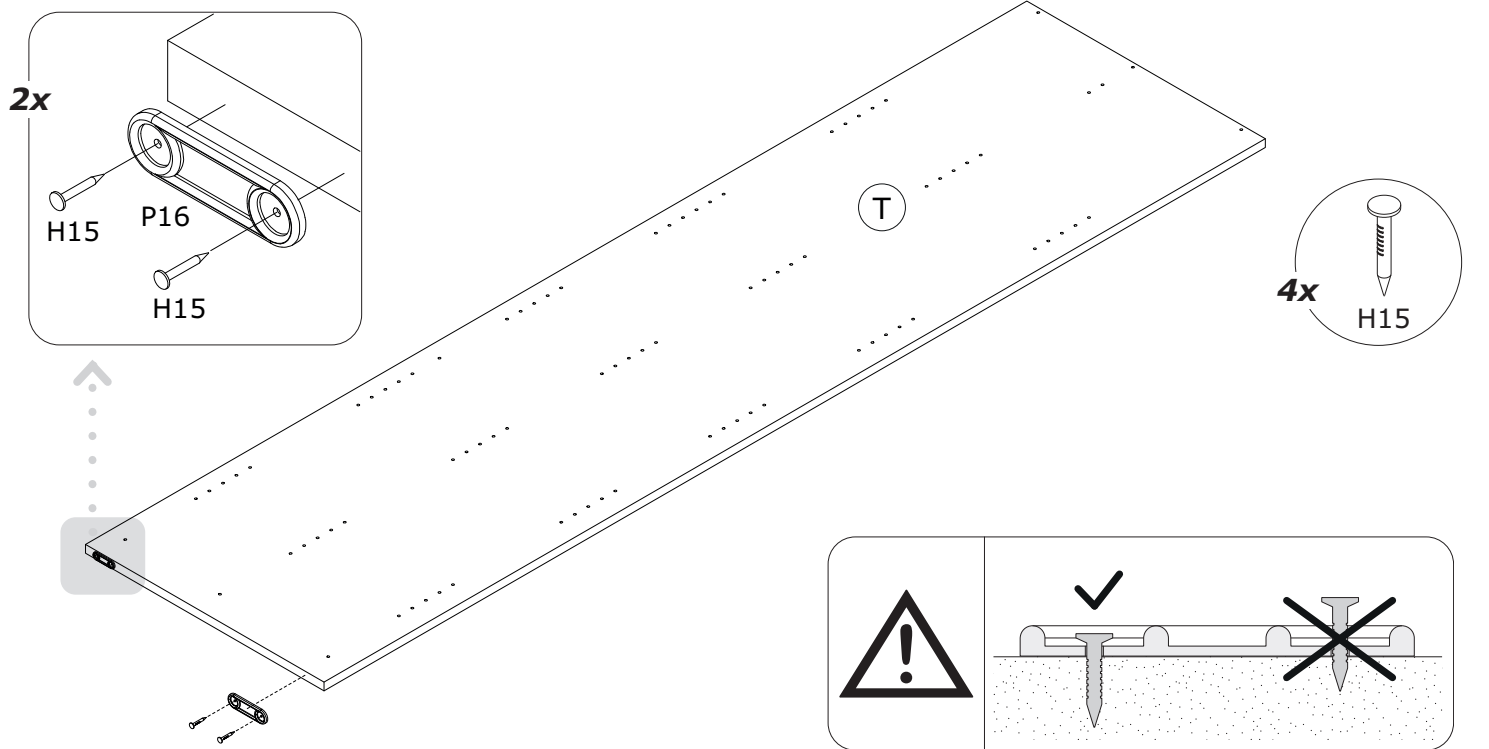


**PI7343**  
1228x579x18mm

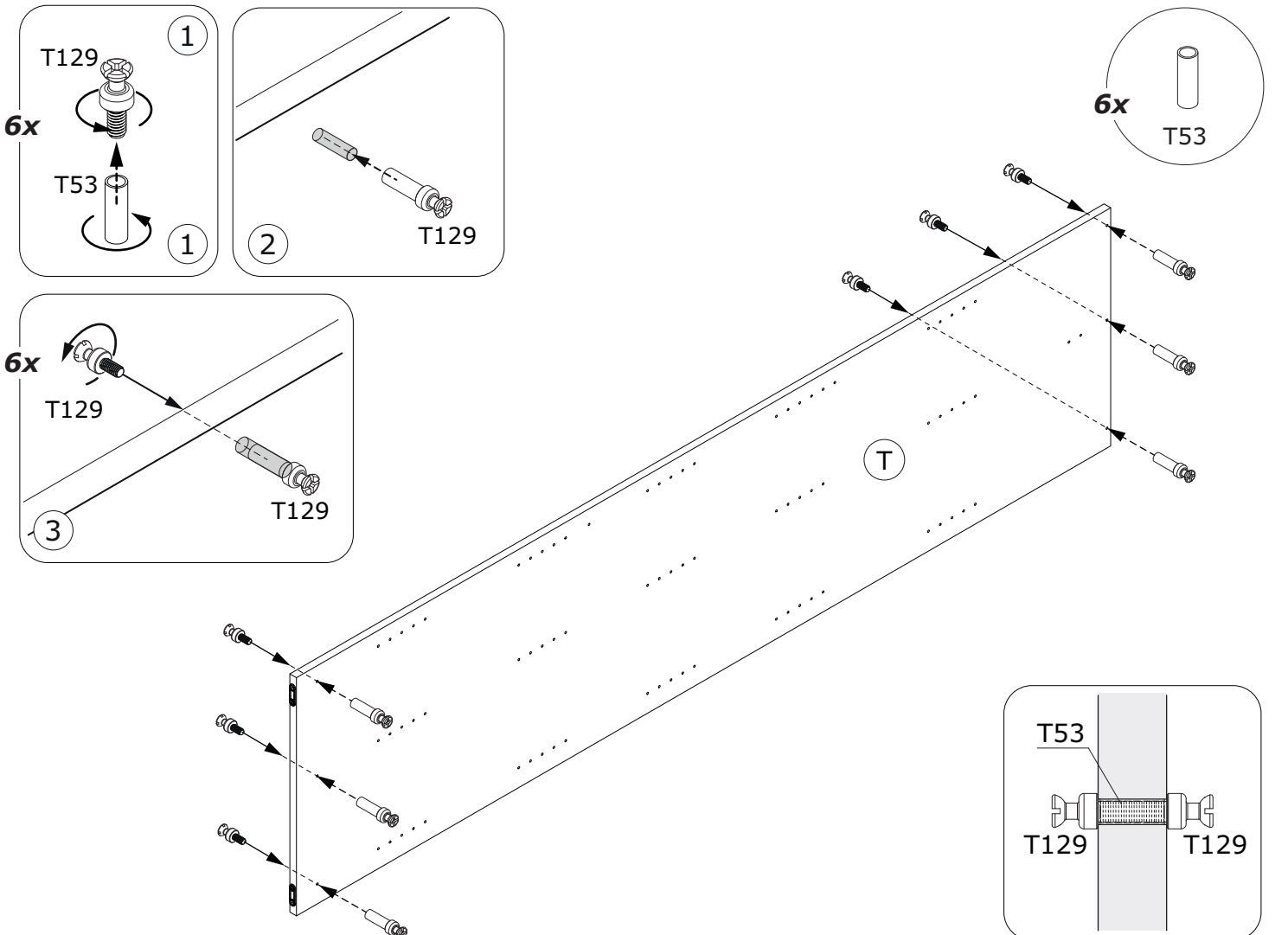
**AR8969K6220413**



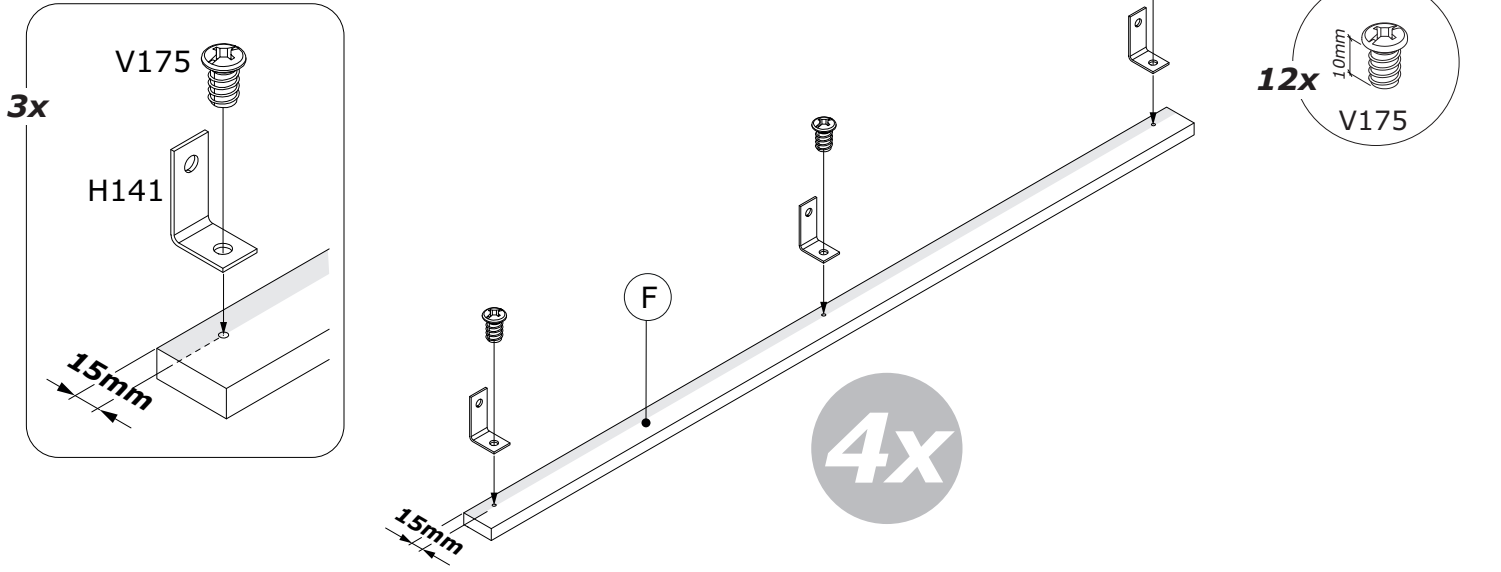
1



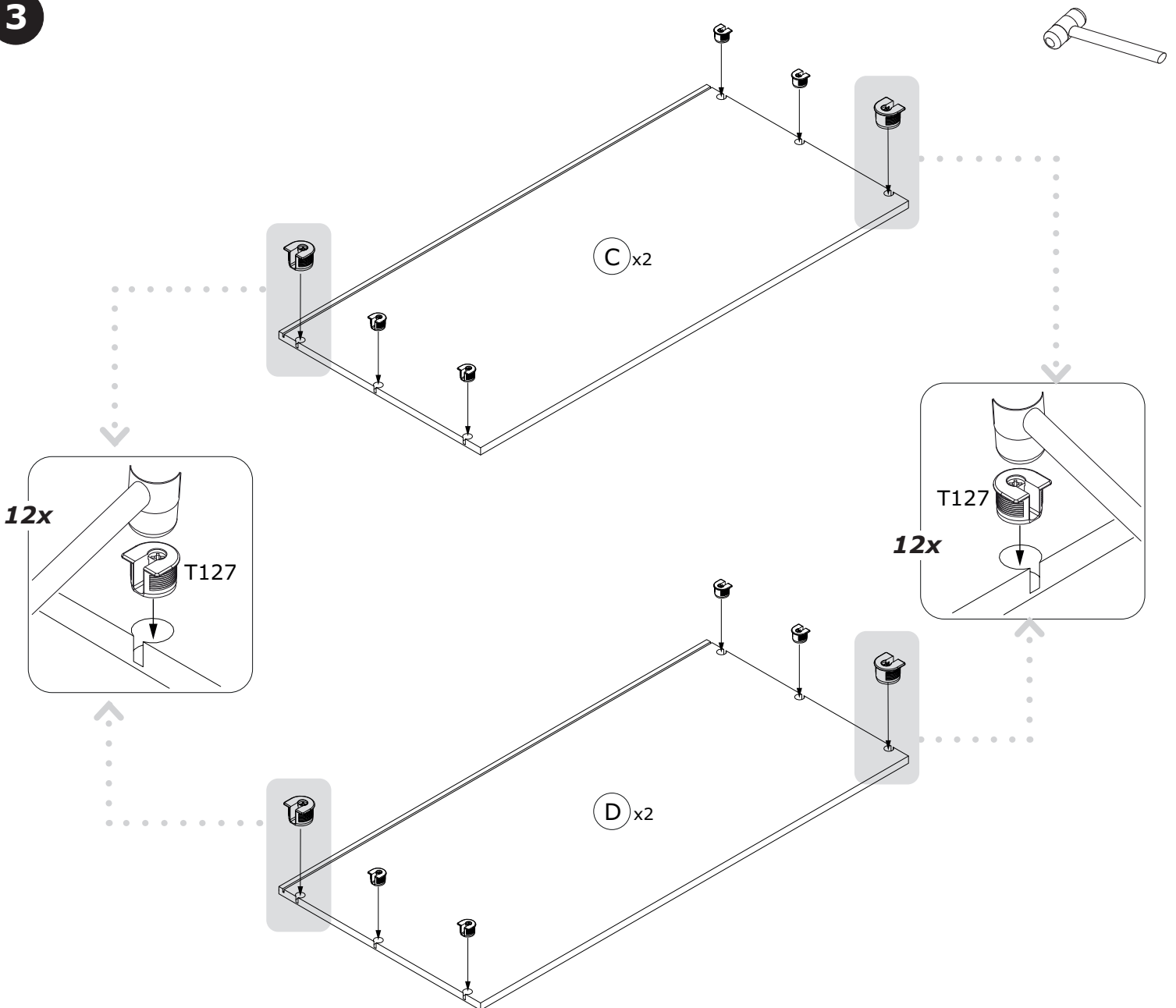
2



4

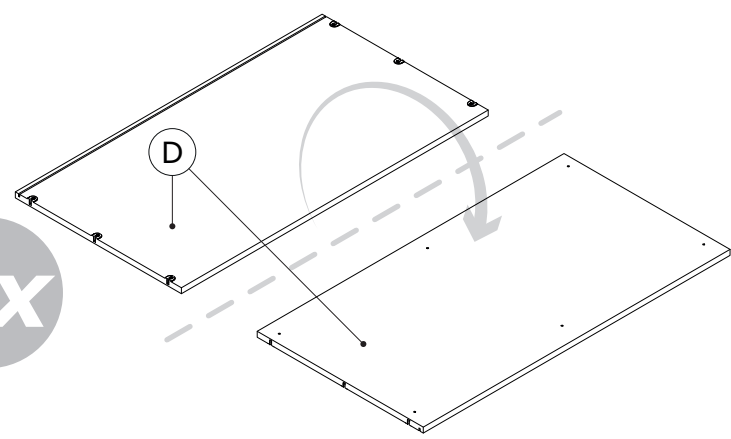


3

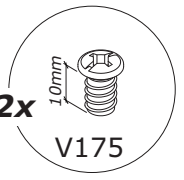


5

2x

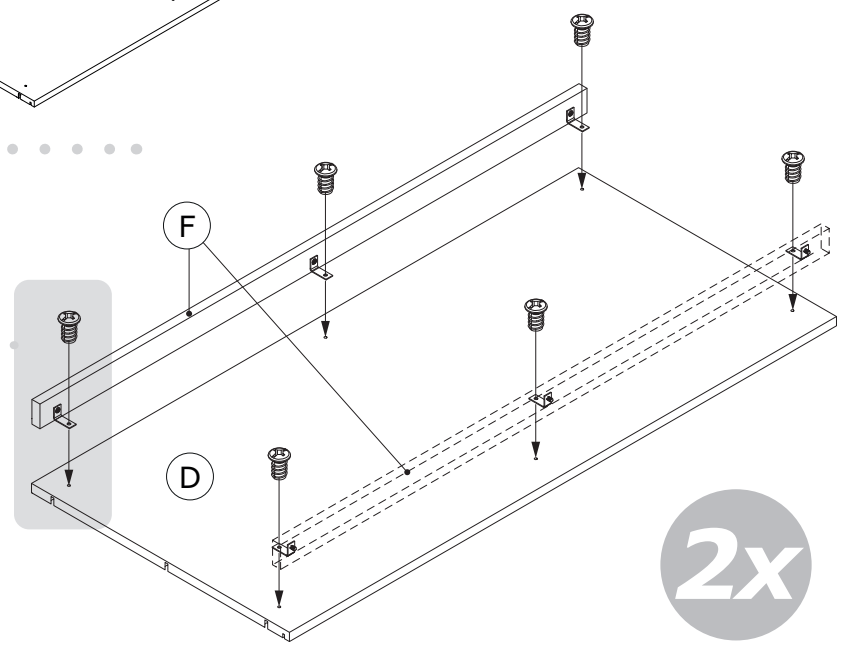
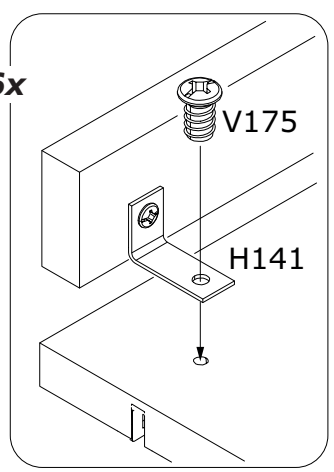


12x



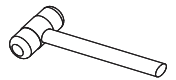
2x

6x

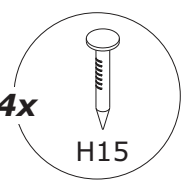


6

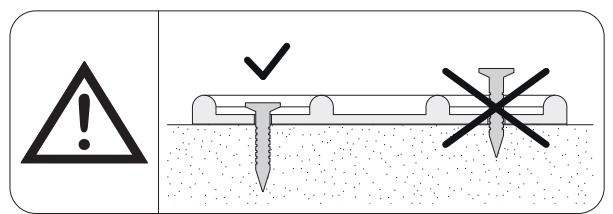
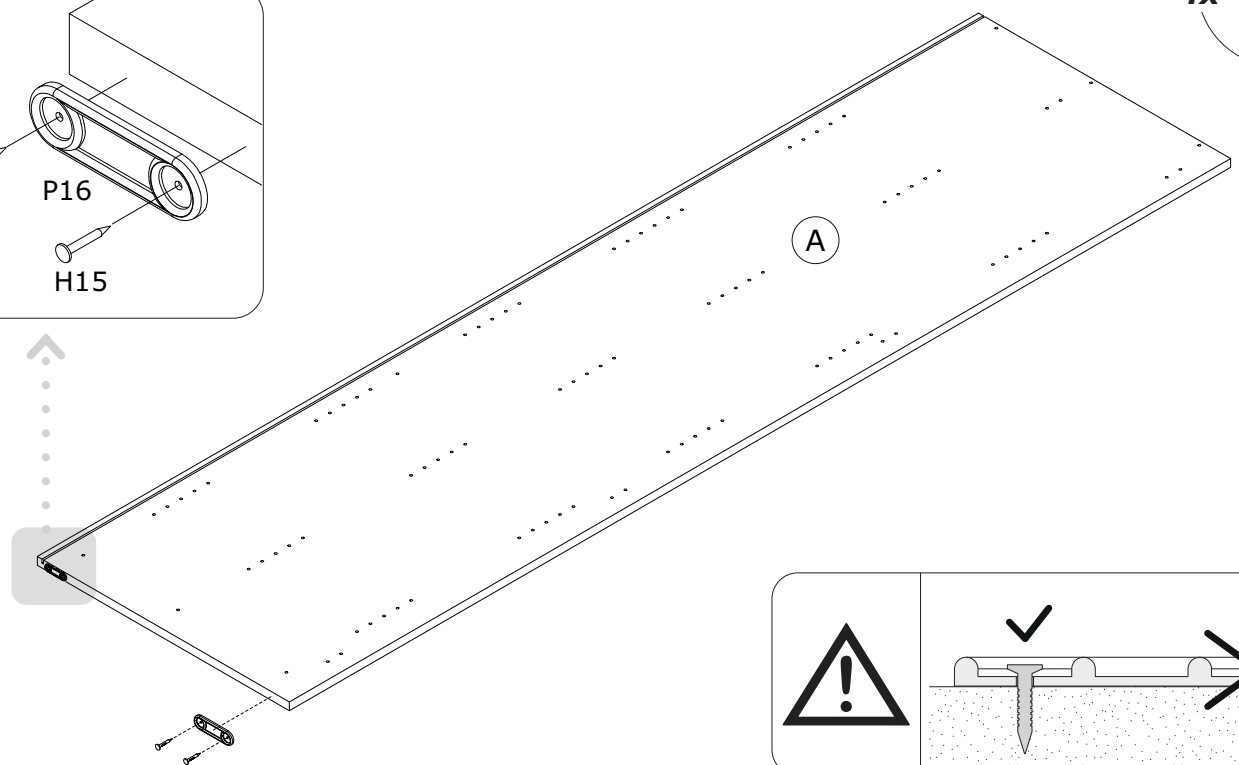
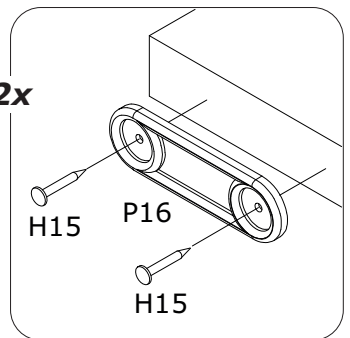
AR8969K6220413



4x

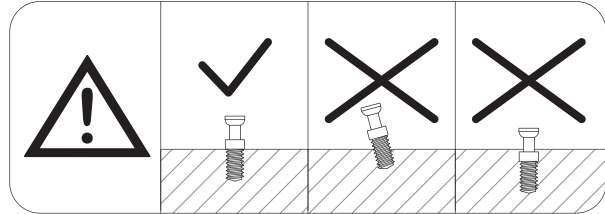
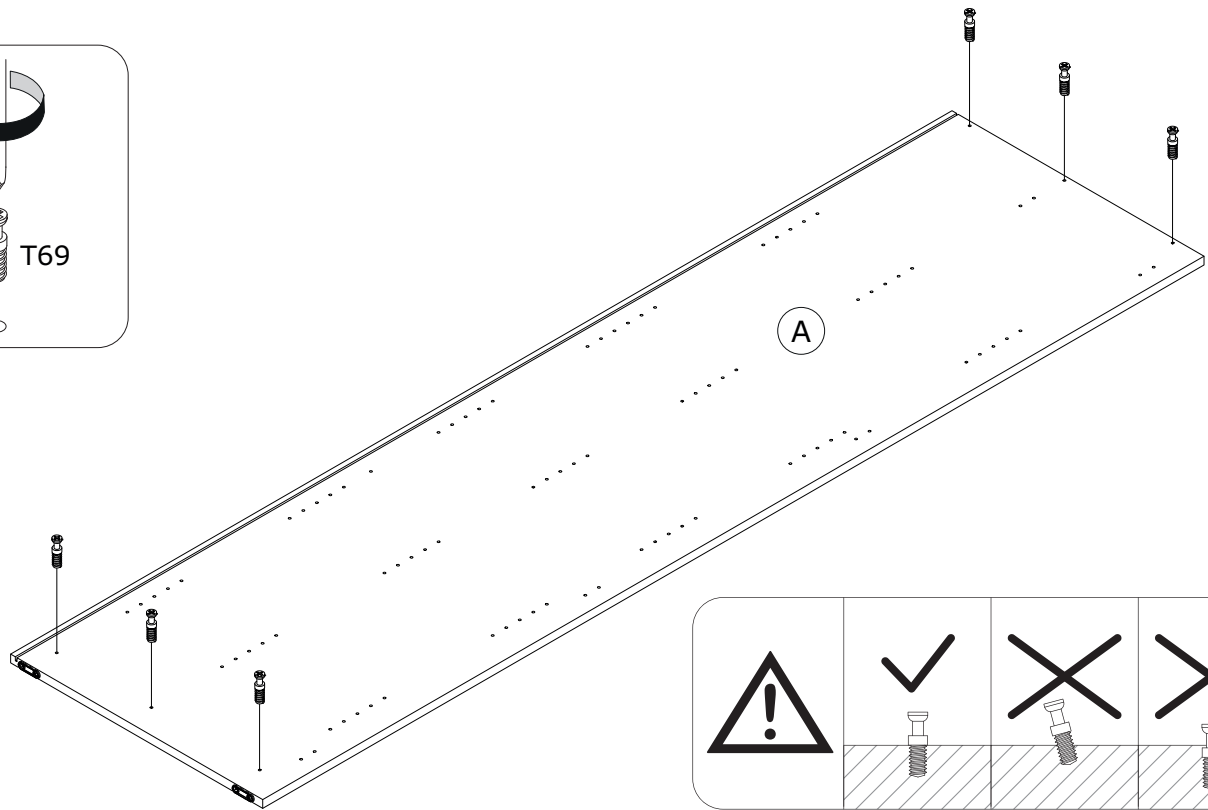
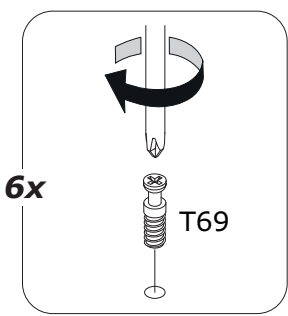
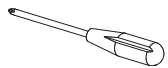


2x

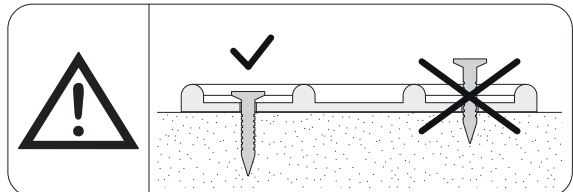
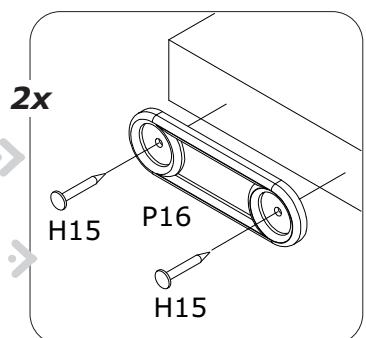
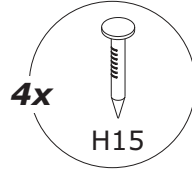
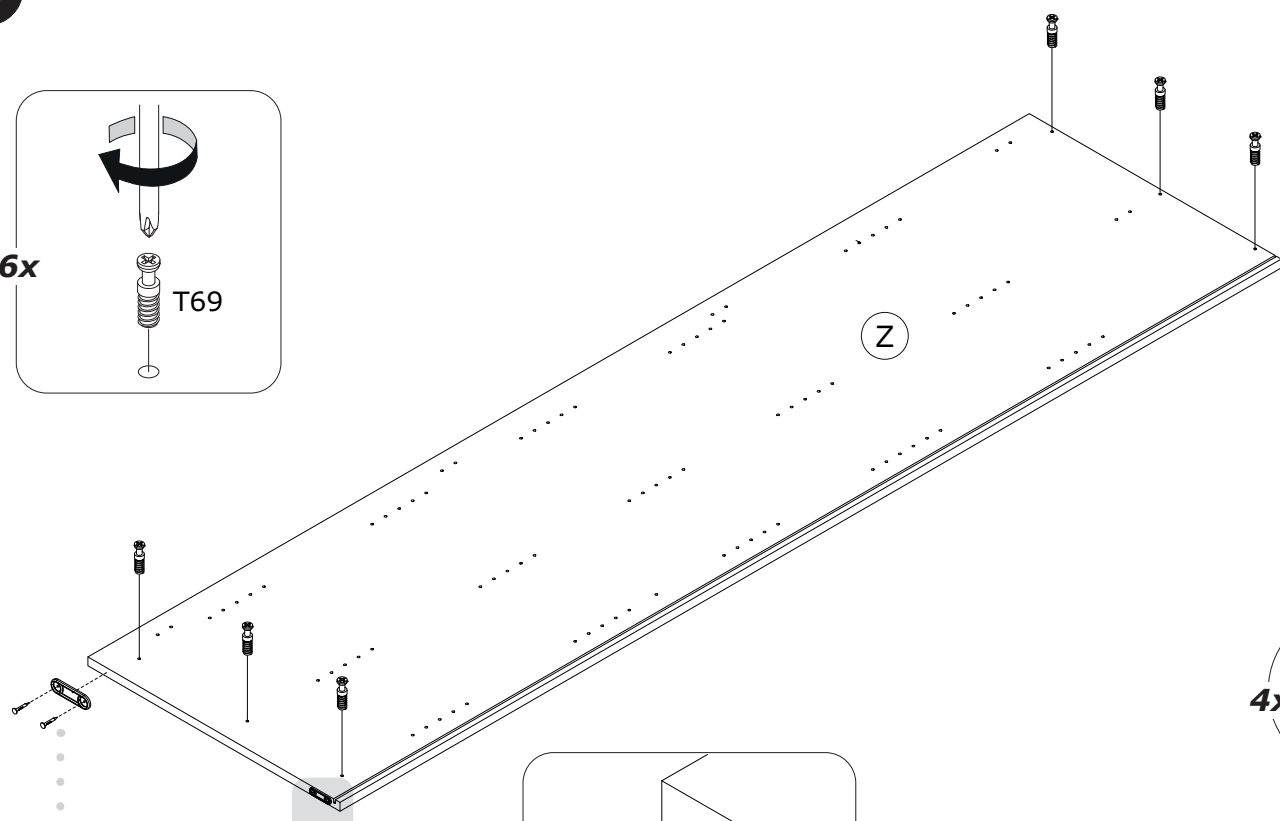
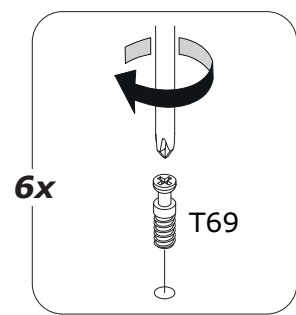
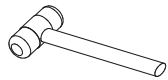


7

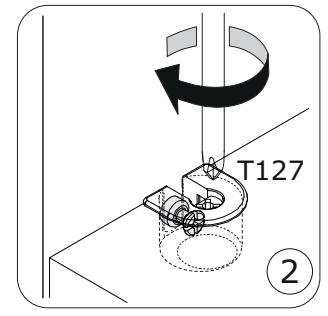
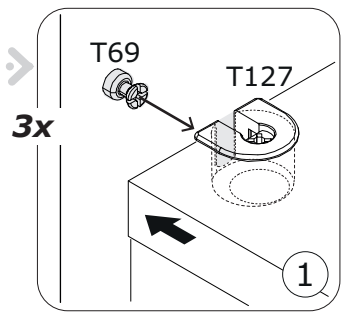
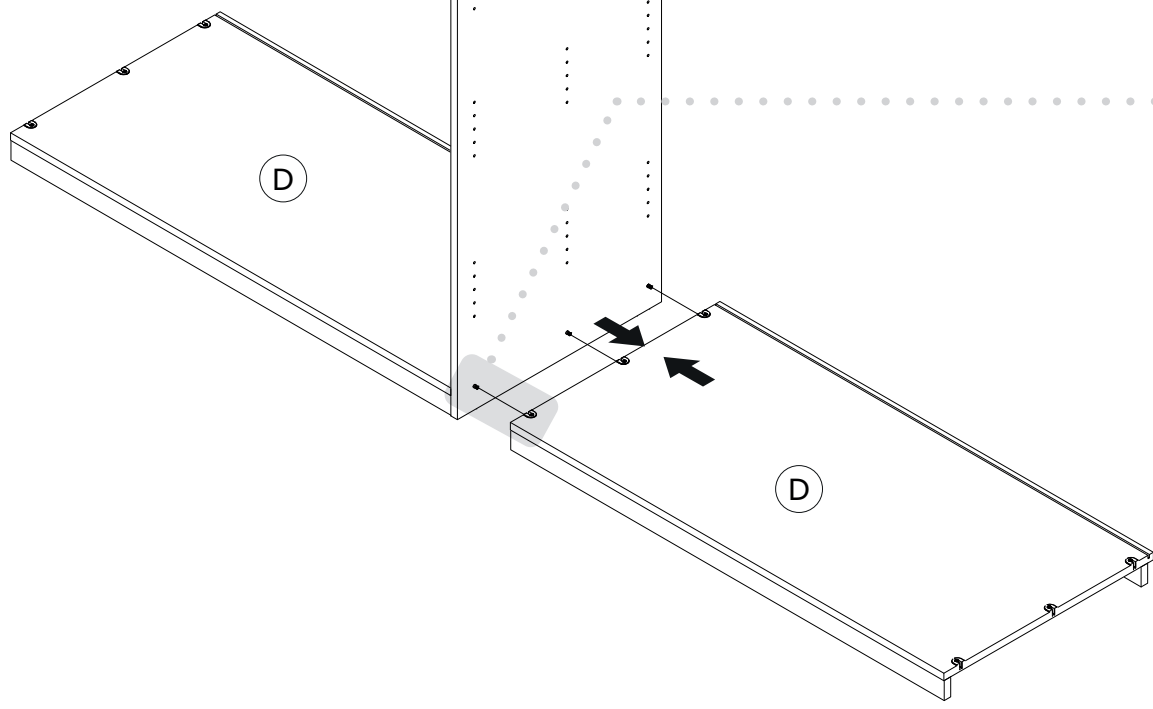
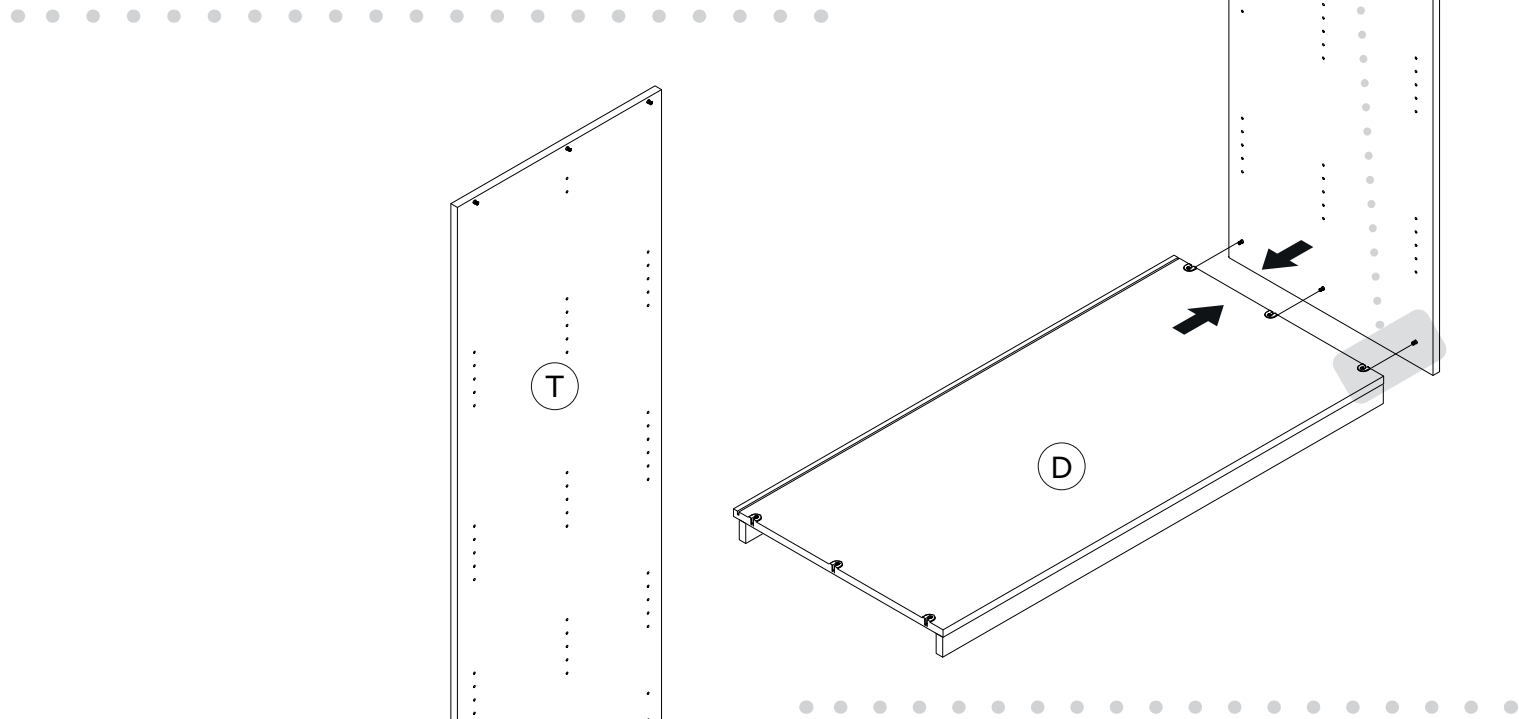
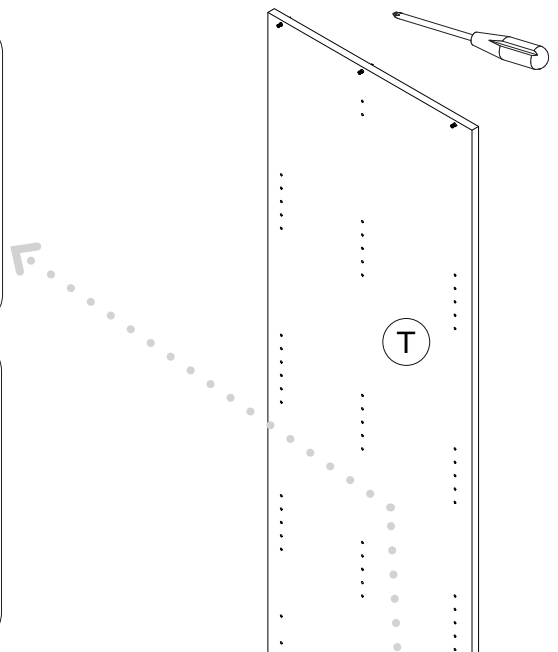
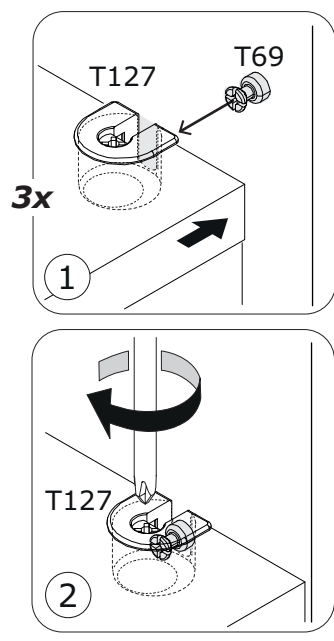
AR8969K6220413

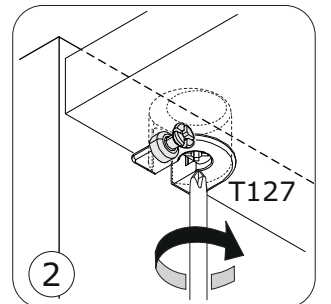
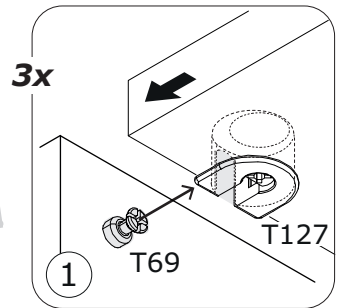
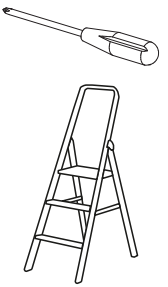
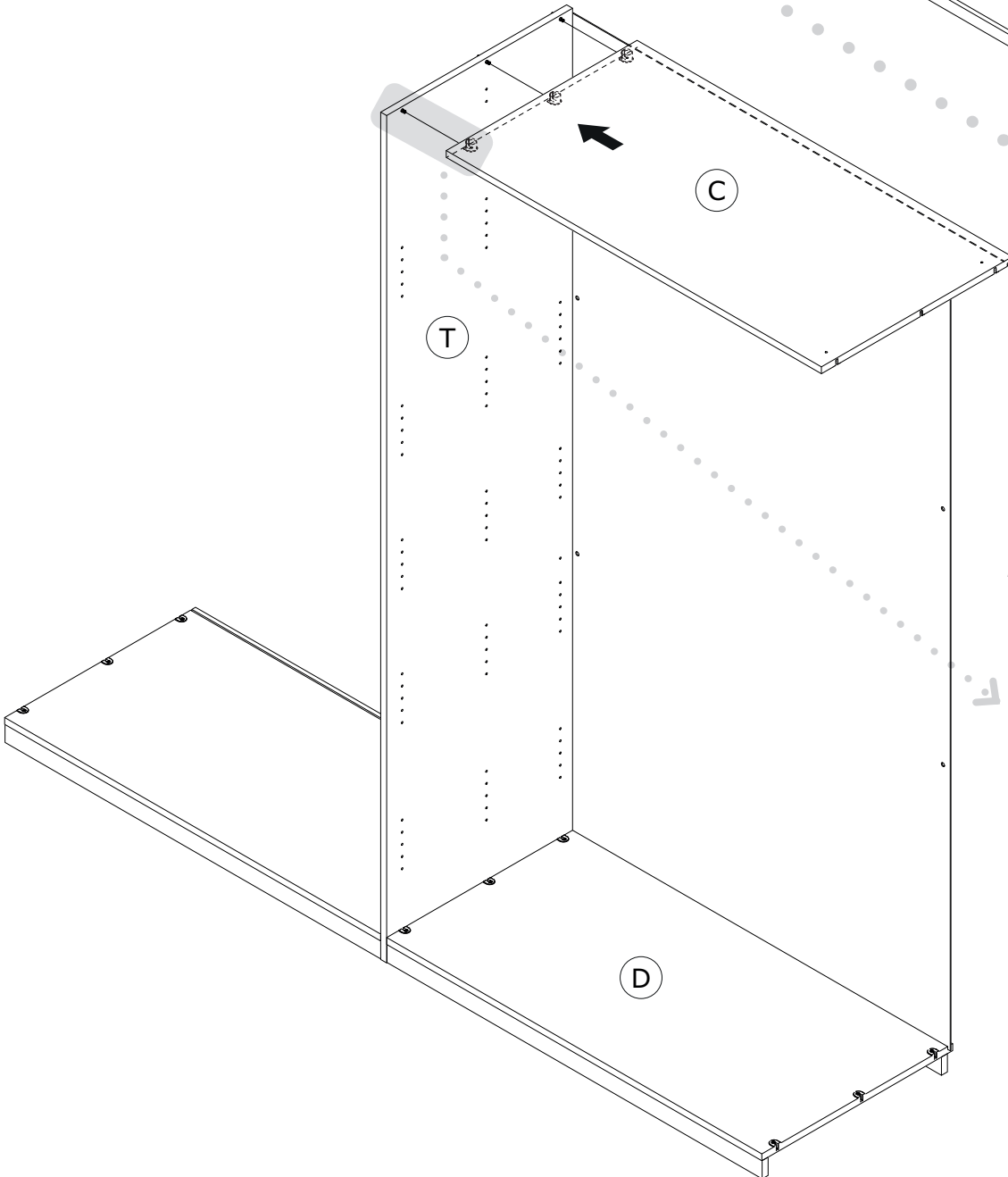
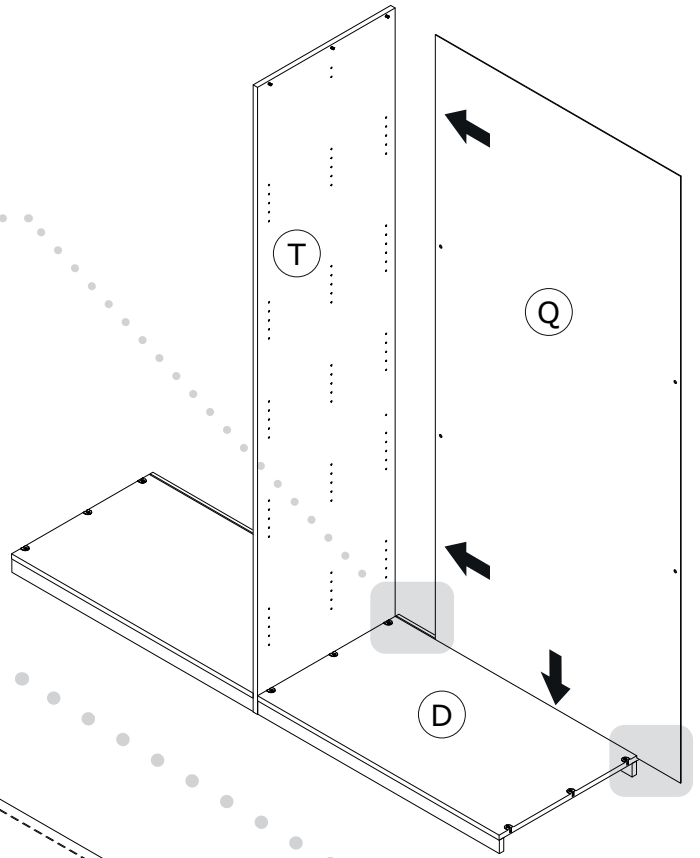
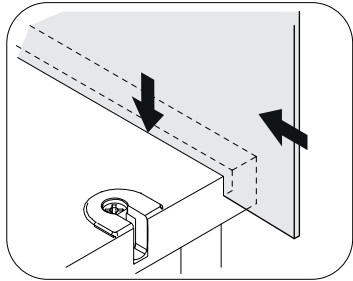
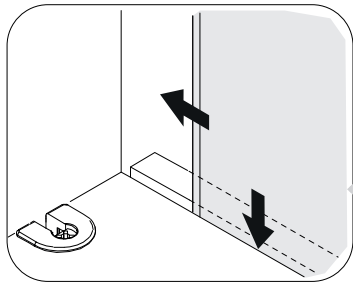


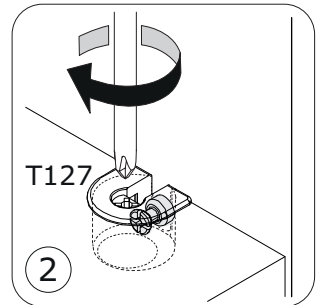
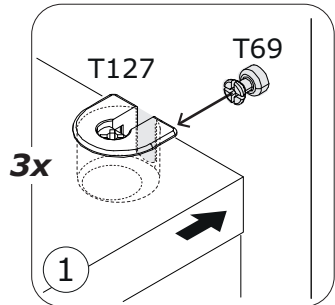
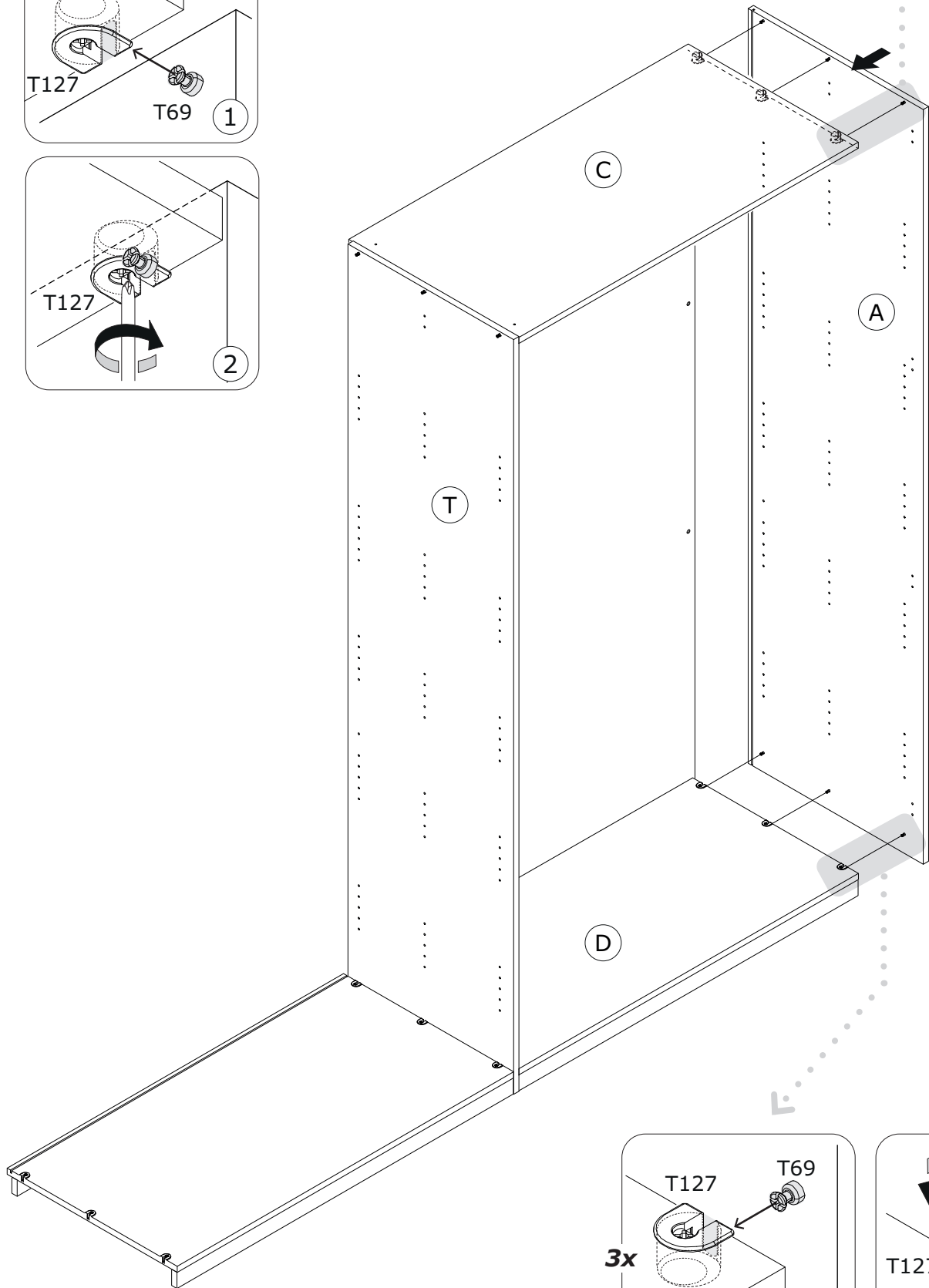
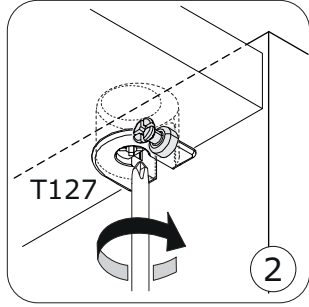
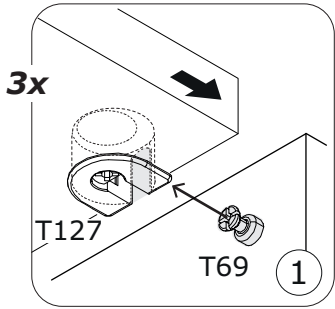
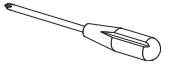
8

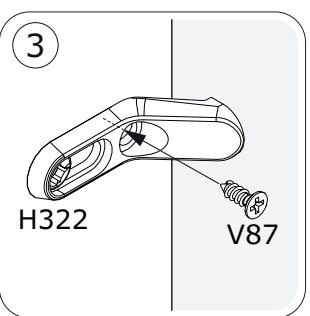
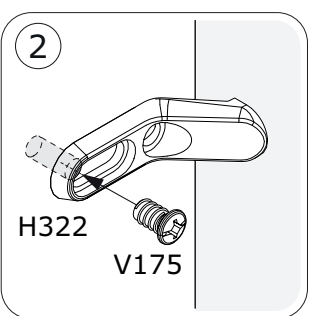
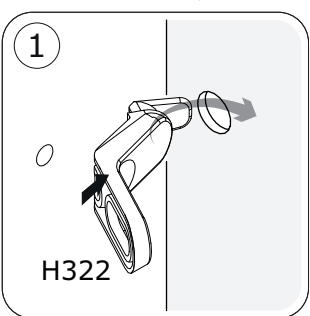
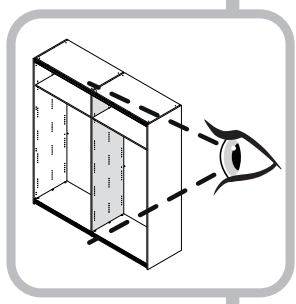
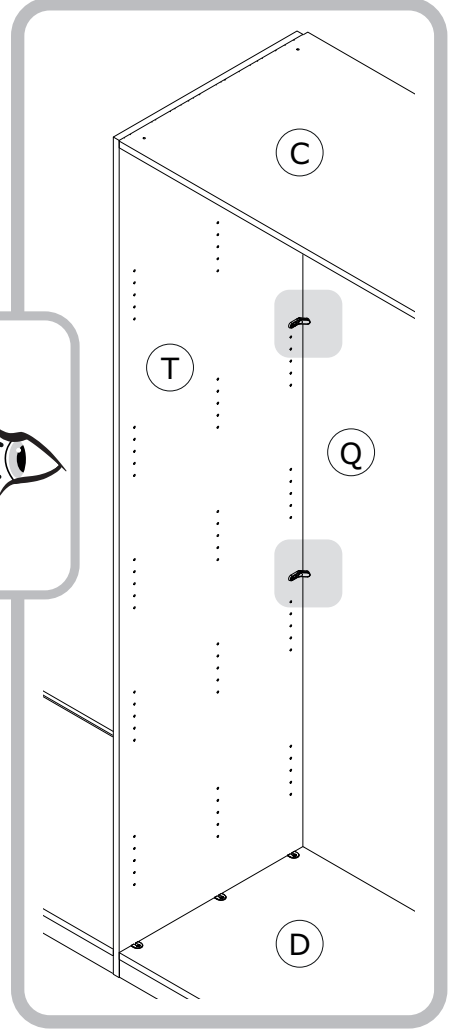
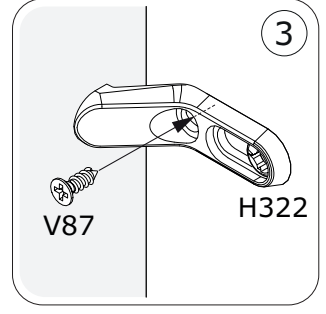
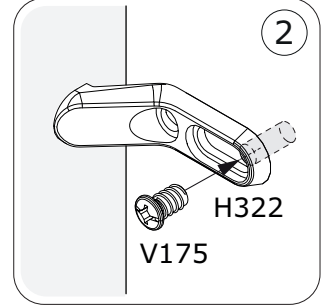
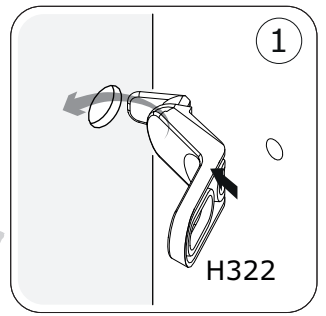
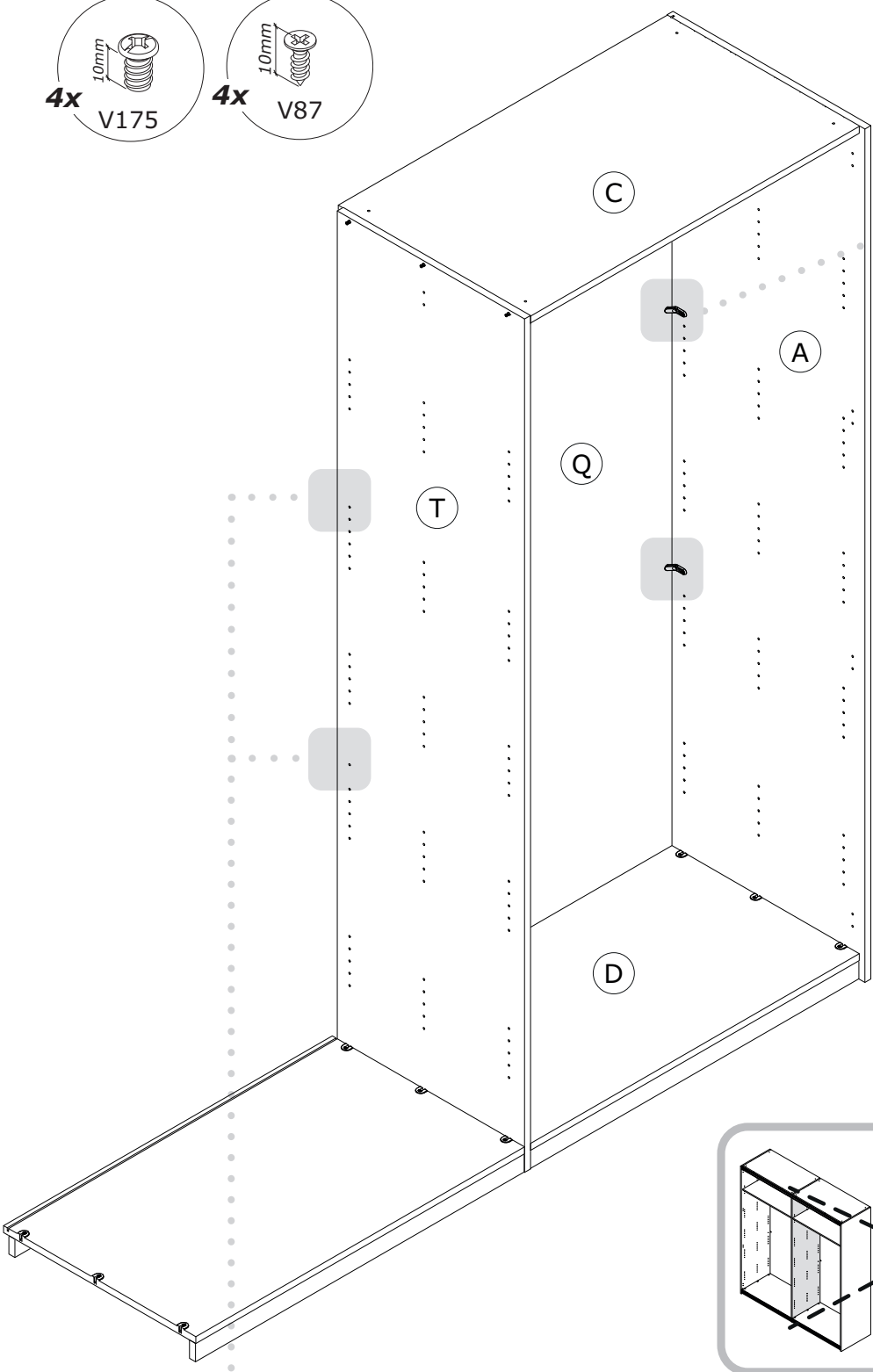
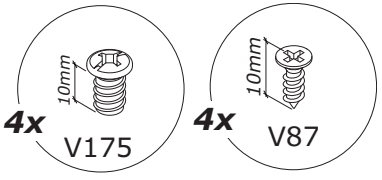
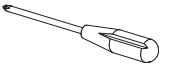


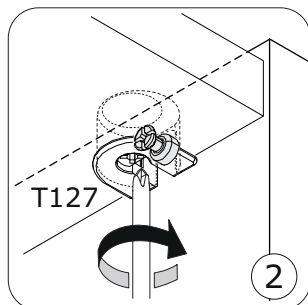
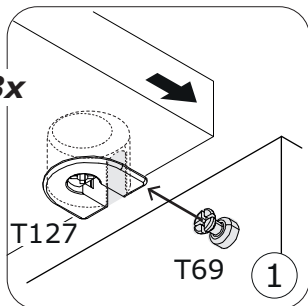
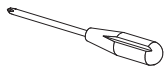
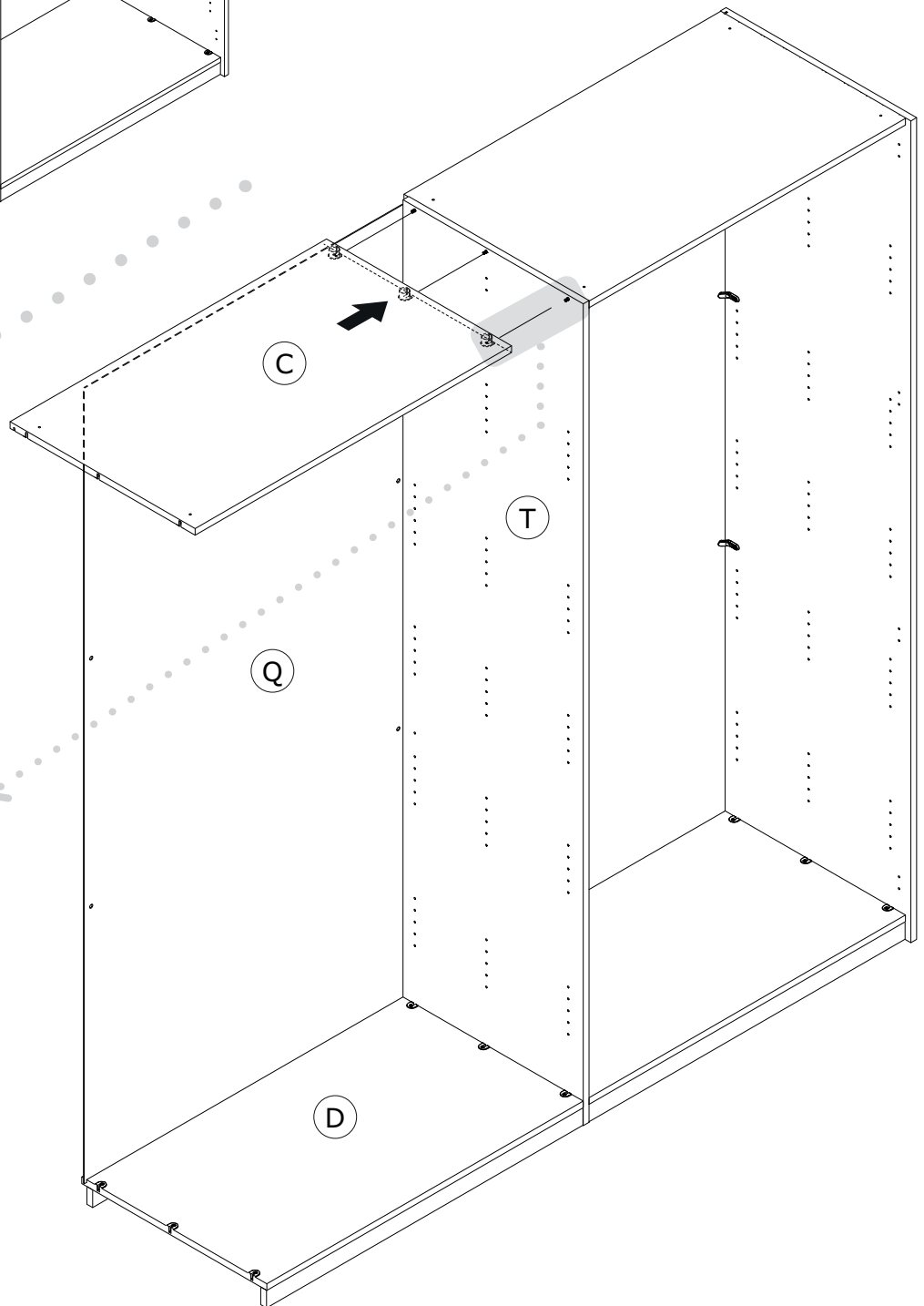
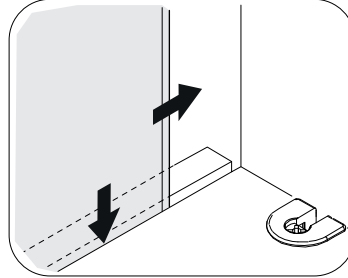
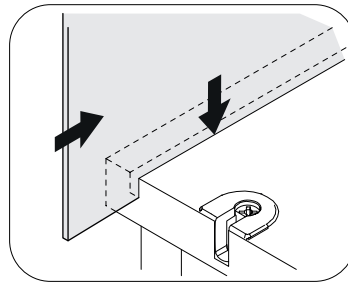
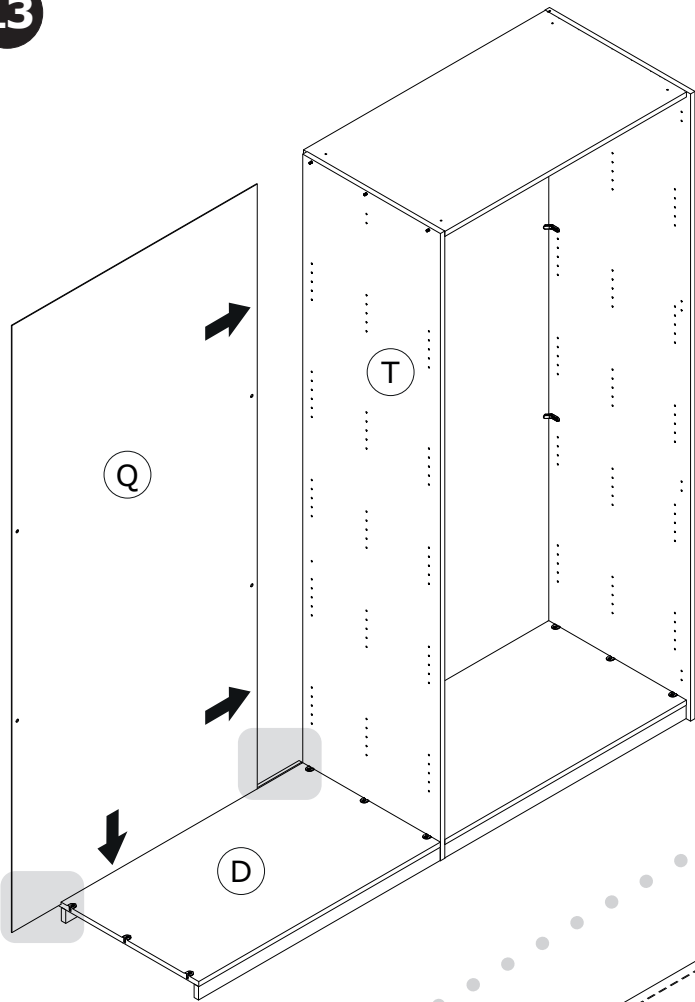
9

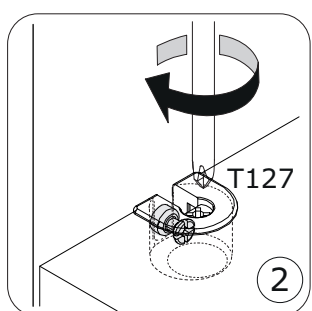
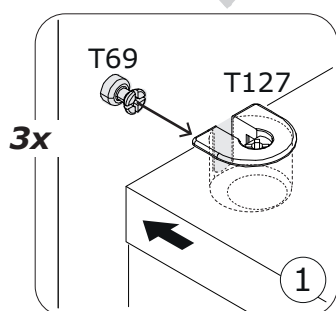
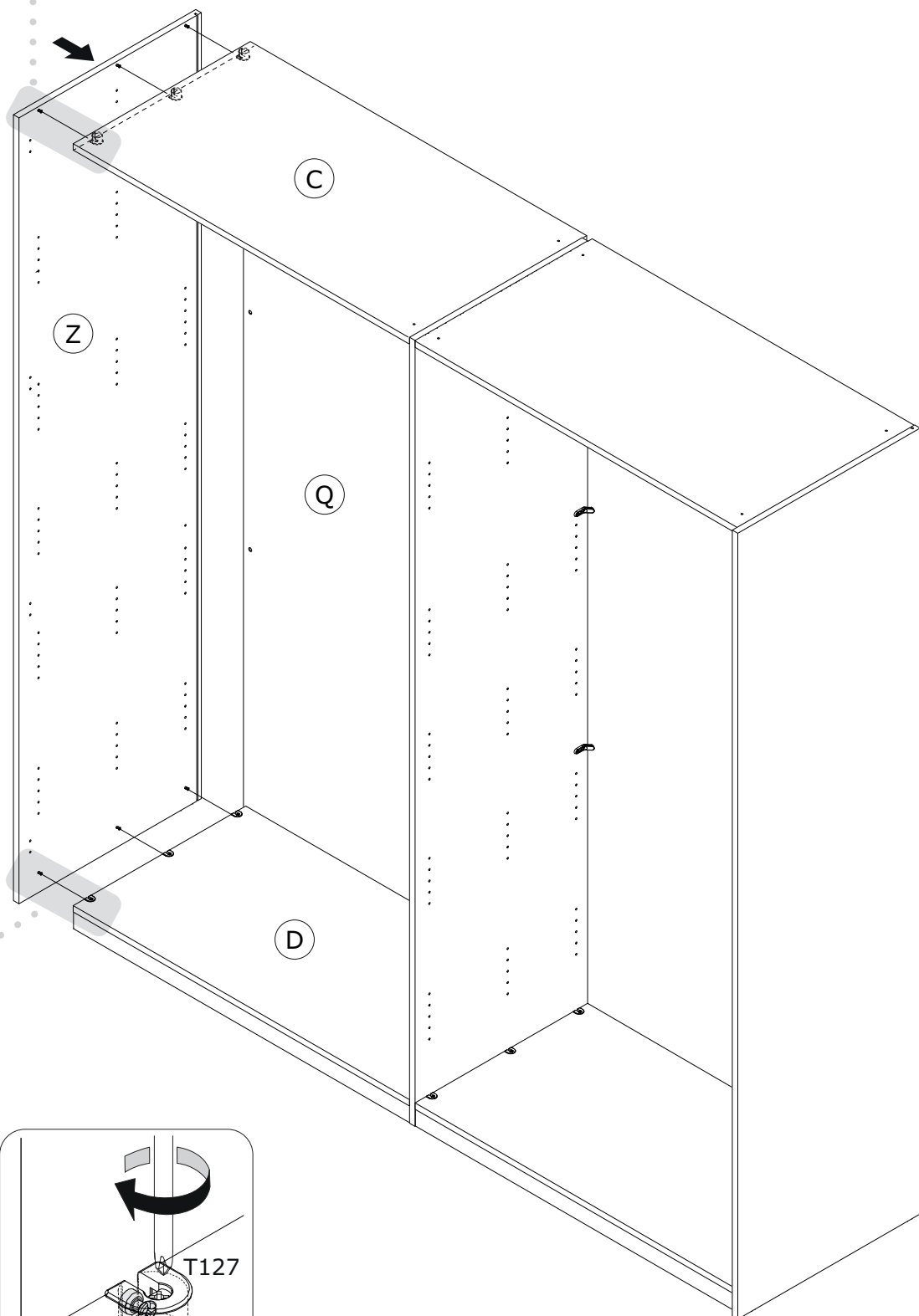
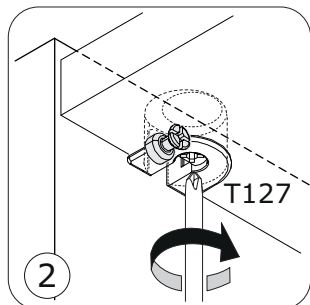
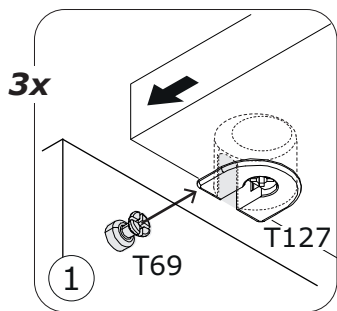
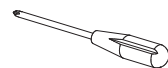


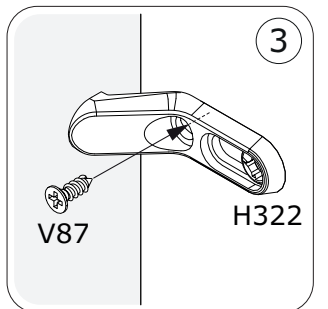
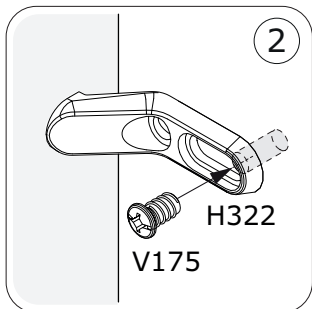
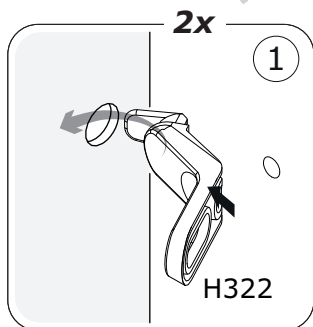
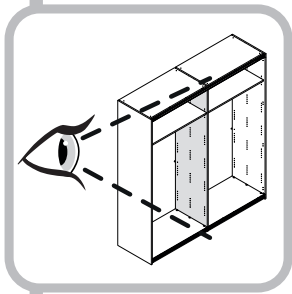
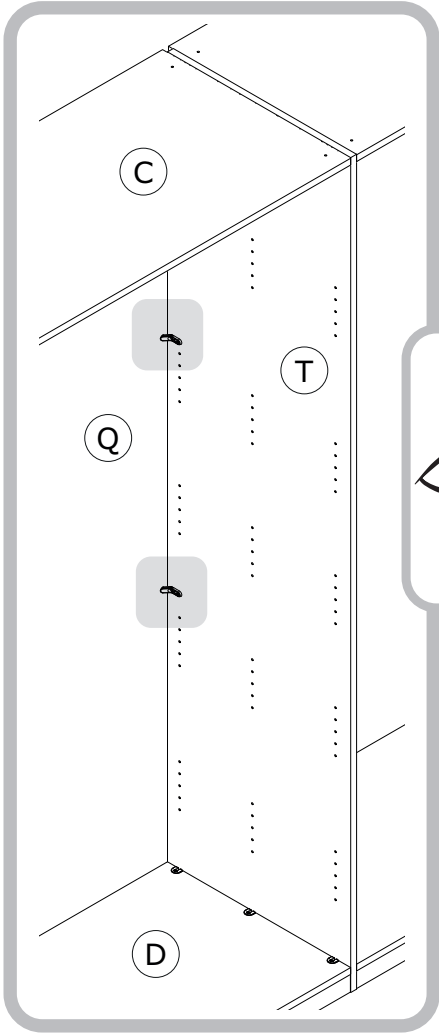
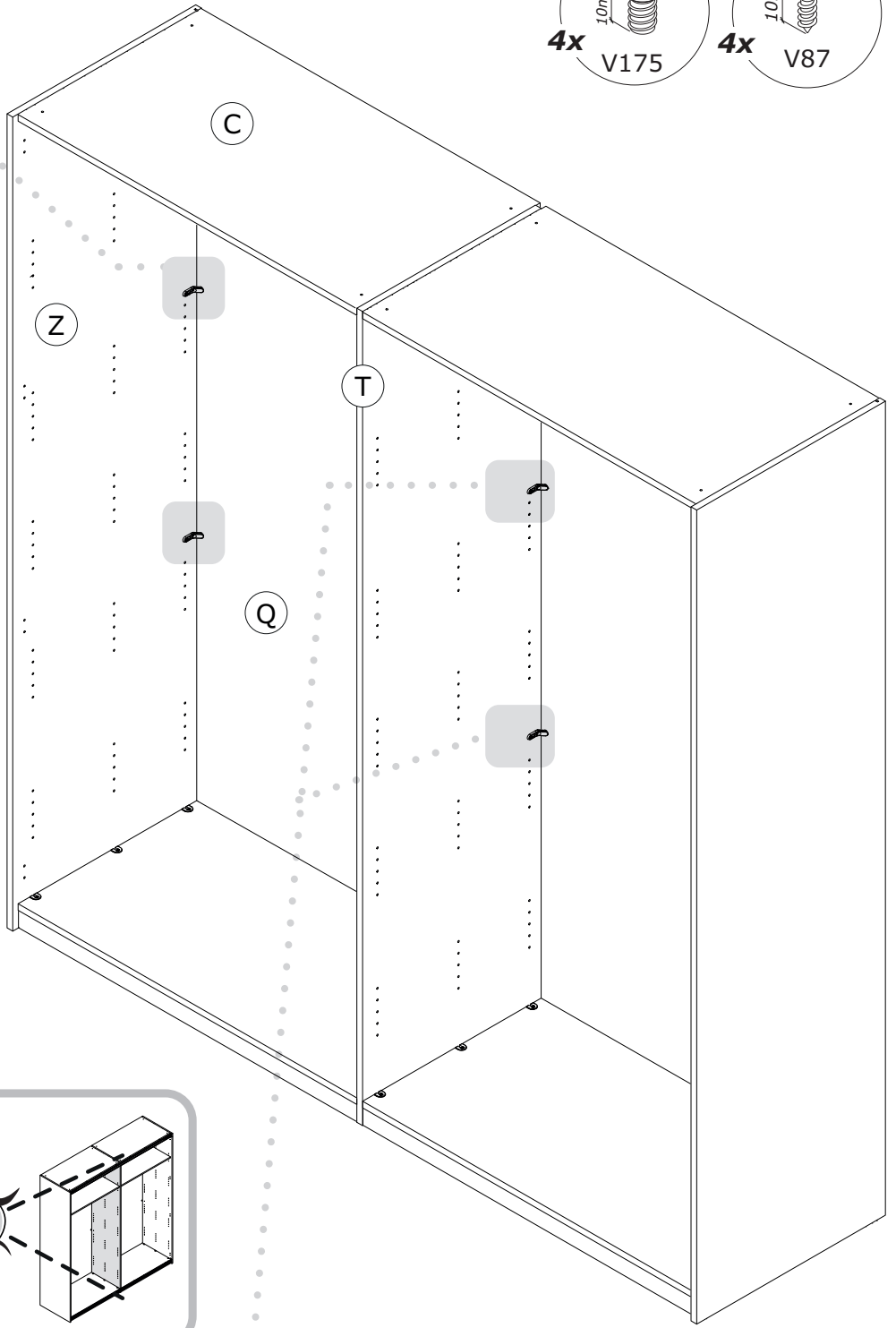
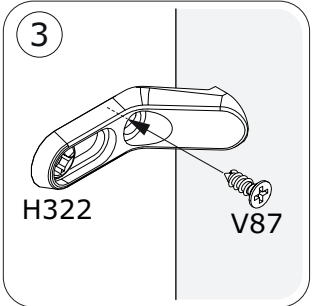
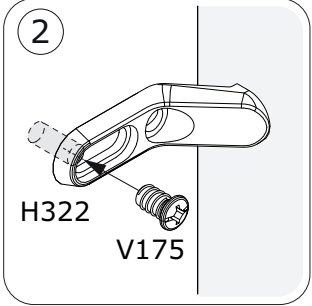
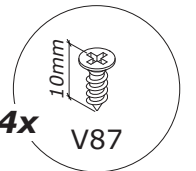
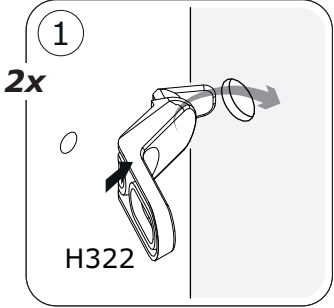
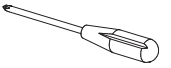


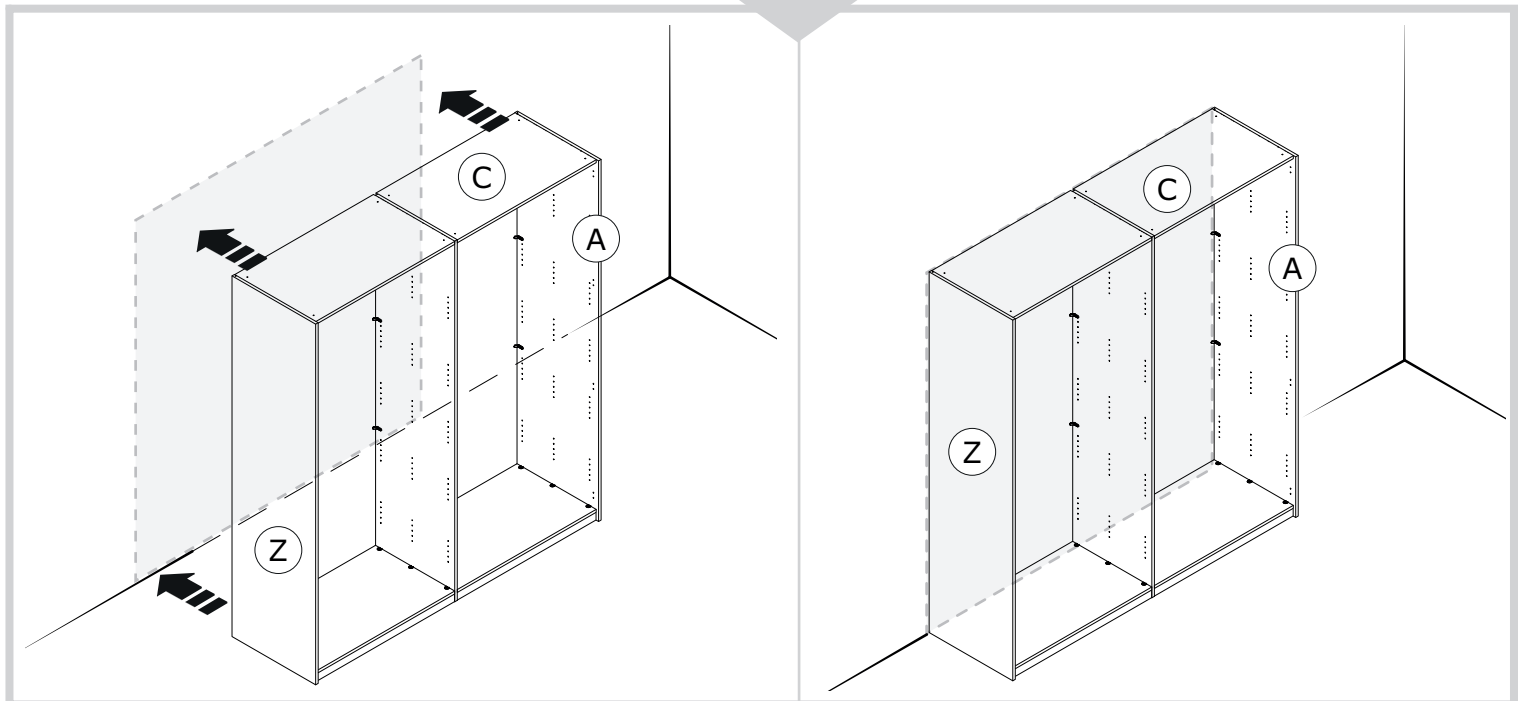
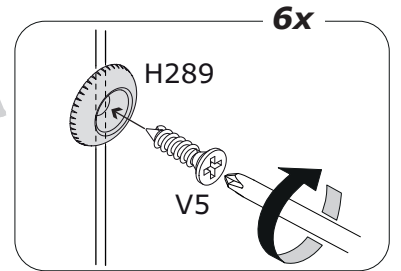
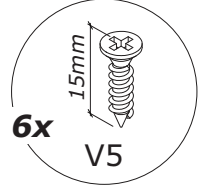
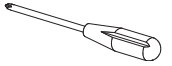
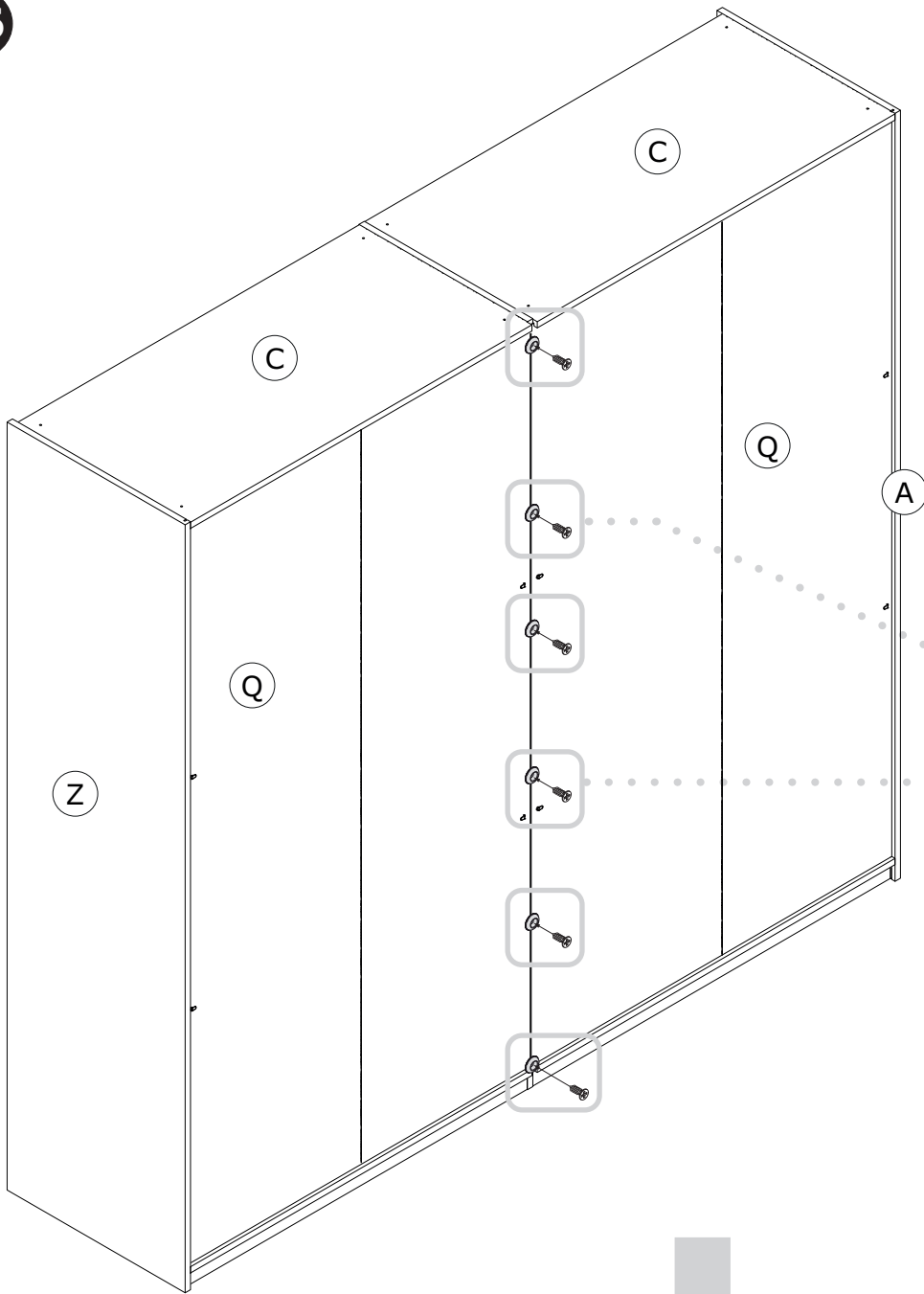


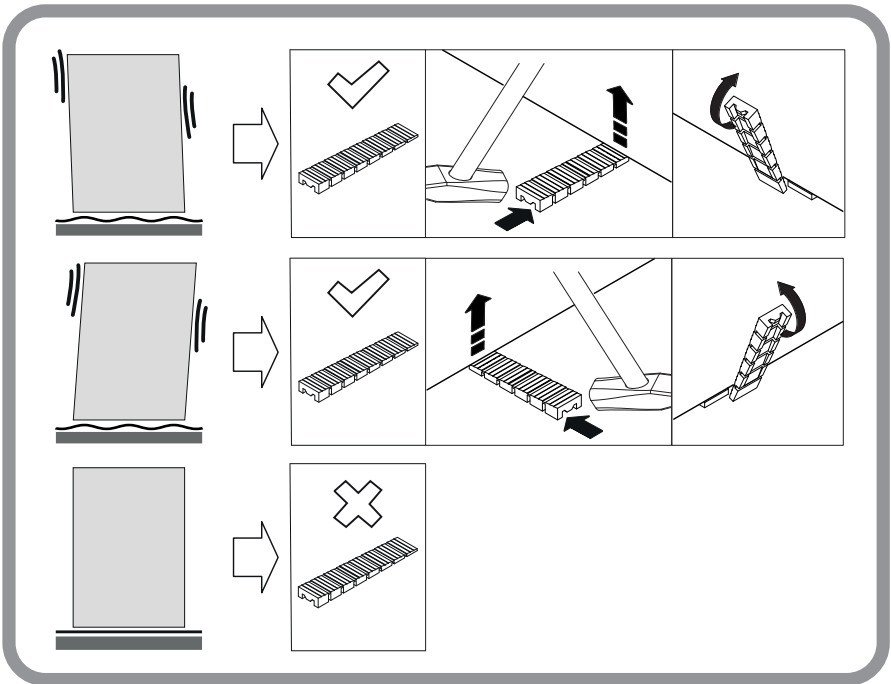
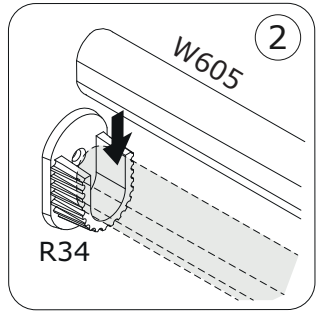
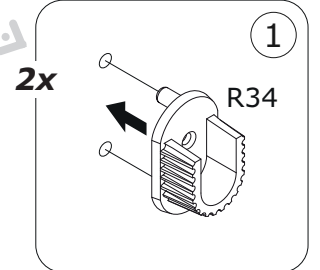
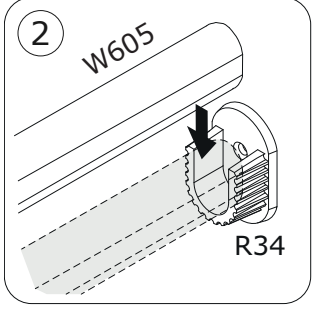
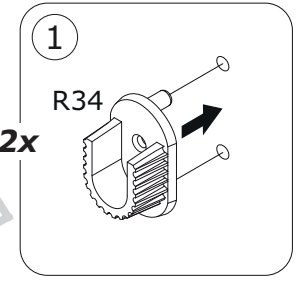
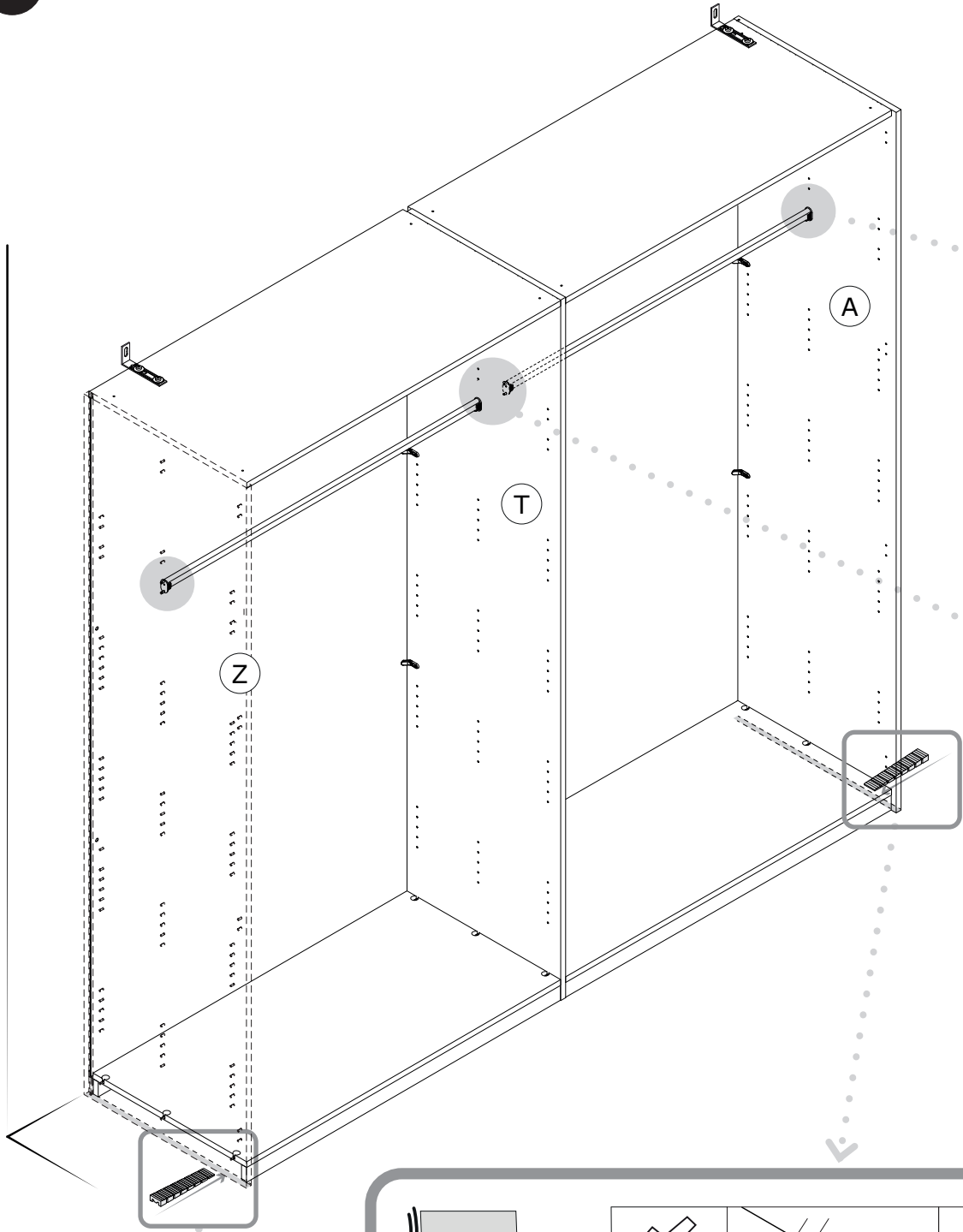
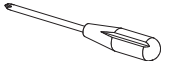


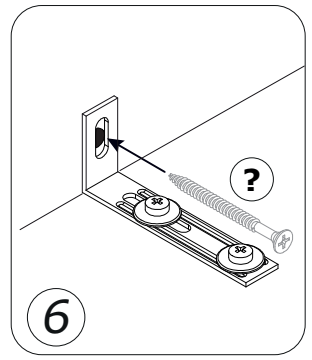
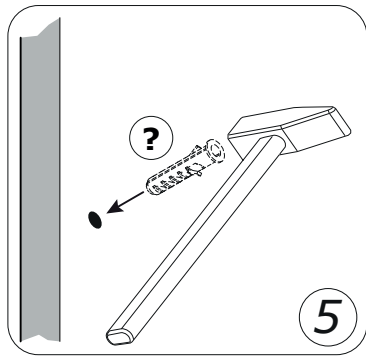
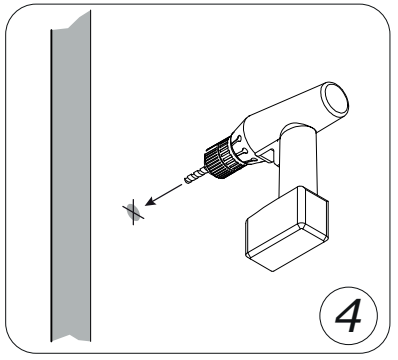
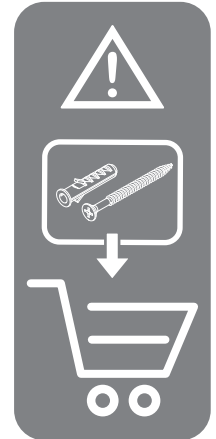
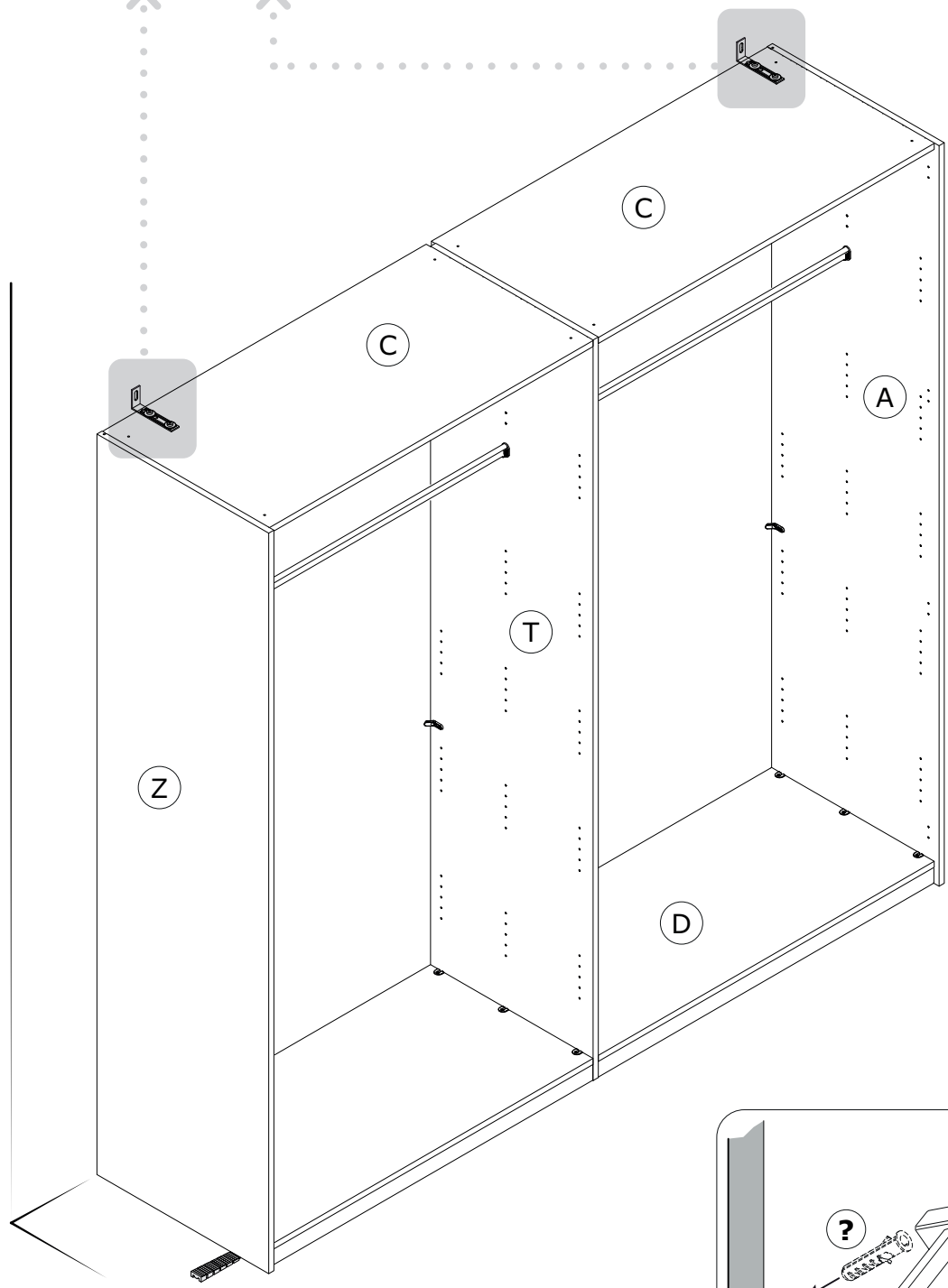
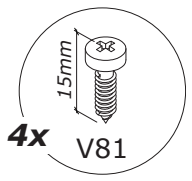
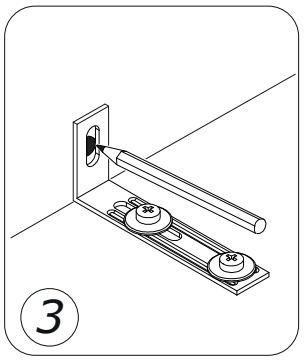
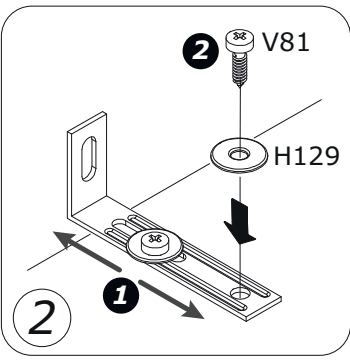
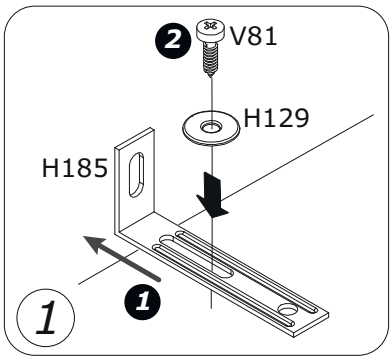
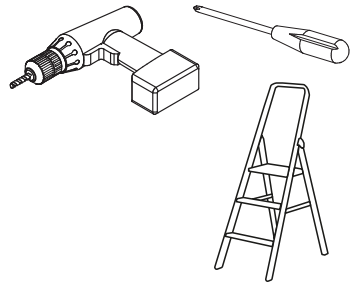


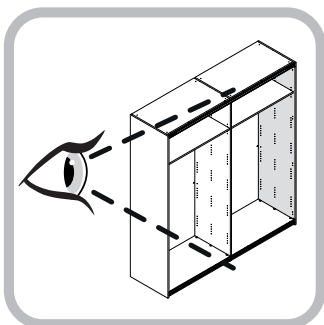
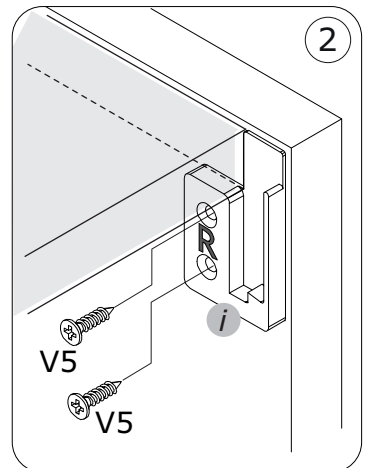
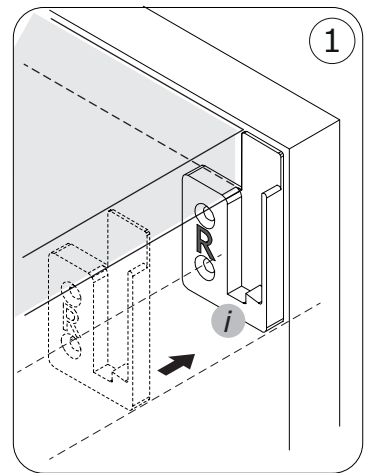
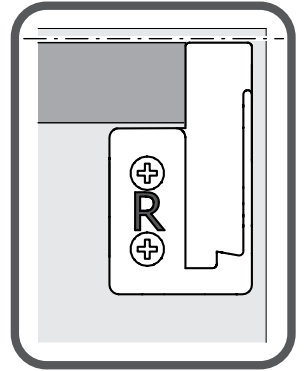
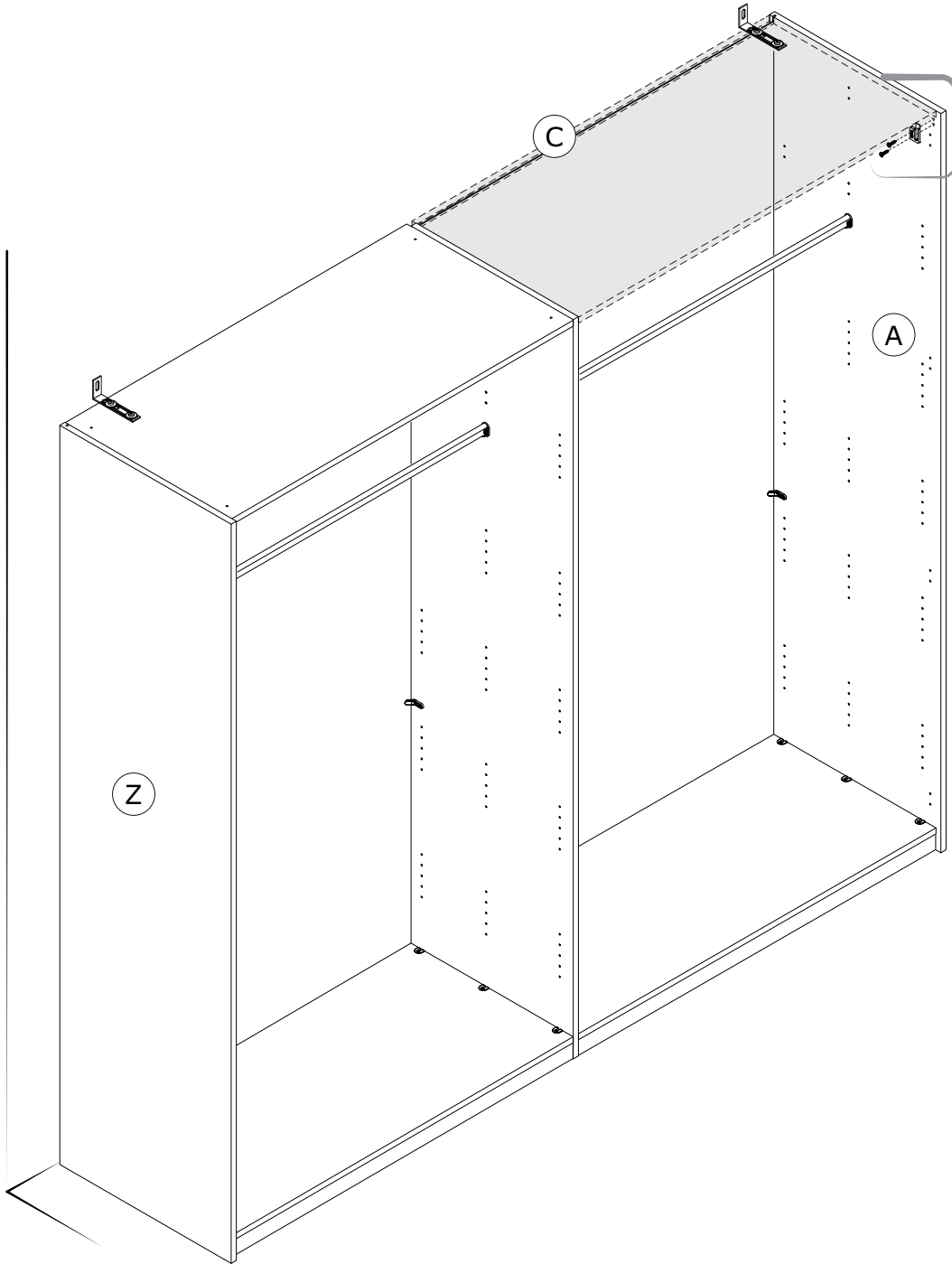
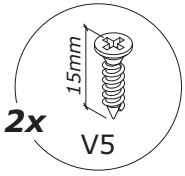
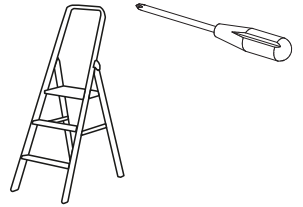


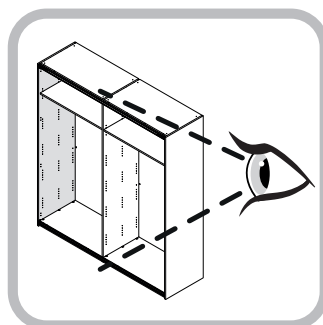
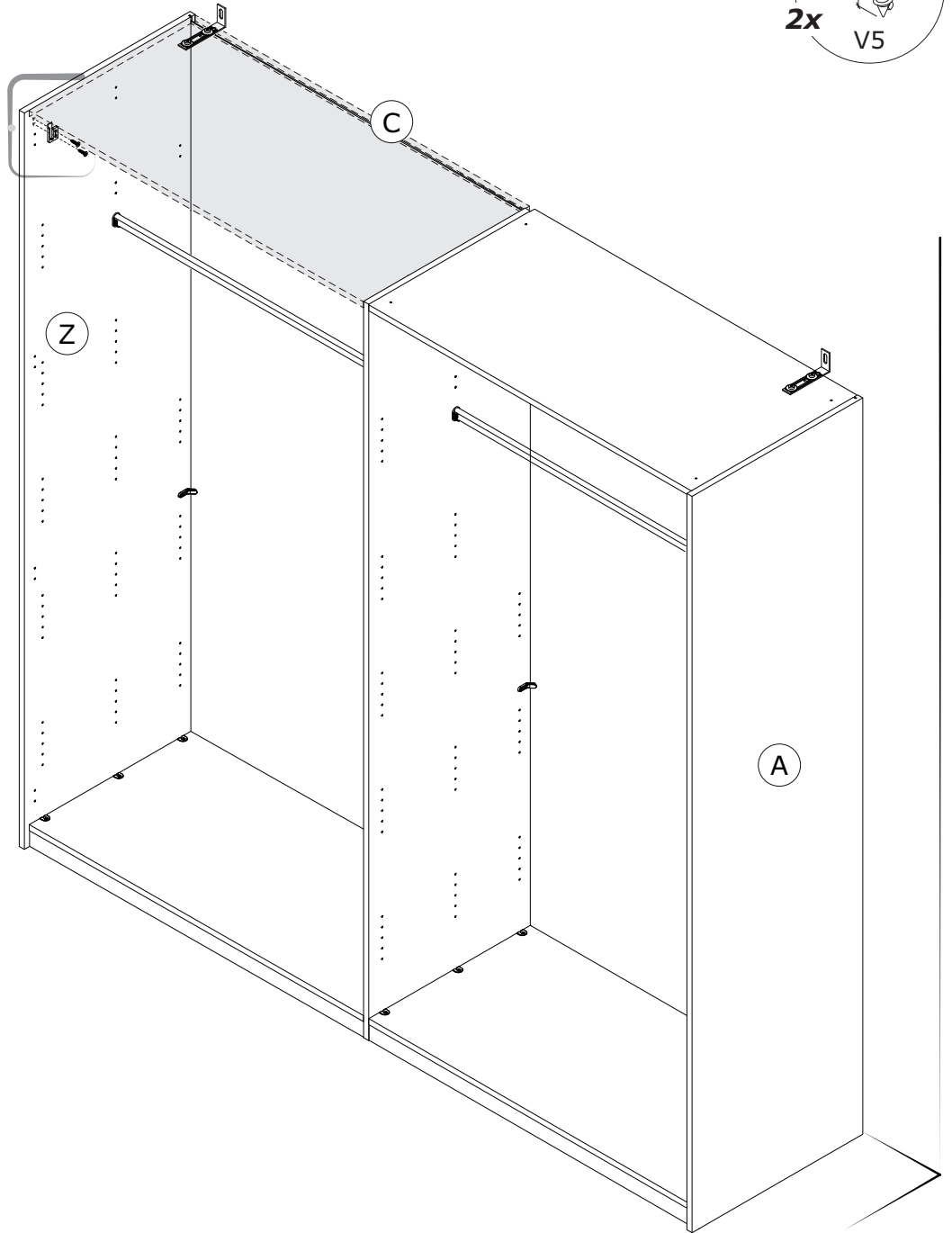
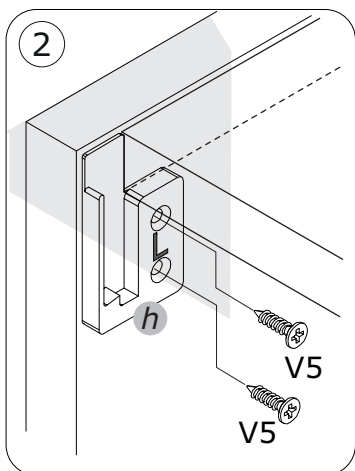
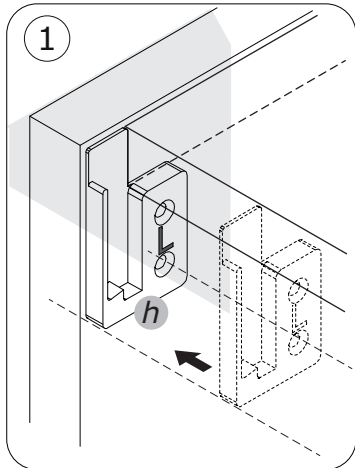
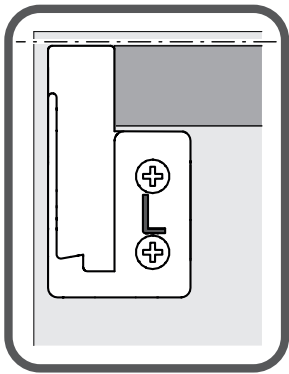
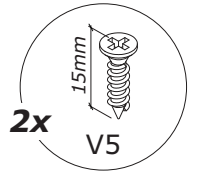
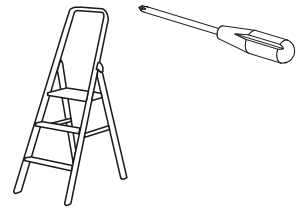


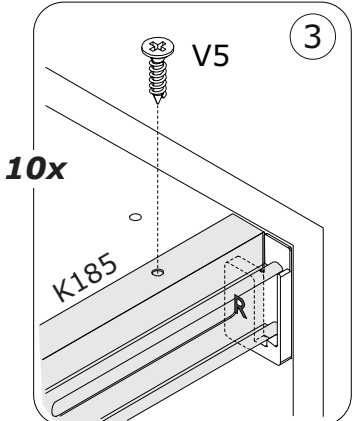
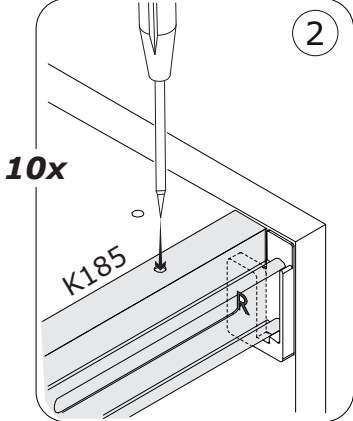
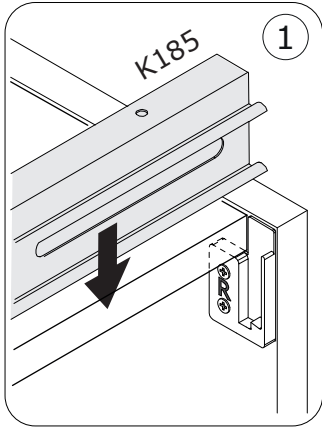
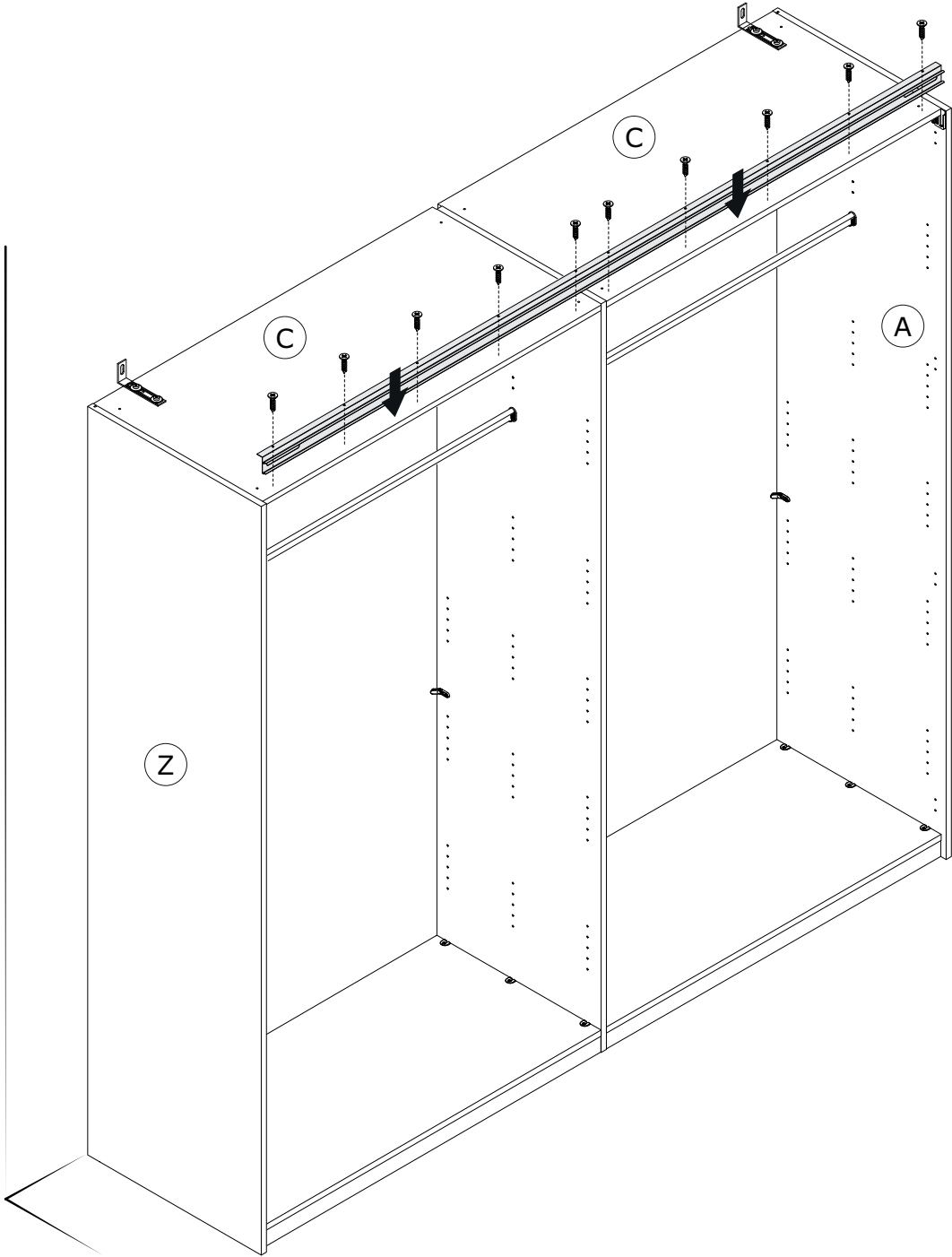
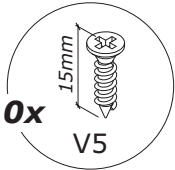
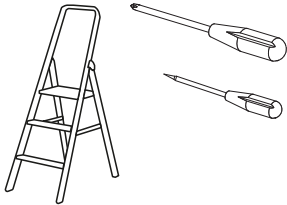


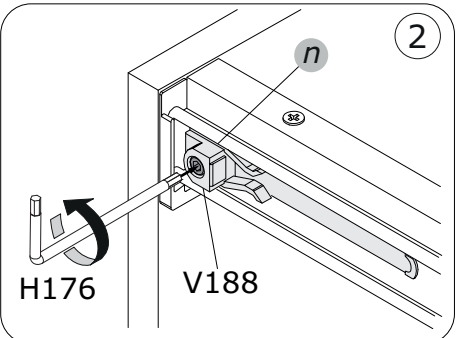
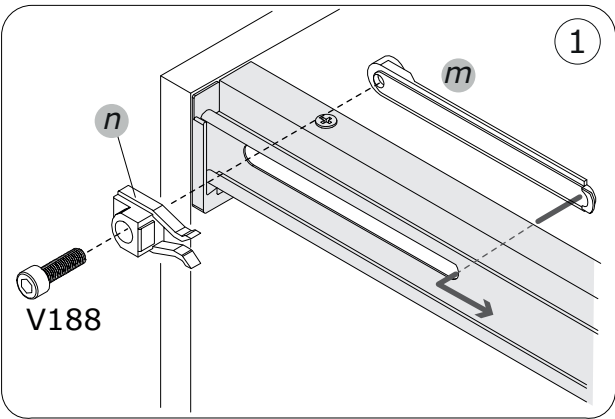
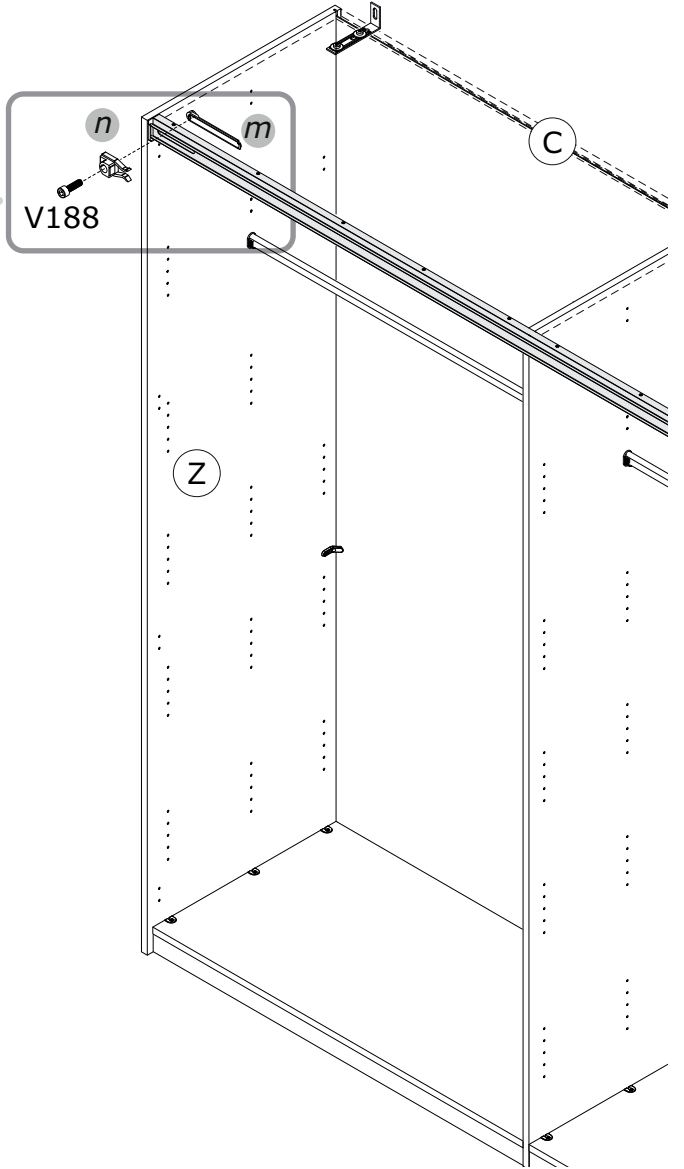
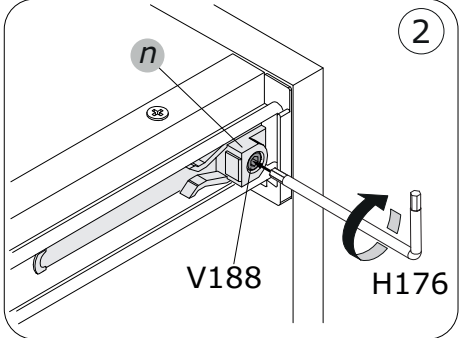
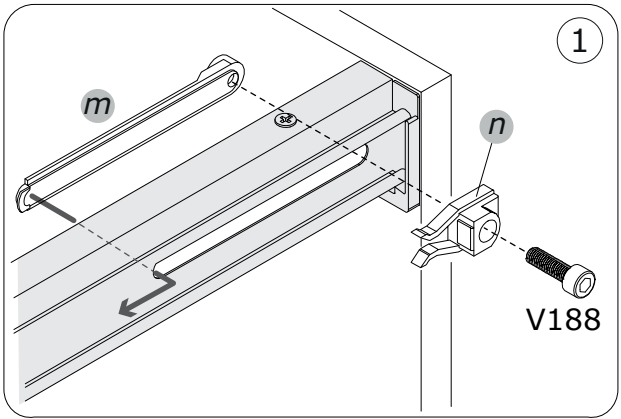
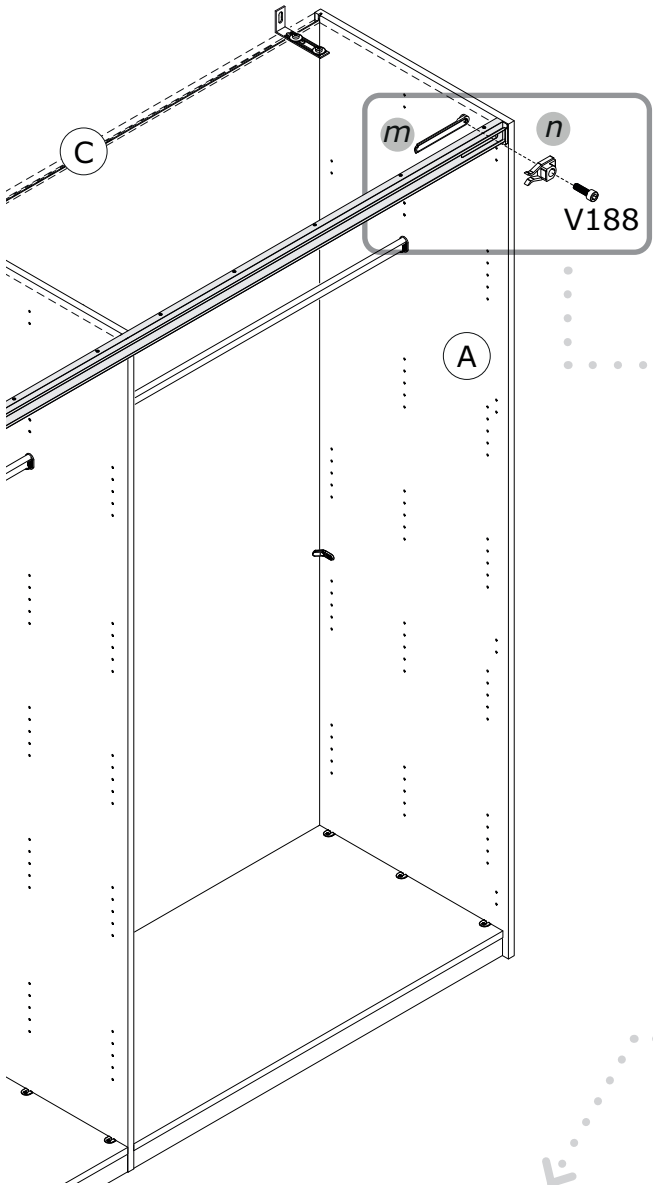


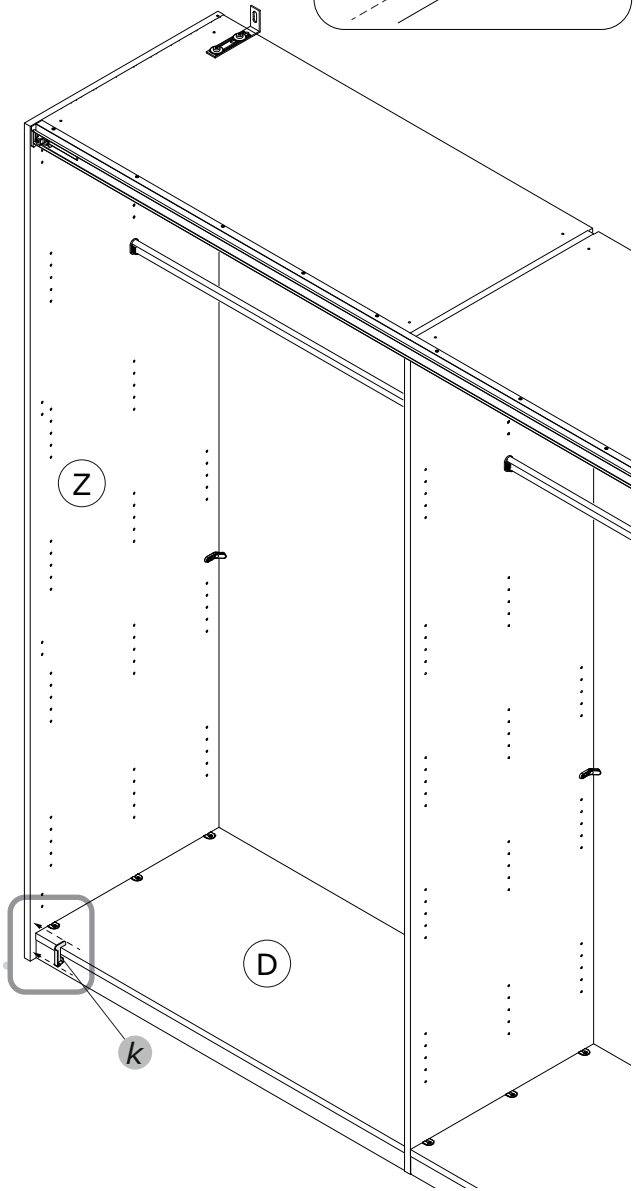
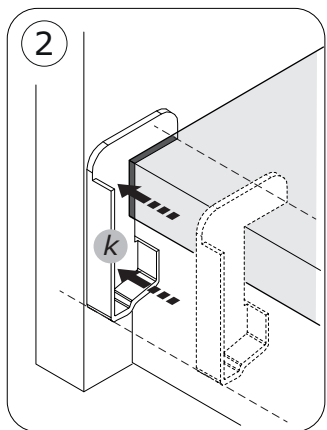
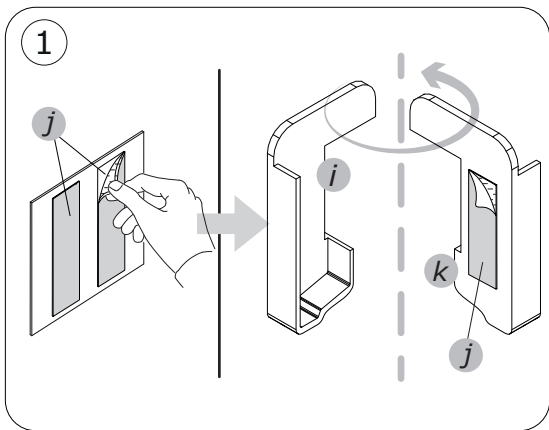
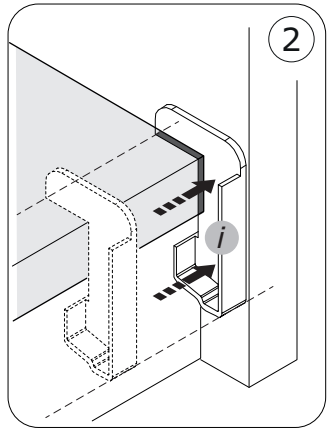
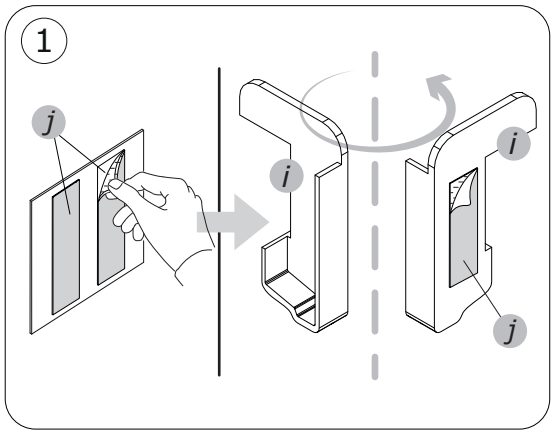
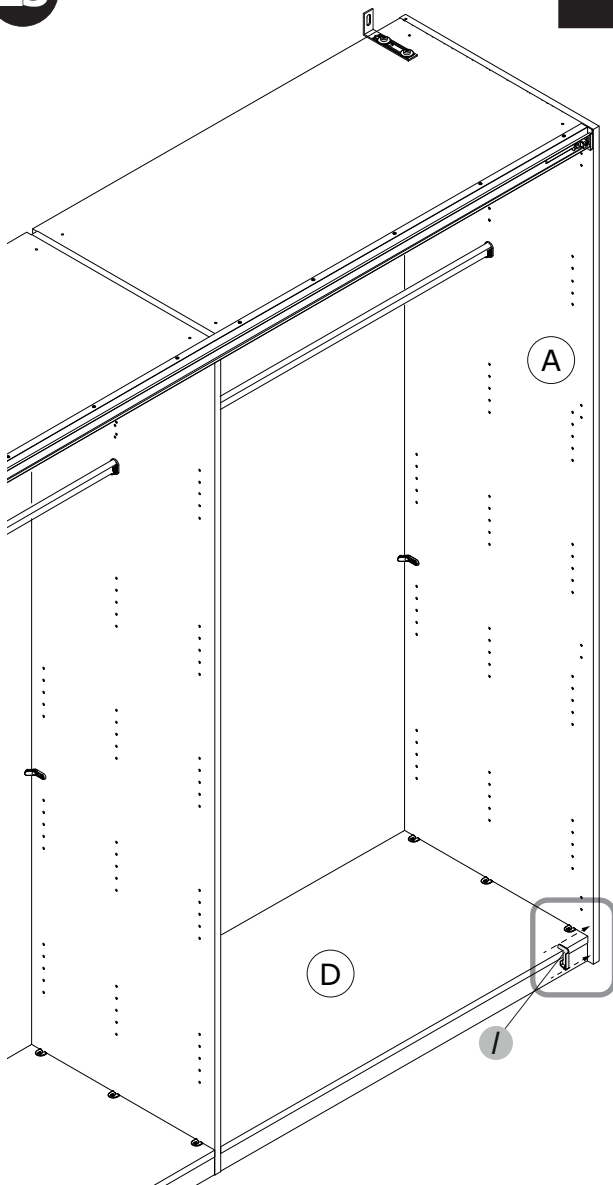


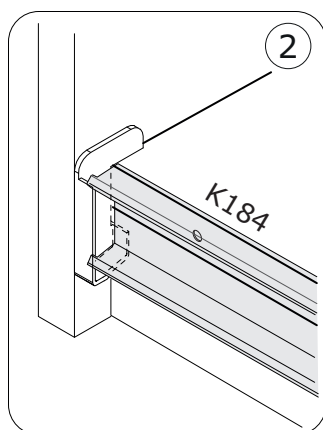
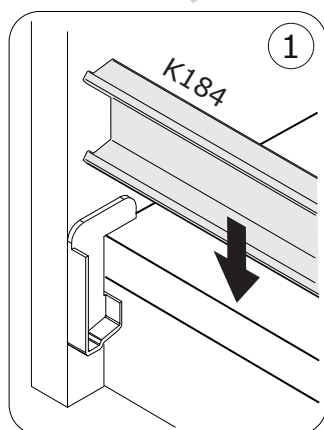
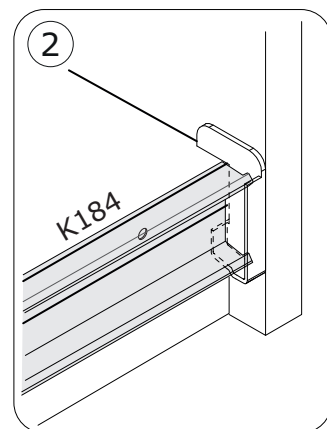
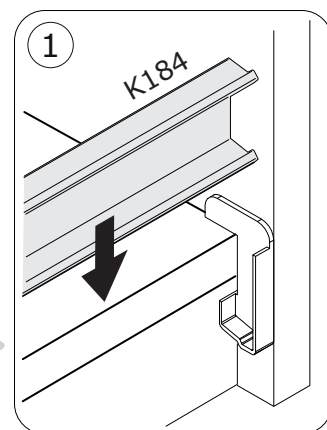
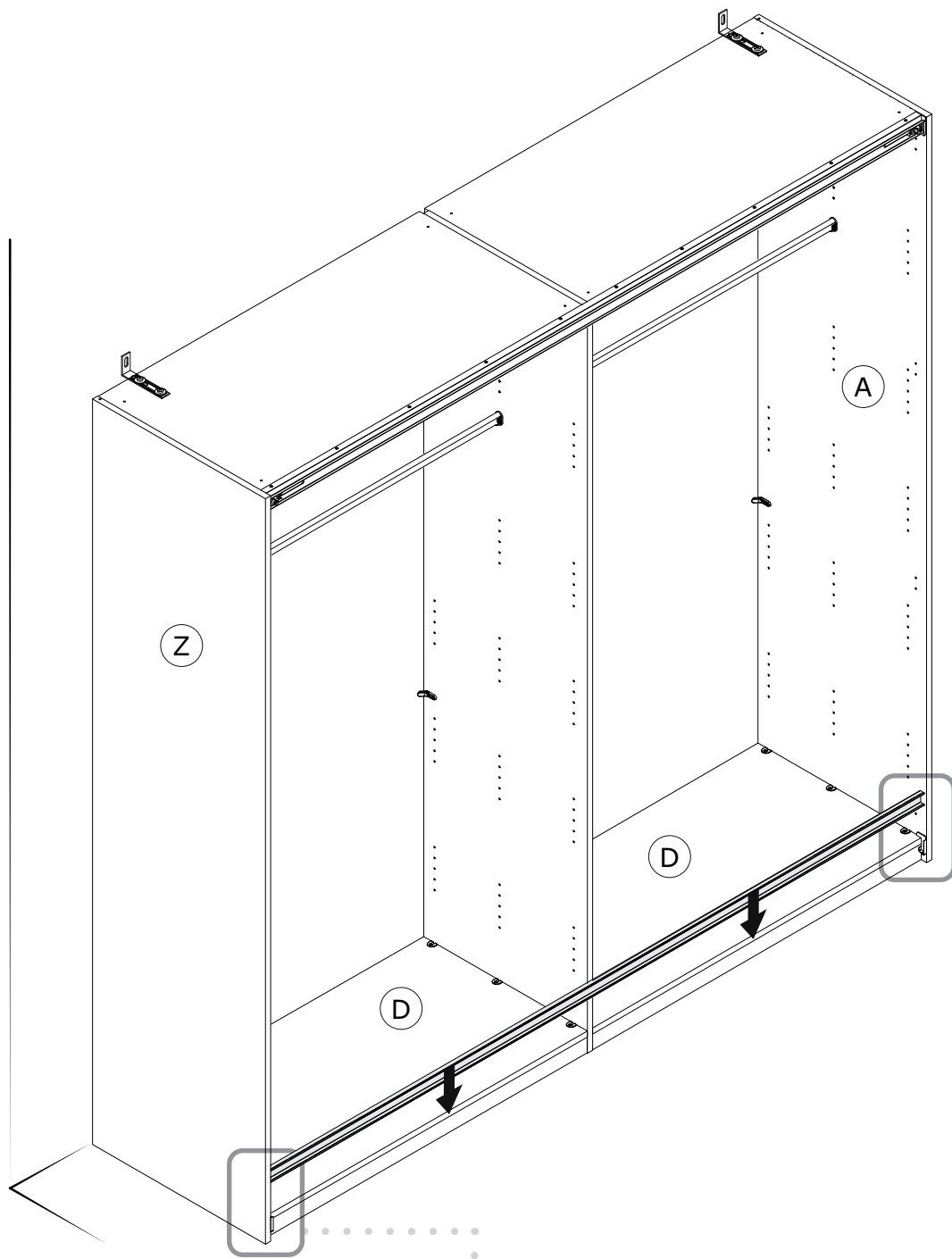
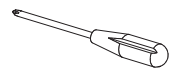


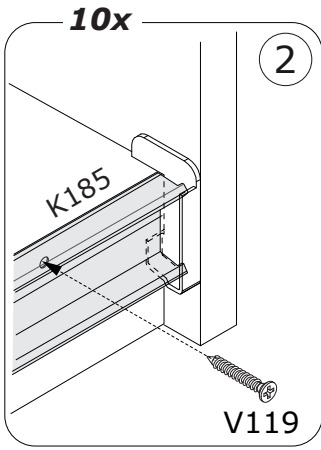
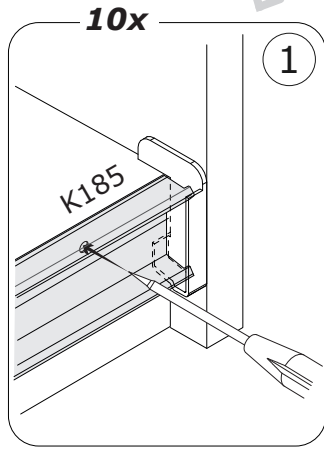
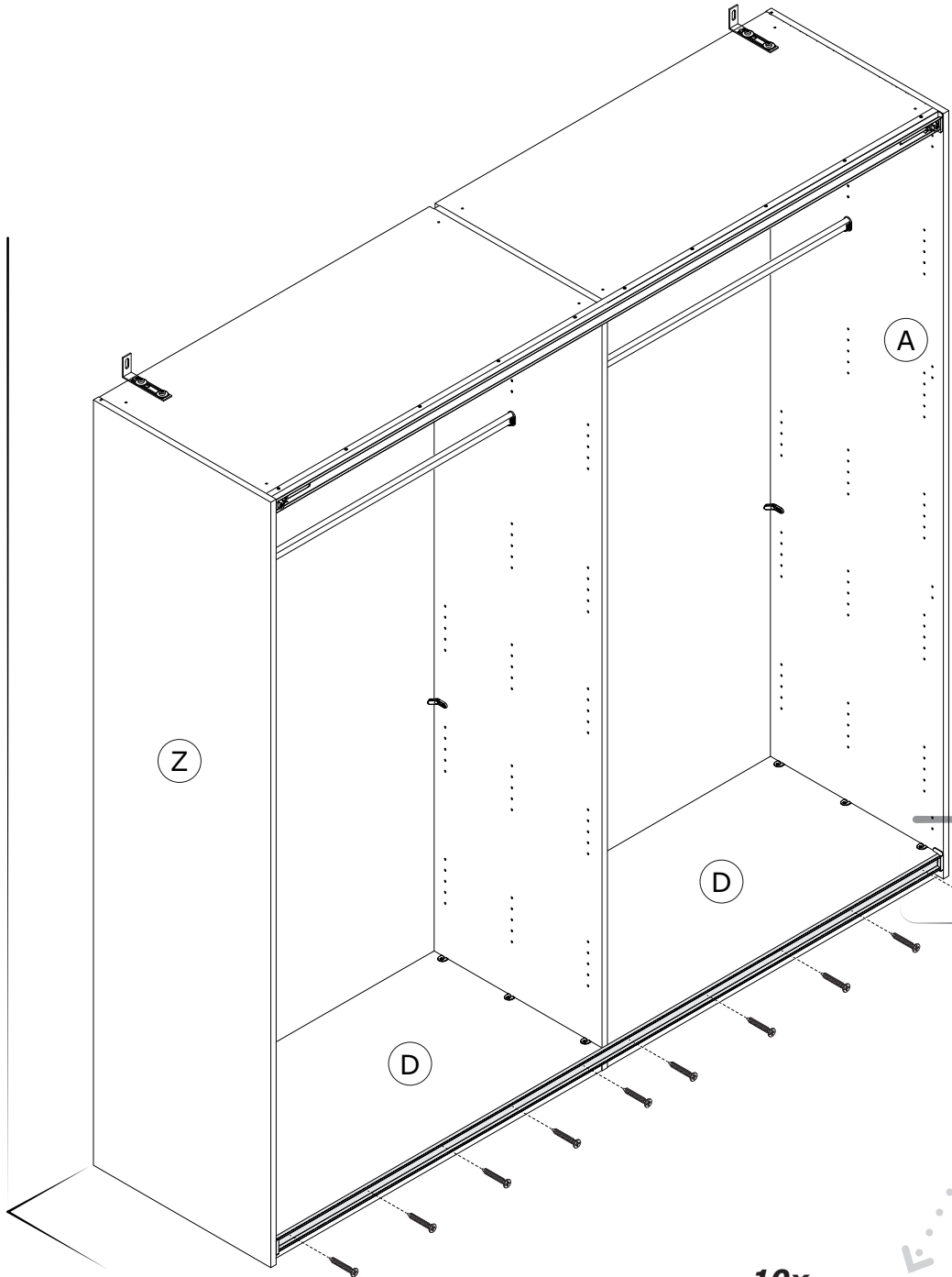
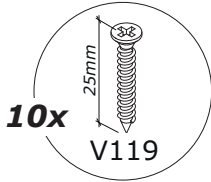
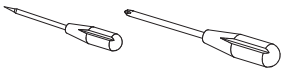




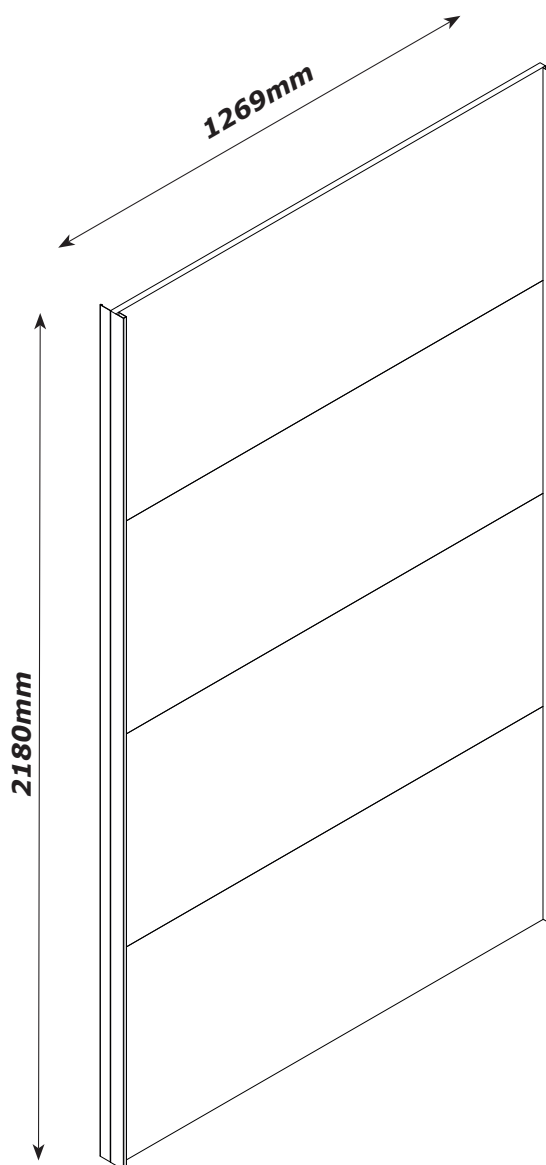








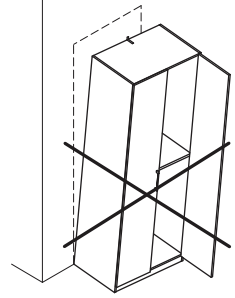
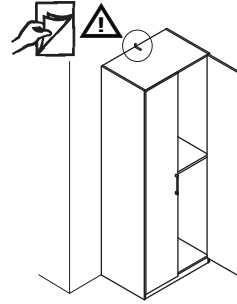
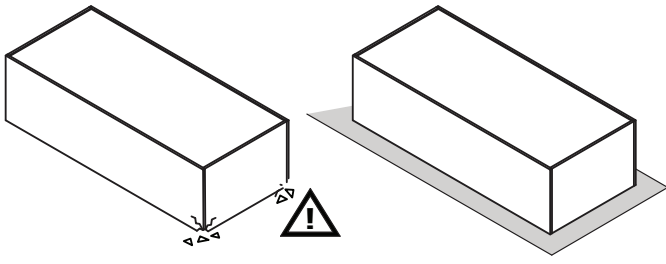
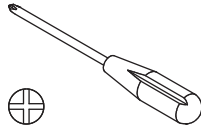
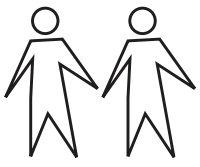
# DOORS



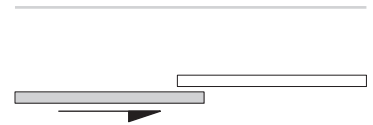
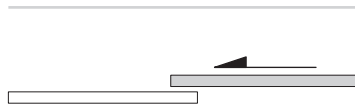
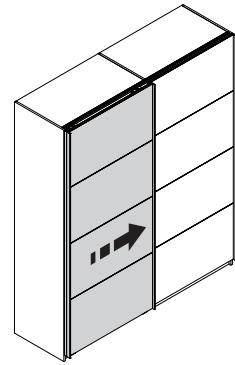
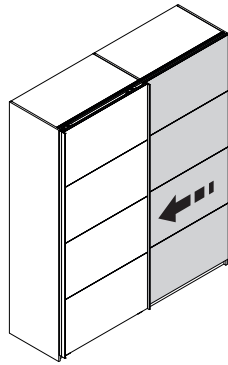
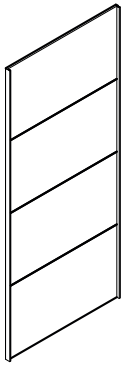
QF5528



MADE IN ITALY  
Produced by COMPOSAD srl, Via Lombardia 29, 46019 Viadana (MN) ITALY



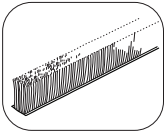
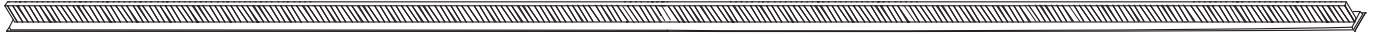
**2x**



**A**

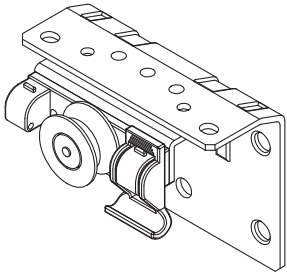
**B**

# CF8990

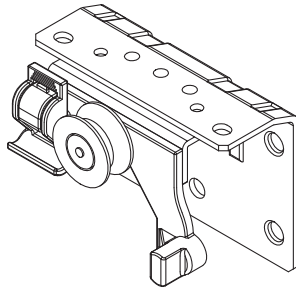


**H203** x1  
L2170mm - H13mm

## CF0227



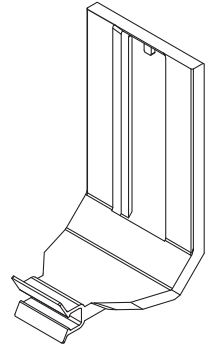
**a** x1  
80x51x60mm



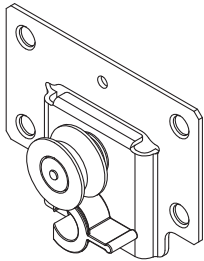
**b** x1  
80x51x60mm



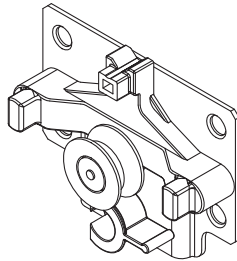
**c** x4  
21x5x49mm



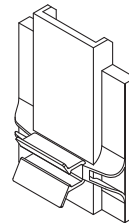
**d** x2  
44x48x84mm



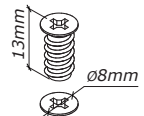
**e** x1  
80x22x60mm



**f** x1  
80x22x62mm

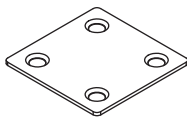


**g** x2  
44x19x60mm



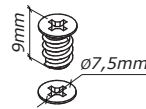
**V187**  
X24

## CF0198

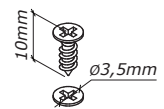


**W498**  
x12

## BU4631



**V102**  
x64



**V87**  
x32

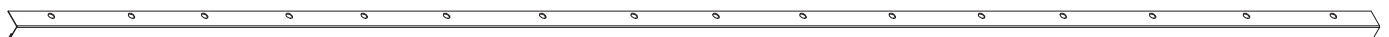
## CF



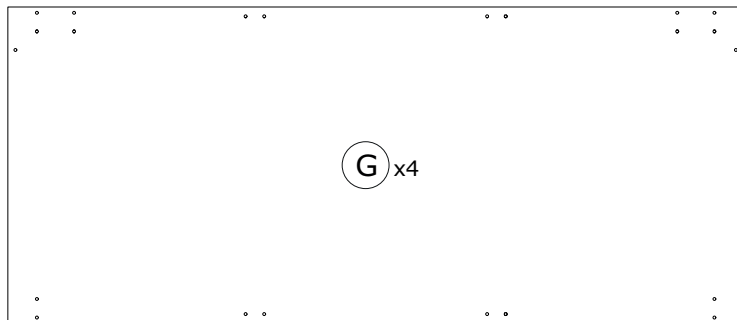
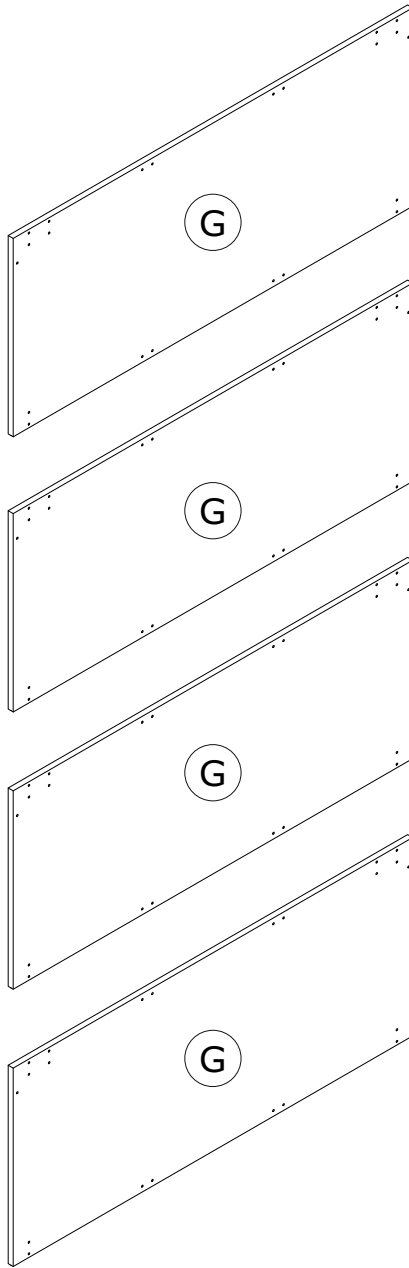
**M1** x1  
L. 2178mm



**M2** x3  
L. 2178mm

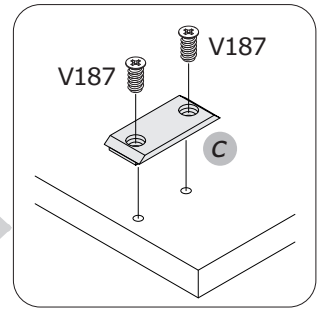
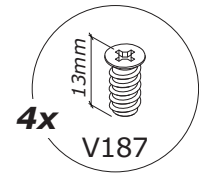
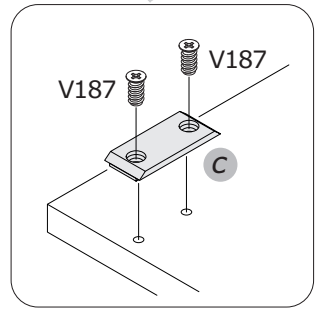
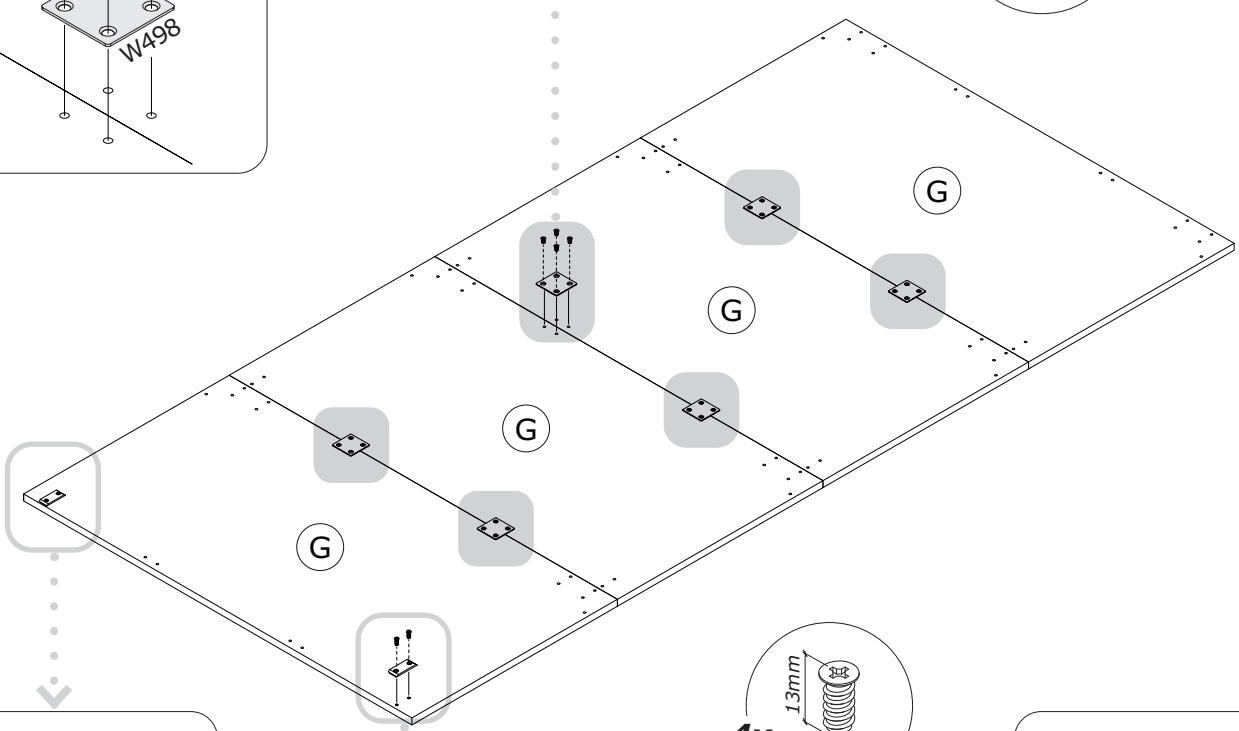
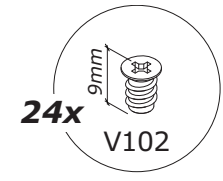
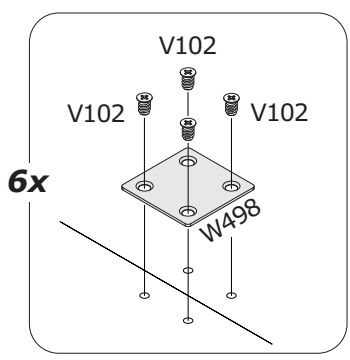
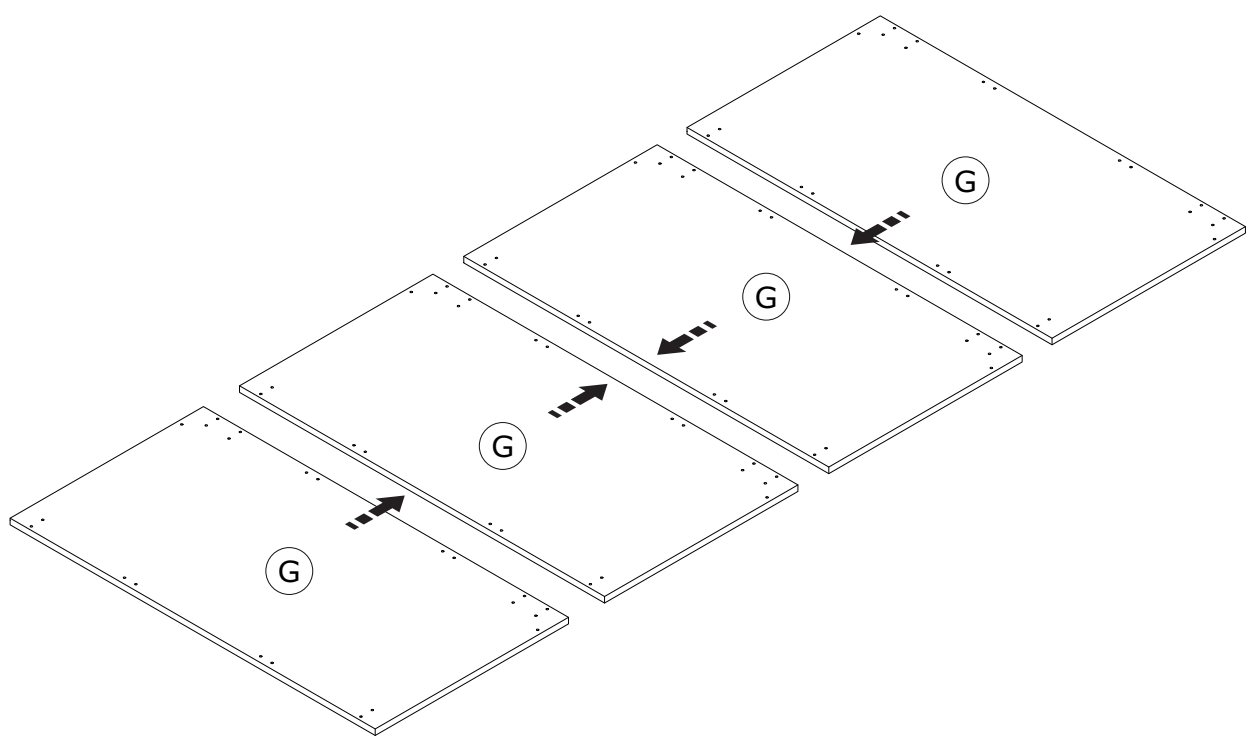
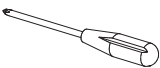


**FW** x1  
L. 2178mm

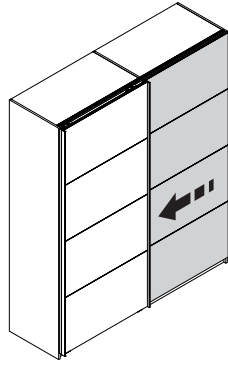


**AN3032**  
1267x545x16mm

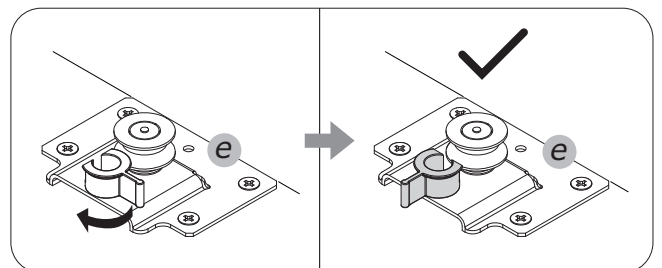
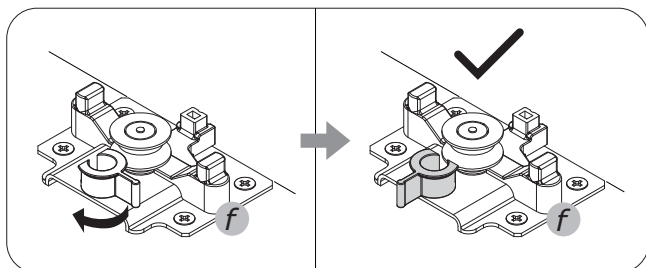
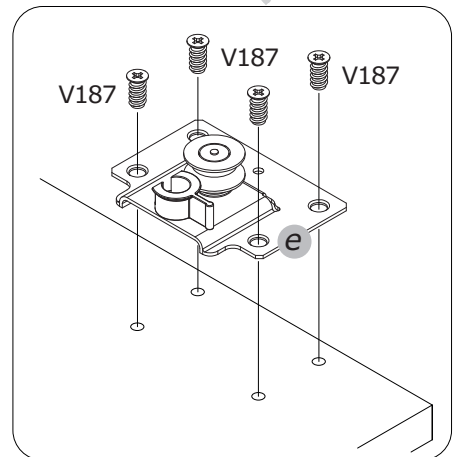
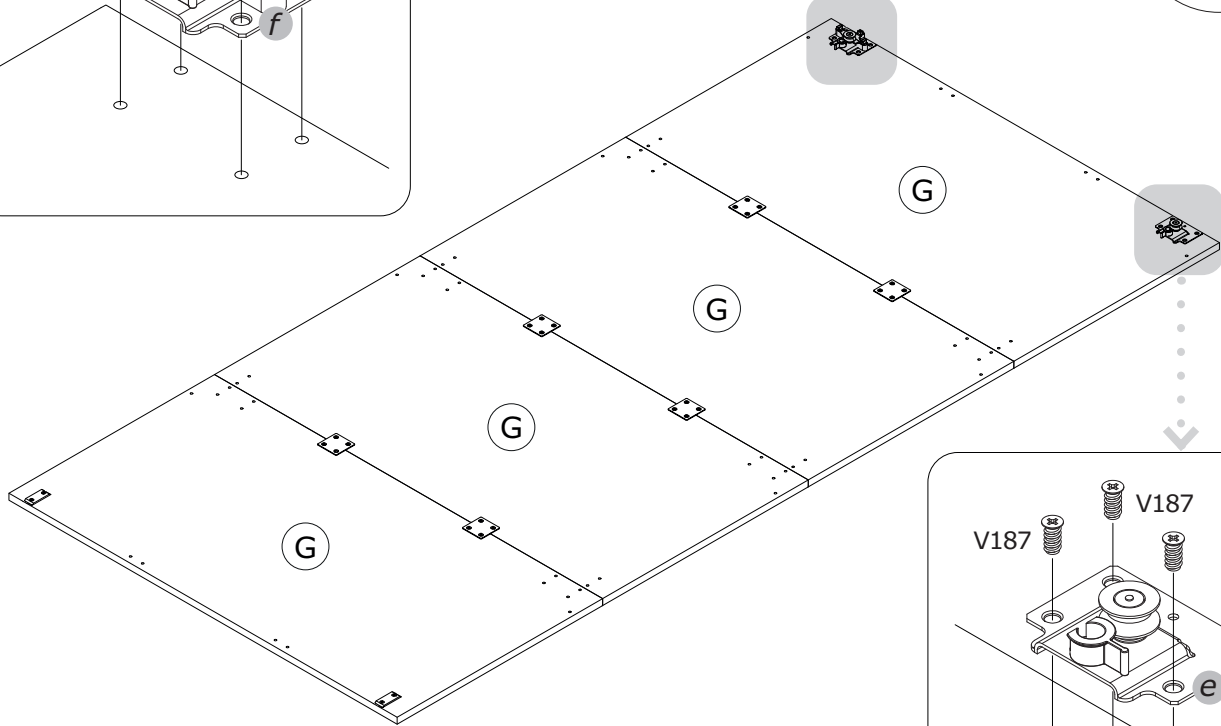
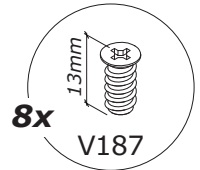
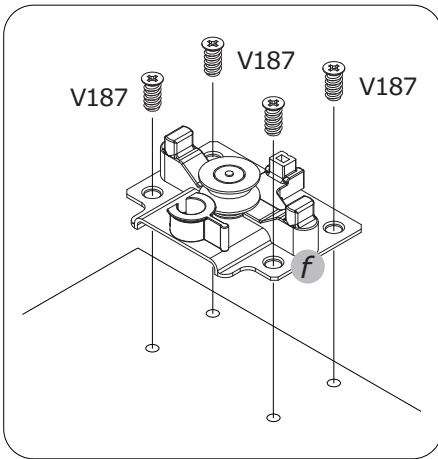
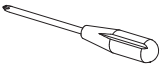
1



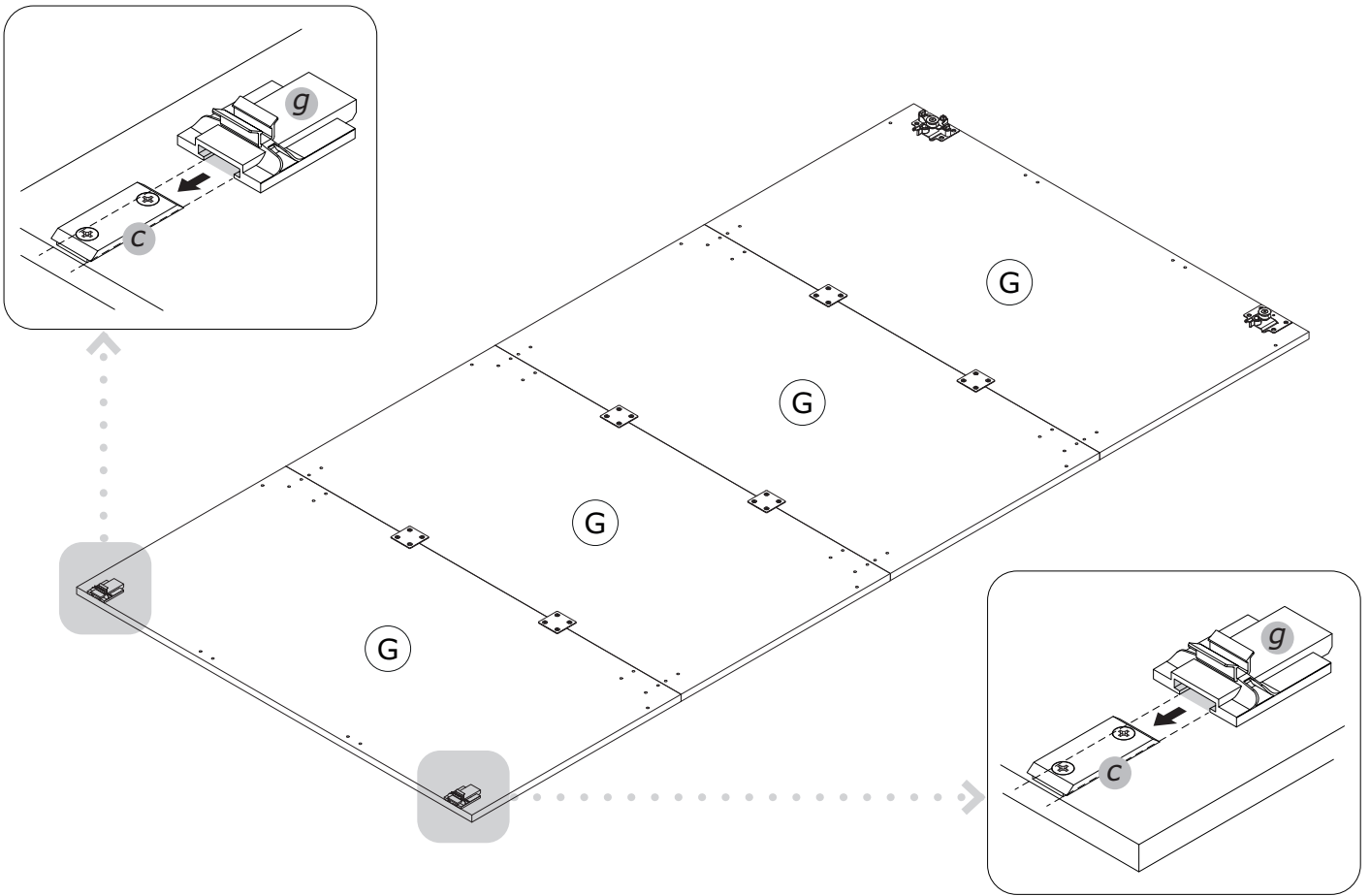
# A



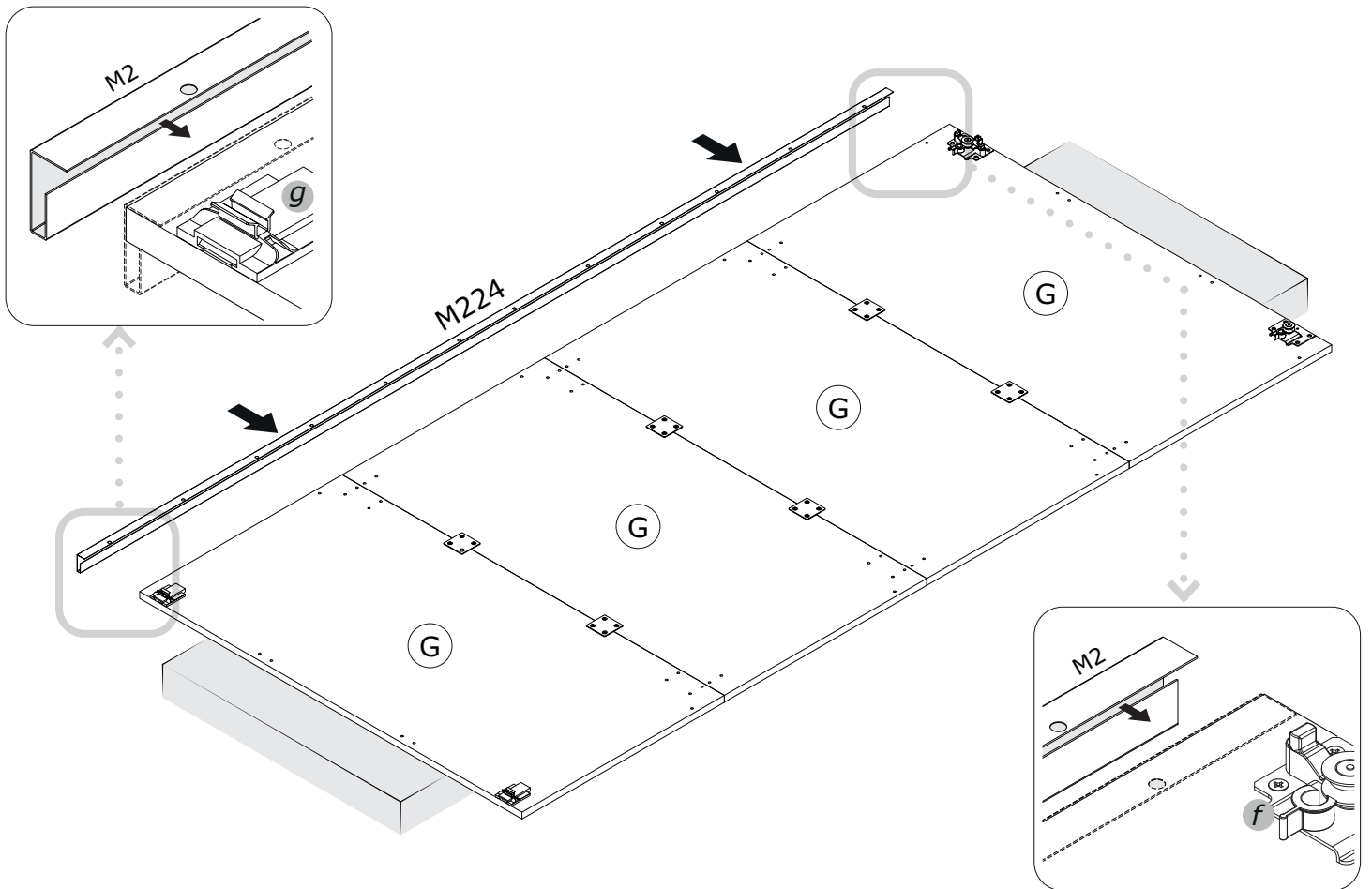
## 2 A



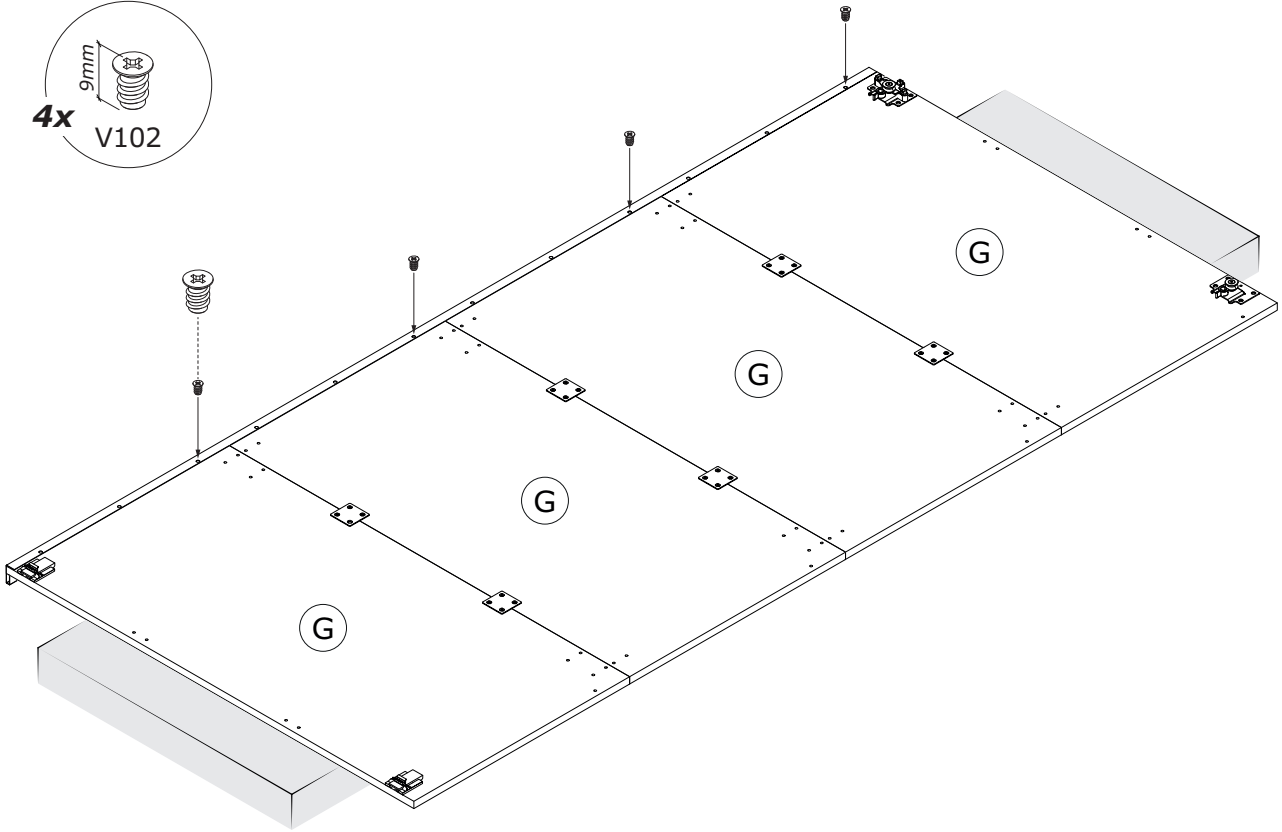
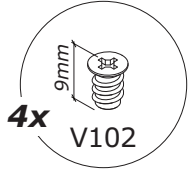
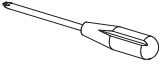
**3 A**



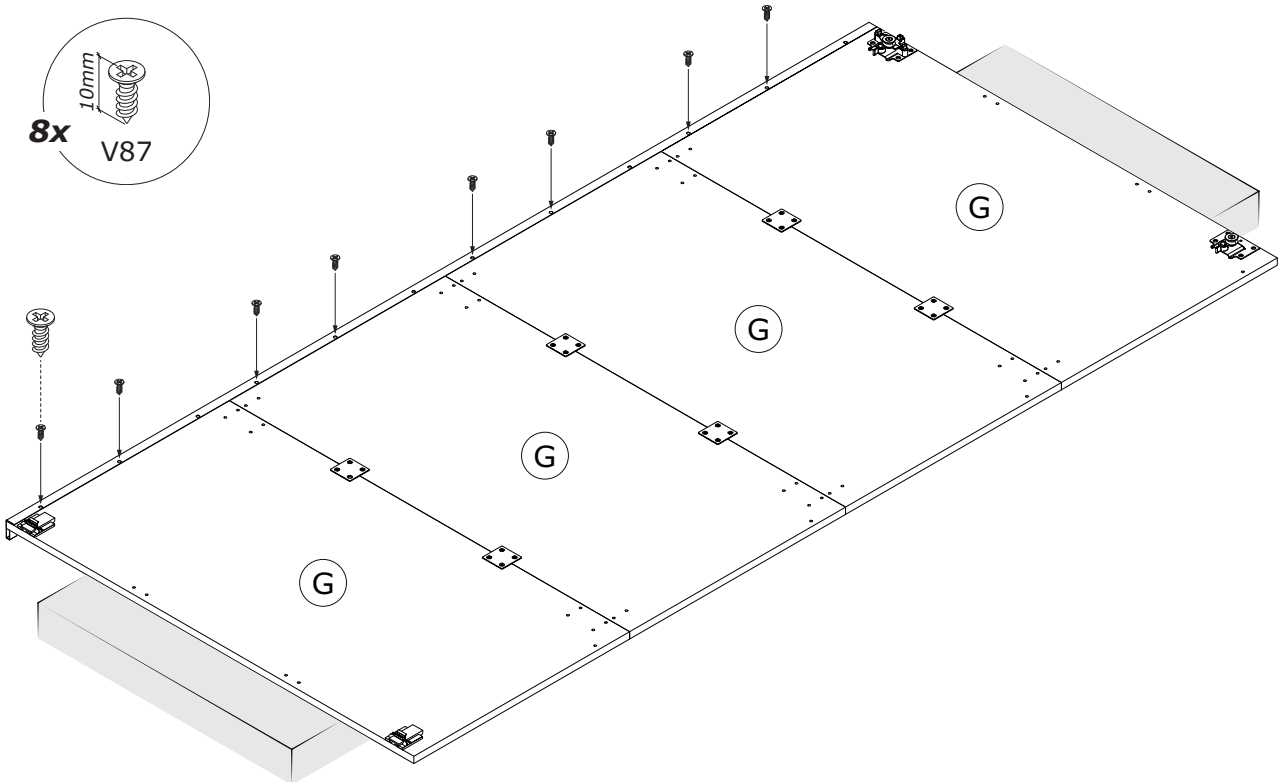
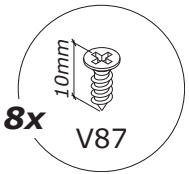
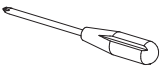
**4 A**



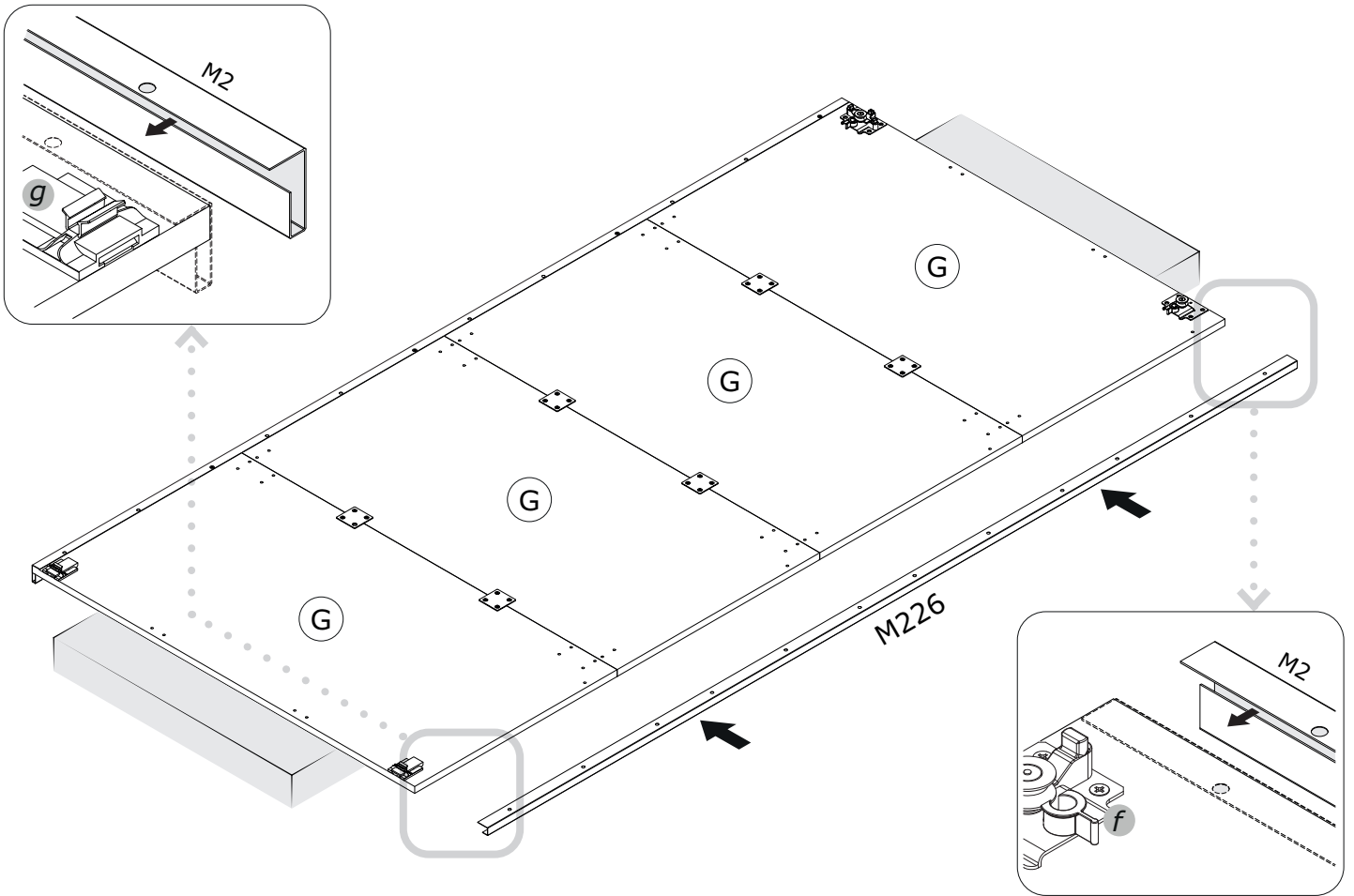
**5 A**



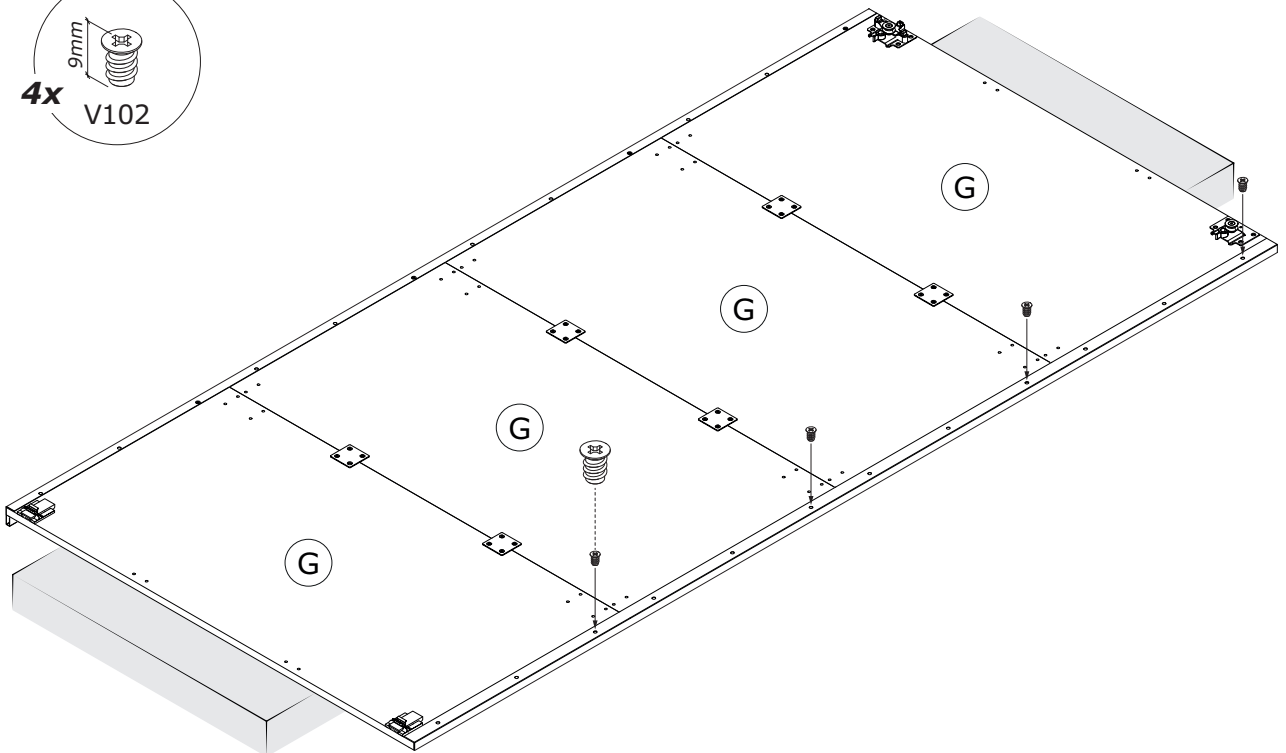
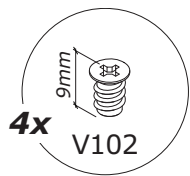
**6 A**



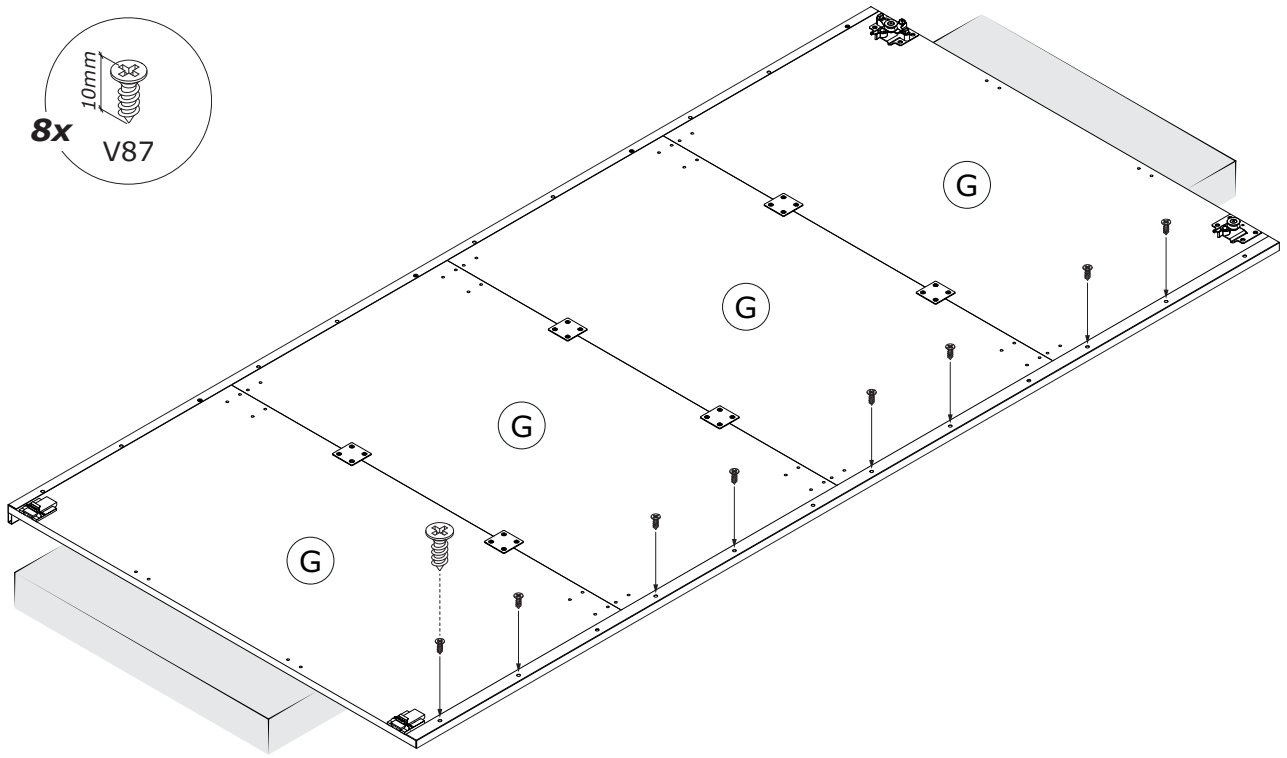
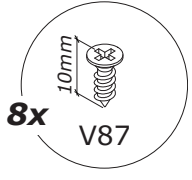
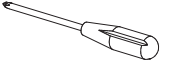
**7 A**



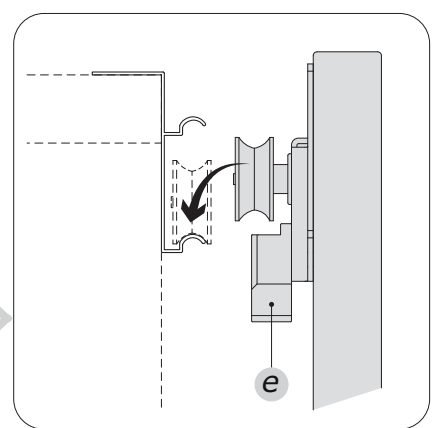
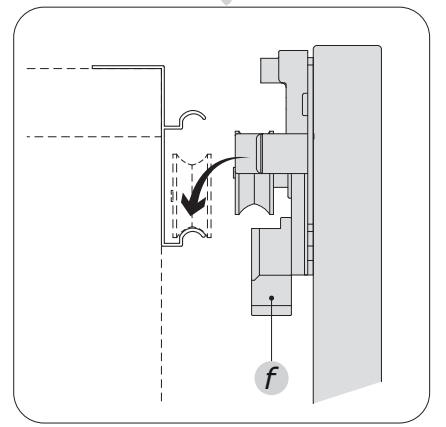
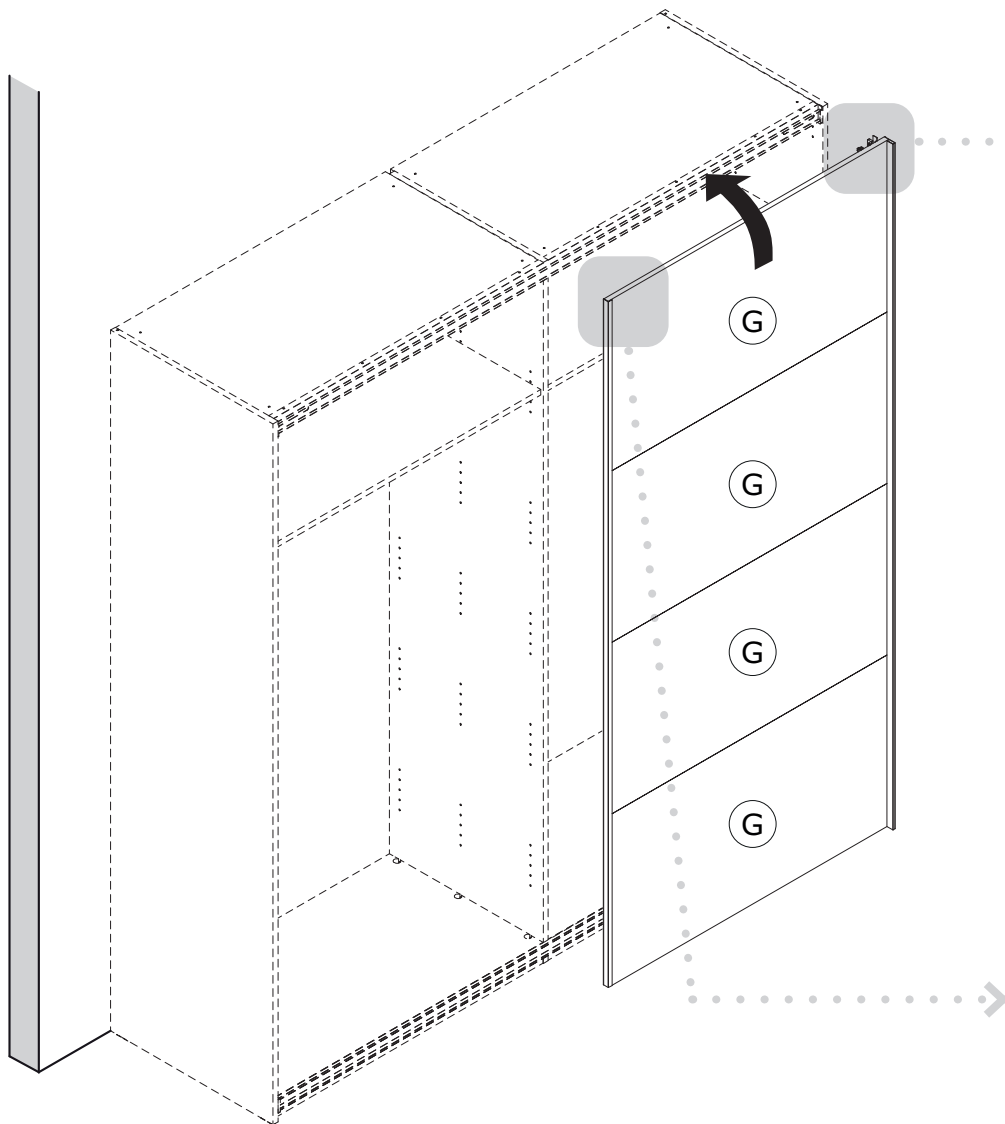
**8 A**



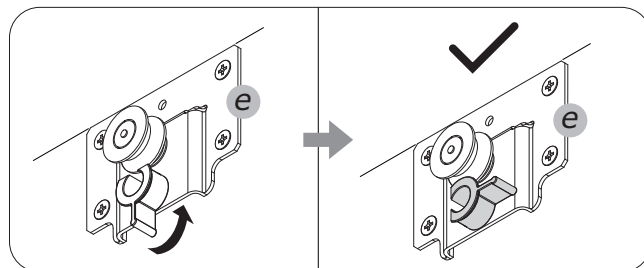
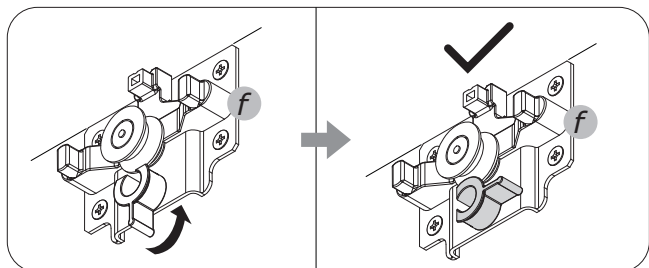
**9 A**



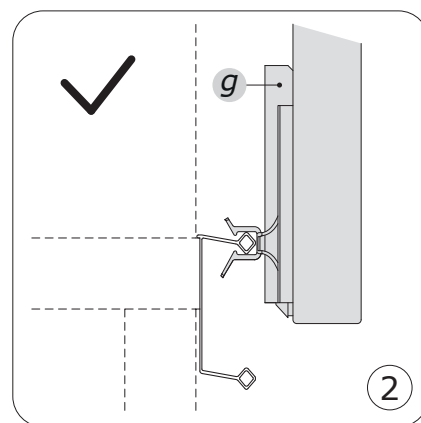
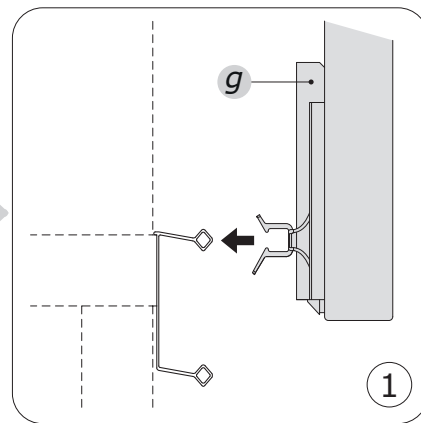
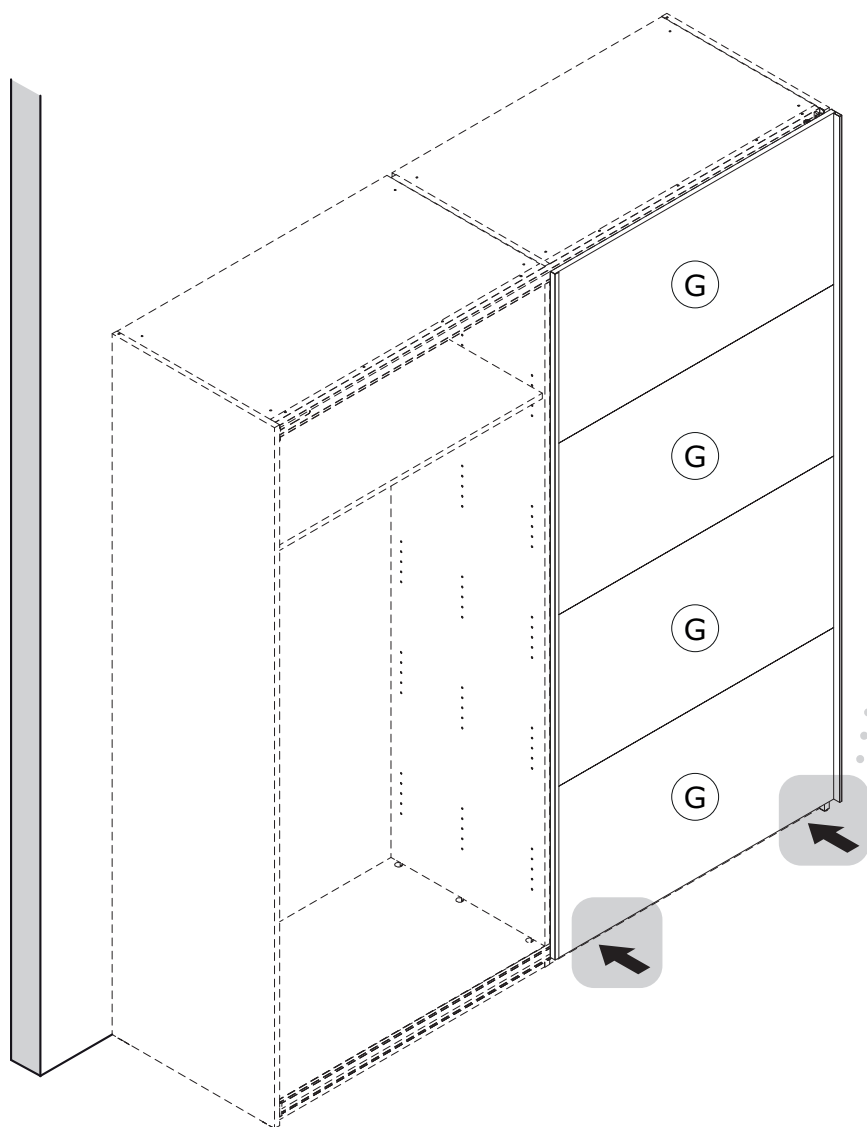
**10 A**



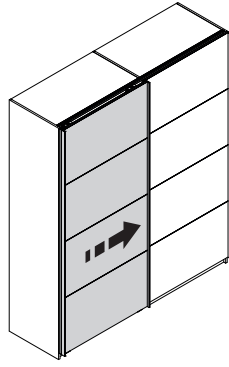
**11** A



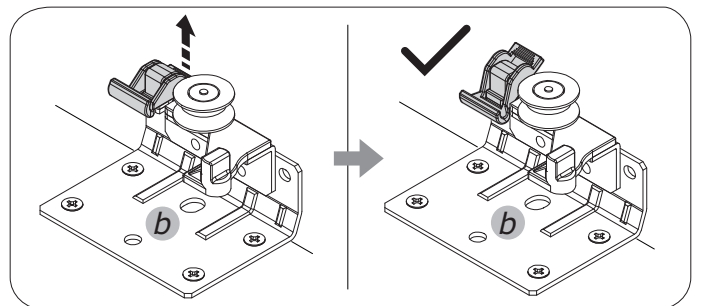
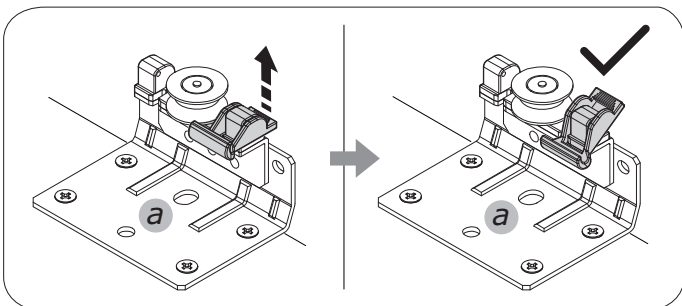
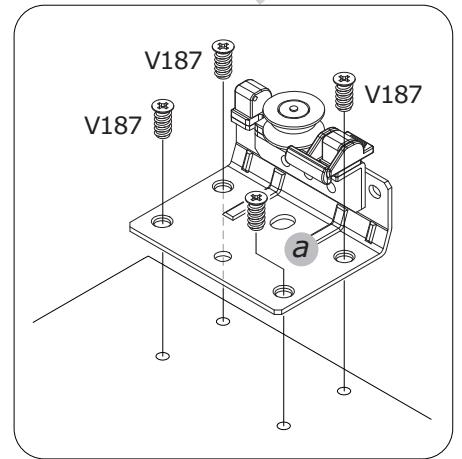
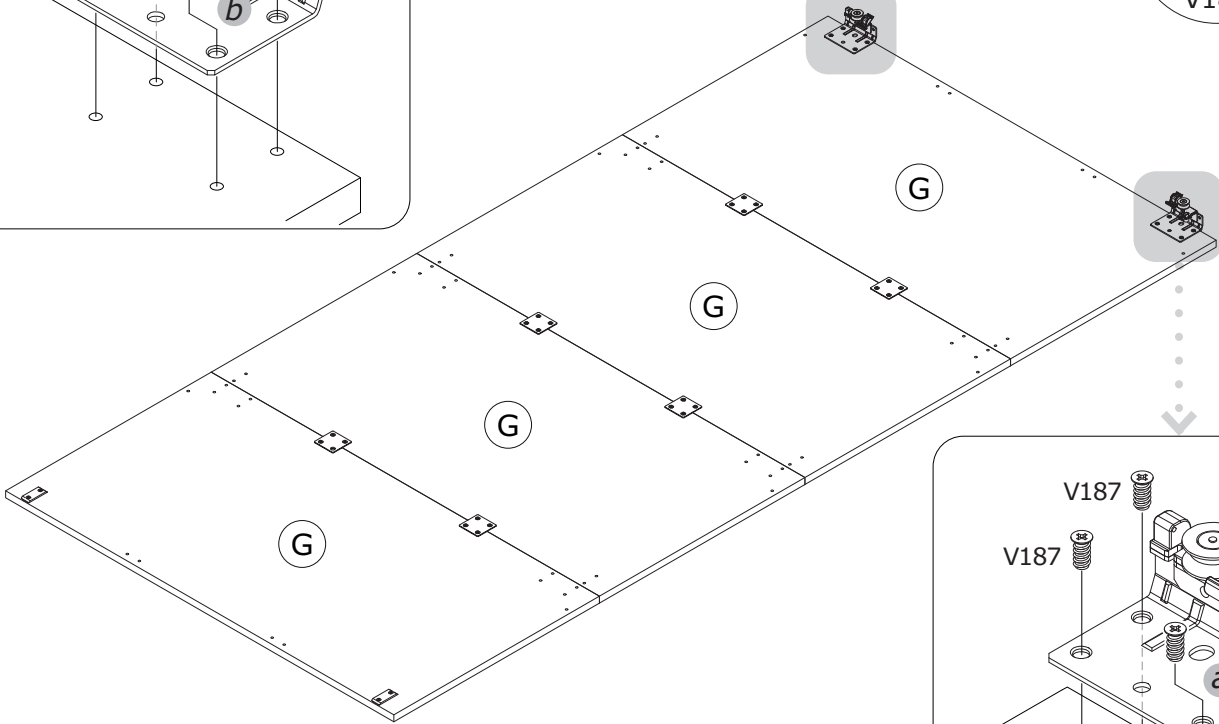
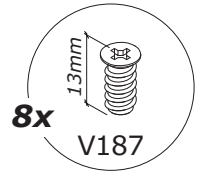
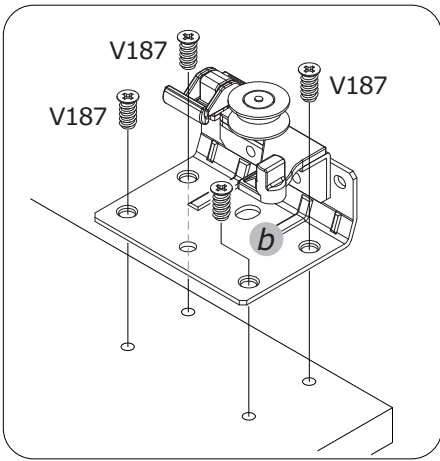
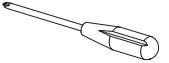
**12** A



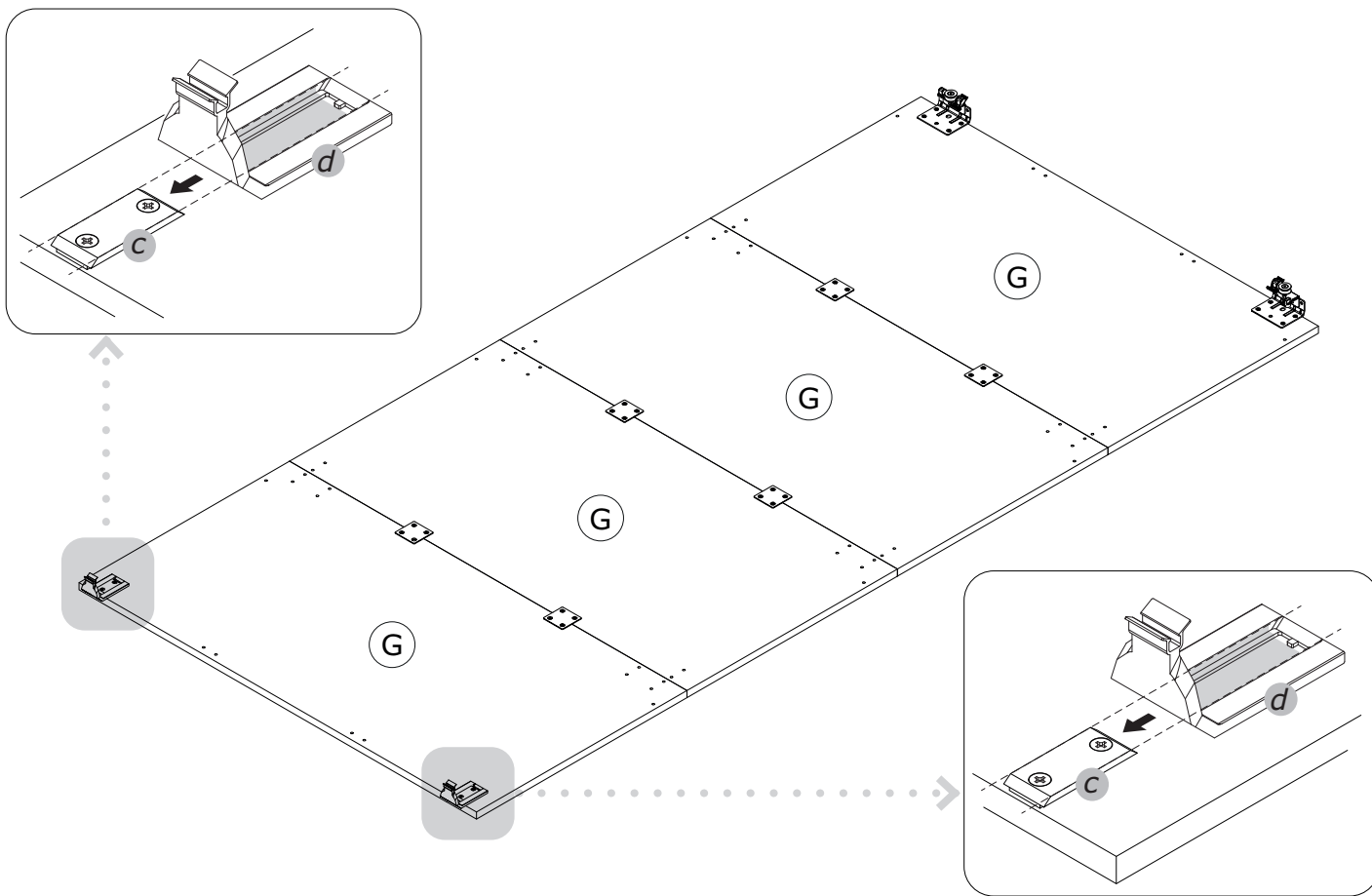
# B



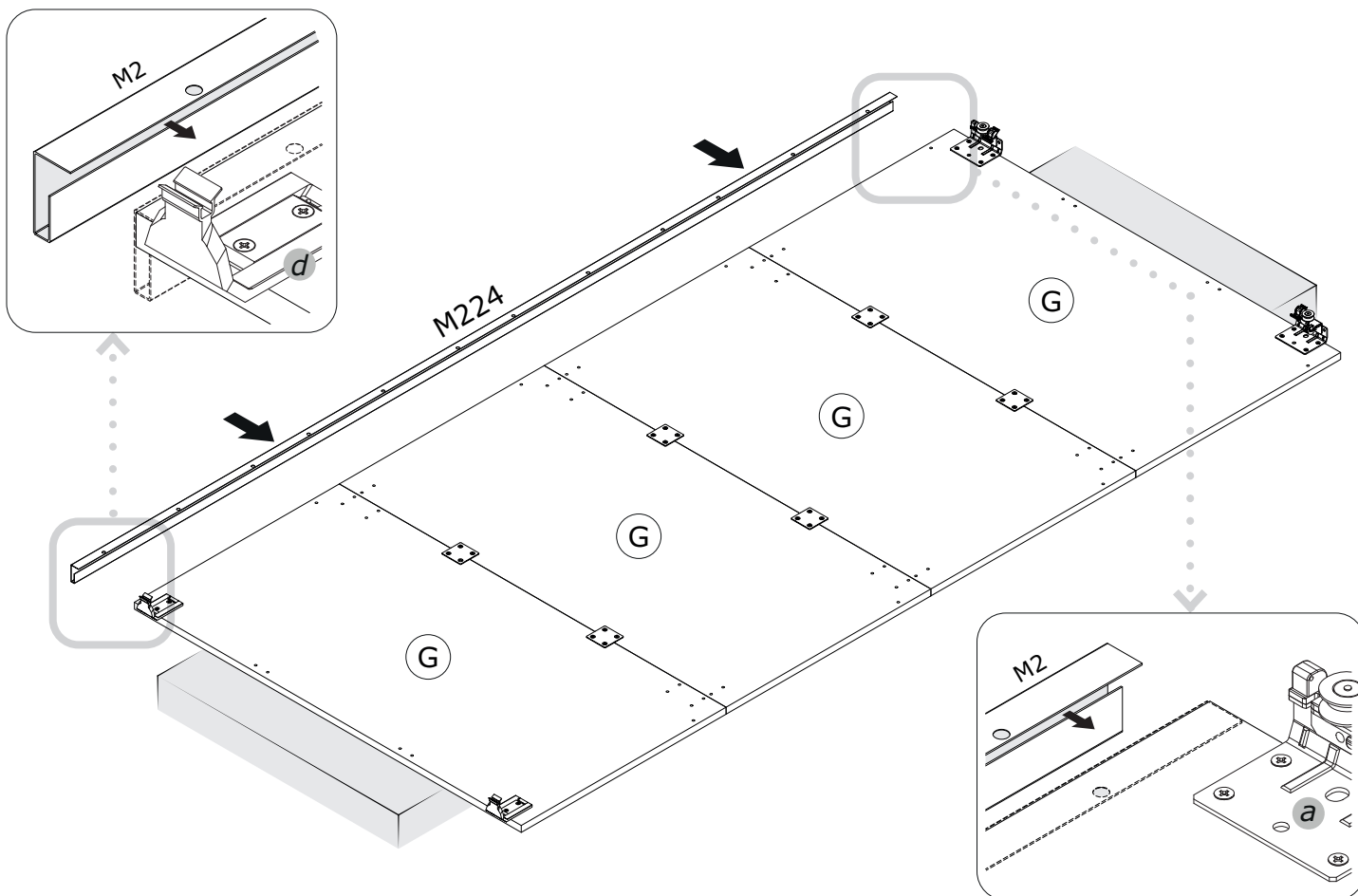
## 13 B



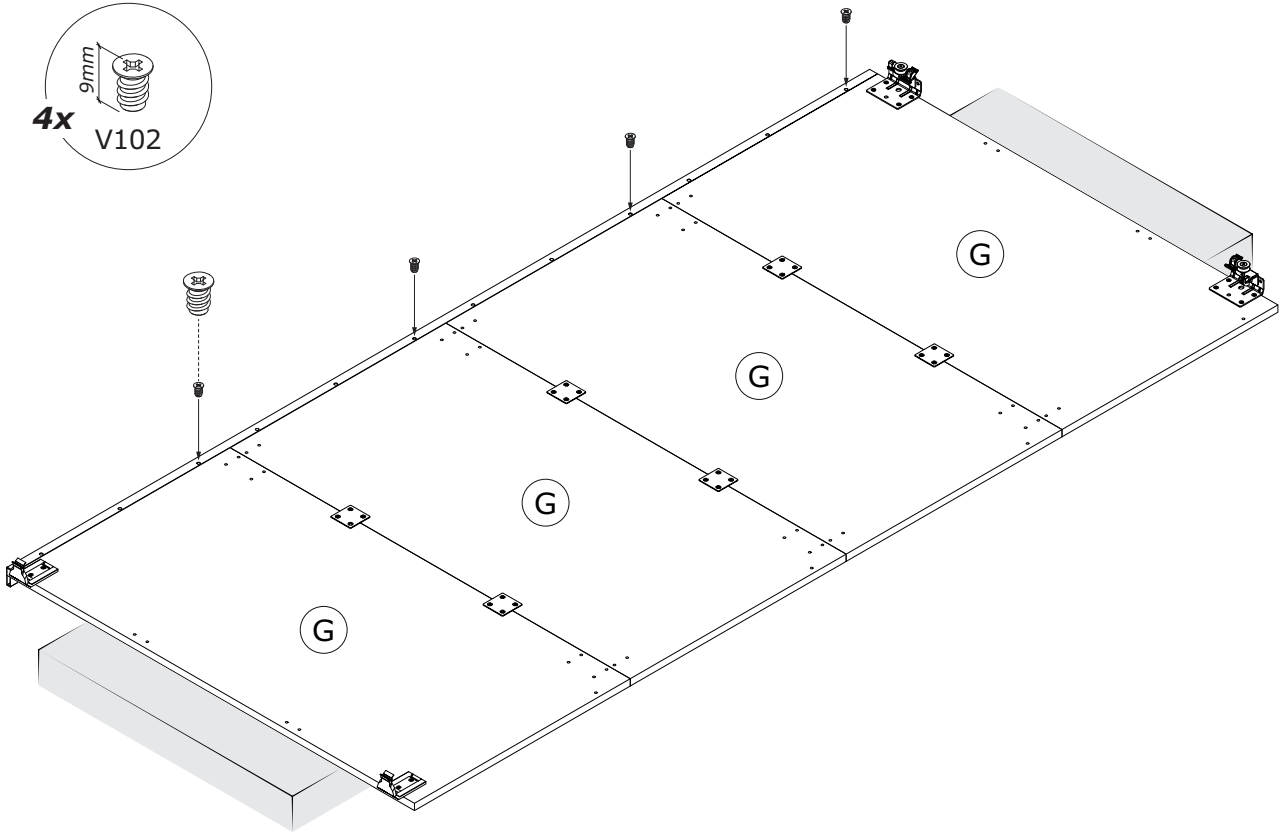
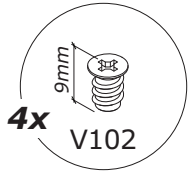
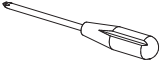
**14 B**



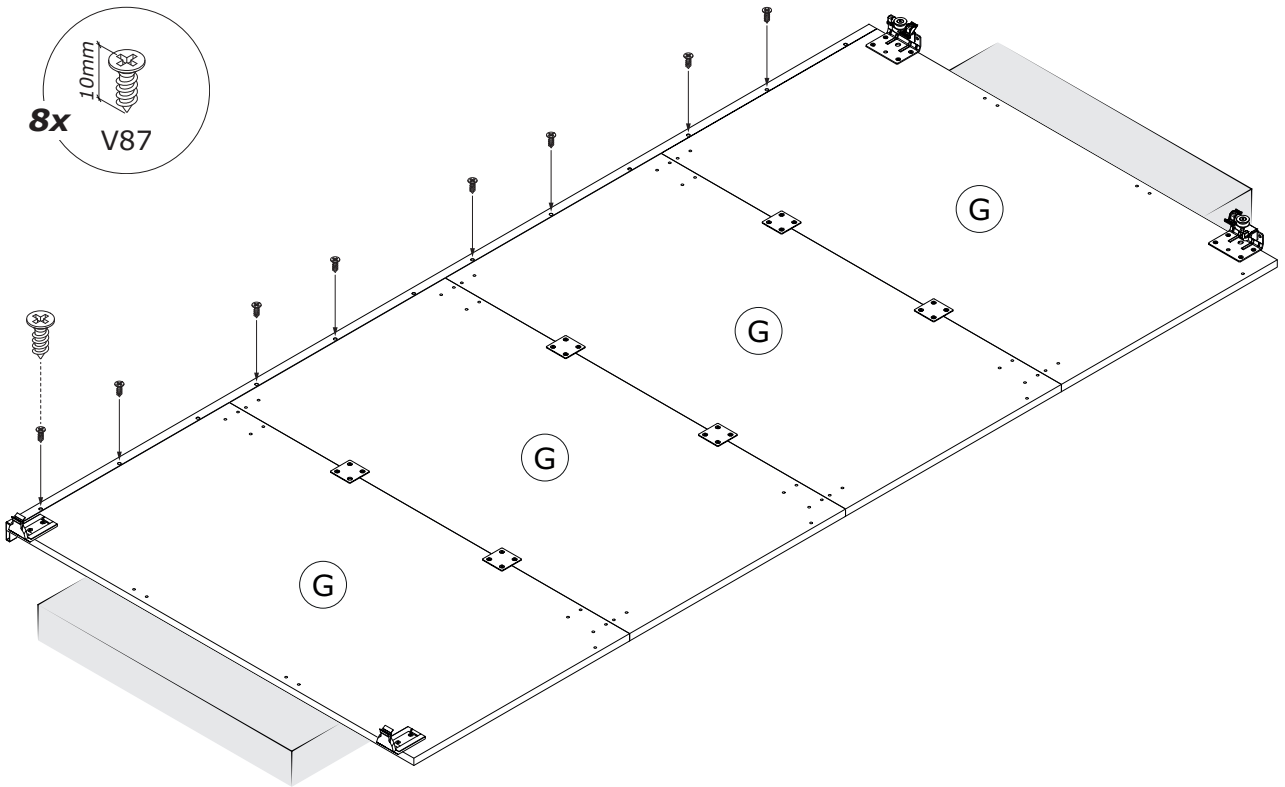
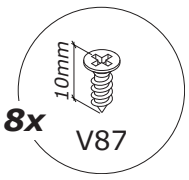
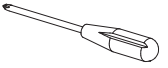
**15 B**



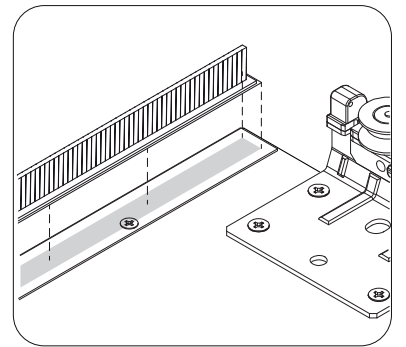
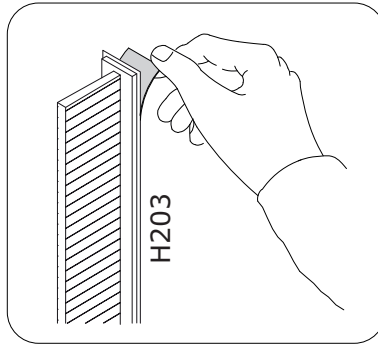
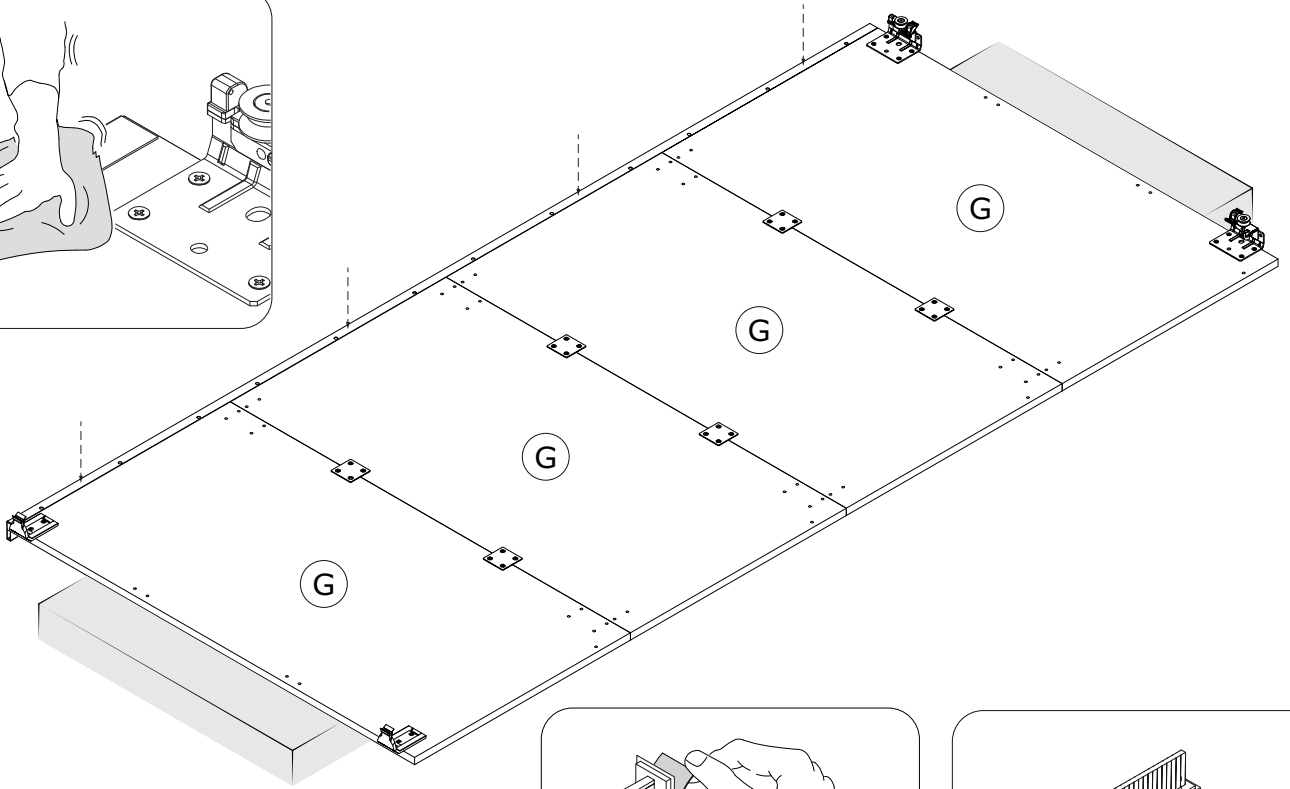
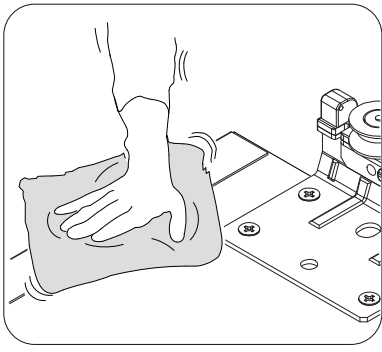
**16 B**



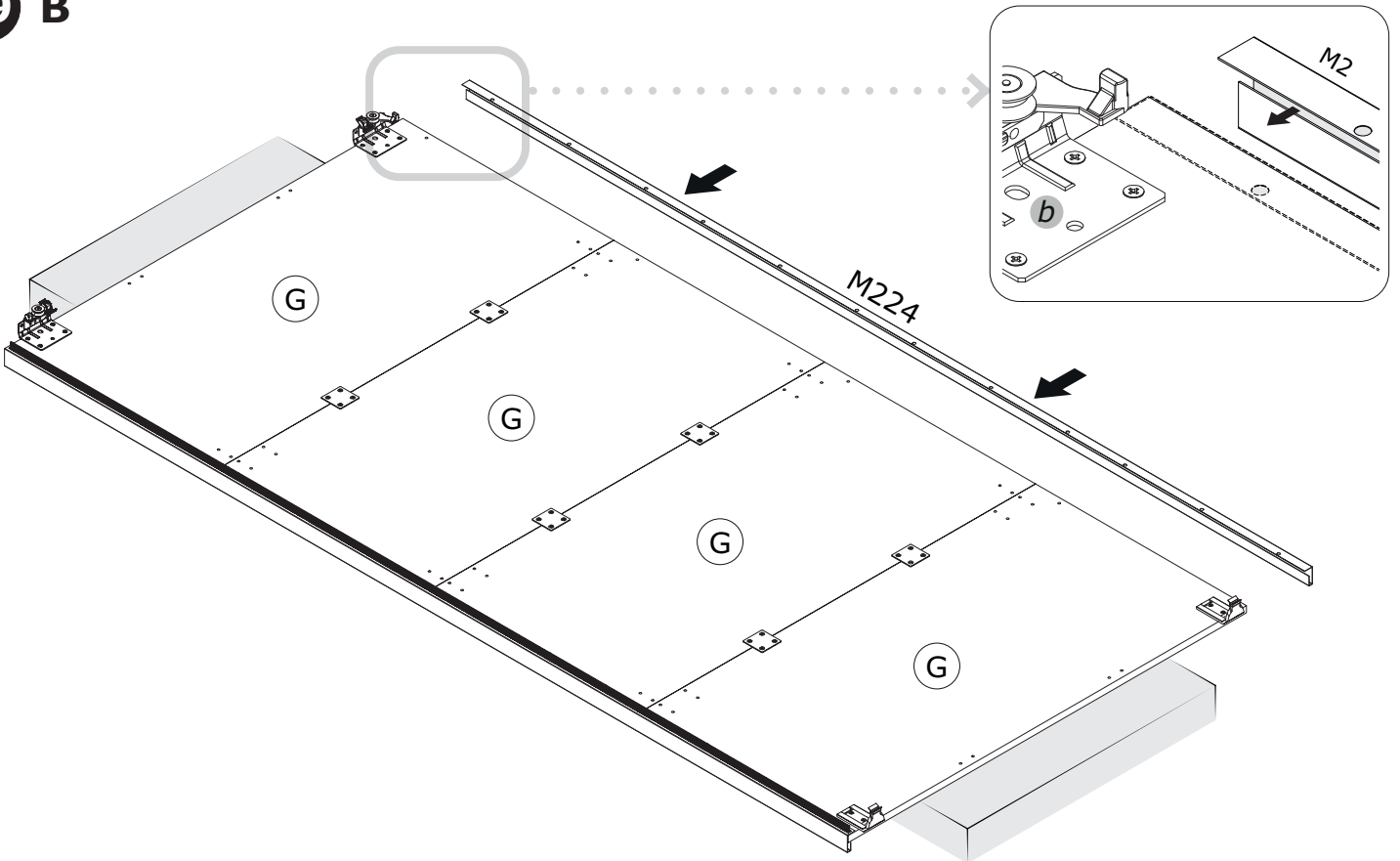
**17 B**



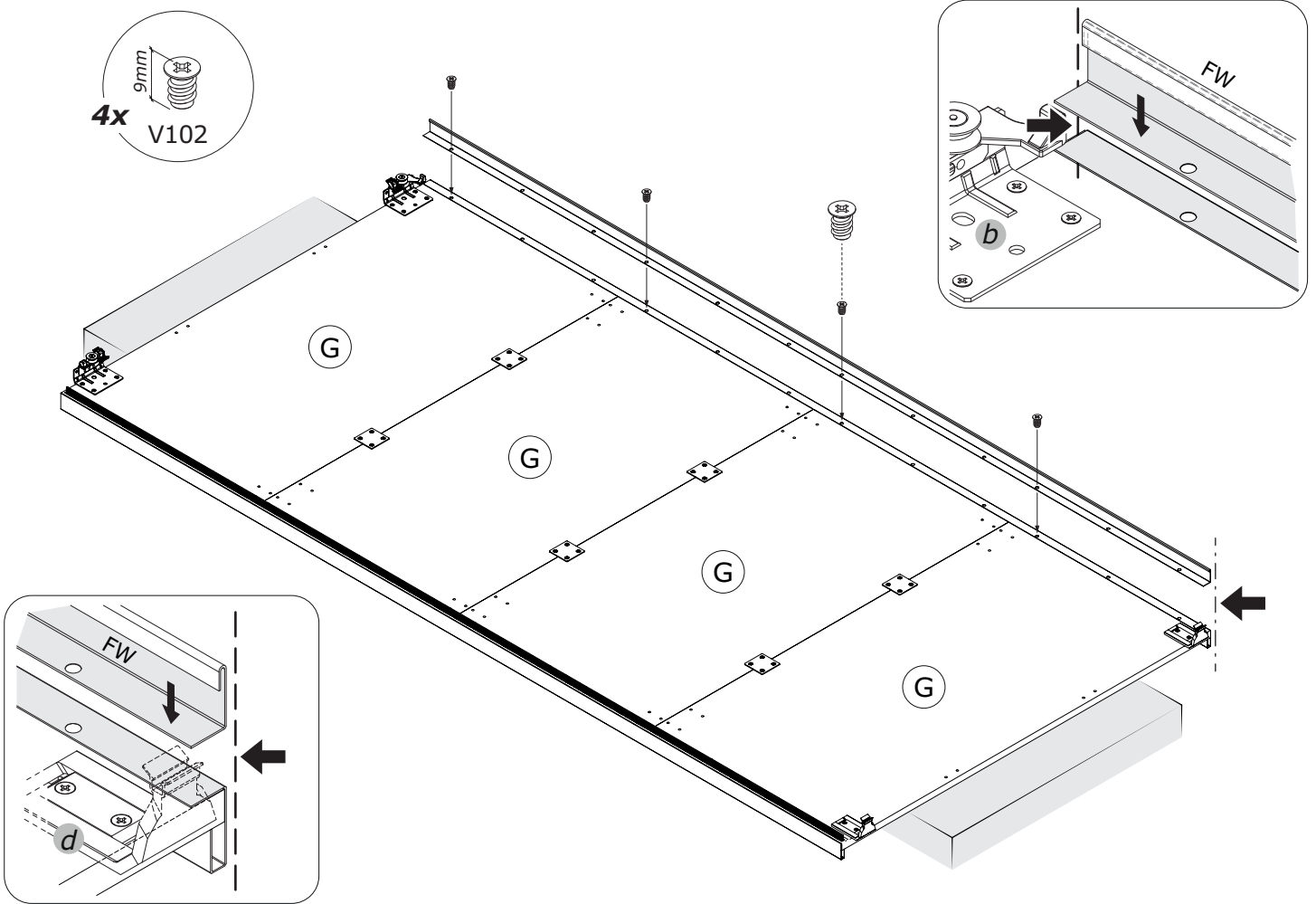
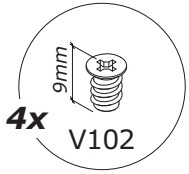
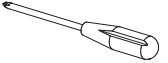
**18 B**



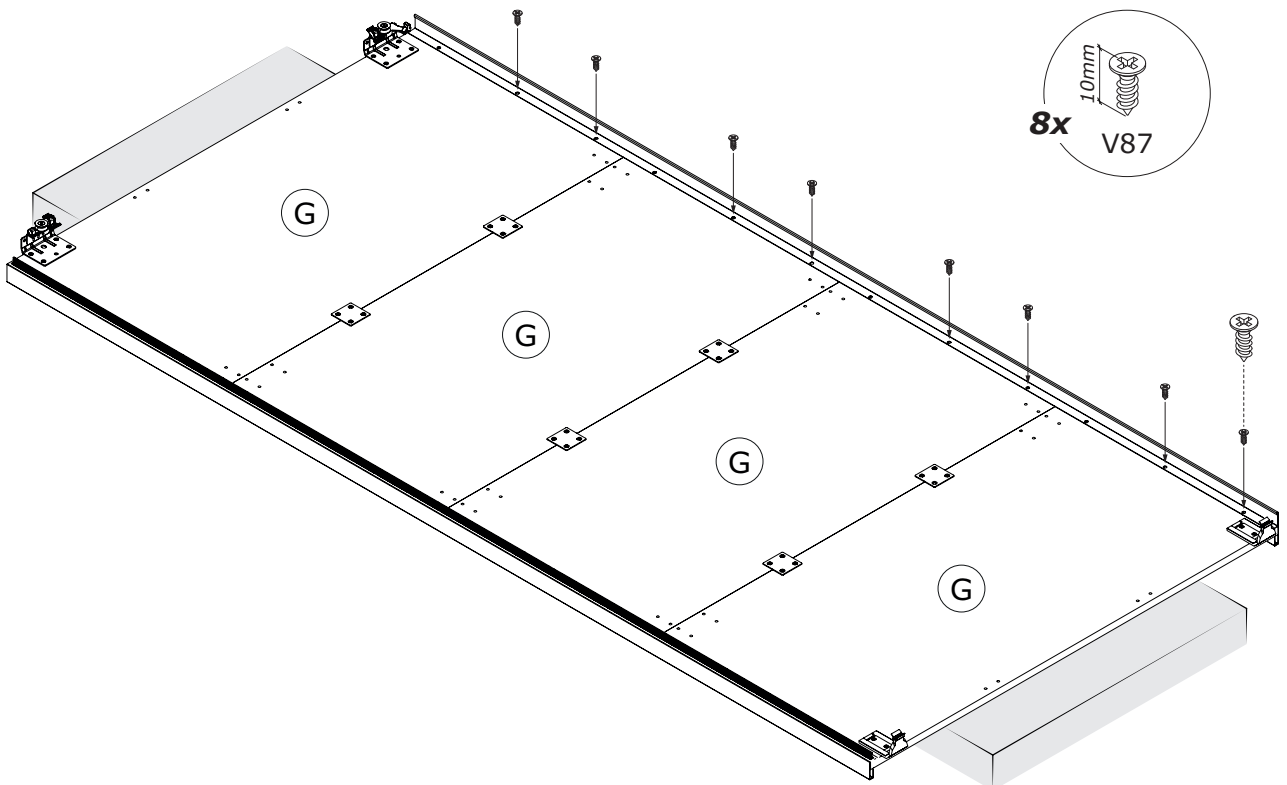
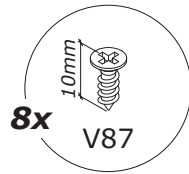
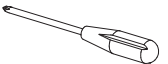
**19 B**



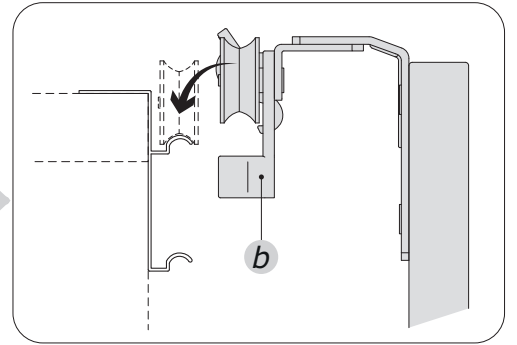
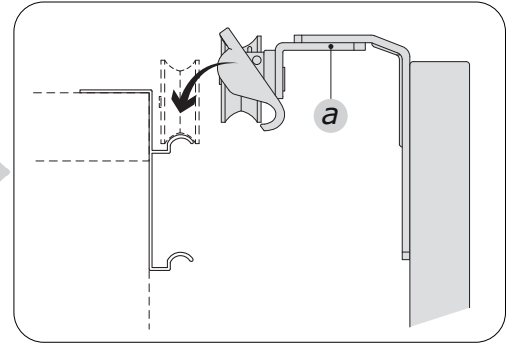
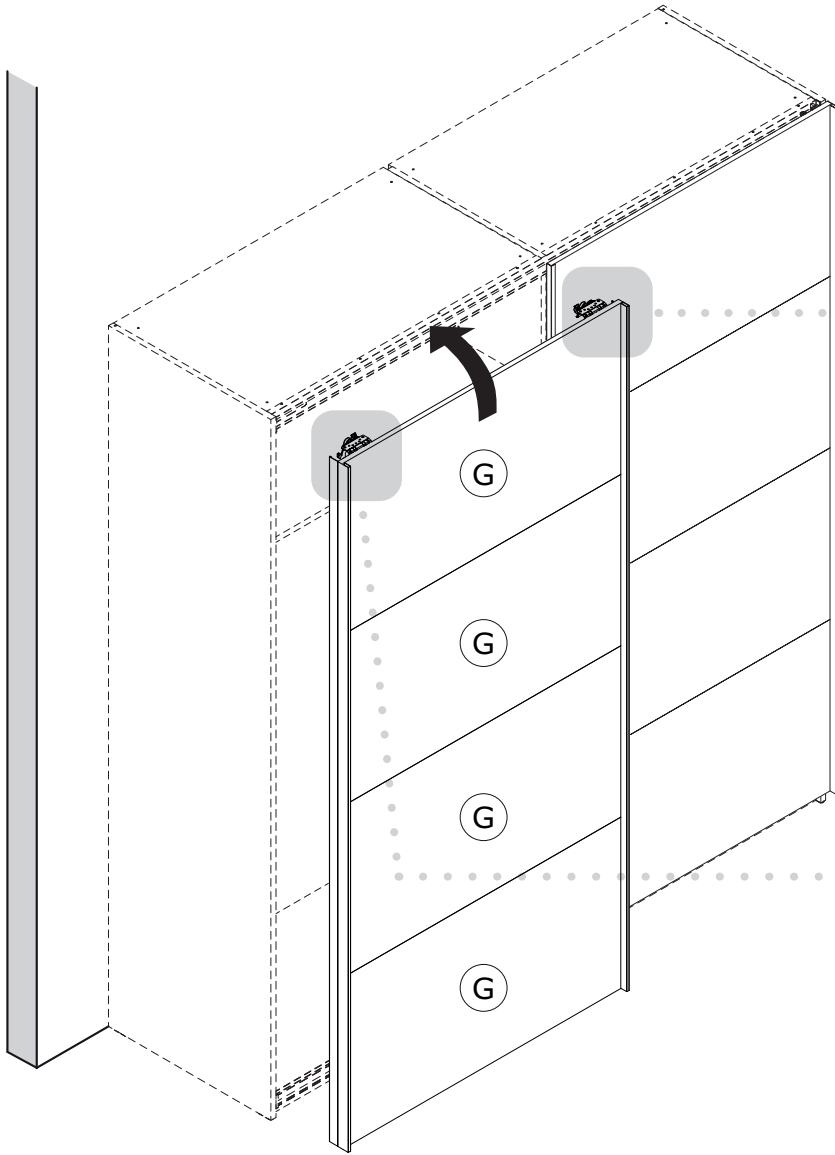
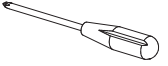
**20 B**



**21 B**



22 B



23 B

