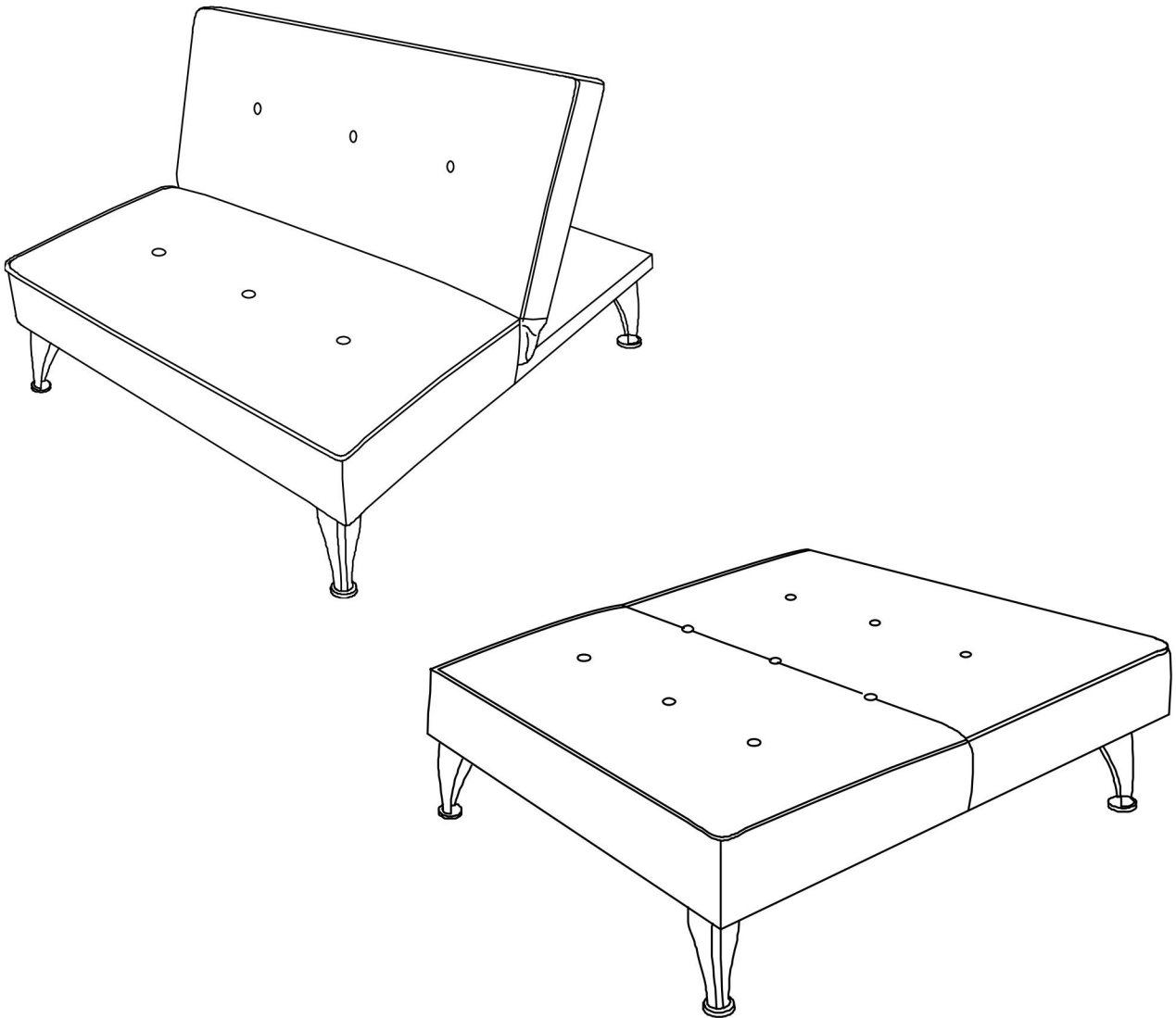


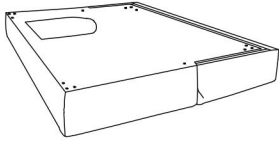

Assembly Instructions

Caution :You must read this before you proceed






CLIK-CLAK Sofa



Parts List

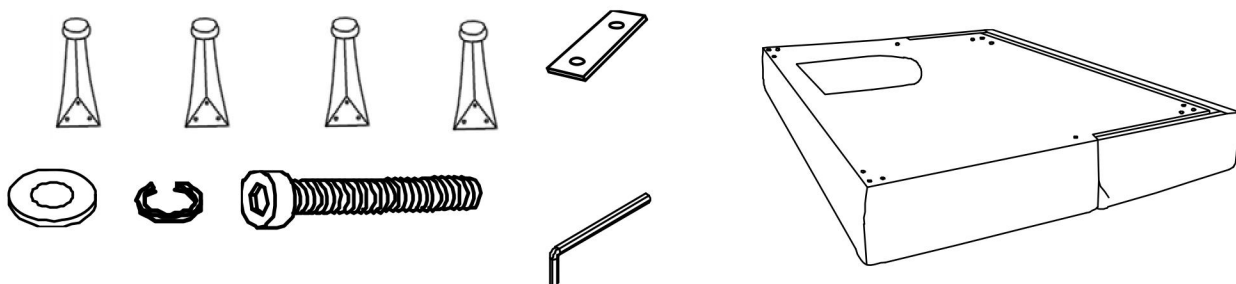
Label	Picture	Description	QTY
A		Sofa Bed	1
B		Steel Leg	4

Hardware

Label	Picture	Description	QTY
①		Washer	13
②		Spring Washer	13
③		Bolt (M8*30MM)	13
④		Allen Key	1
⑤		Connecting piece	1

Assembly Preparation

Before Beginning Assembly:



- Read instructions, cover to cover-



- Have 2 adults on hand for assembly-



- Do not assemble on flooring or carpet-

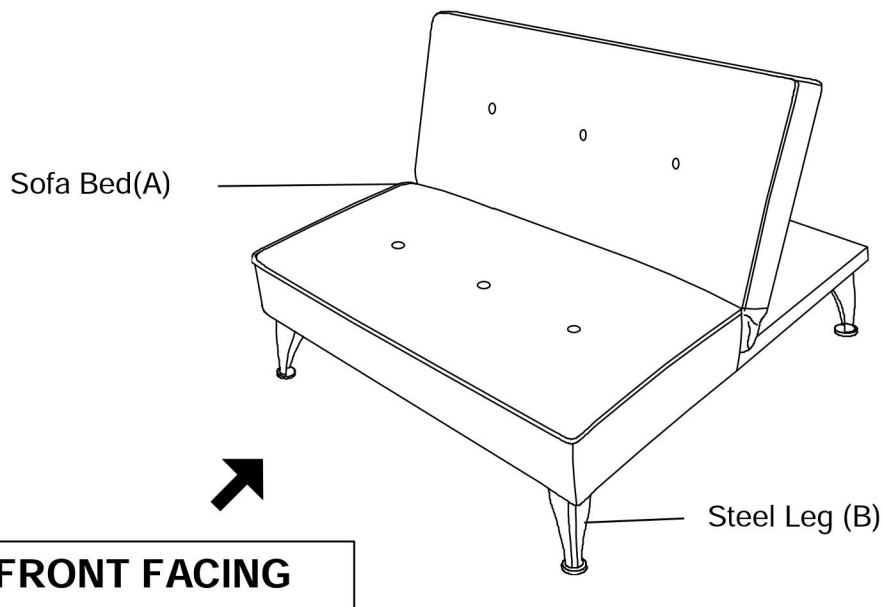


- Assemble on a clean non-marring surface (packing foam)-



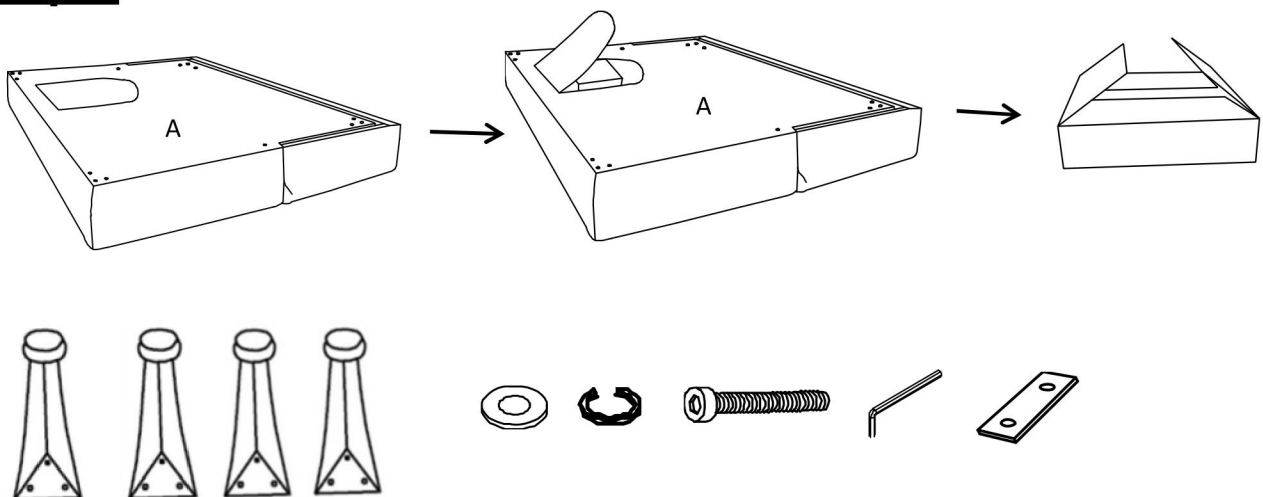
- Save all packaging until finished-

Assembly Steps



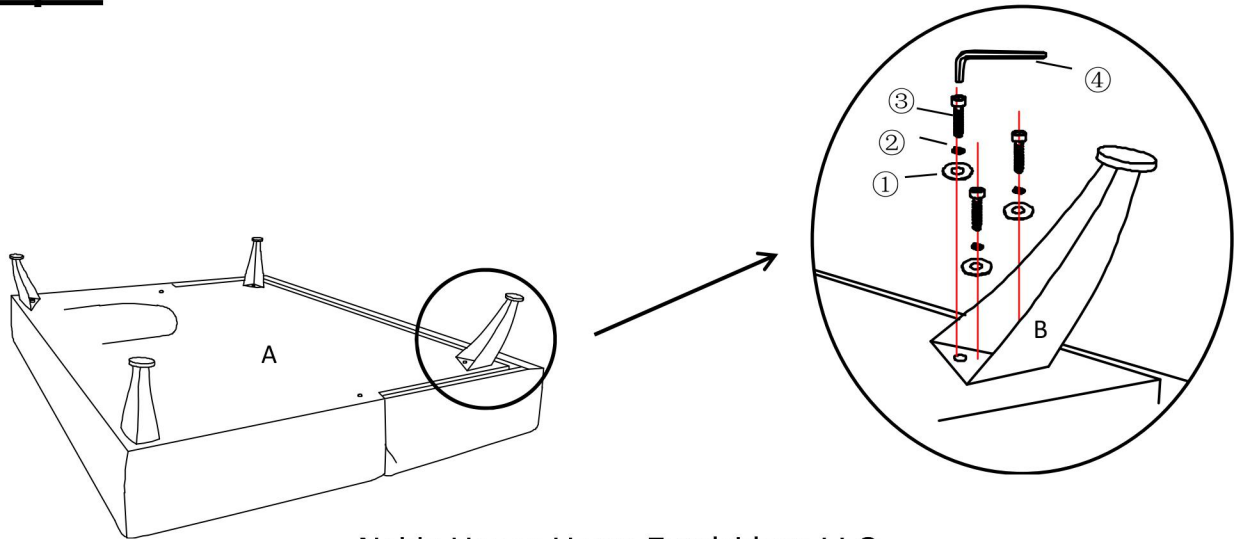
This Sofa has multiple parts and may require up to 30 minutes to assemble. To give you an overview of the Sofa parts, the above picture is to help you put the Sofa parts into perspective. Please read through the instructions to familiarise yourself with the parts and steps before assembly.

Step 1



Position the Sofa Beds(A) facedown on a clean, non-marring surface. Unzip the pouches and remove the inner boxes containing the Steel Legs(B), and Hardware(①, ②, ③, ④, ⑤). Zip-up the pouch.
CAUTION: The Sofa and it's parts are large and heavy, always have two or more adults assist you when moving and or lifting these.

Step 2

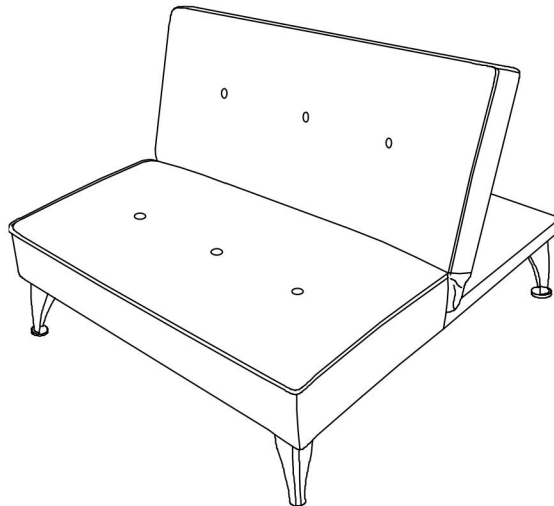


Noble House Home Furnishings LLC

Attach the Steel Legs(B) to the Sofa Beds(A), by using 3 Bolts(③)+3 Spring Washers(②)+3 Washers(①)+, with Allen Key(④) as shown in picture. Repeat the same process to install the remaining three Legs.

CAUTION: All Bolts should be installed fully tighten at first, and then tightened securely in an even, sequential manner.

Step 3



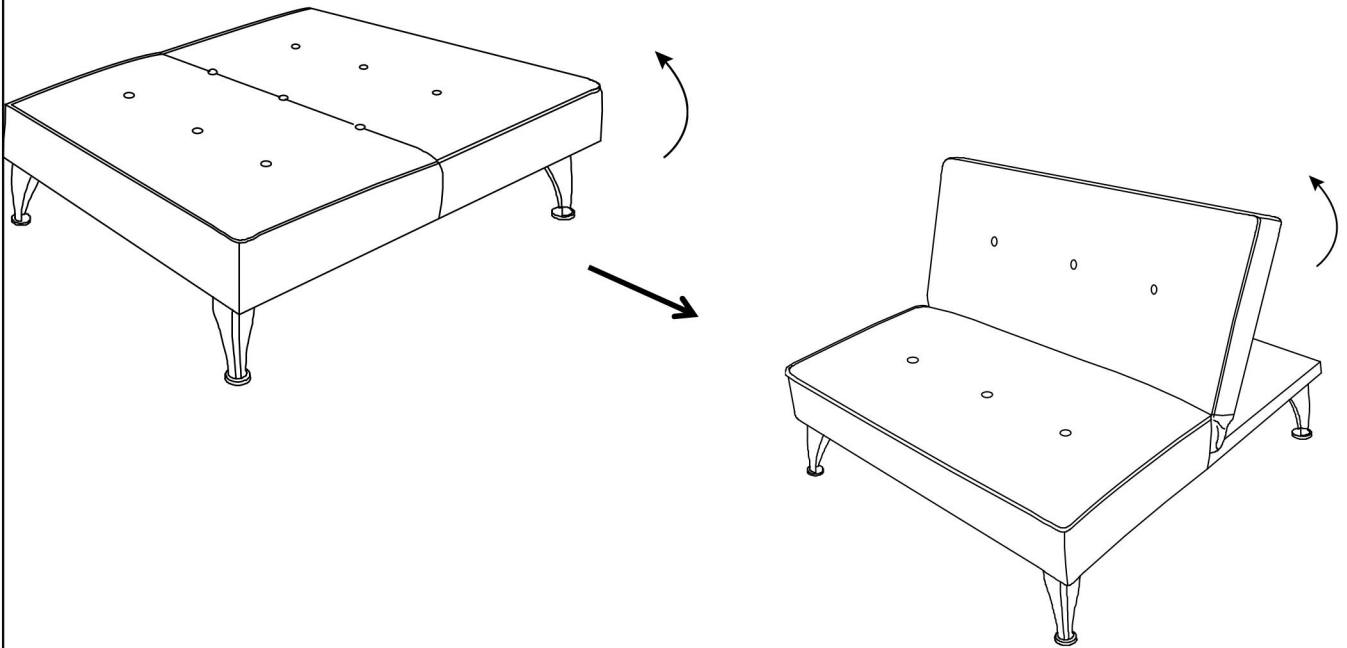
Position Sofa right side up and test for stability.

Note: The use of Spring Washer Rings are OPTIONAL and are especially useful to help alleviate slight wobbleness. Some Legs may need more than one Spring Washer Rings whilst some legs may not need any Spring Washer Rings. Add or remove Spring Washer Rings where needed to achieve stability.

Your "CLIK-CLAK Sofa" is ready for use.

Caution: This Sofa can only be used on a flat, level surface.

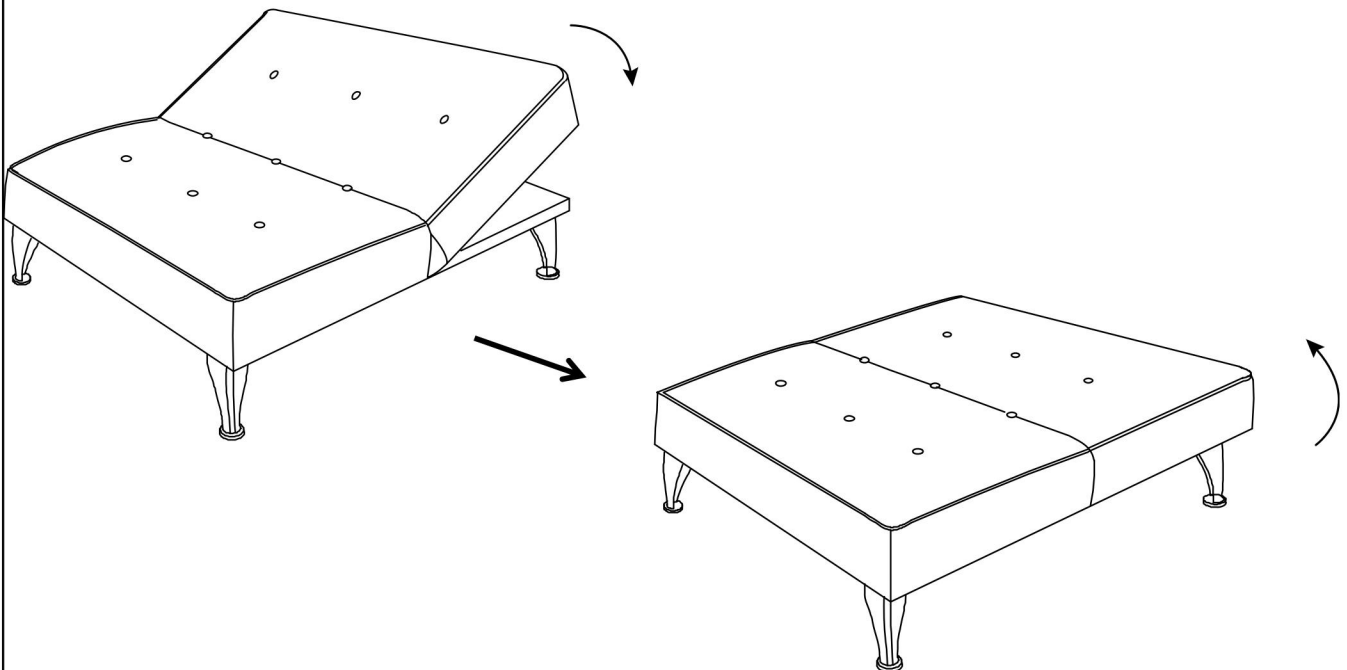
Step 4



Turn the Sofa Bed rightside up.

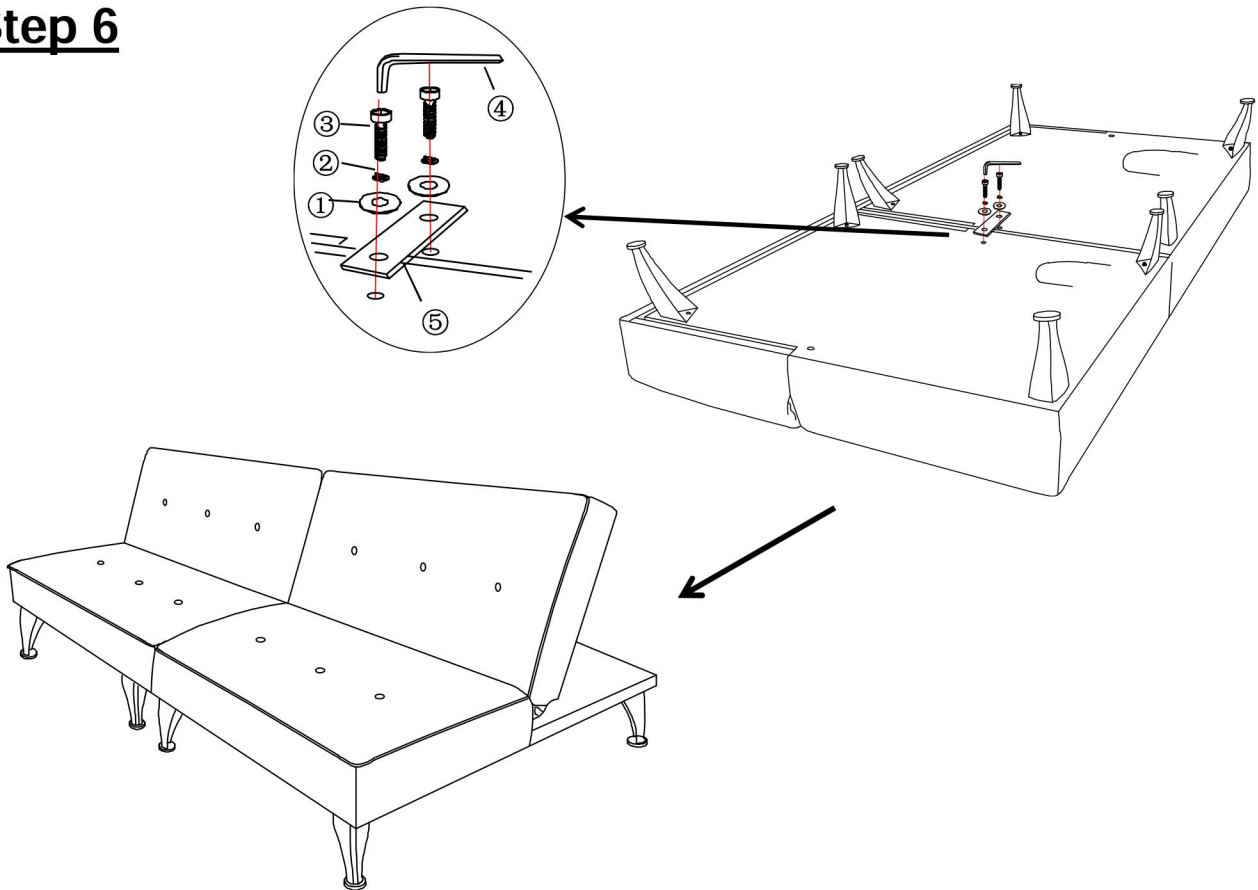
To adjust the Bed to a Sofa, lift the back rest until it "CLIKS" into the desired position.

Step 5



To turn Sofa into bed, pull backrest forward and gently place into flat position.

Step 6



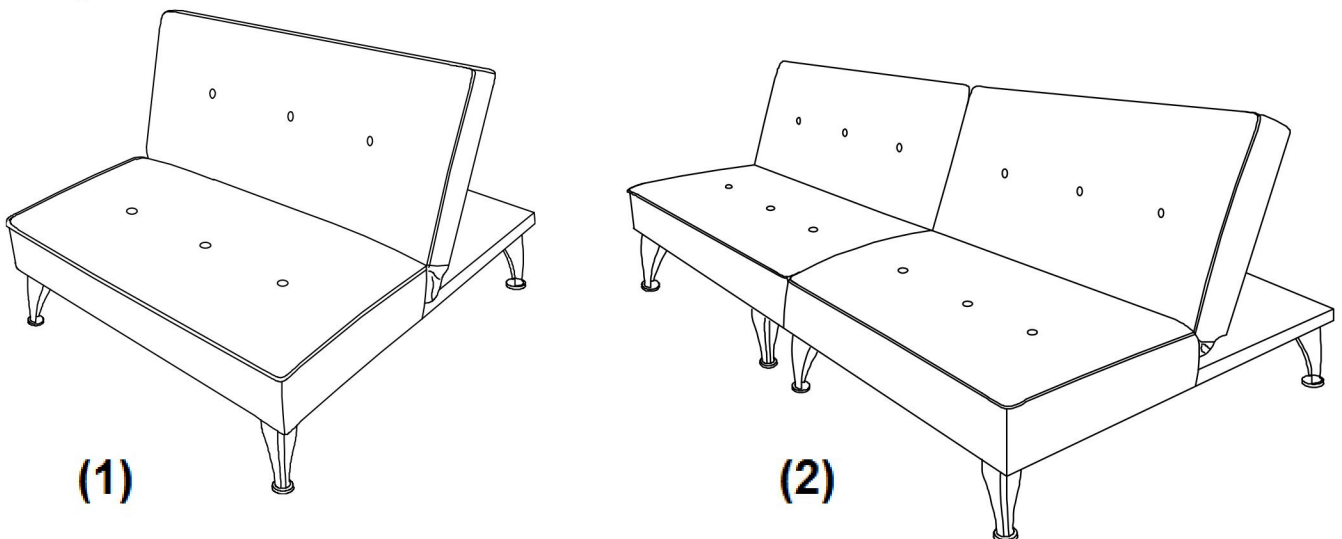
The Sofa can also be used as a double Sofa as shown in Picture. (if you buy two pieces of Sofa)

Position the two Sofa Beds(A) together in line as shown.

Attach the Connecting piece(⑤) to connect the two Sofa Beds(A) together using 2 Bolts(③)+2 Spring Washers(②)+ 2 Washers(①)+with Allen Key(④) as shown in picture.

CAUTION:All Bolts should be installed fully tighten at first, and then tightened securely in an even, sequential manner.

Step 7



Your "CLIK-CLAK Sofa" is ready for use.

Caution: This Sofa can only be used on a flat, level surface.

Care & Maintenance



- Furniture may scratch floors. We recommend using furniture pads to protect your floors.



- Do not put hot items directly on furniture surface.



- Do not clean furniture with harsh cleansers or polish.



- Do not place furniture under direct sunlight.



- Do not place furniture near heating or cooling vents.



- Do not write on furniture without a padded barrier to protect the surface.



- Do not place furniture outside . For indoor use only.



- Not for commercial use. For residential use only.



- Stains may be removed with mild soap solution and damp cloth.



- Children should not climb or jump on the furniture.



- Dust and pick-up spills using a clean, non-colored, lint-free cloth.