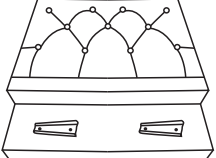
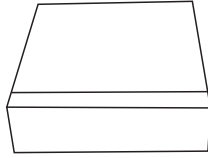
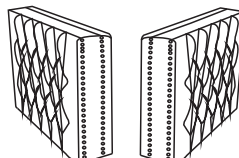
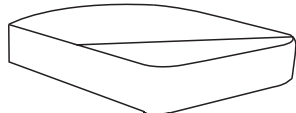
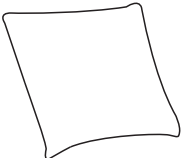
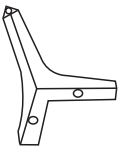
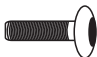

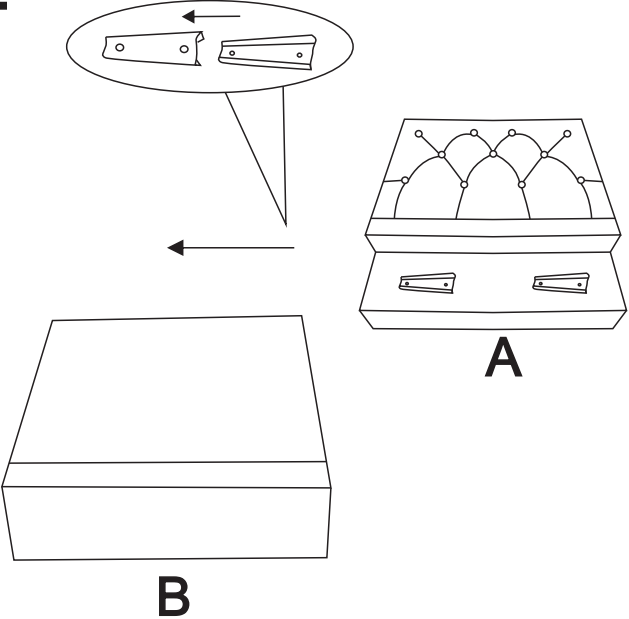
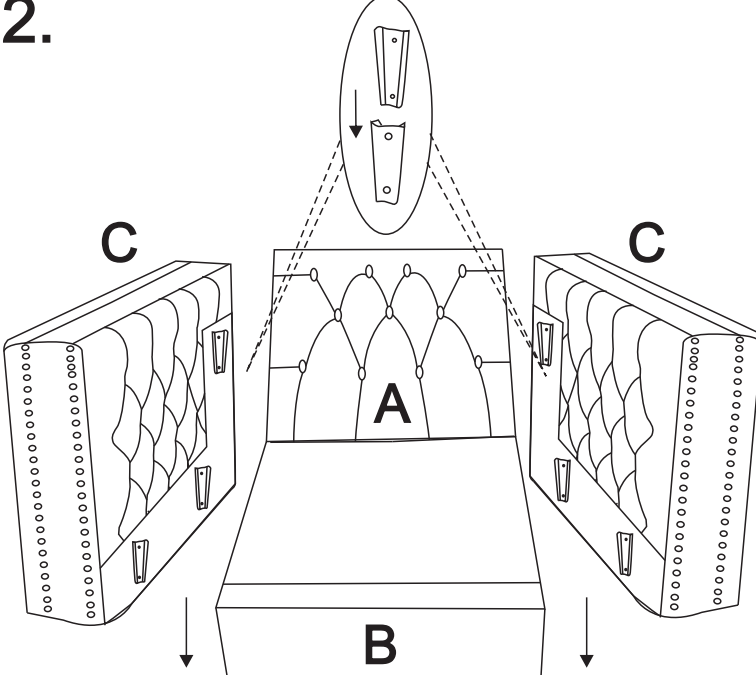
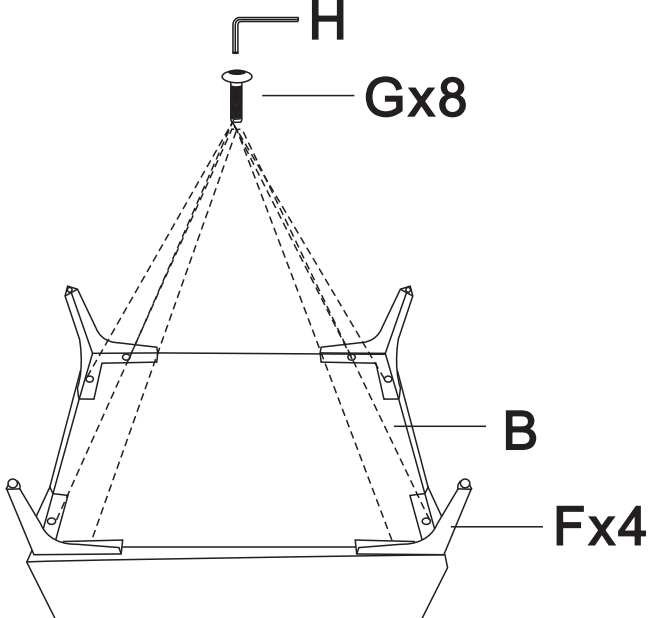
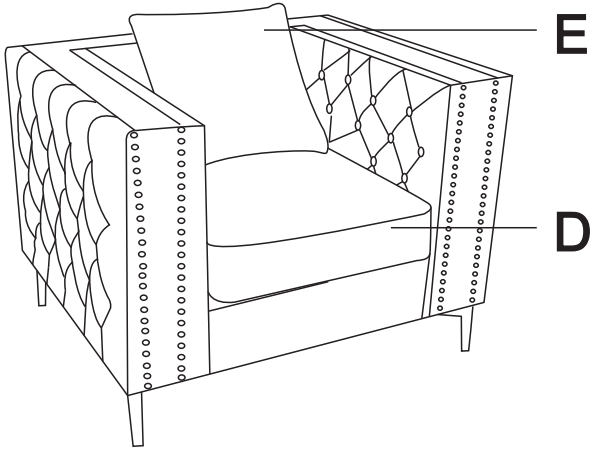


Assembly instruction

Ax1  C2	Bx1  C2	Cx1 (LxR)  C1	Dx1  C2
Ex1  C2	Fx4  C2	Gx8  C2	Hx1  C2

Note: Put all the screws into the holes site, And then tighten them. Don't tighten one by one

1.  Diagram showing the backrest assembly (A) and base (B) with clips being inserted into the base.	2.  Diagram showing the side panels (C) being attached to the base (B) and backrest (A) using clips.
3.  Diagram showing the leg casters (F) being attached to the base (B) using screws (G).	4.  Diagram showing the final assembled chair with the seat cushion (D) and backrest (E) in place.