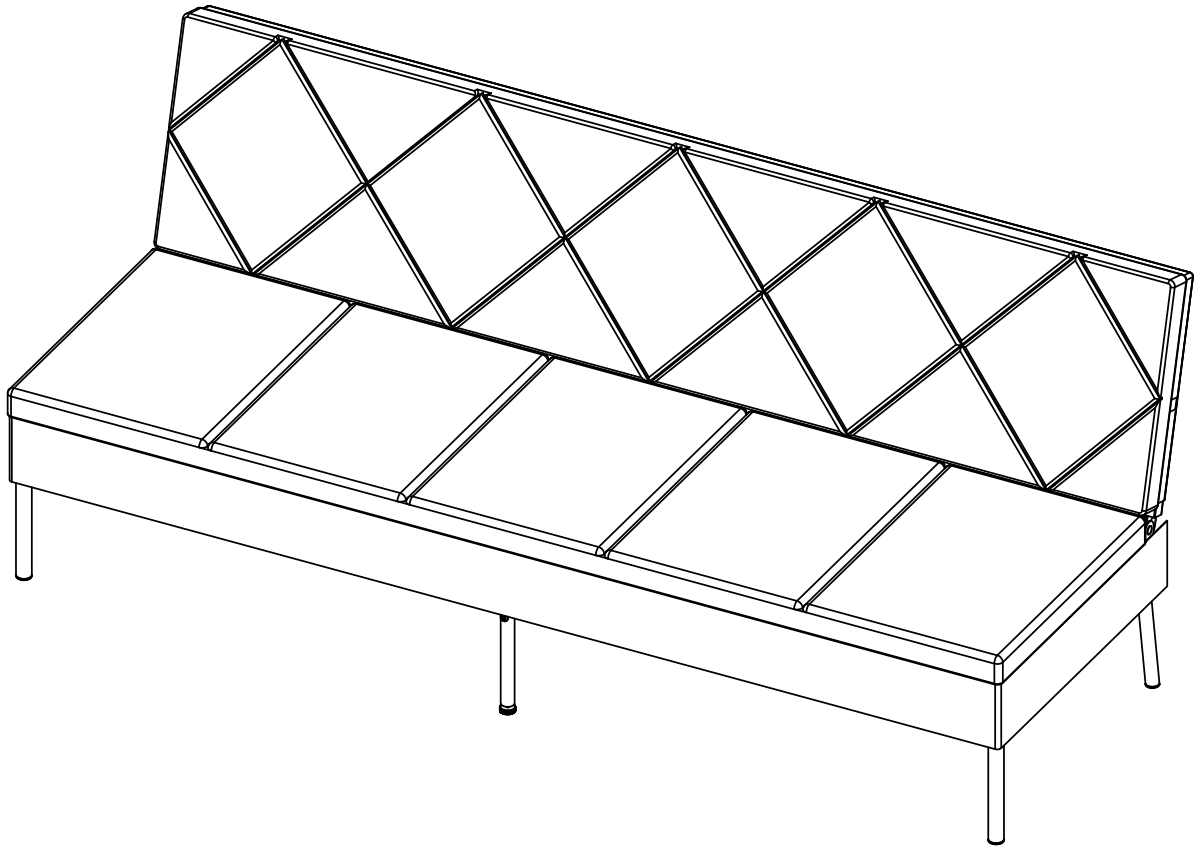


SOFA BED

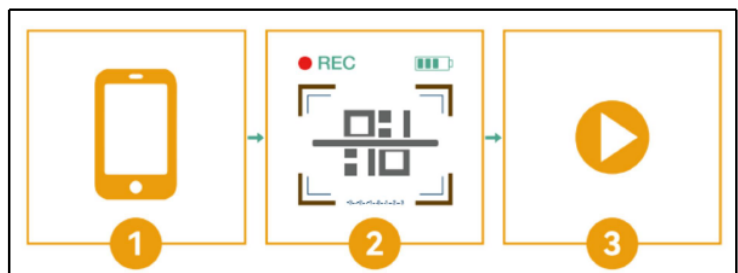
ASSEMBLY INSTRUCTIONS

MODEL NO. : RYS 128 B



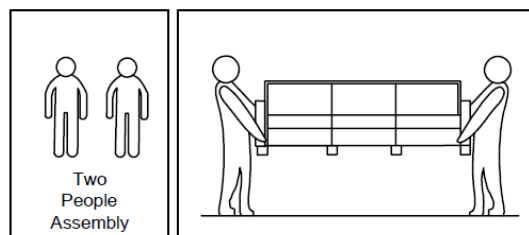
INSTALLATION VIDEO

Please scan the QR code with cell phone camera for Installation Video.
If the QR code is broken, please contact us to get installation video.

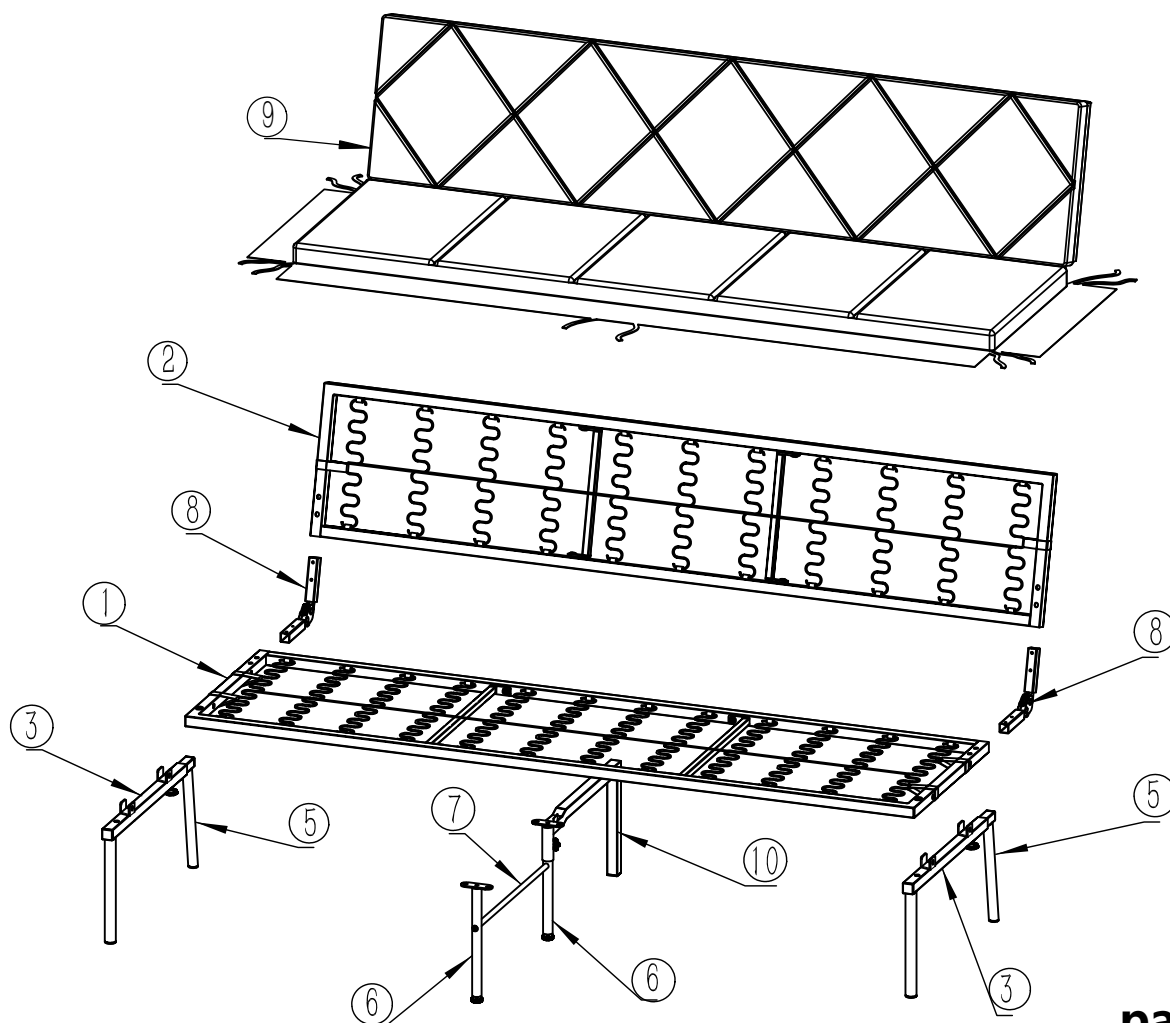


Thanks for your purchasing.

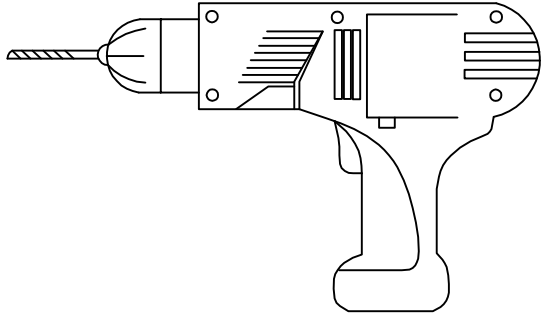
- Please read the instruction completely before assembly.
- Please do not throw away any of the packaging or the instruction until you have all the components and when the furniture is fully assembled.
- Considering the size and weight of the sofa, we recommend two adults to assemble the sofa, on a carpeted or padded area.
- Keep all components and packaging out of reach of children or animals to avoid risk of choking or suffocation.
- Please keep children away from plastic bag or any small pieces of stuff.
- Cushions should be regularly maintained for perfect use.
- 2 people to lift the sofa if you want to move it, do not push or pull directly



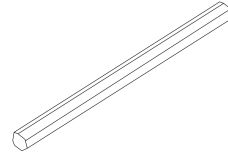
Components:



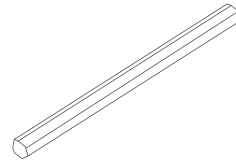
ASSEMBLY TOOLS REQUIRED



Electric Drill
(Not provide)

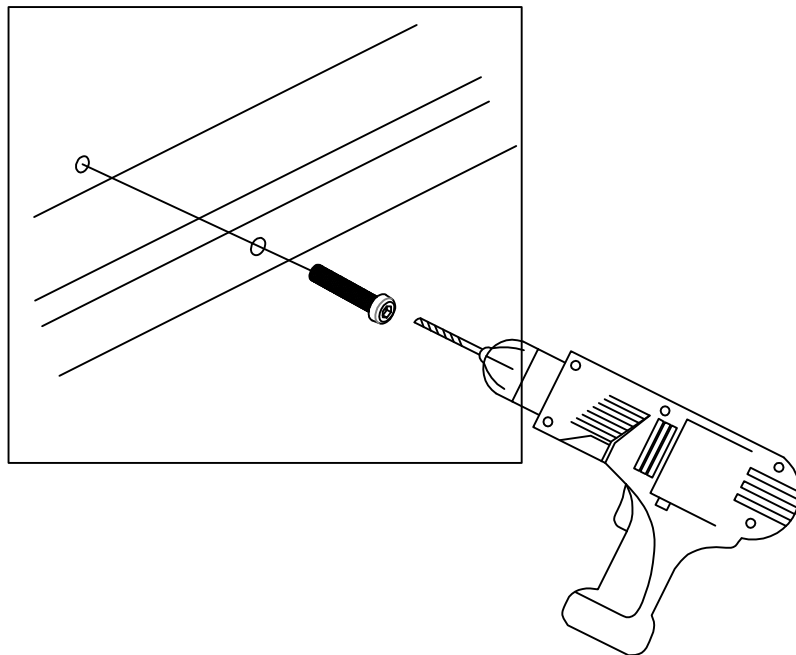


M4*60mm
Bit
(Include in hardware bag)

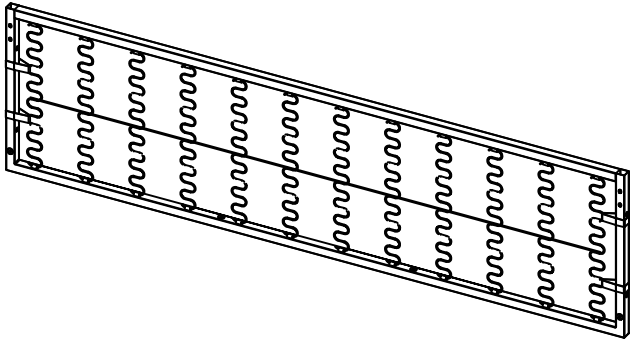


M5*60mm
Bit
(Include in hardware bag)

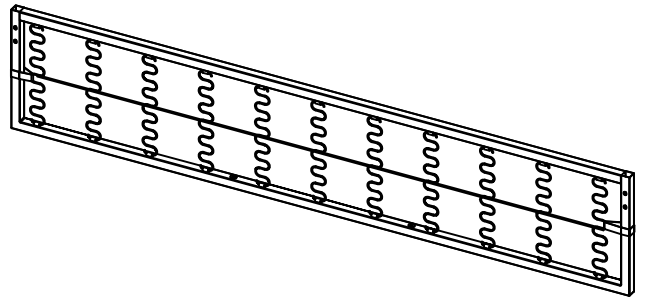
Electric Drill tool is not included.
Electric drill will improve your assembling efficiency.
You can use it if you have this tool,
DO NOT over drill to prevent from damaging screws and boards.



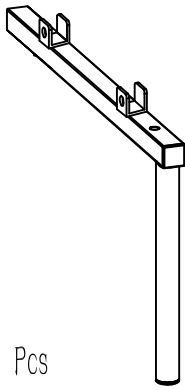
Part List :



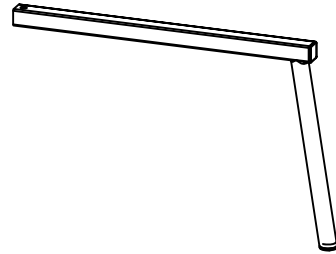
① x 1 Pc



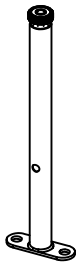
② x 1 Pc



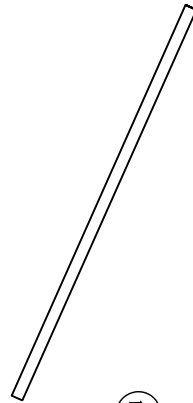
③ x 2 Pcs



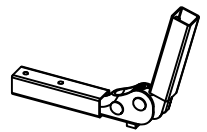
⑤ x 2 Pcs



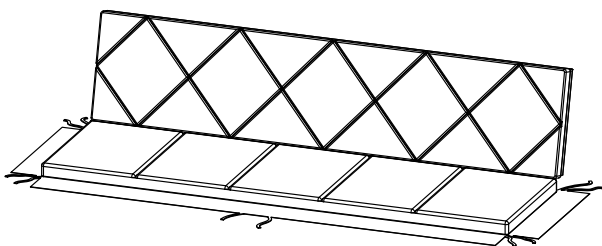
⑥ x 2 Pcs



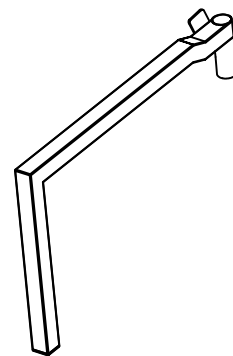
⑦ x 1 Pc



⑧ x 2 Pcs


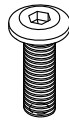

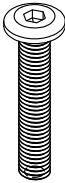
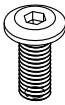

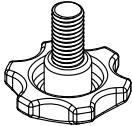






⑨ x 1 Pc



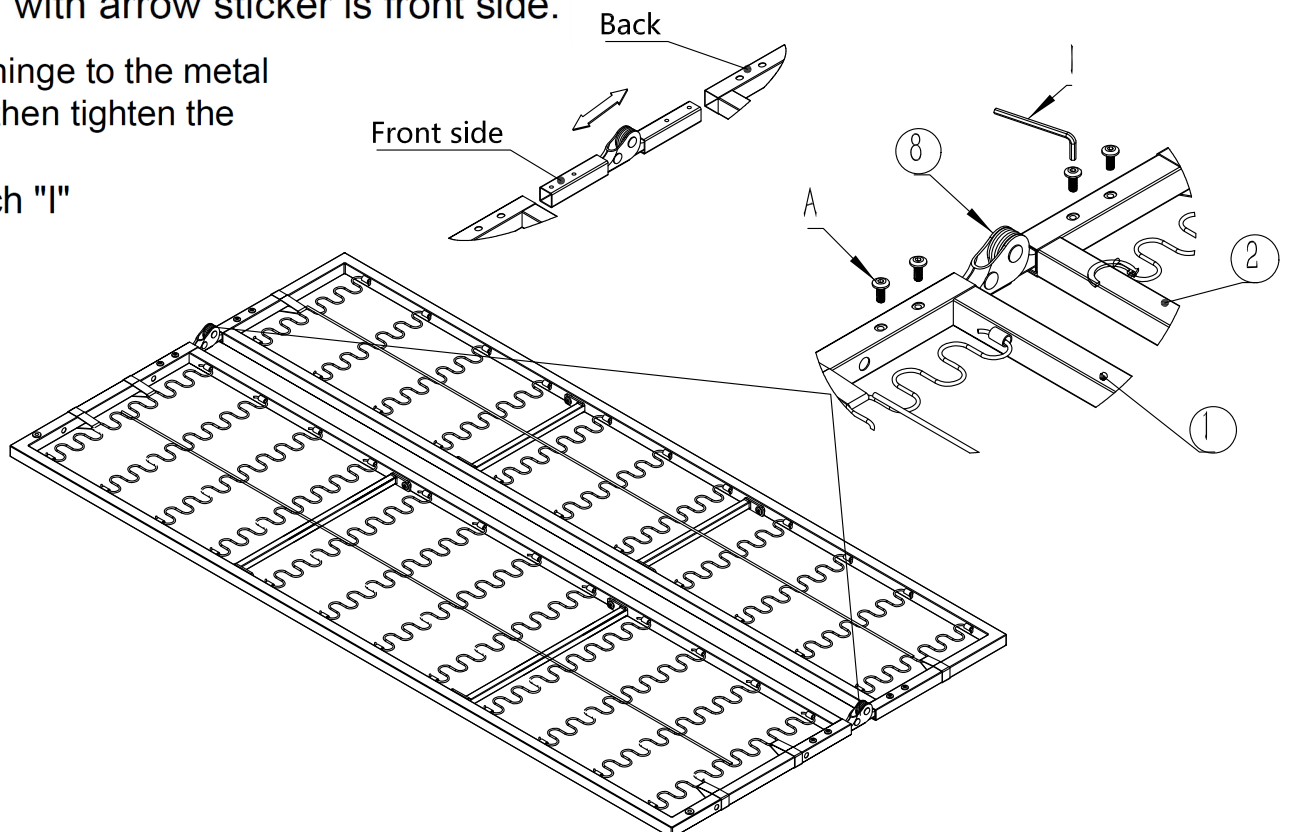
⑩ x 1 Pc

Hardware List :

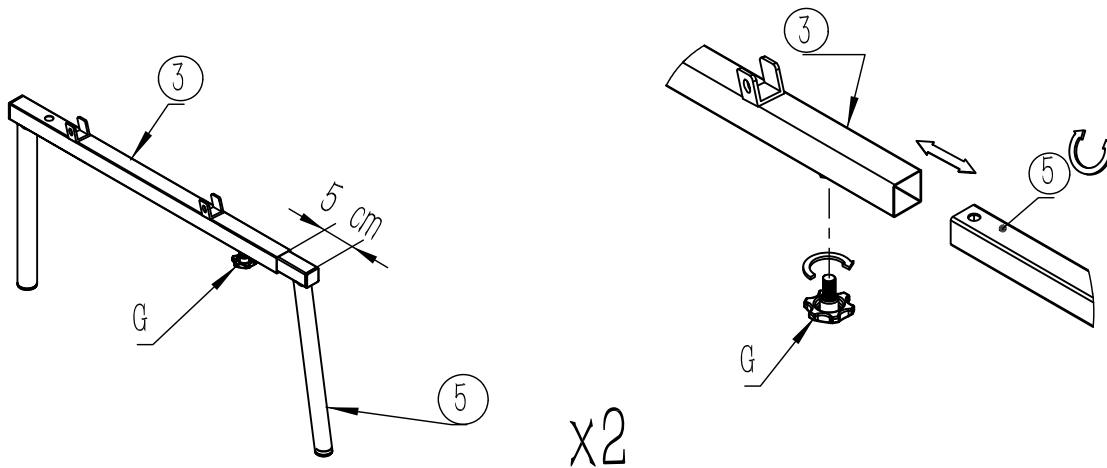
<p>A</p>  <p>M6*20mm 8 pcs</p>	<p>B</p>  <p>M8*25mm 4 pcs</p>	<p>C</p>  <p>M6*40mm 2 pcs</p>	<p>D</p>  <p>M8*35mm 2 pcs</p>
<p>E</p>  <p>M8*20mm 4 pcs</p>	<p>F</p>  <p>M8*15mm 4pcs</p>	<p>G</p>  <p>M8*20mm 3pcs</p>	<p>H</p>  <p>SW5 2pcs</p>
<p>I</p>  <p>SW4 1 pc</p>	<p>J</p>  <p>M5*60mm 1pc</p>	<p>K</p>  <p>M4*60mm 1pc</p>	

Step 1 Assemble the hinges which with arrow sticker is front side.

Insert the hinge to the metal tube, and then tighten the screws "A" with wrench "I"



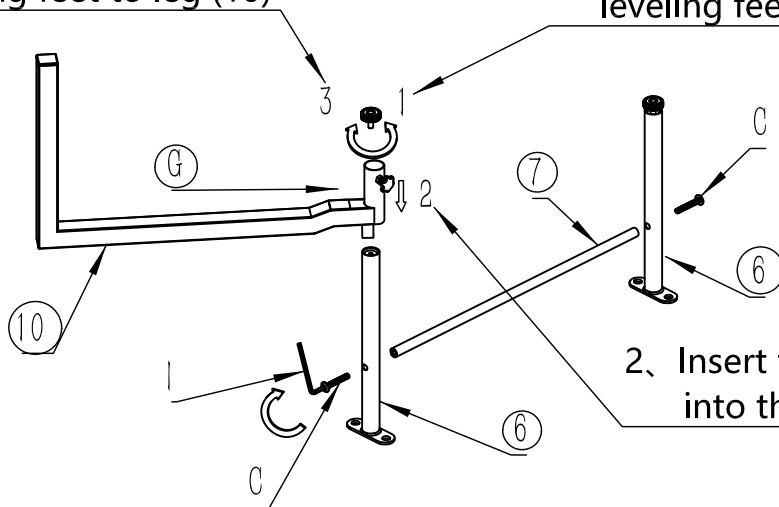
Step 2 Connect the front leg and back leg. Insert the square tube of back leg to the front leg, then tighten the screw G.



Step 3 Install the middle legs:

3. Install the adjustable leveling feet to leg (10)

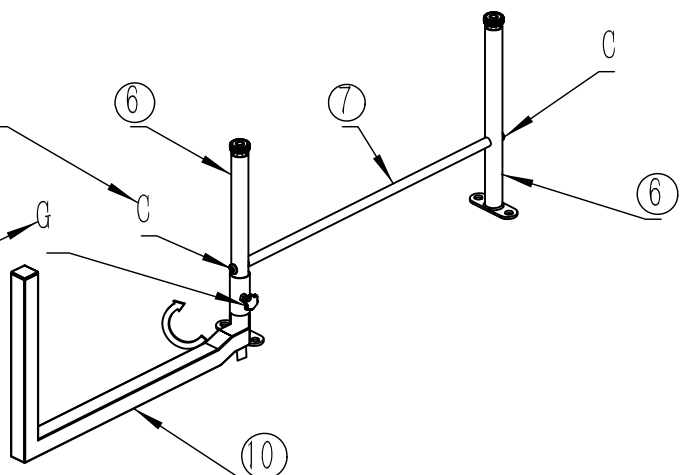
1. Disassemble the adjustable leveling feet from leg (6)



2. Insert the back leg (10) into this leg (6)

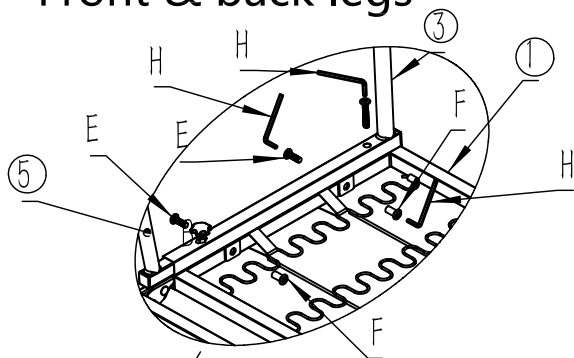
4. Install the metal tube (7) to middle legs (6)

5. Tighten the screw "G" to 85%. Then fold up the leg (10)

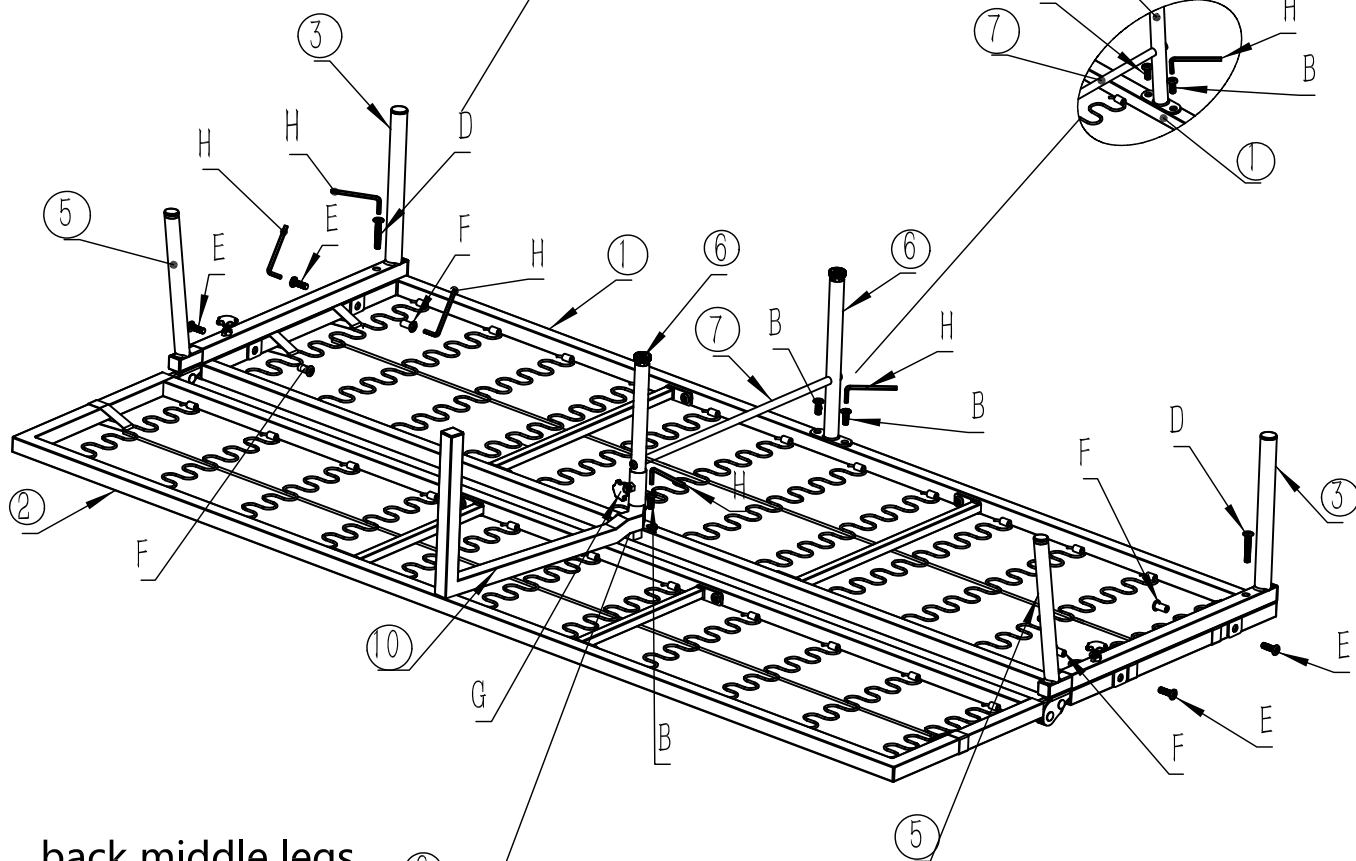
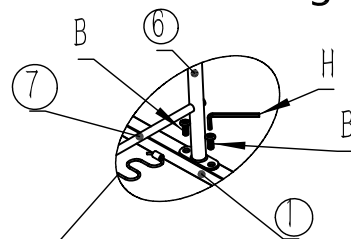


Step4 Install the legs to the sofa metal frame

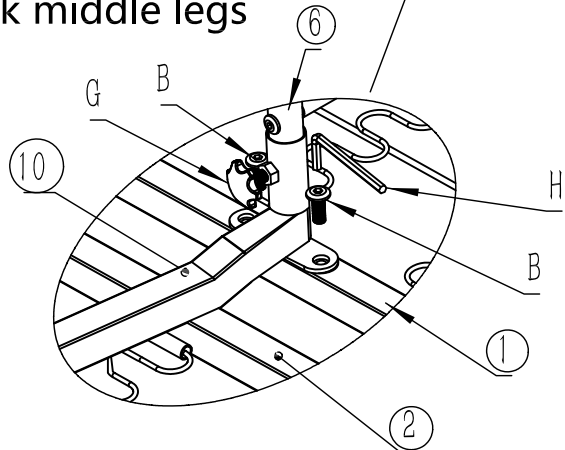
Front & back legs



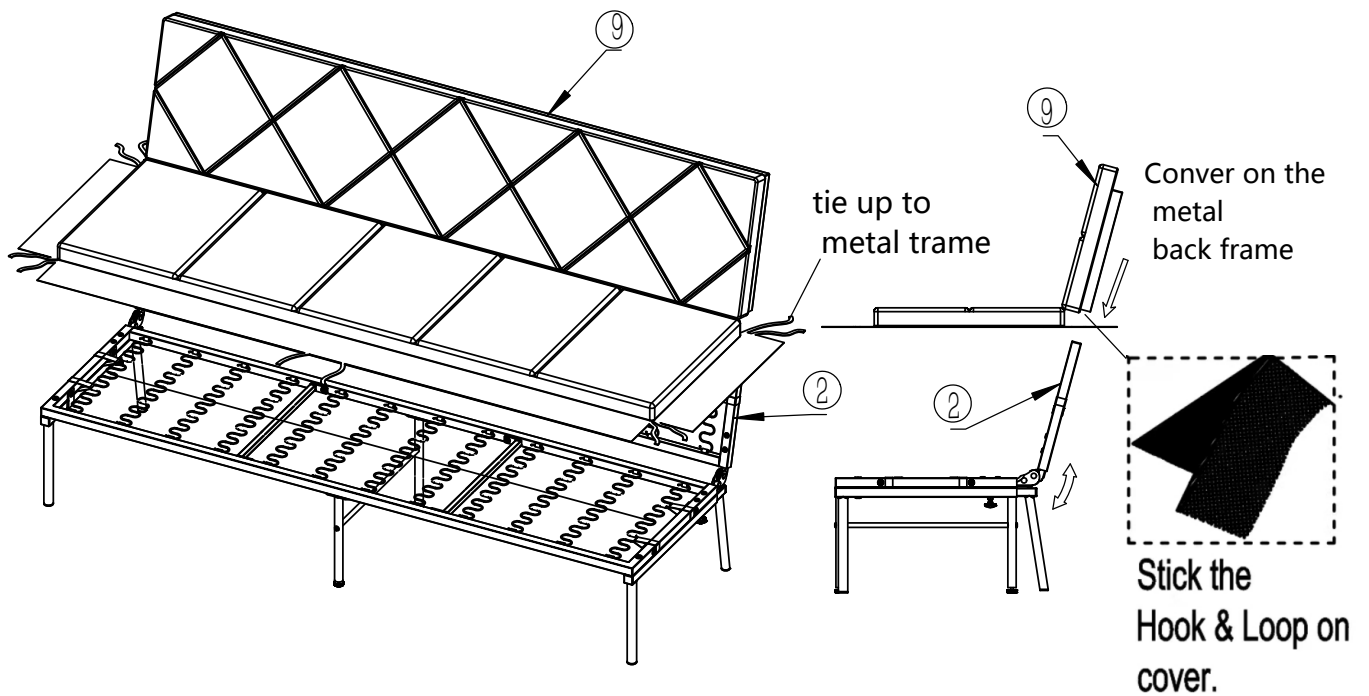
Middle legs



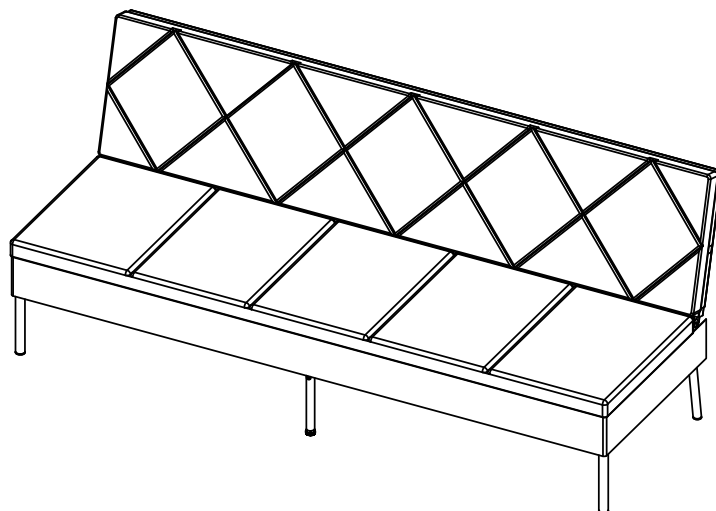
back middle legs



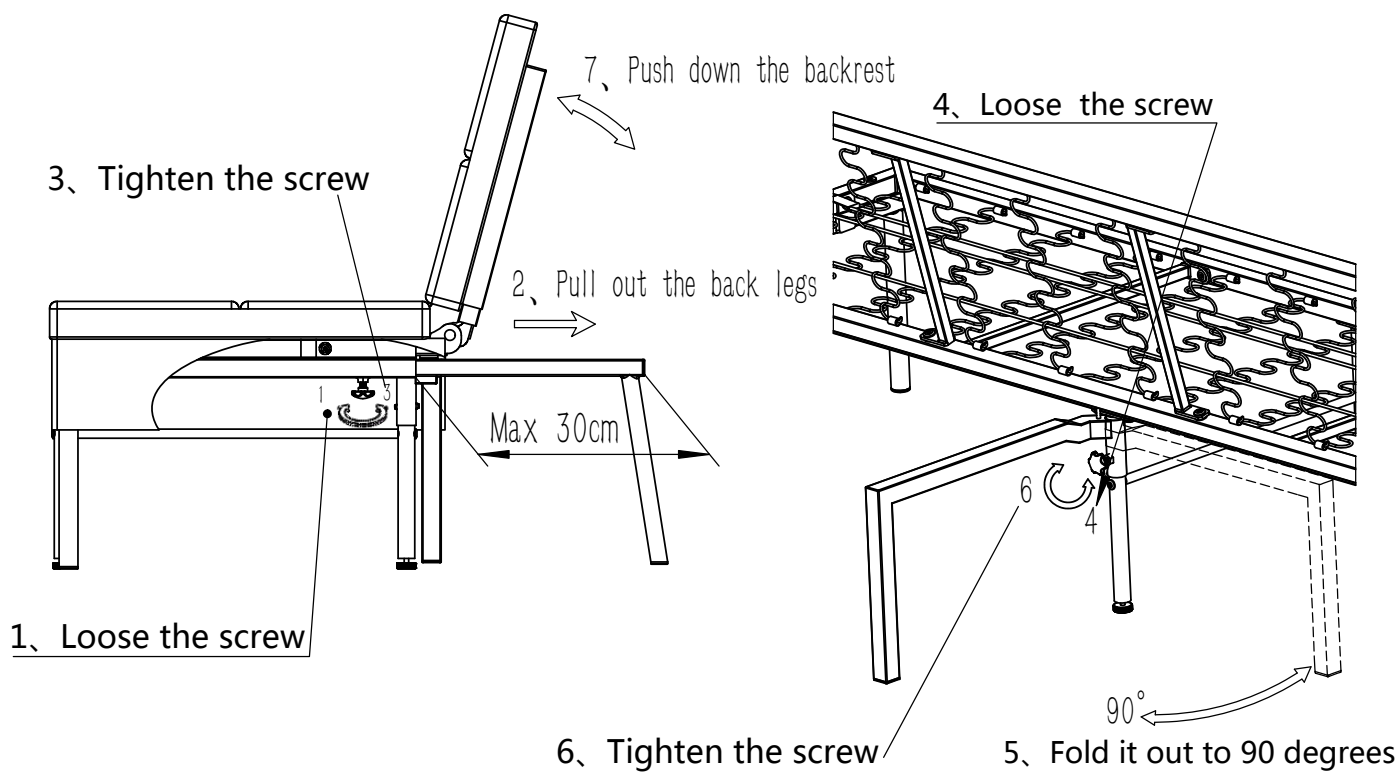
Step5 Cover on the metal back frame, and put the seat cushion flat, then tie up it to the metal frame.



Step6 Assembly is complete



Step7 Convert to sofa bed as per following steps.



The back has 5 angles for adjustable.
The back must be adjusted more than 90° to lie flat.

