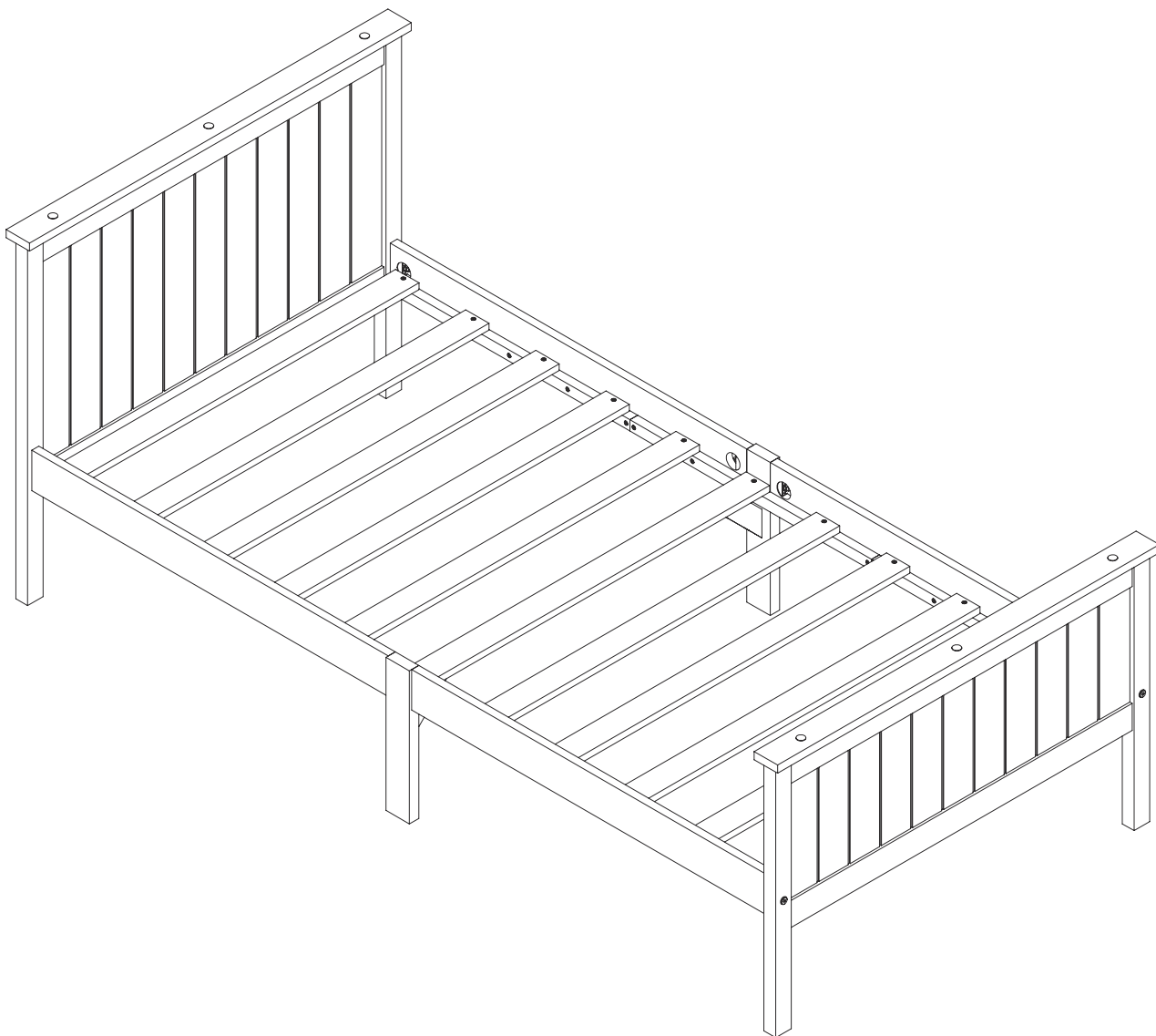

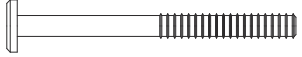



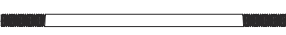








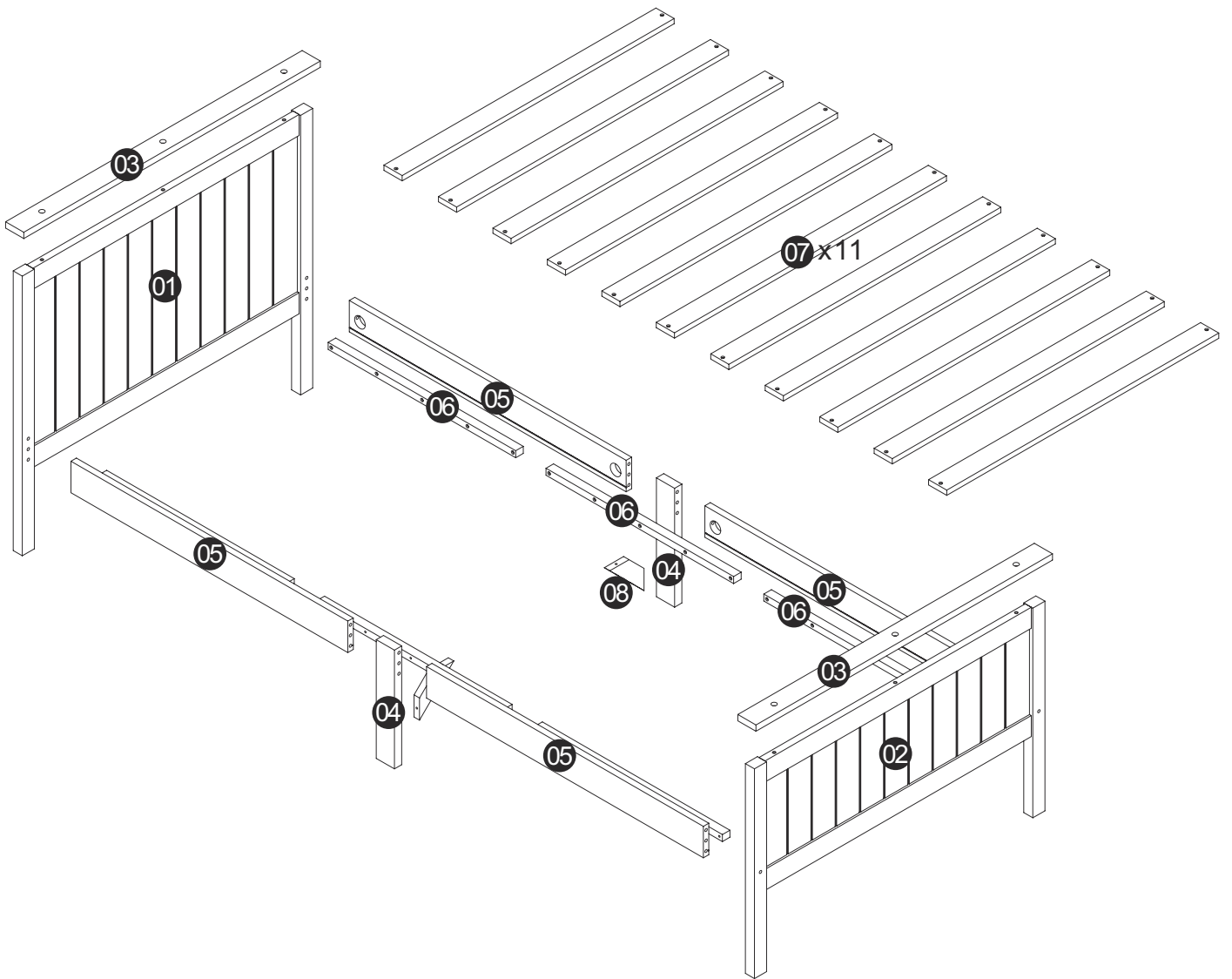
Life Carver Single Bed



A	  M6x70	4
B	  M6x25	6
C	 $\Phi 8 \times 30$	16
D		2


E		8
F	  $\Phi 4 \times 30$	56
G		1
H		1
J		6

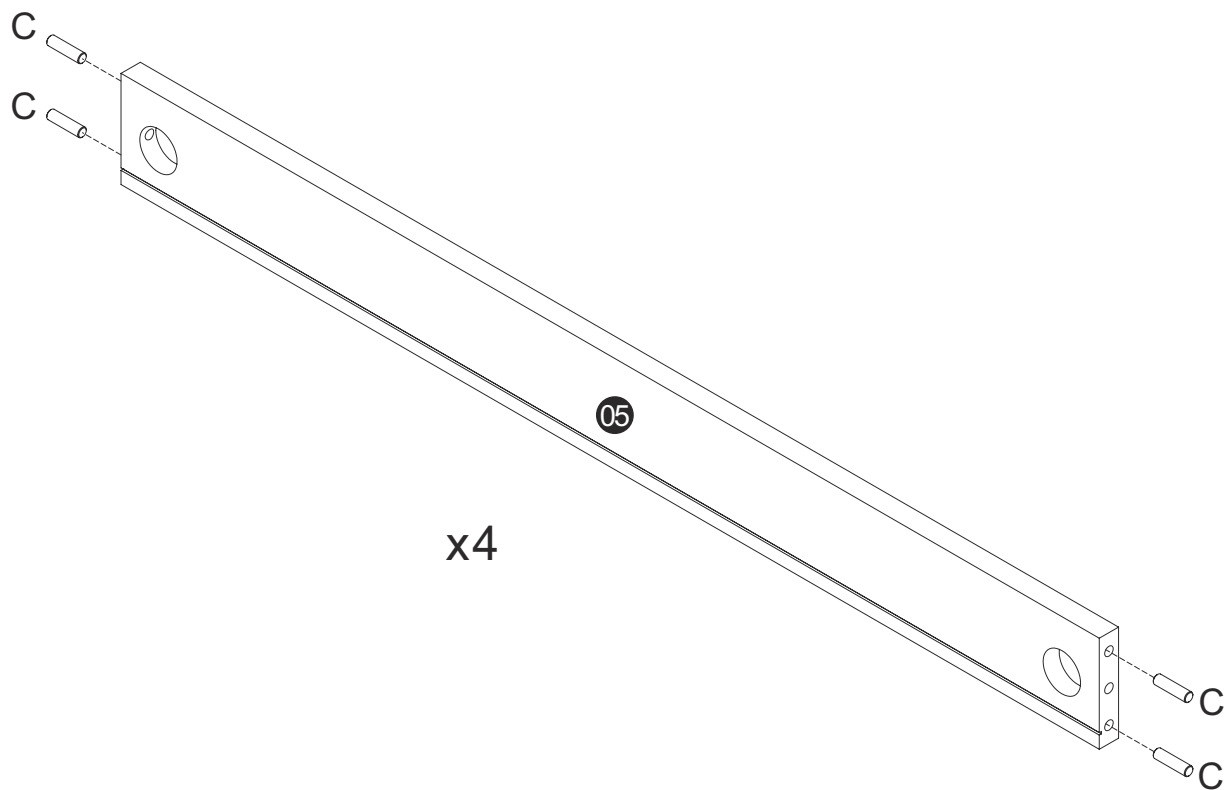
PARTS LIST




NO.	QTY	DESCRIPTION	NO.	QTY	DESCRIPTION
01	1	Bed head	05	4	Bed side
02	1	Bed tail	06	6	Bedside support
03	2	Head/Tail board	07	11	Bed slat
04	2	Side leg	08	2	Side support

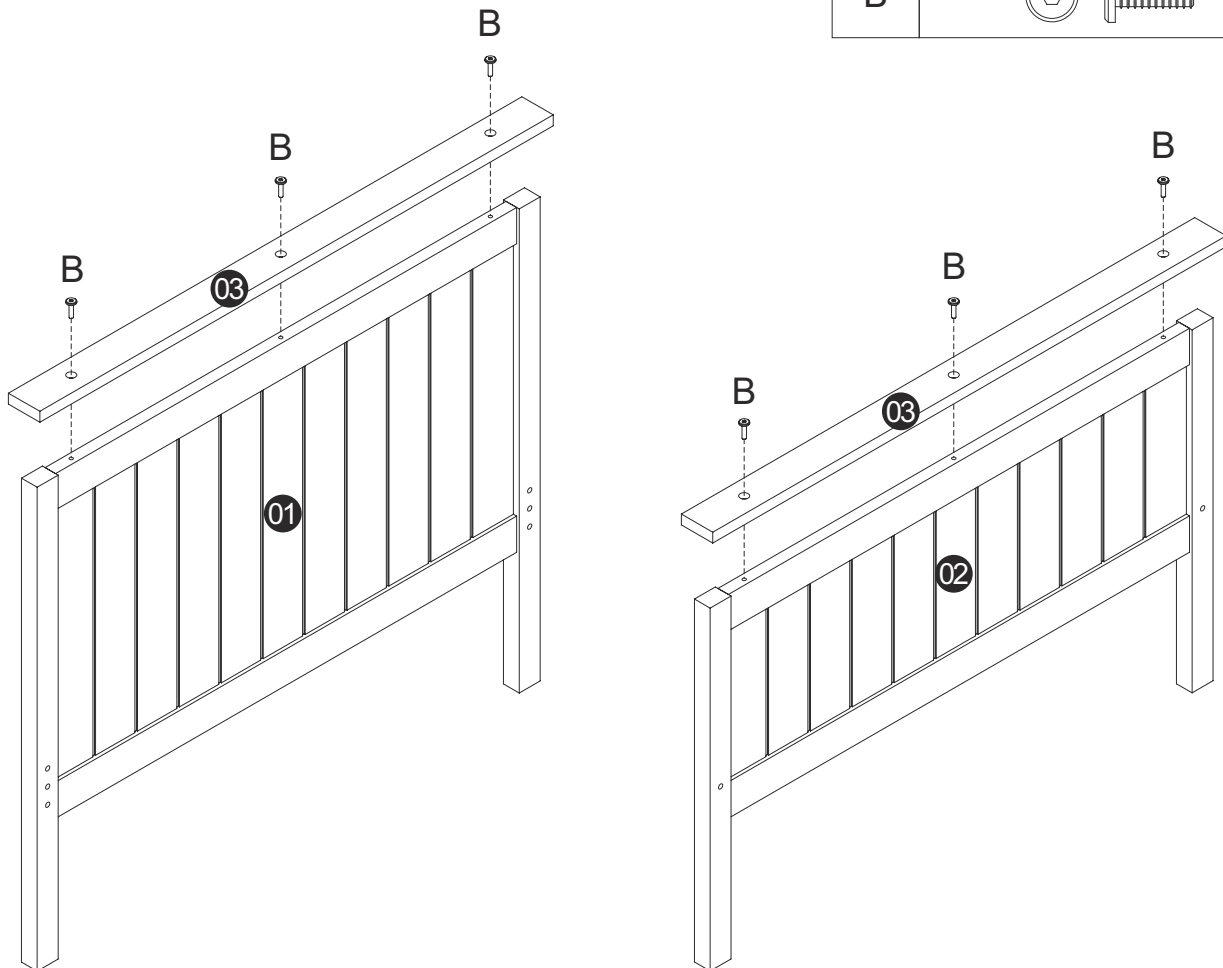
STEP 1

C		16
---	--	----

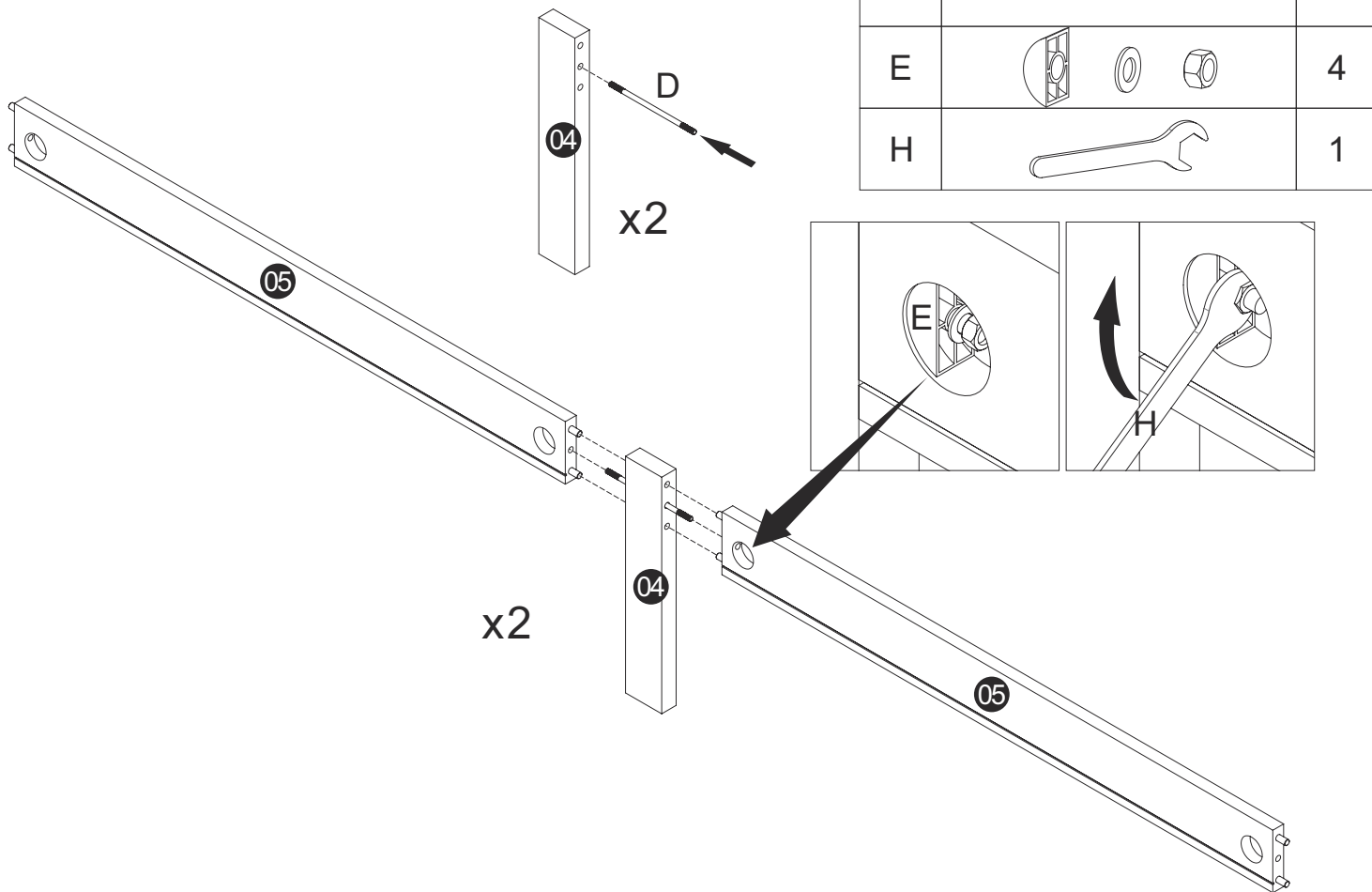


STEP 2

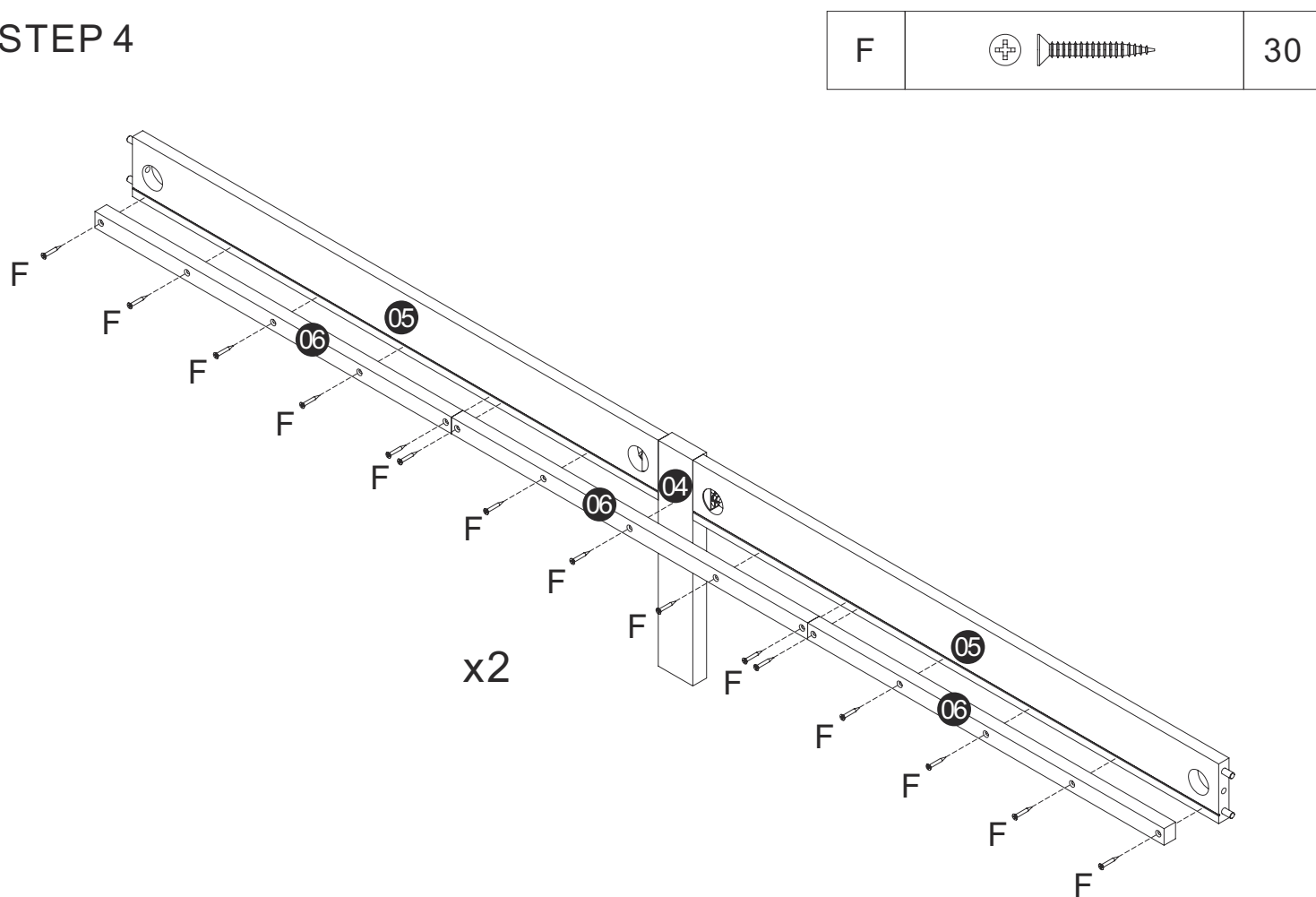
B		6
---	---	---



STEP 3




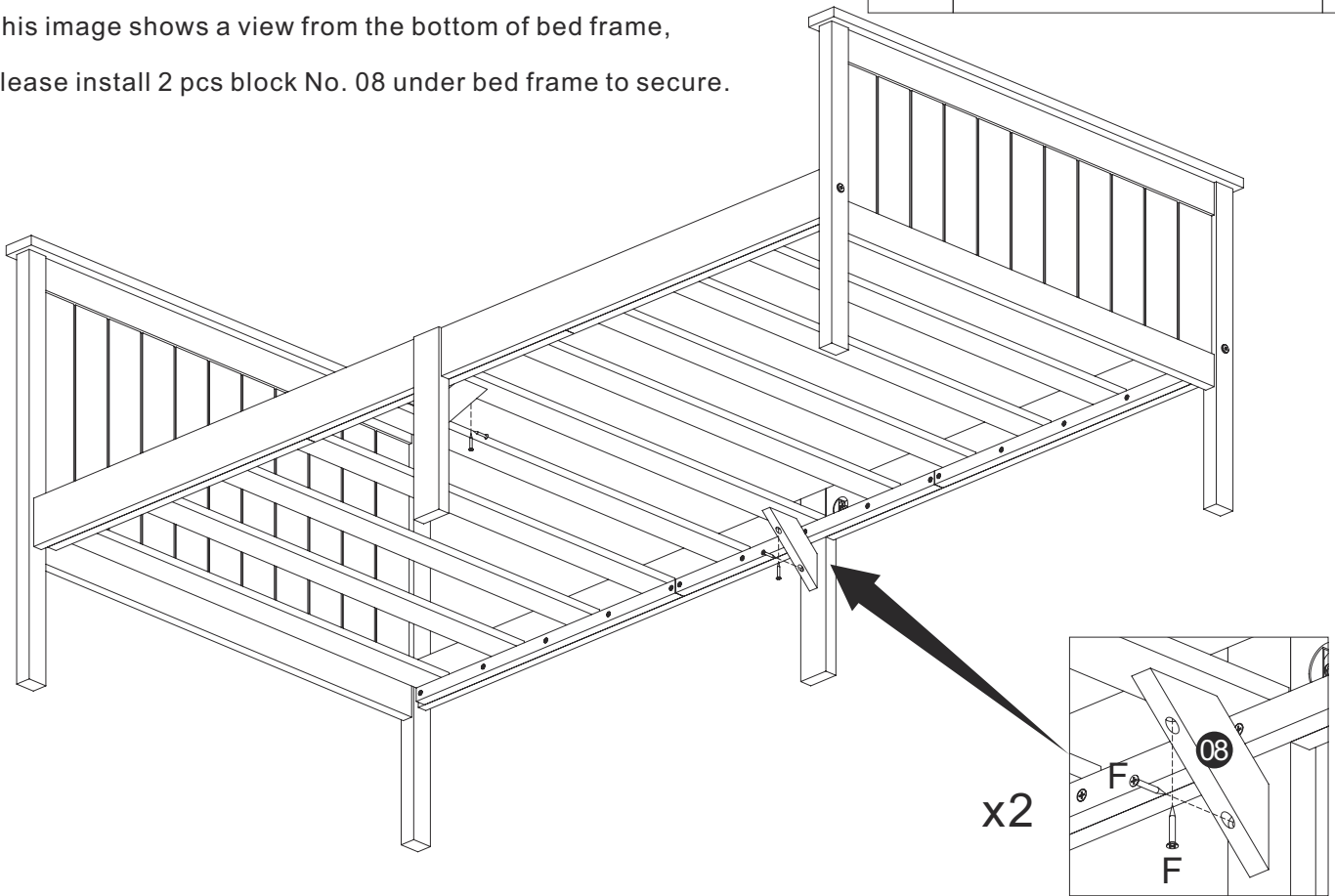
STEP 4




STEP 7

This image shows a view from the bottom of bed frame, please install 2 pcs block No. 08 under bed frame to secure.

F		4
---	--	---



STEP 8

J		6
---	---	---

